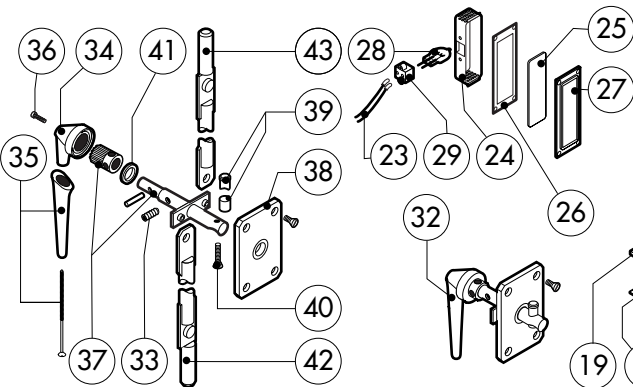
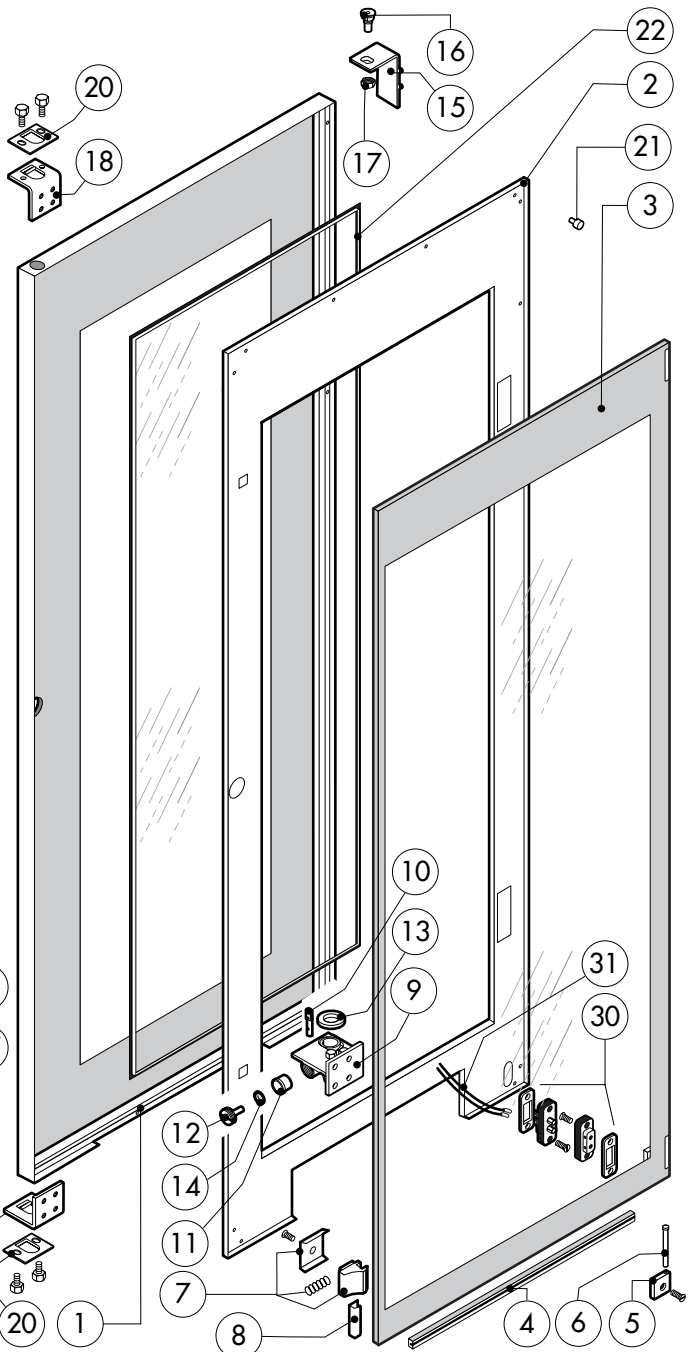
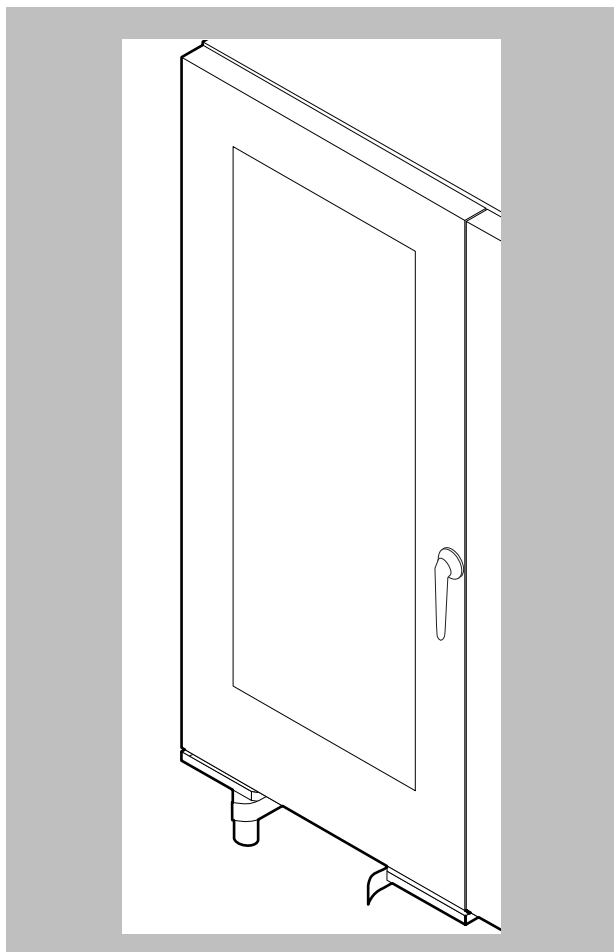


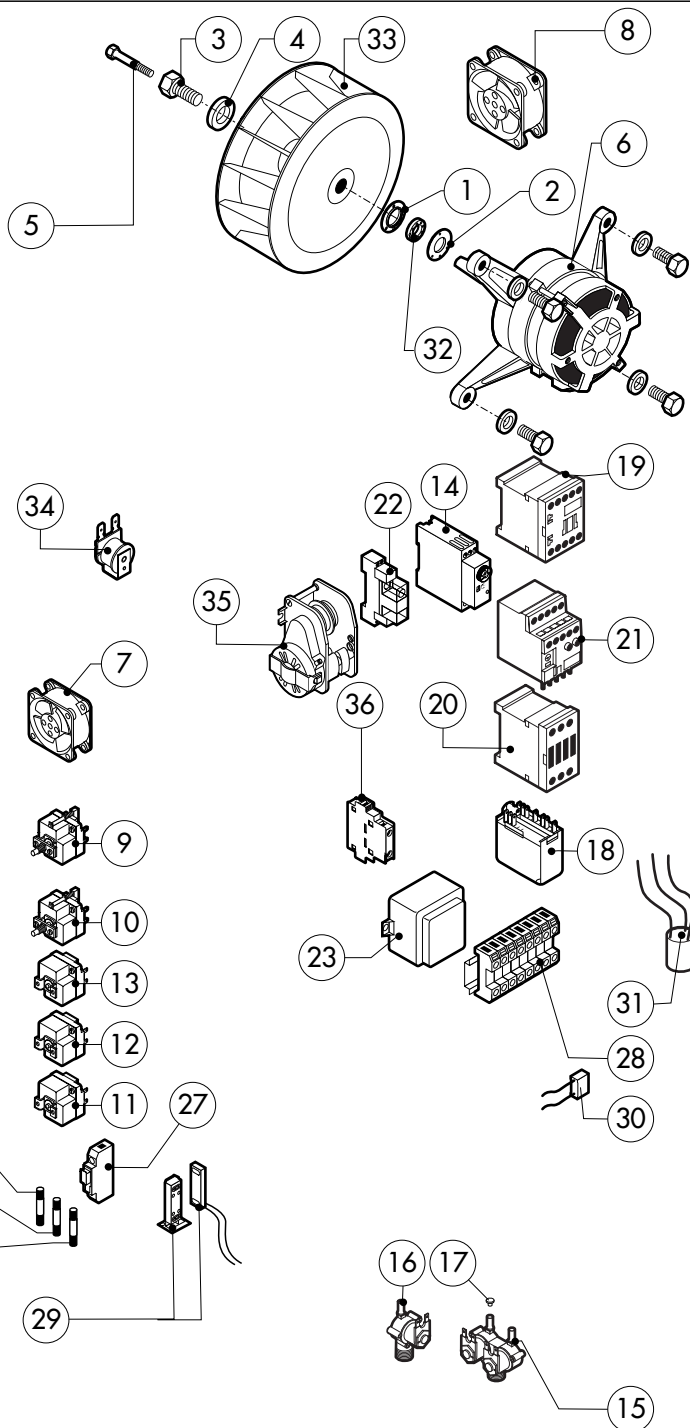
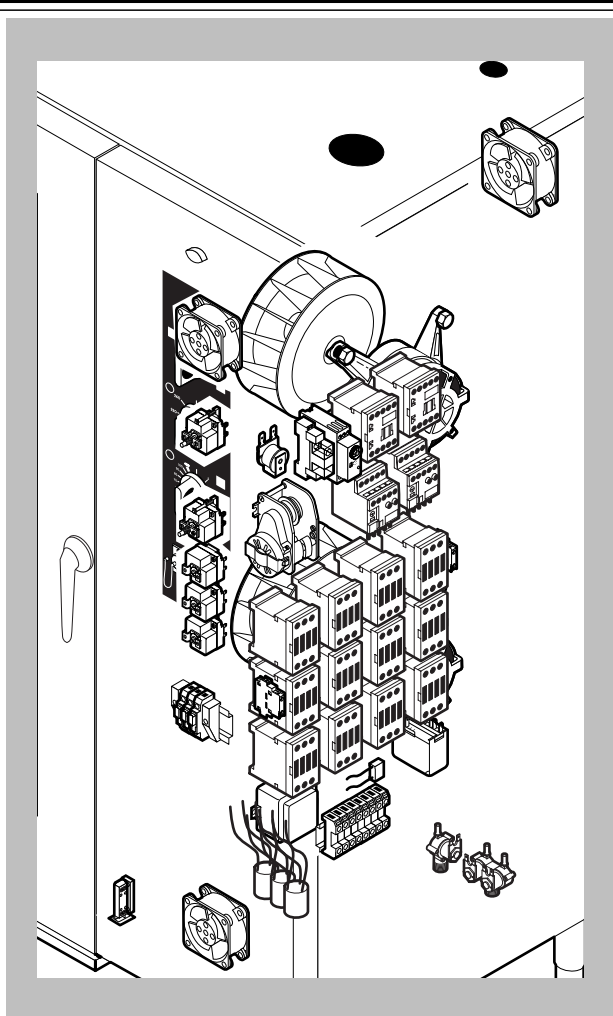
| POS. | CODE | PIECES | DESCRIPTION |
|------|-----------|--------|--------------------------------|
| 1 | R11100110 | 1 | DOOR ASSEMBLY |
| 2 | R11206081 | 1 | CONTROL PANEL |
| 3 | R11201970 | 1 | SPRITZER EXTENSION |
| 4 | R11200380 | 1 | SPRITZER UNION |
| 5 | R11206040 | 1 | COOKING CABINET ASSEMBLY |
| 6 | R11203150 | 1 | TOP FAN GUARD PANEL ASSEMBLY |
| 7 | R11206100 | 1 | LOWER FAN GUARD PANEL ASSEMBLY |
| 8 | R11206141 | 1 | RIGHT SIDE PANEL |
| 9 | R11206131 | 1 | LEFT SIDE PANEL |
| 10 | R11412130 | 1 | REAR PANEL |
| 11 | R11412650 | 1 | BACK COOLING BOX |
| 12 | R11206110 | 1 | COVER PANEL |
| 13 | R58003100 | 4 | FAN GUARD FASTENING SCREW |
| 14 | R70044140 | 1 | FRONT GASKET |
| 15 | R75300090 | 2 | FAN GUARD GRID Ø 350 |
| 16 | R69070020 | 4 | FOOT 1"1/2x130 |
| 17 | R69090090 | 2 | WHEEL |
| 18 | R69090100 | 2 | WHEEL WITH BRAKE |
| 19 | R10457840 | 1 | HANDLE FOR TROLLEY |

| POS. | CODE | PIECES | DESCRIPTION |
|------|-----------|--------|------------------|
| 20 | R11206490 | 1 | TRAY FOR TROLLEY |
| | | | |
| | | | |
| | | | |
| | | | |
| | | | |
| | | | |
| | | | |
| | | | |
| | | | |
| | | | |
| | | | |
| | | | |
| | | | |
| | | | |



| POS. | CODE | PIECES | DESCRIPTION |
|------|-----------|--------|--------------------------------|
| 1 | R11100180 | 1 | DOOR |
| 2 | R11205361 | 1 | INNER DOOR PANEL |
| 3 | R11100150 | 1 | INNER DOOR GLASS |
| 4 | R70044300 | 1 | GASKET FOR TROLLEY(0,7MT) |
| 5 | R58001760 | 2 | INNER GLASS SOLID HINGE |
| 6 | R58001770 | 2 | INNER GLASS HINGE PIN |
| 7 | R58001780 | 2 | INNER GLASS CATCH KIT |
| 8 | R11411860 | 2 | "C" PROFILE |
| 9 | R11205390 | 1 | LOWER DOOR HINGE WITH RETAINER |
| 10 | R58002540 | 1 | DOOR PIVOT SUNK KEY |
| 11 | R58002550 | 1 | DOOR RETAINER GUIDE SHOE |
| 12 | R58002560 | 1 | SCREW FOR LOWER DOOR HINGE |
| 13 | R58002570 | 1 | WASHER Ø 30/15x3 |
| 14 | R61620091 | 16 | BELLEVILLE WASHER Ø 14/6.4 |
| 15 | R11200560 | 1 | UPPER DOOR HINGE |
| 16 | R58002150 | 1 | HINGE PIN |
| 17 | R58004050 | 1 | NUT FOR UPPER DOOR HINGE |
| 18 | R11411520 | 1 | UPPER SQUARE FOR DOOR ROD |
| 19 | R11205400 | 1 | LOWER SQUARE FOR DOOR ROD |
| 20 | R10207680 | 2 | DOOR ROD ADJUSTABLE PLATE |
| 21 | R70050100 | 9 | GLASS SILICON SPACERS |
| 22 | R70044160 | 1 | GLASS GASKET (3,72MT) |

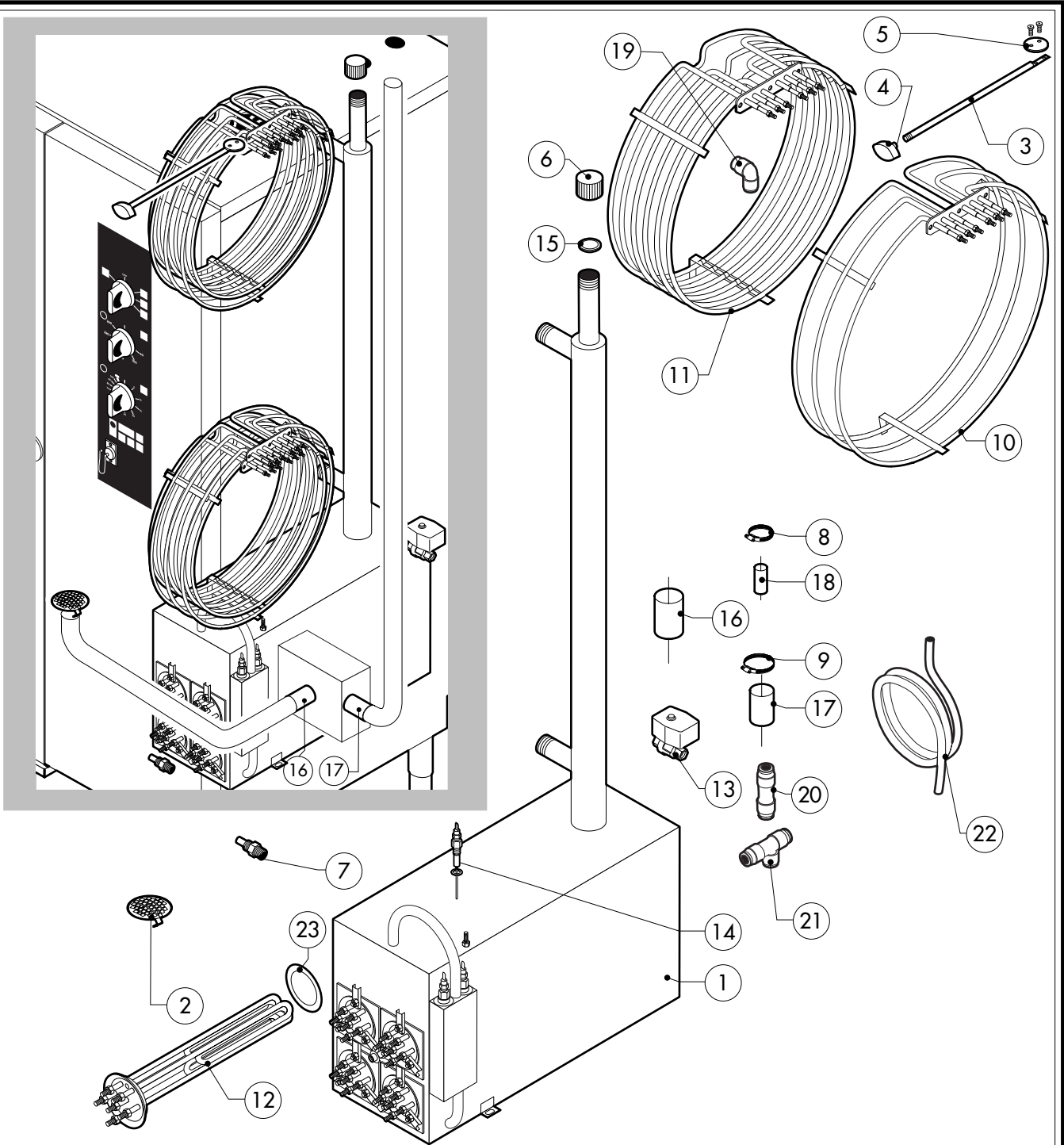
| POS. | CODE | PIECES | DESCRIPTION |
|------|-----------|--------|--------------------------|
| 23 | R66110320 | 1 | DOOR LAMPS CABLE SET |
| 24 | R11401440 | 2 | LAMP COVER |
| 25 | R71500150 | 2 | GLASS LAMP |
| 26 | R70044200 | 2 | GLASS LAMP |
| 27 | R11401450 | 2 | GLASS HOLDER LAMP FLANGE |
| 28 | R65270020 | 2 | LIGHT 20W 12V G4 |
| 29 | R65270450 | 2 | LIGHT SOCKET |
| 30 | R65260750 | 1 | LAMPS CONTACT BLOCK |
| 31 | R66110300 | 1 | LAMPS CONTACT CABLE SET |
| 32 | R11100310 | 1 | DOOR HANDLE ASSEMBLY |
| 33 | R61090052 | 1 | GRUB SCREW M6x16 |
| 34 | R69010600 | 1 | DOOR HANDLE |
| 35 | R69010610 | 1 | HANDLE |
| 36 | R61030601 | 1 | CYLINDRICAL HEAD SCREW |
| 37 | R11205340 | 1 | DOOR HANDLE PIN |
| 38 | R03200970 | 1 | DOOR LOCK REAR FLANGE |
| 39 | R58004781 | 1 | DOOR HANDLE HOOK |
| 40 | R61040272 | 1 | DOOR HANDLE HOOK SCREW |
| 41 | R61420021 | 1 | ELASTIC WASHER |
| 42 | R11205381 | 2 | LOWER DOOR ROD |
| 43 | R11205370 | 1 | UPPER DOOR ROD |



| POS. | CODE | PIECES | DESCRIPTION |
|------|------------|--------|--|
| 1 | R58003840 | 2 | MOTOR GASKET BRASS FLANGE |
| 2 | R58003850 | 2 | MOTOR GASKET BRASS COUNTER FLANGE |
| 3 | R58004000 | 2 | FAN SCREW M12x1.5 SX |
| 4 | R58004010 | 2 | FAN WASHER Ø 30/12.5 |
| 5 | R61020562 | 2 | FAN SCREW TE A2 M6x55 |
| 6 | *R65040061 | 2 | MOTOR HP 1 F3 P4 200-480V KIT |
| 7 | R65060050 | 2 | COMPONENTS VENTILATION MOTOR Ø 120 |
| 8 | R65060060 | 1 | COMPONENTS VENTILATION MOTOR Ø 150 |
| 9 | R65070350 | 1 | CHAMBER SAFETY THERMOSTAT |
| 10 | R65070081 | 1 | STEAM GENERATOR SAFETY THERMOSTAT |
| 11 | R65070100 | 1 | THERMOSTAT 55°C |
| 12 | R65070165 | 1 | THERMOSTAT 65°C |
| 13 | R65070240 | 1 | THERMOSTAT 70°C |
| 14 | R65090450 | 1 | S.GENERATOR DRAIN TIMER |
| 15 | R65110210 | 1 | SOLENOID VALVE 220V 50HZ WITH FLOW REDUCER |
| 16 | R65110200 | 1 | SOLENOID VALVE 220V 50HZ |
| 17 | R65110500 | 1 | 10 LT/H WATER FLOW REDUCER |
| 18 | R65120010 | 1 | LEVEL REGULATOR |
| 19 | *R65140380 | 2 | CONTACTOR 3RT1016-1AP02 240V |

| POS. | CODE | PIECES | DESCRIPTION |
|------|------------|--------|--|
| 20 | *R65140400 | 12 | CONTACTOR 3RT1025-1AL20 240V |
| 21 | *R65160580 | 2 | THERMIC PROTECTION 3RU1116-1CB0 1,8-2,5A |
| 22 | R65170050 | 1 | RELAY 4052 240V AC 10A |
| 23 | R65180430 | 1 | TRANSFORMER 40VA |
| 24 | R65200120 | 1 | FUSE 0.1A |
| 25 | R65200200 | 1 | FUSE 2A |
| 26 | R65200110 | 1 | FUSE 0.25A (T) |
| 27 | R65210020 | 3 | FUSE CARRIER |
| 28 | R65220130 | 1 | TERMINAL BOARD |
| 29 | R65265100 | 1 | DOOR SWITCH |
| 30 | *R65280200 | 3 | INTERFERENCE SUPPRESSOR |
| 31 | *R65280130 | 1 | INTERFERENCE SUPPRESSOR |
| 32 | R70020050 | 2 | MOTOR GASKET |
| 33 | R75400440 | 2 | FAN Ø 350x114/12 50HZ P.D. KIT |
| 34 | R65330010 | 1 | BUZZER |
| 35 | R65090190 | 1 | REVERSING SWITCH 8' |
| 36 | *R65140430 | 2 | AUX.CONTACT 1L+1R 3RH1921-1FA11 |

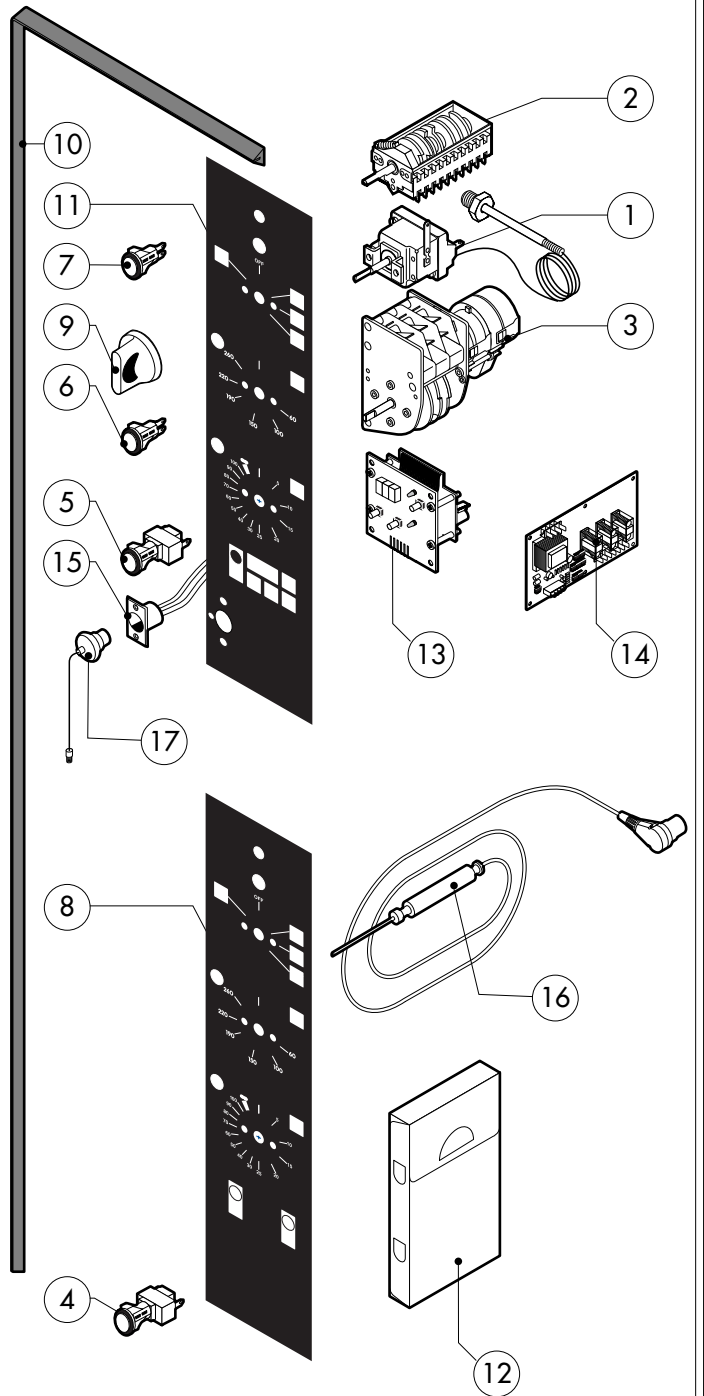
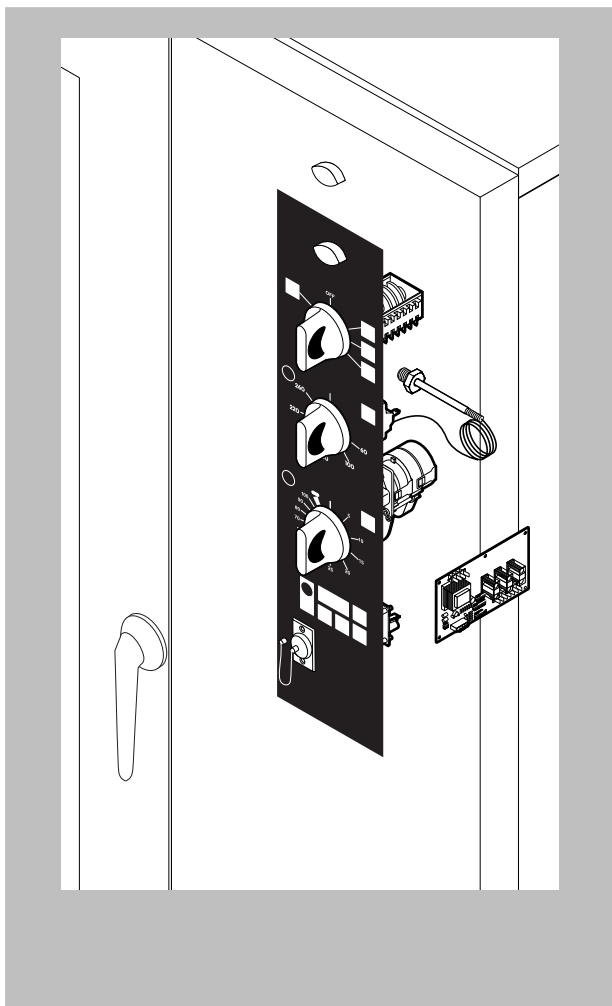
*COMPONENT SUBMITTED TO CHANGEMENTS CAUSED BY TENSION DIFFERENT FROM THE STANDARD (3N AC400V 50HZ)



| POS. | CODE | PIECES | DESCRIPTION |
|------|------------|--------|--|
| 1 | R11100490 | 1 | STEAM GENERATOR ASSEMBLY |
| 2 | R10201710 | 1 | DRAIN FILTER |
| 3 | R58003760 | 1 | CHAMBER VENT ROD |
| 4 | R69010410 | 1 | STEAM OUTLET KNOB |
| 5 | R11406870 | 1 | CHAMBER VENT PLATE Ø 46 |
| 6 | R58005680 | 1 | STEAM GENERATOR DESCALING CAP 1"1/4 F |
| 7 | R58006140 | 2 | STEAM QUENCHING NOZZLE Ø 1,5 |
| 8 | R61630011 | 2 | METAL CLAMPS 12-22/9 |
| 9 | R61630031 | 6 | METAL CLAMPS 40-60/9 |
| 10 | *R65011250 | 2 | CHAMBER HEATING ELEMENT 15000W |
| 11 | *R65011310 | 2 | CHAMBER HEATING ELEMENT 15000W |
| 12 | *R65020420 | 4 | STEAM GENERATOR HEATING ELEMENT 15000W |
| 13 | R65110560 | 1 | STEAM GENERATOR DRAIN MOTORIZED VALVE |
| 14 | R65320010 | 2 | STEAM GENERATOR LEVEL PROBE |
| 15 | R70050040 | 1 | STEAM GENERATOR CAP GASKET |
| 16 | R70060050 | 1 | SILICON COUPLING Ø 60 |
| 17 | R70060040 | 2 | SILICON COUPLING Ø 50 |
| 18 | R70060080 | 1 | SILICON COUPLING Ø 13 |
| 19 | R62090478 | 10 | ELBOW MIDLING PIPE FITTING D.10 |

| POS. | CODE | PIECES | DESCRIPTION |
|------|-----------|--------|---|
| 20 | R62090458 | 2 | STRAIGHT MIDLING PIPE FITTING D.10 |
| 21 | R62090468 | 1 | **T* MIDLING PIPE FITTING D.10 |
| 22 | R70070050 | 1 | PE D.10 MM X7 WATER FLEXIBLE PIPE (3 MT LONG) |
| 23 | R70045010 | 4 | STEAM GENERATOR HEATING ELEMENT GASKET |
| | | | |
| | | | |
| | | | |
| | | | |
| | | | |
| | | | |
| | | | |
| | | | |
| | | | |
| | | | |
| | | | |
| | | | |
| | | | |
| | | | |
| | | | |
| | | | |
| | | | |
| | | | |
| | | | |
| | | | |
| | | | |

*COMPONENT SUBMITTED TO CHANGEMENTS CAUSED BY TENSION DIFFERENT FROM THE STANDARD [3N AC400V 50HZ]



| POS. | CODE | PIECES | DESCRIPTION |
|------|-----------|--------|---|
| 1 | R65070360 | 1 | CABINET THERMOSTAT 0/300°C |
| 2 | R65080020 | 1 | MAIN SELECTOR SWITCH |
| 3 | R65090200 | 1 | TIMER |
| 4 | R65260600 | 1 | SWITCH |
| 5 | R65260610 | 1 | HUMIDIFIER PUSH BUTTON |
| 6 | R65270150 | 2 | ORANGE INDICATING LIGHT |
| 7 | R65270160 | 1 | GREEN INDICATING LIGHT |
| 8 | R67012950 | 1 | LAINOX PLATE |
| 9 | R69030150 | 3 | KNOB |
| 10 | R70044290 | 1 | CONTROL PANEL GASKET (2,21 MT LONG) |
| 11 | R67012960 | 1 | LAINOX PLATE |
| 12 | R86020420 | 1 | CORE TEMPERATURE PROBE BOX |
| 13 | R65300540 | 1 | CONTROL PANEL P.C. BOARD |
| 14 | R65300490 | 1 | RELAYS P.C. BOARD |
| 15 | R65320920 | 1 | CORE TEMPERATURE PROBE FEMALE CONNECTOR |
| 16 | R65320900 | 1 | CORE TEMPERATURE PROBE |
| 17 | R65321020 | 1 | COVER FOR FEMALE CONNECTOR |

| POS. | CODE | PIECES | DESCRIPTION |
|------|------|--------|-------------|
| | | | |
| | | | |
| | | | |
| | | | |
| | | | |
| | | | |
| | | | |
| | | | |
| | | | |
| | | | |
| | | | |
| | | | |
| | | | |
| | | | |
| | | | |
| | | | |
| | | | |
| | | | |
| | | | |
| | | | |
| | | | |
| | | | |