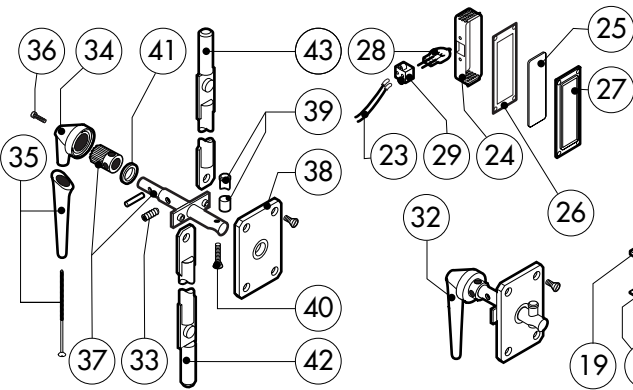
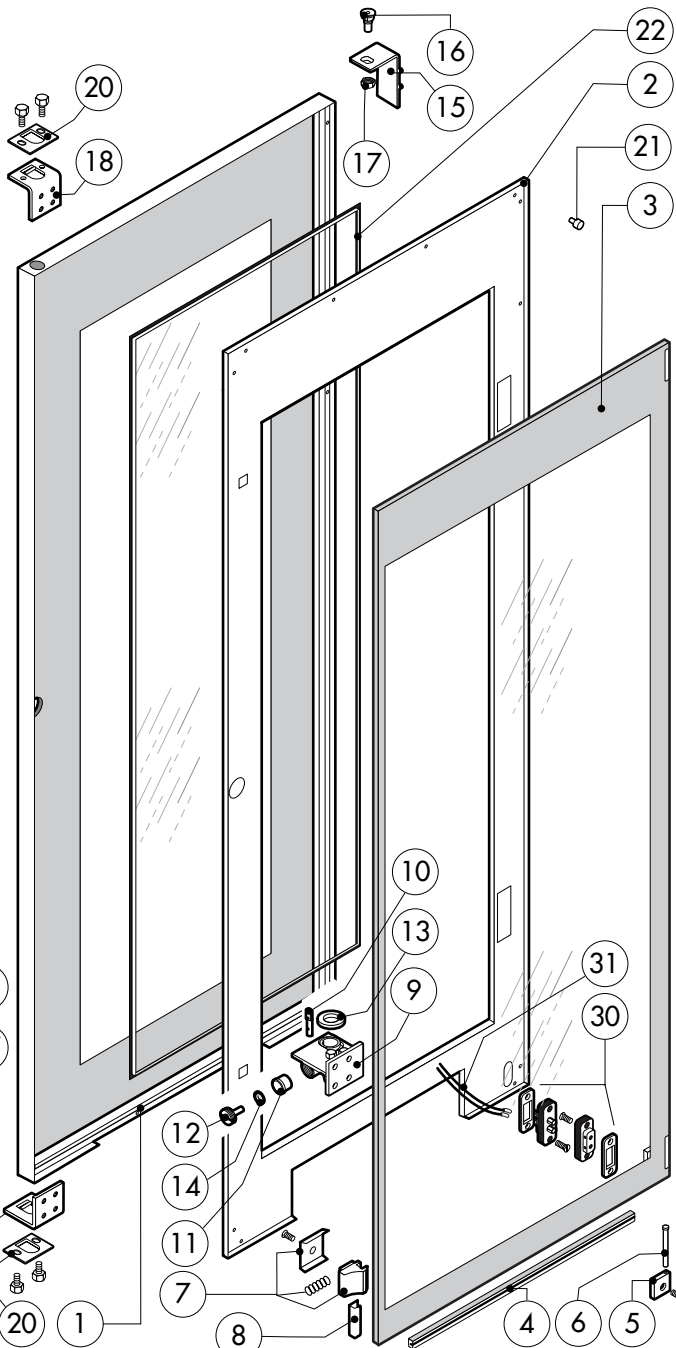
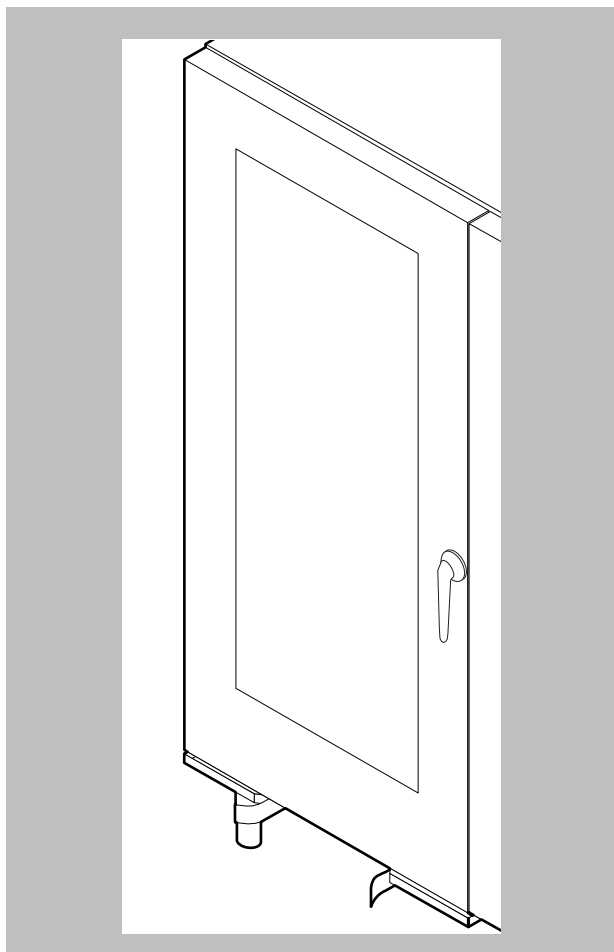


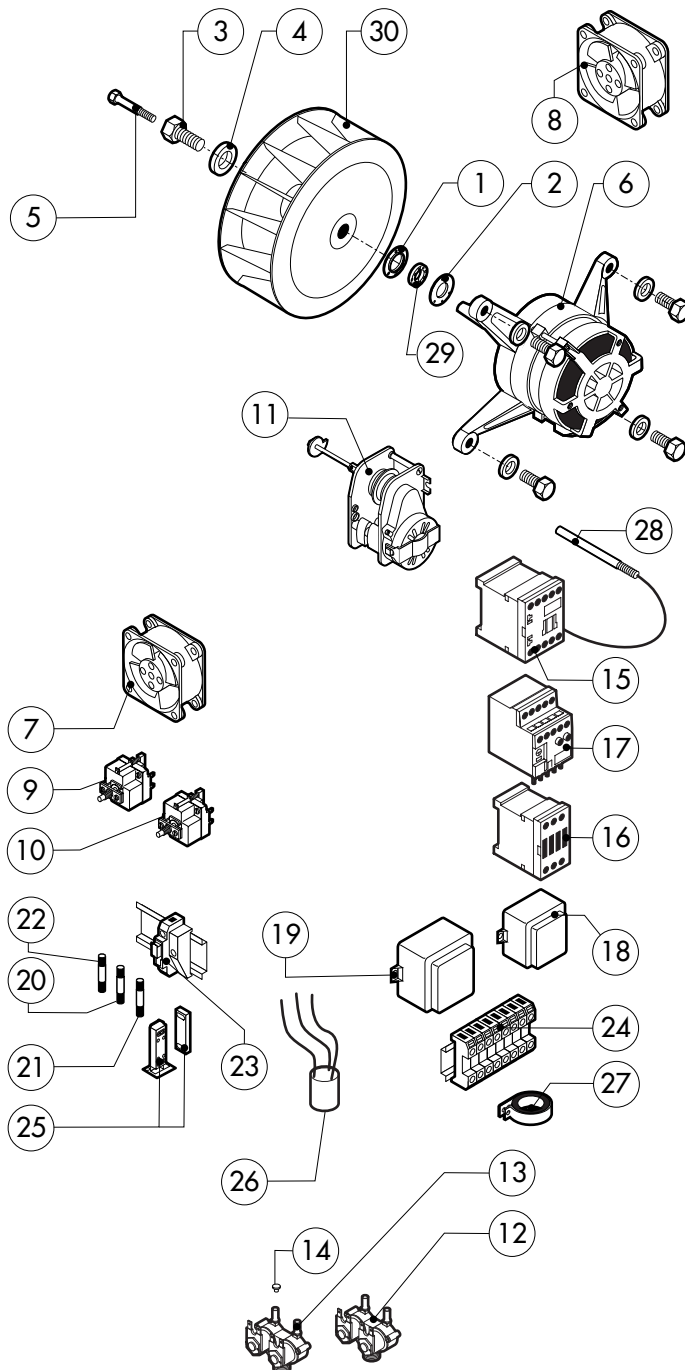
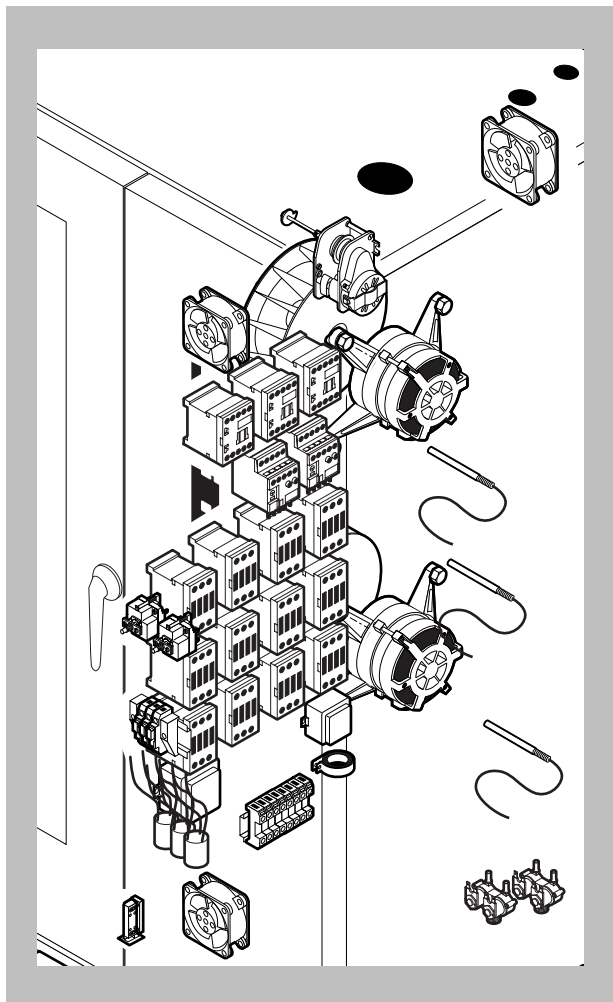
POS.	CODE	PIECES	DESCRIPTION
1	R11100121	1	DOOR ASSEMBLY
2	R11206071	1	CONTROL PANEL
3	R11201970	1	SPRITZER EXTENSION
4	R11200380	1	SPRITZER UNION
5	R11206040	1	COOKING CABINET ASSEMBLY
6	R11203150	1	TOP FAN GUARD PANEL ASSEMBLY
7	R11206100	1	LOWER FAN GUARD PANEL ASSEMBLY
8	R11206141	1	RIGHT SIDE PANEL
9	R11206131	1	LEFT SIDE PANEL
10	R11412130	1	REAR PANEL
11	R11412650	1	BACK COOLING BOX
12	R11206110	1	COVER PANEL
13	R58003100	4	FAN GUARD FASTENING SCREW
14	R70044140	1	FRONT GASKET
15	R75300090	2	FAN GUARD GRID Ø 350
16	R69070020	4	FOOT 1"1/2x130
17	R62200131	1	SHOWER KIT
18	R62200133	1	SHOWER HANDLE
19	R69090090	2	WHEEL

POS.	CODE	PIECES	DESCRIPTION
20	R69090100	2	WHEEL WITH BRAKE
21	R10457840	1	HANDLE FOR TROLLEY
22	R11206490	1	TRAY FOR TROLLEY



POS.	CODE	PIECES	DESCRIPTION
1	R11100181	1	DOOR
2	R11205361	1	INNER DOOR PANEL
3	R11100150	1	INNER DOOR GLASS
4	R70044300	1	GASKET FOR TROLLEY(0,7MT)
5	R58001760	2	INNER GLASS SOLID HINGE
6	R58001770	2	INNER GLASS HINGE PIN
7	R58001780	2	INNER GLASS CATCH KIT
8	R11411860	2	"C" PROFILE
9	R11205390	1	LOWER DOOR HINGE WITH RETAINER
10	R58002540	1	DOOR PIVOT SUNK KEY
11	R58002550	1	DOOR RETAINER GUIDE SHOE
12	R58002560	1	SCREW FOR LOWER DOOR HINGE
13	R58002570	1	WASHER Ø 30/15x3
14	R61620091	16	BELLEVILLE WASHER Ø 14/6.4
15	R11200560	1	UPPER DOOR HINGE
16	R58002150	1	HINGE PIN
17	R58004050	1	NUT FOR UPPER DOOR HINGE
18	R11411520	1	UPPER SQUARE FOR DOOR ROD
19	R11205400	1	LOWER SQUARE FOR DOOR ROD
20	R10207680	2	DOOR ROD ADJUSTABLE PLATE
21	R70050100	9	GLASS SILICON SPACERS
22	R70044160	1	GLASS GASKET (3,72MT)

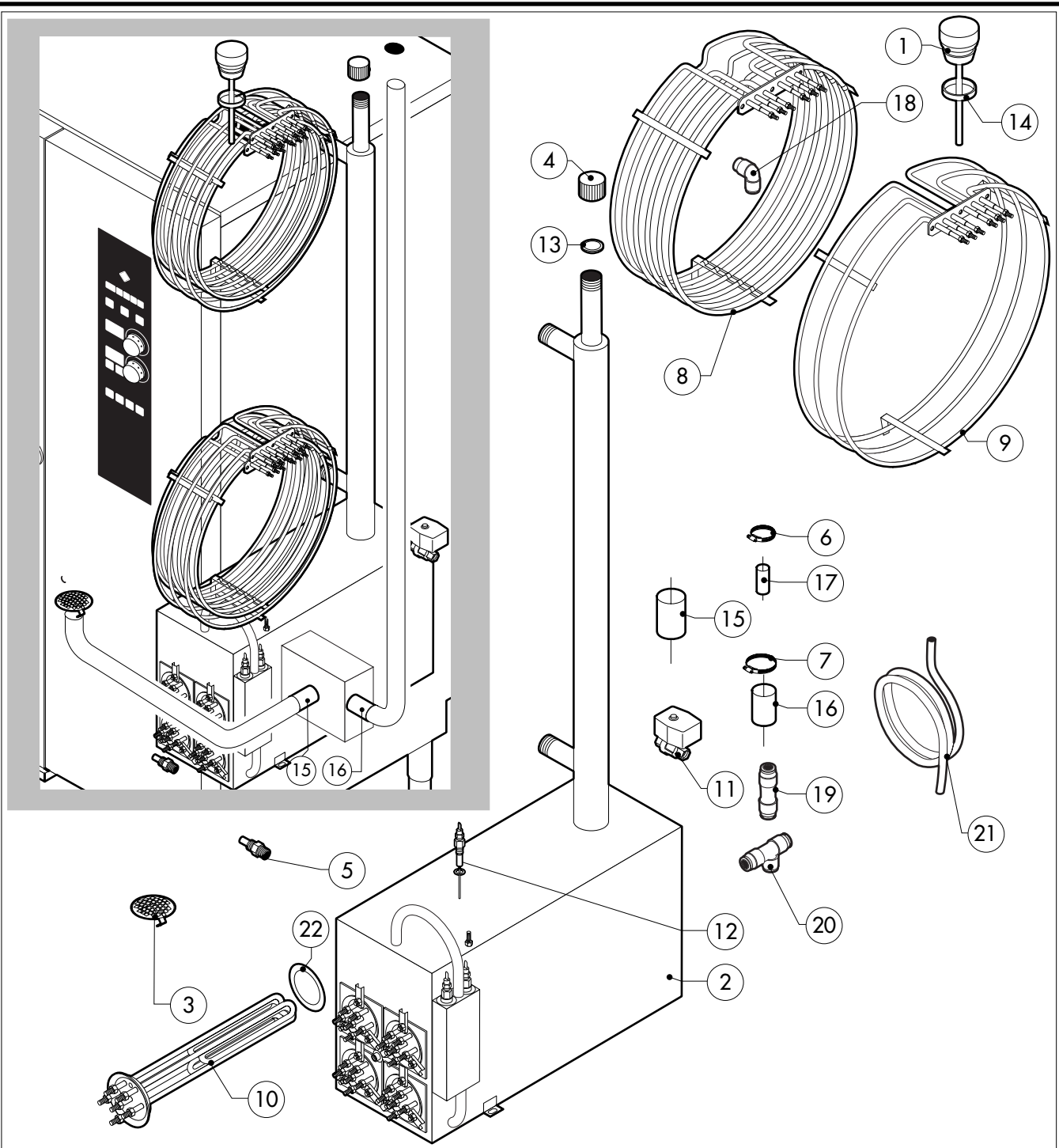
POS.	CODE	PIECES	DESCRIPTION
23	R66110320	1	DOOR LAMPS CABLE SET
24	R11401440	2	LAMP COVER
25	R71500150	2	GLASS LAMP
26	R70044200	2	LAMP GASKET
27	R11401450	2	GLASS HOLDER LAMP FLANGE
28	R65270020	2	LIGHT 20W 12V G4
29	R65270450	2	LIGHT SOCKET
30	R65260750	1	LAMPS CONTACT BLOCK
31	R66110300	1	LAMPS CONTACT CABLE SET
32	R11100310	1	DOOR HANDLE ASSEMBLY
33	R61090052	1	GRUB SCREW M6x16
34	R69010600	1	DOOR HANDLE
35	R69010610	1	HANDLE
36	R61030601	1	CYLINDRICAL HEAD SCREW
37	R11205340	1	DOOR HANDLE PIN
38	R03200970	1	DOOR LOCK REAR FLANGE
39	R58004781	1	DOOR HANDLE HOOK
40	R61040272	1	DOOR HANDLE HOOK SCREW
41	R61420021	1	ELASTIC WASHER
42	R11205381	2	LOWER DOOR ROD
43	R11205370	1	UPPER DOOR ROD



POS.	CODE	PIECES	DESCRIPTION
1	R58003840	2	MOTOR GASKET BRASS FLANGE
2	R58003850	2	MOTOR GASKET BRASS COUNTER FLANGE
3	R58004000	2	FAN SCREW M12x1.5 SX
4	R58004010	2	FAN WASHER Ø 30/12.5
5	R61020562	2	FAN SCREW TE A2 M6x55
6	*R65040051	2	MOTOR HP 1/0.3 KIT
7	R65060050	2	COMPONENTS VENTILATION MOTOR Ø 120
8	R65060060	1	COMPONENTS VENTILATION MOTOR Ø 150
9	R65070350	1	CHAMBER SAFETY THERMOSTAT
10	R65070081	1	STEAM GENERATOR SAFETY THERMOSTAT
11	R65095000	1	DAMPER SYSTEM
12	R65110210	1	SOLENOID VALVE 220V 50HZ
13	R65110230	1	SOLENOID VALVE 220V 50HZ WITH FLOW REDUCER
14	R65110510	1	15 LT/H WATER FLOW REDUCER
15	*R65140380	3	CONTACTOR 3RT1016-1AP02 240V
16	*R65140400	12	CONTACTOR 3RT1025-1AL20 240V
17	*R65160580	2	THERMIC PROTECTION 3RU1116-1CB0 1,8-2,5A
18	R65180420	1	TRANSFORMER 20VA
19	R65180430	1	TRANSFORMER 40VA

POS.	CODE	PIECES	DESCRIPTION
20	R65200086	1	FUSE 0.125A (T)
21	R65200200	1	FUSE 2A
22	R65200110	1	FUSE 0.25A (T)
23	R65210020	3	FUSE CARRIER
24	R65220130	1	TERMINAL BOARD
25	R65265100	1	DOOR SWITCH
26	*R65280200	3	INTERFERENCE SUPPRESSOR
27	*R65280450	1	FERRITE
28	R65325000	3	PROBE PT100
29	R70020050	2	MOTOR GASKET
30	R75400440	2	FAN Ø 350x114/12 50HZ P.D. KIT

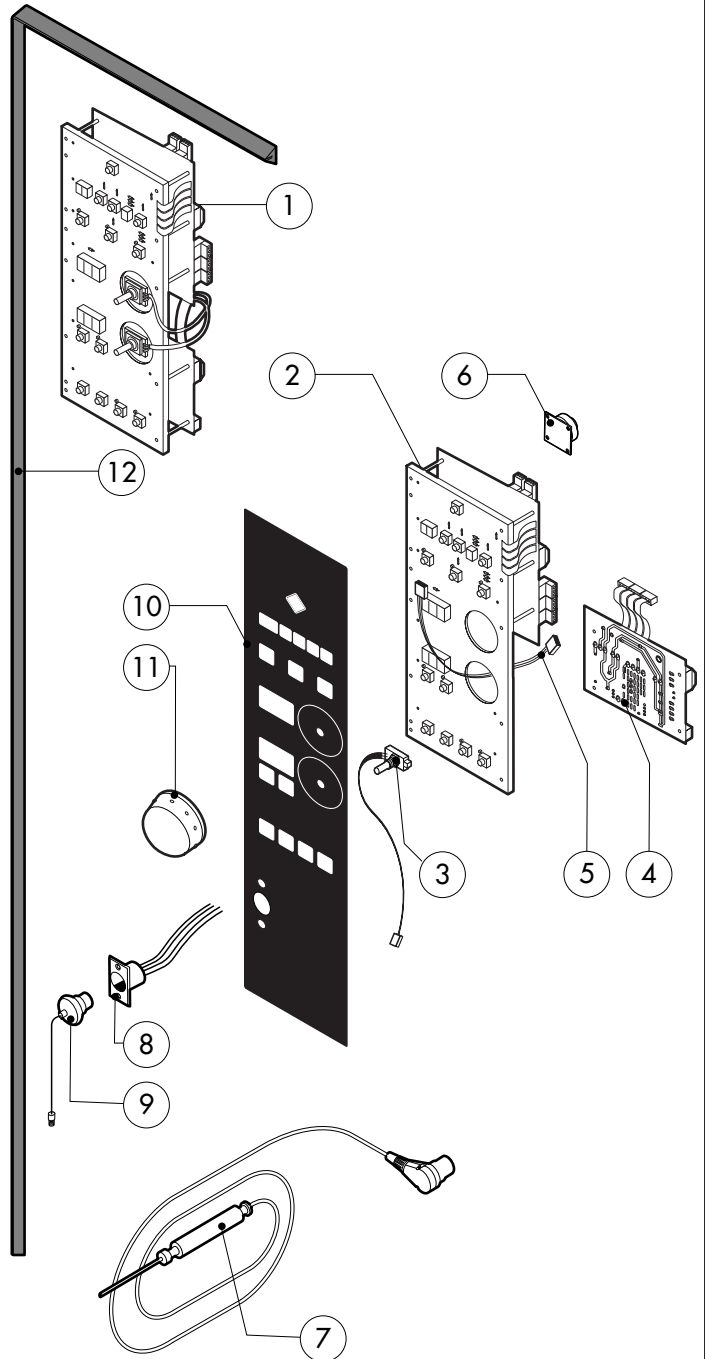
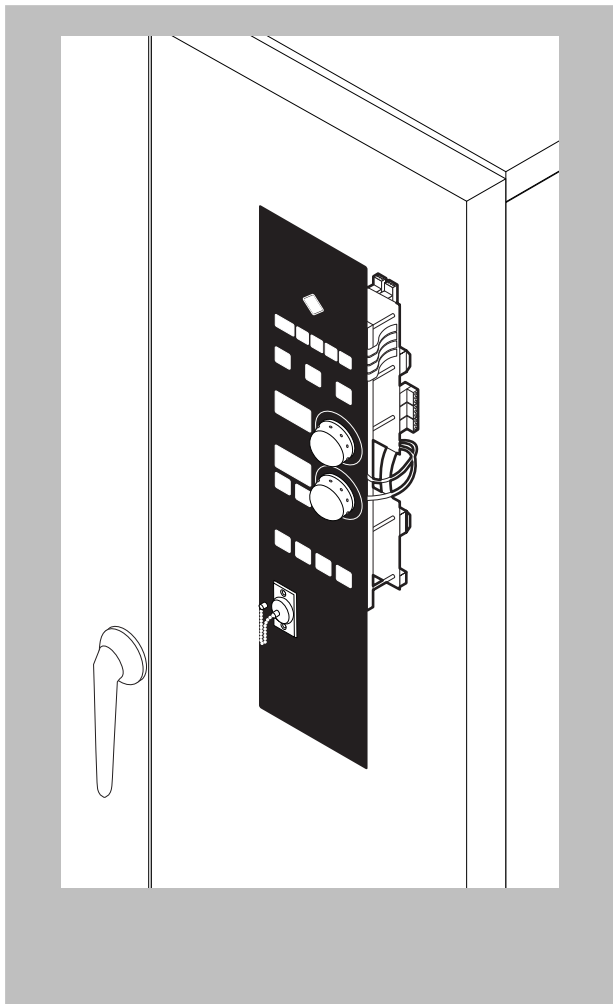
*COMPONENT SUBMITTED TO CHANGEMENTS CAUSED BY TENSION DIFFERENT FROM THE STANDARD (3N AC400V 50HZ)



POS.	CODE	PIECES	DESCRIPTION
1	R11100270	1	DAMPER SYSTEM CAP
2	R11100490	1	STEAM GENERATOR ASSEMBLY
3	R10201710	1	DRAIN FILTER
4	R58005680	1	STEAM GENERATOR DESCALING CAP 1"1/4 F
5	R58006140	2	STEAM QUENCHING NOZZLE Ø 1,5
6	R61630011	2	METAL CLAMPS 12-22/9
7	R61630031	6	METAL CLAMPS 40-60/9
8	*R65011250	2	CHAMBER HEATING ELEMENT 15000W
9	*R65011310	2	CHAMBER HEATING ELEMENT 15000W
10	*R65020420	4	STEAM GENERATOR HEATING ELEMENT 15000W
11	R65110560	1	STEAM GENERATOR DRAIN MOTORIZED VALVE
12	R65320010	2	STEAM GENERATOR LEVEL PROBE
13	R70050040	1	STEAM GENERATOR CAP GASKET
14	R70060100	1	DAMPER SYSTEM CAP GASKET
15	R70060050	1	SILICON COUPLING Ø 60
16	R70060040	2	SILICON COUPLING Ø 50
17	R70060080	1	SILICON COUPLING Ø 13
18	R62090478	10	ELBOW MIDDLING PIPE FITTING D.10
19	R62090458	2	STRAIGHT MIDDLING PIPE FITTING D.10

POS.	CODE	PIECES	DESCRIPTION
20	R62090468	1	"T" MIDDLING PIPE FITTING D.10
21	R70070050	1	PE D.10 MM X7 WATER FLEXIBLE PIPE (3 MT LONG)
22	R70045010	4	STEAM GENERATOR HEATING ELEMENT GASKET

*COMPONENT SUBMITTED TO CHANGEMENTS CAUSED BY TENSION DIFFERENT FROM THE STANDARD (3N AC400V 50HZ)



POS.	CODE	PIECES	DESCRIPTION
1	R65301390	1	CONTROL PANEL P.C. BOARD
2	R65301370	1	FRONT+RELAY PC BOARD "H" MOD
3	R65301450	2	FRONT PC BOARD ENCODER
4	R65301480	1	BOILER CONTROL PC BOARD "H" MOD
5	R65301470	1	PC BOARD FLAT CABLE
6	R65301440	1	PC BOARD BUZZER
7	R65321120	1	CORE TEMPERATURE PROBE
8	R65320920	1	CORE TEMPERATURE PROBE FEMALE CONNECTOR
9	R65321020	1	COVER FOR FEMALE CONNECTOR
10	R67012910	1	LAINOX PLATE
11	R69030260	2	KNOB
12	R70044290	1	CONTROL PANEL GASKET (2,21 MT LONG)

POS.	CODE	PIECES	DESCRIPTION