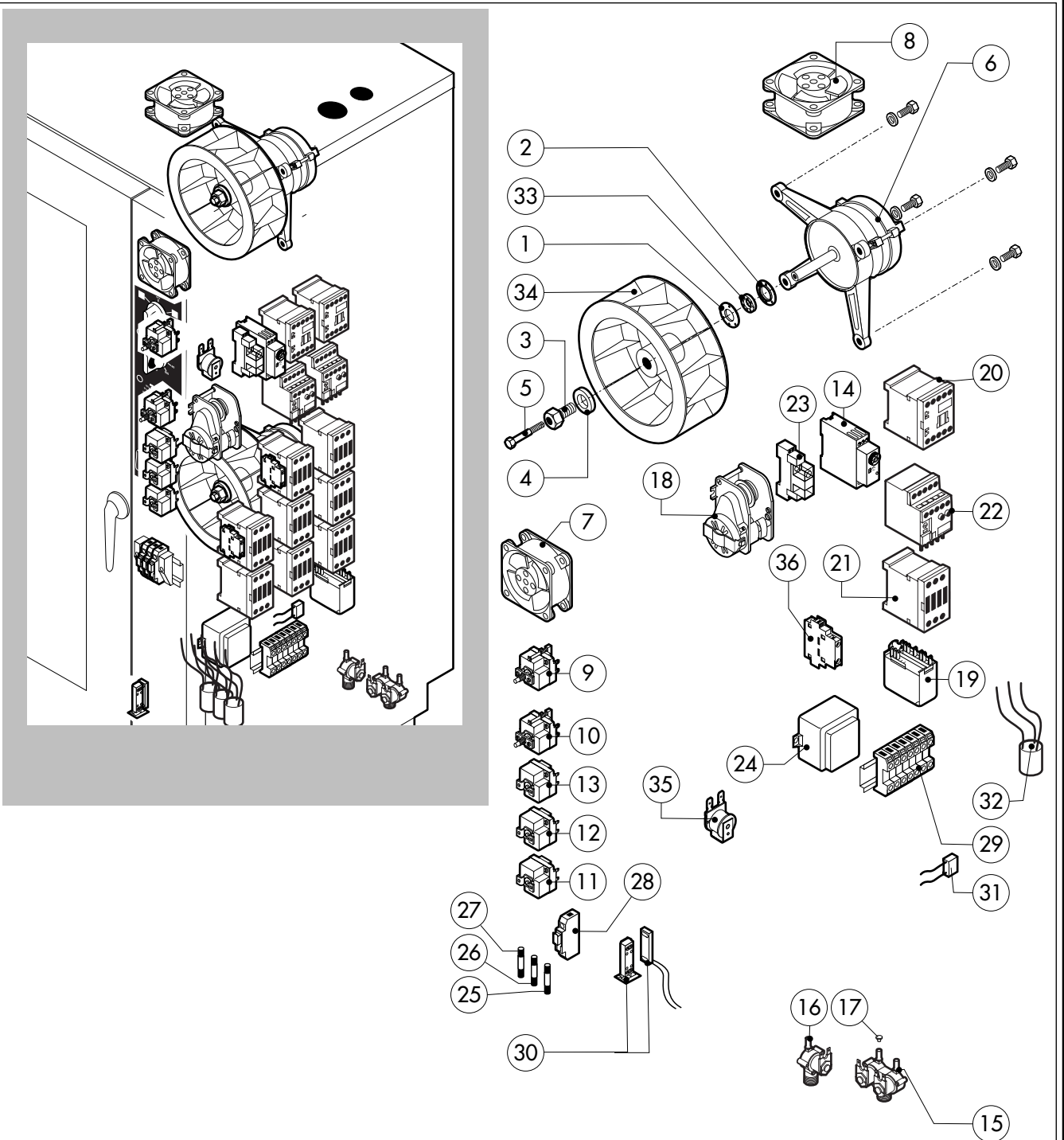


POS.	CODE	PIECES	DESCRIPTION
1	R11100181	1	DOOR
2	R11205361	1	INNER DOOR PANEL
3	R11100150	1	INNER DOOR GLASS
4	R70044300	1	GASKET FOR TROLLEY(0,7MT)
5	R58001760	2	INNER GLASS SOLID HINGE
6	R58001770	2	INNER GLASS HINGE PIN
7	R58001780	2	INNER GLASS CATCH KIT
8	R11411860	2	"C" PROFILE
9	R11205390	1	LOWER DOOR HINGE WITH RETAINER
10	R58002540	1	DOOR PIVOT SUNK KEY
11	R58002550	1	DOOR RETAINER GUIDE SHOE
12	R58002560	1	SCREW FOR LOWER DOOR HINGE
13	R58002570	1	WASHER Ø 30/15x3
14	R61620091	16	BELLEVILLE WASHER Ø 14/6.4
15	R11200560	1	UPPER DOOR HINGE
16	R58002150	1	HINGE PIN
17	R58004050	1	NUT FOR UPPER DOOR HINGE
18	R11411520	1	UPPER SQUARE FOR DOOR ROD
19	R11205400	1	LOWER SQUARE FOR DOOR ROD
20	R10207680	2	DOOR ROD ADJUSTABLE PLATE
21	R70050100	9	GLASS SILICON SPACERS
22	R70044160	1	GLASS GASKET (3,72MT)

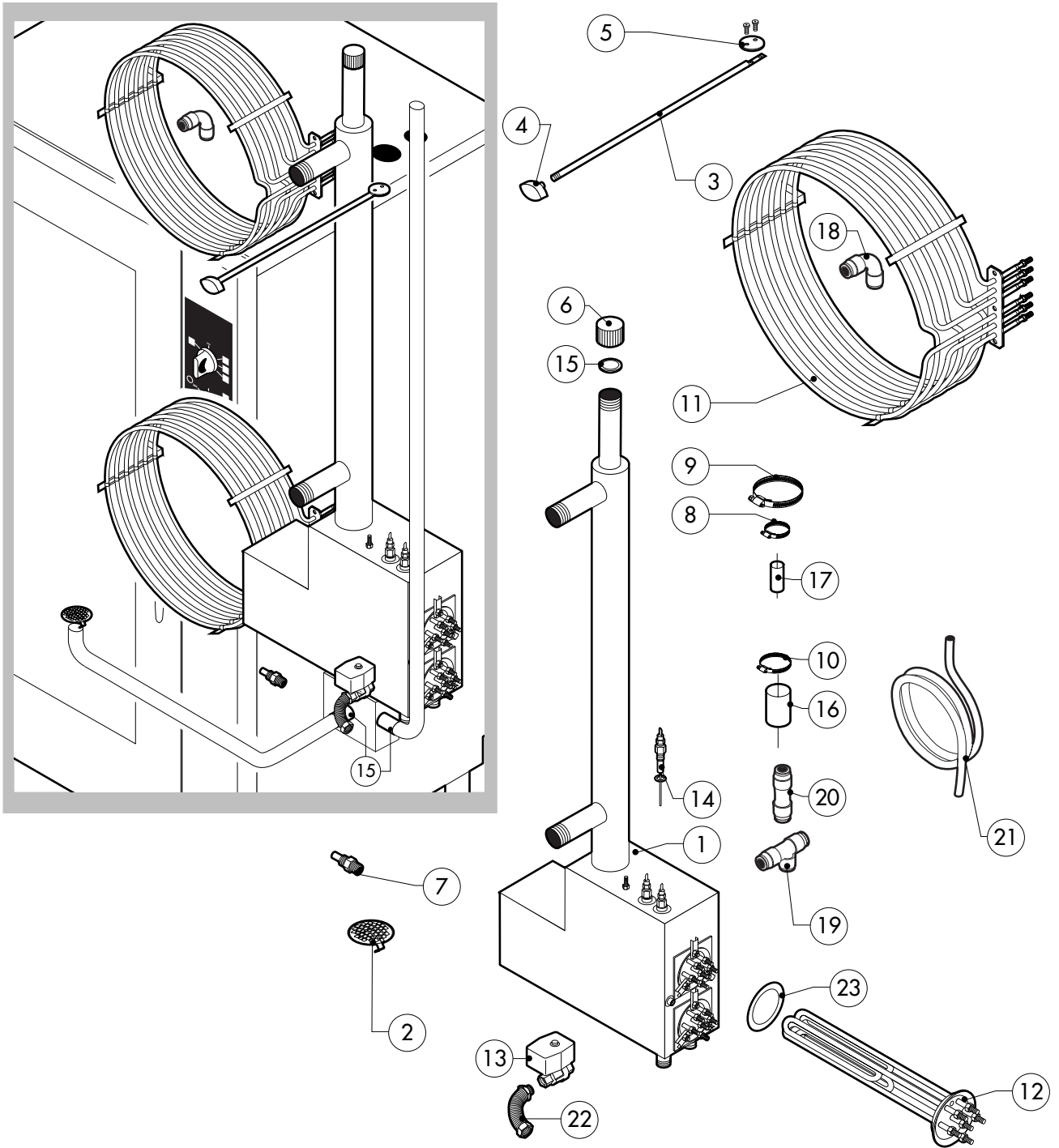
POS.	CODE	PIECES	DESCRIPTION
23	R66110320	1	DOOR LAMPS CABLE SET
24	R11401440	2	LAMP COVER
25	R71500150	2	GLASS LAMP
26	R70044200	2	LAMP GASKET
27	R11401450	2	GLASS HOLDER LAMP FLANGE
28	R65270020	2	LIGHT 20W 12V G4
29	R65270450	2	LIGHT SOCKET
30	R65260750	1	LAMPS CONTACT BLOCK
31	R66110300	1	LAMPS CONTACT CABLE SET
32	R11100310	1	DOOR HANDLE ASSEMBLY
33	R61090052	1	GRUB SCREW M6x16
34	R69010600	1	DOOR HANDLE
35	R69010610	1	HANDLE
36	R61030601	1	CYLINDRICAL HEAD SCREW
37	R11205340	1	DOOR HANDLE PIN
38	R03200970	1	DOOR LOCK REAR FLANGE
39	R58004781	1	DOOR HANDLE HOOK
40	R61040272	1	DOOR HANDLE HOOK SCREW
41	R61420021	1	ELASTIC WASHER
42	R11205381	1	LOWER DOOR ROD
43	R11205370	1	UPPER DOOR ROD



POS.	CODE	PIECES	DESCRIPTION
1	R58003840	2	MOTOR GASKET BRASS FLANGE
2	R58003850	2	MOTOR GASKET BRASS COUNTER FLANGE
3	R58004000	2	FAN SCREW M12x1.5 SX
4	R58004010	2	FAN WASHER Ø 30/12.5
5	R61020562	2	FAN SCREW TE A2 M6x55
6	*R65040550	2	MOTOR 055/015 KW KIT
7	R65060050	1	COMPONENTS VENTILATION MOTOR Ø 120
8	R65060060	1	COMPONENTS VENTILATION MOTOR Ø 150
9	R65070350	1	CHAMBER SAFETY THERMOSTAT
10	R65070081	1	STEAM GENERATOR SAFETY THERMOSTAT
11	R65070100	1	THERMOSTAT 55 C
12	R65070165	1	THERMOSTAT 65 C
13	R65070240	1	THERMOSTAT 70 C
14	R65090450	1	S.GENERATOR DRAIN TIMER
15	R65110210	1	SOLENOID VALVE 220V 50HZ WITH FLOW REDUCER
16	R65110200	1	SOLENOID VALVE 220V 50HZ
17	R65110510	1	15 LT/H WATER FLOW REDUCER
18	R65090190	1	REVERSING SWITCH 8'
19	R65120010	1	LEVEL REGULATOR

POS.	CODE	PIECES	DESCRIPTION
20	*R65140380	2	CONTACTOR 3RT1016-1AP02 240V
21	*R65140400	8	CONTACTOR 3RT1025-1AL20 240V
22	*R65160620	2	THERMIC PROTECTION 3RU1116-1BB0 1,4-2,0A
23	R65170050	1	RELAY 4052 240V AC 10A
24	R65180430	1	TRANSFORMER 40VA
25	R65200200	1	FUSE 2A
26	R65200320	1	FUSE 0.25A (T)
27	R65200120	1	FUSE 0.1A (T)
28	R65210020	3	FUSE CARRIER
29	R65220130	1	TERMINAL BOARD
30	R65265100	1	DOOR SWITCH
31	*R65280130	1	INTERFERENCE SUPPRESSOR
32	*R65280200	3	INTERFERENCE SUPPRESSOR
33	R70020050	2	MOTOR GASKET
34	*R75400440	2	FAN Ø 350x114/12 50HZ P.D. KIT
35	R65330010	1	BUZZER
36	*R65140430	2	AUX.CONTACT 1L+1R 3RH1921-1FA11

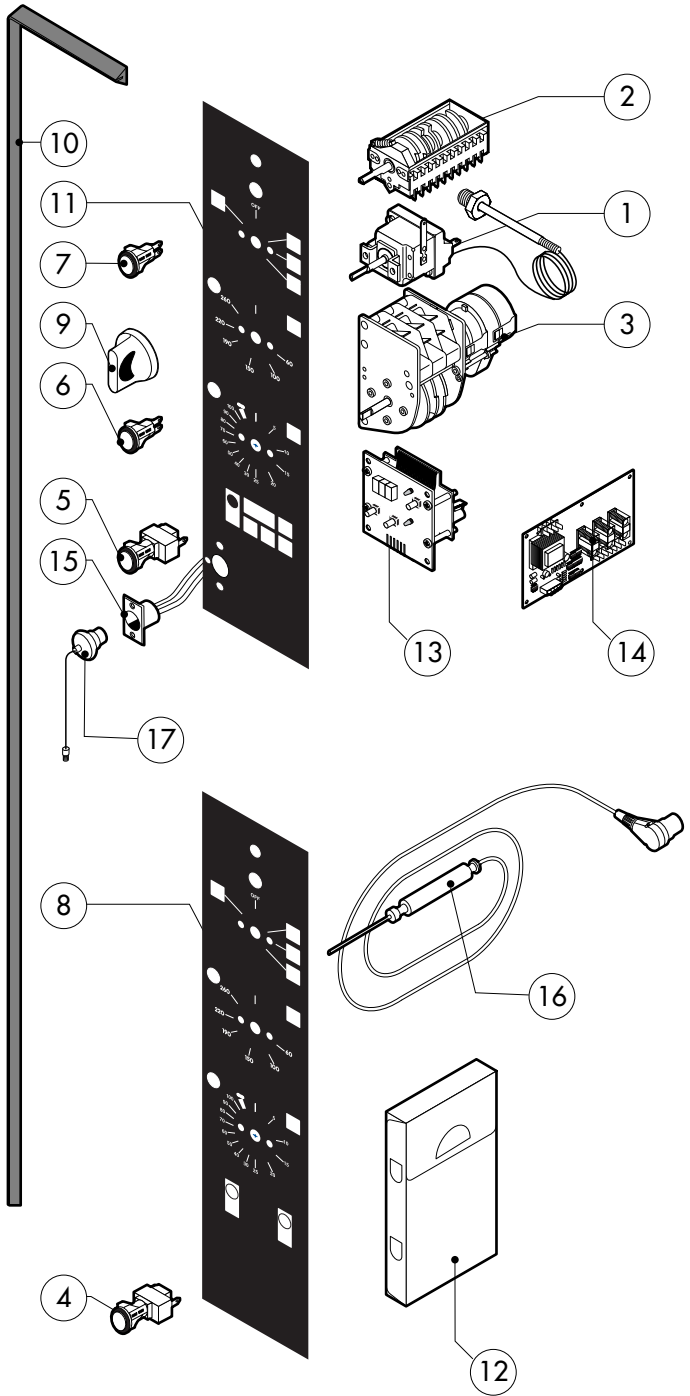
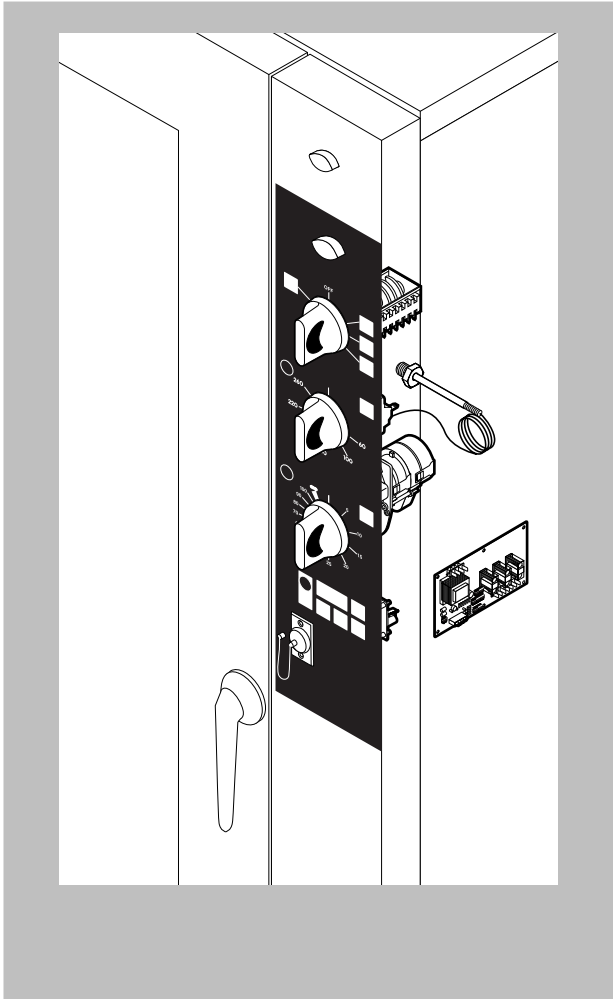
*COMPONENT SUBMITTED TO CHANGEMENTS CAUSED BY TENSION DIFFERENT FROM THE STANDARD (3N AC400V 50HZ)



POS.	CODE	PIECES	DESCRIPTION
1	R11100470	1	STEAM GENERATOR ASSEMBLY
2	R10201710	1	DRAIN FILTER
3	R58003770	1	CHAMBER VENT ROD
4	R69010410	1	STEAM OUTLET KNOB
5	R11406870	1	CHAMBER VENT PLATE Ø 76
6	R58005680	1	STEAM GENERATOR DESCALING CAP 1"1/4 F
7	R58006130	2	STEAM QUENCHING NOZZLE Ø 1
8	R61630011	2	METAL CLAMPS 12-22/9
9	R61630091	2	METAL CLAMPS 140-160/9
10	R61630031	4	METAL CLAMPS 40-60/9
11	*R65011310	2	CHAMBER HEATING ELEMENT 15000W
12	*R65020420	2	STEAM GENERATOR HEATING ELEMENT 15000W
13	R65110560	1	STEAM GENERATOR DRAIN MOTORIZED VALVE
14	R65320010	2	STEAM GENERATOR LEVEL PROBE
15	R70050040	1	STEAM GENERATOR CAP GASKET
16	R70060040	2	SILICON COUPLING Ø 50
17	R70060080	1	SILICON COUPLING Ø 13
18	R62090478	5	ELBOW MIDDLING PIPE FITTING D.10
19	R62090468	1	"T" MIDDLING PIPE FITTING D.10

POS.	CODE	PIECES	DESCRIPTION
20	R62090458	1	STRAIGHT MIDDLING PIPE FITTING D.10
21	R70070040	1	PE D.10 MM X7 WATER FLEXIBLE PIPE (4 MT LONG)
22	R62180022	1	FLEXIBLE PIPE FOR BOILER DESCALING
23	R70045010	2	STEAM GENERATOR HEATING ELEMENT GASKET

* COMPONENT SUBMITTED TO CHANGEMENTS CAUSED BY TENSION DIFFERENT FROM THE STANDARD (3N AC400V 50HZ)



POS.	CODE	PIECES	DESCRIPTION
1	R65070360	1	CABINET THERMOSTAT 50/270 C
2	R65080020	1	MAIN SELECTOR SWITCH
3	R65090200	1	TIMER
4	R65260600	1	SWITCH
5	R65260610	1	HUMIDIFIER PUSH BUTTON
6	R65270150	2	ORANGE INDICATING LIGHT
7	R65270160	1	GREEN INDICATING LIGHT
8	R67012950	1	LAINOX PLATE
9	R69030150	3	KNOB - UNTIL N 2604
	R69030170	3	KNOB - FROM n 2704
10	R70044280	1	CONTROL PANEL GASKET
11	R67012960	1	LAINOX PLATE
12	R86020420	1	CORE TEMPERATURE PROBE BOX
13	R65300540	1	CONTROL PANEL P.C. BOARD
14	R65300490	1	RELAYS P.C. BOARD
15	R65320920	1	CORE TEMPERATURE PROBE FEMALE CONNECTOR
16	R65320900	1	CORE TEMPERATURE PROBE
17	R65321020	1	COVER FOR FEMALE CONNECTOR

POS.	CODE	PIECES	DESCRIPTION