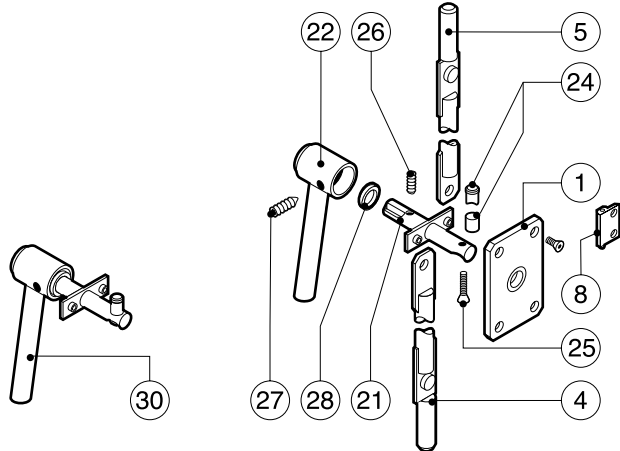
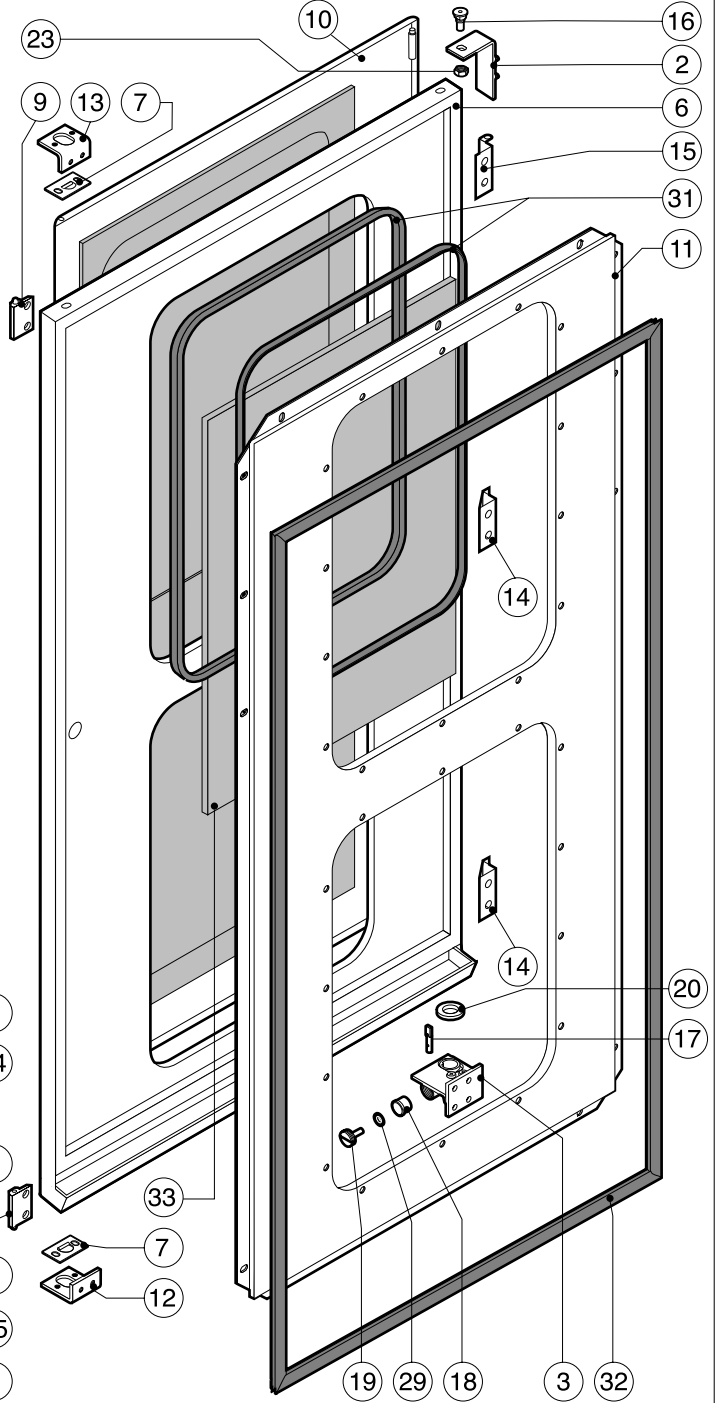
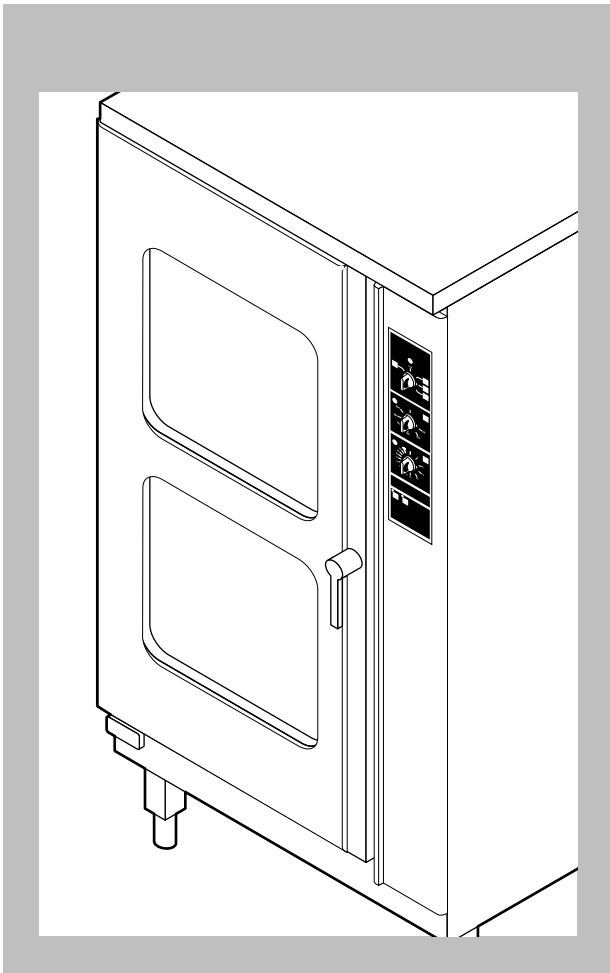


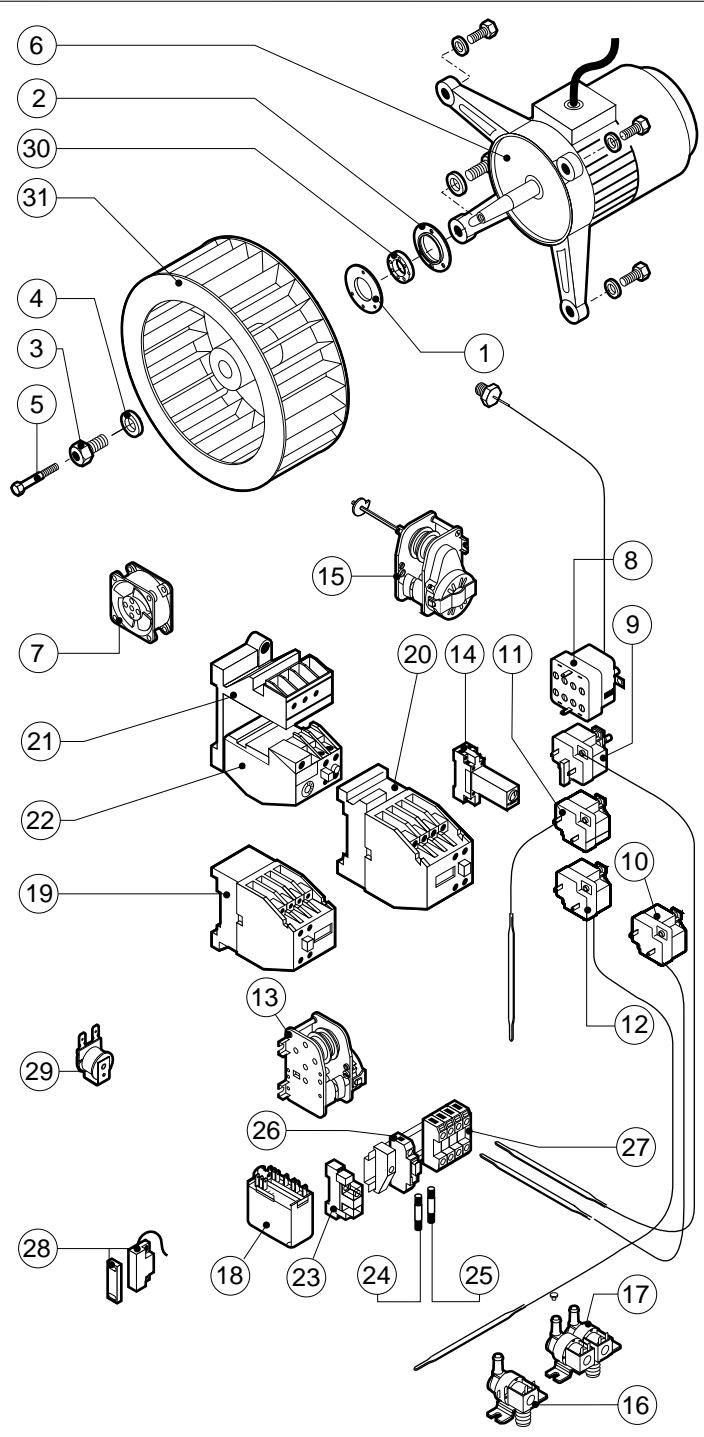
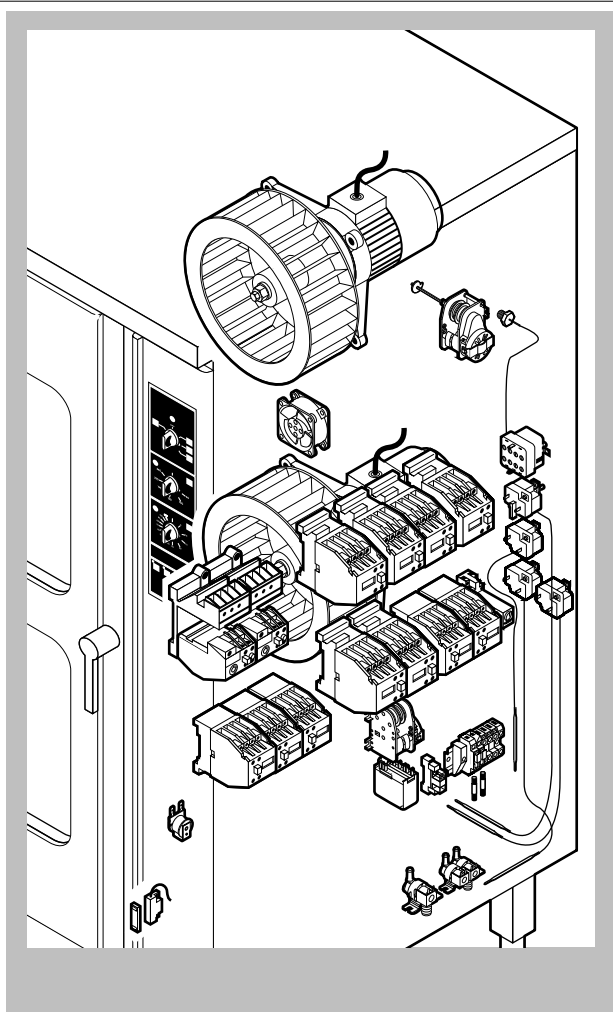
POS.	CODE	PIECES	DESCRIPTION
1	R10104260	1	DOOR ASSEMBLY
2	R10104520	1	CONTROL PANEL WITH PLATE
3	R10200410	1	COVER PANEL
4	R10201210	1	HUMIDIFIER PIPE
5	R10201600	1	LEFT SIDE PANEL
6	R10201620	1	RIGHT SIDE PANEL
7	R10201630	1	REAR PANEL
8	R10207161	1	COOKING CABINET ASSEMBLY
9	R10207281	1	FAN GUARD PANEL ASSEMBLY
10	R58003100	2	FAN GUARD FASTENING SCREW
11	R69070070	4	FOOT 1"1/4x120
12	R70041010	1	FRONT GASKET
13	R75300060	2	FAN GUARD GRID Ø 270

POS.	CODE	PIECES	DESCRIPTION



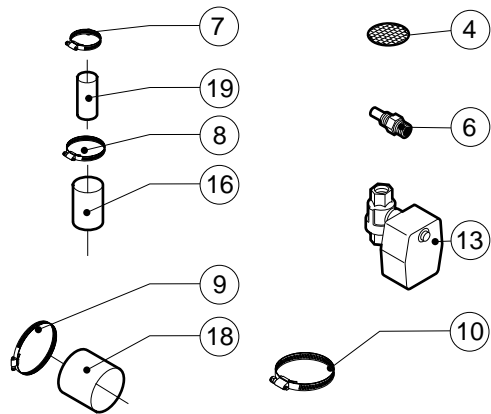
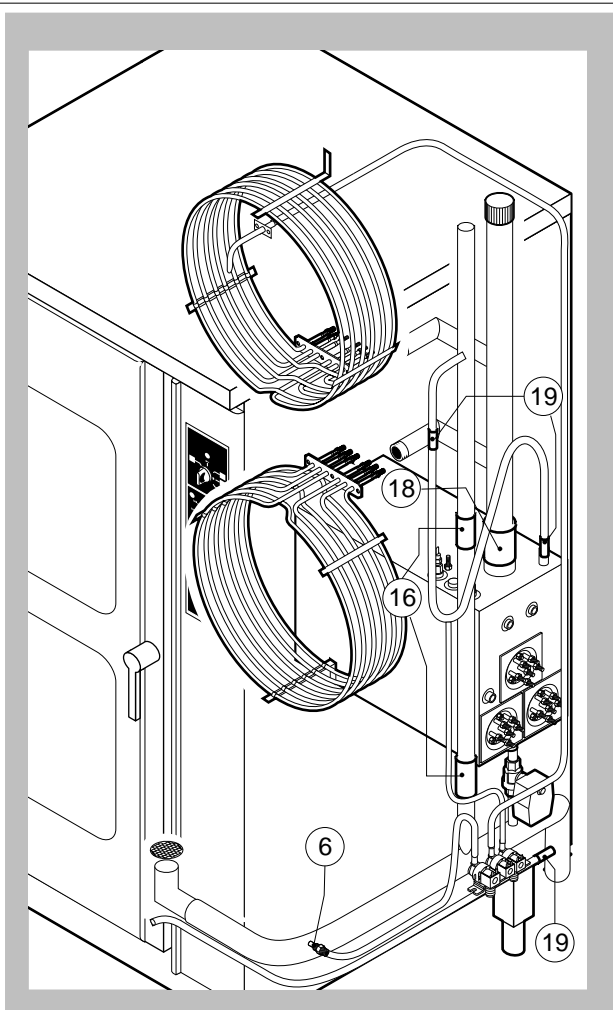
POS.	CODE	PIECES	DESCRIPTION
1	R03200970	1	DOOR LOCK REAR FLANGE
2	R10201290	1	UPPER DOOR HINGE
3	R10201330	1	LOWER DOOR HINGE WITH RETAINER
4	R10202950	1	LOWER DOOR ROD
5	R10202960	1	UPPER DOOR ROD
6	R10207630	1	DOOR
7	R10207680	2	DOOR ROD ADJUSTABLE PLATE
8	R10208290	1	FRONT LOWER DOOR PANEL CATCH
9	R10208300	1	FRONT UPPER DOOR PANEL CATCH
10	R10208340	1	FRONT DOOR PANEL
11	R10410770	1	INNER DOOR PANEL
12	R10411350	1	LOWER SQUARE FOR DOOR ROD
13	R10411360	1	UPPER SQUARE FOR DOOR ROD
14	R10456040	2	LOWER HINGE FOR FRONT DOOR PANEL
15	R10456050	1	UPPER HINGE FOR FRONT DOOR PANEL
16	R58002150	1	HINGE PIN
17	R58002540	1	DOOR PIVOT SUNK KEY
18	R58002550	1	DOOR RETAINER GUIDE SHOE
19	R58002560	1	SCREW FOR LOWER DOOR HINGE

POS.	CODE	PIECES	DESCRIPTION
20	R58002570	1	WASHER Ø 30/15x3
21	R58003180	1	DOOR HANDLE PIN
22	R58003450	1	DOOR HANDLE
23	R58004050	1	NUT FOR UPPER DOOR HINGE
24	R58004781	1	DOOR HANDLE HOOK
25	R61040242	1	DOOR HANDLE HOOK SCREW
26	R61090052	1	GRUB SCREW M6x16
27	R61100262	1	GRUB SCREW M8x20
28	R61420021	1	ELASTIC WASHER
29	R61620091	16	BELLEVILLE WASHER Ø 14/6.4
30	R69015050	1	DOOR HANDLE ASSEMBLY
31	R70040200	4	GLASS GASKET
32	R70042040	1	DOOR GASKET
33	R71030120	2	DOOR GLASS

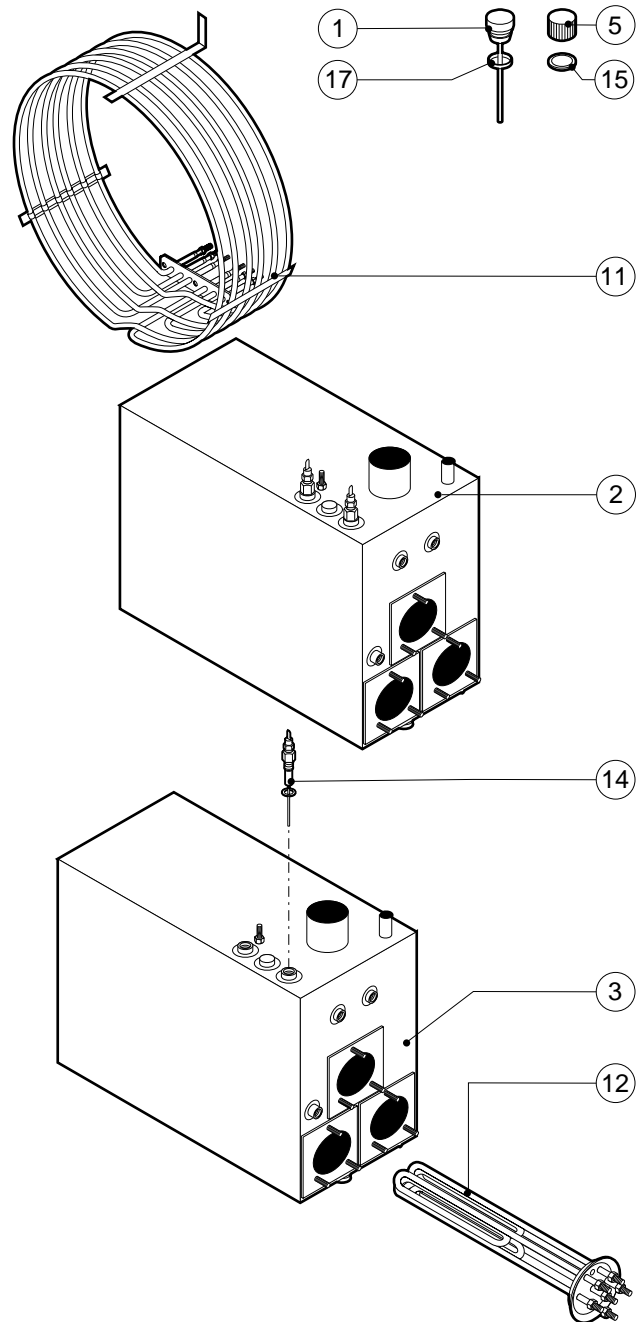


POS.	CODE	PIECES	DESCRIPTION
1	R58003840	2	MOTOR GASKET BRASS FLANGE
2	R58003850	2	MOTOR GASKET BRASS COUNTER FLANGE
3	R58004000	2	FAN SCREW M12x1.5 SX
4	R58004010	2	FAN WASHER Ø 30/12.5
5	R61020562	2	FAN SCREW TE A2 M6x55
6	R65040061	2	MOTOR HP 1 KIT
7	R65060010	2	COMPONENTS VENTILATION MOTOR Ø 80
8	R65070070	1	CHAMBER SAFETY THERMOSTAT
9	R65070080	1	STEAM GENERATOR SAFETY THERMOSTAT
10	R65070100	1	THERMOSTAT 55°C
11	R65070165	1	THERMOSTAT 65°C
12	R65070240	1	THERMOSTAT 70°C
13	R65090190	1	REVERSING SWITCH 8'
14	R65090460	1	S.GENERATOR DRAIN TIMER FINDER MOD.85.62
15	R65095010	1	DAMPER SYSTEM
16	R65110010	1	SOLENOID VALVE 220V 50HZ
17	R65115000	1	SOLENOID VALVE 220V 50HZ WITH FLOW REDUCER
18	R65120010	1	LEVEL REGULATOR
19	R65140150	5	CONTACTOR 3TF4011-OAUO 240V

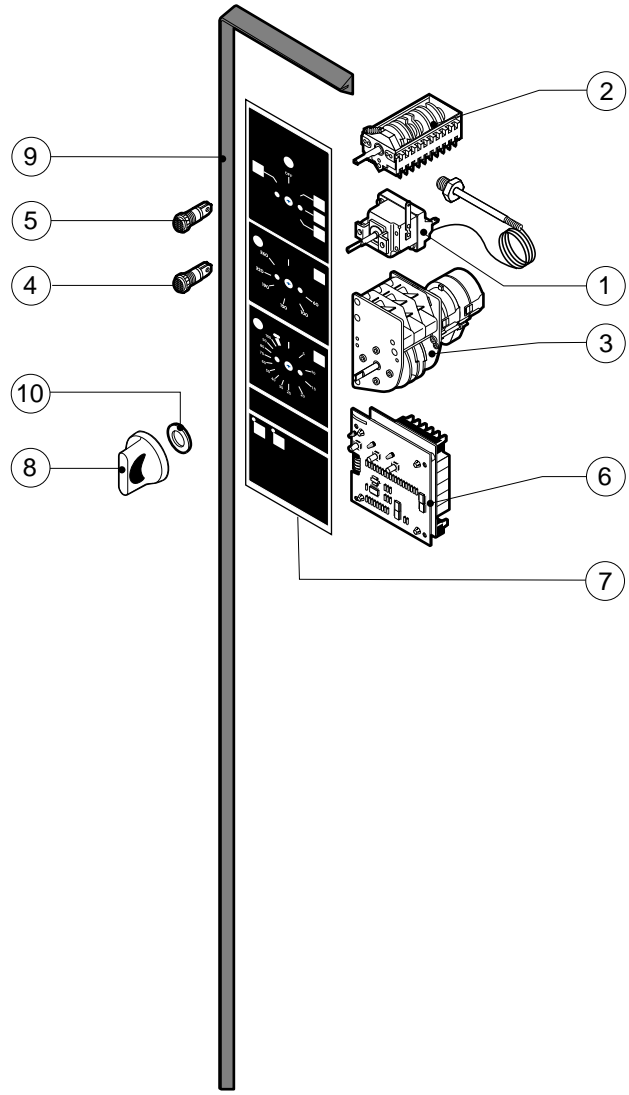
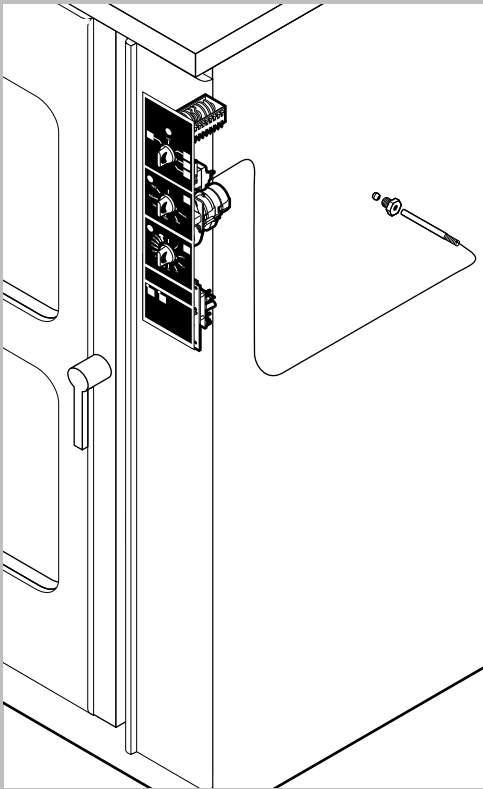
POS.	CODE	PIECES	DESCRIPTION
20	R65140240	6	CONTACTOR 3TF4211-OAUO 240V
21	R65160050	2	THERMIC SWITCH SUPPORT 3UX1418
22	R65160120	2	THERMIC PROTECTION 3UA5000-1C 1.6-2.5A
23	R65170050	1	RELAY 4052 240V AC 10A
24	R65200086	1	FUSE 0.125A (T)
25	R65200200	1	FUSE 2A
26	R65210020	2	FUSE CARRIER
27	R65220130	1	TERMINAL BOARD
28	R65265100	1	DOOR SWITCH
29	R65330010	1	BUZZER
30	R70020050	2	MOTOR GASKET
31	R75400290	2	FAN Ø 300x120/20 50HZ P.D. KIT



POS.	CODE	PIECES	DESCRIPTION
1	R10100140	1	DAMPER SYSTEM CAP
2	R10102710	1	STEAM GENERATOR ASSEMBLY
3	R10200930	1	STEAM GENERATOR
4	R10201710	1	DRAIN FILTER
5	R58005680	1	STEAM GENERATOR DESCALING CAP 1"1/4 F
6	R58006080	1	STEAM QUENCHING NOZZLE Ø 2
7	R61630011	10	METAL CLAMPS 12-22/9
8	R61630021	2	METAL CLAMPS 30-45/9
9	R61630031	2	METAL CLAMPS 40-60/9
10	R61630041	4	METAL CLAMPS 70-90/9
11	R65011310	2	CHAMBER HEATING ELEMENT 15000W
12	R65020350	3	STEAM GENERATOR HEATING ELEMENT 7500W
13	R65110540	1	STEAM GENERATOR DRAIN MOTORIZED VALVE
14	R65320010	2	STEAM GENERATOR LEVEL PROBE
15	R70050040	1	STEAM GENERATOR CAP GASKET
16	R70060010	2	SILICON COUPLING Ø 30
17	R70060020	1	DAMPER SYSTEM CAP GASKET
18	R70060040	1	SILICON COUPLING Ø 50
19	R70060060	3	SILICON COUPLING Ø 15



POS.	CODE	PIECES	DESCRIPTION



POS.	CODE	PIECES	DESCRIPTION
1	R65070210	1	CABINET THERMOSTAT 50/270°C
2	R65080020	1	MAIN SELECTOR SWITCH
3	R65090200	1	TIMER
4	R65270220	2	ORANGE INDICATING LIGHT
5	R65270230	1	GREEN INDICATING LIGHT
6	R65300500	1	CONTROL PANEL P.C. BOARD
7	R67010620	1	LAINOX PLATE
8	R69030150	3	KNOB KIT
9	R70040850	1	CONTROL PANEL GASKET
10	R70050020	6	KNOB GASKET

POS.	CODE	PIECES	DESCRIPTION