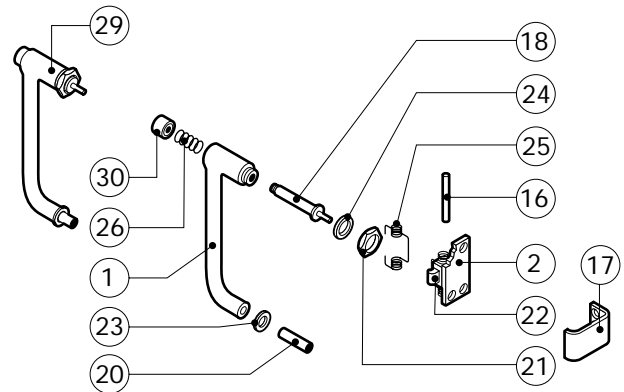
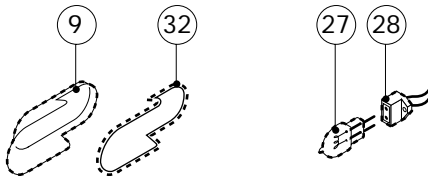
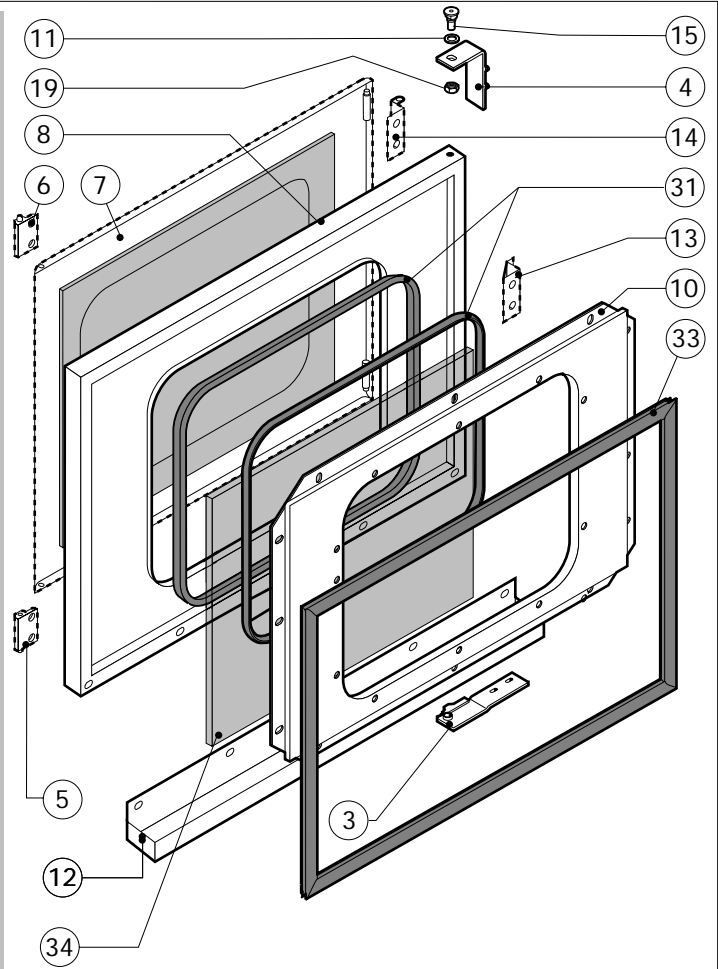
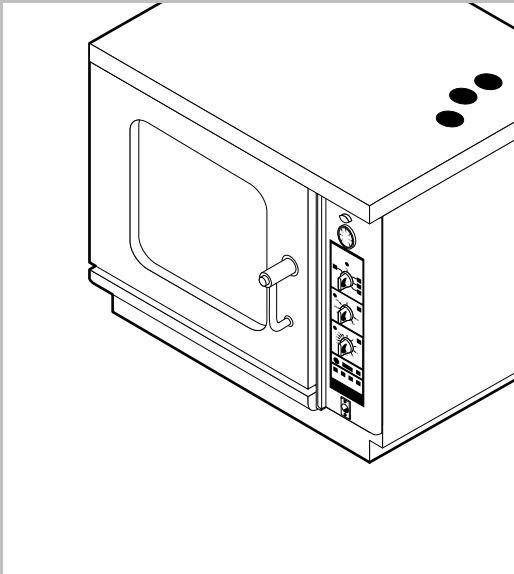


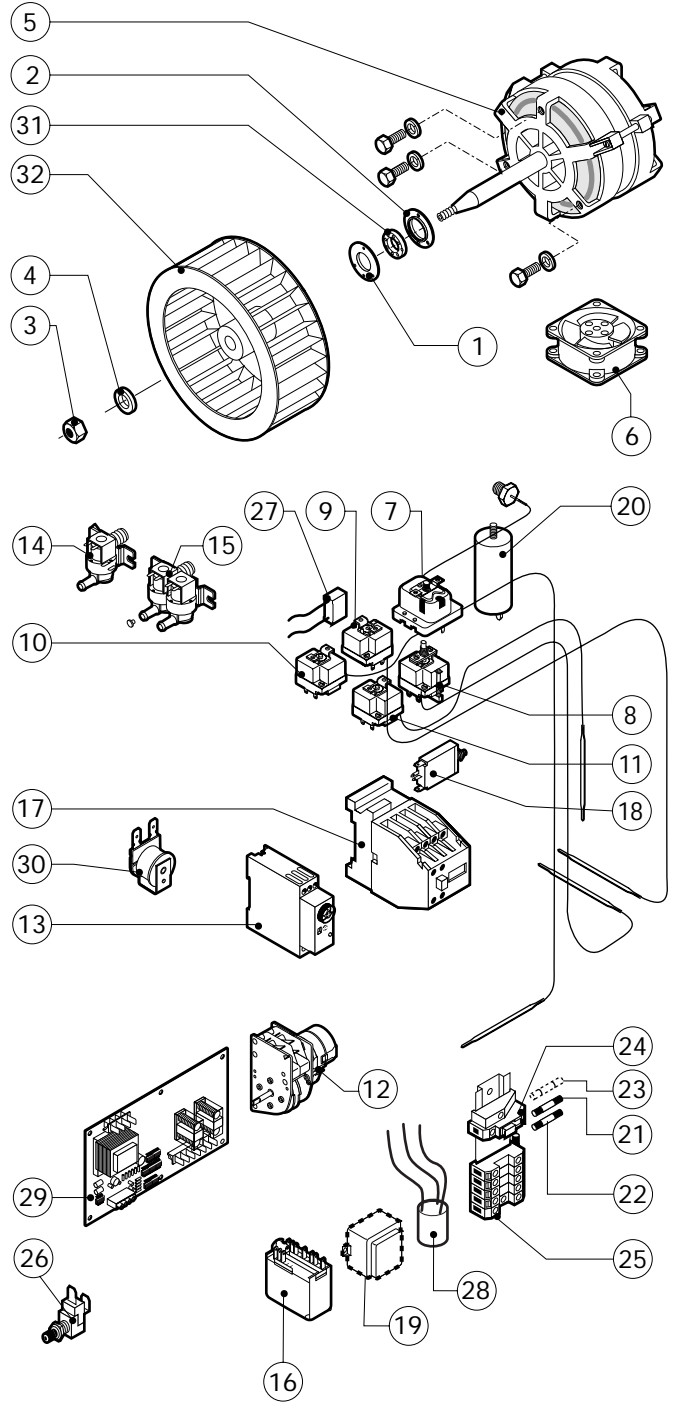
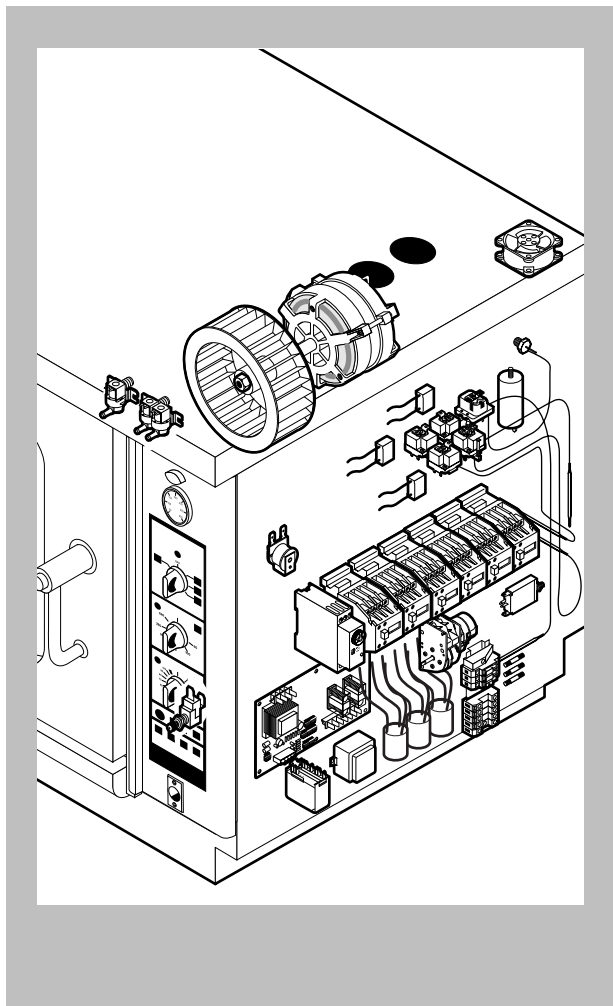
POS.	CODE	PIECES	DESCRIPTION
1	R10105000	1	DOOR ASSEMBLY
2	R10105010	1	DOOR ASSEMBLY WITH LIGHTS
3	R10105020	1	DOOR ASSEMBLY WITH COVER
4	R10105030	1	DOOR ASSEMBLY WITH LIGHTS AND COVER
5	R10206470	1	SPRITZER EXTENSION
6	R10206540	1	SPRITZER UNION
7	R10207101	1	COOKING CABINET ASSEMBLY
8	R10207251	1	FAN GUARD PANEL ASSEMBLY
9	R10212320	1	RIGHT SIDE PANEL
10	R10212330	1	LEFT SIDE PANEL
11	R10212340	1	REAR PANEL
12	R10212890	1	CONTROL PANEL
13	R10213500	1	COVER PANEL
14	R58003100	2	FAN GUARD FASTENING SCREW
15	R70043250	1	FRONT GASKET
16	R75300020	1	FAN GUARD GRID Ø 120
17	R75300030	1	FAN GUARD GRID Ø 190

POS.	CODE	PIECES	DESCRIPTION



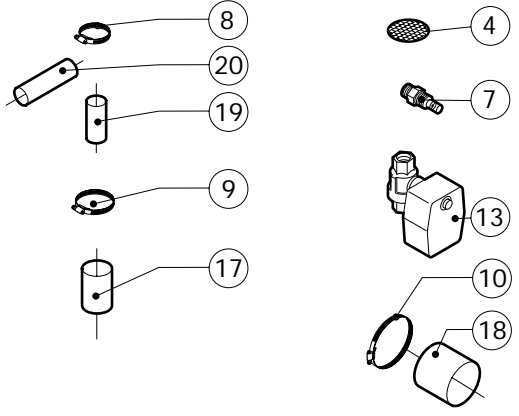
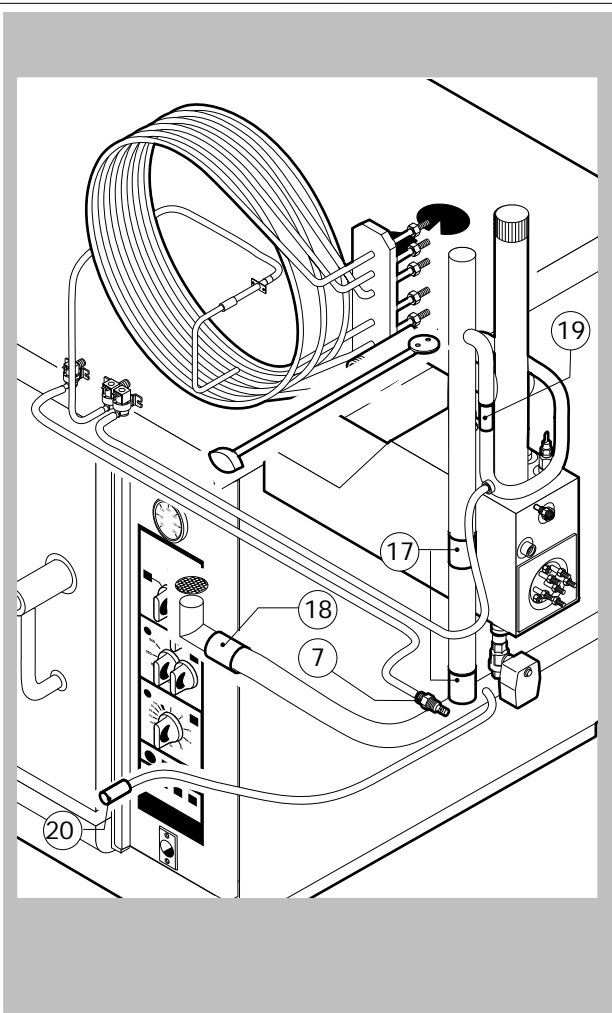
POS.	CODE	PIECES	DESCRIPTION
1	R09200230	1	DOOR HANDLE
2	R10100110	1	PRONG FLANGE
3	R10201190	1	LOWER DOOR HINGE
4	R10201290	1	UPPER DOOR HINGE
5	R10208290	1	FRONT LOWER DOOR PANEL CATCH
6	R10208300	1	FRONT UPPER DOOR PANEL CATCH
7	R10208310	1	FRONT DOOR PANEL
8	R10212220	1	DOOR
9	R10400150	1	LIGHT PROTECTION
10	R10401320	1	INNER DOOR PANEL
11	R10401710	1	WASHER FOR UPPER DOOR HINGE
12	R10441140	1	DOOR DRIP TRAY
13	R10456040	1	LOWER HINGE FOR FRONT DOOR PANEL
14	R10456050	1	UPPER HINGE FOR FRONT DOOR PANEL
15	R58002150	1	HINGE PIN
16	R58002160	1	DOOR HANDLE PRONG PIN
17	R58002760	1	DOOR HANDLE PRONG COUPLER
18	R58003240	1	DOOR HANDLE BUTTON ROD
19	R58004050	1	NUT FOR UPPER DOOR HINGE

POS.	CODE	PIECES	DESCRIPTION
20	R58004270	1	DOOR HANDLE SPACER
21	R58004830	1	RING NUT M18x1
22	R58005050	1	DOOR HANDLE PRONG
23	R58005340	1	DOOR HANDLE LOWER INSULATION WASHER
24	R58005350	1	DOOR HANDLE UPPER INSULATION WASHER
25	R61620012	1	DOOR HANDLE CATCH SPRING
26	R61620041	1	DOOR HANDLE BUTTON SPRING
27	R65270020	1	LIGHT 20W 12V G4
28	R65270400	1	LIGHT SOCKET
29	R69015000	1	DOOR HANDLE ASSEMBLY
30	R69031190	1	DOOR HANDLE PUSH BUTTON
31	R70040080	2	GLASS GASKET
32	R70040800	1	LIGHT PROTECTION GASKET
33	R70042010	1	DOOR GASKET
34	R71030060	1	DOOR GLASS

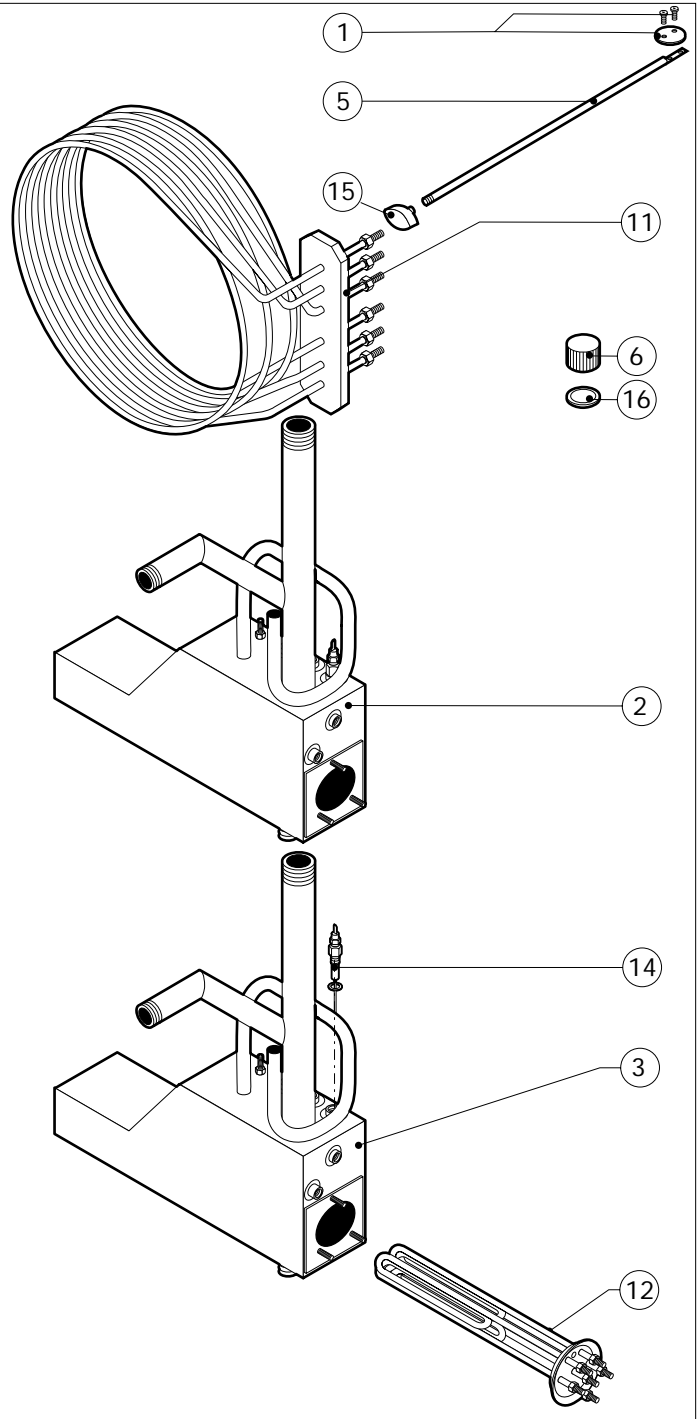


POS.	CODE	PIECES	DESCRIPTION
1	R58003860	1	MOTOR GASKET BRASS FLANGE
2	R58003870	1	MOTOR GASKET BRASS COUNTER FLANGE
3	R58004020	1	FAN SECURITY NUT M10 SX
4	R61400052	1	FAN WASHER Ø 21/10.5
5	R65040420	1	MOTOR KW 0.37 KIT
6	R65060050	1	COMPONENTS VENTILATION MOTOR Ø 120
7	R65070070	1	CHAMBER SAFETY THERMOSTAT
8	R65070080	1	STEAM GENERATOR SAFETY THERMOSTAT
9	R65070100	1	THERMOSTAT 55°C
10	R65070165	1	THERMOSTAT 65°C
11	R65070240	1	THERMOSTAT 70°C
12	R65090190	1	REVERSING SWITCH 8'
13	R65090450	1	S.GENERATOR DRAIN TIMER
14	R65110010	1	SOLENOID VALVE 220V 50HZ
15	R65115000	1	SOLENOID VALVE 220V 50HZ WITH FLOW REDUCER
16	R65120010	1	LEVEL REGULATOR
17	R65140150	6	CONTACTOR 3TF4011-OAUO 240V
18	R65160310	1	THERMIC PROTECTION T12-211S-2.5A
19	R65180420	1	TRANSFORMER 20VA

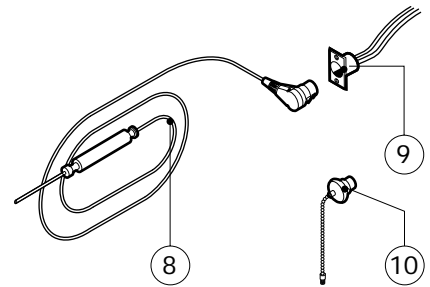
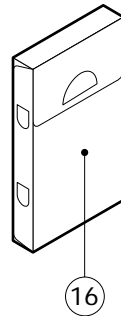
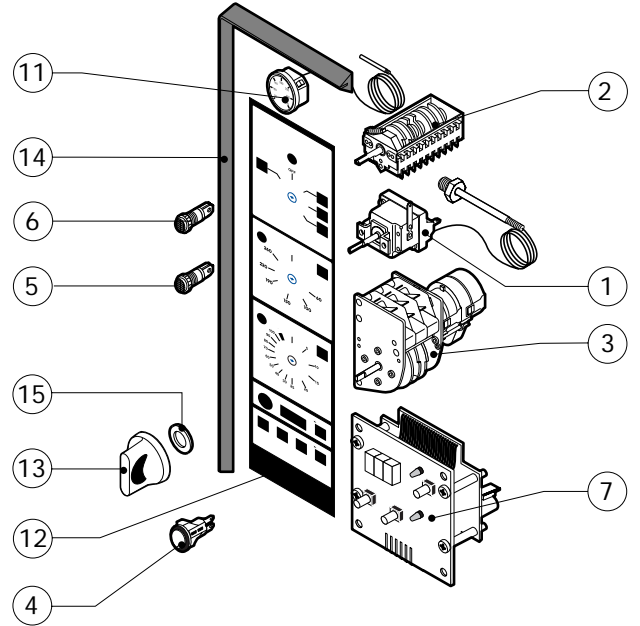
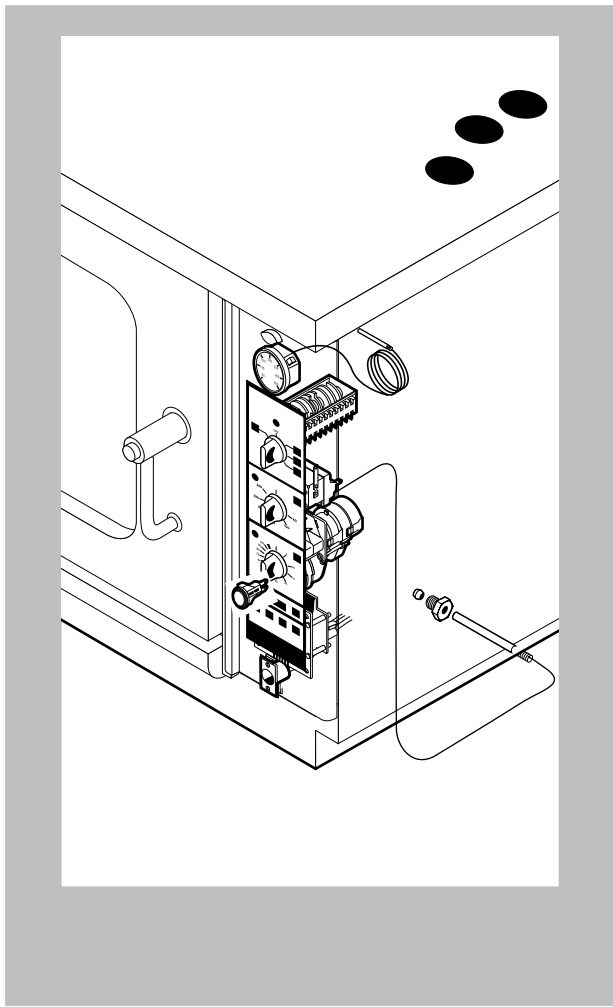
POS.	CODE	PIECES	DESCRIPTION
20	R65190180	1	CAPACITOR 10 µF
21	R65200086	1	FUSE 0.125A (T)
22	R65200200	1	FUSE 2A
23	R65200320	1	FUSE 0.2A (T)
24	R65210020	3	FUSE CARRIER
25	R65220090	1	TERMINAL BOARD
26	R65260540	1	DOOR SWITCH
27	R65280130	3	INTERFERENCE SUPPRESSOR
28	R65280200	3	INTERFERENCE SUPPRESSOR
29	R65300490	1	RELAYS P.C. BOARD
30	R65330010	1	BUZZER
31	R70020040	1	MOTOR GASKET
32	R75400400	1	FAN Ø 220x78/12 50HZ P.D. KIT



POS.	CODE	PIECES	DESCRIPTION
1	R04403460	1	CHAMBER VENT PLATE Ø 46
2	R10102500	1	STEAM GENERATOR ASSEMBLY
3	R10200900	1	STEAM GENERATOR
4	R10201700	1	DRAIN FILTER
5	R58003460	1	CHAMBER VENT ROD
6	R58005680	1	STEAM GENERATOR DESCALING CAP 1"1/4 F
7	R58006090	1	STEAM QUENCHING NOZZLE Ø 1
8	R61630011	10	METAL CLAMPS 12-22/9
9	R61630021	2	METAL CLAMPS 30-45/9
10	R61630031	2	METAL CLAMPS 40-60/9
11	R65011540	1	CHAMBER HEATING ELEMENT 7500W
12	R65020350	1	STEAM GENERATOR HEATING ELEMENT 7500W
13	R65110540	1	STEAM GENERATOR DRAIN MOTORIZED VALVE
14	R65320010	2	STEAM GENERATOR LEVEL PROBE
15	R69010410	1	STEAM OUTLET KNOB
16	R70050040	1	STEAM GENERATOR CAP GASKET
17	R70060010	2	SILICON COUPLING Ø 30
18	R70060040	1	SILICON COUPLING Ø 50
19	R70060060	1	SILICON COUPLING Ø 15



POS.	CODE	PIECES	DESCRIPTION
20	R70060080	1	SILICON COUPLING Ø 13



POS.	CODE	PIECES	DESCRIPTION
1	R65070210	1	CABINET THERMOSTAT 50/270°C
2	R65080020	1	MAIN SELECTOR SWITCH
3	R65090200	1	TIMER
4	R65260520	1	HUMIDIFIER PUSH BUTTON
5	R65270220	2	ORANGE INDICATING LIGHT
6	R65270230	1	GREEN INDICATING LIGHT
7	R65300540	1	CONTROL PANEL P.C. BOARD
8	R65320900	1	CORE TEMPERATURE PROBE
9	R65320920	1	CORE TEMPERATURE PROBE FEMALE CONNECTOR
10	R65321020	1	COVER FOR FEMALE CONNECTOR
11	R65340050	1	THERMOMETER
12	R67012360	1	LAINOX PLATE
13	R69030150	3	KNOB KIT
14	R70040830	1	CONTROL PANEL GASKET
15	R70050020	6	KNOB GASKET
16	R86020420	1	CORE TEMPERATURE PROBE BOX

POS.	CODE	PIECES	DESCRIPTION