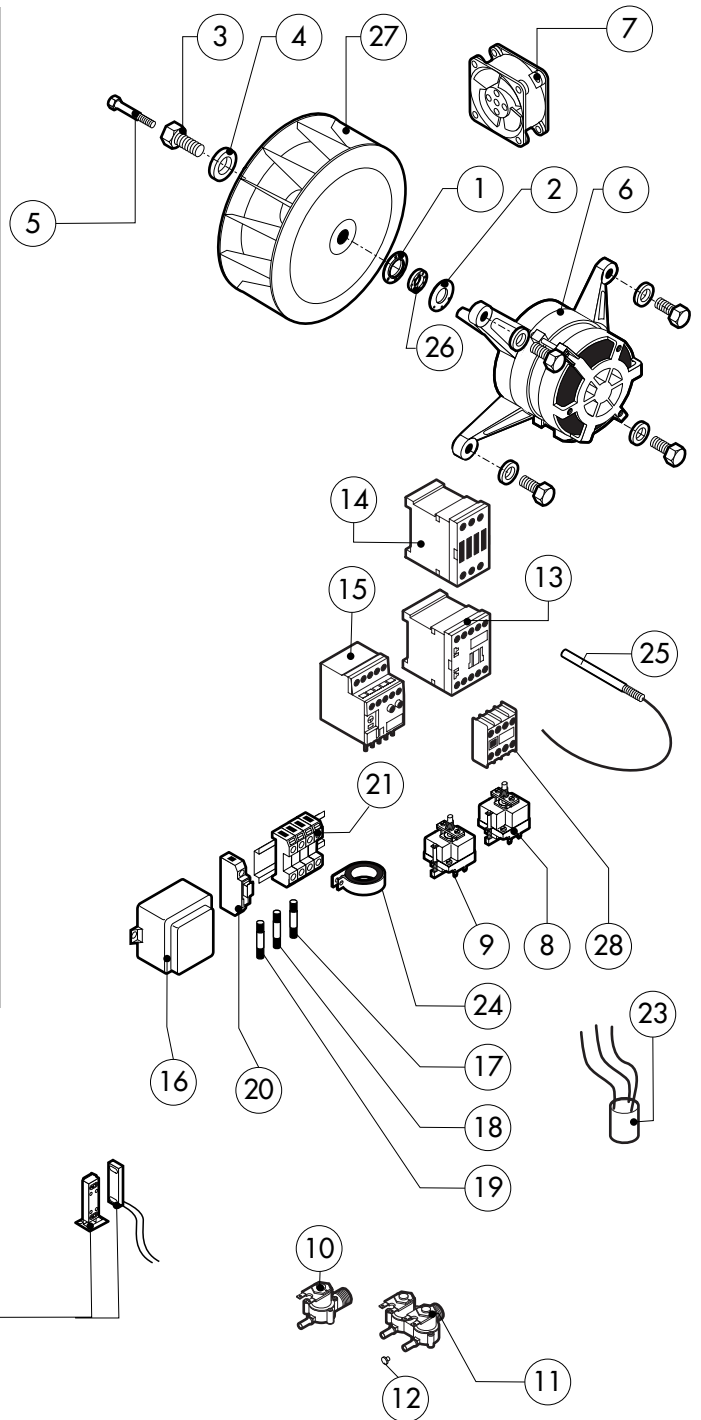
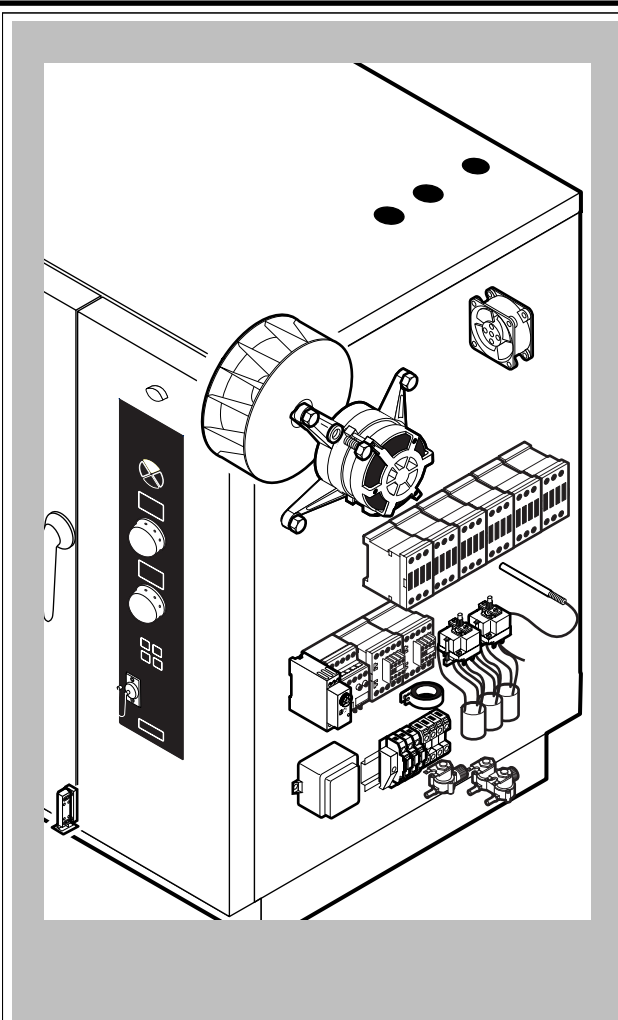


POS.	CODE	PIECES	DESCRIPTION
1	R11101370	1	DOOR UNTIL CRXXXXXX0
	R11101440	1	DOOR FROM CRXXXXXX1
2	R11207360	1	INNER DOOR PANEL UNTIL CRXXXXXX0
	R11202160	1	INNER DOOR PANEL FROM CRXXXXXX1
3	R11100140	1	INNER DOOR GLASS
4	R69180000	1	DOOR DRIP TRAY DRAINAGE
5	R58001760	2	INNER GLASS SOLID HINGE
6	R58001770	2	INNER GLASS HINGE PIN
7	R58001780	2	INNER GLASS CATCH KIT
8	R11401340	1	TOP "C" PROFILE
9	R11401360	1	LOWER "C" PROFILE
10	R11207250	1	LOWER DOOR HINGE UNTIL CRXXXXXX0
	R11207240	1	LOWER DOOR HINGE FROM CRXXXXXX1
11	R58002520	1	LOWER HINGE PIN UNTIL CRXXXXXX0
	R58002670	1	LOWER HINGE PIN FROM CRXXXXXX1
12	R11200560	1	UPPER DOOR HINGE
13	R58002150	1	HINGE PIN
14	R58004050	2	NUT FOR UPPER DOOR HINGE
15	R10401710	1	WASHER FOR UPPER DOOR HINGE

POS.	CODE	PIECES	DESCRIPTION
16	R70050100	6	GLASS SILICON SPACERS
17	R70044150	1	GLASS GASKET
18	R66110320	1	DOOR LAMPS CABLE SET
19	R11401440	2	LAMP COVER
20	R71500150	2	GLASS LAMP
21	R70044200	2	LAMP GASKET
22	R11401450	2	GLASS HOLDER LAMP FLANGE
23	R65270020	2	LIGHT 20W 12V G4
24	R65270450	2	LIGHT SOCKET
25	R65260750	1	LAMPS CONTACT BLOCK
26	R66110320	1	LAMPS CONTACT CABLE SET
27	R11100300	1	DOOR HANDLE ASSEMBLY
28	R69010260	1	DOOR LATCH 1 STEP
29	R69010270	1	DOOR LATCH 2 STEP
30	R69010250	1	DOOR CATCH KIT
31	R69010630	1	INNER DOOR CATCH PLASTIC COVER
32	R61620132	1	PRONG FLANGE



POS.	CODE	PIECES	DESCRIPTION
1	R58003840	1	MOTOR GASKET BRASS FLANGE
2	R58003850	1	MOTOR GASKET BRASS COUNTER FLANGE
3	R58004000	1	FAN SCREW M12x1.5 SX
4	R58004010	1	FAN WASHER Ø 30/12.5
5	R61020562	1	FAN SCREW TE A2 M6x55
6	*R65040061	1	MOTOR HP 1 F3 P4 200-480V KIT UNTIL N <sub>3</sub> 3005
	*R65040530	1	MOTOR KW 055 F3 P4 200-440V KIT FROM N <sub>3</sub> 3105
7	R65060050	2	COMPONENTS VENTILATION MOTOR Ø 120
8	R65070350	1	CHAMBER SAFETY THERMOSTAT
9	R65070081	1	STEAM GENERATOR SAFETY THERMOSTAT
10	R65110200	1	SOLENOID VALVE 220V 50HZ
11	R65110210	1	SOLENOID VALVE 220V 50HZ
12	R65110510	1	15 LT/H WATER FLOW REDUCER
13	*R65140380	2	CONTACTOR 3RT1016-1AP02 240V
14	*R65140400	6	CONTACTOR 3RT1025-1AL20 240V
15	*R65140580	1	THERMIC PROTECTION 3RU1116-1CB0 1,8-2,5A UNTIL N <sub>3</sub> 3005
	*R65140620	1	THERMIC PROTECTION 3RU1116-1BBO 1,4-2,0A FROM N <sub>3</sub> 3105
16	R65180430	1	TRANSFORMER 40VA
17	R65200200	1	FUSE 2A

POS.	CODE	PIECES	DESCRIPTION
18	R65200320	1	FUSE 0.25A (T)
19	R65200120	1	FUSE 0.1A
20	R65210020	3	FUSE CARRIER
21	R65220130	1	TERMINAL BOARD
22	R65265100	1	DOOR SWITCH
23	*R65280200	3	INTERFERENCE SUPPRESSOR
24	*R65280450	1	FERRITE
25	R65325000	3	PROBE PT100
26	R70020050	1	MOTOR GASKET
27	*R75400440	1	FAN Ø 350x114/12 50HZ P.D. KIT
28	*R65140430	2	AUX.CONTACT 1L+1R 3RH1921-1FA11

\*COMPONENT SUBMITTED TO CHANGEMENTS CAUSED BY TENSION DIFFERENT FROM THE STANDARD (3N AC400V 50HZ)



