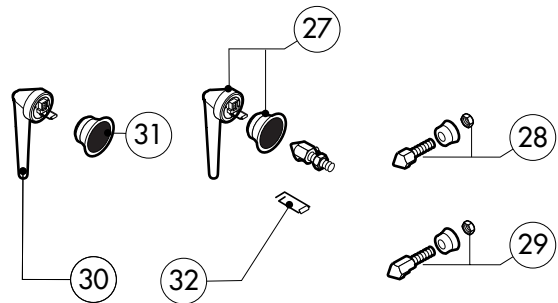
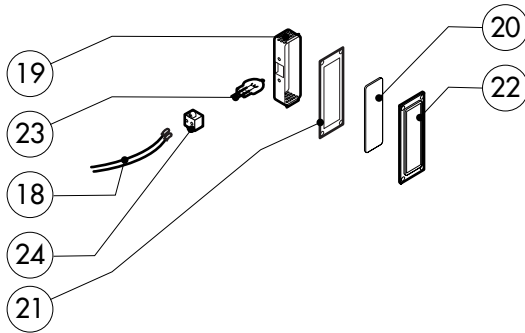
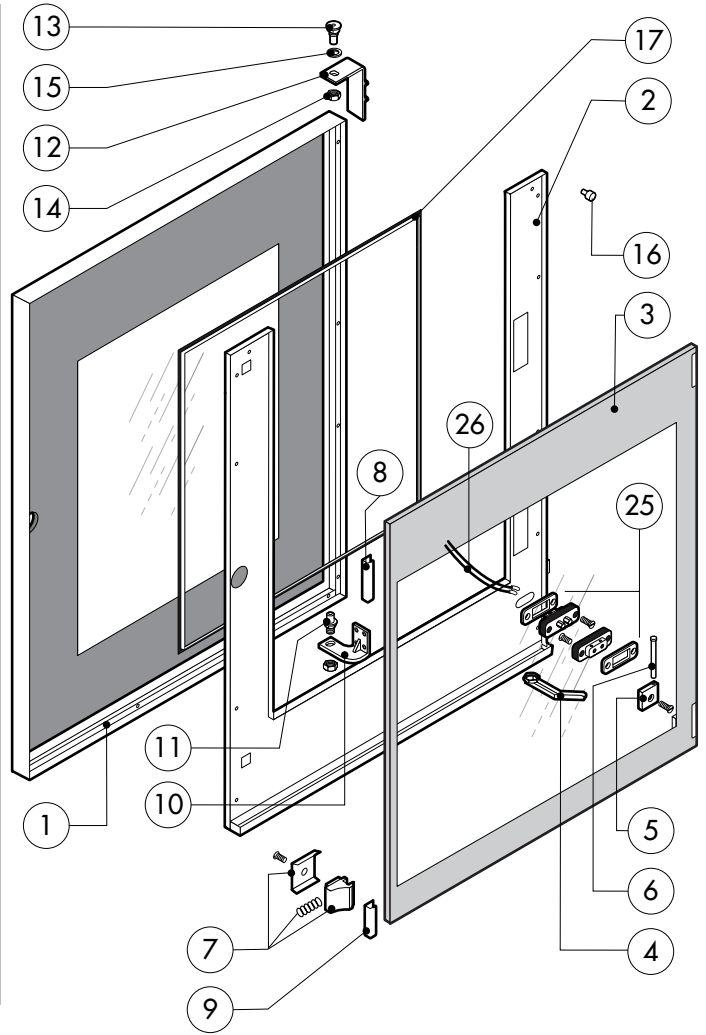
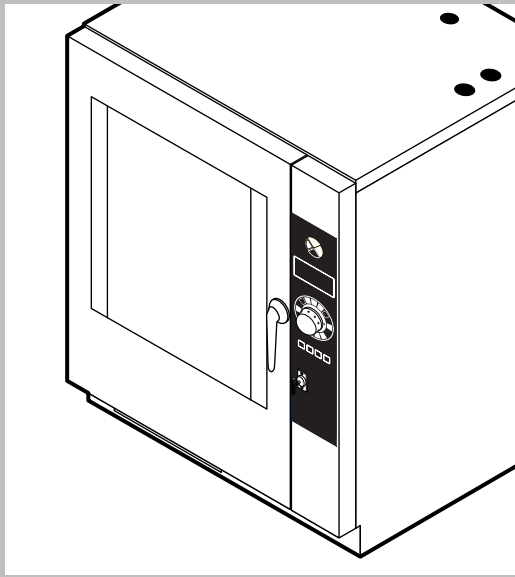


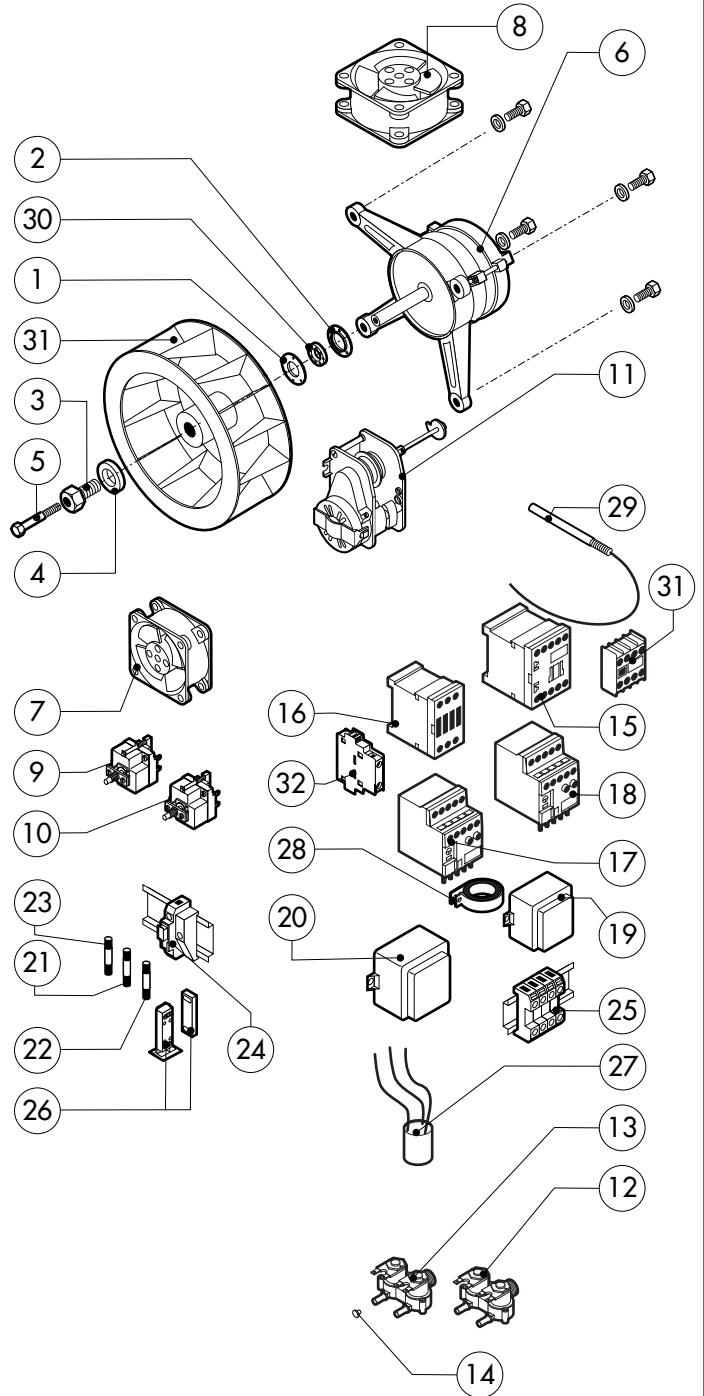
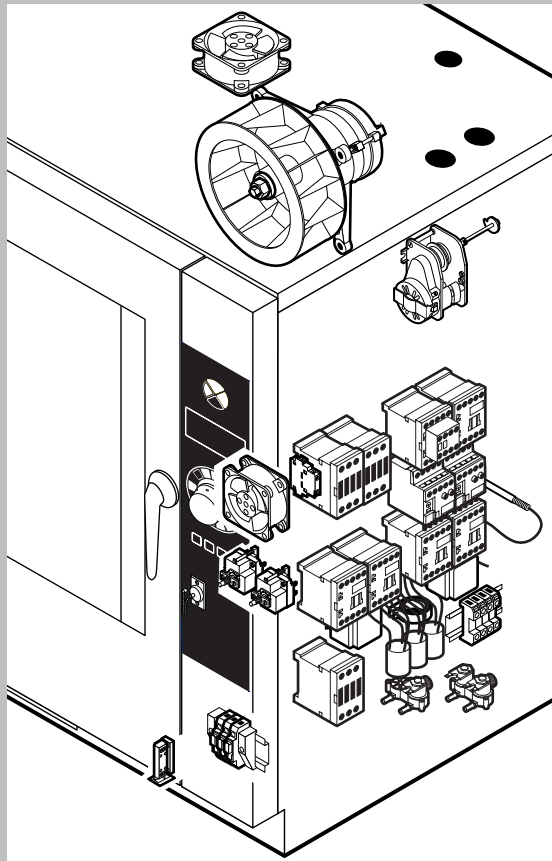
| POS. | CODE      | PIECES | DESCRIPTION                             |
|------|-----------|--------|---|
| 1    | R11100110 | 1      | DOOR ASSEMBLY UNTIL CRXXXXXX3           |
|      | R11101130 | 1      | DOOR ASSEMBLY FROM CRXXXXXX4            |
| 2    | R11202020 | 1      | CONTROL PANEL                           |
| 3    | R11201970 | 1      | SPRITZER EXTENSION                      |
| 4    | R11200380 | 1      | SPRITZER UNION                          |
| 5    | R11201500 | 1      | COOKING CABINET ASSEMBLY                |
| 6    | R11201640 | 1      | WASHING SYSTEM COOKING CABINET ASSEMBLY |
| 7    | R11201800 | 1      | FAN GUARD PANEL ASSEMBLY                |
| 8    | R11201700 | 1      | RIGHT SIDE PANEL UNTIL CRXXXXXX3        |
|      | R11202130 | 1      | RIGHT SIDE PANEL FROM CRXXXXXX4         |
| 9    | R11201710 | 1      | LEFT SIDE PANEL UNTIL CRXXXXXX3         |
|      | R11202140 | 1      | LEFT SIDE PANEL FROM CRXXXXXX4          |
| 10   | R11404020 | 1      | REAR PANEL UNTIL CRXXXXXX3              |
|      | R11403990 | 1      | REAR PANEL FROM CRXXXXXX4               |
| 11   | R11201610 | 1      | COVER PANEL UNTIL CRXXXXXX3             |
|      | R11202060 | 1      | COVER PANEL FROM CRXXXXXX4              |
| 12   | R58003100 | 2      | FAN GUARD FASTENING SCREW               |
| 13   | R70044110 | 1      | FRONT GASKET                            |
| 14   | R75300090 | 1      | FAN GUARD GRID Ø 350                    |

| POS. | CODE      | PIECES | DESCRIPTION       |
|------|-----------|--------|-------------------|
| 15   | R11100250 | 1      | COMPLETE DRAWER   |
| 16   | R62200131 | 1      | SHOWER KIT        |
| 17   | R62200133 | 1      | SHOWER HANDLE     |
| 18   | R11201850 | 1      | REMOVABLE RACK DX |
| 19   | R11201860 | 1      | REMOVABLE RACK SX |
|      |           |        |                   |
|      |           |        |                   |
|      |           |        |                   |
|      |           |        |                   |
|      |           |        |                   |
|      |           |        |                   |
|      |           |        |                   |
|      |           |        |                   |
|      |           |        |                   |
|      |           |        |                   |
|      |           |        |                   |
|      |           |        |                   |
|      |           |        |                   |
|      |           |        |                   |



| POS. | CODE      | PIECES | DESCRIPTION                             |
|------|-----------|--------|---|
| 1    | R11100170 | 1      | DOOR UNTIL CRXXXXXX3                    |
|      | R11101440 | 1      | DOOR FROM CRXXXXXX4                     |
| 2    | R11201910 | 1      | INNER DOOR PANEL UNTIL CRXXXXXX3        |
|      | R11202160 | 1      | INNER DOOR PANEL FROM CRXXXXXX4         |
| 3    | R11100140 | 1      | INNER DOOR GLASS                        |
| 4    | R11200520 | 1      | DOOR DRIP TRAY DRAINAGE UNTIL CRXXXXXX3 |
|      | R69180000 | 1      | DOOR DRIP TRAY DRAINAGE FROM CRXXXXXX4  |
| 5    | R58001760 | 2      | INNER GLASS SOLID HINGE                 |
| 6    | R58001770 | 2      | INNER GLASS HINGE PIN                   |
| 7    | R58001780 | 2      | INNER GLASS CATCH KIT                   |
| 8    | R11401340 | 1      | TOP "C" PROFILE                         |
| 9    | R11401360 | 1      | LOWER "C" PROFILE                       |
| 10   | R11200550 | 1      | LOWER DOOR HINGE UNTIL CRXXXXXX1        |
|      | R11200551 | 1      | LOWER DOOR HINGE UNTIL CRXXXXXX2        |
|      | R11207240 | 1      | LOWER DOOR HINGE FROM CRXXXXXX4         |
| 11   | R58002670 | 1      | LOWER HINGE PIN                         |
| 12   | R11200560 | 1      | UPPER DOOR HINGE                        |
| 13   | R58002150 | 1      | HINGE PIN                               |
| 14   | R58004050 | 2      | NUT FOR UPPER DOOR HINGE                |

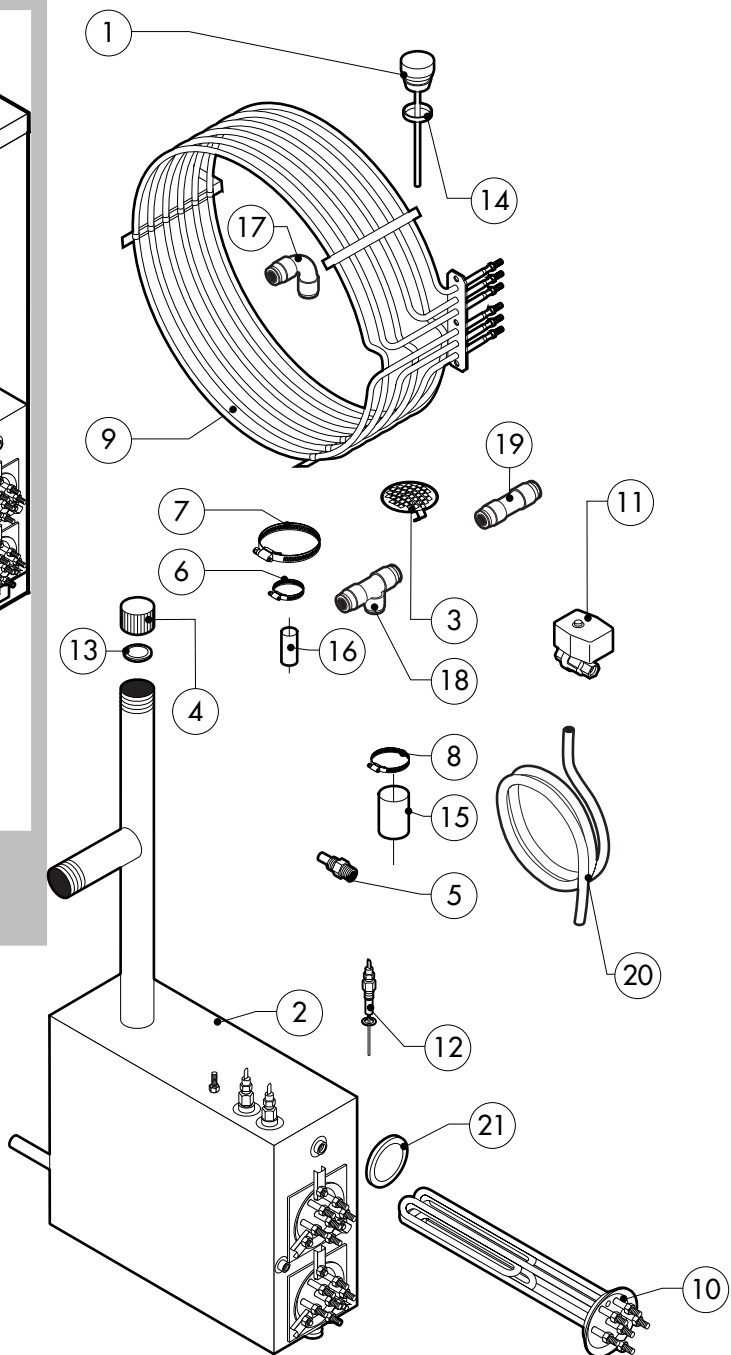
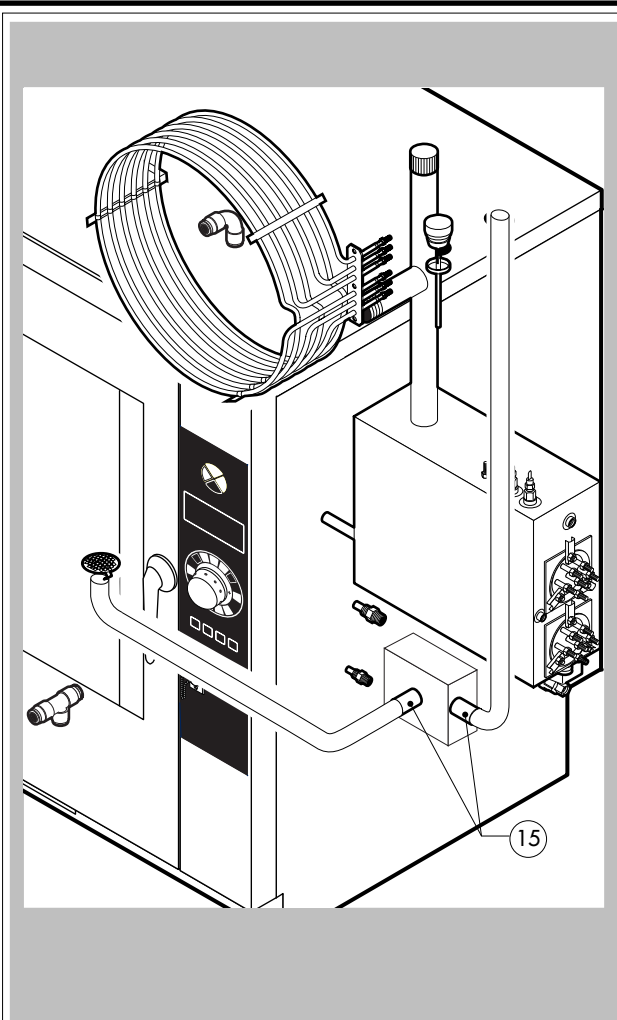
| POS. | CODE      | PIECES | DESCRIPTION                    |
|------|-----------|--------|--------------------------------|
| 15   | R10401710 | 1      | WASHER FOR UPPER DOOR HINGE    |
| 16   | R70050100 | 6      | GLASS SILICON SPACERS          |
| 17   | R70044150 | 1      | GLASS GASKET                   |
| 18   | R66110320 | 1      | DOOR LAMPS CABLE SET           |
| 19   | R11401440 | 2      | LAMP COVER                     |
| 20   | R71500150 | 2      | GLASS LAMP                     |
| 21   | R70044200 | 2      | LAMP GASKET                    |
| 22   | R11401450 | 2      | GLASS HOLDER LAMP FLANGE       |
| 23   | R65270020 | 2      | LIGHT 20W 12V G4               |
| 24   | R65270450 | 2      | LIGHT SOCKET                   |
| 25   | R65260750 | 1      | LAMPS CONTACT BLOCK            |
| 26   | R66110300 | 1      | LAMPS CONTACT CABLE SET        |
| 27   | R11100300 | 1      | DOOR HANDLE ASSEMBLY           |
| 28   | R69010260 | 1      | DOOR LATCH 1 STEP              |
| 29   | R69010270 | 1      | DOOR LATCH 2 STEP              |
| 30   | R69010250 | 1      | DOOR CATCH KIT                 |
| 31   | R69010630 | 1      | INNER DOOR CATCH PLASTIC COVER |
| 32   | R61620132 | 1      | PRONG FLANGE                   |



| POS. | CODE       | PIECES | DESCRIPTION                                   |
|------|------------|--------|---|
| 1    | R58003840  | 1      | MOTOR GASKET BRASS FLANGE                     |
| 2    | R58003850  | 1      | MOTOR GASKET BRASS COUNTER FLANGE             |
| 3    | R58004000  | 1      | FAN SCREW M12x1.5 SX                          |
| 4    | R58004010  | 1      | FAN WASHER Ø 30/12.5                          |
| 5    | R61020562  | 1      | FAN SCREW TE A2 M6x55                         |
| 6    | *R65040520 | 1      | MOTOR 055/015 KW KIT                          |
| 7    | R65060050  | 1      | VENTILATION MOTOR Ø 120                       |
| 8    | R65060060  | 1      | VENTILATION MOTOR Ø 150 - UNTIL №3503CRXXXXX1 |
|      | R65060050  | 1      | VENTILATION MOTOR Ø 120 - FROM №3603CRXXXXX2  |
| 9    | R65070350  | 1      | CHAMBER SAFETY THERMOSTAT                     |
| 10   | R65070081  | 1      | STEAM GENERATOR SAFETY THERMOSTAT             |
| 11   | R65095000  | 1      | DAMPER SYSTEM                                 |
| 12   | R65110210  | 1      | SOLENOID VALVE 220V 50HZ                      |
| 13   | R65110230  | 1      | SOLENOID VALVE 220V 50HZ WITH FLOW REDUCER    |
| 14   | R65110510  | 1      | 15 LT/H WATER FLOW REDUCER                    |
| 15   | *R65140380 | 6      | CONTACTOR 3RT1016-1AP02 240V                  |
| 16   | *R65140400 | 3      | CONTACTOR 3RT1025-1AL20 240V                  |
| 17   | *R65160570 | 1      | THERMIC PROTECTION 3RU1116-0JB0 0,7-1A        |
| 18   | *R65160620 | 1      | THERMIC PROTECTION 3RU1116-1BB0 1,4-2,0A      |

| POS. | CODE       | PIECES | DESCRIPTION                     |
|------|------------|--------|---------------------------------|
| 19   | R65180420  | 1      | TRANSFORMER 20VA                |
| 20   | R65180430  | 1      | TRANSFORMER 40VA                |
| 21   | R65200086  | 1      | FUSE 0.125A (T)                 |
| 22   | R65200200  | 1      | FUSE 2A                         |
| 23   | R65200090  | 1      | FUSE 0.2A (T)                   |
| 24   | R65210020  | 3      | FUSE CARRIER                    |
| 25   | R65220080  | 1      | TERMINAL BOARD                  |
| 26   | R65265100  | 1      | DOOR SWITCH                     |
| 27   | *R65280200 | 3      | INTERFERENCE SUPPRESSOR         |
| 28   | *R65280450 | 1      | FERRITE                         |
| 29   | R65325000  | 3      | PROBE PT100                     |
| 30   | R70020050  | 1      | MOTOR GASKET                    |
| 31   | *R75400440 | 1      | FAN Ø 350x114/12 50HZ P.D. KIT  |
| 32   | *R65140420 | 1      | AUX.CONTACT 1L+1R 3RH1911-1FA11 |
| 33   | *R65140430 | 1      | AUX.CONTACT 1L+1R 3RH1921-1FA11 |

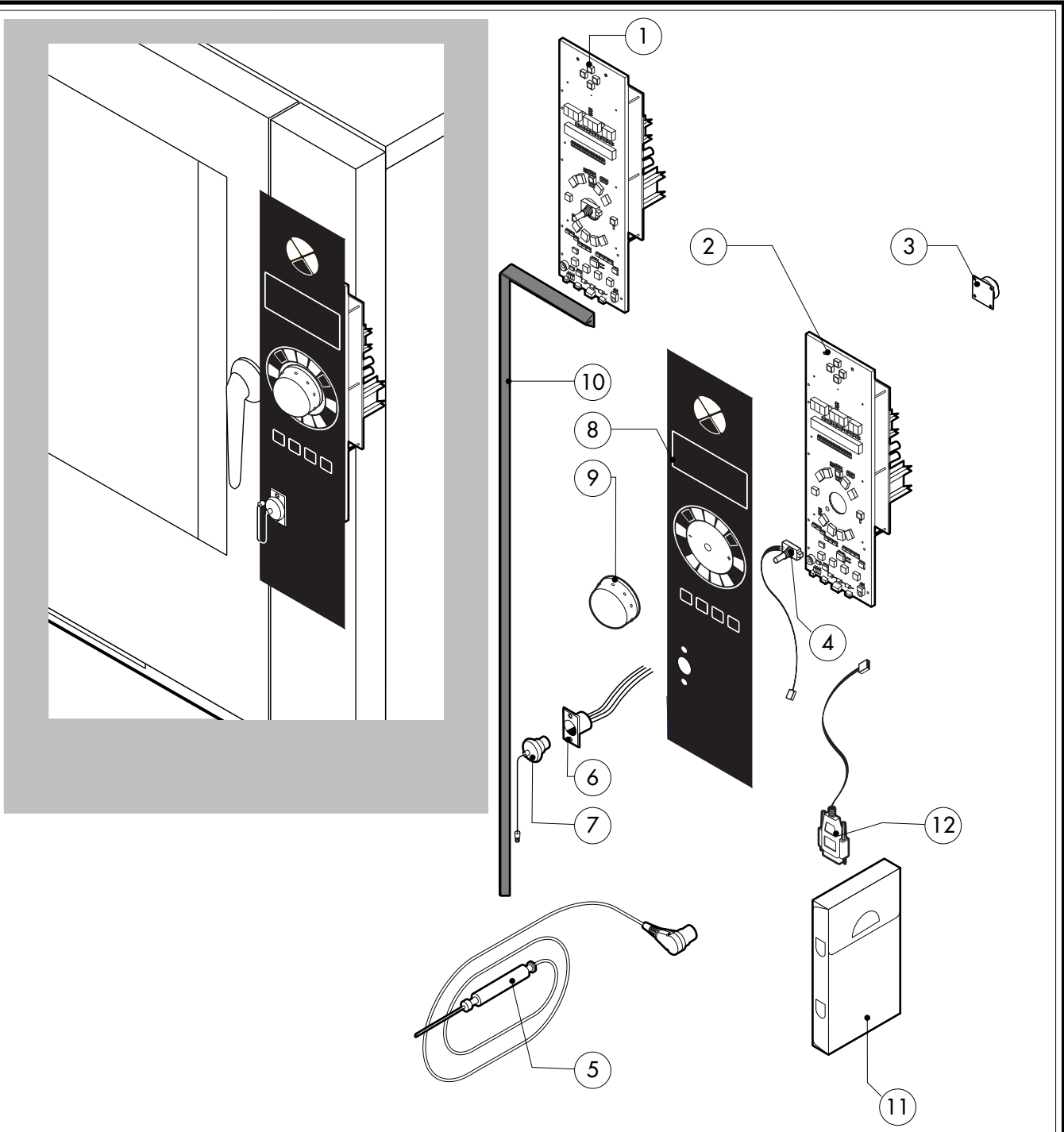
\*COMPONENT SUBMITTED TO CHANGEMENTS CAUSED BY TENSION DIFFERENT FROM THE STANDARD (3N AC400V 50HZ)



| POS. | CODE       | PIECES | DESCRIPTION                           |
|------|------------|--------|---------------------------------------|
| 1    | R10100140  | 1      | DAMPER SYSTEM CAP                     |
| 2    | R11100430  | 1      | STEAM GENERATOR ASSEMBLY              |
| 3    | R10201700  | 1      | DRAIN FILTER                          |
| 4    | R58005680  | 1      | STEAM GENERATOR DESCALING CAP 1"1/4 F |
| 5    | R58006130  | 2      | STEAM QUENCHING NOZZLE Ø 1            |
| 6    | R61630011  | 2      | METAL CLAMPS 12-22/9                  |
| 7    | R61630091  | 2      | METAL CLAMPS 140-160/9                |
| 8    | R61630031  | 4      | METAL CLAMPS 40-60/9                  |
| 9    | *R65011310 | 1      | CHAMBER HEATING ELEMENT 15000W        |
| 10   | *R65020350 | 2      | STEAM GENERATOR HEATING ELEMENT 7500W |
| 11   | R65110560  | 1      | STEAM GENERATOR DRAIN MOTORIZED VALVE |
| 12   | R65320010  | 2      | STEAM GENERATOR LEVEL PROBE           |
| 13   | R70050040  | 1      | STEAM GENERATOR CAP GASKET            |
| 14   | R70060020  | 1      | DAMPER SYSTEM CAP GASKET              |
| 15   | R70060040  | 2      | SILICON COUPLING Ø 50                 |
| 16   | R70060080  | 1      | SILICON COUPLING Ø 13                 |
| 17   | R62090478  | 7      | ELBOW MIDLING PIPE FITTING D.10       |
| 18   | R62090468  | 1      | "T" MIDLING PIPE FITTING D.10         |
| 19   | R62090458  | 2      | STRAIGHT MIDLING PIPE FITTING D.10    |

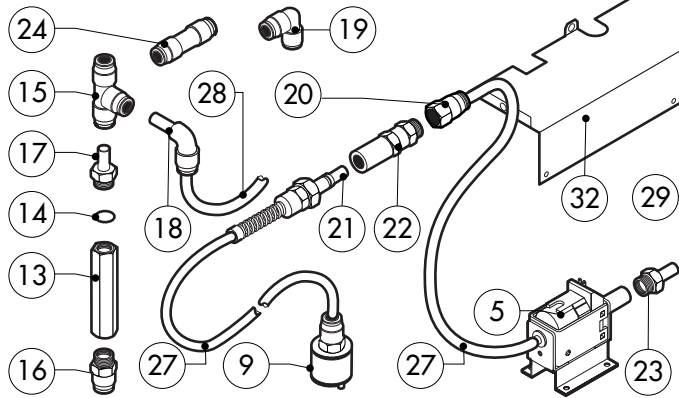
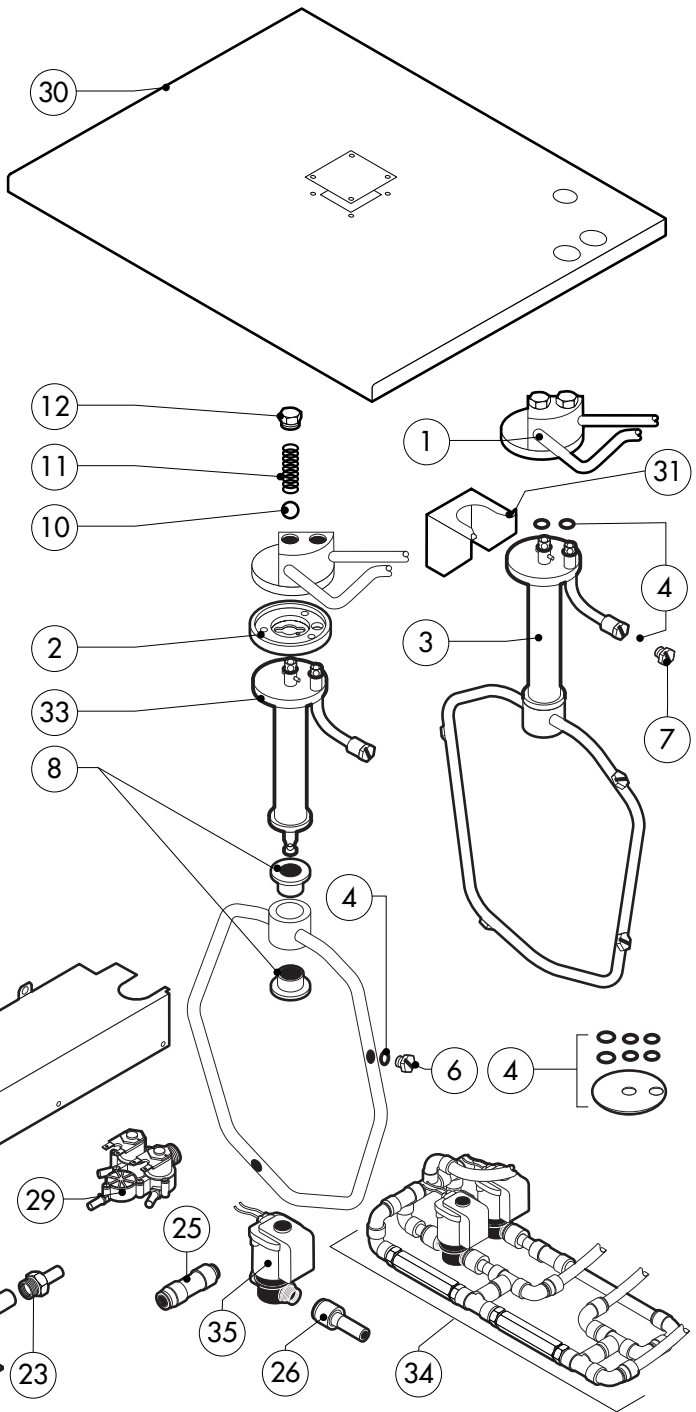
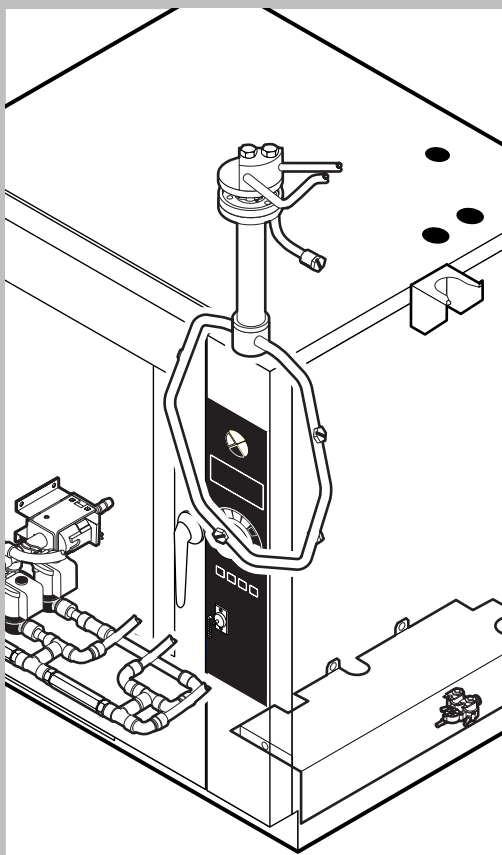
| POS. | CODE      | PIECES | DESCRIPTION                                   |
|------|-----------|--------|---|
| 20   | R70070050 | 1      | PE D.10 MM X7 WATER FLEXIBLE PIPE (3 MT LONG) |
| 21   | R70045010 | 2      | STEAM GENERATOR HEATING ELEMENT GASKET        |
|      |           |        |   |
|      |           |        |   |
|      |           |        |   |
|      |           |        |   |
|      |           |        |   |
|      |           |        |   |
|      |           |        |   |
|      |           |        |   |
|      |           |        |   |
|      |           |        |   |
|      |           |        |   |
|      |           |        |   |
|      |           |        |   |
|      |           |        |   |
|      |           |        |   |
|      |           |        |   |
|      |           |        |   |
|      |           |        |   |
|      |           |        |   |

\*COMPONENT SUBMITTED TO CHANGEMENTS CAUSED BY TENSION DIFFERENT FROM THE STANDARD (3N AC400V 50HZ)



| POS. | CODE      | PIECES | DESCRIPTION                             |
|------|-----------|--------|---|
| 1    | R65301460 | 1      | CONTROL PANEL P.C. BOARD                |
| 2    | R65301420 | 1      | CONTROL PANEL P.C. BOARD "IT" MOD       |
| 3    | R65301440 | 1      | PC BOARD BUZZER                         |
| 4    | R65301450 | 1      | FRONT PC BOARD ENCODER                  |
| 5    | R65321100 | 1      | CORE TEMPERATURE PROBE                  |
| 6    | R65321110 | 1      | CORE TEMPERATURE PROBE FEMALE CONNECTOR |
| 7    | R65321020 | 1      | COVER FOR FEMALE CONNECTOR              |
| 8    | R67012900 | 1      | LAINOX PLATE                            |
| 9    | R69030250 | 1      | KNOB                                    |
| 10   | R70044260 | 1      | CONTROL PANEL GASKET                    |
| 11   | R86020420 | 1      | CORE TEMPERATURE PROBE BOX              |
| 12   | R65301580 | 1      | PC BOARD SERIES CONNECTION              |
|      |           |        |   |
|      |           |        |   |
|      |           |        |   |
|      |           |        |   |
|      |           |        |   |
|      |           |        |   |
|      |           |        |   |

| POS. | CODE | PIECES | DESCRIPTION |
|------|------|--------|-------------|
|      |      |        |             |
|      |      |        |             |
|      |      |        |             |
|      |      |        |             |
|      |      |        |             |
|      |      |        |             |
|      |      |        |             |
|      |      |        |             |
|      |      |        |             |
|      |      |        |             |
|      |      |        |             |
|      |      |        |             |
|      |      |        |             |
|      |      |        |             |
|      |      |        |             |



| POS. | CODE      | PIECES | DESCRIPTION                                     |
|------|-----------|--------|---|
| 1    | R11200880 | 1      | WASHING SYSTEM EXTERNAL ASSEMBLY - UNTIL N°2904 |
|      | R11200881 | 1      | WASHING SYSTEM EXTERNAL ASSEMBLY - FROM N°3004  |
| 2    | R58004960 | 1      | WASHING SYSTEM INNER FLANGE                     |
| 3    | R11100510 | 1      | WASHING DEVICE ASSEMBLY                         |
| 4    | R70045090 | 1      | GASKETS KIT                                     |
| 5    | R65110600 | 1      | DETRGENT PUMP                                   |
| 6    | R62210032 | 4      | 1,3 L/MIN RINSING JET                           |
| 7    | R62210042 | 1      | 0,56 L/MIN DETERGENT JET                        |
| 8    | R58004980 | 2      | WASHING DEVICE ROTATION BUSH                    |
| 9    | R65110650 | 1      | BOTTOM FILTER                                   |
| 10   | R62220012 | 2      | SPHERA D.14                                     |
| 11   | R61620041 | 2      | SPRING  |
| 12   | R58005000 | 2      | 1/2" MALE COVER                                 |
| 13   | R65110640 | 2      | ANTI-BACK FLOW                                  |
| 14   | R70010050 | 4      | OR GASKETS                                      |
| 15   | R62090468 | 5      | "T" MIDLING PIPE FITTING D.10                   |
| 16   | R62090508 | 1      | 10X1/4 STRAIGHT THREADED TERMINAL PIPE FITTING  |
| 17   | R62090518 | 3      | 10X1/4 END SIDE PIPE FITTING (WITH TANG)        |
| 18   | R62090528 | 10     | ELBOW PIPE FITTING (WITH TANG) 10 X 10          |

| POS. | CODE      | PIECES | DESCRIPTION                                      |
|------|-----------|--------|--|
| 19   | R62090478 | 4      | ELBOW MIDLING PIPE FITTING D.10                  |
| 20   | R62090538 | 1      | 1/4" FEMALE STRAIGHT PIPE FITTING FOR D.8X6 PIPE |
| 21   | R62090482 | 1      | RAPID MALE PIPE FITTING                          |
| 22   | R62090492 | 1      | RAPID FEMALE PIPE FITTING                        |
| 23   | R62090608 | 1      | 8X1/8 END SIDE PIPE FITTING (WITH TANG)          |
| 24   | R62090458 | 1      | STRAIGHT MIDLING PIPE FITTING D.10               |
| 25   | R62090618 | 1      | 10-8 REDUCTION PIPE FITTING                      |
| 26   | R62090548 | 4      | 10-6 REDUCTION PIPE FITTING                      |
| 27   | R70070100 | 1      | PE D.8 MM X 6 DETERGENT FLEXIBLE PIPE            |
| 28   | R70070050 | 1      | PE D.10 MM X7 WATER FLEXIBLE PIPE (3 MT LONG)    |
| 29   | R65110240 | 1      | SOLENOID VALVE 220V 50HZ WITH FLOW REDUCER       |
| 30   | R11201600 | 1      | COVER PANEL                                      |
| 31   | R11402000 | 1      | WASHING DEVICE EXTERNAL HOLDER                   |
| 32   | R11400680 | 1      | PROTECTION PLATE                                 |
| 33   | R11100570 | 1      | TUBE DEVICE SUPPORT WASHING                      |
| 34   | R62300018 | 1      | ANTI-BACK FLOW DEVICE ASSEMBLY - UNTIL N°2904    |
|      | R62300028 | 1      | ANTI-BACK FLOW DEVICE ASSEMBLY - FROM N°3004     |
| 35   | R65110260 | 2      | SOLENOID VALVE D.6 220V 50HZ - FROM N°3004       |