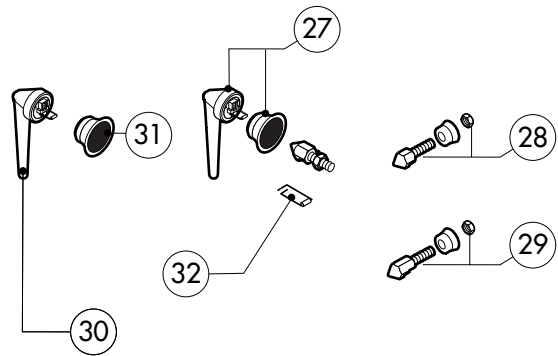
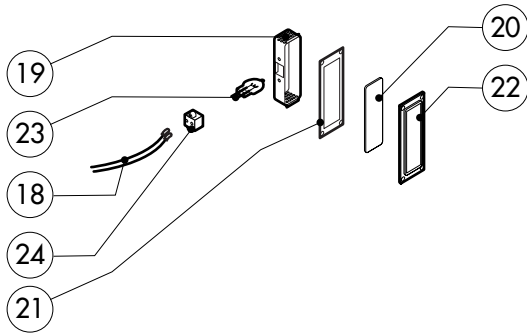
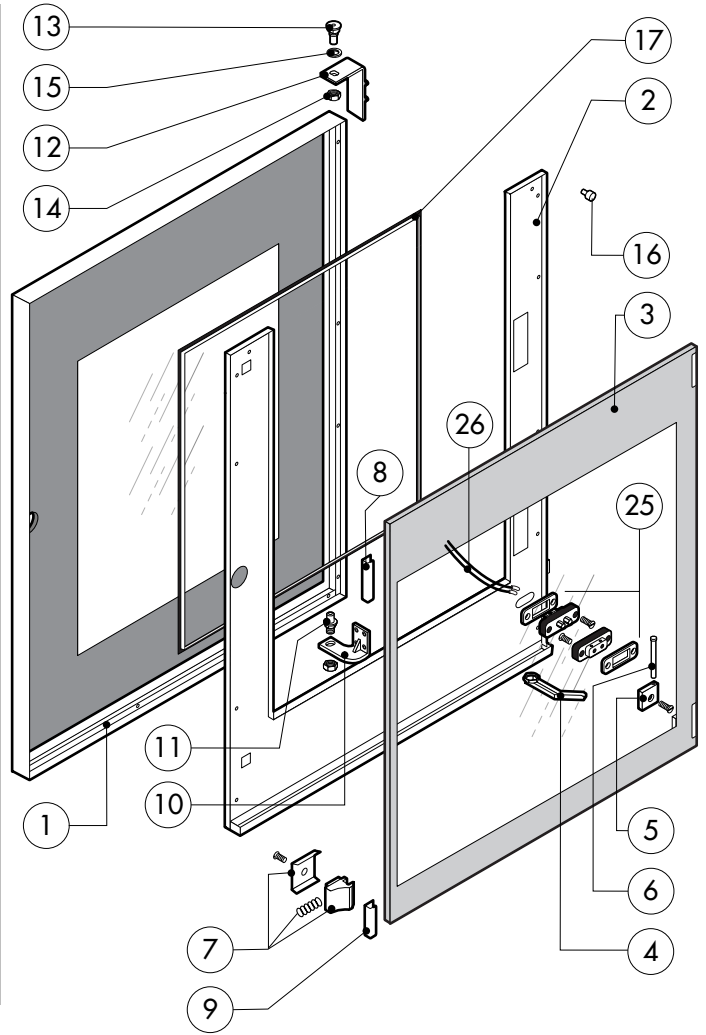
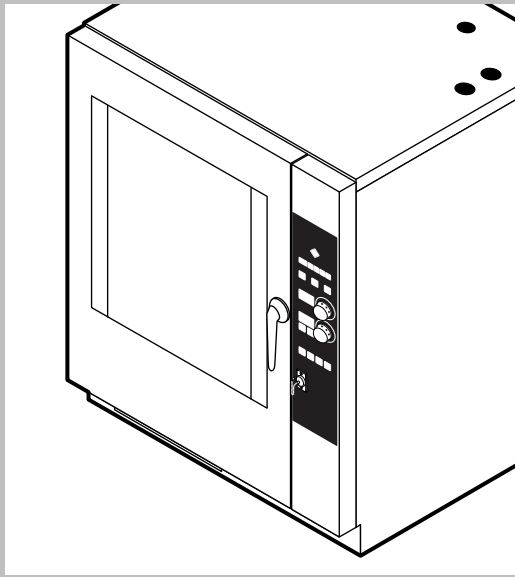


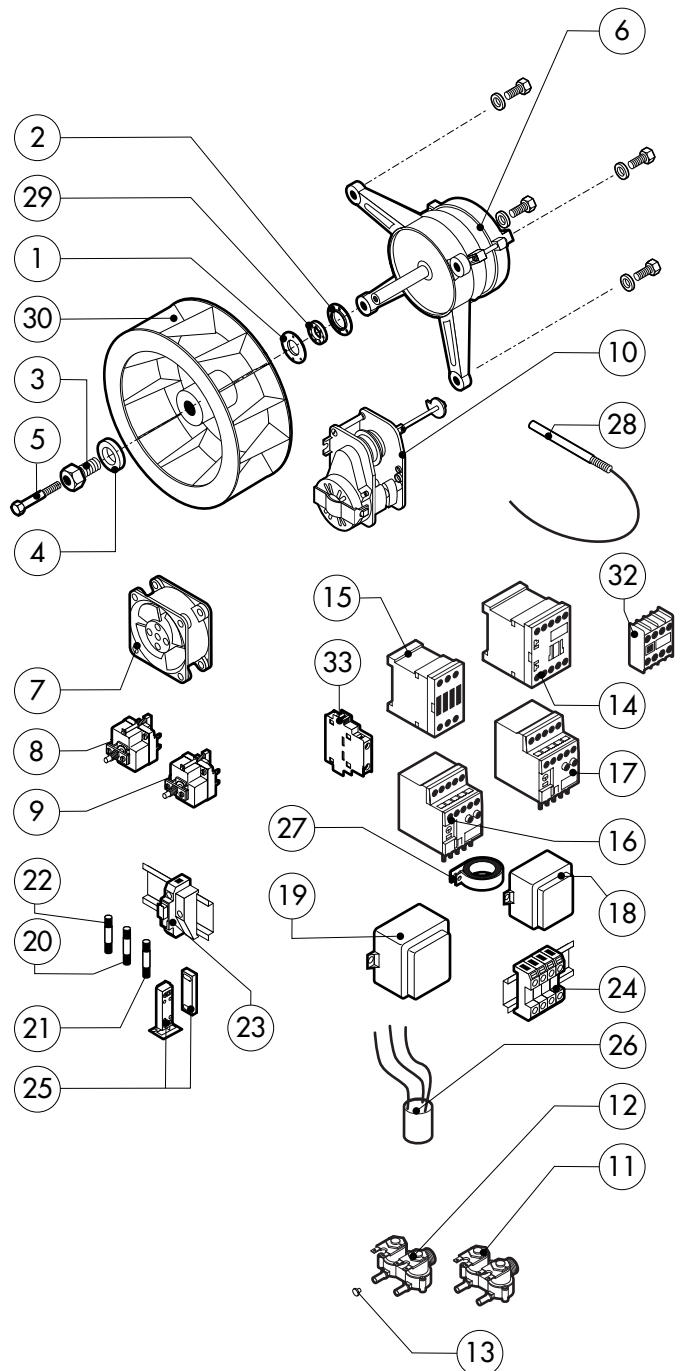
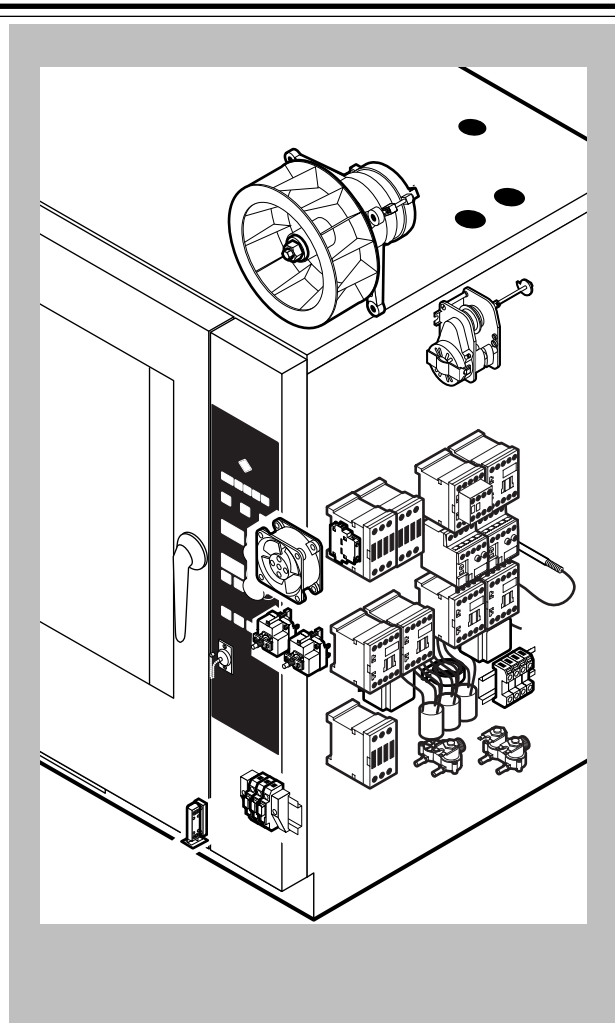
| POS. | CODE | PIECES | DESCRIPTION |
|------|-----------|--------|----------------------------------|
| 1 | R11100110 | 1 | DOOR ASSEMBLY UNTIL CRXXXXXX3 |
| | R11101130 | 1 | DOOR ASSEMBLY FROM CRXXXXXX4 |
| 2 | R11202030 | 1 | CONTROL PANEL |
| 3 | R11201970 | 1 | SPRITZER EXTENSION |
| 4 | R11200380 | 1 | SPRITZER UNION |
| 5 | R11201500 | 1 | COOKING CABINET ASSEMBLY |
| 6 | R11201800 | 1 | FAN GUARD PANEL ASSEMBLY |
| 7 | R11201700 | 1 | RIGHT SIDE PANEL UNTIL CRXXXXXX3 |
| | R11202130 | 1 | RIGHT SIDE PANEL FROM CRXXXXXX4 |
| 8 | R11201710 | 1 | LEFT SIDE PANEL UNTIL CRXXXXXX3 |
| | R11202140 | 1 | LEFT SIDE PANEL FROM CRXXXXXX4 |
| 9 | R11404020 | 1 | REAR PANEL UNTIL CRXXXXXX3 |
| | R11403990 | 1 | REAR PANEL FROM CRXXXXXX4 |
| 10 | R11201610 | 1 | COVER PANEL UNTIL CRXXXXXX3 |
| | R11202060 | 1 | COVER PANEL FROM CRXXXXXX4 |
| 11 | R58003100 | 2 | FAN GUARD FASTENING SCREW |
| 12 | R70044110 | 1 | FRONT GASKET |
| 13 | R75300090 | 1 | FAN GUARD GRID Ø 350 |
| 14 | R11100250 | 1 | COMPLETE DRAWER |

| POS. | CODE | PIECES | DESCRIPTION |
|------|-----------|--------|-------------------|
| 15 | R62200131 | 1 | SHOWER KIT |
| 16 | R62200133 | 1 | SHOWER HANDLE |
| 17 | R11201850 | 1 | REMOVABLE RACK DX |
| 18 | R11201860 | 1 | REMOVABLE RACK SX |
| | | | |
| | | | |
| | | | |
| | | | |
| | | | |
| | | | |
| | | | |
| | | | |
| | | | |
| | | | |
| | | | |
| | | | |
| | | | |
| | | | |
| | | | |
| | | | |
| | | | |
| | | | |
| | | | |
| | | | |



| POS. | CODE | PIECES | DESCRIPTION |
|------|-----------|--------|---|
| 1 | R11100170 | 1 | DOOR UNTIL CRXXXXXX3 |
| | R11101440 | 1 | DOOR FROM CRXXXXXX4 |
| 2 | R11201910 | 1 | INNER DOOR PANEL UNTIL CRXXXXXX3 |
| | R11202160 | 1 | INNER DOOR PANEL FROM CRXXXXXX4 |
| 3 | R11100140 | 1 | INNER DOOR GLASS |
| 4 | R11200520 | 1 | DOOR DRIP TRAY DRAINAGE UNTIL CRXXXXXX3 |
| | R69180000 | 1 | DOOR DRIP TRAY DRAINAGE FROM CRXXXXXX4 |
| 5 | R58001760 | 2 | INNER GLASS SOLID HINGE |
| 6 | R58001770 | 2 | INNER GLASS HINGE PIN |
| 7 | R58001780 | 2 | INNER GLASS CATCH KIT |
| 8 | R11401340 | 1 | TOP "C" PROFILE |
| 9 | R11401360 | 1 | LOWER "C" PROFILE |
| 10 | R11200550 | 1 | LOWER DOOR HINGE UNTIL CRXXXXXX1 |
| | R11200551 | 1 | LOWER DOOR HINGE UNTIL CRXXXXXX2 |
| | R11207240 | 1 | LOWER DOOR HINGE FROM CRXXXXXX4 |
| 11 | R58002670 | 1 | LOWER HINGE PIN |
| 12 | R11200560 | 1 | UPPER DOOR HINGE |
| 13 | R58002150 | 1 | HINGE PIN |
| 14 | R58004050 | 2 | NUT FOR UPPER DOOR HINGE |

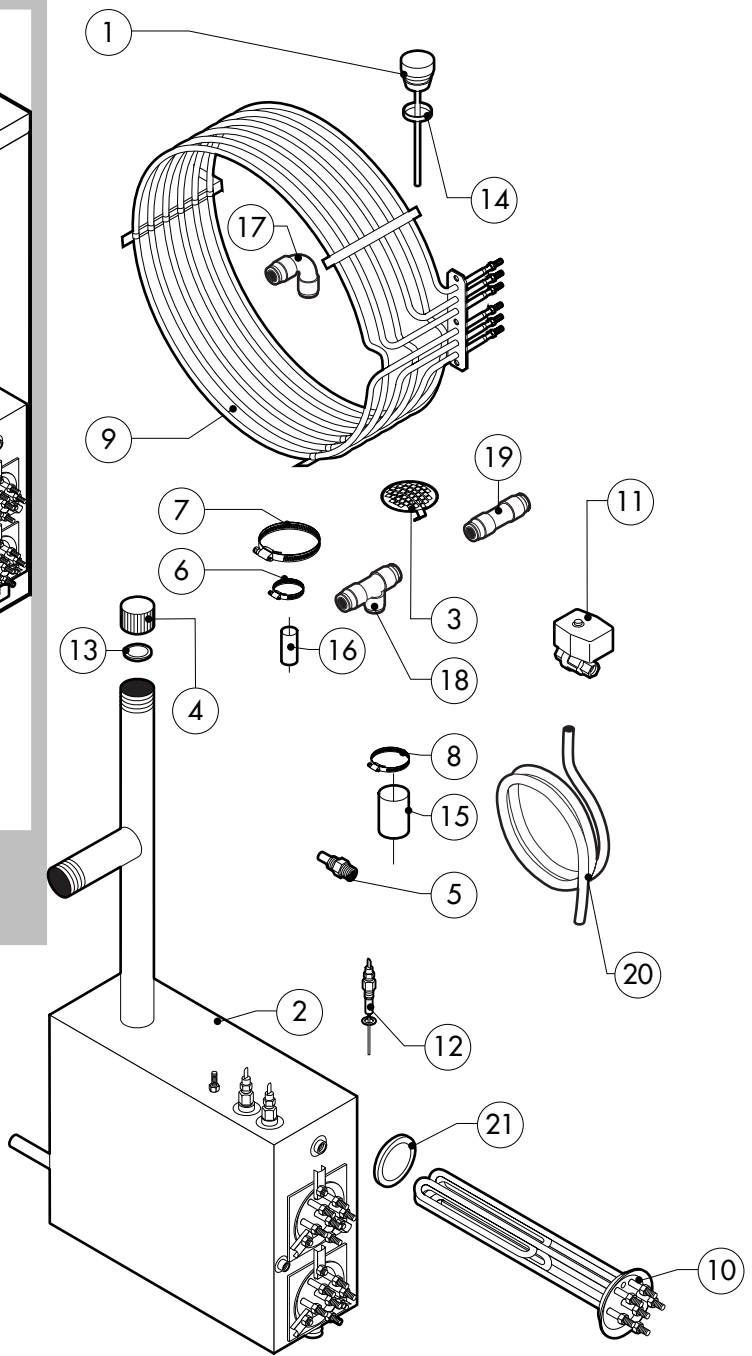
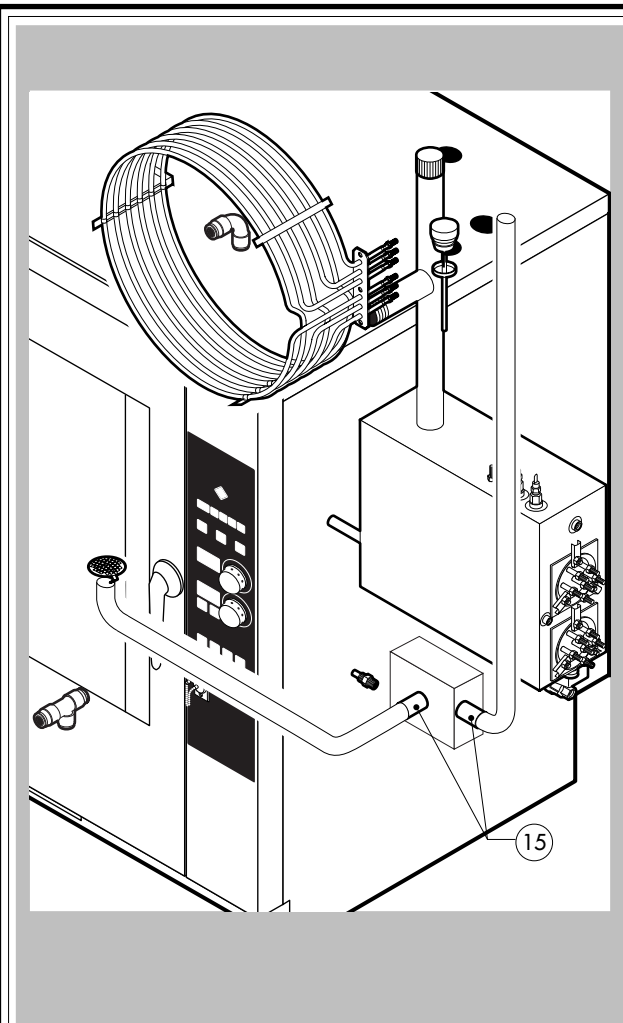
| POS. | CODE | PIECES | DESCRIPTION |
|------|-----------|--------|--------------------------------|
| 15 | R10401710 | 1 | WASHER FOR UPPER DOOR HINGE |
| 16 | R70050100 | 6 | GLASS SILICON SPACERS |
| 17 | R70044150 | 1 | GLASS GASKET |
| 18 | R66110320 | 1 | DOOR LAMPS CABLE SET |
| 19 | R11401440 | 2 | LAMP COVER |
| 20 | R71500150 | 2 | GLASS LAMP |
| 21 | R70044200 | 2 | LAMP GASKET |
| 22 | R11401450 | 2 | GLASS HOLDER LAMP FLANGE |
| 23 | R65270020 | 2 | LIGHT 20W 12V G4 |
| 24 | R65270450 | 2 | LIGHT SOCKET |
| 25 | R65260750 | 1 | LAMPS CONTACT BLOCK |
| 26 | R66110300 | 1 | LAMPS CONTACT CABLE SET |
| 27 | R11100300 | 1 | DOOR HANDLE ASSEMBLY |
| 28 | R69010260 | 1 | DOOR LATCH 1 STEP |
| 29 | R69010270 | 1 | DOOR LATCH 2 STEP |
| 30 | R69010250 | 1 | DOOR CATCH KIT |
| 31 | R69010630 | 1 | INNER DOOR CATCH PLASTIC COVER |
| 32 | R61620132 | 1 | PRONG FLANGE |



| POS. | CODE | PIECES | DESCRIPTION |
|------|------------|--------|--|
| 1 | R58003840 | 1 | MOTOR GASKET BRASS FLANGE |
| 2 | R58003850 | 1 | MOTOR GASKET BRASS COUNTER FLANGE |
| 3 | R58004000 | 1 | FAN SCREW M12x1.5 SX |
| 4 | R58004010 | 1 | FAN WASHER Ø 30/12.5 |
| 5 | R61020562 | 1 | FAN SCREW TE A2 M6x55 |
| 6 | *R65040520 | 1 | MOTOR 055/015 KW KIT |
| 7 | R65060050 | 1 | VENTILATION MOTOR Ø 120 |
| 8 | R65060060 | 1 | VENTILATION MOTOR Ø 150 - UNTIL Nn3503CRXXXXX1 |
| | R65060050 | 1 | VENTILATION MOTOR Ø 120 - FROM Nn3603CRXXXXX2 |
| 9 | R65070350 | 1 | CHAMBER SAFETY THERMOSTAT |
| 10 | R65070081 | 1 | STEAM GENERATOR SAFETY THERMOSTAT |
| 11 | R65095000 | 1 | DAMPER SYSTEM |
| 12 | R65110210 | 1 | SOLENOID VALVE 220V 50HZ |
| 13 | R65110230 | 1 | SOLENOID VALVE 220V 50HZ WITH FLOW REDUCER |
| 14 | R65110510 | 1 | 15 LT/H WATER FLOW REDUCER |
| 15 | *R65140380 | 6 | CONTACTOR 3RT1016-1AP02 240V |
| 16 | *R65140400 | 3 | CONTACTOR 3RT1025-1AL20 240V |
| 17 | *R65160570 | 1 | THERMIC PROTECTION 3RU1116-0JB0 0,7-1A |
| 18 | *R65160620 | 1 | THERMIC PROTECTION 3RU1116-1BB0 1,4-2,0A |

| POS. | CODE | PIECES | DESCRIPTION |
|------|------------|--------|---------------------------------|
| 19 | R65180420 | 1 | TRANSFORMER 20VA |
| 20 | R65180430 | 1 | TRANSFORMER 40VA |
| 21 | R65200086 | 1 | FUSE 0.125A (T) |
| 22 | R65200200 | 1 | FUSE 2A |
| 23 | R65200090 | 1 | FUSE 0.2A (T) |
| 24 | R65210020 | 3 | FUSE CARRIER |
| 25 | R65220080 | 1 | TERMINAL BOARD |
| 26 | R65265100 | 1 | DOOR SWITCH |
| 27 | *R65280200 | 3 | INTERFERENCE SUPPRESSOR |
| 28 | *R65280450 | 1 | FERRITE |
| 29 | R65325000 | 3 | PROBE PT100 |
| 30 | R70020050 | 1 | MOTOR GASKET |
| 31 | *R75400440 | 1 | FAN Ø 350x114/12 50HZ P.D. KIT |
| 32 | *R65140420 | 1 | AUX.CONTACT 1L+1R 3RH1911-1FA11 |
| 33 | *R65140430 | 1 | AUX.CONTACT 1L+1R 3RH1921-1FA11 |

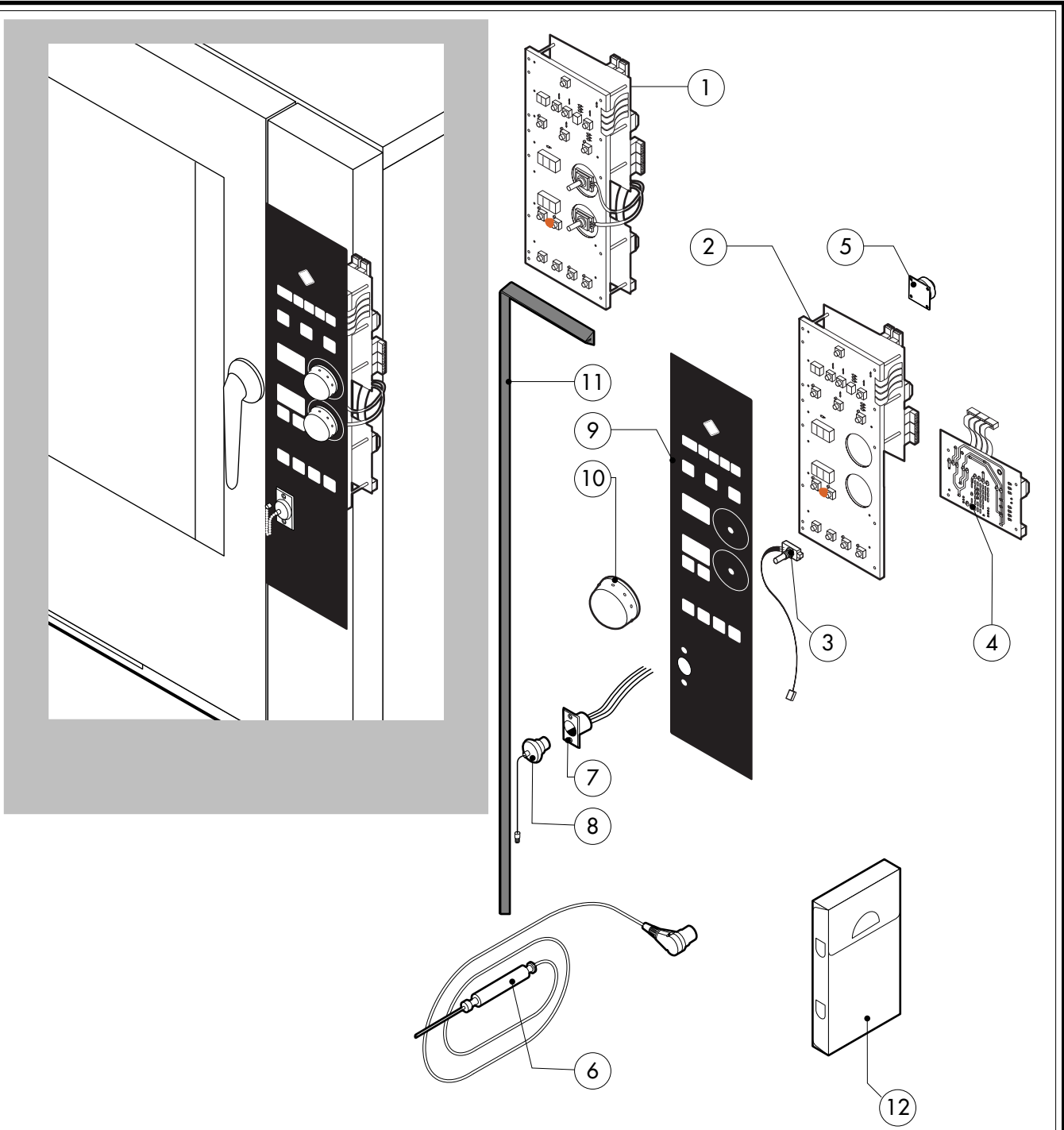
*COMPONENT SUBMITTED TO CHANGEMENTS CAUSED BY TENSION DIFFERENT FROM THE STANDARD (3N AC400V 50HZ)



| POS. | CODE | PIECES | DESCRIPTION |
|------|------------|--------|---------------------------------------|
| 1 | R10100140 | 1 | DAMPER SYSTEM CAP |
| 2 | R11100430 | 1 | STEAM GENERATOR ASSEMBLY |
| 3 | R10201700 | 1 | DRAIN FILTER |
| 4 | R58005680 | 1 | STEAM GENERATOR DESCALING CAP 1"1/4 F |
| 5 | R58006130 | 2 | STEAM QUENCHING NOZZLE Ø 1 |
| 6 | R61630011 | 2 | METAL CLAMPS 12-22/9 |
| 7 | R61630091 | 2 | METAL CLAMPS 140-160/9 |
| 8 | R61630031 | 4 | METAL CLAMPS 40-60/9 |
| 9 | *R65011310 | 1 | CHAMBER HEATING ELEMENT 15000W |
| 10 | *R65020350 | 2 | STEAM GENERATOR HEATING ELEMENT 7500W |
| 11 | R65110560 | 1 | STEAM GENERATOR DRAIN MOTORIZED VALVE |
| 12 | R65320010 | 2 | STEAM GENERATOR LEVEL PROBE |
| 13 | R70050040 | 1 | STEAM GENERATOR CAP GASKET |
| 14 | R70060020 | 1 | DAMPER SYSTEM CAP GASKET |
| 15 | R70060040 | 2 | SILICON COUPLING Ø 50 |
| 16 | R70060080 | 1 | SILICON COUPLING Ø 13 |
| 17 | R62090478 | 7 | ELBOW MIDLING PIPE FITTING D.10 |
| 18 | R62090468 | 1 | "T" MIDLING PIPE FITTING D.10 |
| 19 | R62090458 | 2 | STRAIGHT MIDLING PIPE FITTING D.10 |

| POS. | CODE | PIECES | DESCRIPTION |
|------|-----------|--------|---|
| 20 | R70070050 | 1 | PE D.10 MM X7 WATER FLEXIBLE PIPE (3 MT LONG) |
| 21 | R70045010 | 2 | STEAM GENERATOR HEATING ELEMENT GASKET |
| | | | |
| | | | |
| | | | |
| | | | |
| | | | |
| | | | |
| | | | |
| | | | |
| | | | |
| | | | |
| | | | |
| | | | |
| | | | |
| | | | |
| | | | |
| | | | |
| | | | |
| | | | |
| | | | |
| | | | |
| | | | |
| | | | |
| | | | |
| | | | |
| | | | |
| | | | |
| | | | |
| | | | |

*COMPONENT SUBMITTED TO CHANGEMENTS CAUSED BY TENSION DIFFERENT FROM THE STANDARD (3N AC400V 50HZ)



| POS. | CODE | PIECES | DESCRIPTION |
|------|-----------|--------|---|
| 1 | R65301390 | 1 | CONTROL PANEL P.C. BOARD |
| 2 | R65301370 | 1 | FRONT+RELAY PC BOARD "H-P" MOD |
| 3 | R65301450 | 2 | FRONT PC BOARD ENCODER |
| 4 | R65301480 | 1 | BOILER CONTROL PC BOARD "H-P" MOD |
| 5 | R65301440 | 1 | PC BOARD BUZZER |
| 6 | R65321120 | 1 | CORE TEMPERATURE PROBE |
| 7 | R65320920 | 1 | CORE TEMPERATURE PROBE FEMALE CONNECTOR |
| 8 | R65321020 | 1 | COVER FOR FEMALE CONNECTOR |
| 9 | R67013080 | 1 | PLATE |
| 10 | R69030260 | 2 | KNOB |
| 11 | R70044260 | 1 | CONTROL PANEL GASKET |
| 12 | R86020420 | 1 | CORE TEMPERATURE PROBE BOX |
| | | | |
| | | | |
| | | | |
| | | | |
| | | | |
| | | | |

| POS. | CODE | PIECES | DESCRIPTION |
|------|------|--------|-------------|
| | | | |
| | | | |
| | | | |
| | | | |
| | | | |
| | | | |
| | | | |
| | | | |
| | | | |
| | | | |
| | | | |
| | | | |
| | | | |
| | | | |
| | | | |