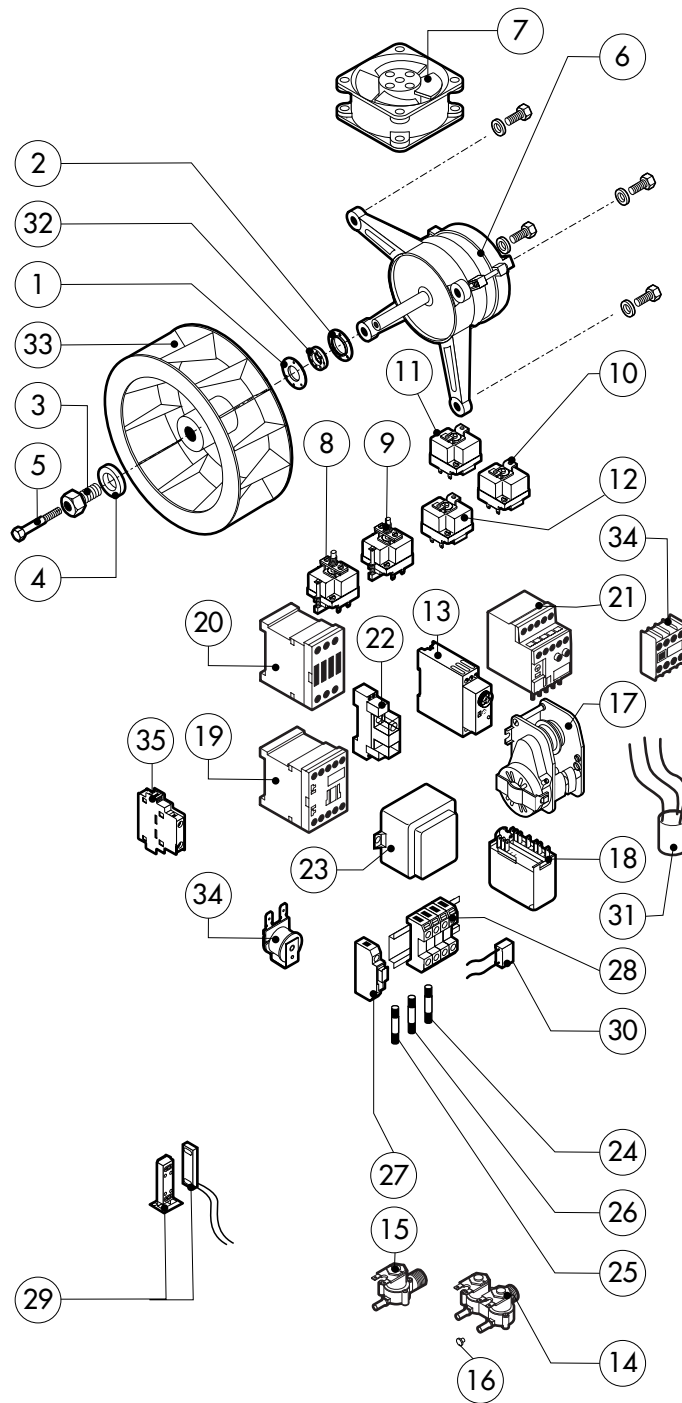
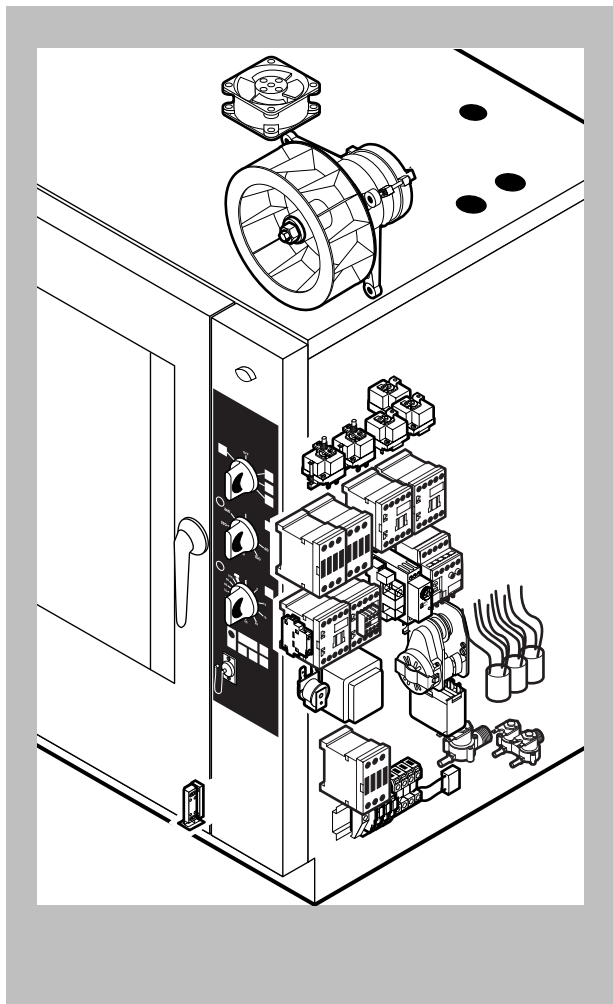


POS.	CODE	PIECES	DESCRIPTION
1	R11100170	1	DOOR
2	R11201910	1	INNER DOOR PANEL
3	R11100140	1	INNER DOOR GLASS
4	R11200520	1	DOOR DRIP TRAY DRAINAGE
5	R58001760	2	INNER GLASS SOLID HINGE
6	R58001770	2	INNER GLASS HINGE PIN
7	R58001780	2	INNER GLASS CATCH KIT
8	R11401340	1	TOP "C" PROFILE
9	R11401360	1	LOWER "C" PROFILE
10	R11200550	1	LOWER DOOR HINGE - UNTIL N°3503CRXXXXX1
	R11200551	1	LOWER DOOR HINGE - FROM N°3603CRXXXXX2
11	R11200560	1	UPPER DOOR HINGE
12	R58002150	1	HINGE PIN
13	R58004050	1	NUT FOR UPPER DOOR HINGE
14	R10401710	1	WASHER FOR UPPER DOOR HINGE
15	R70050100	6	GLASS SILICON SPACERS
16	R70044150	1	GLASS GASKET
17	R66110320	1	DOOR LAMPS CABLE SET
18	R11401440	2	LAMP COVER

POS.	CODE	PIECES	DESCRIPTION
19	R71500150	2	GLASS LAMP
20	R70044200	2	LAMP GASKET
21	R11401450	2	GLASS HOLDER LAMP FLANGE
22	R65270020	2	LIGHT 20W 12V G4
23	R65270450	2	LIGHT SOCKET
24	R65260750	1	LAMPS CONTACT BLOCK
25	R66110300	1	LAMPS CONTACT CABLE SET
26	R11100300	1	DOOR HANDLE ASSEMBLY
27	R69010260	1	DOOR LATCH 1 STEP
28	R69010270	1	DOOR LATCH 2 STEP
29	R69010250	1	DOOR CATCH KIT
30	R69010630	1	INNER DOOR CATCH PLASTIC COVER
31	R61620132	1	PRONG FLANGE



POS.	CODE	PIECES	DESCRIPTION
1	R58003840	1	MOTOR GASKET BRASS FLANGE
2	R58003850	1	MOTOR GASKET BRASS COUNTER FLANGE
3	R58004000	1	FAN SCREW M12x1.5 SX
4	R58004010	1	FAN WASHER Ø 30/12.5
5	R61020562	1	FAN SCREW TE A2 M6x55
6	*R65040530	1	MOTOR 055/015 KW KIT
7	R65060060	1	VENTILATION MOTOR Ø 150 - UNTIL N°3503CRXXXXX1
	R65060050	1	VENTILATION MOTOR Ø 120 - FROM N°3603CRXXXXX2
8	R65070350	1	CHAMBER SAFETY THERMOSTAT
9	R65070081	1	STEAM GENERATOR SAFETY THERMOSTAT
10	R65070100	1	THERMOSTAT 55°C
11	R65070165	1	THERMOSTAT 65°C
12	R65070240	1	THERMOSTAT 70°C
13	R65090450	1	S.GENERATOR DRAIN TIMER
14	R65110210	1	SOLENOID VALVE 220V 50HZ WITH FLOW REDUCER
15	R65110200	1	SOLENOID VALVE 220V 50HZ
16	R65110510	1	15 LT/H WATER FLOW REDUCER
17	R65090190	1	REVERSING SWITCH 8"
18	R65120010	1	LEVEL REGULATOR

POS.	CODE	PIECES	DESCRIPTION
19	*R65140380	4	CONTACTOR 3RT1016-1AP02 240V
20	*R65140400	3	CONTACTOR 3RT1025-1AL20 240V
21	*R65160620	1	THERMIC PROTECTION 3RU1116-1BB0 1,4-2,0A
22	R65170050	1	RELAY 4052 240V AC 10A
23	R65180430	1	TRANSFORMER 40VA
24	R65200200	1	FUSE 2A
25	R65200320	1	FUSE 0.25A (T)
26	R65200120	1	FUSE 0.1A (T)
27	R65210020	2	FUSE CARRIER
28	R65220080	1	TERMINAL BOARD
29	R65265100	1	DOOR SWITCH
30	*R65280130	1	INTERFERENCE SUPPRESSOR
31	*R65280200	3	INTERFERENCE SUPPRESSOR
32	R70020050	1	MOTOR GASKET
33	*R75400440	1	FAN Ø 350x114/12 50HZ P.D. KIT
34	R65330010	1	BUZZER
35	*R65140420	1	AUX.CONTACT 1L+1R 3RH1911-1FA11

\*COMPONENT SUBMITTED TO CHANGEMENTS CAUSED BY TENSION DIFFERENT FROM THE STANDARD (3N AC400V 50HZ)



