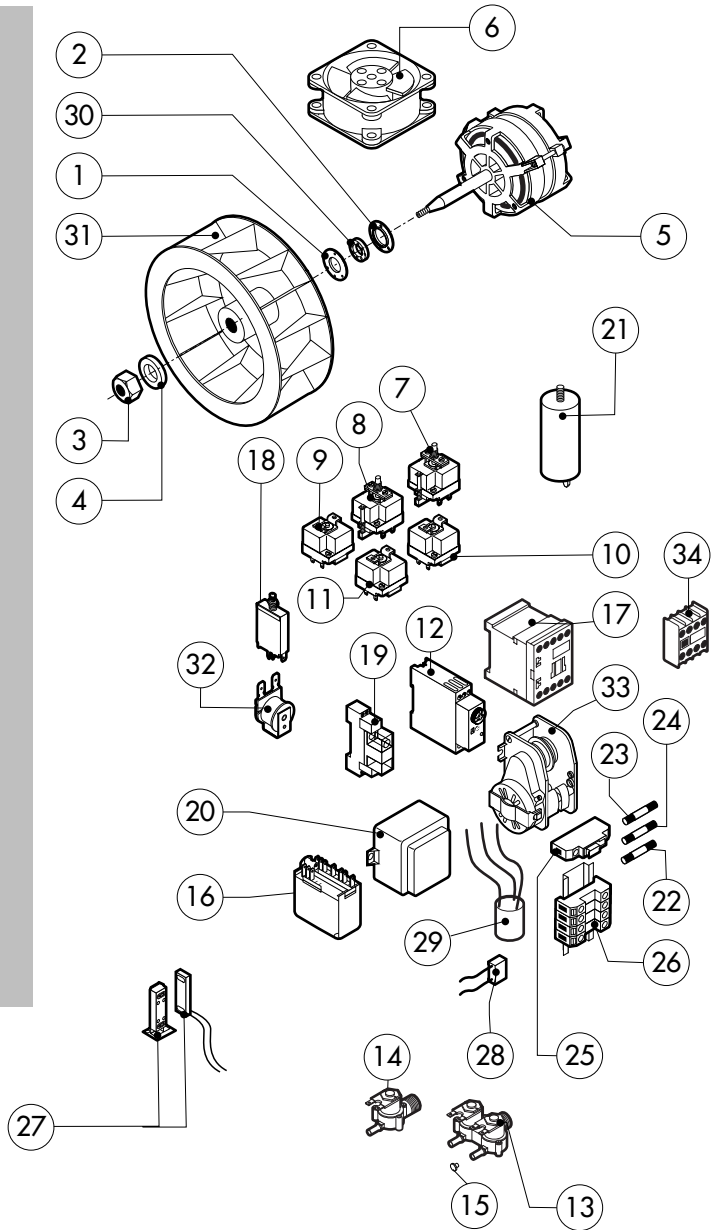
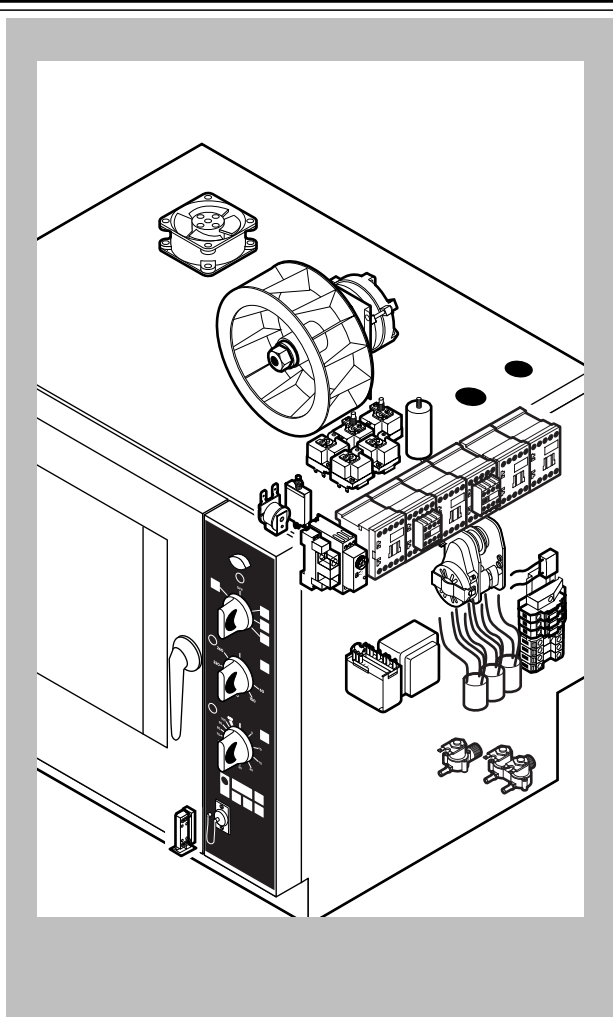


POS.	CODE	PIECES	DESCRIPTION
1	R11100160	1	DOOR
2	R11200510	1	INNER DOOR PANEL
3	R11100130	1	INNER DOOR GLASS
4	R11200520	1	DOOR DRIP TRAY DRAINAGE
5	R58001760	2	INNER GLASS SOLID HINGE
6	R58001770	2	INNER GLASS HINGE PIN
7	R58001780	2	INNER GLASS CATCH KIT
8	R11401340	1	TOP "C" PROFILE
9	R11401360	1	LOWER "C" PROFILE
10	R11200550	1	LOWER DOOR HINGE - UNTIL N°3503CRXXXXX1
	R11200560	1	LOWER DOOR HINGE - FROM N°3603CRXXXXX2
11	R58002150	1	UPPER DOOR HINGE
12	R58004050	1	HINGE PIN
13	R10401710	1	NUT FOR UPPER DOOR HINGE
14	R70050100	6	WASHER FOR UPPER DOOR HINGE
15	R70044150	1	GLASS SILICON SPACERS
16	R66110310	1	GLASS GASKET
17	R11401440	1	DOOR LAMPS CABLE SET
18	R71500150	1	LAMP COVER

POS.	CODE	PIECES	DESCRIPTION
19	R71500150	1	GLASS LAMP
20	R70044200	1	LAMP GASKET
21	R11401450	1	GLASS HOLDER LAMP FLANGE
22	R65270020	1	LIGHT 20W 12V G4
23	R65270450	1	LIGHT SOCKET
24	R65260750	1	LAMPS CONTACT BLOCK
25	R66110300	1	LAMPS CONTACT CABLE SET
26	R11100300	1	DOOR HANDLE ASSEMBLY
27	R69010260	1	DOOR LATCH 1 STEP
28	R69010270	1	DOOR LATCH 2 STEP
29	R69010250	1	DOOR CATCH KIT
30	R69010630	1	INNER DOOR CATCH PLASTIC COVER
31	R61620132	1	PRONG FLANGE



POS.	CODE	PIECES	DESCRIPTION
1	R58003860	1	MOTOR GASKET BRASS FLANGE
2	R58003870	1	MOTOR GASKET BRASS COUNTER FLANGE
3	R58004020	1	FAN SECURITY NUT M10 SX
4	R61400052	1	FAN WASHER Ø 21/10.5
5	*R65040421	1	MOTOR KW 025 2P 220-240V KIT
6	R65060050	1	COMPONENTS VENTILATION MOTOR Ø 120
7	R65070350	1	CHAMBER SAFETY THERMOSTAT
8	R65070081	1	STEAM GENERATOR SAFETY THERMOSTAT
9	R65070100	1	THERMOSTAT 55°C
10	R65070165	1	THERMOSTAT 65°C
11	R65070240	1	THERMOSTAT 70°C
12	R65090450	1	S.GENERATOR DRAIN TIMER
13	R65110210	1	SOLENOID VALVE 220V 50HZ WITH FLOW REDUCER
14	R65110200	1	SOLENOID VALVE 220V 50HZ
15	R65110510	1	15 LT/H WATER FLOW REDUCER
16	R65120010	1	LEVEL REGULATOR
17	*R65140380	6	CONTACTOR 3RT1016-1AP02 240V
18	*R65160320	1	THERMIC PROTECTION T12-211S-2A
19	R65170050	1	RELAY 4052 240V AC 10A

POS.	CODE	PIECES	DESCRIPTION
20	R65180420	1	TRANSFORMER 20VA
21	*R65190180	1	CAPACITOR 10 µF
22	R65200200	1	FUSE 2A
23	R65200080	1	FUSE 0.25A (T)
24	R65200120	1	FUSE 0.25A (T)
25	R65210020	3	FUSE CARRIER
26	R65220090	1	TERMINAL BOARD
27	R65265100	1	DOOR SWITCH
28	*R65280130	1	INTERFERENCE SUPPRESSOR
29	*R65280200	3	INTERFERENCE SUPPRESSOR
30	R70020040	1	MOTOR GASKET
31	*R75400400	1	FAN Ø 220x78/12 50HZ P.D. KIT
32	R65330010	1	BUZZER
33	R65090190	1	REVERSING SWITCH 8'
34	*R65140420	2	AUX.CONTACT 1L+1R 3RH1911-1FA11

\*COMPONENT SUBMITTED TO CHANGEMENTS CAUSED BY TENSION DIFFERENT FROM THE STANDARD (3N AC400V 50HZ)



