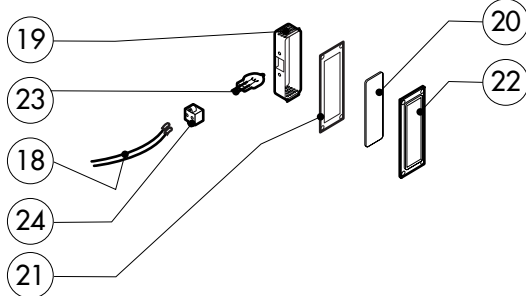
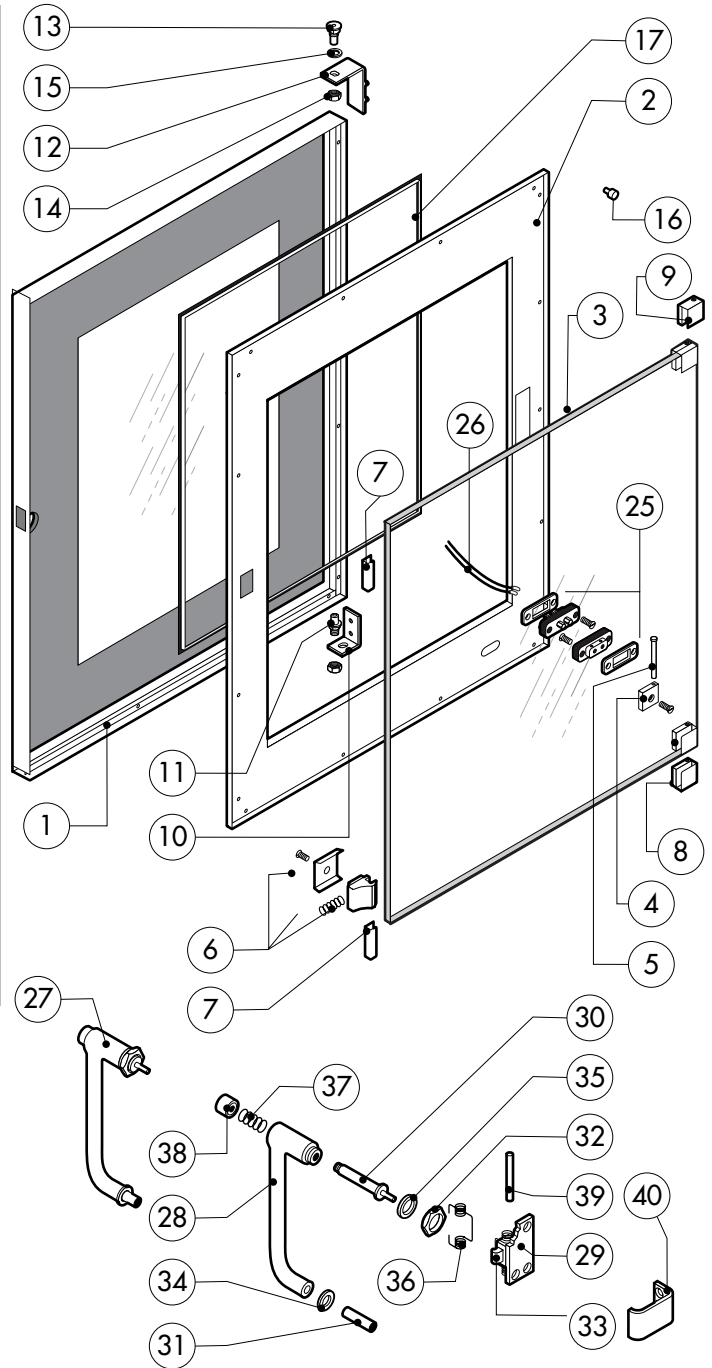
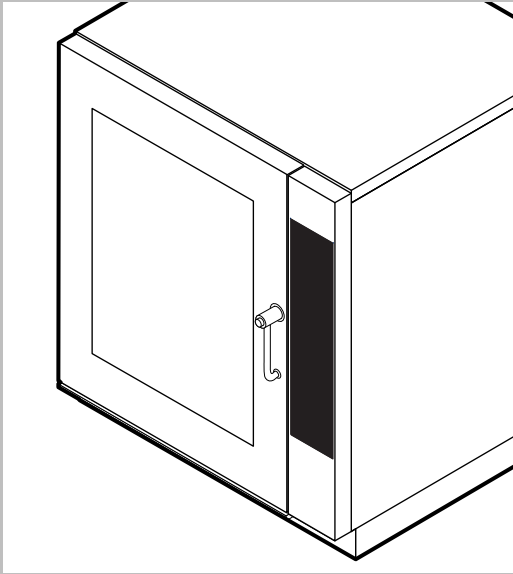


| POS. | CODE | PIECES | DESCRIPTION |
|------|-----------|--------|---------------------------|
| 1 | R18100060 | 1 | DOOR ASSEMBLY |
| 2 | R18210320 | 1 | CONTROL PANEL |
| 3 | R11201970 | 1 | SPRITZER EXTENSION |
| 4 | R11202270 | 1 | SPRITZER UNION |
| 5 | R18210300 | 1 | COOKING CABINET ASSEMBLY |
| 6 | R18408290 | 1 | FAN GUARD PANEL ASSEMBLY |
| 7 | R18408380 | 2 | SIDE PANEL |
| 8 | R18408370 | 1 | REAR PANEL |
| 9 | R18418100 | 1 | COVER PANEL |
| 10 | R58006400 | 4 | FAN GUARD FASTENING SCREW |
| 11 | R70044110 | 1 | FRONT GASKET |
| 12 | R18204150 | 1 | REMOVABLE RACK DX |
| 13 | R18204160 | 1 | REMOVABLE RACK SX |
| | | | |
| | | | |
| | | | |
| | | | |
| | | | |
| | | | |
| | | | |
| | | | |

| POS. | CODE | PIECES | DESCRIPTION |
|------|------|--------|-------------|
| | | | |
| | | | |
| | | | |
| | | | |
| | | | |
| | | | |
| | | | |
| | | | |
| | | | |
| | | | |
| | | | |
| | | | |
| | | | |
| | | | |
| | | | |
| | | | |
| | | | |
| | | | |
| | | | |
| | | | |
| | | | |
| | | | |



| POS. | CODE | PIECES | DESCRIPTION |
|------|-----------|--------|-----------------------------|
| 1 | R18203970 | 1 | DOOR |
| 2 | R18203940 | 1 | INNER DOOR PANEL |
| 3 | R71201510 | 1 | INNER DOOR GLASS |
| 4 | R58001760 | 2 | INNER GLASS SOLID HINGE |
| 5 | R58001770 | 2 | INNER GLASS HINGE PIN |
| 6 | R58001780 | 2 | INNER GLASS CATCH KIT |
| 7 | R11401340 | 2 | TOP "C" PROFILE |
| 8 | R18203910 | 1 | LOWER SUPPORT GLASS |
| 9 | R18203920 | 1 | TOP SUPPORT GLASS |
| 10 | R18404500 | 1 | LOWER DOOR HINGE |
| 11 | R58002520 | 1 | LOWER HINGE PIN |
| 12 | R11200560 | 1 | UPPER DOOR HINGE |
| 13 | R58002150 | 1 | HINGE PIN |
| 14 | R58004050 | 2 | NUT FOR UPPER DOOR HINGE |
| 15 | R10401710 | 1 | WASHER FOR UPPER DOOR HINGE |
| 16 | R70050100 | 6 | GLASS SILICON SPACERS |
| 17 | R70044150 | 1 | GLASS GASKET |
| 18 | R66110320 | 1 | DOOR LAMPS CABLE SET |
| 19 | R11401440 | 1 | LAMP COVER |
| 20 | R71500150 | 1 | GLASS LAMP |
| 21 | R70044200 | 1 | LAMP GASKET |

| POS. | CODE | PIECES | DESCRIPTION |
|------|-----------|--------|-------------------------------------|
| 22 | R11401450 | 1 | GLASS HOLDER LAMP FLANGE |
| 23 | R65270020 | 1 | LIGHT 20W 12V G4 |
| 24 | R65270450 | 1 | LIGHT SOCKET |
| 25 | R65260750 | 1 | LAMPS CONTACT BLOCK |
| 26 | R66110300 | 1 | LAMPS CONTACT CABLE SET |
| 27 | R69015000 | 1 | DOOR HANDLE ASSEMBLY |
| 28 | R09200230 | 1 | DOOR HANDLE |
| 29 | R10100110 | 1 | PRONG FLANGE |
| 30 | R58003240 | 1 | DOOR HANDLE BUTTON ROD |
| 31 | R58004270 | 1 | DOOR HANDLE SPACER |
| 32 | R58004830 | 1 | RING NUT M18x1 |
| 33 | R58005050 | 1 | DOOR HANDLE PRONG |
| 34 | R58005340 | 1 | DOOR HANDLE LOWER INSULATION WASHER |
| 35 | R58005350 | 1 | DOOR HANDLE UPPER INSULATION WASHER |
| 36 | R61620012 | 1 | DOOR HANDLE CATCH SPRING |
| 37 | R61620041 | 1 | DOOR HANDLE BUTTON SPRING |
| 38 | R69031190 | 1 | DOOR HANDLE PUSH BUTTON |
| 39 | R58002160 | 1 | DOOR HANDLE PRONG PIN |
| 40 | R18202020 | 1 | DOOR HANDLE PRONG COUPLER |

