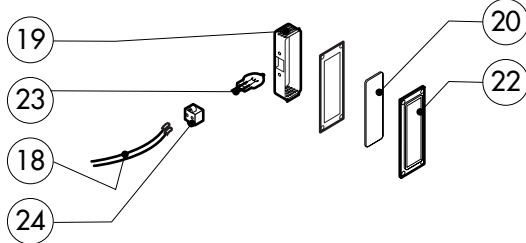
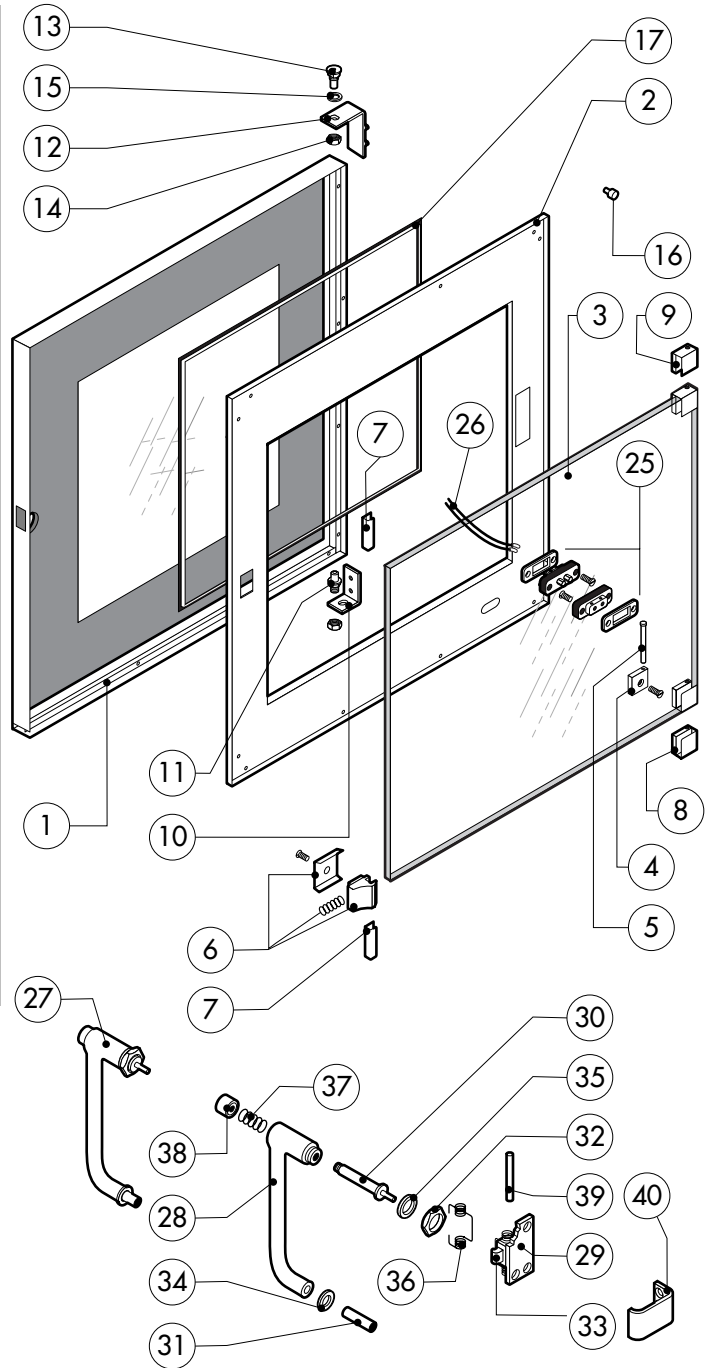
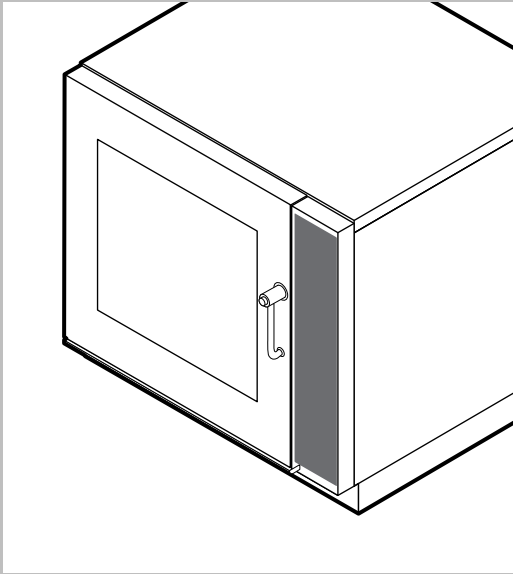


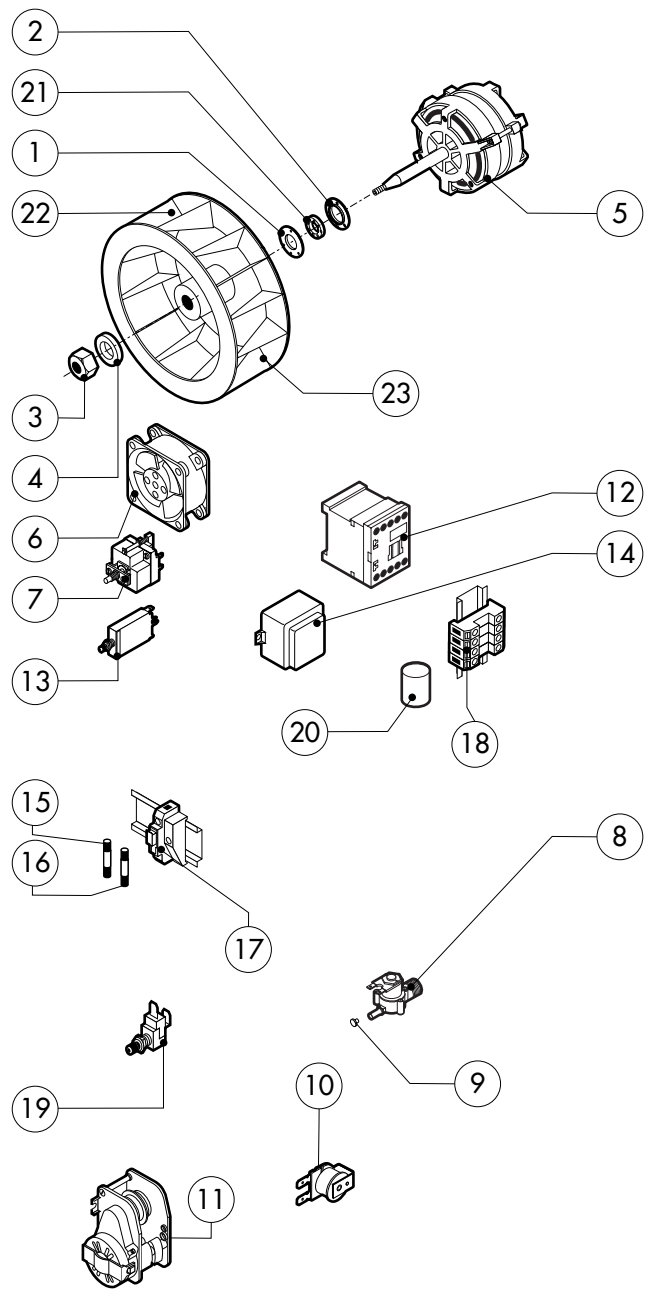
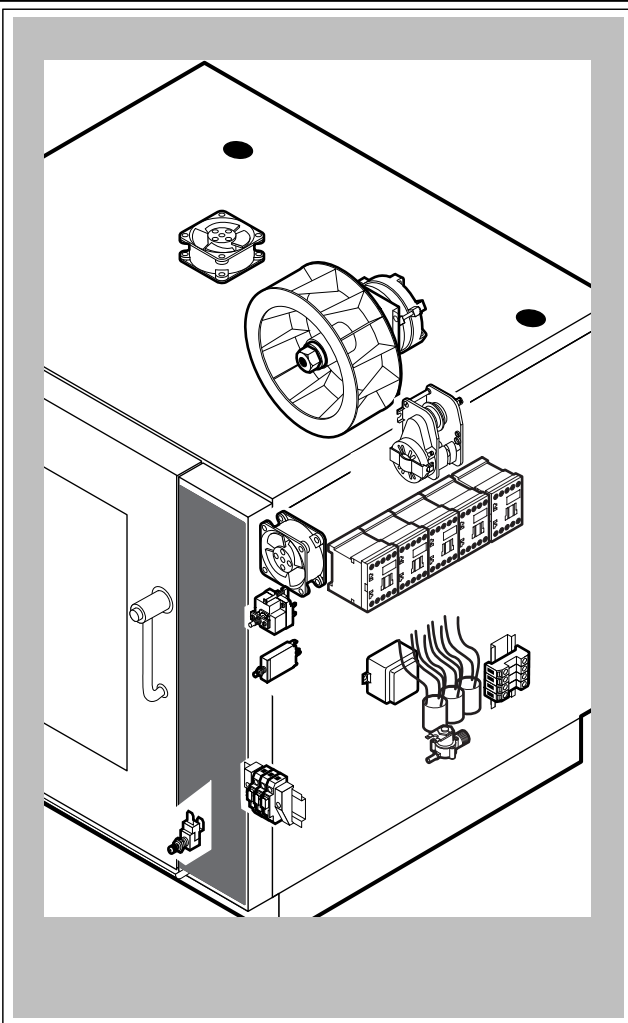
POS.	CODE	PIECES	DESCRIPTION
1	R18100030	1	DOOR ASSEMBLY
2	R18201920	1	CONTROL PANEL
3	R11200650	1	SPRITZER UNION
4	R11202270	1	SPRITZER EXTENSION
5	R18210840	1	COOKING CABINET ASSEMBLY
6	R18404240	1	FAN GUARD PANEL ASSEMBLY
7	R18404330	2	SIDE PANEL
8	R18404320	1	REAR PANEL
9	R18418910	1	COVER PANEL
10	R58006400	4	FAN GUARD FASTENING SCREW
11	R70044230	1	FRONT GASKET
12	R18201830	1	REMOVABLE RACK DX
13	R18201840	1	REMOVABLE RACK SX

POS.	CODE	PIECES	DESCRIPTION



POS.	CODE	PIECES	DESCRIPTION
1	R18202060	1	DOOR
2	R18202010	1	INNER DOOR PANEL
3	R71201500	1	INNER DOOR GLASS
4	R58001760	2	INNER GLASS SOLID HINGE
5	R58001770	2	INNER GLASS HINGE PIN
6	R58001780	2	INNER GLASS CATCH KIT
7	R11401340	2	TOP "C" PROFILE
8	R18203910	1	LOWER SUPPORT GLASS
9	R18203920	1	TOP SUPPORT GLASS
10	R18404500	1	LOWER DOOR HINGE
11	R58002520	1	LOWER HINGE PIN
12	R11200560	1	UPPER DOOR HINGE
13	R58002150	1	HINGE PIN
14	R58004050	2	NUT FOR UPPER DOOR HINGE
15	R10401710	1	WASHER FOR UPPER DOOR HINGE
16	R70050100	6	GLASS SILICON SPACERS
17	R70044650	1	GLASS GASKET
18	R66110320	1	DOOR LAMPS CABLE SET
19	R11401440	1	LAMP COVER
20	R71500150	1	GLASS LAMP
21	R70044200	1	LAMP GASKET

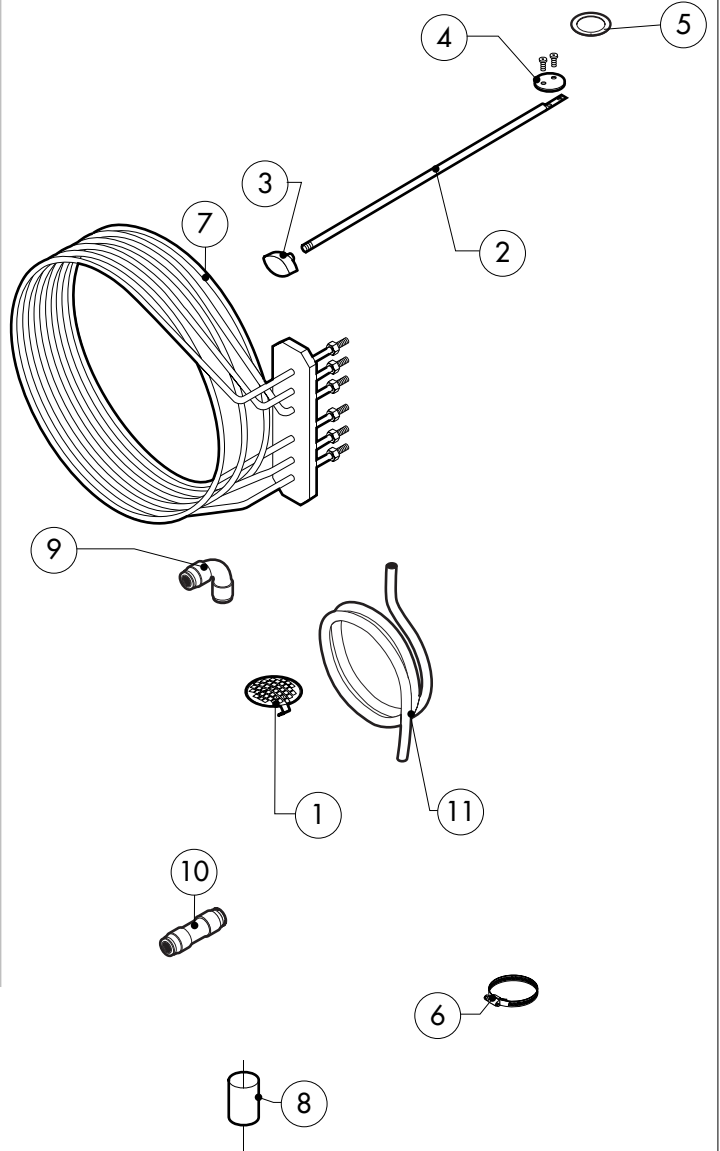
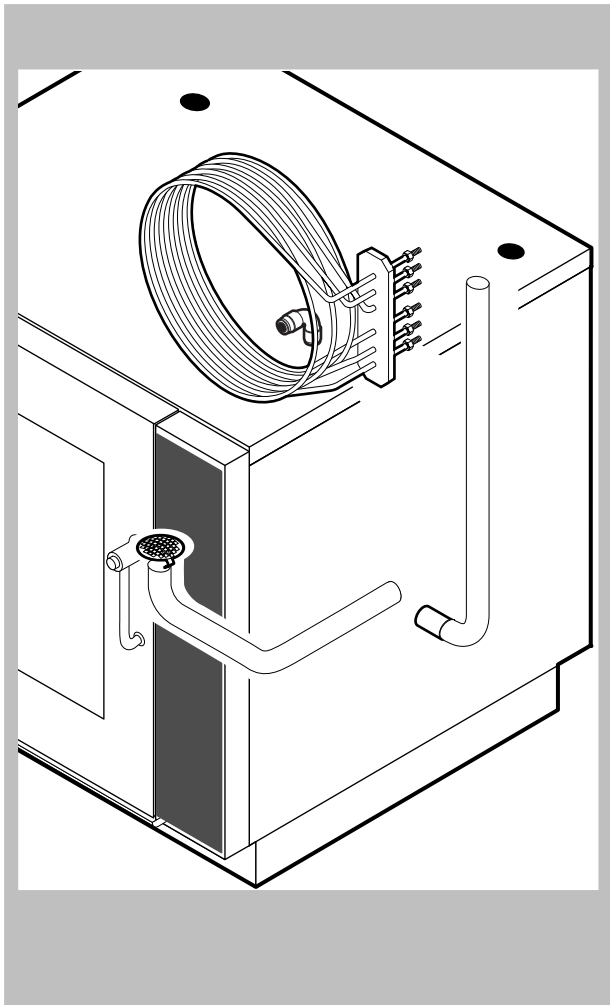
POS.	CODE	PIECES	DESCRIPTION
22	R11401450	1	GLASS HOLDER LAMP FLANGE
23	R65270020	1	LIGHT 20W 12V G4
24	R65270450	1	LIGHT SOCKET
25	R65260750	1	LAMPS CONTACT BLOCK
26	R66110300	1	LAMPS CONTACT CABLE SET
27	R69015000	1	DOOR HANDLE ASSEMBLY
28	R09200230	1	DOOR HANDLE
29	R10100110	1	PRONG FLANGE
30	R58003240	1	DOOR HANDLE BUTTON ROD
31	R58004270	1	DOOR HANDLE SPACER
32	R58004830	1	RING NUT M18x1
33	R58005050	1	DOOR HANDLE PRONG
34	R58005340	1	DOOR HANDLE LOWER INSULATION WASHER
35	R58005350	1	DOOR HANDLE UPPER INSULATION WASHER
36	R61620012	1	DOOR HANDLE CATCH SPRING
37	R61620041	1	DOOR HANDLE BUTTON SPRING
38	R69031190	1	DOOR HANDLE PUSH BUTTON
39	R58002160	1	DOOR HANDLE PRONG PIN
40	R18202020	1	DOOR HANDLE PRONG COUPLER



POS.	CODE	PIECES	DESCRIPTION
1	R58003860	1	MOTOR GASKET BRASS FLANGE
2	R58003870	1	MOTOR GASKET BRASS COUNTER FLANGE
3	R58004020	1	FAN SECURITY NUT M10 SX
4	R61400052	1	FAN WASHER Ø 21/10.5
5	*R65040421	1	MOTOR KW 025 2P 220-240V KIT
6	R65060050	1	COMPONENTS VENTILATION MOTOR Ø 120
7	R65070350	1	CHAMBER SAFETY THERMOSTAT
8	R65110200	1	SOLENOID VALVE 220V 50HZ
9	R65110500	1	10 LT/H WATER FLOW REDUCER
10	R65330010	1	BUZZER
11	R65090190	1	REVERSING SWITCH 8'
12	*R65140700	4	CONTACTOR DIL M9-01 4KW-20A
13	*R65160320	1	THERMIC PROTECTION T12-211S-2A
14	R65180420	1	TRANSFORMER 20VA
15	R65200200	1	FUSE 2A
16	R65200320	1	FUSE 0.200A (T)
17	R65210020	2	FUSE CARRIER
18	R65220090	1	TERMINAL BOARD
19	R65260540	1	DOOR SWITCH

POS.	CODE	PIECES	DESCRIPTION
20	*R65280200	3	INTERFERENCE SUPPRESSOR
21	R70020040	1	MOTOR GASKET
22	*R75400400	1	FAN Ø 220x78/12 50HZ P.D. KIT
23	R75400420	1	FAN Ø 220x78/8 60HZ P.D. KIT

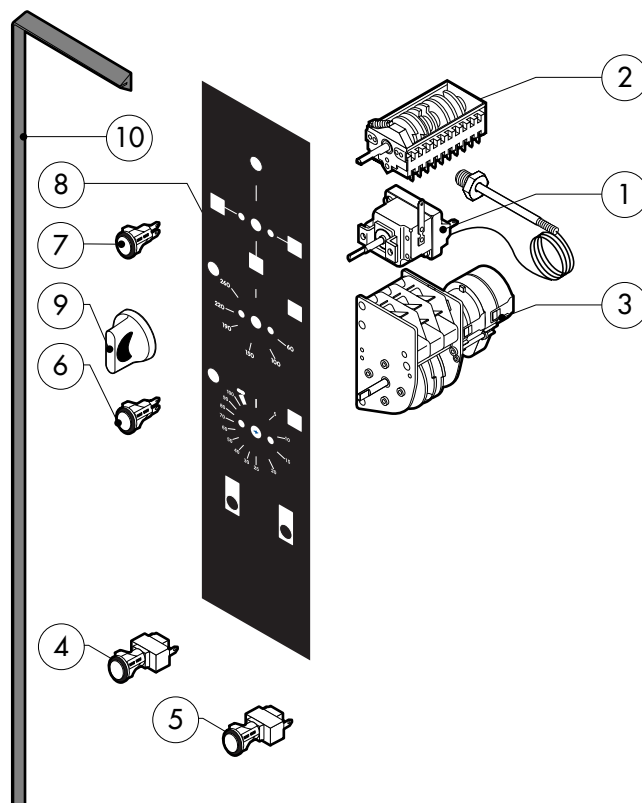
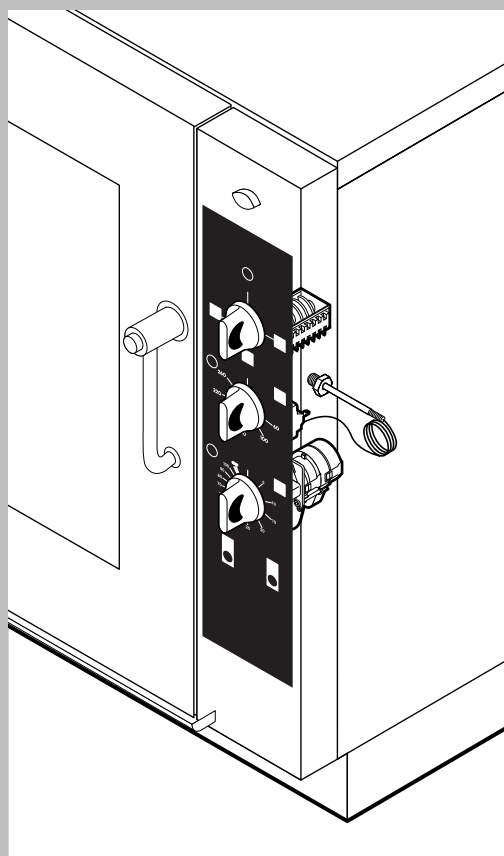
\*COMPONENT SUBMITTED TO CHANGEMENTS CAUSED BY TENSION DIFFERENT FROM THE STANDARD (3N AC400V 50HZ)



POS.	CODE	PIECES	DESCRIPTION
1	R10201700	1	DRAIN FILTER
2	R58006710	1	CHAMBER VENT ROD
3	R69010410	1	STEAM OUTLET KNOB
4	R11429380	2	CHAMBER VENT PLATE
5	R70050130	1	DAMPER SYSTEM CAP GASKET
6	R61630021	2	METAL CLAMPS 30-45/9
7	*R65011540	1	CHAMBER HEATING ELEMENT 7500W
8	R70060010	1	SILICON COUPLING Ø 30
9	R62090478	1	ELBOW MIDLING PIPE FITTING D.10
10	R62090458	1	STRAIGHT MIDLING PIPE FITTING D.10
11	R70070070	1	PE D.10 MM X7 WATER FLEXIBLE PIPE (1 MT LONG)

POS.	CODE	PIECES	DESCRIPTION

\*COMPONENT SUBMITTED TO CHANGEMENTS CAUSED BY TENSION DIFFERENT FROM THE STANDARD (3N AC400V 50HZ)



POS.	CODE	PIECES	DESCRIPTION
1	R65070360	1	CABINET THERMOSTAT 0 /300 C
2	R65080010	1	MAIN SELECTOR SWITCH
3	R65090020	1	TIMER
4	R65260600	1	SWITCH
5	R65260610	1	HUMIDIFIER PUSH BUTTON
6	R65270150	2	ORANGE INDICATING LIGHT
7	R65270160	1	GREEN INDICATING LIGHT
8	-	1	PLATE
9	R69030170	3	KNOB
10	R70044250	1	CONTROL PANEL GASKET

POS.	CODE	PIECES	DESCRIPTION