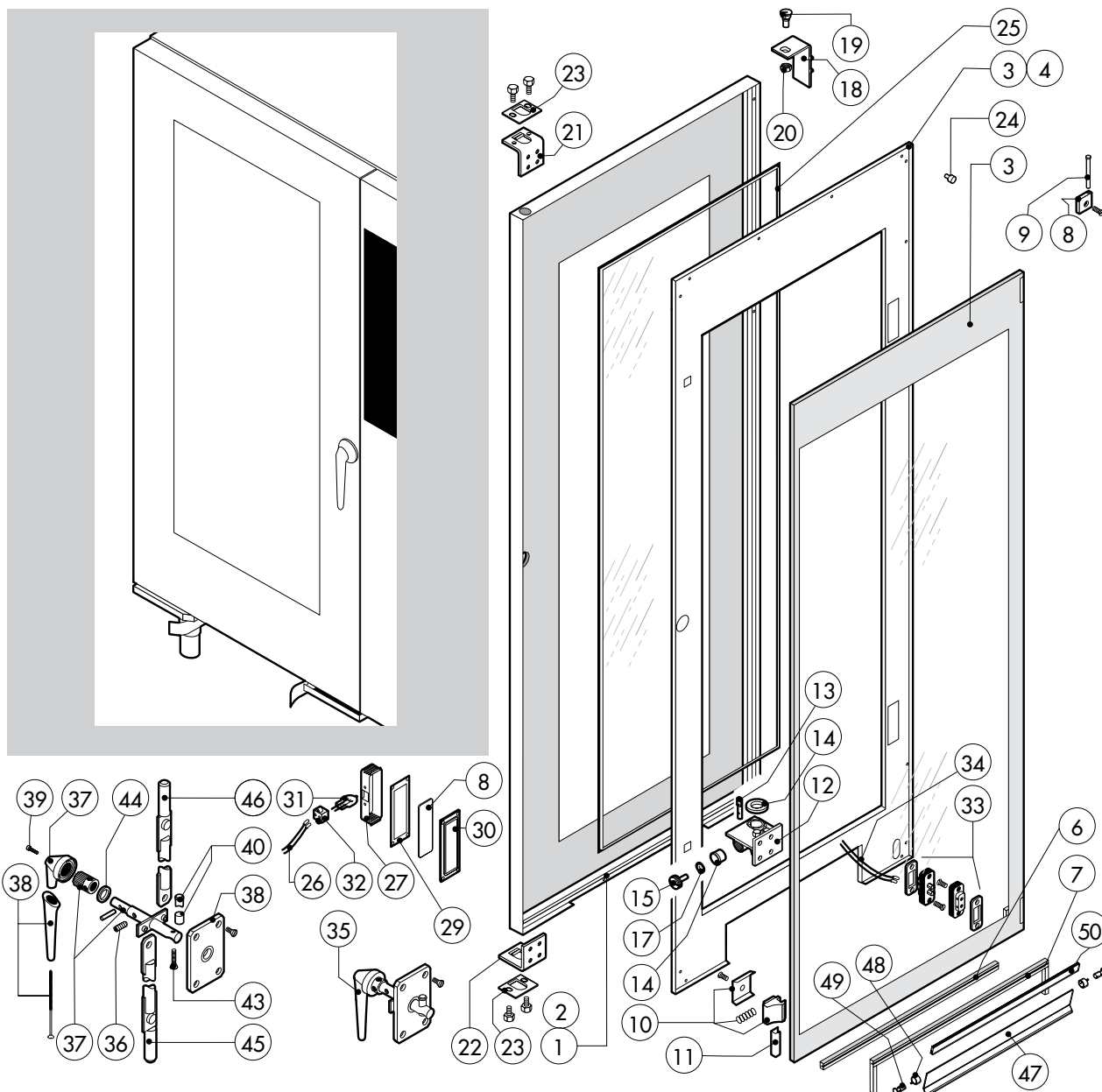


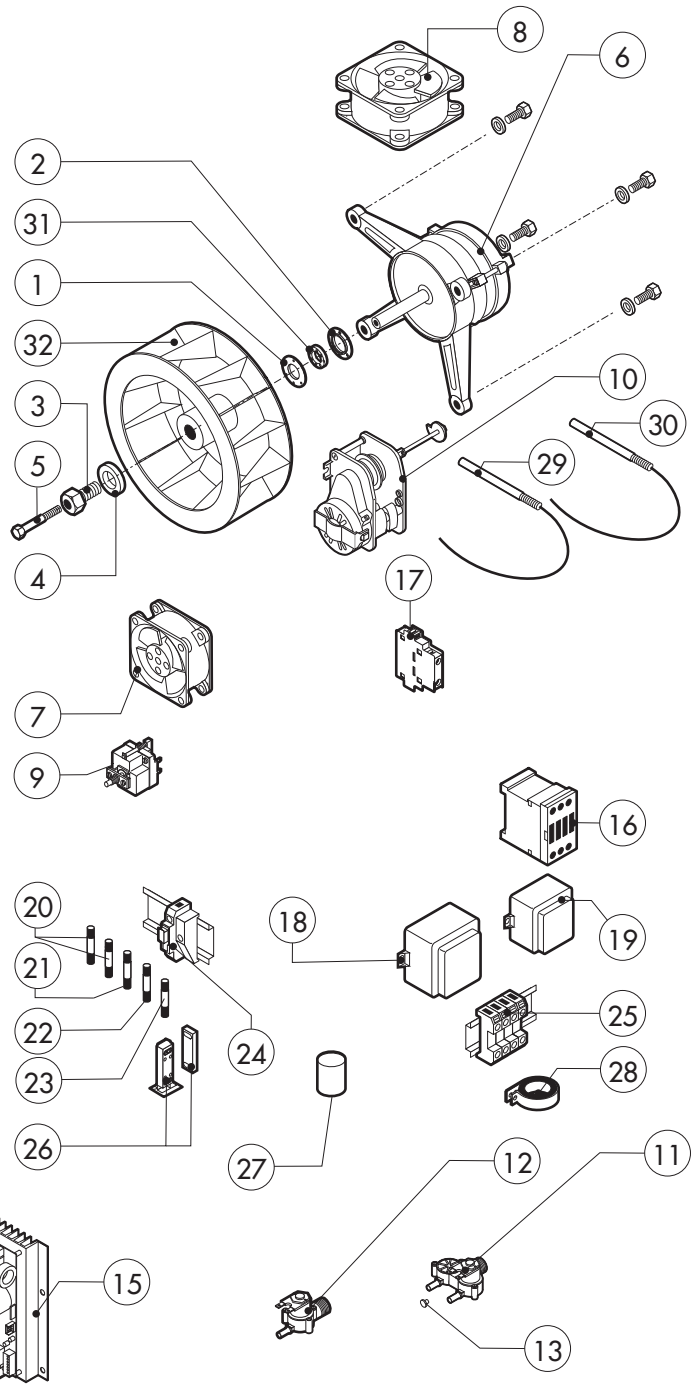
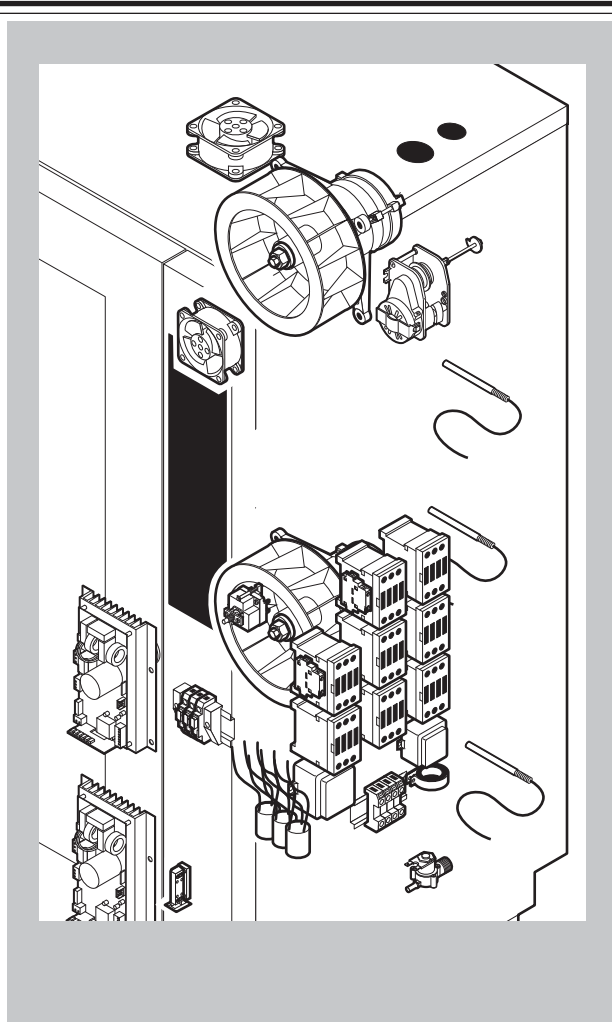
POS.	CODE	PIECES	DESCRIPTION
1	R11100120	1	DOOR ASSEMBLY UNTIL N ∞ 2507
2	R11100260	1	DOOR ASSEMBLY FROM N ∞ 2607
3	R11205251	1	CONTROL PANEL
4	R11201970	1	SPRITZER EXTENSION
5	R11202270	1	SPRITZER UNION
6	R11205201	1	COOKING CABINET ASSEMBLY
7	R11205231	1	WASHING SYSTEM COOKING CABINET ASSEMBLY
8	R11205280	1	FAN GUARD PANEL ASSEMBLY
9	R11205321	1	RIGHT SIDE PANEL
10	R11205311	1	LEFT SIDE PANEL
11	R11411350	1	REAR PANEL
12	R11221120	1	COVER PANEL
13	R58003100	2	FAN GUARD FASTENING SCREW
14	R70044130	1	FRONT GASKET
15	R75300090	2	FAN GUARD GRID \varnothing 350
16	R69070020	4	FOOT 1"1/2x130
17	R69090090	2	WHEEL
18	R69090100	2	WHEEL WITH BRAKE
19	R10457840	1	HANDLE FOR TROLLEY

POS.	CODE	PIECES	DESCRIPTION



POS.	CODE	PIECES	DESCRIPTION
1	R11100181	1	DOOR UNTIL N° 2507
2	R11205820	1	DOOR FROM N° 2607
3	R11205361	1	INNER DOOR PANEL UNTIL N° 2507
4	R11205830	1	INNER DOOR PANEL FROM N° 2607
5	R11100150	1	INNER DOOR GLASS
6	R70044300	1	GASKET FOR TROLLEY(0,7MT) UNTIL N° 2507
7	R70044320	1	GASKET FOR TROLLEY FROM N° 2607
8	R58001760	2	INNER GLASS SOLID HINGE
9	R58001770	2	INNER GLASS HINGE PIN
10	R58001780	2	INNER GLASS CATCH KIT
11	R11411860	2	"C" PROFILE
12	R11205390	1	LOWER DOOR HINGE WITH RETAINER
13	R58002540	1	DOOR PIVOT SUNK KEY
14	R58002550	1	DOOR RETAINER GUIDE SHOE
15	R58002560	1	SCREW FOR LOWER DOOR HINGE
16	R58002570	1	WASHER Ø 30/15x3
17	R61620091	16	BELLEVILLE WASHER Ø 14/6.4
18	R11200560	1	UPPER DOOR HINGE
19	R58002150	1	HINGE PIN
20	R58004050	1	NUT FOR UPPER DOOR HINGE
21	R11411520	1	UPPER SQUARE FOR DOOR ROD
22	R11205400	1	LOWER SQUARE FOR DOOR ROD
23	R10207680	2	DOOR ROD ADJUSTABLE PLATE
24	R70050100	9	GLASS SILICON SPACERS
25	R70044160	1	GLASS GASKET (3,72MT)
26	R66110320	1	DOOR LAMPS CABLE SET

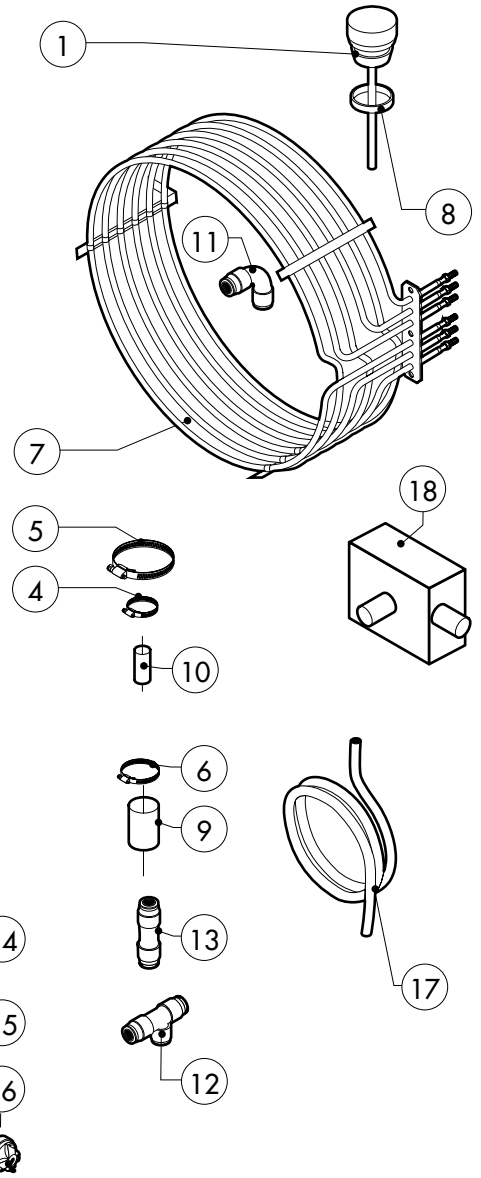
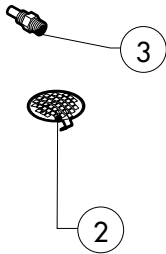
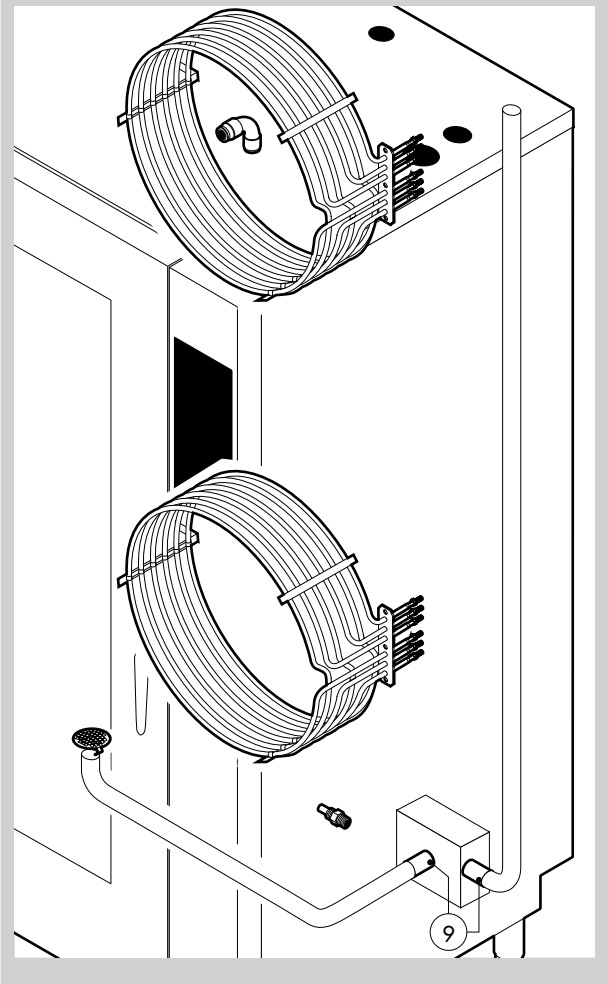
POS.	CODE	PIECES	DESCRIPTION
27	R11401440	2	LAMP COVER
28	R71500150	2	GLASS LAMP
29	R70044200	2	GLASS LAMP
30	R11401450	2	GLASS HOLDER LAMP FLANGE
31	R65270020	2	LIGHT 20W 12V G4
32	R65270450	2	LIGHT SOCKET
33	R65260750	1	LAMPS CONTACT BLOCK
34	R66110300	1	LAMPS CONTACT CABLE SET
35	R11100310	1	DOOR HANDLE ASSEMBLY
36	R61090052	1	GRUB SCREW M6x16
37	R69010600	1	DOOR HANDLE
38	R69010610	1	HANDLE
39	R61030601	1	CYLINDRICAL HEAD SCREW
40	R11205340	1	DOOR HANDLE PIN
41	R03200970	1	DOOR LOCK REAR FLANGE
42	R58004781	1	DOOR HANDLE HOOK
43	R61040272	1	DOOR HANDLE HOOK SCREW
44	R61420021	1	ELASTIC WASHER
45	R11205381	1	LOWER DOOR ROD
46	R11205370	1	UPPER DOOR ROD
47	R11436300	1	CLOSING PLATE
48	R65491250	1	CLOSING PLATE SPRING ASSEMBLY
49	R58006860	2	CLOSING PLATE RORAZIONE PIVOT
50	R80100910	0,65mt	CLOSING PLATE GASKET



POS.	CODE	PIECES	DESCRIPTION
1	R58003840	2	MOTOR GASKET BRASS FLANGE
2	R58003850	2	MOTOR GASKET BRASS COUNTER FLANGE
3	R58004000	2	FAN SCREW M12x1.5 SX
4	R58004010	2	FAN WASHER Ø 30/12.5
5	R61020562	2	FAN SCREW TE A2 M6x55
6	*R65040530	2	MOTOR 055 KW 200/440V KIT
7	R65060050	1	COMPONENTS VENTILATION MOTOR Ø 120
8	R65060060	1	COMPONENTS VENTILATION MOTOR Ø 150
9	R65070350	1	CHAMBER SAFETY THERMOSTAT
10	R65095000	1	DAMPER SYSTEM
11	R65110240	1	SOLENOID VALVE 220V 50HZ
12	R65110200	1	SOLENOID VALVE 220V 50HZ
13	R65110510	1	15 LT/H WATER FLOW REDUCER
14	R65140830	1	TOP INVERTER 0,8KW
	R65140890	1	INVERTER 0,8KW ECS P0010205-0 FROM 11/04/2011
15	R65140850	1	LOWER INVERTER 0,8KW
16	*R65140400	5	CONTACTOR 3RT1025-1AL20 240V
17	*R65140430	2	AUX.CONTACT 1L+1R 3RH1921-1FA11
18	R65180430	1	TRANSFORMER 40VA

POS.	CODE	PIECES	DESCRIPTION
19	R65180420	1	TRANSFORMER 20VA
20	R65200380	2	FUSE 8A
21	R65200200	1	FUSE 2A
22	R65200350	1	FUSE 0.200A (T)
23	R65200086	1	FUSE 0.125A (T)
24	R65210020	5	FUSE CARRIER
25	R65220260	1	TERMINAL BOARD
26	R65265100	1	DOOR SWITCH
27	*R65280200	3	INTERFERENCE SUPPRESSOR
28	*R65280490	1	FERRITE FT35
29	R65325000	1	PROBE PT100 1,5 MT
30	R65325010	1	PROBE PT100 3 MT
31	R70020050	2	MOTOR GASKET
32	*R75400440	2	FAN Ø 350x114/12 50HZ P.D. KIT

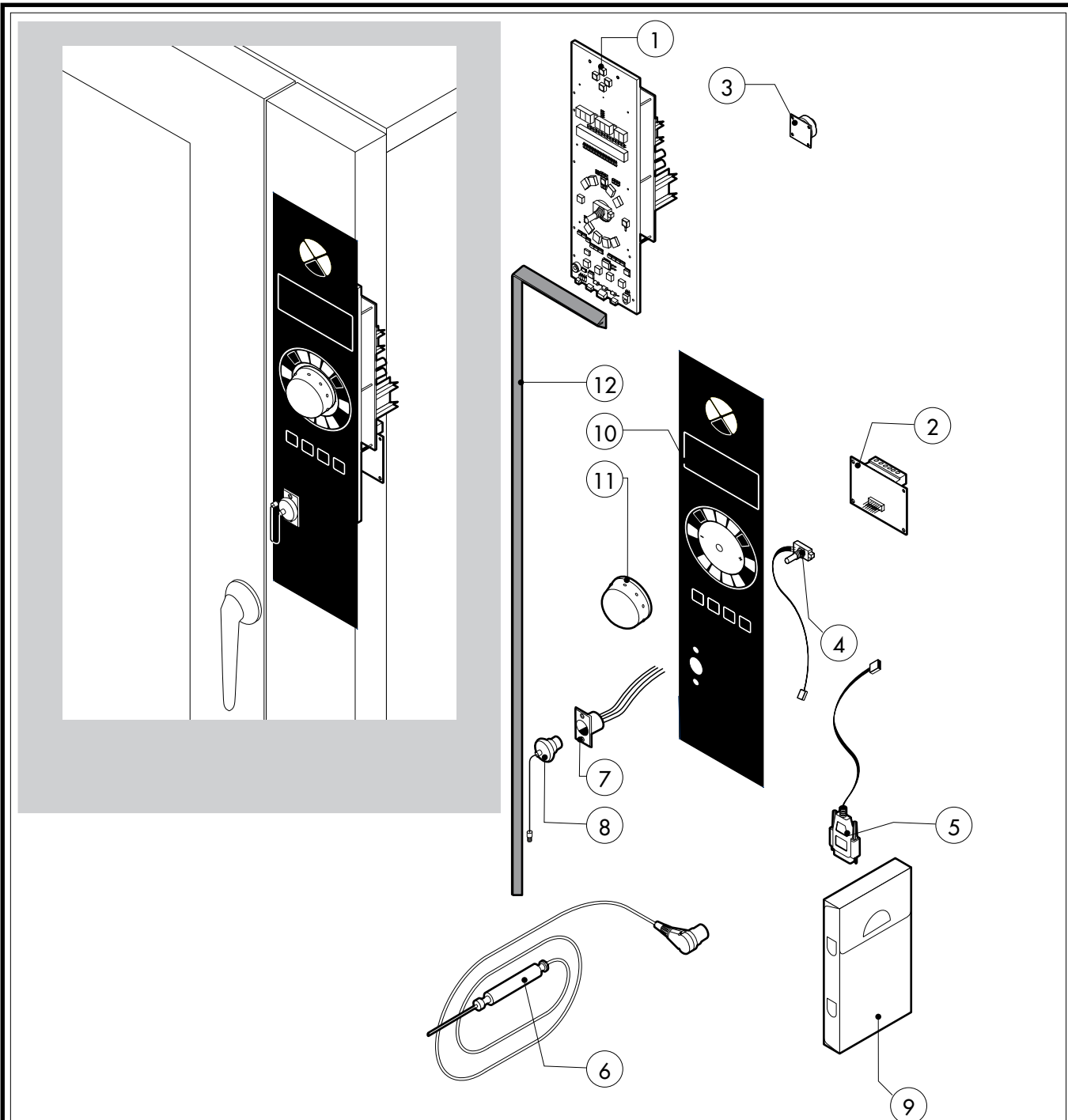
*COMPONENT SUBMITTED TO CHANGEMENTS CAUSED BY TENSION DIFFERENT FROM THE STANDARD (3N AC 400V 50HZ)



POS.	CODE	PIECES	DESCRIPTION
1	R11100270	1	DAMPER SYSTEM CAP
2	R10201710	1	DRAIN FILTER
3	R58006130	2	STEAM QUENCHING NOZZLE Ø 1
4	R61630011	2	METAL CLAMPS 12-22/9
5	R61630091	2	METAL CLAMPS 140-160/9
6	R61630031	4	METAL CLAMPS 40-60/9
7	*R65011310	2	CHAMBER HEATING ELEMENT 15000W
8	R70060100	1	DAMPER SYSTEM CAP GASKET
9	R70060040	2	SILICON COUPLING Ø 50
10	R70060080	1	SILICON COUPLING Ø 13
11	R62090478	6	ELBOW MIDLING PIPE FITTING D.10
12	R62090468	1	"T" MIDLING PIPE FITTING D.10
13	R62090458	1	STRAIGHT MIDLING PIPE FITTING D.10
14	R62090508	1	10X1/4 STRAIGHT THREADED TERMINAL PIPE FITTING
15	R62030118	1	1/8"-1/4" FEMALE REDUCTION COUPLING
16	R63070050	1	WATER SAFETY PRESSURE SWITCH 1/8" 0,5-0,35 BAR
17	R70070040	1	PE D.10 MM X7 WATER FLEXIBLE PIPE (4 MT LONG)
18	R69180100	1	QUENCHING-DRAIN COLLECTOR

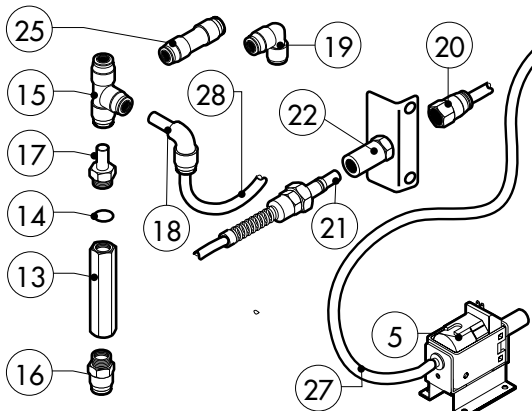
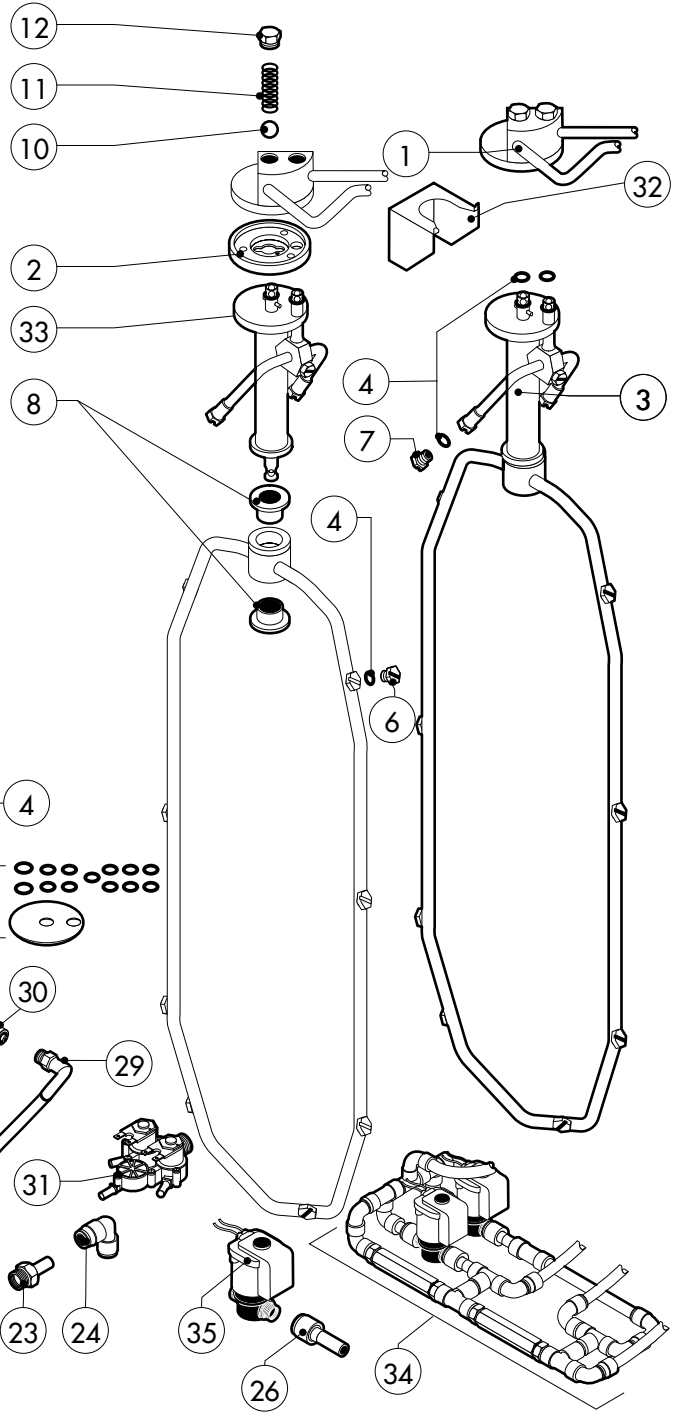
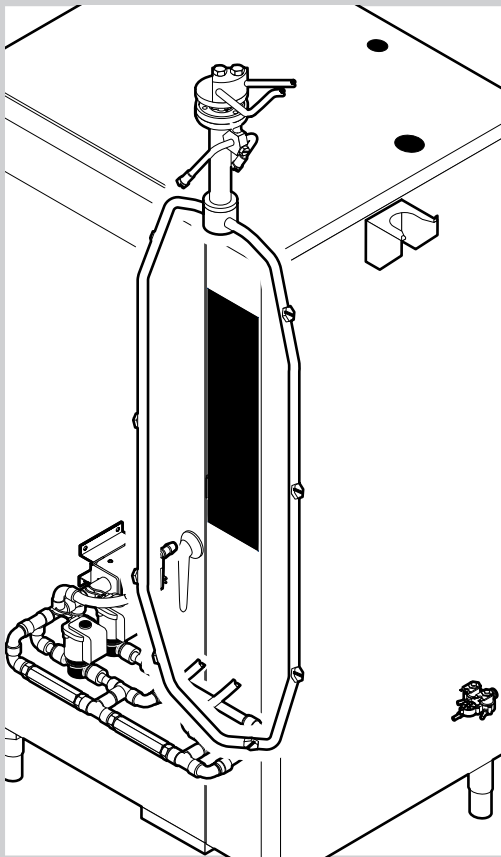
POS.	CODE	PIECES	DESCRIPTION

*COMPONENT SUBMITTED TO CHANGEMENTS CAUSED BY TENSION DIFFERENT FROM THE STANDARD (3N AC400V 50HZ)



POS.	CODE	PIECES	DESCRIPTION
1	R65301461	1	CONTROL PANEL P.C. BOARD "T" MOD
2	R65301490	1	INVERTER CONTROL PC BOARD
3	R65301440	1	PC BOARD BUZZER
4	R65301450	1	FRONT PC BOARD ENCODER
5	R65301580	1	PC BOARD SERIES CONNECTION
6	R65321100	1	CORE TEMPERATURE PROBE
7	R65321110	1	CORE TEMPERATURE PROBE FEMALE CONNECTOR
8	R65321020	1	COVER FOR FEMALE CONNECTOR
9	R86020420	1	CORE TEMPERATURE PROBE BOX
10	R67012900	1	LAINOX PLATE "T"
11	R69030270	1	KNOB
12	R70044280	1	CONTROL PANEL GASKET

POS.	CODE	PIECES	DESCRIPTION



POS.	CODE	PIECES	DESCRIPTION
1	R11200881	1	WASHING SYSTEM EXTERNAL ASSEMBLY
2	R58004960	1	WASHING SYSTEM INNER FLANGE
3	R11100530	1	WASHING DEVICE ASSEMBLY
4	R70045110	1	GASKETS KIT
5	R65110600	1	DETRGENT PUMP
6	R62210032	8	1,3 L/MIN RINSING JET
7	R62210042	3	0,56 L/MIN DETERGENT JET
8	R58004980	2	WASHING DEVICE ROTATION BUSH
9	R65110650	1	BOTTOM FILTER
10	R62220012	2	SPHERA D.14
11	R61620041	2	SPRING
12	R58005000	2	1/2" MALE COVER
13	R65110640	2	ANTI-BACK FLOW
14	R70010050	4	OR GASKETS
15	R62090468	5	"T" MIDDLING PIPE FITTING D.10
16	R62090508	1	10X1/4 STRAIGHT THREADED TERMINAL PIPE FITTING
17	R62090518	3	10X1/4 END SIDE PIPE FITTING (WITH TANG)
18	R62090528	10	ELBOW PIPE FITTING (WITH TANG) 10 X 10
19	R62090478	4	ELBOW MIDDLING PIPE FITTING D.10

POS.	CODE	PIECES	DESCRIPTION
20	R62090538	1	1/4" FEMALE STRAIGHT PIPE FITTING FOR D.8X6 PIPE
21	R62090482	1	RAPID MALE PIPE FITTING
22	R62090492	1	RAPID FEMALE PIPE FITTING
23	R62090608	2	8X1/8 END SIDE PIPE FITTING (WITH TANG)
24	R62090628	1	10-8 ELBOW REDUCTION
25	R62090458	2	STRAIGHT MIDDLING PIPE FITTING D.10
26	R62090548	4	10-6 REDUCTION PIPE FITTING
27	R70070100	1	PE D.8 MM X 6 DETERGENT FLEXIBLE PIPE
28	R70070040	1	PE D.10 MM X7 WATER FLEXIBLE PIPE (4 MT LONG)
29	R62090648	1	ELBOW PIPE FITTING
30	R62090658	1	1/8" FEMALE STRAIGHT PIPE FITTING FOR D.8X6 PIPE
31	R65110240	1	SOLENOID VALVE 220V 50HZ WITH FLOW REDUCER
32	R11402000	1	WASHING DEVICE EXTERNAL HOLDER
33	R11100580	1	TUBE DEVICE SUPPORT WASHING
34	R62300028	1	ANTI-BACK FLOW DEVICE ASSEMBLY
35	R65110260	2	SOLENOID VALVE D.6 220V 50HZ