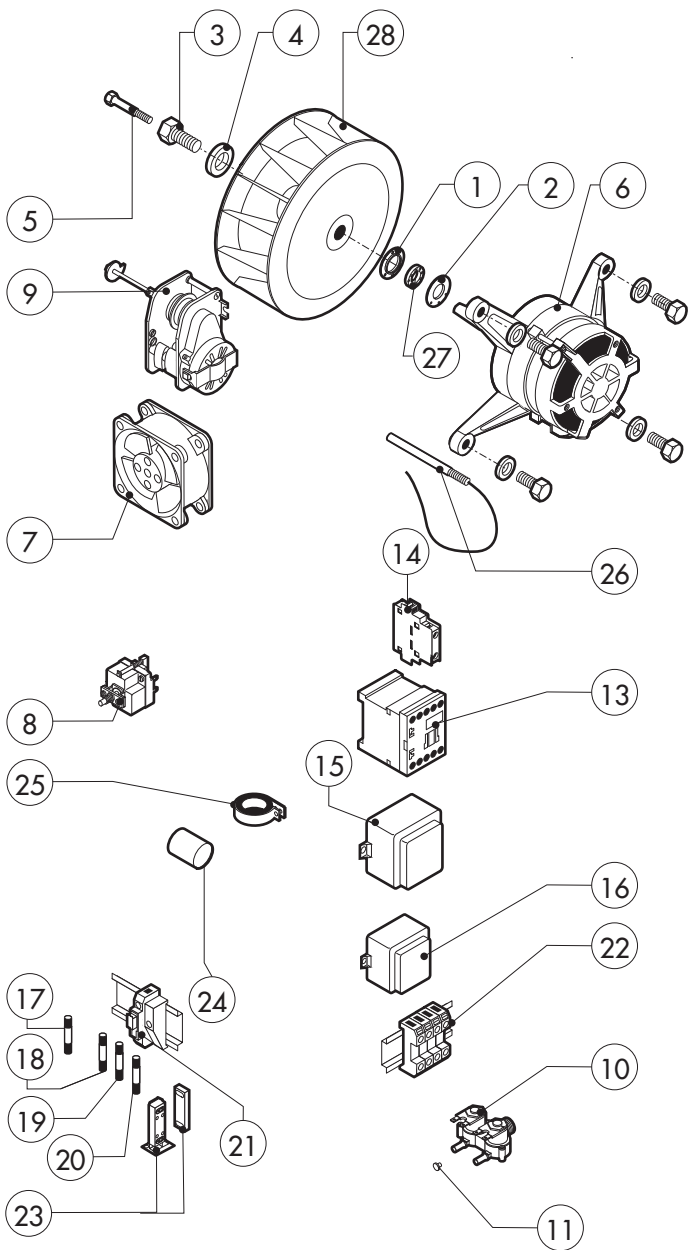
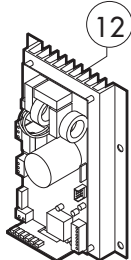
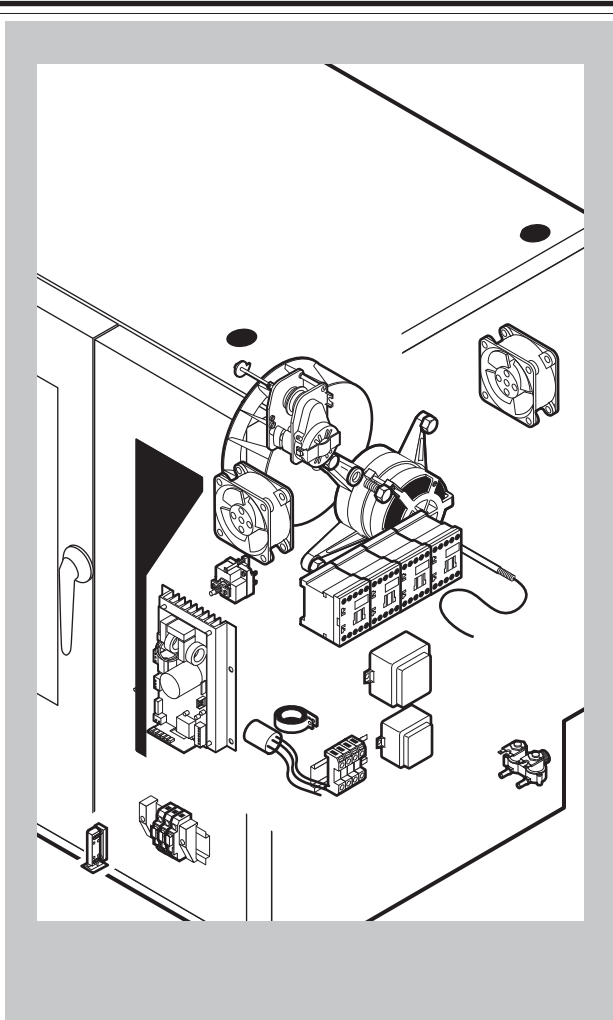


POS.	CODE	PIECES	DESCRIPTION
1	R11101440	1	DOOR
2	R11217600	1	INNER DOOR PANEL
3	R69180180	1	INNER DOOR PANEL DRIP TRAY
4	R11100140	1	INNER DOOR GLASS
5	R69180000	1	DOOR DRIP TRAY DRAINAGE
6	R58001760	2	INNER GLASS SOLID HINGE
7	R58001770	2	INNER GLASS HINGE PIN
8	R58001780	2	INNER GLASS CATCH KIT
9	R11401340	1	TOP "C" PROFILE
10	R11401360	1	LOWER "C" PROFILE
11	R11207240	1	LOWER DOOR HINGE
12	R58002670	1	LOWER HINGE PIN
13	R11200560	1	UPPER DOOR HINGE
14	R58002150	1	HINGE PIN
15	R58004050	2	NUT FOR UPPER DOOR HINGE
16	R10401710	1	WASHER FOR UPPER DOOR HINGE
17	R70050100	6	GLASS SILICON SPACERS
18	R70044150	1	GLASS GASKET
19	R66110320	1	DOOR LAMPS CABLE SET

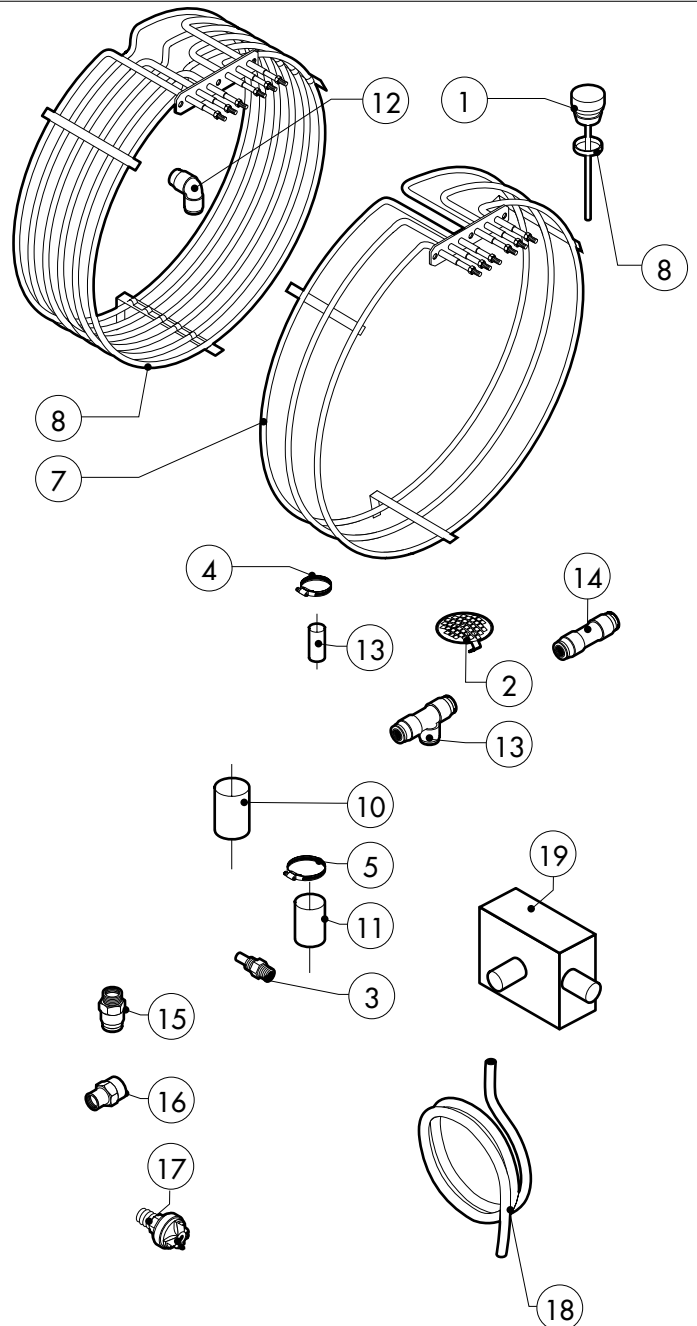
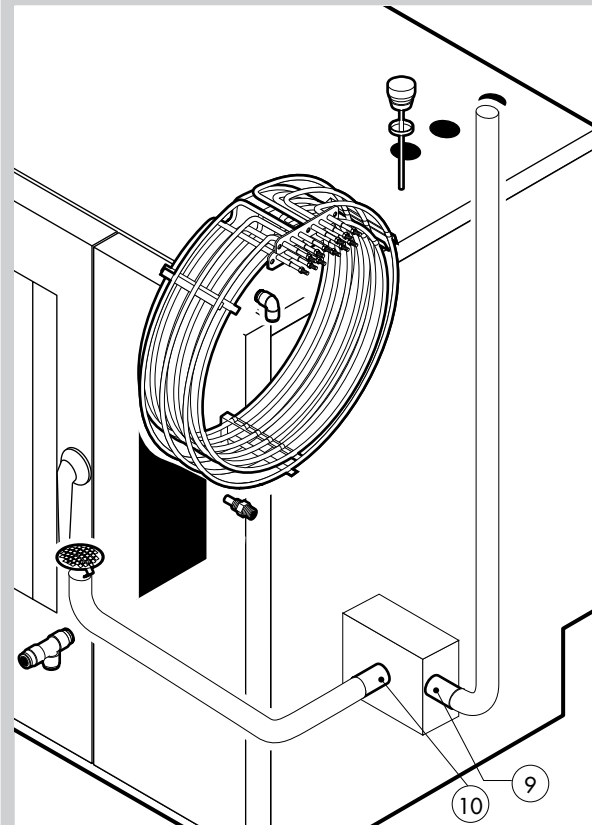
POS.	CODE	PIECES	DESCRIPTION
20	R11401440	2	LAMP COVER
21	R71500150	2	GLASS LAMP
22	R70044200	2	LAMP GASKET
23	R11401450	2	GLASS HOLDER LAMP FLANGE
24	R65270020	2	LIGHT 20W 12V G4
25	R65270450	2	LIGHT SOCKET
26	R65260750	1	LAMPS CONTACT BLOCK
27	R66110300	1	LAMPS CONTACT CABLE SET
28	R11100300	1	DOOR HANDLE ASSEMBLY
29	R69010260	1	DOOR LATCH 1 STEP
30	R69010270	1	DOOR LATCH 2 STEP
31	R69010250	1	DOOR CATCH KIT
32	R69010630	1	INNER DOOR CATCH PLASTIC COVER
33	R61620132	1	PRONG FLANGE



POS.	CODE	PIECES	DESCRIPTION
1	R58003840	1	MOTOR GASKET BRASS FLANGE
2	R58003850	1	MOTOR GASKET BRASS COUNTER FLANGE
3	R58004000	1	FAN SCREW M12x1.5 SX
4	R58004010	1	FAN WASHER Ø 30/12.5
5	R61020562	1	FAN SCREW TE A2 M6x55
6	*R65040530	1	MOTOR 055 KW 200/440V KIT
7	R65060050	2	COMPONENTS VENTILATION MOTOR Ø 120
8	R65070350	1	CHAMBER SAFETY THERMOSTAT
9	R65095000	1	DAMPER SYSTEM
10	R65110210	2	SOLENOID VALVE 220V 50HZ
11	R65110510	1	15 LT/H WATER FLOW REDUCER
12	R65140830	1	INVERTER 0,8KW
	R65140890	1	INVERTER 0,8KW ECS P0010205-0 FROM 11/04/2011
13	*R65140400	4	CONTACTOR 3RT1025-1AL20 240V
14	*R65140430	3	AUX.CONTACT 1L+1R 3RH1921-1FA11
15	R65180430	1	TRANSFORMER 40VA
16	R65180420	1	TRANSFORMER 20VA
17	R65200380	1	FUSE 8A
18	R65200200	1	FUSE 2A
19	R65200350	1	FUSE 0.400A (T)
20	R65200086	1	FUSE 0.125A (T)
21	R65210020	4	FUSE CARRIER

POS.	CODE	PIECES	DESCRIPTION
22	R65220260	1	TERMINAL BOARD
23	R65265100	1	DOOR SWITCH
24	*R65280200	3	INTERFERENCE SUPPRESSOR
25	*R65280490	1	FERRITE FT35
26	R65325000	2	PROBE PT100
27	R70020050	1	MOTOR GASKET
28	*R75400440	1	FAN Ø 350x114/12 50HZ P.D. KIT

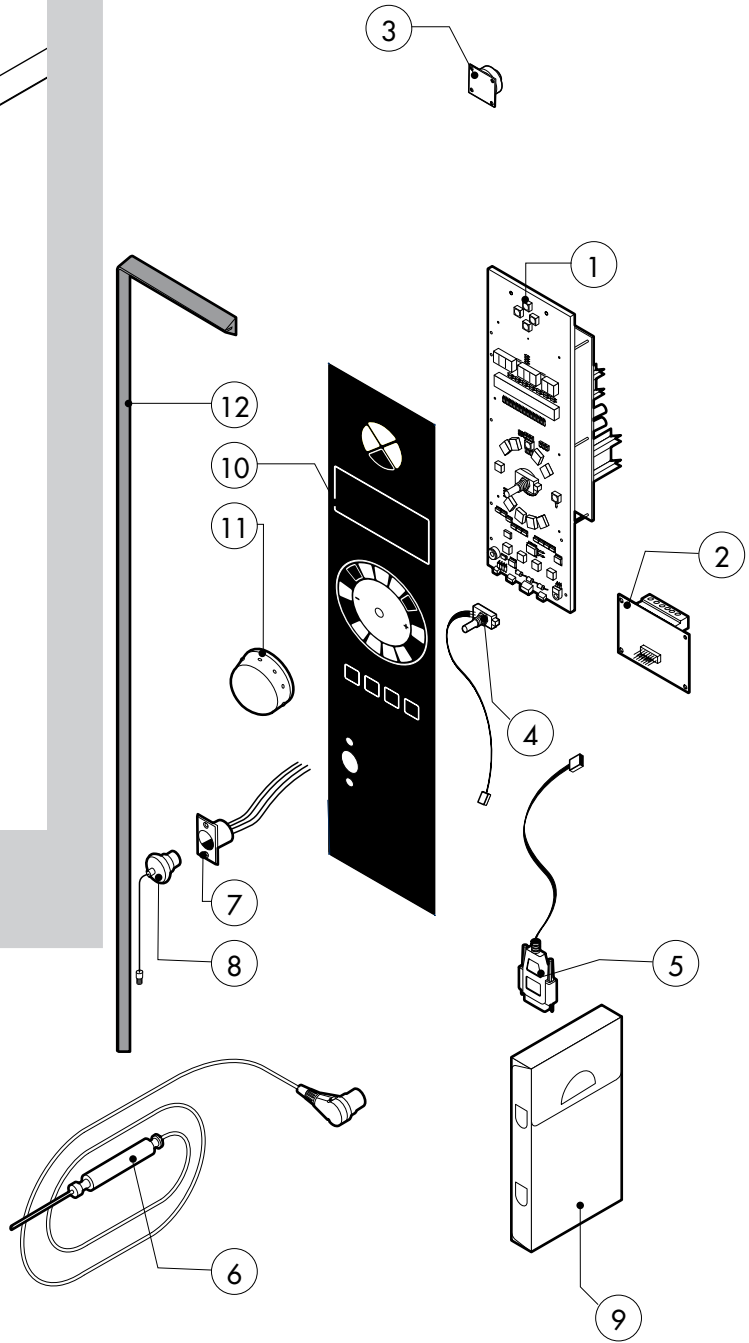
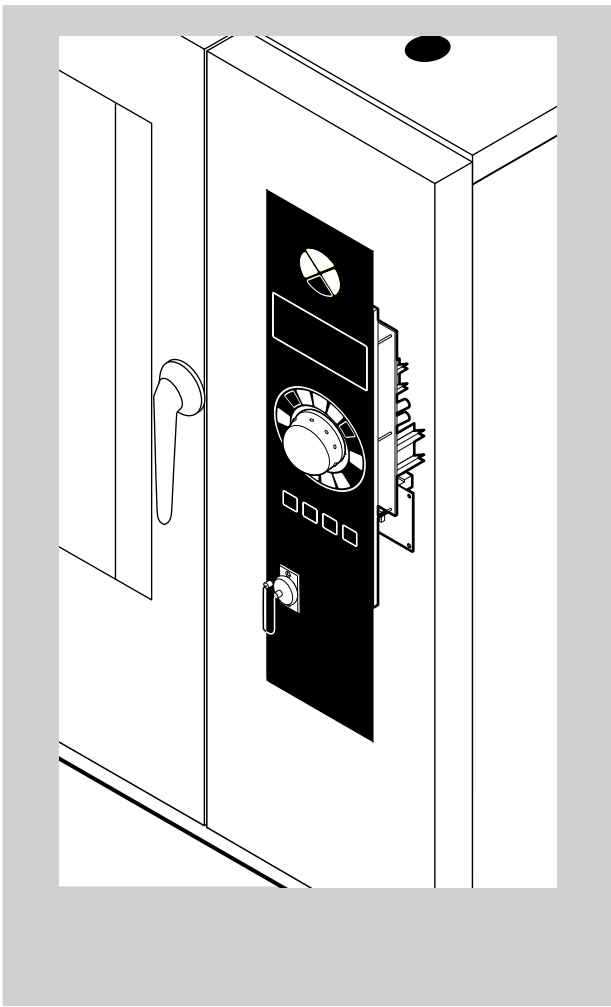
*COMPONENT SUBMITTED TO CHANGEMENTS CAUSED BY TENSION DIFFERENT FROM THE STANDARD (3N AC 400V 50HZ)



POS.	CODE	PIECES	DESCRIPTION
1	R10100140	1	DAMPER SYSTEM CAP
	R10201700	1	DRAIN FILTER
2	R58006130	2	STEAM QUENCHING NOZZLE Ø 1
3	R61630011	2	METAL CLAMPS 12-22/9
4	R61630031	4	METAL CLAMPS 40-60/9
5	*R65011250	1	CHAMBER HEATING ELEMENT 15000W
6	*R65011310	1	CHAMBER HEATING ELEMENT 15000W
7	R70060020	1	DAMPER SYSTEM CAP GASKET
8	R70060040	1	SILICON COUPLING Ø 50
9	R70060050	1	SILICON COUPLING Ø 60
10	R70060080	1	SILICON COUPLING Ø 13
11	R62090478	5	ELBOW MIDDLING PIPE FITTING D.10
12	R62090468	1	*T* MIDDLING PIPE FITTING D.10
13	R62090458	3	STRAIGHT MIDDLING PIPE FITTING D.10
14	R62090508	1	10X1/4 STRAIGHT THREADED TERMINAL PIPE FITTING
15	R62030118	1	1/8"-1/4" FEMALE REDUCTION COUPLING
16	R63070050	1	WATER SAFETY PRESSURE SWITCH 1/8" 0,5-0,35 BAR
17	R70070050	1	PE D.10 MM X7 WATER FLEXIBLE PIPE (3 MT LONG)
18	R69180110	1	QUENCHING-DRAIN COLLECTOR

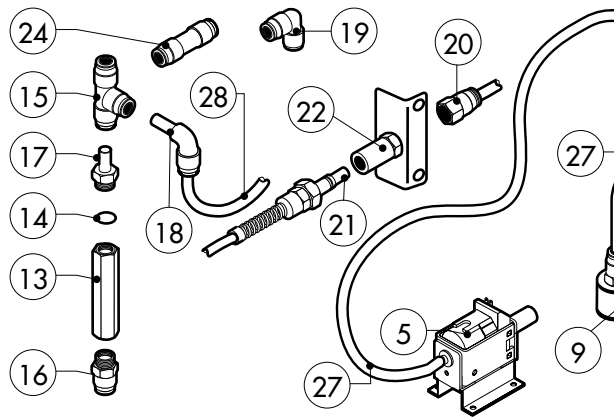
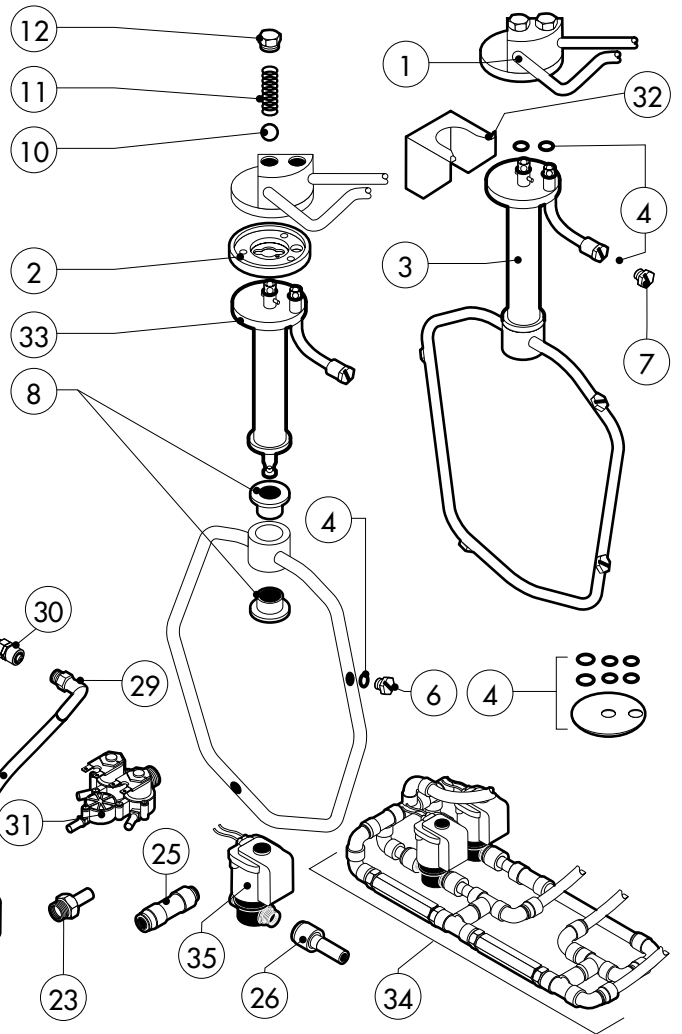
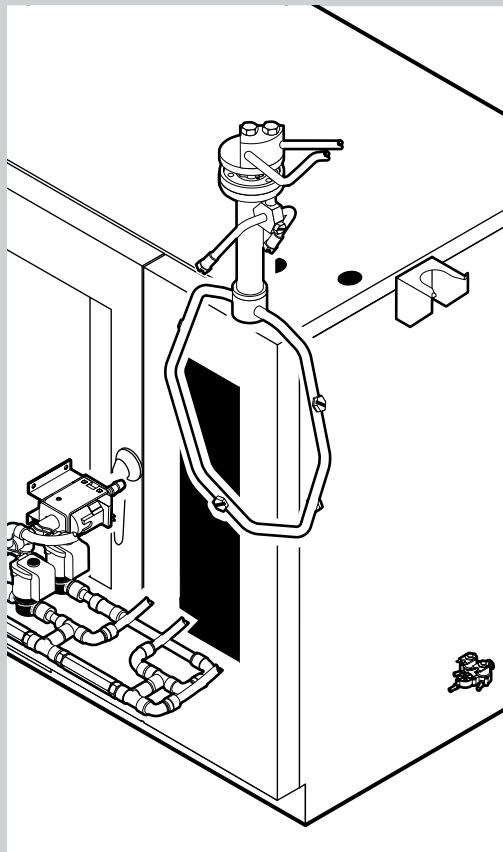
POS.	CODE	PIECES	DESCRIPTION

*COMPONENT SUBMITTED TO CHANGEMENTS CAUSED BY TENSION DIFFERENT FROM THE STANDARD (3N AC 400V 50HZ)



POS.	CODE	PIECES	DESCRIPTION
1	OR65301461	1	CONTROL PANEL P.C. BOARD "T" MOD
2	R65301490	1	INVERTER CONTROL PC BOARD
3	R65301440	1	PC BOARD BUZZER
4	R65301450	1	FRONT PC BOARD ENCODER
5	R65301580	1	PC BOARD SERIES CONNECTION
6	R65321100	1	CORE TEMPERATURE PROBE
7	R65321110	1	CORE TEMPERATURE PROBE FEMALE CONNECTOR
8	R65321020	1	COVER FOR FEMALE CONNECTOR
9	R86020420	1	CORE TEMPERATURE PROBE BOX
10	R67012900	1	LAINOX PLATE "T"
11	R69030270	1	KNOB
12	R70044270	1	CONTROL PANEL GASKET

POS.	CODE	PIECES	DESCRIPTION



POS.	CODE	PIECES	DESCRIPTION
1	R11200891	1	WASHING SYSTEM EXTERNAL ASSEMBLY
2	R58004960	1	WASHING SYSTEM INNER FLANGE
3	R11100520	1	WASHING DEVICE ASSEMBLY
4	R70045100	1	GASKETS KIT
5	R65110600	1	DETRGENT PUMP
6	R62210032	4	1,3 L/MIN RINSING JET
7	R62210042	3	0,56 L/MIN DETERGENT JET
8	R58004980	2	WASHING DEVICE ROTATION BUSH
9	R65110650	1	BOTTOM FILTER
10	R62220012	2	SPHERA D.14
11	R61620041	2	SPRING
12	R58005000	2	1/2" MALE COVER
13	R65110640	2	ANTI-BACK FLOW
14	R70010050	4	OR GASKETS
15	R62090468	5	1" MIDDLING PIPE FITTING D.10
16	R62090508	1	10X1/4 STRAIGHT THREADED TERMINAL PIPE FITTING
17	R62090518	3	10X1/4 END SIDE PIPE FITTING (WITH TANG)
18	R62090528	10	ELBOW PIPE FITTING (WITH TANG) 10 X 10
19	R62090478	4	ELBOW MIDDLING PIPE FITTING D.10

POS.	CODE	PIECES	DESCRIPTION
20	R62090538	1	1/4" FEMALE STRAIGHT PIPE FITTING FOR D.8X6 PIPE
21	R62090482	1	RAPID MALE PIPE FITTING
22	R62090492	1	RAPID FEMALE PIPE FITTING
23	R62090608	2	8X1/8 END SIDE PIPE FITTING (WITH TANG)
24	R62090458	2	STRAIGHT MIDDLING PIPE FITTING D.10
25	R62090618	1	10-8 REDUCTION PIPE FITTING
26	R62090548	4	10-6 REDUCTION PIPE FITTING
27	R70070100	1	PE D.8 MM X 6 DETERGENT FLEXIBLE PIPE
28	R70070050	1	PE D.10 MM X7 WATER FLEXIBLE PIPE (3 MT LONG)
29	R62090648	1	ELBOW PIPE FITTING
30	R62090658	1	1/8" FEMALE STRAIGHT PIPE FITTING FOR D.8X6 PIPE
31	R65110240	1	SOLENOID VALVE 220V 50HZ WITH FLOW REDUCER
32	R11402000	1	WASHING DEVICE EXTERNAL HOLDER
33	R11100550	1	TUBE DEVICE SUPPORT WASHING
34	R62300028	1	ANTI-BACK FLOW DEVICE ASSEMBLY
35	R65110260	2	SOLENOID VALVE D.6 220V 50HZ