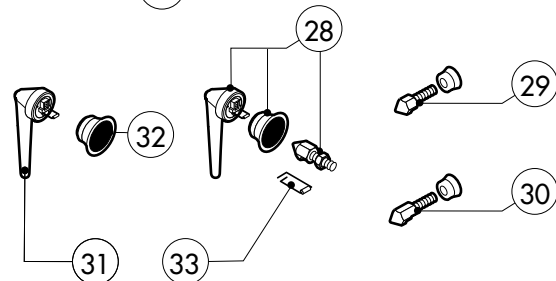
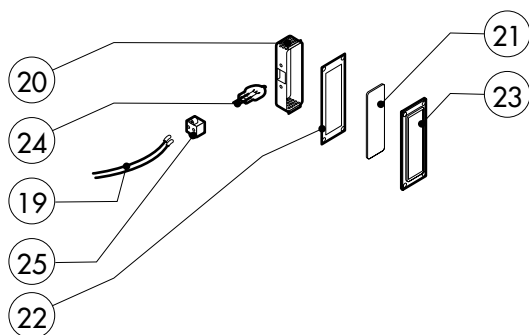
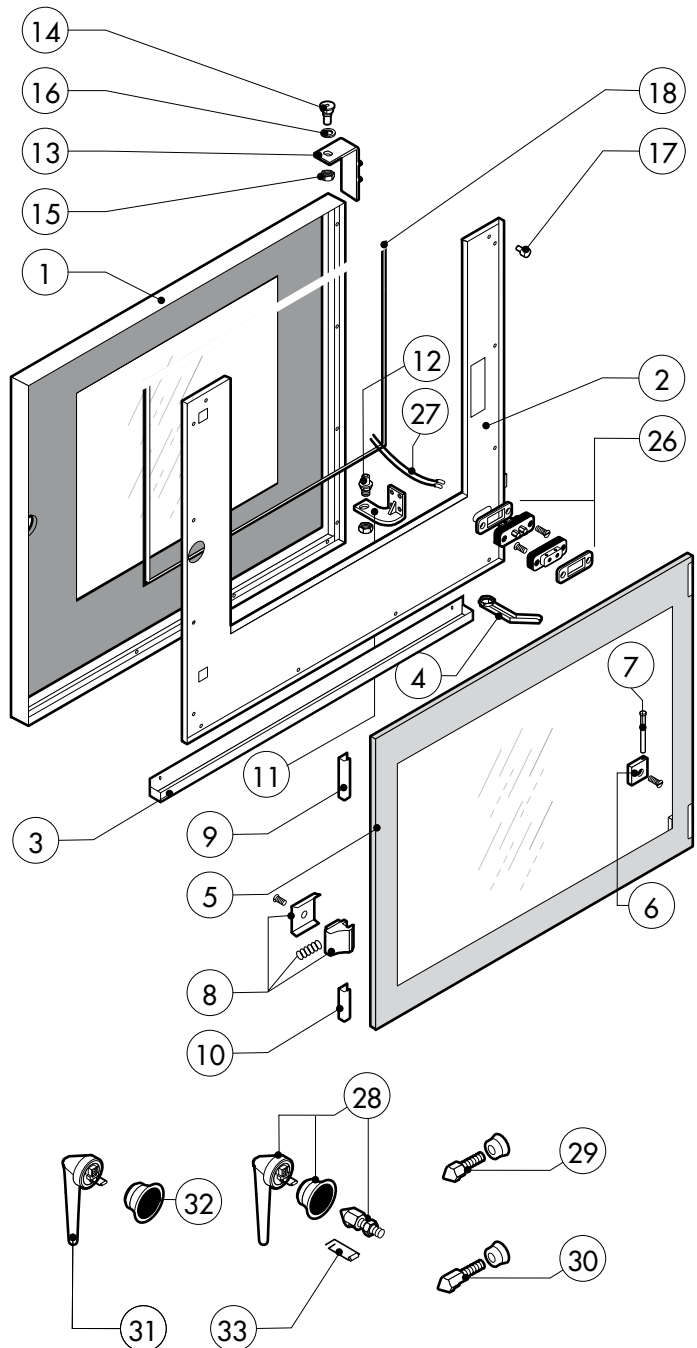
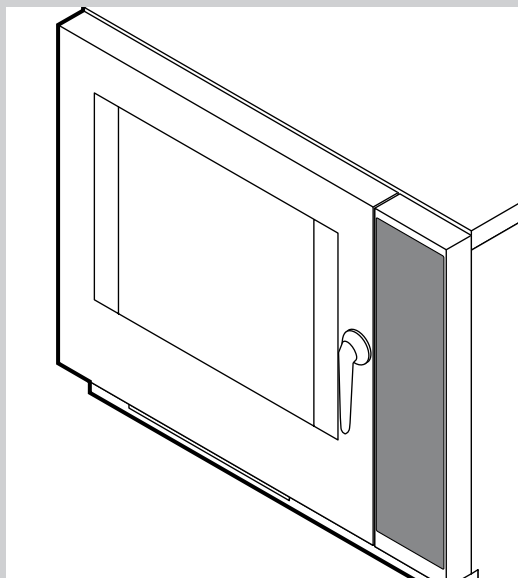


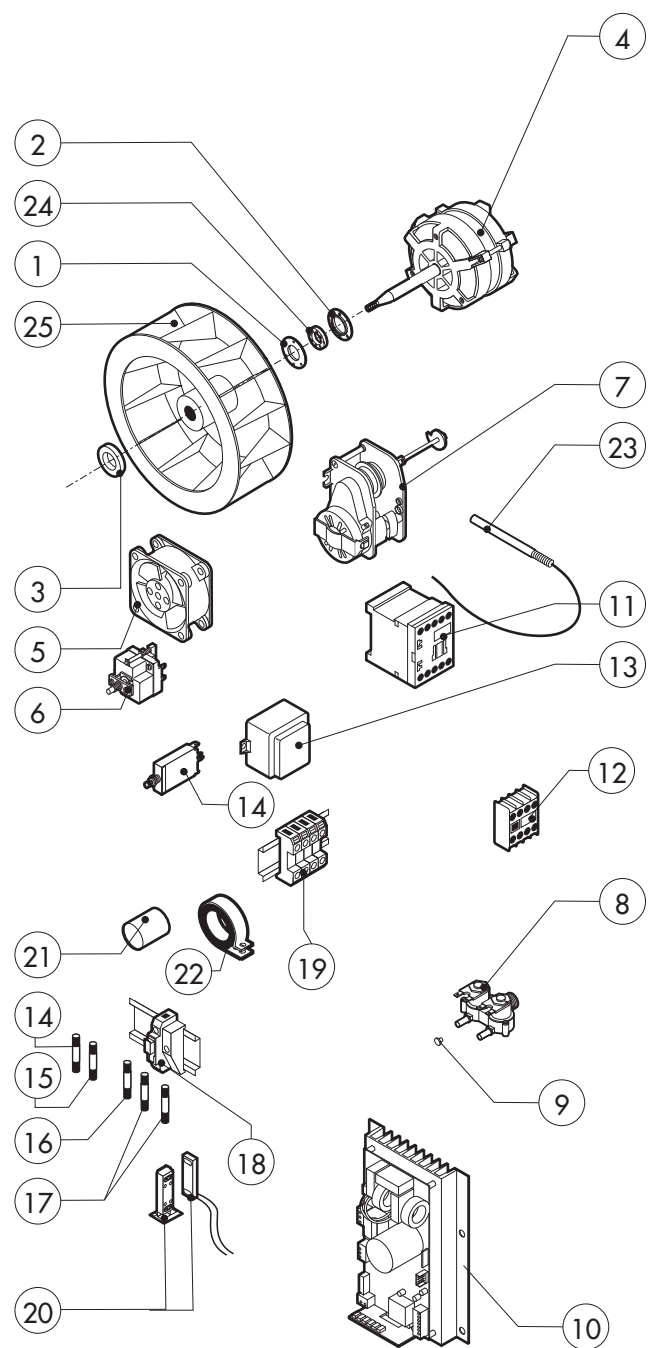
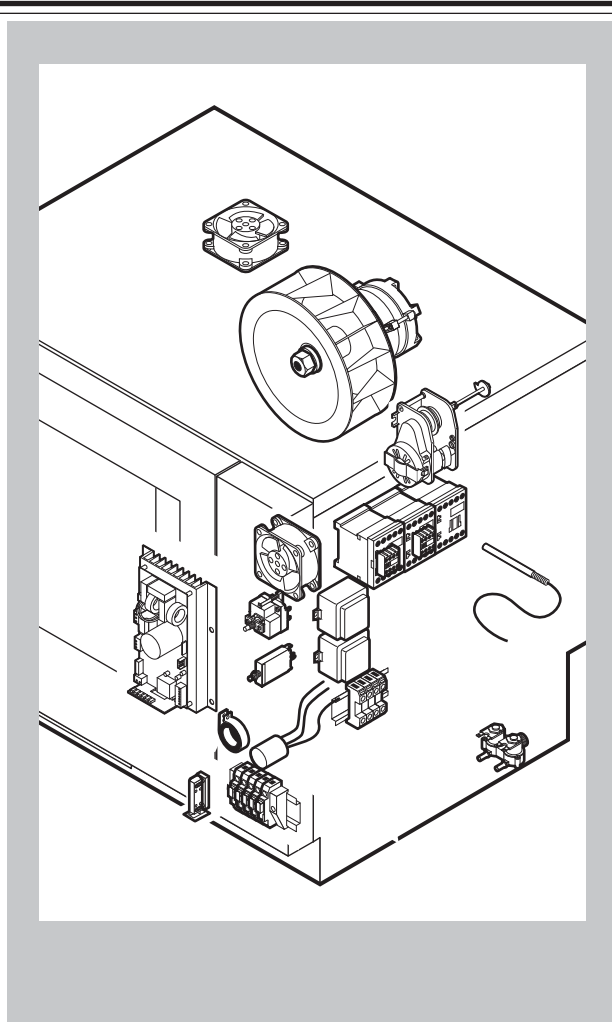
| POS. | CODE | PIECES | DESCRIPTION |
|------|-----------|--------|---------------------------|
| 1 | R11101120 | 1 | DOOR ASSEMBLY |
| 2 | R11215500 | 1 | CONTROL PANEL |
| 3 | R11200650 | 1 | SPRITZER EXTENSION |
| 4 | R11202270 | 1 | SPRITZER UNION |
| 5 | R11200001 | 1 | COOKING CABINET ASSEMBLY |
| 6 | R11200011 | 1 | COOKING CABINET ASSEMBLY |
| 7 | R11200350 | 1 | FAN GUARD PANEL ASSEMBLY |
| 8 | R11200710 | 1 | RIGHT SIDE PANEL |
| 9 | R11200750 | 1 | LEFT SIDE PANEL |
| 10 | R11401970 | 1 | REAR PANEL |
| 11 | R11215130 | 1 | COVER PANEL |
| 12 | R58003110 | 2 | FAN GUARD FASTENING SCREW |
| 13 | R70044100 | 1 | FRONT GASKET |
| 14 | R75300030 | 1 | FAN GUARD GRID Ø 190 |
| 15 | R69180150 | 1 | DRIP TRAY |
| 16 | R11200420 | 1 | REMOVABLE RACK DX |
| 17 | R11200430 | 1 | REMOVABLE RACK SX |
| 18 | R62200131 | 1 | SHOWER KIT |
| 19 | R62200133 | 1 | SHOWER HANDLE |

| POS. | CODE | PIECES | DESCRIPTION |
|------|------|--------|-------------|
| | | | |
| | | | |
| | | | |
| | | | |
| | | | |
| | | | |
| | | | |
| | | | |
| | | | |
| | | | |
| | | | |
| | | | |
| | | | |
| | | | |
| | | | |
| | | | |
| | | | |
| | | | |
| | | | |
| | | | |
| | | | |
| | | | |
| | | | |



| POS. | CODE | PIECES | DESCRIPTION |
|------|-----------|--------|-----------------------------|
| 1 | R11101420 | 1 | DOOR |
| 2 | R11215400 | 1 | INNER DOOR PANEL |
| 3 | R69180160 | 1 | INNER DOOR PANEL DRIP TRAY |
| 4 | R69180000 | 1 | DOOR DRIP TRAY DRAINAGE |
| 5 | R11100130 | 1 | INNER DOOR GLASS |
| 6 | R58001760 | 2 | INNER GLASS SOLID HINGE |
| 7 | R58001770 | 2 | INNER GLASS HINGE PIN |
| 8 | R58001780 | 2 | INNER GLASS CATCH KIT |
| 9 | R11401340 | 1 | TOP "C" PROFILE |
| 10 | R11401360 | 1 | LOWER "C" PROFILE |
| 11 | R11207240 | 1 | LOWER DOOR HINGE |
| 12 | R58002670 | 1 | LOWER HINGE PIN |
| 13 | R11200560 | 1 | UPPER DOOR HINGE |
| 14 | R58002150 | 2 | HINGE PIN |
| 15 | R58004050 | 1 | NUT FOR UPPER DOOR HINGE |
| 16 | R10401710 | 1 | WASHER FOR UPPER DOOR HINGE |
| 17 | R70050100 | 6 | GLASS SILICON SPACERS |
| 18 | R70044150 | 1 | GLASS GASKET |
| 19 | R66110310 | 1 | DOOR LAMPS CABLE SET |

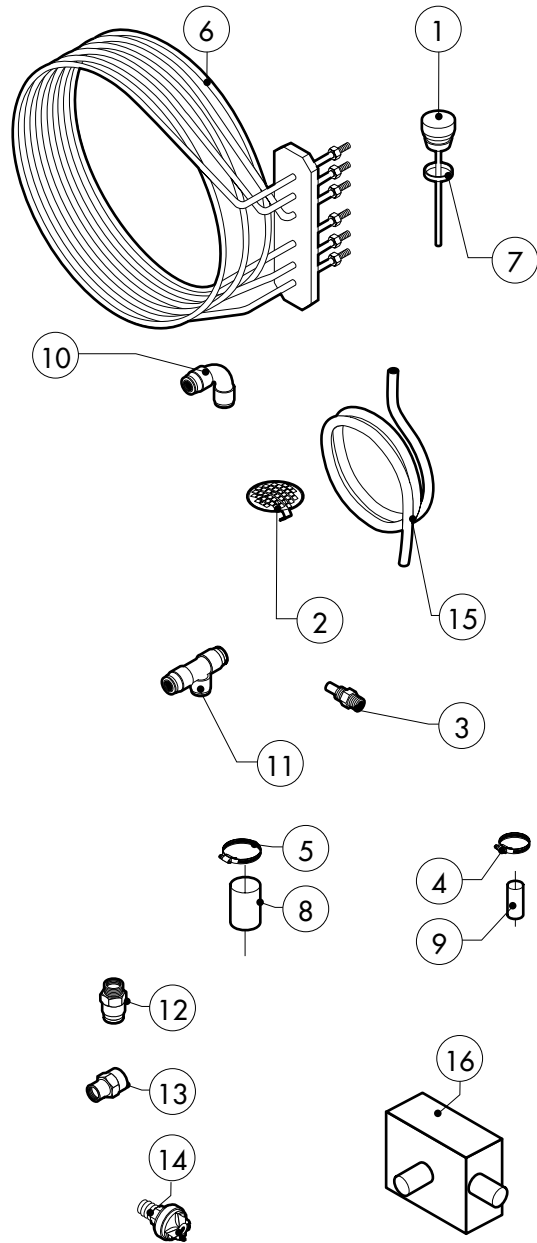
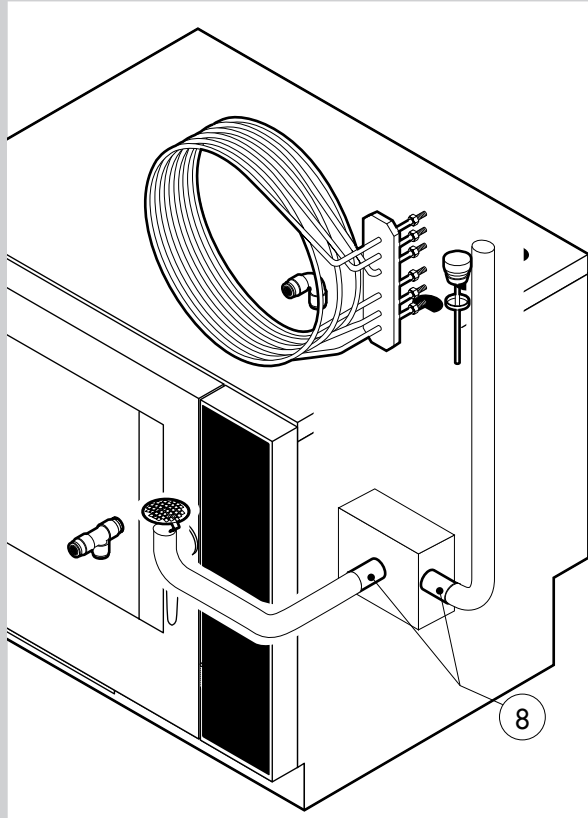
| POS. | CODE | PIECES | DESCRIPTION |
|------|-----------|--------|--------------------------------|
| 20 | R11401440 | 1 | LAMP COVER |
| 21 | R71500150 | 1 | GLASS LAMP |
| 22 | R70044200 | 1 | LAMP GASKET |
| 23 | R11401450 | 1 | GLASS HOLDER LAMP FLANGE |
| 24 | R65270020 | 1 | LIGHT 20W 12V G4 |
| 25 | R65270450 | 1 | LIGHT SOCKET |
| 26 | R65260750 | 1 | LAMPS CONTACT BLOCK |
| 27 | R66110300 | 1 | LAMPS CONTACT CABLE SET |
| 28 | R11100300 | 1 | DOOR HANDLE ASSEMBLY |
| 29 | R69010260 | 1 | DOOR LATCH 1 STEP |
| 30 | R69010270 | 1 | DOOR LATCH 2 STEP |
| 31 | R69010250 | 1 | DOOR CATCH KIT |
| 32 | R69010630 | 1 | INNER DOOR CATCH PLASTIC COVER |
| 33 | R61620132 | 1 | PRONG FLANGE |
| | | | |
| | | | |
| | | | |
| | | | |



| POS. | CODE | PIECES | DESCRIPTION |
|------|------------|--------|---|
| 1 | R58003860 | 1 | MOTOR GASKET BRASS FLANGE |
| 2 | R58003870 | 1 | MOTOR GASKET BRASS COUNTER FLANGE |
| 3 | R61400052 | 1 | FAN WASHER Ø 21/10.5 |
| 4 | *R65040600 | 1 | MOTOR 025KW 220/240V KIT |
| 5 | R65060050 | 2 | COMPONENTS VENTILATION MOTOR Ø 120 |
| 6 | R65070350 | 1 | CHAMBER SAFETY THERMOSTAT |
| 7 | R65095000 | 1 | DAMPER SYSTEM |
| 8 | R65110210 | 2 | SOLENOID VALVE 220V 50HZ |
| 9 | R65110500 | 1 | 10 LT/H WATER FLOW REDUCER |
| 10 | R65140840 | 1 | INVERTER 0,4KW |
| | R65140890 | 1 | INVERTER 0,8KW ECS P0010205-0 FROM 11/04/2011 |
| 11 | *R65140380 | 3 | CONTACTOR 3RT1016-1AP02 240V |
| 12 | *R65140420 | 2 | AUX.CONTACT 1L+1R 3RH1911-1FA11 |
| 13 | R65180420 | 3 | TRANSFORMER 20VA |
| 14 | R65200240 | 1 | FUSE 5A |
| 15 | R65200200 | 1 | FUSE 2A |
| 16 | R65200320 | 1 | FUSE 0.200A (T) |
| 17 | R65200086 | 2 | FUSE 0.125A (T) |
| 18 | R65210020 | 5 | FUSE CARRIER |

| POS. | CODE | PIECES | DESCRIPTION |
|------|------------|--------|------------------------------|
| 19 | R65220091 | 1 | TERMINAL BOARD |
| 20 | R65265100 | 1 | DOOR SWITCH |
| 21 | *R65280200 | 3 | INTERFERENCE SUPPRESSOR |
| 22 | *R65280490 | 1 | FERRITE FT35 |
| 23 | R65320220 | 2 | PROBE K |
| 24 | R70020040 | 1 | MOTOR GASKET |
| 25 | *R75400490 | 1 | FAN Ø 220x80/8 50HZ P.D. KIT |

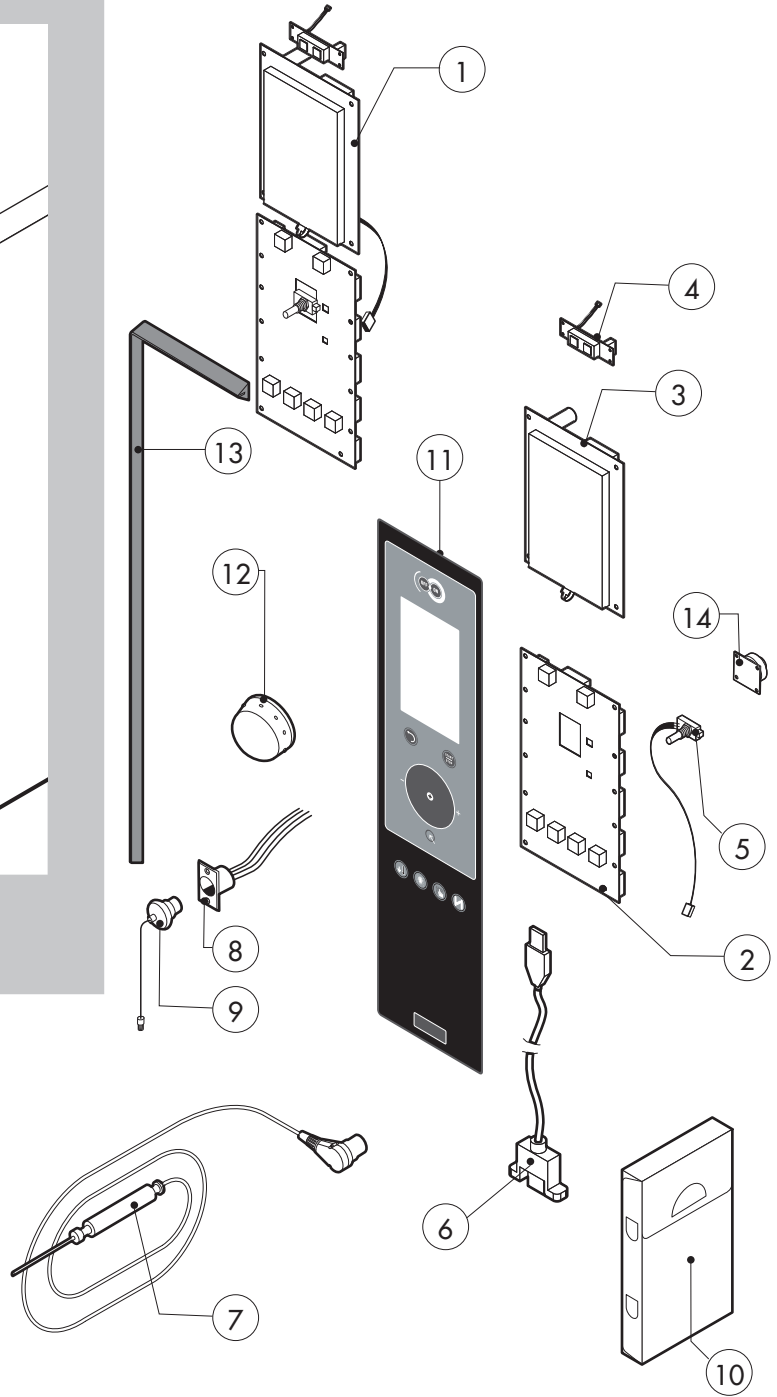
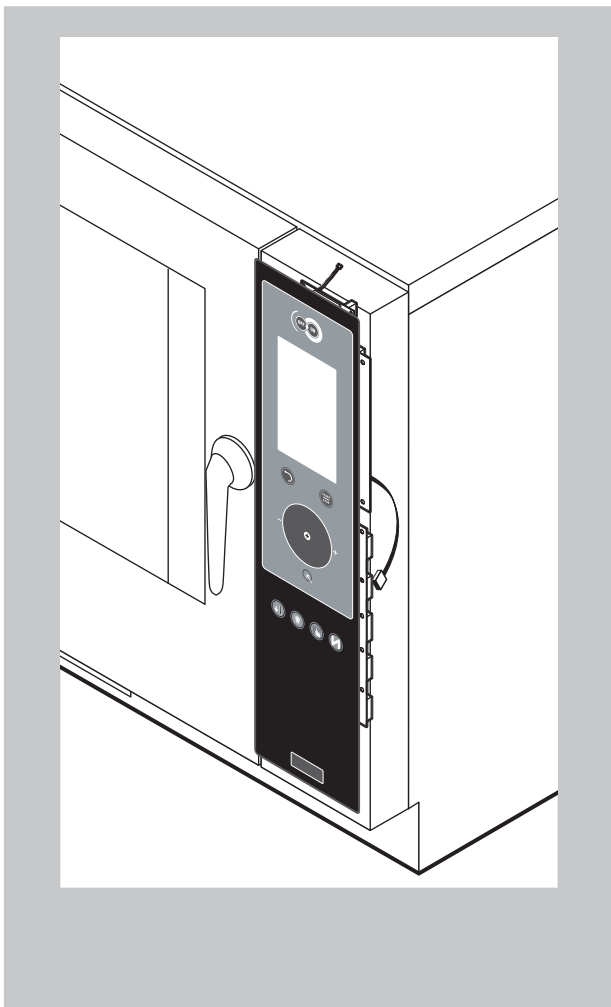
*COMPONENT SUBMITTED TO CHANGEMENTS CAUSED BY TENSION DIFFERENT FROM THE STANDARD (3N AC 400V 50HZ)



| POS. | CODE | PIECES | DESCRIPTION |
|------|------------|--------|--|
| 1 | R10100140 | 1 | DAMPER SYSTEM CAP |
| | R10201700 | 1 | DRAIN FILTER |
| 3 | R58006130 | 2 | STEAM QUENCHING NOZZLE Ø 1 |
| 4 | R61630011 | 2 | METAL CLAMPS 12-22/9 |
| 5 | R61630031 | 4 | METAL CLAMPS 40-60/9 |
| 6 | *R65011540 | 1 | CHAMBER HEATING ELEMENT 7500W |
| 7 | R70060020 | 1 | DAMPER SYSTEM CAP GASKET |
| 8 | R70060040 | 2 | SILICON COUPLING Ø 50 |
| 9 | R70060080 | 1 | SILICON COUPLING Ø 13 |
| 10 | R62090478 | 5 | ELBOW MIDDLING PIPE FITTING D.10 |
| 11 | R62090468 | 1 | "T" MIDDLING PIPE FITTING D.10 |
| 12 | R62090508 | 1 | 10X1/4 STRAIGHT THREADED TERMINAL PIPE FITTING |
| 13 | R62030118 | 1 | 1/8"-1/4" FEMALE REDUCTION COUPLING |
| 14 | R63070050 | 1 | WATER SAFETY PRESSURE SWITCH 1/8" 0,5-0,35 BAR |
| 15 | R70070050 | 1 | PE D.10 MM X7 WATER FLEXIBLE PIPE (3 MT LONG) |
| 16 | R69180100 | 1 | QUENCHING-DRAIN COLLECTOR |

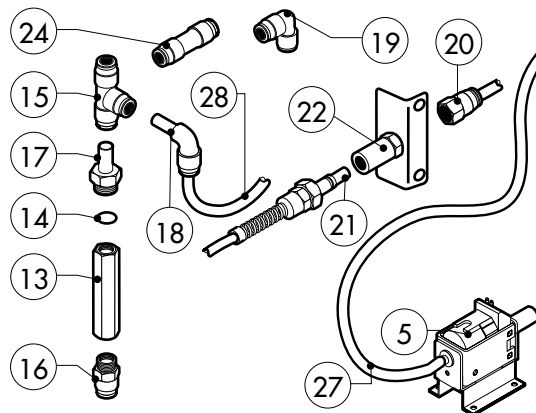
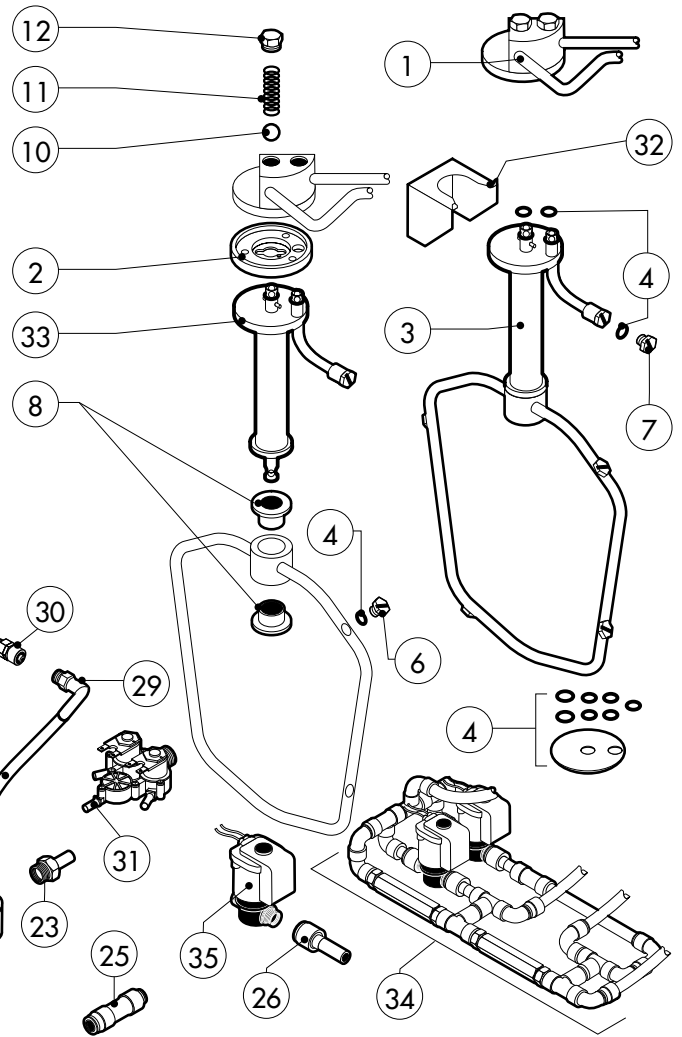
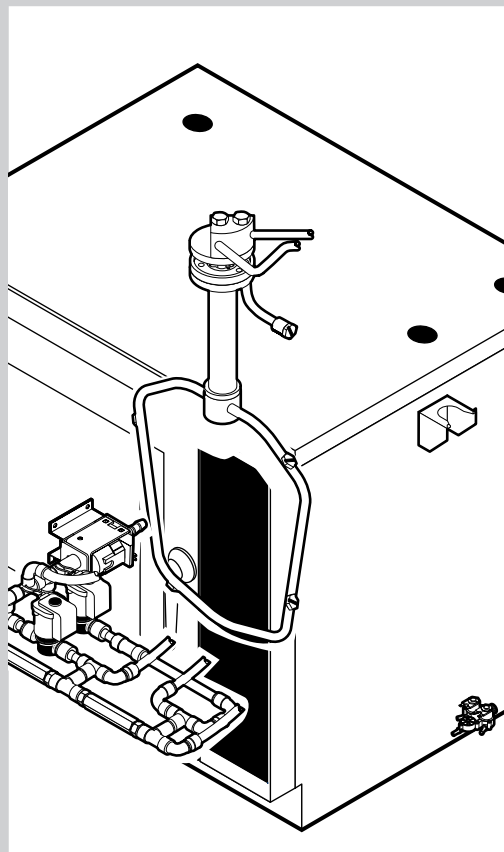
| POS. | CODE | PIECES | DESCRIPTION |
|------|------|--------|-------------|
| | | | |
| | | | |
| | | | |
| | | | |
| | | | |
| | | | |
| | | | |
| | | | |
| | | | |
| | | | |
| | | | |
| | | | |
| | | | |
| | | | |
| | | | |
| | | | |
| | | | |

*COMPONENT SUBMITTED TO CHANGEMENTS CAUSED BY TENSION DIFFERENT FROM THE STANDARD (3N AC 400V 50HZ)



| POS. | CODE | PIECES | DESCRIPTION |
|------|-----------|--------|---|
| 1 | R65301900 | 1 | CONTROL PANEL P.C. BOARD "X" MOD |
| 2 | R65301910 | 1 | MAIN PC BOARD "X" MOD |
| 3 | R65301920 | 1 | LCD-DISPLAY PC BOARD |
| 4 | R65301930 | 1 | ON/OFF PC BOARD |
| 5 | R65301940 | 1 | FRONT PC BOARD ENCODER |
| 6 | R65301970 | 1 | PC BOARD CONNECTION USB |
| 7 | R65321100 | 1 | CORE TEMPERATURE PROBE |
| 8 | R65321110 | 1 | CORE TEMPERATURE PROBE FEMALE CONNECTOR |
| 9 | R65321020 | 1 | COVER FOR FEMALE CONNECTOR |
| 10 | R86020420 | 1 | CORE TEMPERATURE PROBE BOX |
| 11 | R67013900 | 1 | LAINOX PLATE "X" |
| 12 | R69030270 | 1 | KNOB |
| 13 | R70044250 | 1 | CONTROL PANEL GASKET |
| 14 | R65301960 | 1 | PC BOARD BUZZER |
| | | | |
| | | | |
| | | | |
| | | | |
| | | | |
| | | | |
| | | | |
| | | | |

| POS. | CODE | PIECES | DESCRIPTION |
|------|------|--------|-------------|
| | | | |
| | | | |
| | | | |
| | | | |
| | | | |
| | | | |
| | | | |
| | | | |
| | | | |
| | | | |
| | | | |
| | | | |
| | | | |
| | | | |
| | | | |
| | | | |
| | | | |
| | | | |
| | | | |
| | | | |
| | | | |
| | | | |



| POS. | CODE | PIECES | DESCRIPTION |
|------|-----------|--------|--|
| 1 | R11200871 | 1 | WASHING SYSTEM EXTERNAL ASSEMBLY |
| 2 | R58004960 | 1 | WASHING SYSTEM INNER FLANGE |
| 3 | R11100500 | 1 | WASHING DEVICE ASSEMBLY |
| 4 | R70045090 | 1 | GASKETS KIT |
| 5 | R65110600 | 1 | DETRGENT PUMP |
| 6 | R62210032 | 4 | 1,3 L/MIN RINSING JET |
| 7 | R62210042 | 1 | 0,56 L/MIN DETERGENT JET |
| 8 | R58004980 | 2 | WASHING DEVICE ROTATION BUSH |
| 9 | R65110650 | 1 | BOTTOM FILTER |
| 10 | R62220012 | 2 | SPHERA D.14 |
| 11 | R61620041 | 2 | SPRING |
| 12 | R58005000 | 2 | 1/2" MALE COVER |
| 13 | R65110640 | 2 | ANTI-BACK FLOW |
| 14 | R70010050 | 4 | OR GASKETS |
| 15 | R62090468 | 5 | "T" MIDDLING PIPE FITTING D.10 |
| 16 | R62090508 | 1 | 10X1/4 STRAIGHT THREADED TERMINAL PIPE FITTING |
| 17 | R62090518 | 3 | 10X1/4 END SIDE PIPE FITTING (WITH TANG) |
| 18 | R62090528 | 10 | ELBOW PIPE FITTING (WITH TANG) 10 X 10 |
| 19 | R62090478 | 4 | ELBOW MIDDLING PIPE FITTING D.10 |

| POS. | CODE | PIECES | DESCRIPTION |
|------|-----------|--------|--|
| 20 | R62090538 | 1 | 1/4" FEMALE STRAIGHT PIPE FITTING FOR D.8X6 PIPE |
| 21 | R62090482 | 1 | RAPID MALE PIPE FITTING |
| 22 | R62090492 | 1 | RAPID FEMALE PIPE FITTING |
| 23 | R62090608 | 1 | 8X1/8 END SIDE PIPE FITTING (WITH TANG) |
| 24 | R62090458 | 1 | STRAIGHT MIDDLING PIPE FITTING D.10 |
| 25 | R62090618 | 1 | 10-8 REDUCTION PIPE FITTING |
| 26 | R62090548 | 4 | 10-6 REDUCTION PIPE FITTING |
| 27 | R70070100 | 1 | PE D.8 MM X 6 DETERGENT FLEXIBLE PIPE |
| 28 | R70070050 | 1 | PE D.10 MM X7 WATER FLEXIBLE PIPE (3 MT LONG) |
| 29 | R62090648 | 1 | ELBOW PIPE FITTING |
| 30 | R62090658 | 1 | 1/8" FEMALE STRAIGHT PIPE FITTING FOR D.8X6 PIPE |
| 31 | R65110240 | 1 | SOLENOID VALVE 220V 50HZ WITH FLOW REDUCER |
| 32 | R11402000 | 1 | WASHING DEVICE EXTERNAL HOLDER |
| 33 | R11100560 | 1 | TUBE DEVICE SUPPORT WASHING |
| 34 | R62300028 | 1 | ANTI-BACK FLOW DEVICE ASSEMBLY |
| 35 | R65110260 | 2 | SOLENOID VALVE D.6 220V 50HZ |