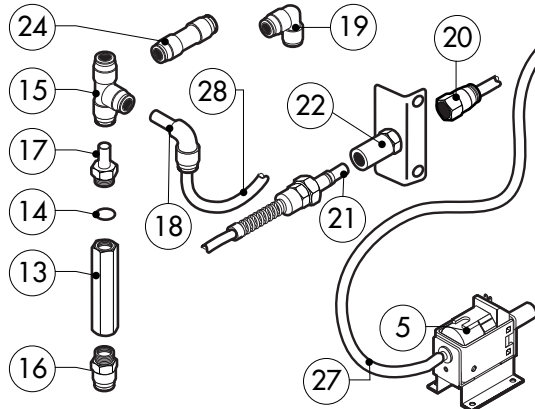
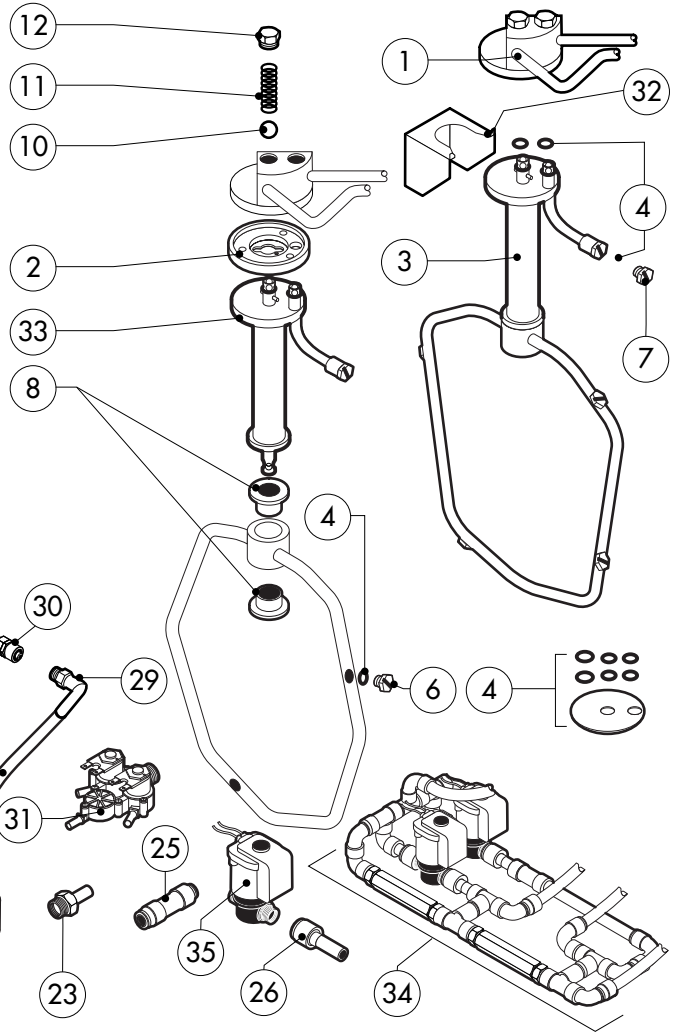
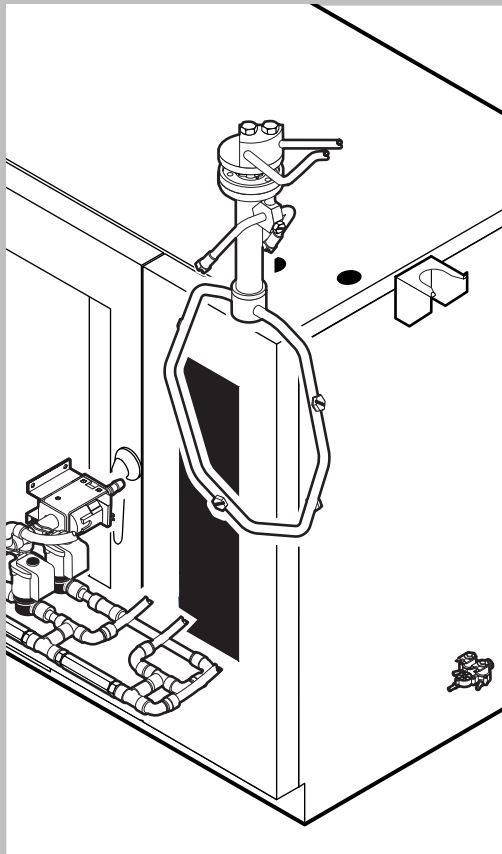


| POS. | CODE | PIECES | DESCRIPTION |
|------|-----------|--------|-----------------------------|
| 1 | R11101440 | 1 | DOOR |
| 2 | R11217600 | 1 | INNER DOOR PANEL |
| 3 | R69180180 | 1 | INNER DOOR PANEL DRIP TRAY |
| 4 | R11100140 | 1 | INNER DOOR GLASS |
| 5 | R69180000 | 1 | DOOR DRIP TRAY DRAINAGE |
| 6 | R58001760 | 2 | INNER GLASS SOLID HINGE |
| 7 | R58001770 | 2 | INNER GLASS HINGE PIN |
| 8 | R58001780 | 2 | INNER GLASS CATCH KIT |
| 9 | R11401340 | 1 | TOP "C" PROFILE |
| 10 | R11401360 | 1 | LOWER "C" PROFILE |
| 11 | R11207240 | 1 | LOWER DOOR HINGE |
| 12 | R58002670 | 1 | LOWER HINGE PIN |
| 13 | R11200560 | 1 | UPPER DOOR HINGE |
| 14 | R58002150 | 1 | HINGE PIN |
| 15 | R58004050 | 2 | NUT FOR UPPER DOOR HINGE |
| 16 | R10401710 | 1 | WASHER FOR UPPER DOOR HINGE |
| 17 | R70050100 | 6 | GLASS SILICON SPACERS |
| 18 | R70044150 | 1 | GLASS GASKET |
| 19 | R66110320 | 1 | DOOR LAMPS CABLE SET |

| POS. | CODE | PIECES | DESCRIPTION |
|------|-----------|--------|--------------------------------|
| 20 | R11401440 | 2 | LAMP COVER |
| 21 | R71500150 | 2 | GLASS LAMP |
| 22 | R70044200 | 2 | LAMP GASKET |
| 23 | R11401450 | 2 | GLASS HOLDER LAMP FLANGE |
| 24 | R65270020 | 2 | LIGHT 20W 12V G4 |
| 25 | R65270450 | 2 | LIGHT SOCKET |
| 26 | R65260750 | 1 | LAMPS CONTACT BLOCK |
| 27 | R66110300 | 1 | LAMPS CONTACT CABLE SET |
| 28 | R11100300 | 1 | DOOR HANDLE ASSEMBLY |
| 29 | R69010260 | 1 | DOOR LATCH 1 STEP |
| 30 | R69010270 | 1 | DOOR LATCH 2 STEP |
| 31 | R69010250 | 1 | DOOR CATCH KIT |
| 32 | R69010630 | 1 | INNER DOOR CATCH PLASTIC COVER |
| 33 | R61620132 | 1 | PRONG FLANGE |



| POS. | CODE | PIECES | DESCRIPTION |
|------|-----------|--------|--|
| 1 | R11200891 | 1 | WASHING SYSTEM EXTERNAL ASSEMBLY |
| 2 | R58004960 | 1 | WASHING SYSTEM INNER FLANGE |
| 3 | R11100520 | 1 | WASHING DEVICE ASSEMBLY |
| 4 | R70045100 | 1 | GASKETS KIT |
| 5 | R65110600 | 1 | DETRGENT PUMP |
| 6 | R62210032 | 4 | 1,3 L/MIN RINSING JET |
| 7 | R62210042 | 3 | 0,56 L/MIN DETERGENT JET |
| 8 | R58004980 | 2 | WASHING DEVICE ROTATION BUSH |
| 9 | R65110650 | 1 | BOTTOM FILTER |
| 10 | R62220012 | 2 | SPHERA D.14 |
| 11 | R61620041 | 2 | SPRING |
| 12 | R58005000 | 2 | 1/2" MALE COVER |
| 13 | R65110640 | 2 | ANTI-BACK FLOW |
| 14 | R70010050 | 4 | OR GASKETS |
| 15 | R62090468 | 5 | "T" MIDLING PIPE FITTING D.10 |
| 16 | R62090508 | 1 | 10X1/4 STRAIGHT THREADED TERMINAL PIPE FITTING |
| 17 | R62090518 | 3 | 10X1/4 END SIDE PIPE FITTING (WITH TANG) |
| 18 | R62090528 | 10 | ELBOW PIPE FITTING (WITH TANG) 10 X 10 |
| 19 | R62090478 | 4 | ELBOW MIDLING PIPE FITTING D.10 |

| POS. | CODE | PIECES | DESCRIPTION |
|------|-----------|--------|--|
| 20 | R62090538 | 1 | 1/4" FEMALE STRAIGHT PIPE FITTING FOR D.8X6 PIPE |
| 21 | R62090482 | 1 | RAPID MALE PIPE FITTING |
| 22 | R62090492 | 1 | RAPID FEMALE PIPE FITTING |
| 23 | R62090608 | 2 | 8X1/8 END SIDE PIPE FITTING (WITH TANG) |
| 24 | R62090458 | 2 | STRAIGHT MIDLING PIPE FITTING D.10 |
| 25 | R62090618 | 1 | 10-8 REDUCTION PIPE FITTING |
| 26 | R62090548 | 4 | 10-6 REDUCTION PIPE FITTING |
| 27 | R70070100 | 1 | PE D.8 MM X 6 DETERGENT FLEXIBLE PIPE |
| 28 | R70070050 | 1 | PE D.10 MM X7 WATER FLEXIBLE PIPE (3 MT LONG) |
| 29 | R62090648 | 1 | ELBOW PIPE FITTING |
| 30 | R62090658 | 1 | 1/8" FEMALE STRAIGHT PIPE FITTING FOR D.8X6 PIPE |
| 31 | R65110240 | 1 | SOLENOID VALVE 220V 50HZ WITH FLOW REDUCER |
| 32 | R11402000 | 1 | WASHING DEVICE EXTERNAL HOLDER |
| 33 | R11100550 | 1 | TUBE DEVICE SUPPORT WASHING |
| 34 | R62300028 | 1 | ANTI-BACK FLOW DEVICE ASSEMBLY |
| 35 | R65110260 | 2 | SOLENOID VALVE D.6 220V 50HZ |