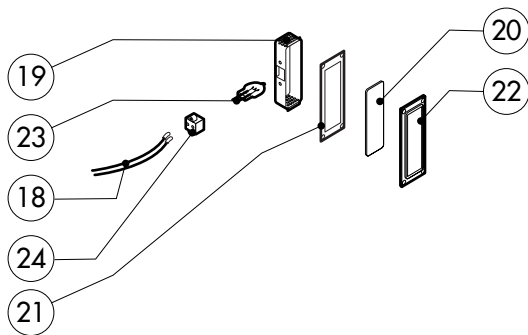
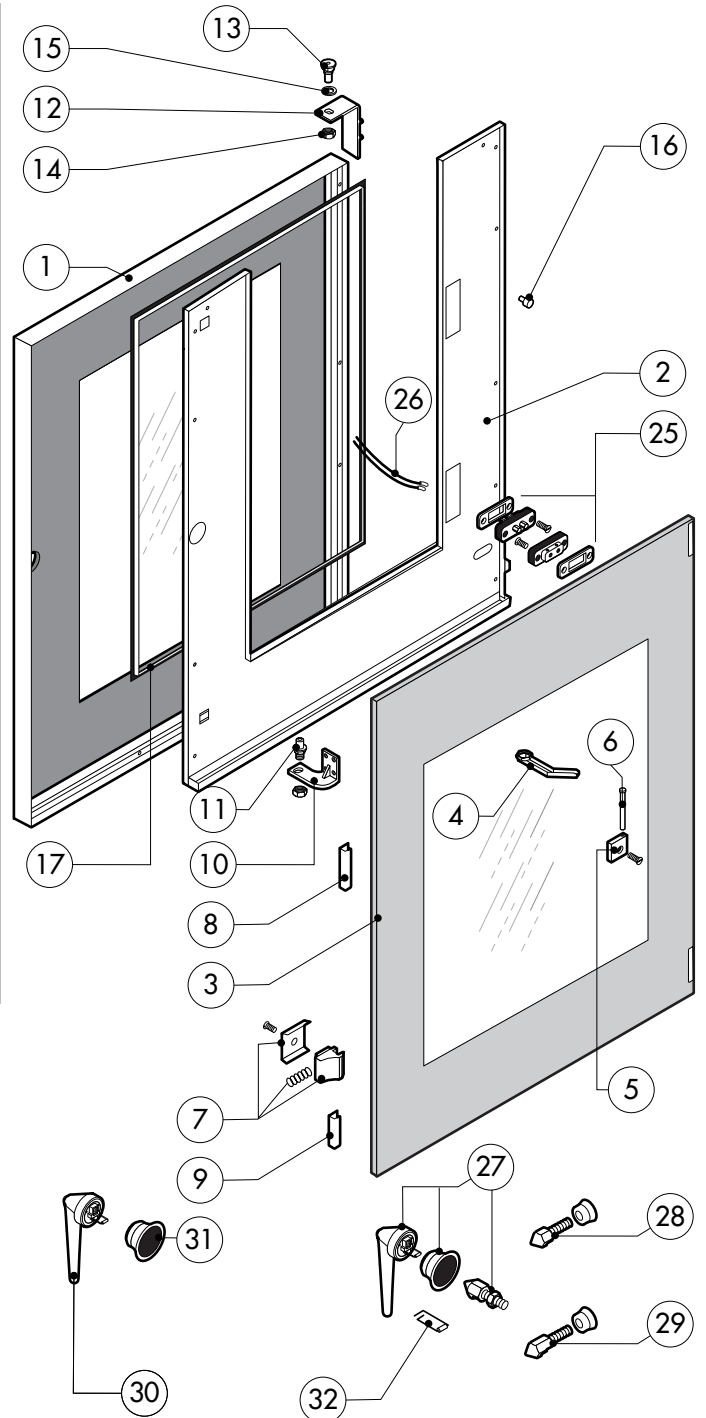
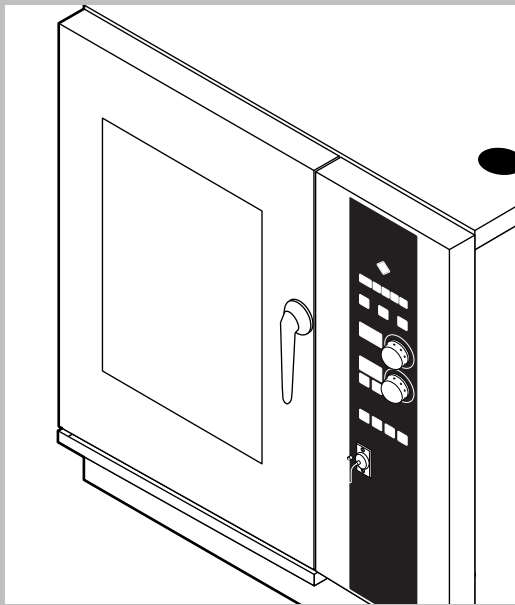


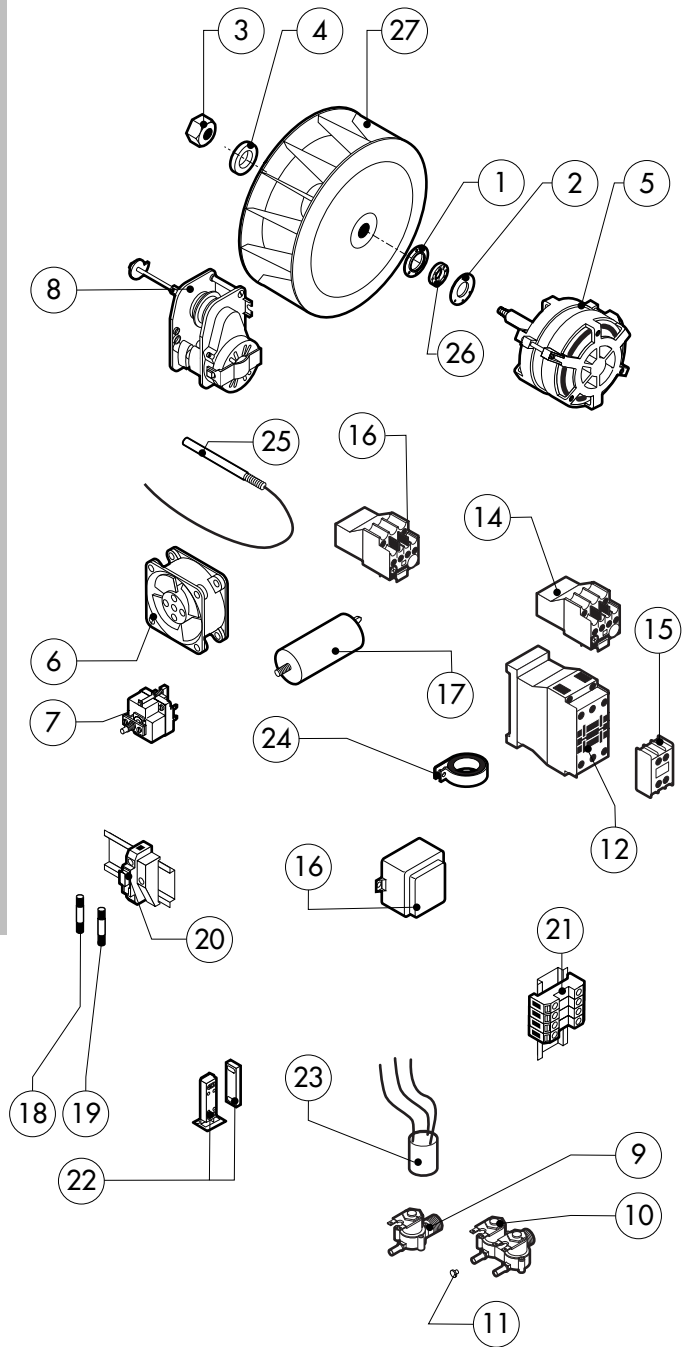
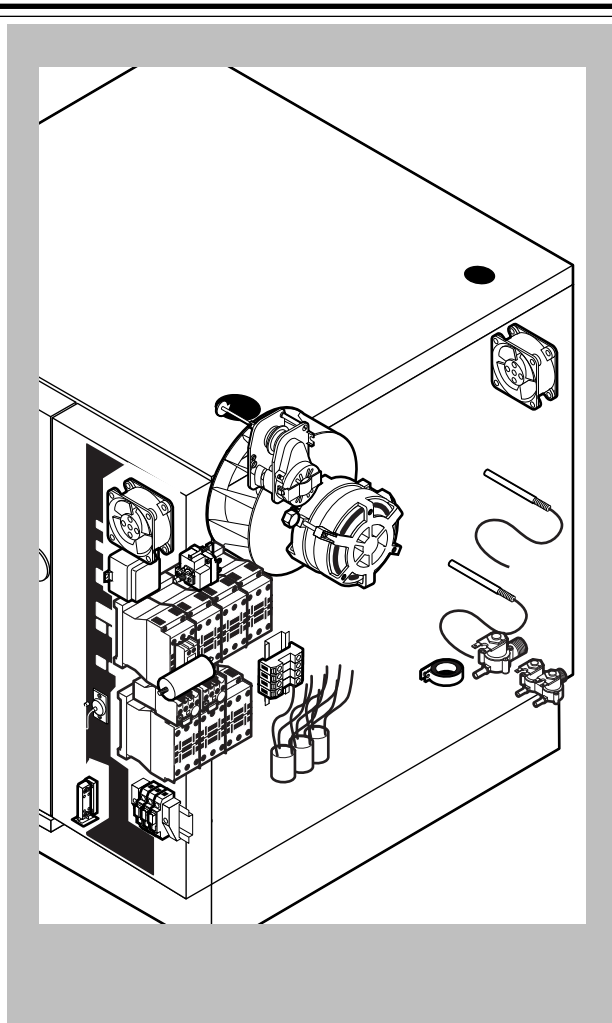
POS.	CODE	PIECES	DESCRIPTION
1	R14102000	1	DOOR ASSEMBLY UNTIL CRXXXXXX0
	R14102010	1	DOOR ASSEMBLY FROM CRXXXXXX1
2	R14210810	1	CONTROL PANEL UNTIL CRXXXXXX0
	R14214360	1	CONTROL PANEL FROM CRXXXXXX1
3	R11200650	1	SPRITZER EXTENSION
4	R11200380	1	SPRITZER UNION
5	R14102090	1	COOKING CABINET ASSEMBLY
6	R14210640	1	FAN GUARD PANEL ASSEMBLY
7	R14421010	1	RIGHT SIDE PANEL UNTIL CRXXXXXX0
	R14214250	1	RIGHT SIDE PANEL FROM CRXXXXXX1
8	R14421020	1	LEFT SIDE PANEL UNTIL CRXXXXXX0
	R14214260	1	LEFT SIDE PANEL FROM CRXXXXXX1
9	R14210760	1	REAR PANEL UNTIL CRXXXXXX0
	R14214270	1	REAR PANEL FROM CRXXXXXX1
10	R14210270	1	COVER PANEL UNTIL CRXXXXXX0
	R14214110	1	COVER PANEL FROM CRXXXXXX1
11	R58003100	2	FAN GUARD FASTENING SCREW
12	R70044210	1	FRONT GASKET
13	R75300020	1	FAN GUARD GRID Ø 120

POS.	CODE	PIECES	DESCRIPTION
14	R75300030	1	FAN GUARD GRID Ø 190
15	R14210680	1	REMOVABLE RACK DX
16	R14210690	1	REMOVABLE RACK SX



POS.	CODE	PIECES	DESCRIPTION
1	R14210150	1	DOOR UNTIL CRXXXXXX0
	R14214200	1	DOOR FROM CRXXXXXX1
2	R14210200	1	INNER DOOR PANEL UNTIL CRXXXXXX0
	R14214210	1	INNER DOOR PANEL FROM CRXXXXXX1
3	R71201650	1	INNER DOOR GLASS
4	R69180000	1	DOOR DRIP TRAY DRAINAGE FROM CRXXXXXX1
5	R58001760	2	INNER GLASS SOLID HINGE
6	R58001770	2	INNER GLASS HINGE PIN
7	R58001780	2	INNER GLASS CATCH KIT
8	R11401340	1	TOP "C" PROFILE
9	R11401360	1	LOWER "C" PROFILE
10	R11207250	1	LOWER DOOR HINGE UNTIL CRXXXXXX0
	R11207240	1	LOWER DOOR HINGE FROM CRXXXXXX1
11	R58002520	1	LOWER HINGE PIN UNTIL CRXXXXXX0
	R58002670	1	LOWER HINGE PIN FROM CRXXXXXX1
12	R11200560	1	UPPER DOOR HINGE
13	R58002150	1	HINGE PIN
14	R58004050	2	NUT FOR UPPER DOOR HINGE
15	R10401710	1	WASHER FOR UPPER DOOR HINGE

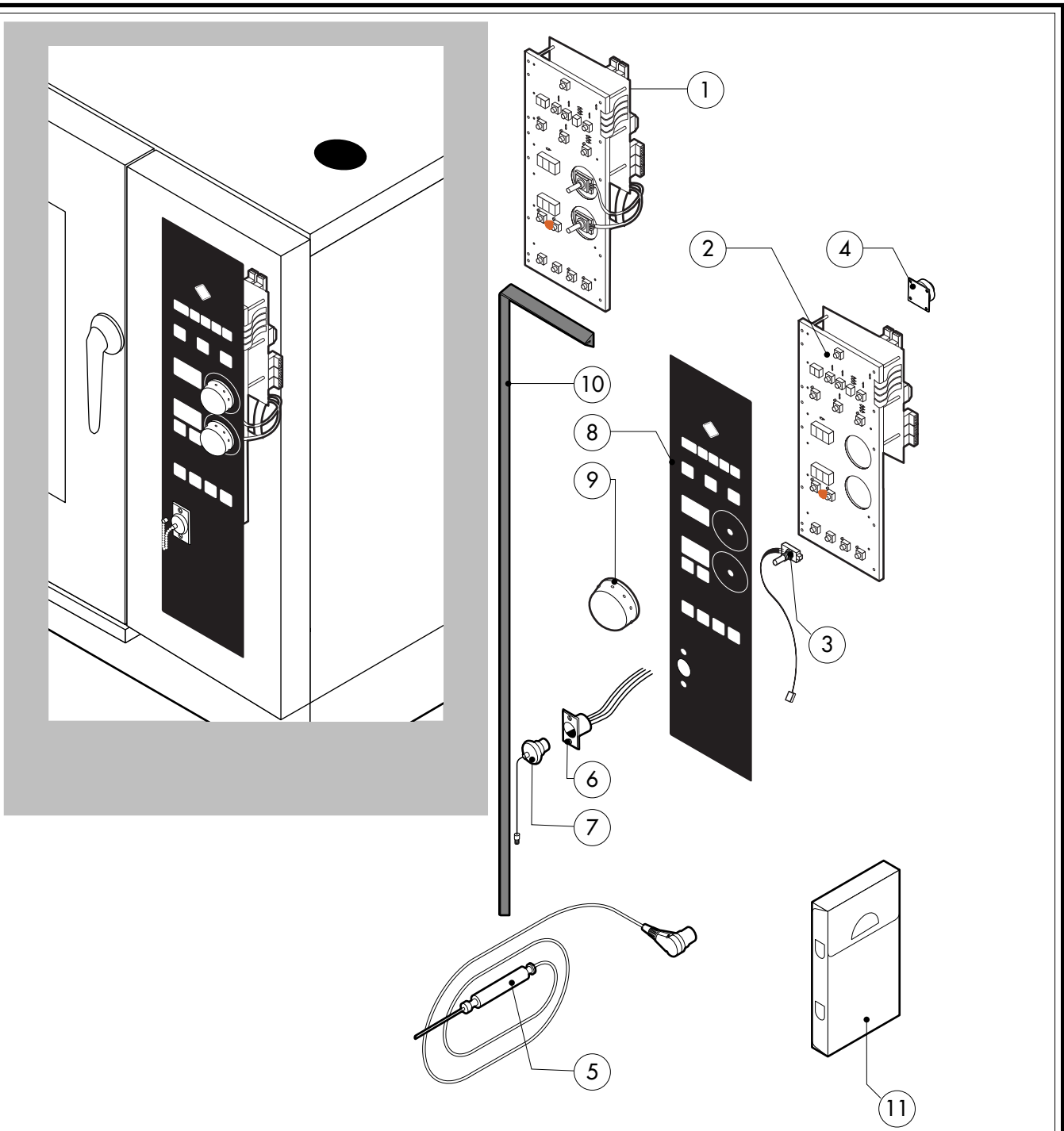
POS.	CODE	PIECES	DESCRIPTION
16	R70050100	6	GLASS SILICON SPACERS
17	R70042760	1	GLASS GASKET
18	R66110310	1	DOOR LAMPS CABLE SET
19	R11401440	1	LAMP COVER
20	R71500150	1	GLASS LAMP
21	R70044200	1	LAMP GASKET
22	R11401450	1	GLASS HOLDER LAMP FLANGE
23	R65270020	1	LIGHT 20W 12V G4
24	R65270450	1	LIGHT SOCKET
25	R65260750	1	LAMPS CONTACT BLOCK
26	R66110300	1	LAMPS CONTACT CABLE SET
27	R11100300	1	DOOR HANDLE ASSEMBLY
28	R69010260	1	DOOR LATCH 1 STEP
29	R69010270	1	DOOR LATCH 2 STEP
30	R69010250	1	DOOR CATCH KIT
31	R69010630	1	INNER DOOR CATCH PLASTIC COVER
32	R61620132	1	PRONG FLANGE



POS.	CODE	PIECES	DESCRIPTION
1	R58003860	1	MOTOR GASKET BRASS FLANGE
2	R58003870	1	MOTOR GASKET BRASS COUNTER FLANGE
3	R58004020	1	FAN SECURITY NUT M10 SX
4	R61400052	1	FAN WASHER Ø 21/10.5
5	*R65040431	1	MOTOR 0.37/0.05 KW KIT
6	R65060050	2	COMPONENTS VENTILATION MOTOR Ø 120
7	R65070350	1	CHAMBER SAFETY THERMOSTAT
8	R65095000	1	DAMPER SYSTEM
9	R65110200	1	SOLENOID VALVE 220V 50HZ
10	R65110230	1	SOLENOID VALVE 220V 50HZ
11	R65110500	1	10 LT/H WATER FLOW REDUCER
12	*R65140550	7	CONTACTOR DIL 00 M-01 4KW
13	*R65160300	1	THERMIC PROTECTION T12-2115-0.8A
14	*R65160320	1	THERMIC PROTECTION T12-2115-2A
15	*R65140610	1	AUX CONTACT 1L+1R 11 DIL M 4KW
16	R65180420	2	TRANSFORMER 20VA
17	*R65190180	1	CAPACITOR 10 µF
18	R65200086	2	FUSE 0.125A (T)
19	R65200200	1	FUSE 2A

POS.	CODE	PIECES	DESCRIPTION
20	R65210020	3	FUSE CARRIER
21	R65220090	1	TERMINAL BOARD
22	R65265100	1	DOOR SWITCH
23	*R65280200	3	INTERFERENCE SUPPRESSOR
24	*R65280450	1	FERRITE
25	R65325000	2	PROBE PT100
26	R70020040	1	MOTOR GASKET
27	*R75400400	1	FAN Ø 220x78/12 50HZ P.D. KIT

*COMPONENT SUBMITTED TO CHANGEMENTS CAUSED BY TENSION DIFFERENT FROM THE STANDARD (3N AC400V 50HZ)



POS.	CODE	PIECES	DESCRIPTION
1	R65301400	1	CONTROL PANEL P.C. BOARD
2	R65301370	1	FRONT+RELAY PC BOARD "H-P" MOD
3	R65301450	2	FRONT PC BOARD ENCODER
4	R65301440	1	PC BOARD BUZZER
5	R65321120	1	CORE TEMPERATURE PROBE
6	R65320920	1	CORE TEMPERATURE PROBE FEMALE CONNECTOR
7	R65321020	1	COVER FOR FEMALE CONNECTOR
8	R67013140	1	PLATE
9	R69030260	2	KNOB
10	R70042910	1	CONTROL PANEL GASKET
11	R86020420	1	CORE TEMPERATURE PROBE BOX

POS.	CODE	PIECES	DESCRIPTION