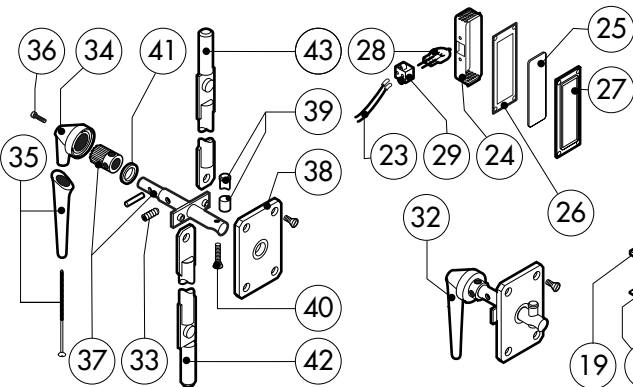
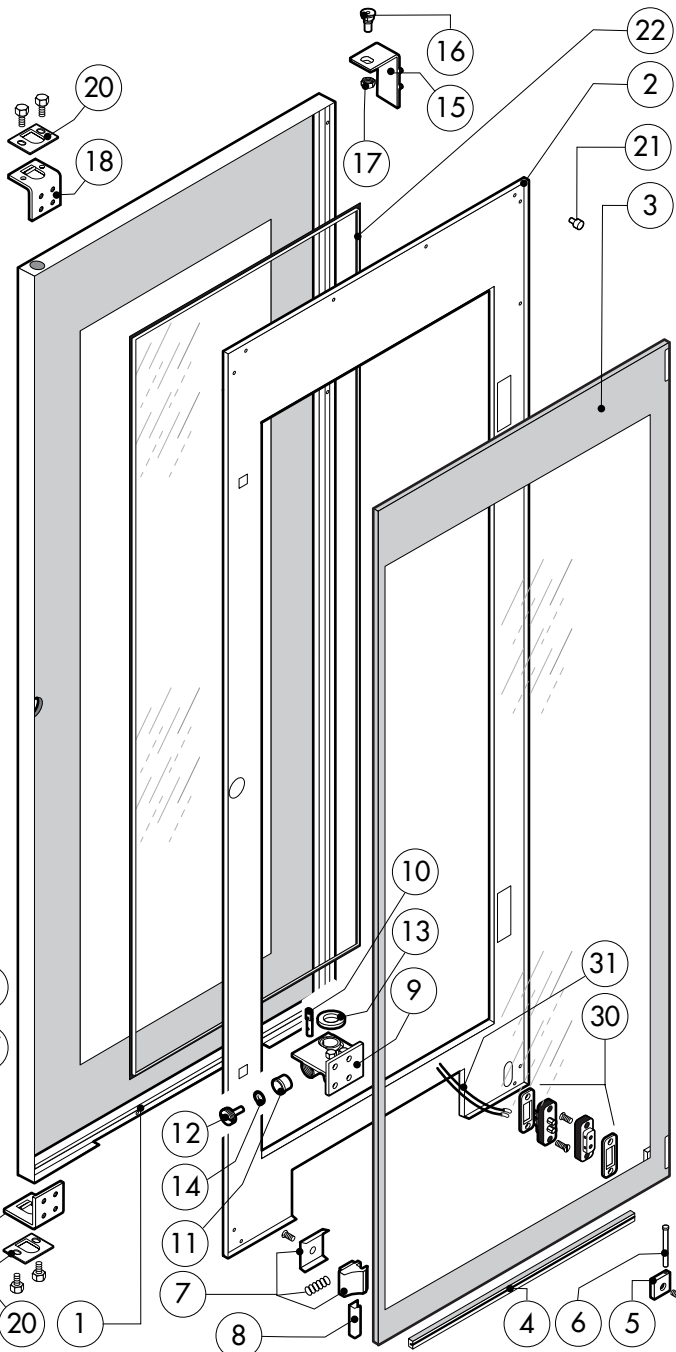
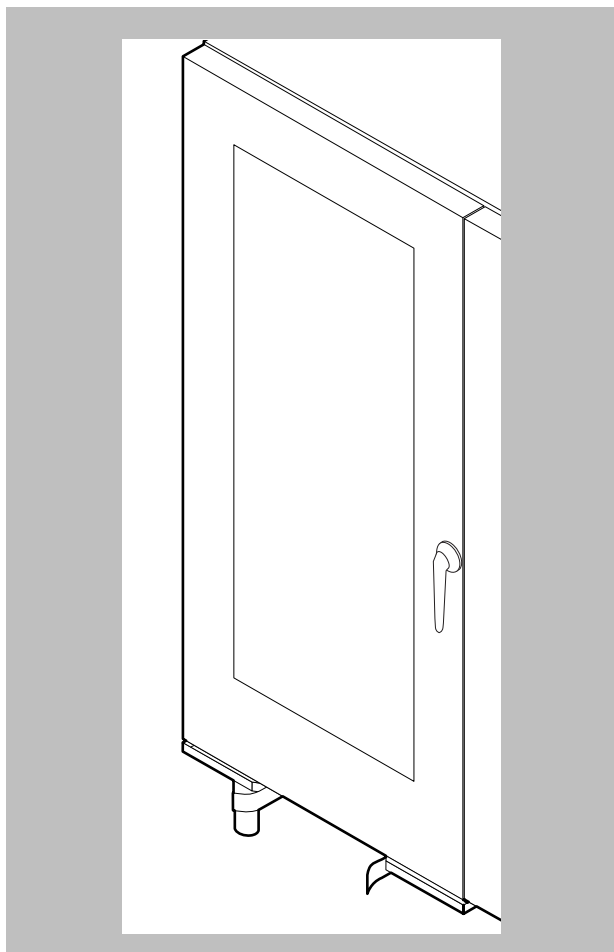


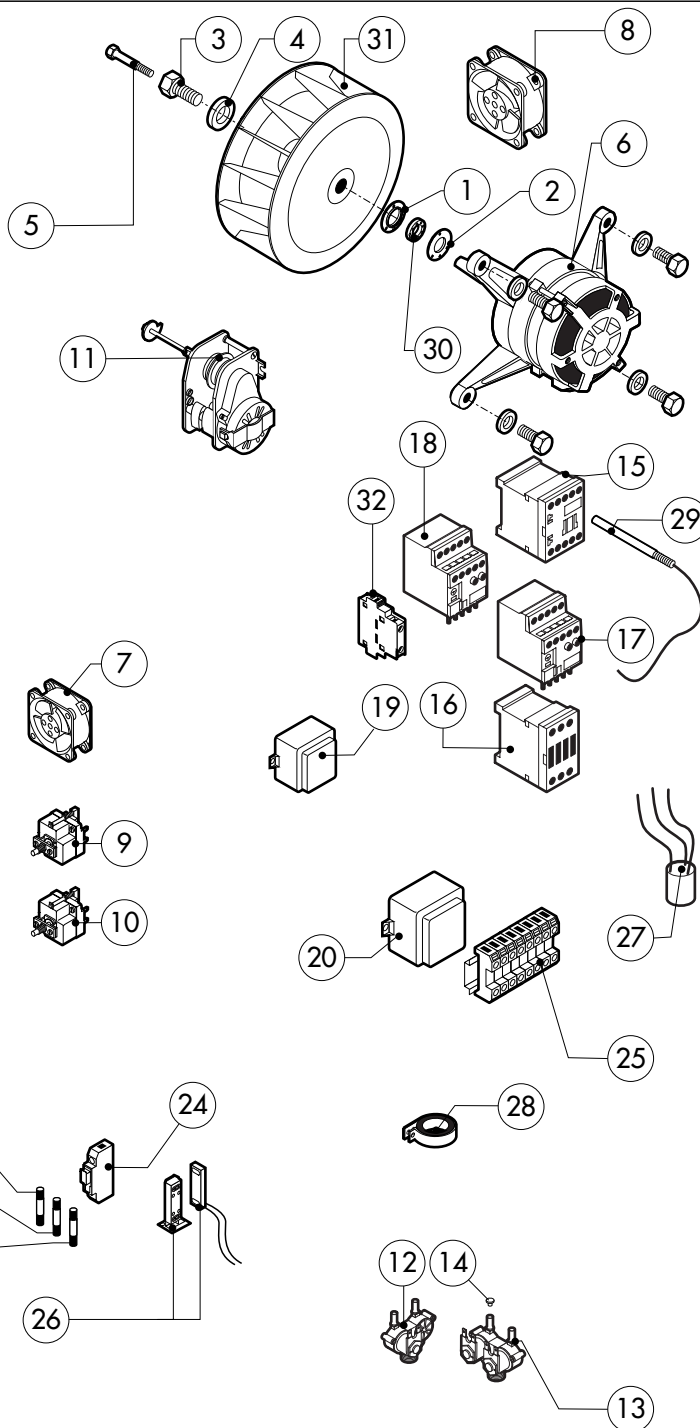
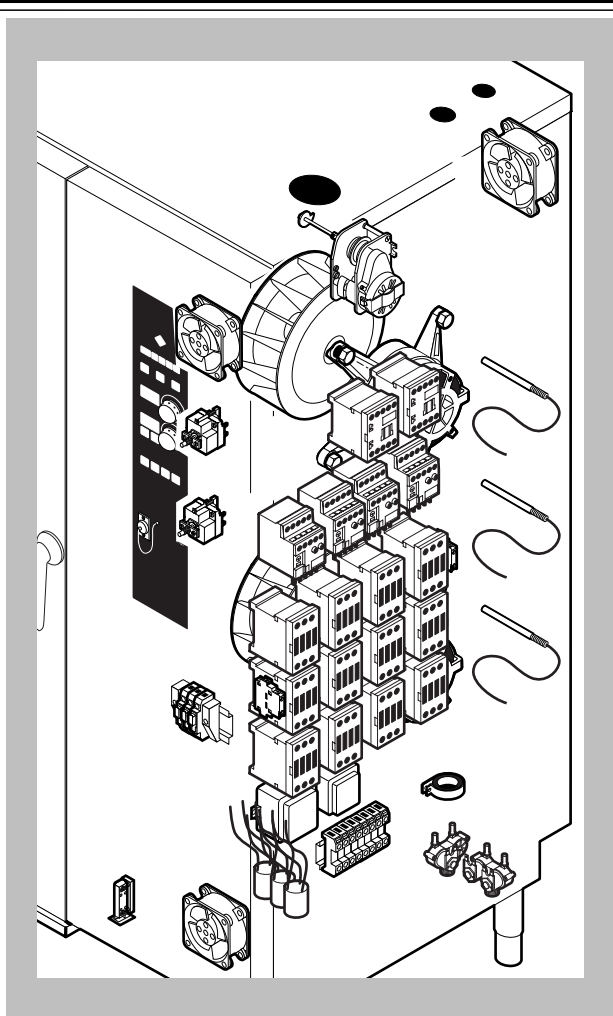
POS.	CODE	PIECES	DESCRIPTION
1	R11100121	1	DOOR ASSEMBLY
2	R11206071	1	CONTROL PANEL
3	R11201970	1	SPRITZER EXTENSION
4	R11200380	1	SPRITZER UNION
5	R11206040	1	COOKING CABINET ASSEMBLY
6	R11206170	1	WASHING SYSTEM COOKING CABINET ASSEMBLY
7	R11203150	1	TOP FAN GUARD PANEL ASSEMBLY
8	R11206100	1	LOWER FAN GUARD PANEL ASSEMBLY
9	R11206141	1	RIGHT SIDE PANEL
10	R11206131	1	LEFT SIDE PANEL
11	R11412130	1	REAR PANEL
12	R11412650	1	BACK COOLING BOX
13	R11206110	1	COVER PANEL
14	R58003100	4	FAN GUARD FASTENING SCREW
15	R70044140	1	FRONT GASKET
16	R75300090	2	FAN GUARD GRID Ø 350
17	R69070020	4	FOOT 1"1/2x130
18	R69090090	2	WHEEL
19	R69090100	2	WHEEL WITH BRAKE

POS.	CODE	PIECES	DESCRIPTION
20	R10457840	1	HANDLE FOR TROLLEY
21	R11206490	1	TRAY FOR TROLLEY



POS.	CODE	PIECES	DESCRIPTION
1	R11100181	1	DOOR
2	R11205361	1	INNER DOOR PANEL
3	R11100150	1	INNER DOOR GLASS
4	R70044300	1	GASKET FOR TROLLEY(0,7MT)
5	R58001760	2	INNER GLASS SOLID HINGE
6	R58001770	2	INNER GLASS HINGE PIN
7	R58001780	2	INNER GLASS CATCH KIT
8	R11411860	2	"C" PROFILE
9	R11205390	1	LOWER DOOR HINGE WITH RETAINER
10	R58002540	1	DOOR PIVOT SUNK KEY
11	R58002550	1	DOOR RETAINER GUIDE SHOE
12	R58002560	1	SCREW FOR LOWER DOOR HINGE
13	R58002570	1	WASHER Ø 30/15x3
14	R61620091	16	BELLEVILLE WASHER Ø 14/6.4
15	R11200560	1	UPPER DOOR HINGE
16	R58002150	1	HINGE PIN
17	R58004050	1	NUT FOR UPPER DOOR HINGE
18	R11411520	1	UPPER SQUARE FOR DOOR ROD
19	R11205400	1	LOWER SQUARE FOR DOOR ROD
20	R10207680	2	DOOR ROD ADJUSTABLE PLATE
21	R70050100	9	GLASS SILICON SPACERS
22	R70044160	1	GLASS GASKET (3,72MT)

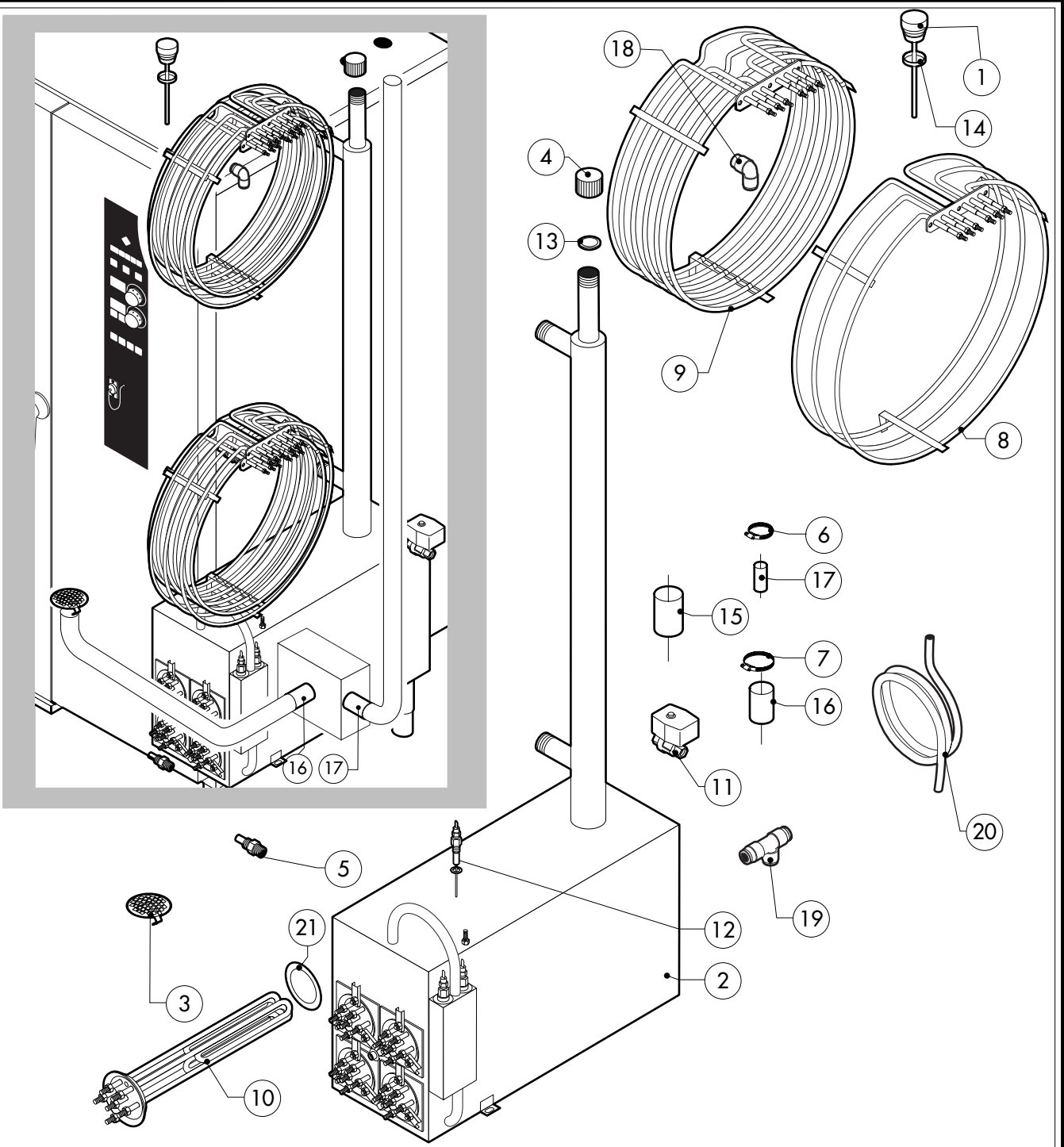
POS.	CODE	PIECES	DESCRIPTION
23	R66110330	1	DOOR LAMPS CABLE SET
24	R11401440	2	LAMP COVER
25	R71500150	2	GLASS LAMP
26	R70044200	2	GLASS LAMP
27	R11401450	2	GLASS HOLDER LAMP FLANGE
28	R65270020	2	LIGHT 20W 12V G4
29	R65270450	2	LIGHT SOCKET
30	R65260750	1	LAMPS CONTACT BLOCK
31	R66110300	1	LAMPS CONTACT CABLE SET
32	R11100310	1	DOOR HANDLE ASSEMBLY
33	R61090052	1	COMPLETE DOOR HANDLE ASSEMBLY
34	R69010600	1	DOOR HANDLE
35	R69010610	1	HANDLE
36	R61030601	1	CYLINDRICAL HEAD SCREW
37	R11205340	1	DOOR HANDLE PIN
38	R03200970	1	DOOR LOCK REAR FLANGE
39	R58004781	1	DOOR HANDLE HOOK
40	R61040272	1	DOOR HANDLE HOOK SCREW
41	R61420021	1	ELASTIC WASHER
42	R11205381	2	LOWER DOOR ROD
43	R11205370	1	UPPER DOOR ROD



POS.	CODE	PIECES	DESCRIPTION
1	R58003840	2	MOTOR GASKET BRASS FLANGE
2	R58003850	2	MOTOR GASKET BRASS COUNTER FLANGE
3	R58004000	2	FAN SCREW M12x1.5 SX
4	R58004010	2	FAN WASHER Ø 30/12.5
5	R61020562	2	FAN SCREW TE A2 M6x55
6	*R65040051	2	MOTOR HP 1/0.3 KIT
7	R65060050	2	COMPONENTS VENTILATION MOTOR Ø 120
8	R65060060	1	COMPONENTS VENTILATION MOTOR Ø 150
9	R65070350	1	CHAMBER SAFETY THERMOSTAT
10	R65070081	1	STEAM GENERATOR SAFETY THERMOSTAT
11	R65095000	1	DAMPER SYSTEM
12	R65110210	1	SOLENOID VALVE 220V 50HZ
13	R65110230	1	SOLENOID VALVE 220V 50HZ WITH FLOW REDUCER
14	R65110500	1	10 LT/H WATER FLOW REDUCER
15	*R65140380	4	CONTACTOR 3RT1016-1AP02 240V
16	*R65140400	12	CONTACTOR 3RT1025-1AL20 240V
17	*R65160570	2	THERMIC PROTECTION 3RU1116-0JB0 0,7-1A
18	*R65160580	2	THERMIC PROTECTION 3RU1116-1CB0 1,8-2,5A
19	R65180420	1	TRANSFORMER 20VA

POS.	CODE	PIECES	DESCRIPTION
20	R65180430	1	TRANSFORMER 40VA
21	R65200086	1	FUSE 0.125A (T)
22	R65200200	1	FUSE 2A
23	R65200110	1	FUSE 0.25A (T)
24	R65210020	3	FUSE CARRIER
25	R65220130	1	TERMINAL BOARD
26	R65265100	1	DOOR SWITCH
27	*R65280200	3	INTERFERENCE SUPPRESSOR
28	*R65280450	1	FERRITE
29	R65325000	3	PROBE PT100
30	R70020050	2	MOTOR GASKET
31	R75400440	2	FAN Ø 350x114/12 50HZ P.D. KIT
32	*R65140430	2	AUX.CONTACT 1L+1R 3RH1921-1FA11

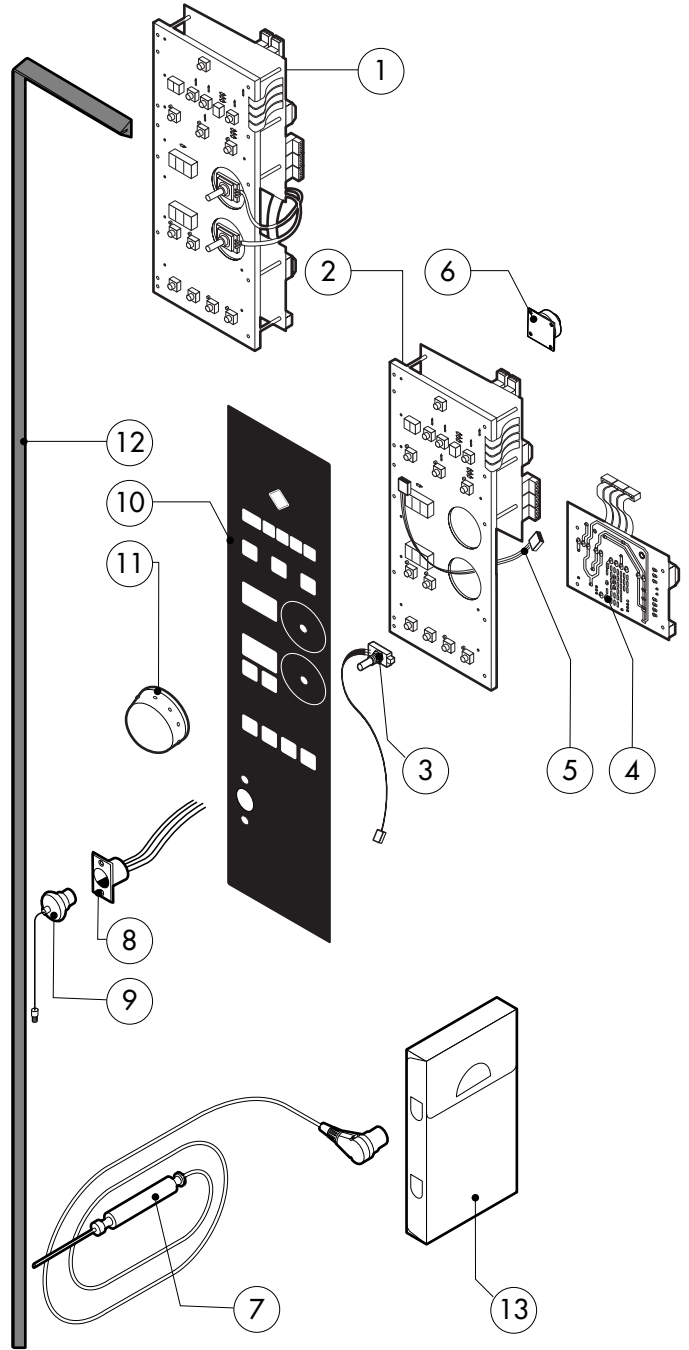
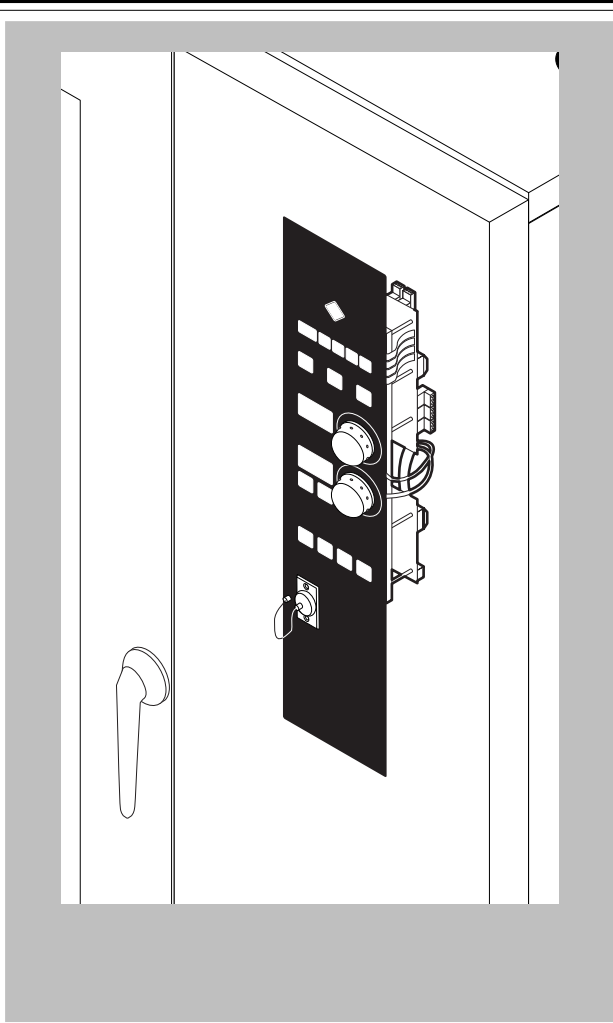
\*COMPONENT SUBMITTED TO CHANGEMENTS CAUSED BY TENSION DIFFERENT FROM THE STANDARD (3N AC400V 50HZ)



POS.	CODE	PIECES	DESCRIPTION
1	R11100270	1	DAMPER SYSTEM CAP
2	R11100490	1	STEAM GENERATOR ASSEMBLY
3	R10201710	1	DRAIN FILTER
4	R58005680	1	STEAM GENERATOR DESCALING CAP 1"1/4 F
5	R58006140	2	STEAM QUENCHING NOZZLE Ø 1,5
6	R61630011	2	METAL CLAMPS 12-22/9
7	R61630031	6	METAL CLAMPS 40-60/9
8	*R65011250	2	CHAMBER HEATING ELEMENT 15000W
9	*R65011310	2	CHAMBER HEATING ELEMENT 15000W
10	*R65020420	4	STEAM GENERATOR HEATING ELEMENT 15000W
11	R65110560	1	STEAM GENERATOR DRAIN MOTORIZED VALVE
12	R65320010	2	STEAM GENERATOR LEVEL PROBE
13	R70050040	1	STEAM GENERATOR CAP GASKET
14	R70060100	1	DAMPER SYSTEM CAP GASKET
15	R70060050	1	SILICON COUPLING Ø 60
16	R70060040	2	SILICON COUPLING Ø 50
17	R70060080	1	SILICON COUPLING Ø 13
18	R62090478	10	ELBOW MIDLING PIPE FITTING D.10
19	R62090468	1	"T" MIDLING PIPE FITTING D.10

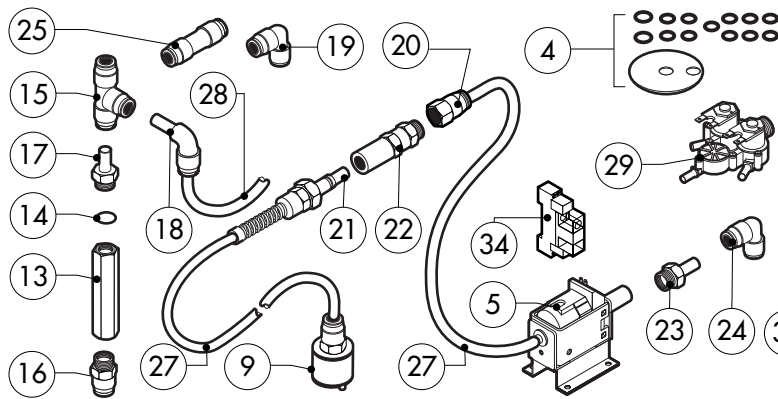
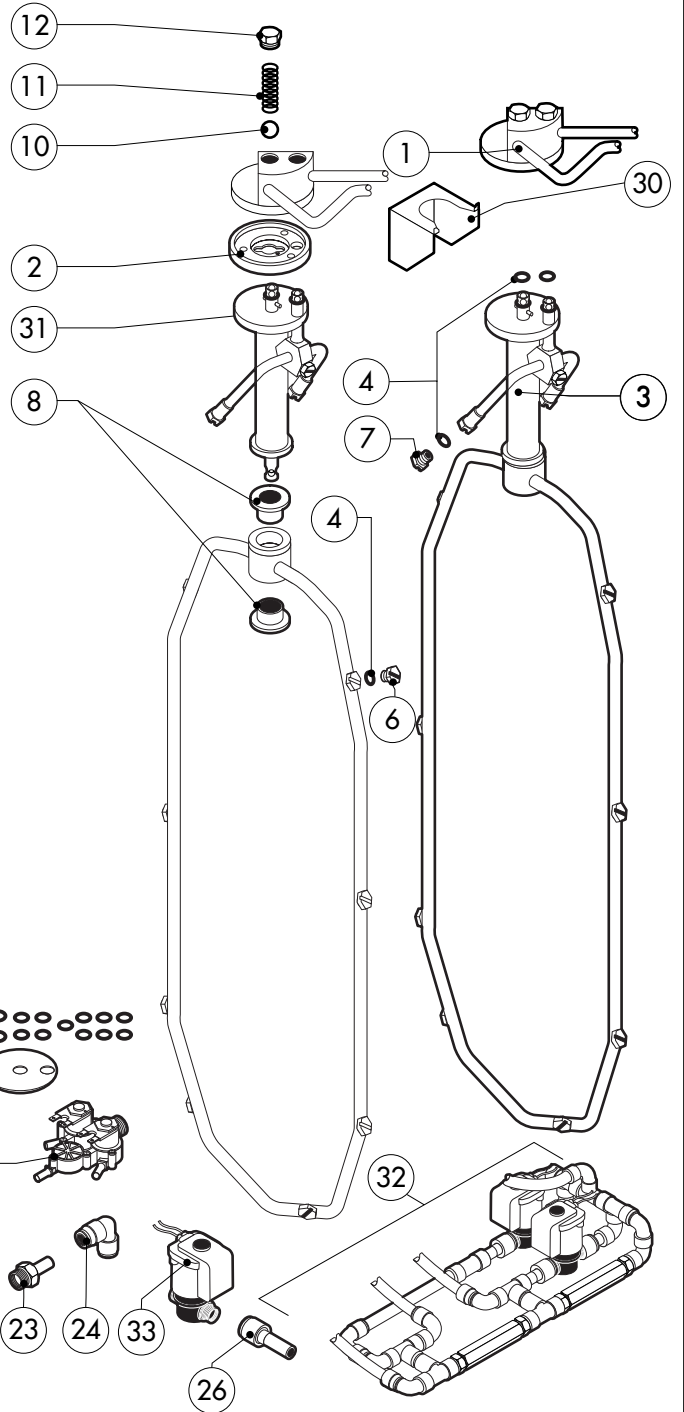
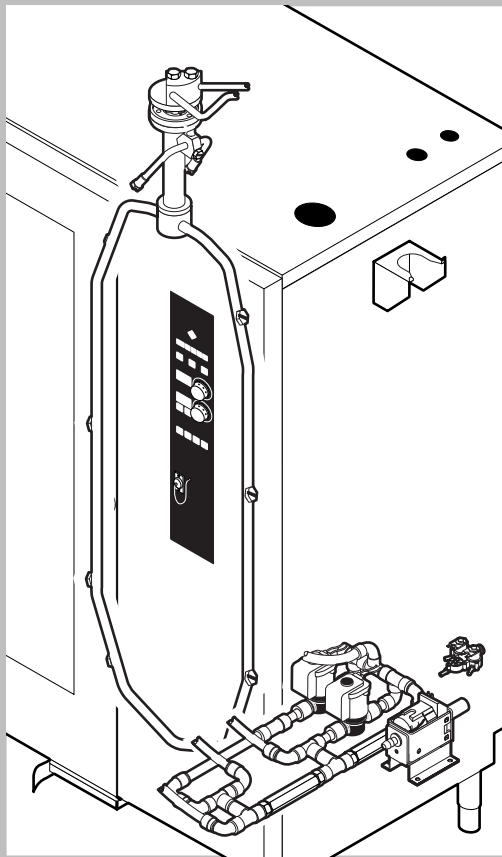
POS.	CODE	PIECES	DESCRIPTION
20	R70070050	1	PE D.10 MM X7 WATER FLEXIBLE PIPE (3 MT LONG)
21	R70045010	4	STEAM GENERATOR HEATING ELEMENT GASKET

\*COMPONENT SUBMITTED TO CHANGEMENTS CAUSED BY TENSION DIFFERENT FROM THE STANDARD (3N AC400V 50HZ)



POS.	CODE	PIECES	DESCRIPTION
1	R65301390	1	CONTROL PANEL P.C. BOARD
2	R65301370	1	FRONT+RELAY PC BOARD "H-P" MOD
3	R65301450	2	FRONT PC BOARD ENCODER
4	R65301480	1	BOILER CONTROL PC BOARD "H-P" MOD
5	R65301470	1	PC BOARD FLAT CABLE
6	R65301440	1	PC BOARD BUZZER
7	R65321120	1	CORE TEMPERATURE PROBE
8	R65320920	1	CORE TEMPERATURE PROBE FEMALE CONNECTOR
9	R65321020	1	COVER FOR FEMALE CONNECTOR
10	R67013140	1	PLATE
11	R69030260	2	KNOB
12	R70044290	1	CONTROL PANEL GASKET (2,21 MT LONG)
13	R86020420	1	CORE TEMPERATURE PROBE BOX

POS.	CODE	PIECES	DESCRIPTION



POS.	CODE	PIECES	DESCRIPTION
1	R11206211	1	WASHING SYSTEM EXTERNAL ASSEMBLY
2	R58004960	1	WASHING SYSTEM INNER FLANGE
3	R11100540	1	WASHING DEVICE ASSEMBLY
4	R70045110	1	GASKETS KIT
5	R65110600	1	DETRGENT PUMP
6	R62210032	8	1,3 L/MIN RINSING JET
7	R62210042	3	0,56 L/MIN DETERGENT JET
8	R58004980	2	WASHING DEVICE ROTATION BUSH
9	R65110650	1	BOTTOM FILTER
10	R62220012	2	SPHERA D.14
11	R61620041	2	SPRING
12	R58005000	2	1/2" MALE COVER
13	R65110640	2	ANTI-BACK FLOW
14	R70010050	4	OR GASKETS
15	R62090468	5	"T" MIDLING PIPE FITTING D.10
16	R62090508	1	10X1/4 STRAIGHT THREADED TERMINAL PIPE FITTING
17	R62090518	3	10X1/4 END SIDE PIPE FITTING (WITH TANG)
18	R62090528	10	ELBOW PIPE FITTING (WITH TANG) 10 X 10
19	R62090478	4	ELBOW MIDLING PIPE FITTING D.10

POS.	CODE	PIECES	DESCRIPTION
20	R62090538	1	1/4" FEMALE STRAIGHT PIPE FITTING FOR D.8X6 PIPE
21	R62090482	1	RAPID MALE PIPE FITTING
22	R62090492	1	RAPID FEMALE PIPE FITTING
23	R62090608	2	8X1/8 END SIDE PIPE FITTING (WITH TANG)
24	R62090628	1	10-8 ELBOW REDUCTION
25	R62090458	2	STRAIGHT MIDLING PIPE FITTING D.10
26	R62090548	4	10-6 REDUCTION PIPE FITTING
27	R70070100	1	PE D.8 MM X 6 DETERGENT FLEXIBLE PIPE
28	R70070040	1	PE D.10 MM X7 WATER FLEXIBLE PIPE (4 MT LONG)
29	R65110240	1	SOLENOID VALVE 220V 50HZ WITH FLOW REDUCER
30	R11402000	1	WASHING DEVICE EXTERNAL HOLDER
31	R11100550	1	TUBE DEVICE SUPPORT WASHING
32	R62300038	1	ANTI-BACK FLOW DEVICE ASSEMBLY
33	R65110260	2	SOLENOID VALVE D.6 220V 50HZ
34	R65170050	2	RELAY 4052 240V AC 10A