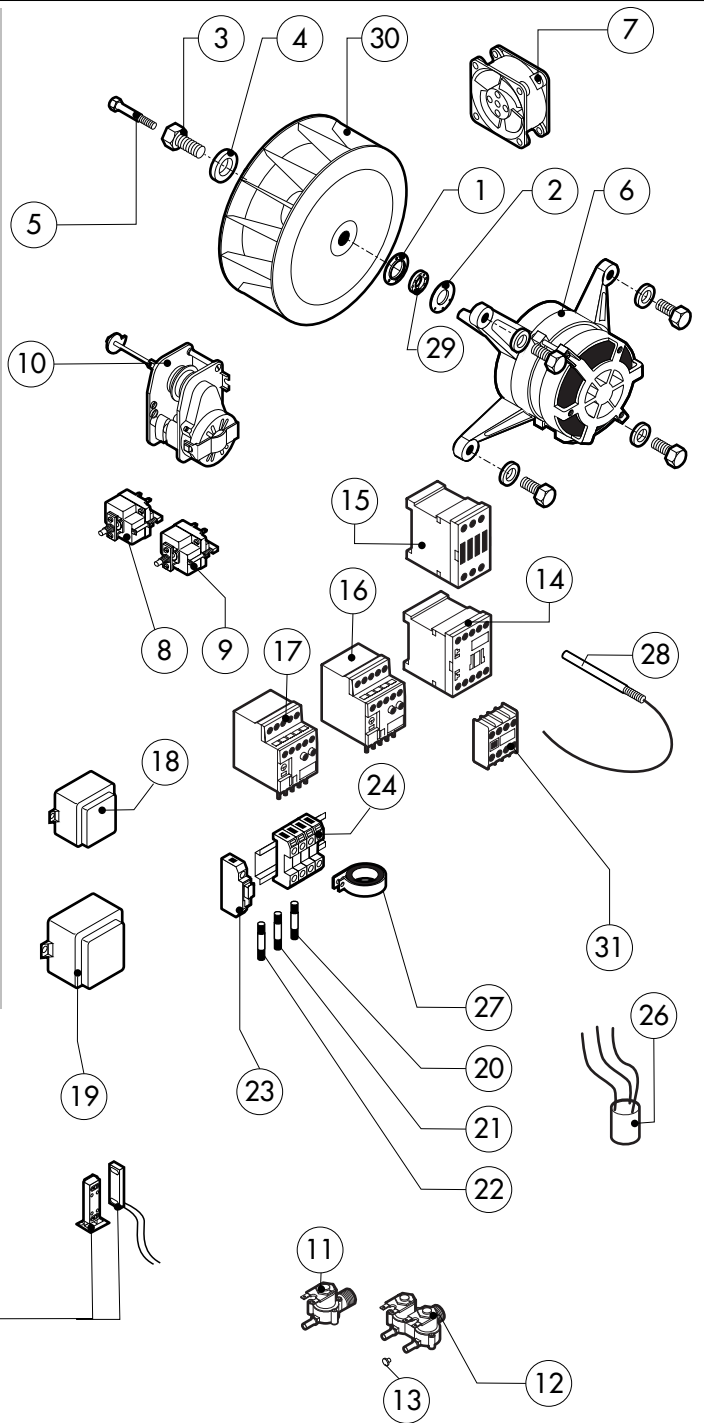
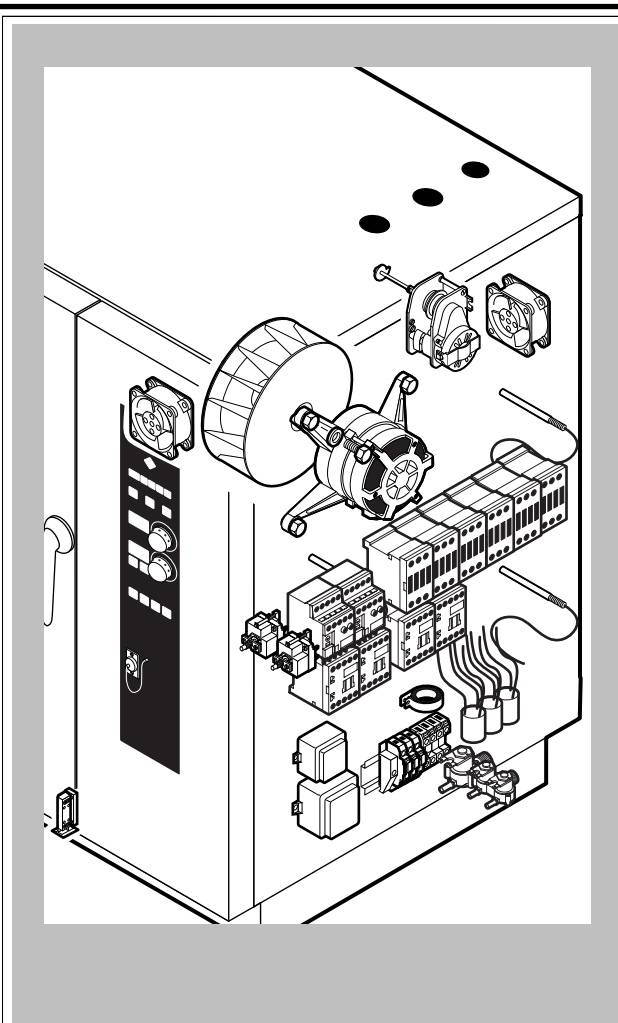


POS.	CODE	PIECES	DESCRIPTION
1	R11101360	1	DOOR UNTIL CRXXXXXX0
	R11101450	1	DOOR FROM CRXXXXXX1
2	R11207360	1	INNER DOOR PANEL UNTIL CRXXXXXX0
	R11202160	1	INNER DOOR PANEL FROM CRXXXXXX1
3	R11100140	1	INNER DOOR GLASS
4	R69180000	1	DOOR DRIP TRAY DRAINAGE FROM CRXXXXXX1
5	R58001760	2	INNER GLASS SOLID HINGE
6	R58001770	2	INNER GLASS HINGE PIN
7	R58001780	2	INNER GLASS CATCH KIT
8	R11401340	1	TOP "C" PROFILE
9	R11401360	1	LOWER "C" PROFILE
10	R11207250	1	LOWER DOOR HINGE UNTIL CRXXXXXX0
	R11207240	1	LOWER DOOR HINGE FROM CRXXXXXX1
11	R58002520	1	LOWER HINGE PIN UNTIL CRXXXXXX0
	R58002670	1	LOWER HINGE PIN FROM CRXXXXXX1
12	R11200560	1	UPPER DOOR HINGE
13	R58002150	1	HINGE PIN
14	R58004050	2	NUT FOR UPPER DOOR HINGE
15	R10401710	1	WASHER FOR UPPER DOOR HINGE

POS.	CODE	PIECES	DESCRIPTION
16	R70050100	6	GLASS SILICON SPACERS
17	R70044150	1	GLASS GASKET
18	R66110320	1	DOOR LAMPS CABLE SET
19	R11401440	2	LAMP COVER
20	R71500150	2	GLASS LAMP
21	R70044200	2	LAMP GASKET
22	R11401450	2	GLASS HOLDER LAMP FLANGE
23	R65270020	2	LIGHT 20W 12V G4
24	R65270450	2	LIGHT SOCKET
25	R65260750	1	LAMPS CONTACT BLOCK
26	R66110300	1	LAMPS CONTACT CABLE SET
27	R11100300	1	DOOR HANDLE ASSEMBLY
28	R69010260	1	DOOR LATCH 1 STEP
29	R69010270	1	DOOR LATCH 2 STEP
30	R69010250	1	DOOR CATCH KIT
31	R69010630	1	INNER DOOR CATCH PLASTIC COVER
32	R61620132	1	PRONG FLANGE



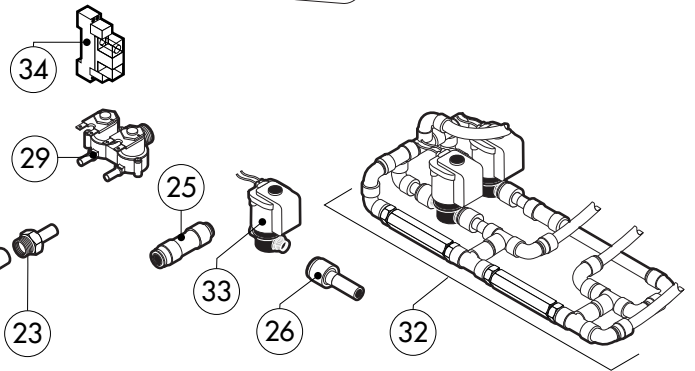
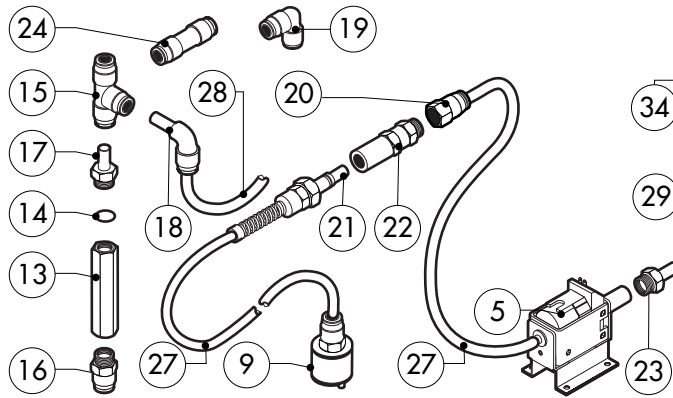
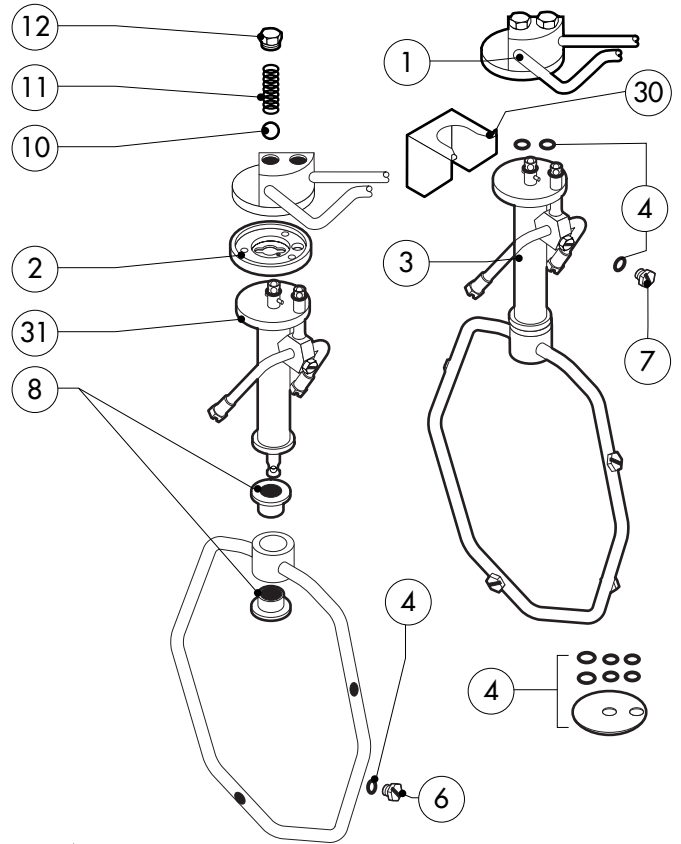
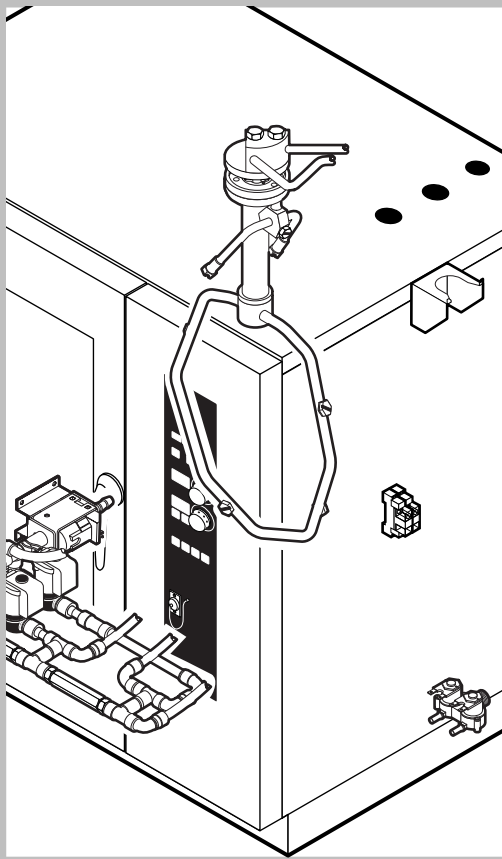
POS.	CODE	PIECES	DESCRIPTION
1	R58003840	1	MOTOR GASKET BRASS FLANGE
2	R58003850	1	MOTOR GASKET BRASS COUNTER FLANGE
3	R58004000	1	FAN SCREW M12x1.5 SX
4	R58004010	1	FAN WASHER Ø 30/12.5
5	R61020562	1	FAN SCREW TE A2 M6x55
6	*R65040051	1	MOTOR HP 1/0.3 KIT UNTIL Nn3705
	*R65040520	1	MOTOR KW 055/015 KIT FROM Nn3805
7	R65060050	2	COMPONENTS VENTILATION MOTOR Ø 120
8	R65070350	1	CHAMBER SAFETY THERMOSTAT
9	R65070081	1	STEAM GENERATOR SAFETY THERMOSTAT
10	R65095000	1	DAMPER SYSTEM
11	R65110200	1	SOLENOID VALVE 220V 50HZ
12	R65110210	1	SOLENOID VALVE 220V 50HZ
13	R65110510	1	15 LT/H WATER FLOW REDUCER
14	*R65140380	4	CONTACTOR 3RT1016-1AP02 240V
15	*R65140400	6	CONTACTOR 3RT1025-1AL20 240V
16	*R65160570	1	THERMIC PROTECTION 3RU1116-0JB0 0,7-1A
17	*R65160580	1	THERMIC PROTECTION 3RU1116-1CB0 1,8-2,5A UNTIL Nn3705
	*R65160620	1	THERMIC PROTECTION 3RU1116-1BB0 1,4-2,0A FROM Nn3805

POS.	CODE	PIECES	DESCRIPTION
18	R65180420	1	TRANSFORMER 20VA
19	R65180430	1	TRANSFORMER 40VA
20	R65200086	1	FUSE 0.125A (T)
21	R65200200	1	FUSE 2A
22	R65200110	1	FUSE 0.25A (T)
23	R65210020	3	FUSE CARRIER
24	R65220130	1	TERMINAL BOARD
25	R65265100	1	DOOR SWITCH
26	*R65280200	3	INTERFERENCE SUPPRESSOR
27	*R65280450	1	FERRITE
28	R65325000	3	PROBE PT100
29	R70020050	1	MOTOR GASKET
30	R75400440	1	FAN Ø 350x114/12 50HZ P.D. KIT
31	*R65140430	2	AUX.CONTACT 1L+1R 3RH1921-1FA11

\*COMPONENT SUBMITTED TO CHANGEMENTS CAUSED BY TENSION DIFFERENT FROM THE STANDARD (3N AC400V 50HZ)







POS.	CODE	PIECES	DESCRIPTION
1	R11200901	1	WASHING SYSTEM EXTERNAL ASSEMBLY
2	R58004960	1	WASHING SYSTEM INNER FLANGE
3	R11100520	1	WASHING DEVICE ASSEMBLY
4	R70045100	1	GASKETS KIT
5	R65110600	1	DETRGENT PUMP
6	R62210032	4	1,3 L/MIN RINSING JET
7	R62210042	3	0,56 L/MIN DETERGENT JET
8	R58004980	2	WASHING DEVICE ROTATION BUSH
9	R65110650	1	BOTTOM FILTER
10	R62220012	2	SPHERA D.14
11	R61620041	2	SPRING
12	R58005000	2	1/2" MALE COVER
13	R65110640	2	ANTI-BACK FLOW
14	R70010050	4	OR GASKETS
15	R62090468	5	"T" MIDLING PIPE FITTING D.10
16	R62090508	1	10X1/4 STRAIGHT THREADED TERMINAL PIPE FITTING
17	R62090518	3	10X1/4 END SIDE PIPE FITTING (WITH TANG)
18	R62090528	10	ELBOW PIPE FITTING (WITH TANG) 10 X 10
19	R62090478	4	ELBOW MIDLING PIPE FITTING D.10

POS.	CODE	PIECES	DESCRIPTION
20	R62090538	1	1/4" FEMALE STRAIGHT PIPE FITTING FOR D.8X6 PIPE
21	R62090482	1	RAPID MALE PIPE FITTING
22	R62090492	1	RAPID FEMALE PIPE FITTING
23	R62090608	1	8X1/8 END SIDE PIPE FITTING (WITH TANG)
24	R62090458	1	STRAIGHT MIDLING PIPE FITTING D.10
25	R62090618	1	10-8 REDUCTION PIPE FITTING
26	R62090548	4	10-6 REDUCTION PIPE FITTING
27	R70070100	1	PE D.8 MM X 6 DETERGENT FLEXIBLE PIPE
28	R70070050	1	PE D.10 MM X7 WATER FLEXIBLE PIPE (3 MT LONG)
29	R65110210	1	SOLENOID VALVE 220V 50HZ
30	R11402000	1	WASHING DEVICE EXTERNAL HOLDER
31	R11100550	1	TUBE DEVICE SUPPORT WASHING
32	R62300028	1	ANTI-BACK FLOW DEVICE ASSEMBLY
33	R65110260	2	SOLENOID VALVE D.6 220V 50HZ
34	R65170050	2	RELAY 4052 240V AC 10A