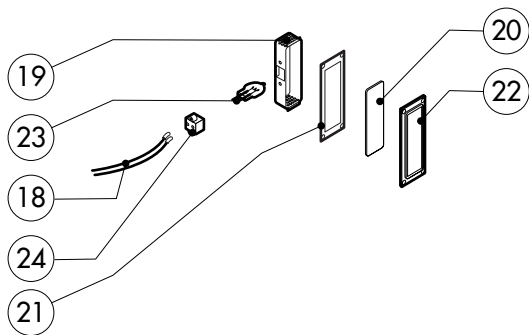
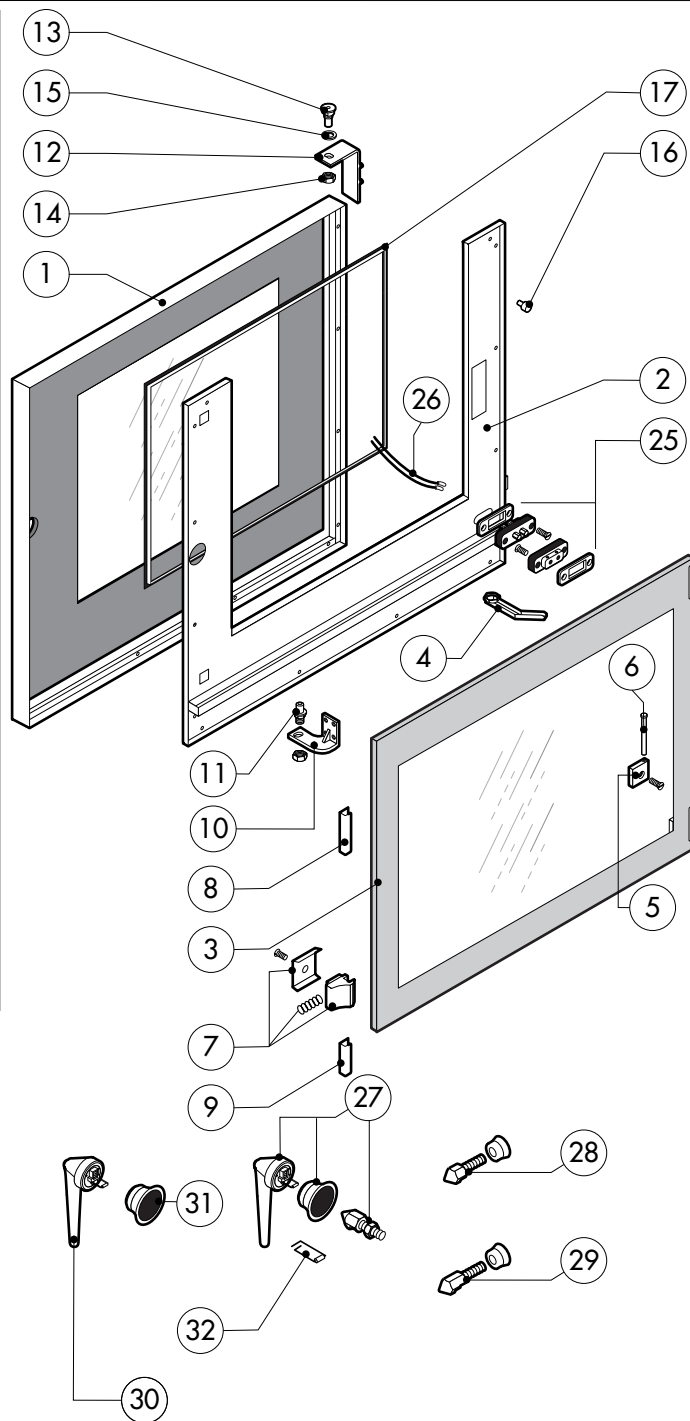
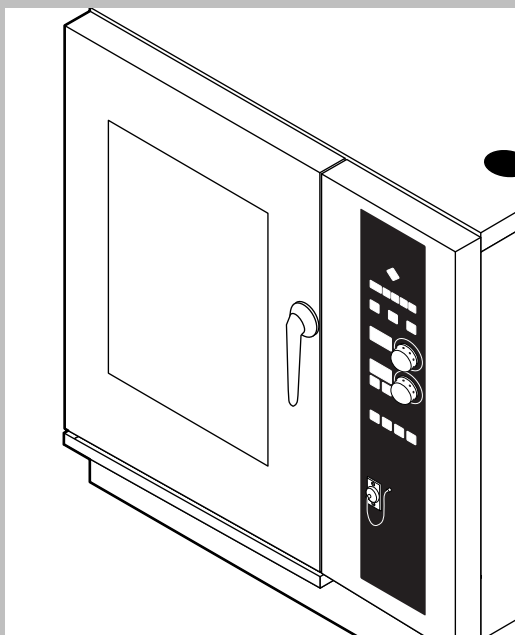


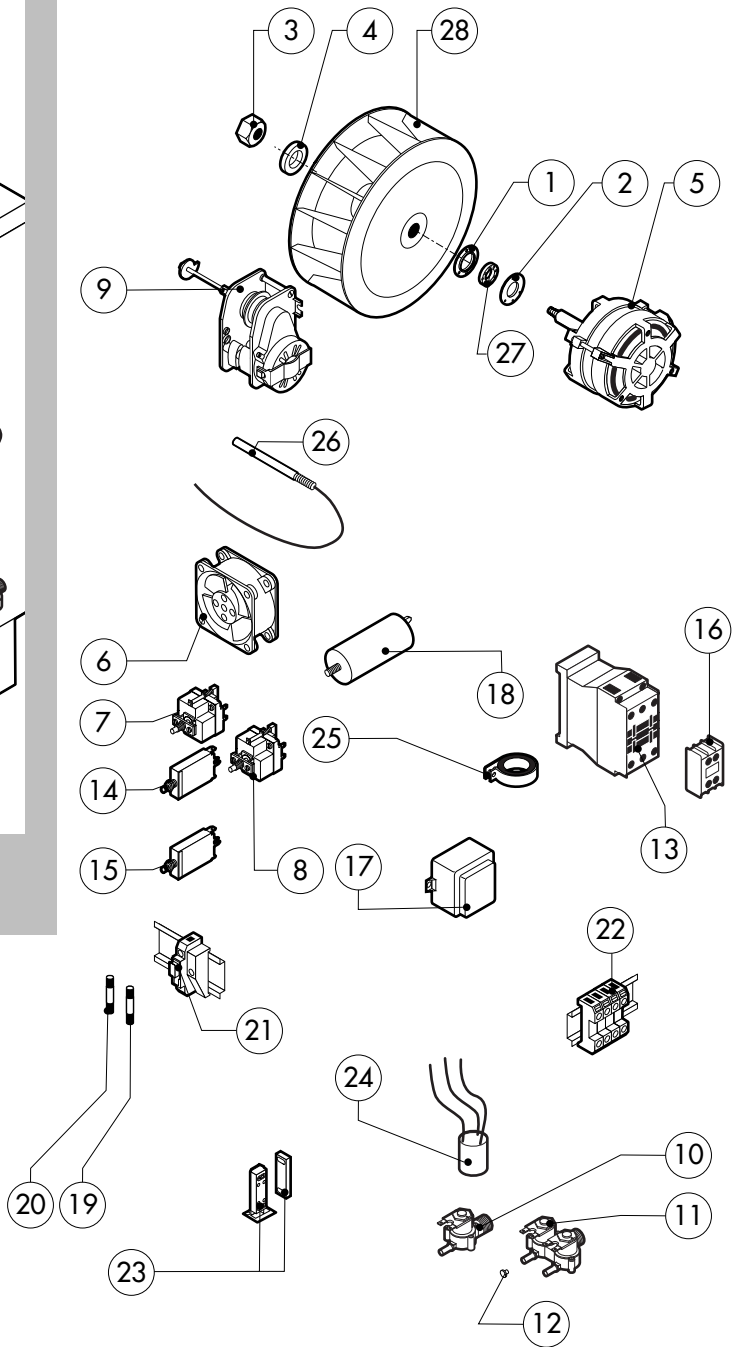
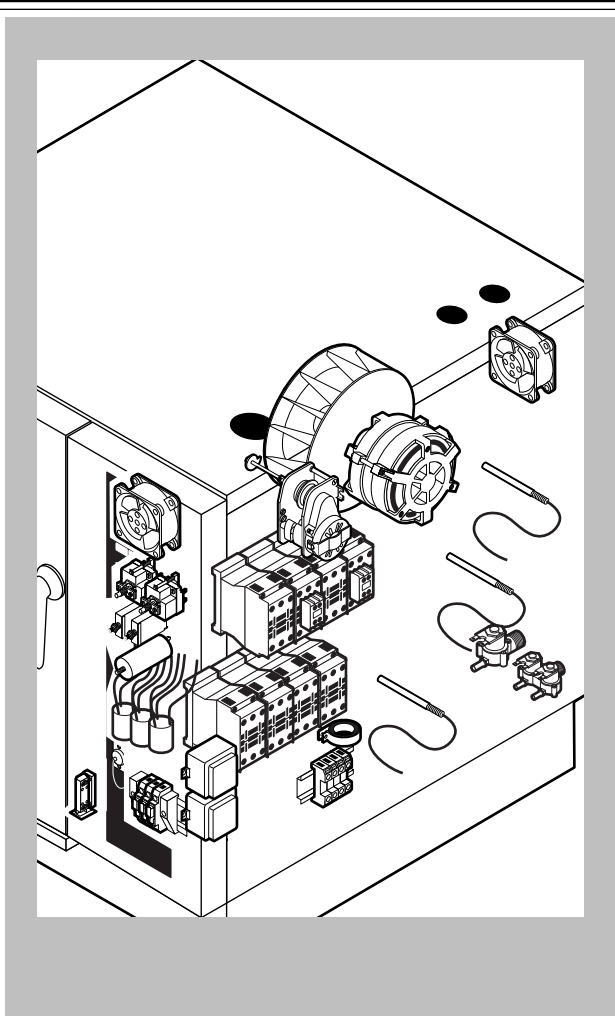
POS.	CODE	PIECES	DESCRIPTION
1	R14102000	1	DOOR ASSEMBLY UNTIL CRXXXXXX0
	R14102010	1	DOOR ASSEMBLY FROM CRXXXXXX1
2	R14210810	1	CONTROL PANEL UNTIL CRXXXXXX0
	R14214360	1	CONTROL PANEL FROM CRXXXXXX1
3	R11200650	1	SPRITZER EXTENSION
4	R11200380	1	SPRITZER UNION
5	R14102100	1	COOKING CABINET ASSEMBLY
6	R14102130	1	WASHING SYSTEM COOKING CABINET ASSEMBLY
	R14210640	1	FAN GUARD PANEL ASSEMBLY
7	R14421010	1	RIGHT SIDE PANEL UNTIL CRXXXXXX0
	R14214250	1	RIGHT SIDE PANEL FROM CRXXXXXX1
8	R14421020	1	LEFT SIDE PANEL UNTIL CRXXXXXX0
	R14214260	1	LEFT SIDE PANEL FROM CRXXXXXX1
9	R14210760	1	REAR PANEL UNTIL CRXXXXXX0
	R14214270	1	REAR PANEL FROM CRXXXXXX1
10	R14210250	1	COVER PANEL UNTIL CRXXXXXX0
	R14214100	1	COVER PANEL FROM CRXXXXXX1
11	R58003100	2	FAN GUARD FASTENING SCREW
12	R70044210	1	FRONT GASKET

POS.	CODE	PIECES	DESCRIPTION
13	R75300020	1	FAN GUARD GRID Ø 120
14	R75300030	1	FAN GUARD GRID Ø 190
15	R14210680	1	REMOVABLE RACK DX
16	R14210690	1	REMOVABLE RACK SX



POS.	CODE	PIECES	DESCRIPTION
1	R14210150	1	DOOR UNTIL CRXXXXXX0
	R14214200	1	DOOR FROM CRXXXXXX1
2	R14210200	1	INNER DOOR PANEL UNTIL CRXXXXXX0
	R14214210	1	INNER DOOR PANEL FROM CRXXXXXX1
3	R71201650	1	INNER DOOR GLASS
4	R69180000	1	DOOR DRIP TRAY DRAINAGE FROM CRXXXXXX1
5	R58001760	2	INNER GLASS SOLID HINGE
6	R58001770	2	INNER GLASS HINGE PIN
7	R58001780	2	INNER GLASS CATCH KIT
8	R11401340	1	TOP "C" PROFILE
9	R11401360	1	LOWER "C" PROFILE
10	R11207250	1	LOWER DOOR HINGE UNTIL CRXXXXXX0
	R11207240	1	LOWER DOOR HINGE FROM CRXXXXXX1
11	R58002520	1	LOWER HINGE PIN UNTIL CRXXXXXX0
	R58002670	1	LOWER HINGE PIN FROM CRXXXXXX1
12	R11200560	1	UPPER DOOR HINGE
13	R58002150	1	HINGE PIN
14	R58004050	2	NUT FOR UPPER DOOR HINGE
15	R10401710	1	WASHER FOR UPPER DOOR HINGE

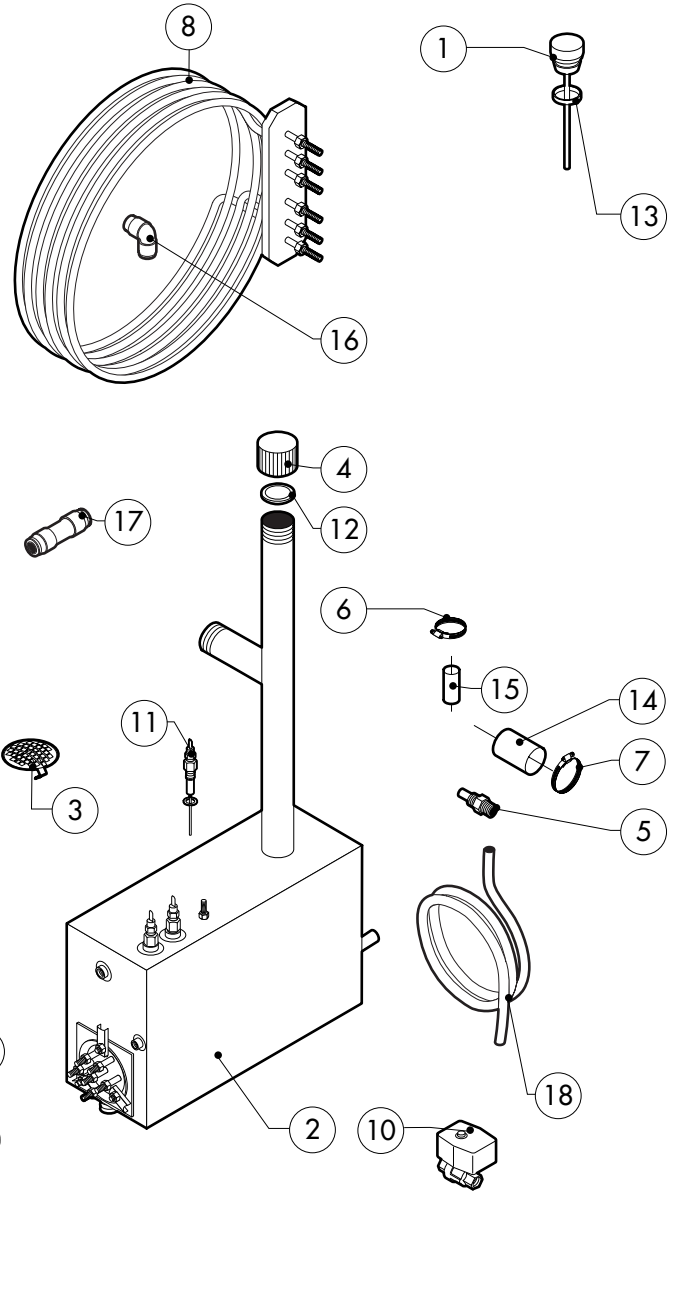
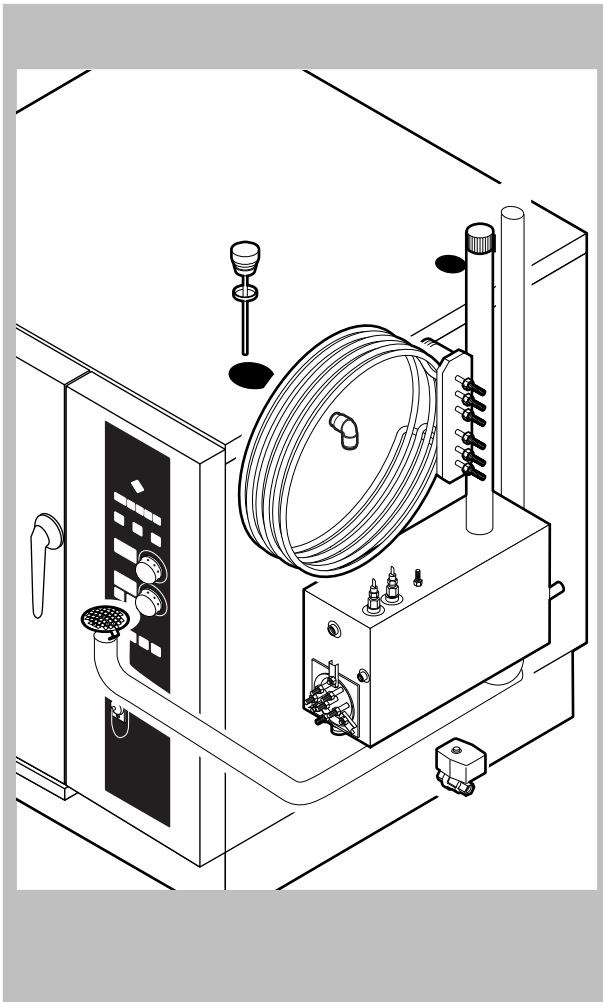
POS.	CODE	PIECES	DESCRIPTION
16	R70050100	6	GLASS SILICON SPACERS
17	R70042760	1	GLASS GASKET
18	R66110310	1	DOOR LAMPS CABLE SET
19	R11401440	1	LAMP COVER
20	R71500150	1	GLASS LAMP
21	R70044200	1	LAMP GASKET
22	R11401450	1	GLASS HOLDER LAMP FLANGE
23	R65270020	1	LIGHT 20W 12V G4
24	R65270450	1	LIGHT SOCKET
25	R65260750	1	LAMPS CONTACT BLOCK
26	R66110300	1	LAMPS CONTACT CABLE SET
27	R11100300	1	DOOR HANDLE ASSEMBLY
28	R69010260	1	DOOR LATCH 1 STEP
29	R69010270	1	DOOR LATCH 2 STEP
30	R69010250	1	DOOR CATCH KIT
31	R69010630	1	INNER DOOR CATCH PLASTIC COVER
32	R61620132	1	PRONG FLANGE



POS.	CODE	PIECES	DESCRIPTION
1	R58003860	1	MOTOR GASKET BRASS FLANGE
2	R58003870	1	MOTOR GASKET BRASS COUNTER FLANGE
3	R58004020	1	FAN SECURITY NUT M10 SX
4	R61400052	1	FAN WASHER Ø 21/10.5
5	*R65040431	1	MOTOR 0.37/0.05 KW KIT
6	R65060050	2	COMPONENTS VENTILATION MOTOR Ø 120
7	R65070350	1	CHAMBER SAFETY THERMOSTAT
8	R65070081	1	STEAM GENERATOR SAFETY THERMOSTAT
9	R65095000	1	DAMPER SYSTEM
10	R65110200	1	SOLENOID VALVE 220V 50HZ
11	R65110210	1	SOLENOID VALVE 220V 50HZ
12	R65110500	1	10 LT/H WATER FLOW REDUCER
13	*R65140550	8	CONTACTOR DIL 00 M-01 4KW
14	*R65160300	1	THERMIC PROTECTION T12-2115-0.8A
15	*R65160320	1	THERMIC PROTECTION T12-2115-2A
16	*R65140610	2	AUX.CONTACT 1L+1R 11 DIL M 4KW
17	R65180420	2	TRANSFORMER 20VA
18	*R65190180	1	CAPACITOR 10 µF
19	R65200086	2	FUSE 0.125A (T)

POS.	CODE	PIECES	DESCRIPTION
20	R65200200	1	FUSE 2A
21	R65210020	3	FUSE CARRIER
22	R65220090	1	TERMINAL BOARD
23	R65265100	1	DOOR SWITCH
24	*R65280200	3	INTERFERENCE SUPPRESSOR
25	*R65280450	1	FERRITE
26	R65325000	3	PROBE PT100
27	R70020040	1	MOTOR GASKET
28	*R75400400	1	FAN Ø 220x78/12.50HZ P.D. KIT

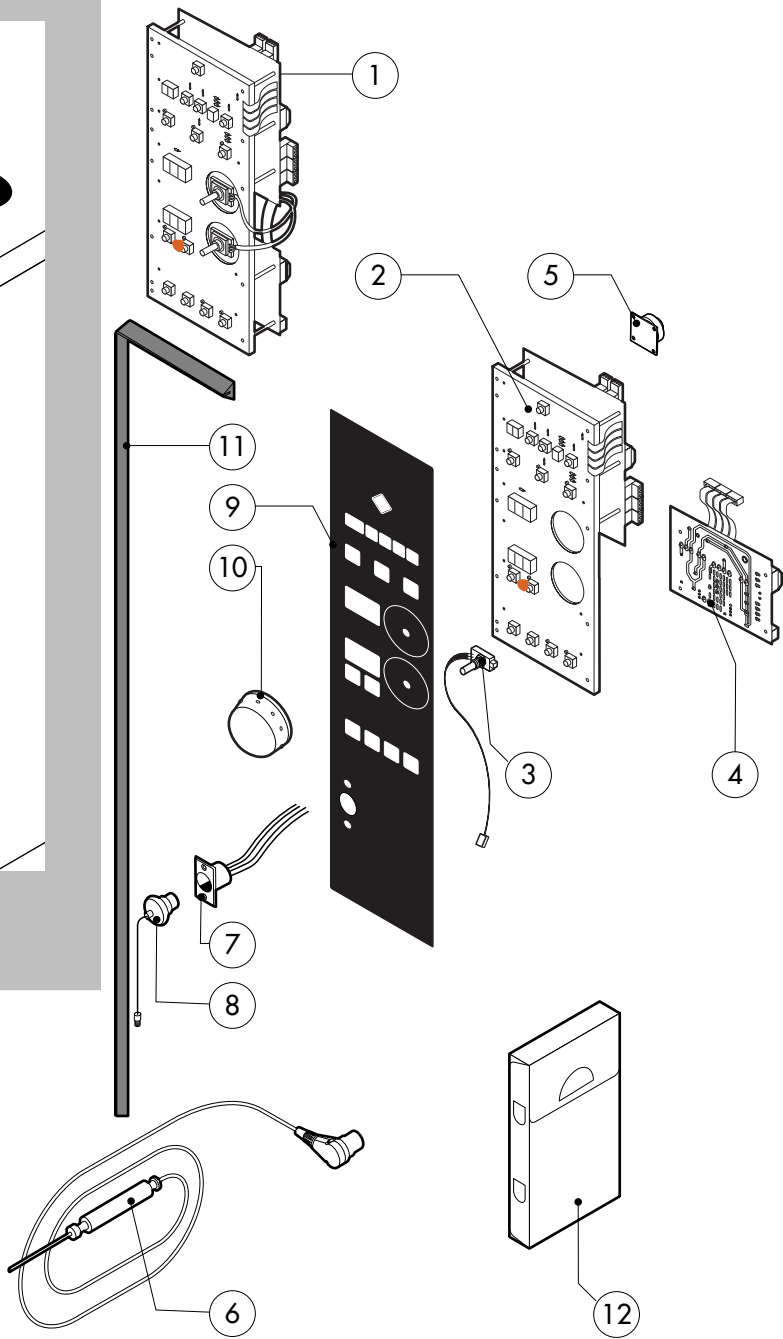
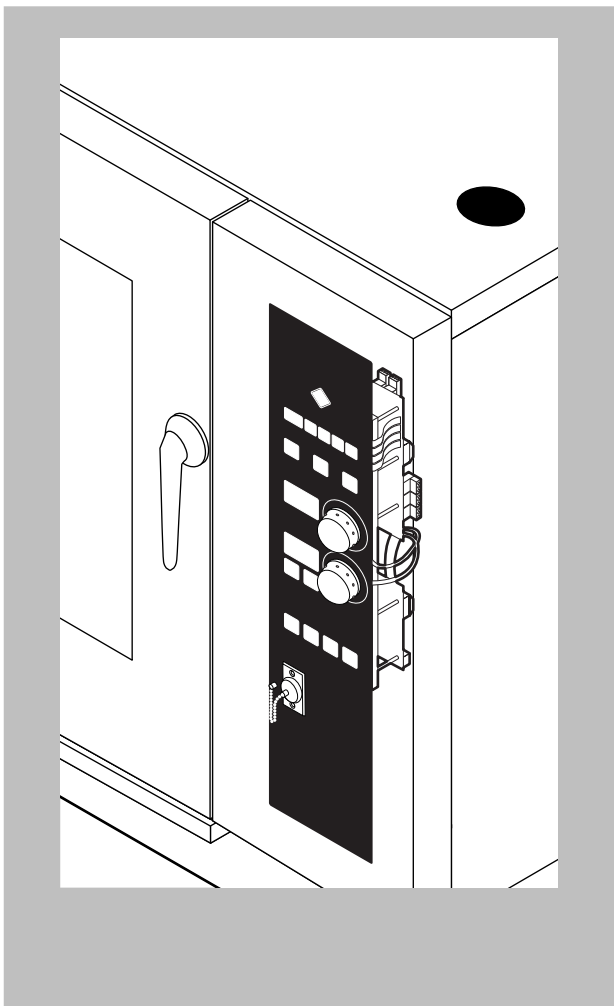
\*COMPONENT SUBMITTED TO CHANGEMENTS CAUSED BY TENSION DIFFERENT FROM THE STANDARD (3N AC400V 50HZ)



POS.	CODE	PIECES	DESCRIPTION
1	R10100140	1	DAMPER SYSTEM CAP
2	R14102300	1	STEAM GENERATOR ASSEMBLY
3	R10201710	1	DRAIN FILTER
4	R58005680	1	STEAM GENERATOR DESCALING CAP 1"1/4 F
5	R58006130	2	STEAM QUENCHING NOZZLE Ø 1
6	R61630011	2	METAL CLAMPS 12-22/9
7	R61630021	2	METAL CLAMPS 30-45/9
8	*R65011540	1	CHAMBER HEATING ELEMENT 7500W
9	*R65020350	1	STEAM GENERATOR HEATING ELEMENT 7500W
10	R65110560	1	STEAM GENERATOR DRAIN MOTORIZED VALVE
11	R65320010	2	STEAM GENERATOR LEVEL PROBE
12	R70050040	1	STEAM GENERATOR CAP GASKET
13	R70060020	1	DAMPER SYSTEM CAP GASKET
14	R70060010	1	SILICON COUPLING Ø 30
15	R70060080	1	SILICON COUPLING Ø 13
16	R62090478	5	ELBOW MIDLING PIPE FITTING D.10
17	R62090458	1	STRAIGHT MIDLING PIPE FITTING D.10
18	R70070050	1	PE D.10 MM X7 WATER FLEXIBLE PIPE (3 MT LONG)
19	R70045010	1	STEAM GENERATOR HEATING ELEMENT GASKET

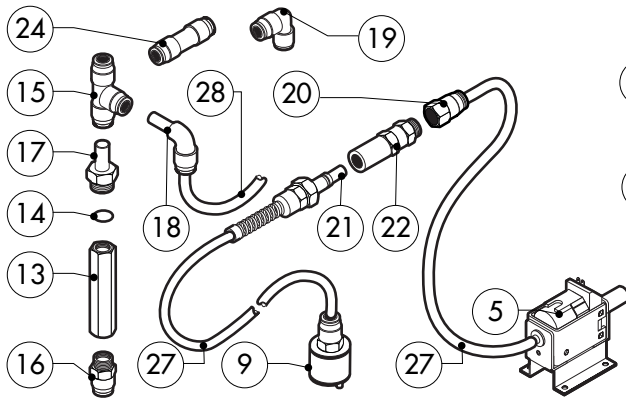
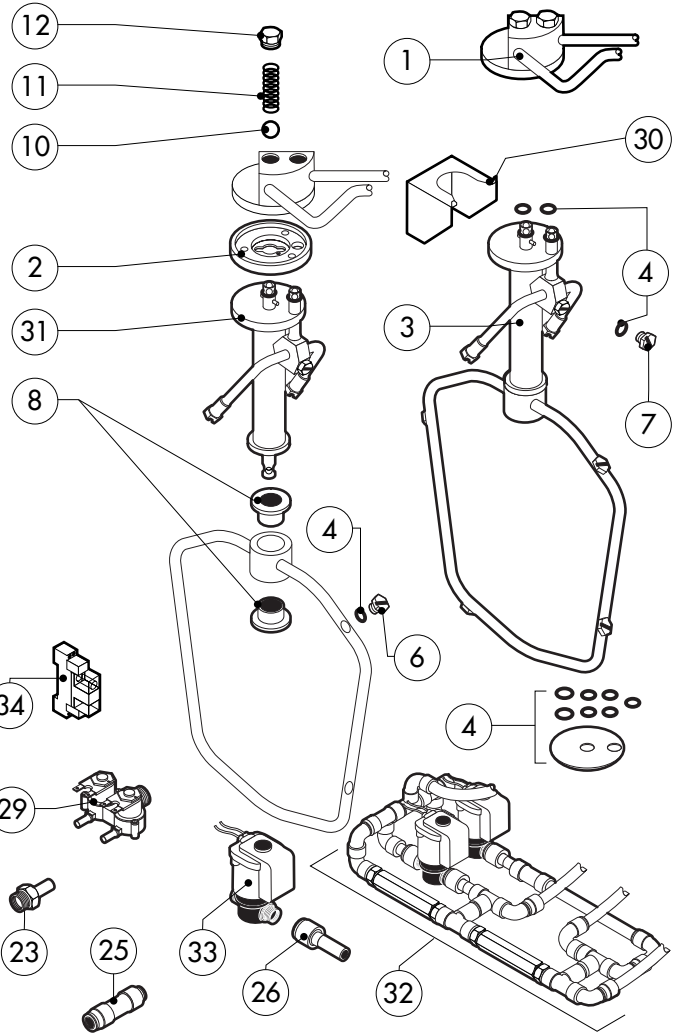
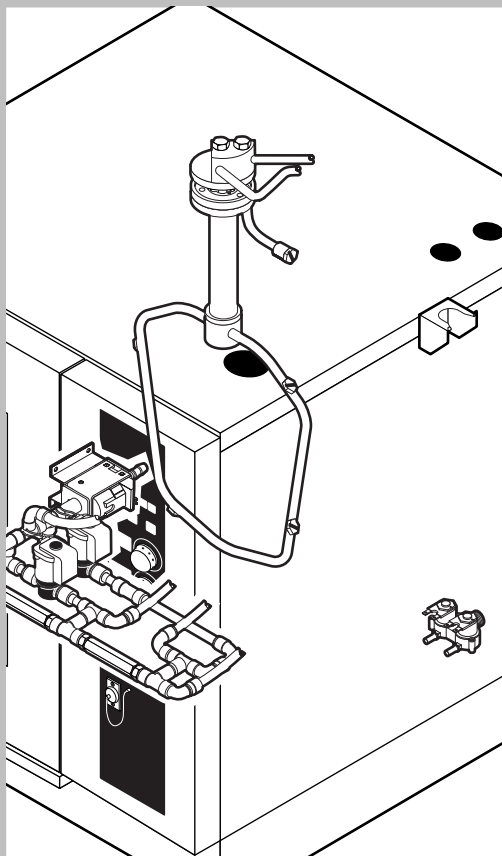
POS.	CODE	PIECES	DESCRIPTION

\*COMPONENT SUBMITTED TO CHANGEMENTS CAUSED BY TENSION DIFFERENT FROM THE STANDARD (3N AC400V 50HZ)



POS.	CODE	PIECES	DESCRIPTION
1	R65301390	1	CONTROL PANEL P.C. BOARD
2	R65301370	1	FRONT+RELAY PC BOARD "H-P" MOD
3	R65301450	2	FRONT PC BOARD ENCODER
4	R65301480	1	BOILER CONTROL PC BOARD "H-P" MOD
5	R65301440	1	PC BOARD BUZZER
6	R65321120	1	CORE TEMPERATURE PROBE
7	R65320920	1	CORE TEMPERATURE PROBE FEMALE CONNECTOR
8	R65321020	1	COVER FOR FEMALE CONNECTOR
9	R67013140	1	PLATE
10	R69030260	2	KNOB
11	R70042910	1	CONTROL PANEL GASKET
12	R86020420	1	CORE TEMPERATURE PROBE BOX

POS.	CODE	PIECES	DESCRIPTION



POS.	CODE	PIECES	DESCRIPTION
1	R14212250	1	WASHING SYSTEM EXTERNAL ASSEMBLY
2	R58004960	1	WASHING SYSTEM INNER FLANGE
3	R14102480	1	WASHING DEVICE ASSEMBLY
4	R70045090	1	GASKETS KIT
5	R65110600	1	DETRGENT PUMP
6	R62210032	4	1,3 L/MIN RINSING JET
7	R62210042	1	0,56 L/MIN DETERGENT JET
8	R58004980	2	WASHING DEVICE ROTATION BUSH
9	R65110650	1	BOTTOM FILTER
10	R62220012	2	SPHERA D.14
11	R61620041	2	SPRING
12	R58005000	2	1/2" MALE COVER
13	R65110640	2	ANTI-BACK FLOW
14	R70010050	4	OR GASKETS
15	R62090468	5	"T" MIDDLING PIPE FITTING D.10
16	R62090508	1	10X1/4 STRAIGHT THREADED TERMINAL PIPE FITTING
17	R62090518	3	10X1/4 END SIDE PIPE FITTING (WITH TANG)
18	R62090528	10	ELBOW PIPE FITTING (WITH TANG) 10 X 10
19	R62090478	4	ELBOW MIDDLING PIPE FITTING D.10

POS.	CODE	PIECES	DESCRIPTION
20	R62090538	1	1/4" FEMALE STRAIGHT PIPE FITTING FOR D.8X6 PIPE
21	R62090482	1	RAPID MALE PIPE FITTING
22	R62090492	1	RAPID FEMALE PIPE FITTING
23	R62090608	1	8X1/8 END SIDE PIPE FITTING (WITH TANG)
24	R62090458	1	STRAIGHT MIDDLING PIPE FITTING D.10
25	R62090618	1	10-8 REDUCTION PIPE FITTING
26	R62090548	4	10-6 REDUCTION PIPE FITTING
27	R70070100	1	PE D.8 MM X 6 DETERGENT FLEXIBLE PIPE
28	R70070050	1	PE D.10 MM X7 WATER FLEXIBLE PIPE (3 MT LONG)
29	R65110210	1	SOLENOID VALVE 220V 50HZ
30	R11402000	1	WASHING DEVICE EXTERNAL HOLDER
31	R14102550	1	TUBE DEVICE SUPPORT WASHING
32	R62300028	1	ANTI-BACK FLOW DEVICE ASSEMBLY
33	R65110260	2	SOLENOID VALVE D.6 220V 50HZ
34	R65170050	2	RELAY 4052 240V AC 10A