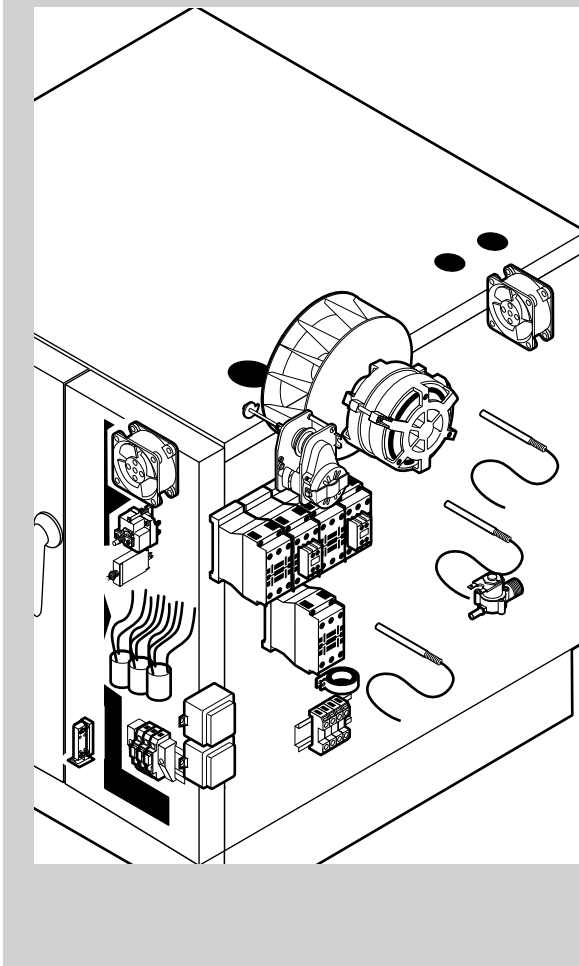


POS.	CODE	PIECES	DESCRIPTION
1	R14210060	1	DOOR OLIS
1	R14210070	1	DOOR BARON
2	R14214430	1	INNER DOOR PANEL
3	R69180200	1	INNER DOOR PANEL DRIP TRAY
4	R71201650	1	INNER DOOR GLASS
5	R69180000	1	DOOR DRIP TRAY DRAINAGE
6	R58001760	2	INNER GLASS SOLID HINGE
7	R58001770	2	INNER GLASS HINGE PIN
8	R58001780	2	INNER GLASS CATCH KIT
9	R11401340	1	TOP "C" PROFILE
10	R11401360	1	LOWER "C" PROFILE
11	R11207240	1	LOWER DOOR HINGE
12	R58002670	1	LOWER HINGE PIN
13	R11200560	1	UPPER DOOR HINGE
14	R58002150	1	HINGE PIN
15	R58004050	2	NUT FOR UPPER DOOR HINGE
16	R10401710	1	WASHER FOR UPPER DOOR HINGE
17	R70050100	6	GLASS SILICON SPACERS
18	R70042760	1	GLASS GASKET

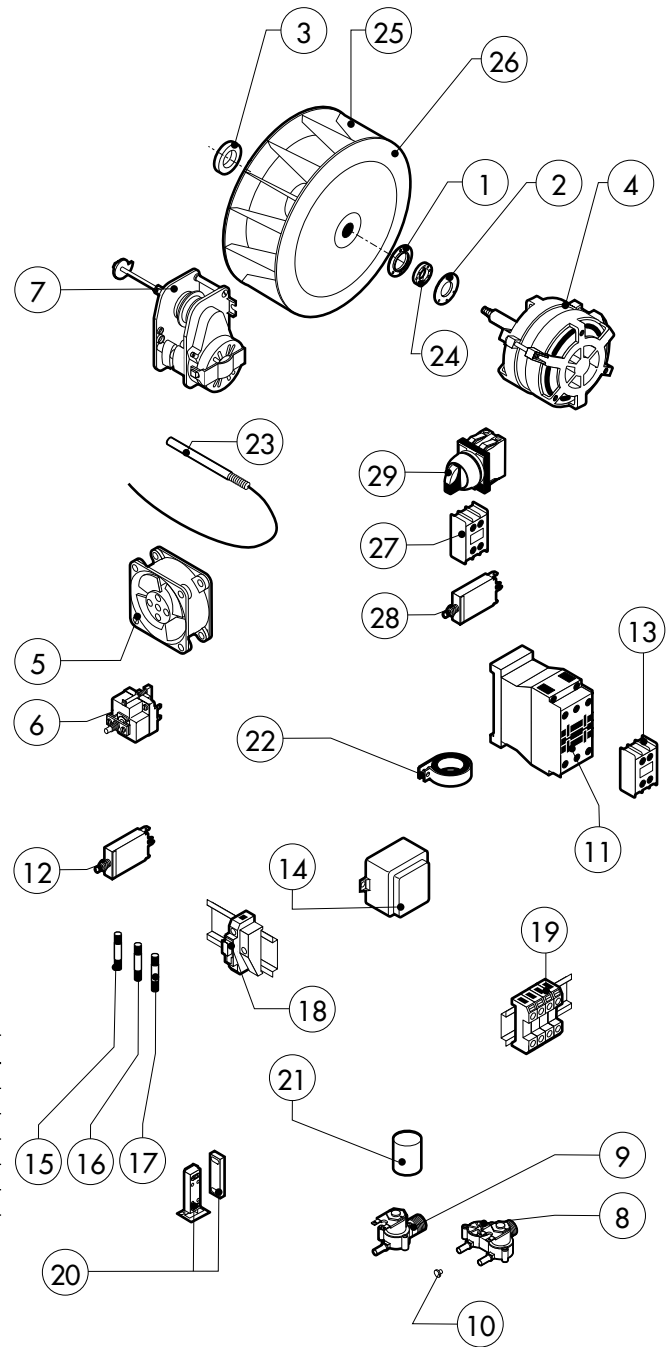
POS.	CODE	PIECES	DESCRIPTION
19	R66110310	1	DOOR LAMPS CABLE SET
20	R11401440	1	LAMP COVER
21	R71500150	1	GLASS LAMP
22	R70044200	1	LAMP GASKET
23	R11401450	1	GLASS HOLDER LAMP FLANGE
24	R65270020	1	LIGHT 20W 12V G4
25	R65270450	1	LIGHT SOCKET
26	R65260750	1	LAMPS CONTACT BLOCK
27	R66110300	1	LAMPS CONTACT CABLE SET
28	R11100300	1	DOOR HANDLE ASSEMBLY
29	R69010260	1	DOOR LATCH 1 STEP
30	R69010270	1	DOOR LATCH 2 STEP
31	R69010250	1	DOOR CATCH KIT
32	R69010630	1	INNER DOOR CATCH PLASTIC COVER
33	R61620132	1	PRONG FLANGE



TWO SPEED FAN

POS.	CODE	PIECES	DESCRIPTION
4	*R65040431	1	MOTOR KW 025/005 2-4P 220-240V KIT
12	*R65140700	7	CONTACTOR DIL M9-01 4KW-20A
27	*R65140740	3	AUX.CONTACT 1L+1R DILM32-XH11-S 7,5KW
28	*R651603 00	1	THERMIC PROTECTION T12-211S-0,8A
29	R65080150	1	2 POSITIONS SELECTOR SWITCH

POS.	CODE	PIECES	DESCRIPTION
1	R58003860	1	MOTOR GASKET BRASS FLANGE
2	R58003870	1	MOTOR GASKET BRASS COUNTER FLANGE
3	R61400052	1	FAN WASHER Ø 21/10.5
4	*R65040421	1	MOTOR KW 025 2P 220-240V KIT
5	R65060050	2	COMPONENTS VENTILATION MOTOR Ø 120
6	R65070350	1	CHAMBER SAFETY THERMOSTAT
7	R65095000	1	DAMPER SYSTEM
8	R65110230	1	SOLENOID VALVE 220V 50HZ
9	R65110200	1	SOLENOID VALVE 220V 50HZ
10	R65110500	1	10 LT/H WATER FLOW REDUCER
11	*R65140700	5	CONTACTOR DIL M9-01 4KW-20A
12	*R65160320	1	THERMIC PROTECTION T12-211S-2A
13	*R65140730	2	AUX.CONTACT 1L+1R DILM32-XH11 4-7,5KW
14	R65180420	2	TRANSFORMER 20VA
15	R65200200	1	FUSE 2A
16	R65200320	1	FUSE 0.200A (T)
17	R65200086	1	FUSE 0.125A (T)
18	R65210020	3	FUSE CARRIER
19	R65220091	1	TERMINAL BOARD



POS.	CODE	PIECES	DESCRIPTION
20	R65265100	1	DOOR SWITCH
21	*R65280200	3	INTERFERENCE SUPPRESSOR
22	*R65280490	1	FERRITE FT35
23	R65320220	2	PROBE "K" 6x80 1,5mt
24	R70020040	1	MOTOR GASKET
25	*R75400400	1	FAN Ø 220x78/12 50HZ P.D. KIT UNTIL N° 052009
	*R75400490	1	FAN Ø 220x80/8 50HZ P.D. KIT FROM N° 062009
26	R75400420	1	FAN Ø 220x78/8 60HZ P.D. KIT UNTIL N° 052009
	*R75400530	1	FAN Ø 220x80/8 60HZ P.D. KIT FROM N° 062009

\*COMPONENT SUBMITTED TO CHANGEMENTS CAUSED BY TENSION DIFFERENT FROM THE STANDARD (3N AC 400V 50HZ)





