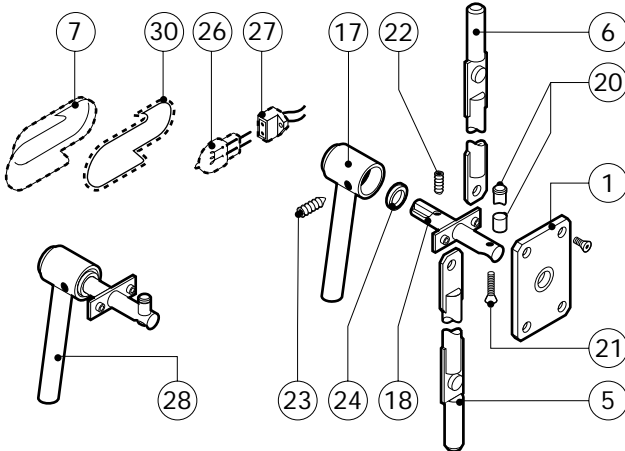
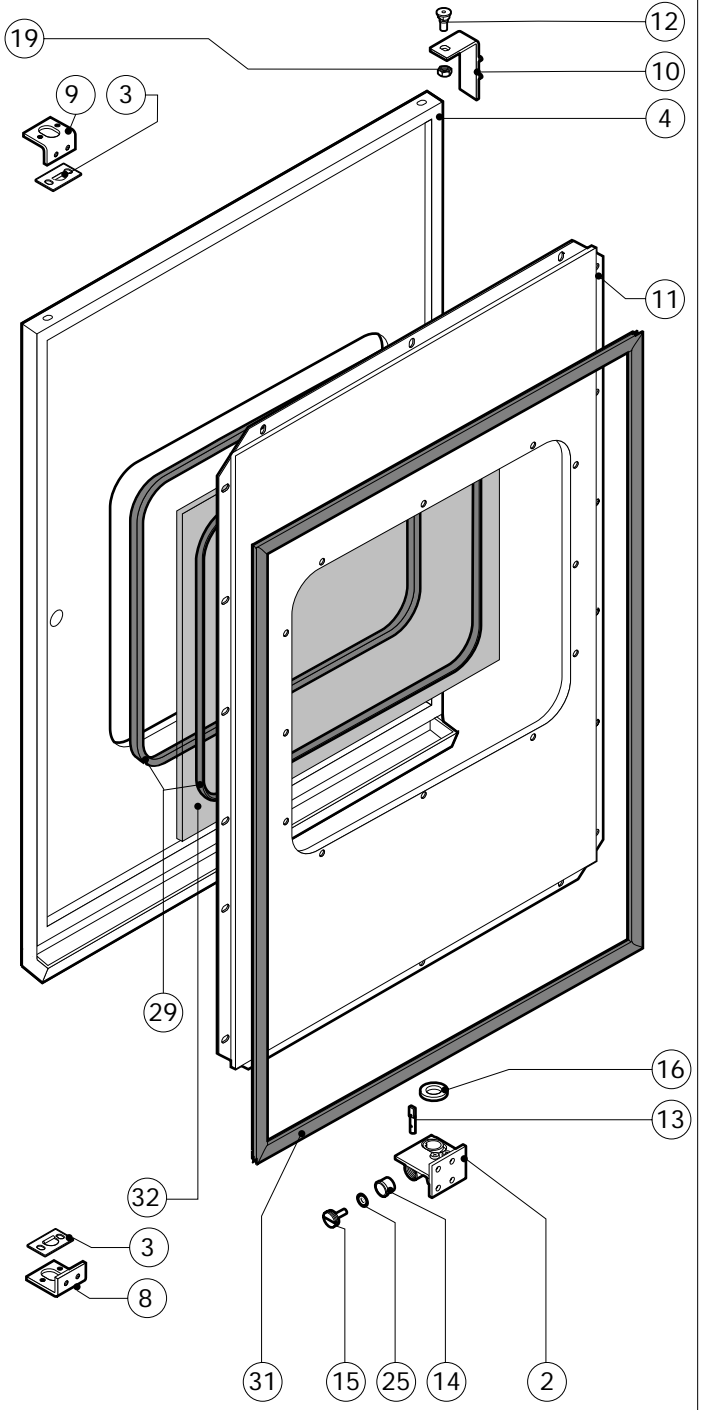
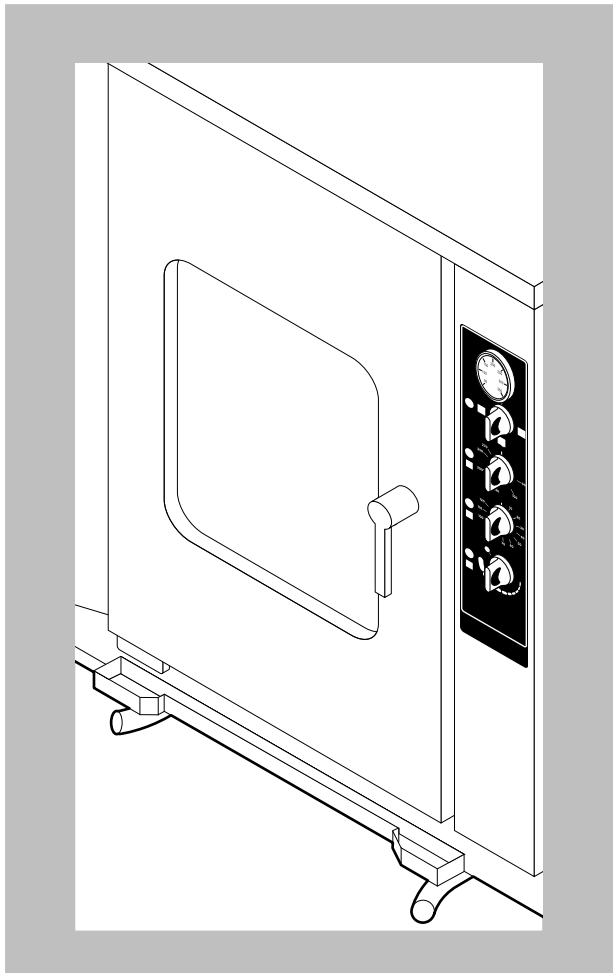


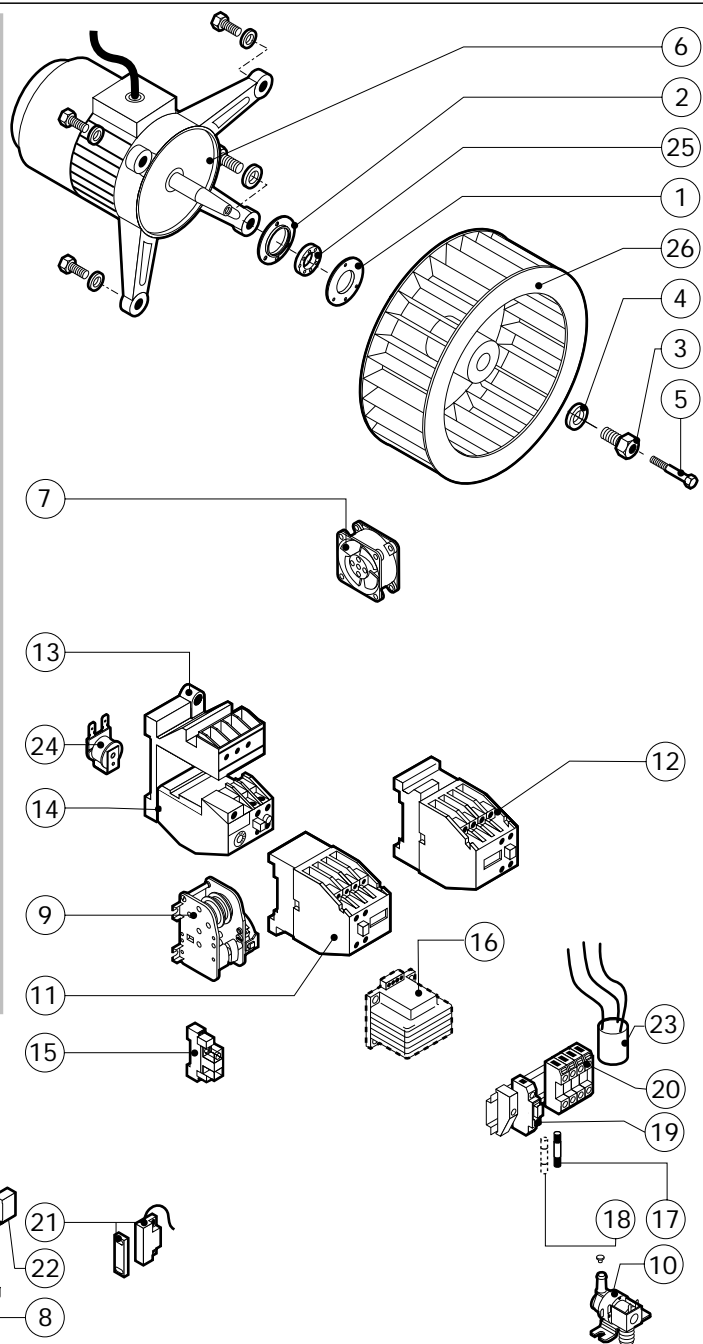
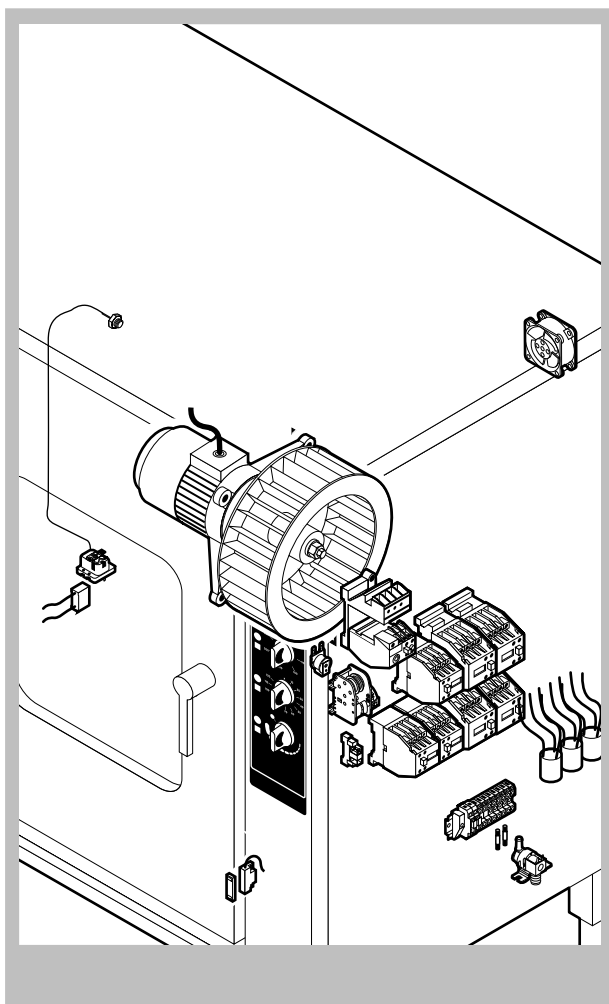
POS.	CODE	PIECES	DESCRIPTION
1	R10105200	1	DOOR ASSEMBLY
2	R10105210	1	DOOR ASSEMBLY WITH LIGHTS
3	R10206480	1	SPRITZER EXTENSION
4	R10206540	1	SPRITZER UNION
5	R10221980	1	COOKING CABINET ASSEMBLY
6	R10222110	1	COVER PANEL
7	R10222170	1	FRONT LEFT PANEL
8	R10222230	1	LEFT SIDE PANEL
9	R10222240	1	REAR PANEL
10	R10222260	1	FAN GUARD PANEL ASSEMBLY
11	R10222380	1	CONTROL PANEL
12	R10460830	1	RIGHT SIDE PANEL
13	R58003100	2	FAN GUARD FASTENING SCREW
14	R69070020	4	FOOT 1"1/2x133
15	R70043290	1	FRONT GASKET
16	R75300020	2	FAN GUARD GRID Ø 120
17	R75300090	1	FAN GUARD GRID Ø 350

POS.	CODE	PIECES	DESCRIPTION



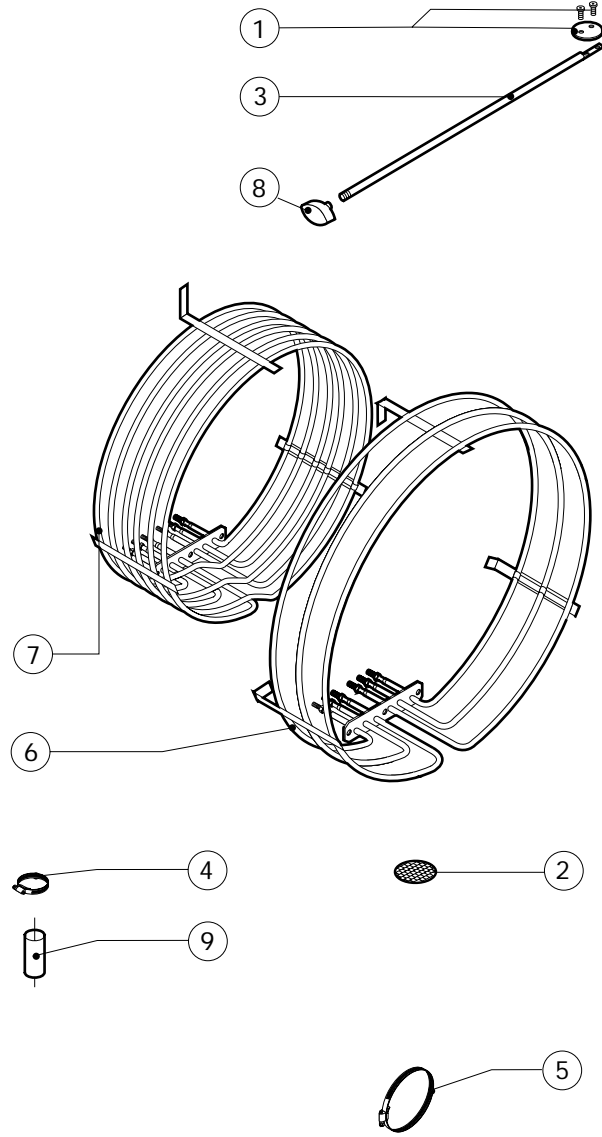
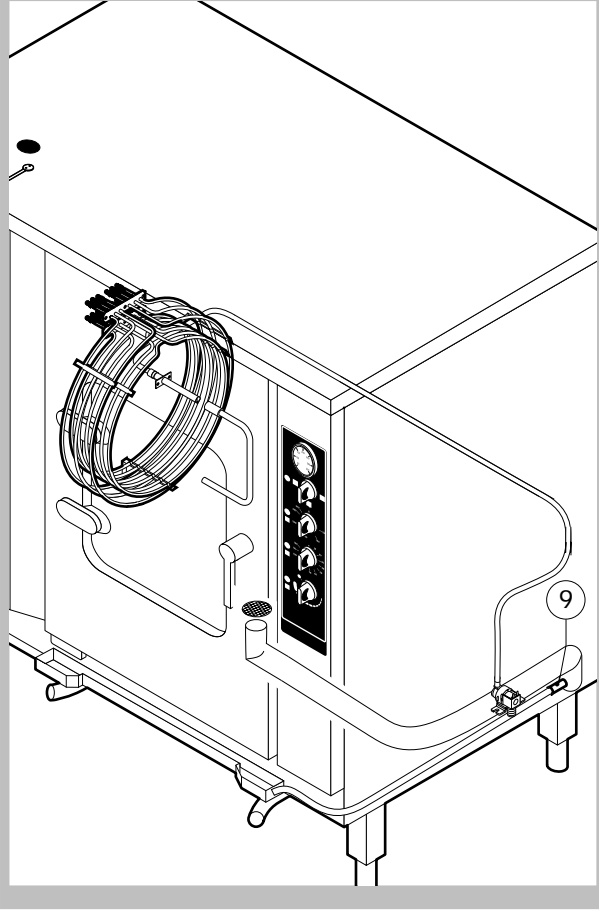
POS.	CODE	PIECES	DESCRIPTION
1	R03200970	1	DOOR LOCK REAR FLANGE
2	R10201330	1	LOWER DOOR HINGE WITH RETAINER
3	R10207680	2	DOOR ROD ADJUSTABLE PLATE
4	R10221960	1	DOOR
5	R10222140	1	LOWER DOOR ROD
6	R10222150	1	UPPER DOOR ROD
7	R10400150	2	LIGHT PROTECTION
8	R10411350	1	LOWER SQUARE FOR DOOR ROD
9	R10411360	1	UPPER SQUARE FOR DOOR ROD
10	R10413290	1	UPPER DOOR HINGE
11	R10460360	1	INNER DOOR PANEL
12	R58002150	1	HINGE PIN
13	R58002540	1	DOOR PIVOT SUNK KEY
14	R58002550	1	DOOR RETAINER GUIDE SHOE
15	R58002560	1	SCREW FOR LOWER DOOR HINGE
16	R58002570	1	WASHER Ø 30/15x3
17	R58003171	1	DOOR HANDLE
18	R58003180	1	DOOR HANDLE PIN
19	R58004050	1	NUT FOR UPPER DOOR HINGE

POS.	CODE	PIECES	DESCRIPTION
20	R58004781	1	DOOR HANDLE HOOK
21	R61040272	1	DOOR HANDLE HOOK SCREW
22	R61090052	1	GRUB SCREW M6x16
23	R61100262	1	GRUB SCREW M8x20
24	R61420021	1	ELASTIC WASHER
25	R61620091	16	BELLEVILLE WASHER Ø 14/6.4
26	R65270020	2	LIGHT 20W 12V G4
27	R65270400	2	LIGHT SOCKET
28	R69015050	1	DOOR HANDLE ASSEMBLY
29	R70040200	2	GLASS GASKET
30	R70040800	2	LIGHT PROTECTION GASKET
31	R70041930	1	DOOR GASKET
32	R71030120	1	DOOR GLASS



POS.	CODE	PIECES	DESCRIPTION
1	R58003840	1	MOTOR GASKET BRASS FLANGE
2	R58003850	1	MOTOR GASKET BRASS COUNTER FLANGE
3	R58004000	1	FAN SCREW M12x1.5 SX
4	R58004010	1	FAN WASHER Ø 30/12.5
5	R61020562	1	FAN SCREW TE A2 M6x55
6	R65040061	1	MOTOR HP 1 KIT
7	R65060050	2	COMPONENTS VENTILATION MOTOR Ø 120
8	R65070070	1	CHAMBER SAFETY THERMOSTAT
9	R65090190	1	REVERSING SWITCH 8"
10	R65115040	1	SOLENOID VALVE 220V 50HZ WITH FLOW REDUCER
11	R65140150	2	CONTACTOR 3TF4011-OAUO 240V
12	R65140240	4	CONTACTOR 3TF4211-OAUO 240V
13	R65160050	1	THERMIC SWITCH SUPPORT 3UX1418
14	R65160120	1	THERMIC PROTECTION 3UA5000-1C 1.6-2.5A
15	R65170050	1	RELAY 4052 240V AC 10A
16	R65180430	1	TRANSFORMER 40VA
17	R65200200	1	FUSE 2A
18	R65200350	1	FUSE 0.4A (T)
19	R65210020	2	FUSE CARRIER

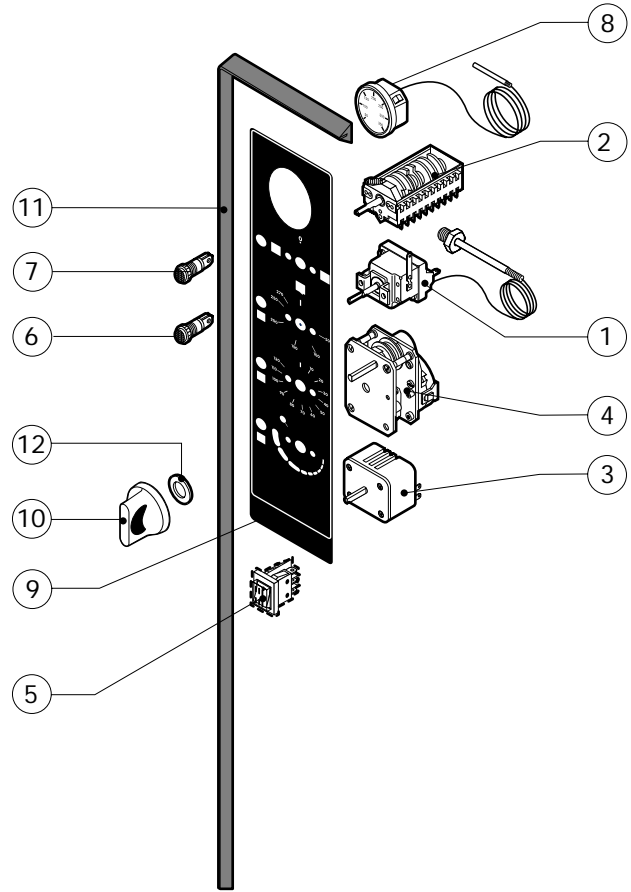
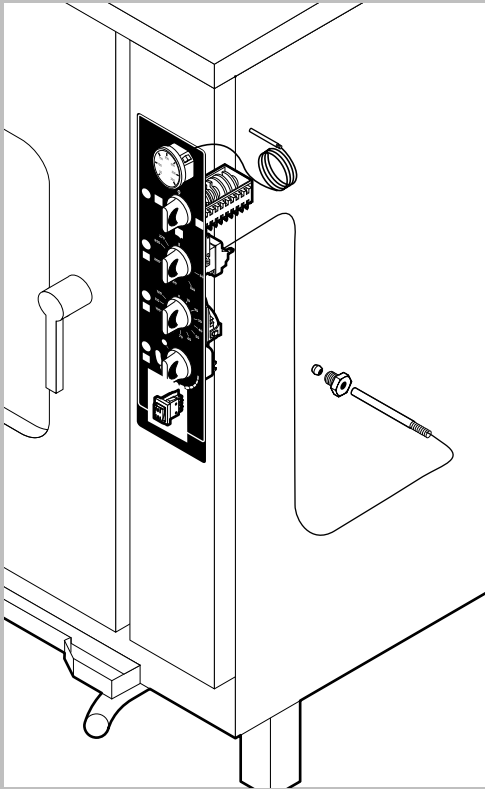
POS.	CODE	PIECES	DESCRIPTION
20	R65220130	1	TERMINAL BOARD
21	R65265100	1	DOOR SWITCH
22	R65280130	1	INTERFERENCE SUPPRESSOR
23	R65280200	3	INTERFERENCE SUPPRESSOR
24	R65330010	1	BUZZER
25	R70020050	1	MOTOR GASKET
26	R75400380	1	FAN Ø 350x120/24 50HZ P.D. KIT



POS.	CODE	PIECES	DESCRIPTION
1	R04403460	1	CHAMBER VENT PLATE Ø 46
2	R10201720	1	DRAIN FILTER
3	R58003520	1	CHAMBER VENT ROD
4	R61630011	4	METAL CLAMPS 12-22/9
5	R61630071	4	METAL CLAMPS 110-130/9
6	R65011250	1	CHAMBER HEATING ELEMENT 15000W
7	R65011310	1	CHAMBER HEATING ELEMENT 15000W
8	R69010410	1	STEAM OUTLET KNOB
9	R70060080	1	SILICON COUPLING Ø 13

POS.	CODE	PIECES	DESCRIPTION

016.40.149.0115 100101 DONADINI & C



POS.	CODE	PIECES	DESCRIPTION
1	R65070210	1	CABINET THERMOSTAT 50/270°C
2	R65080010	1	MAIN SELECTOR SWITCH
3	R65080250	1	ENERGY REGULATOR
4	R65090020	1	TIMER
5	R65260120	1	SWITCH
6	R65270220	3	ORANGE INDICATING LIGHT
7	R65270230	1	GREEN INDICATING LIGHT
8	R65340050	1	THERMOMETER
9	R67012200	1	LAINOX PLATE
10	R69030150	4	KNOB KIT
11	R70040860	1	CONTROL PANEL GASKET
12	R70050020	8	KNOB GASKET

POS.	CODE	PIECES	DESCRIPTION