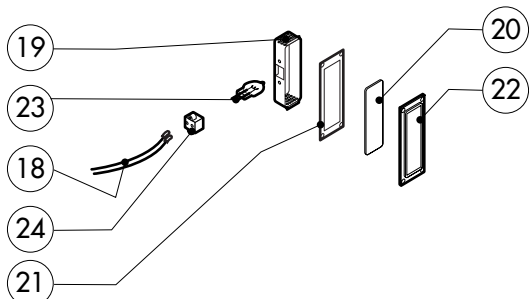
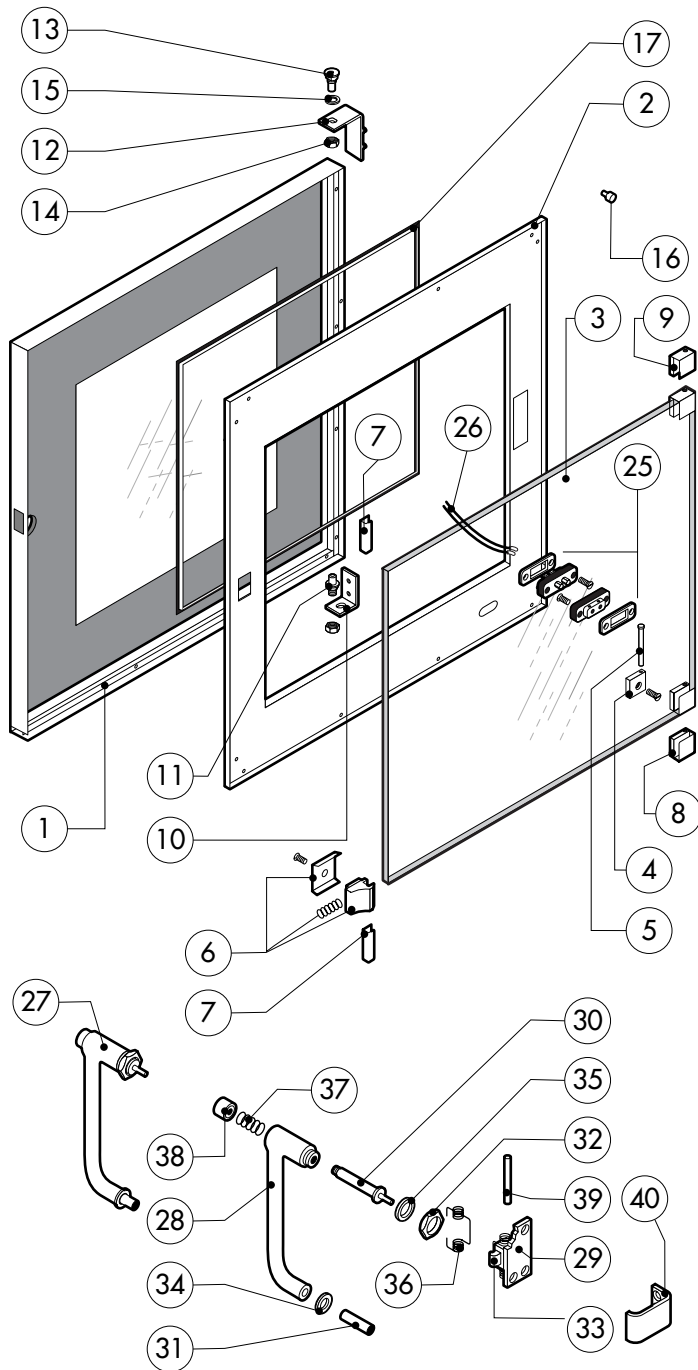
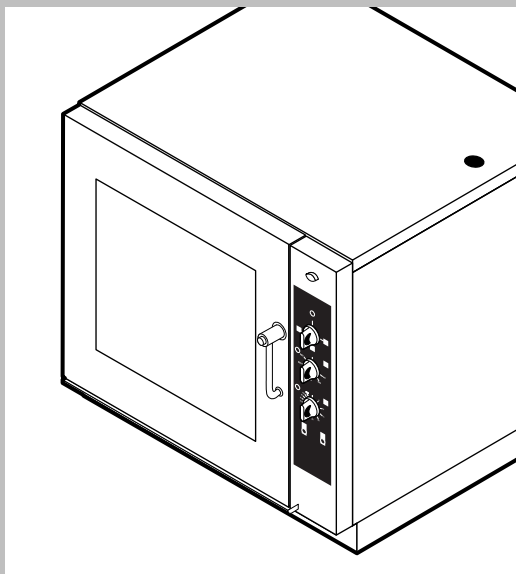


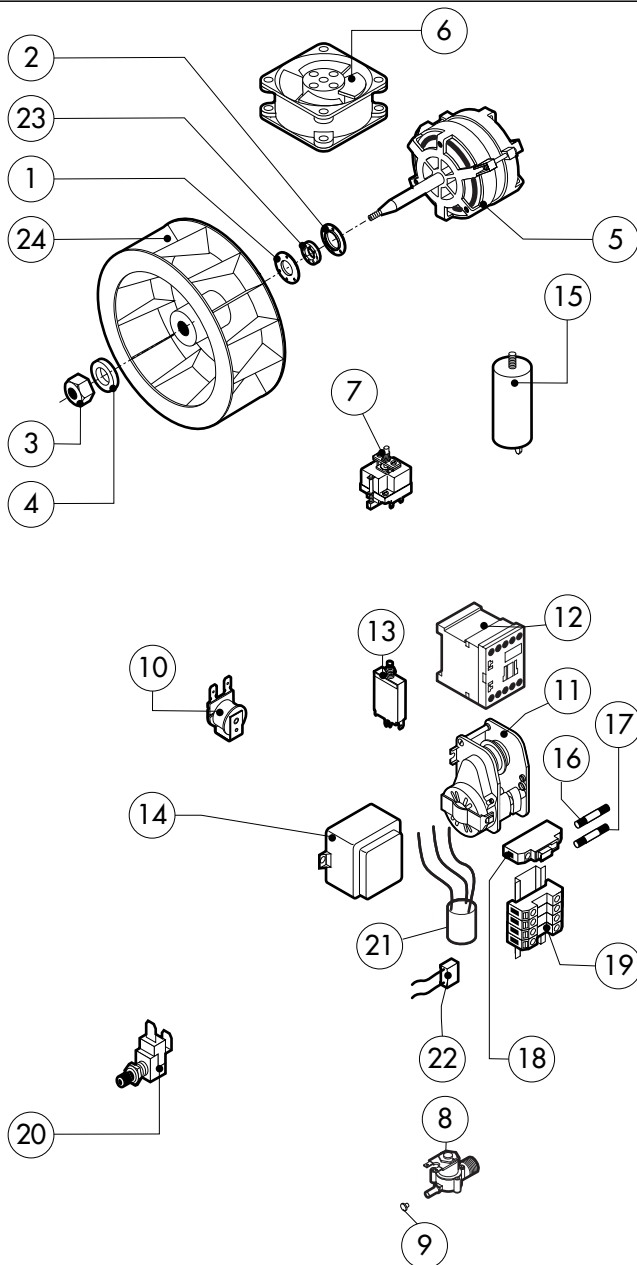
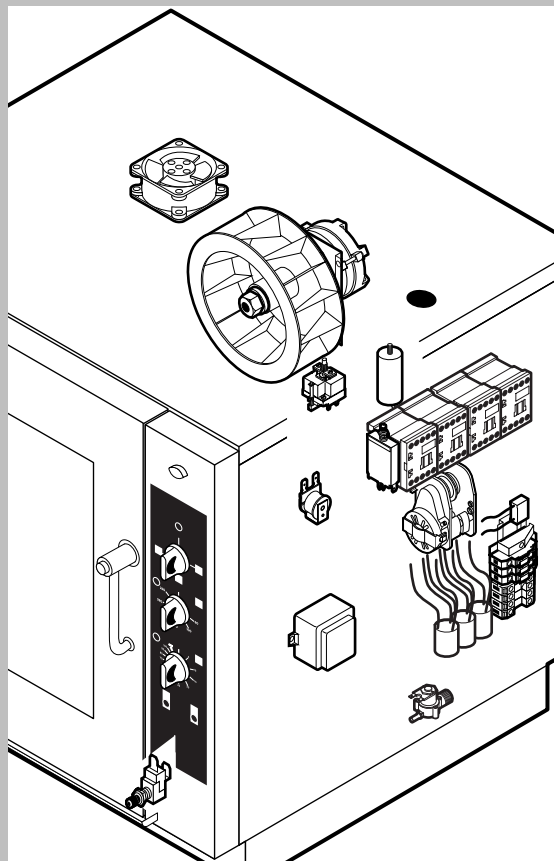
| POS. | CODE | PIECES | DESCRIPTION |
|------|-----------|--------|---------------------------|
| 1 | R18100030 | 1 | DOOR ASSEMBLY |
| 2 | R18201920 | 1 | CONTROL PANEL |
| 3 | R11200650 | 1 | SPRITZER EXTENSION |
| 4 | R11200380 | 1 | SPRITZER UNION |
| 5 | R18100370 | 1 | COOKING CABINET ASSEMBLY |
| 6 | R18404240 | 1 | FAN GUARD PANEL ASSEMBLY |
| 7 | R18404330 | 2 | SIDE PANEL |
| 8 | R18404320 | 1 | REAR PANEL |
| 9 | R18404370 | 1 | COVER PANEL |
| 10 | R58006400 | 4 | FAN GUARD FASTENING SCREW |
| 11 | R70044230 | 1 | FRONT GASKET |
| 12 | R18201830 | 1 | REMOVABLE RACK DX |
| 13 | R18201840 | 1 | REMOVABLE RACK SX |
| | | | |
| | | | |
| | | | |
| | | | |
| | | | |
| | | | |
| | | | |
| | | | |
| | | | |
| | | | |

| POS. | CODE | PIECES | DESCRIPTION |
|------|------|--------|-------------|
| | | | |
| | | | |
| | | | |
| | | | |
| | | | |
| | | | |
| | | | |
| | | | |
| | | | |
| | | | |
| | | | |
| | | | |
| | | | |
| | | | |
| | | | |
| | | | |
| | | | |
| | | | |
| | | | |
| | | | |
| | | | |
| | | | |
| | | | |



| POS. | CODE | PIECES | DESCRIPTION |
|------|-----------|--------|-----------------------------|
| 1 | R18202060 | 1 | DOOR |
| 2 | R18202070 | 1 | INNER DOOR PANEL |
| 3 | R71201500 | 1 | INNER DOOR GLASS |
| 4 | R58001760 | 2 | INNER GLASS SOLID HINGE |
| 5 | R58001770 | 2 | INNER GLASS HINGE PIN |
| 6 | R58001780 | 2 | INNER GLASS CATCH KIT |
| 7 | R11401340 | 1 | TOP "C" PROFILE |
| 8 | R18203910 | 1 | LOWER SUPPORT GLASS |
| 9 | R18203920 | 1 | TOP SUPPORT GLASS |
| 10 | R18404500 | 1 | LOWER DOOR HINGE |
| 11 | R58002520 | 1 | LOWER HINGE PIN |
| 12 | R11200560 | 1 | UPPER DOOR HINGE |
| 13 | R58002150 | 1 | HINGE PIN |
| 14 | R58004050 | 2 | NUT FOR UPPER DOOR HINGE |
| 15 | R10401710 | 1 | WASHER FOR UPPER DOOR HINGE |
| 16 | R70050100 | 6 | GLASS SILICON SPACERS |
| 17 | R70044650 | 1 | GLASS GASKET |
| 18 | R66110320 | 1 | DOOR LAMPS CABLE SET |
| 19 | R11401440 | 1 | LAMP COVER |
| 20 | R71500150 | 1 | GLASS LAMP |
| 21 | R70044200 | 1 | LAMP GASKET |

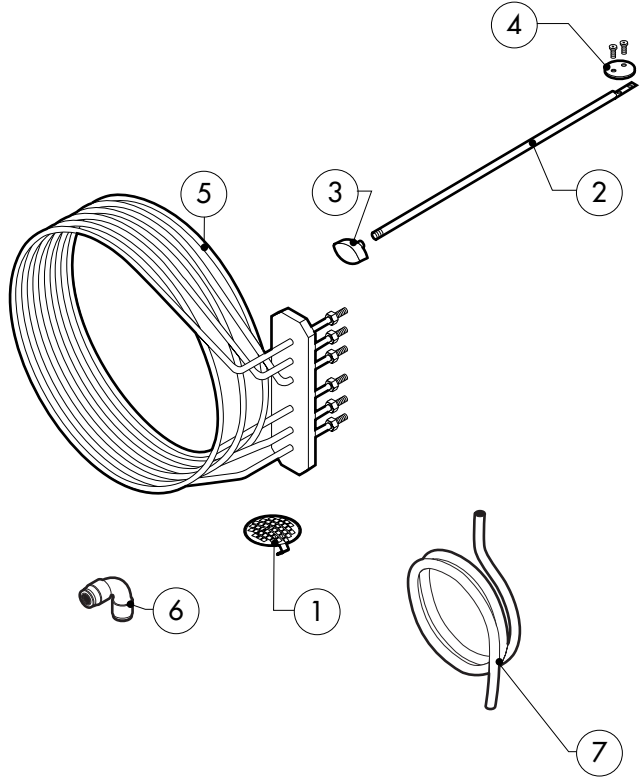
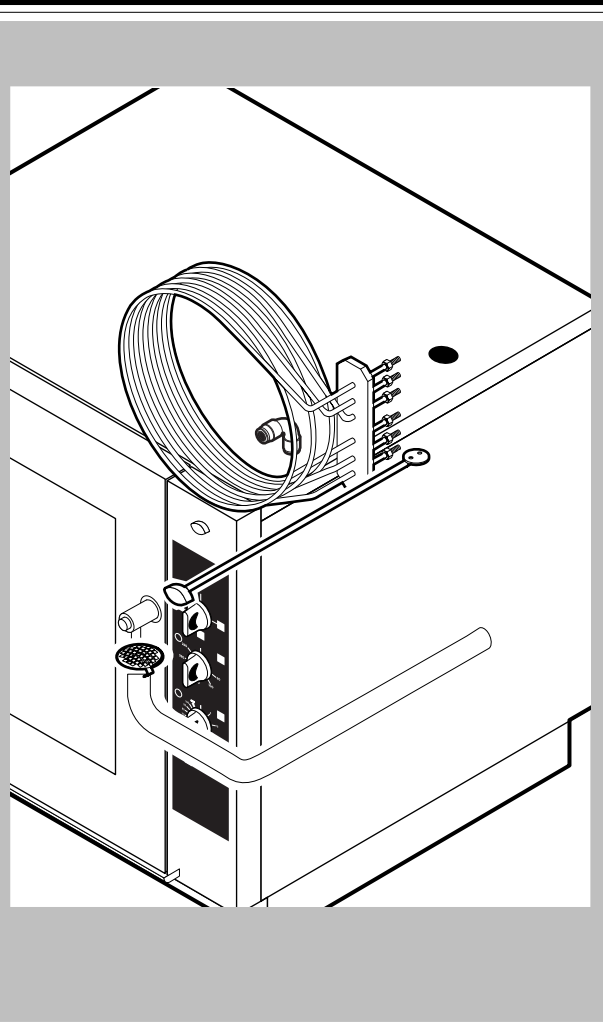
| POS. | CODE | PIECES | DESCRIPTION |
|------|-----------|--------|-------------------------------------|
| 22 | R11401450 | 1 | GLASS HOLDER LAMP FLANGE |
| 23 | R65270020 | 1 | LIGHT 20W 12V G4 |
| 24 | R65270450 | 1 | LIGHT SOCKET |
| 25 | R65260750 | 1 | LAMPS CONTACT BLOCK |
| 26 | R66110300 | 1 | LAMPS CONTACT CABLE SET |
| 27 | R69015000 | 1 | DOOR HANDLE ASSEMBLY |
| 28 | R09200230 | 1 | DOOR HANDLE |
| 29 | R10100110 | 1 | PRONG FLANGE |
| 30 | R58003240 | 1 | DOOR HANDLE BUTTON ROD |
| 31 | R58004270 | 1 | DOOR HANDLE SPACER |
| 32 | R58004830 | 1 | RING NUT M18x1 |
| 33 | R58005050 | 1 | DOOR HANDLE PRONG |
| 34 | R58005340 | 1 | DOOR HANDLE LOWER INSULATION WASHER |
| 35 | R58005350 | 1 | DOOR HANDLE UPPER INSULATION WASHER |
| 36 | R61620012 | 1 | DOOR HANDLE CATCH SPRING |
| 37 | R61620041 | 1 | DOOR HANDLE BUTTON SPRING |
| 38 | R69031190 | 1 | DOOR HANDLE PUSH BUTTON |
| 39 | R58002160 | 1 | DOOR HANDLE PRONG PIN |
| 40 | R18202020 | 1 | DOOR HANDLE PRONG COUPLER |



| POS. | CODE | PIECES | DESCRIPTION |
|------|------------|--------|------------------------------------|
| 1 | R58003860 | 1 | MOTOR GASKET BRASS FLANGE |
| 2 | R58003870 | 1 | MOTOR GASKET BRASS COUNTER FLANGE |
| 3 | R58004020 | 1 | FAN SECURITY NUT M10 SX |
| 4 | R61400052 | 1 | FAN WASHER Ø 21/10.5 |
| 5 | *R65040421 | 1 | MOTOR KW 025 2P 220-240V KIT |
| 6 | R65060050 | 1 | COMPONENTS VENTILATION MOTOR Ø 120 |
| 7 | R65070350 | 1 | CHAMBER SAFETY THERMOSTAT |
| 8 | R65110200 | 1 | SOLENOID VALVE 220V 50HZ |
| 9 | R65110500 | 1 | 10 LT/H WATER FLOW REDUCER |
| 10 | R65330010 | 1 | BUZZER |
| 11 | R65090190 | 1 | REVERSING SWITCH 8' |
| 12 | *R65140550 | 4 | CONTACTOR DIL 00 M-01 4KW |
| 13 | *R65160320 | 1 | THERMIC PROTECTION T12-211S-2A |
| 14 | R65180420 | 1 | TRANSFORMER 20VA |
| 15 | *R65190180 | 1 | CAPACITOR 10 µF |
| 16 | R65200200 | 1 | FUSE 2A |
| 17 | R65200080 | 1 | FUSE 0.125A (T) |
| 18 | R65210020 | 2 | FUSE CARRIER |
| 19 | R65220090 | 1 | TERMINAL BOARD |

| POS. | CODE | PIECES | DESCRIPTION |
|------|------------|--------|-------------------------------|
| 20 | R65260540 | 1 | DOOR SWITCH |
| 21 | *R65280200 | 3 | INTERFERENCE SUPPRESSOR |
| 22 | *R65280130 | 1 | INTERFERENCE SUPPRESSOR |
| 23 | R70020040 | 1 | MOTOR GASKET |
| 24 | *R75400400 | 1 | FAN Ø 220x78/12 50HZ P.D. KIT |
| | | | |
| | | | |
| | | | |
| | | | |
| | | | |
| | | | |
| | | | |
| | | | |
| | | | |
| | | | |
| | | | |
| | | | |
| | | | |
| | | | |
| | | | |
| | | | |

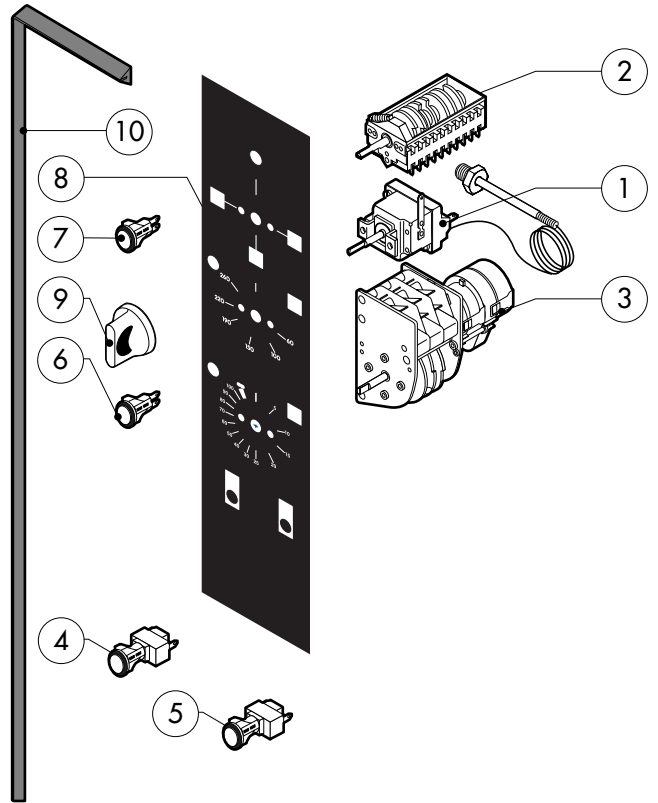
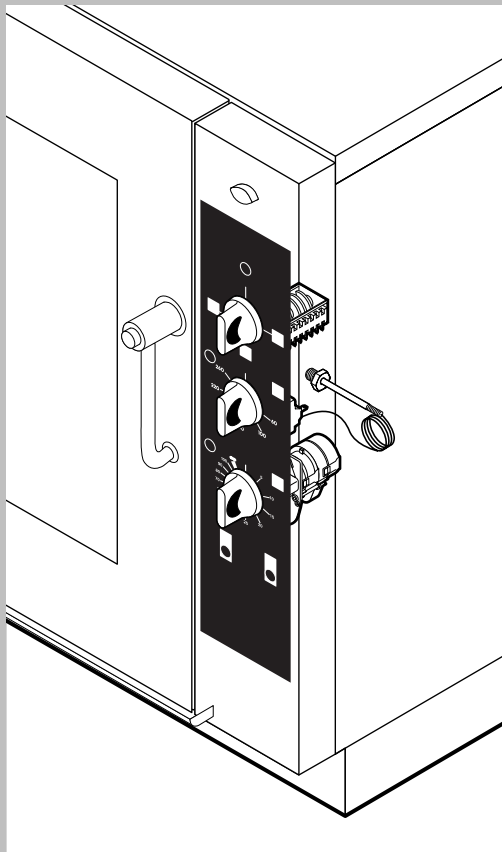
*COMPONENT SUBMITTED TO CHANGEMENTS CAUSED BY TENSION DIFFERENT FROM THE STANDARD [3N AC400V 50HZ]



| POS. | CODE | PIECES | DESCRIPTION |
|------|------------|--------|---|
| 1 | R10201700 | 1 | DRAIN FILTER |
| 2 | R58003600 | 1 | CHAMBER VENT ROD |
| 3 | R69010410 | 1 | STEAM OUTLET KNOB |
| 4 | R04403460 | 1 | CHAMBER VENT PLATE Ø 46 |
| 5 | *R65011540 | 1 | CHAMBER HEATING ELEMENT 7500W |
| 6 | R62090478 | 2 | ELBOW MIDDLE PIPE FITTING D.10 |
| 7 | R70070060 | 1 | PE D.10 MM X7 WATER FLEXIBLE PIPE (2 MT LONG) |
| | | | |
| | | | |
| | | | |
| | | | |
| | | | |
| | | | |
| | | | |
| | | | |
| | | | |
| | | | |
| | | | |
| | | | |
| | | | |
| | | | |
| | | | |
| | | | |
| | | | |
| | | | |
| | | | |
| | | | |

| POS. | CODE | PIECES | DESCRIPTION |
|------|------|--------|-------------|
| | | | |
| | | | |
| | | | |
| | | | |
| | | | |
| | | | |
| | | | |
| | | | |
| | | | |
| | | | |
| | | | |
| | | | |
| | | | |
| | | | |
| | | | |
| | | | |
| | | | |
| | | | |
| | | | |
| | | | |
| | | | |
| | | | |
| | | | |
| | | | |
| | | | |
| | | | |
| | | | |
| | | | |
| | | | |
| | | | |

*COMPONENT SUBMITTED TO CHANGEMENTS CAUSED BY TENSION DIFFERENT FROM THE STANDARD [3N AC400V 50HZ]



| POS. | CODE | PIECES | DESCRIPTION |
|------|-----------|--------|-----------------------------|
| 1 | R65070360 | 1 | CABINET THERMOSTAT 0°/300°C |
| 2 | R65080010 | 1 | MAIN SELECTOR SWITCH |
| 3 | R65090020 | 1 | TIMER |
| 4 | R65260600 | 1 | SWITCH |
| 5 | R65260610 | 1 | HUMIDIFIER PUSH BUTTON |
| 6 | R65270150 | 2 | ORANGE INDICATING LIGHT |
| 7 | R65270160 | 1 | GREEN INDICATING LIGHT |
| 8 | R67013400 | 1 | PLATE |
| 9 | R69030170 | 3 | KNOB |
| 10 | R70044250 | 1 | CONTROL PANEL GASKET |
| | | | |
| | | | |
| | | | |
| | | | |
| | | | |
| | | | |
| | | | |
| | | | |
| | | | |
| | | | |
| | | | |

| POS. | CODE | PIECES | DESCRIPTION |
|------|------|--------|-------------|
| | | | |
| | | | |
| | | | |
| | | | |
| | | | |
| | | | |
| | | | |
| | | | |
| | | | |
| | | | |
| | | | |
| | | | |
| | | | |
| | | | |
| | | | |
| | | | |
| | | | |
| | | | |
| | | | |
| | | | |
| | | | |
| | | | |
| | | | |