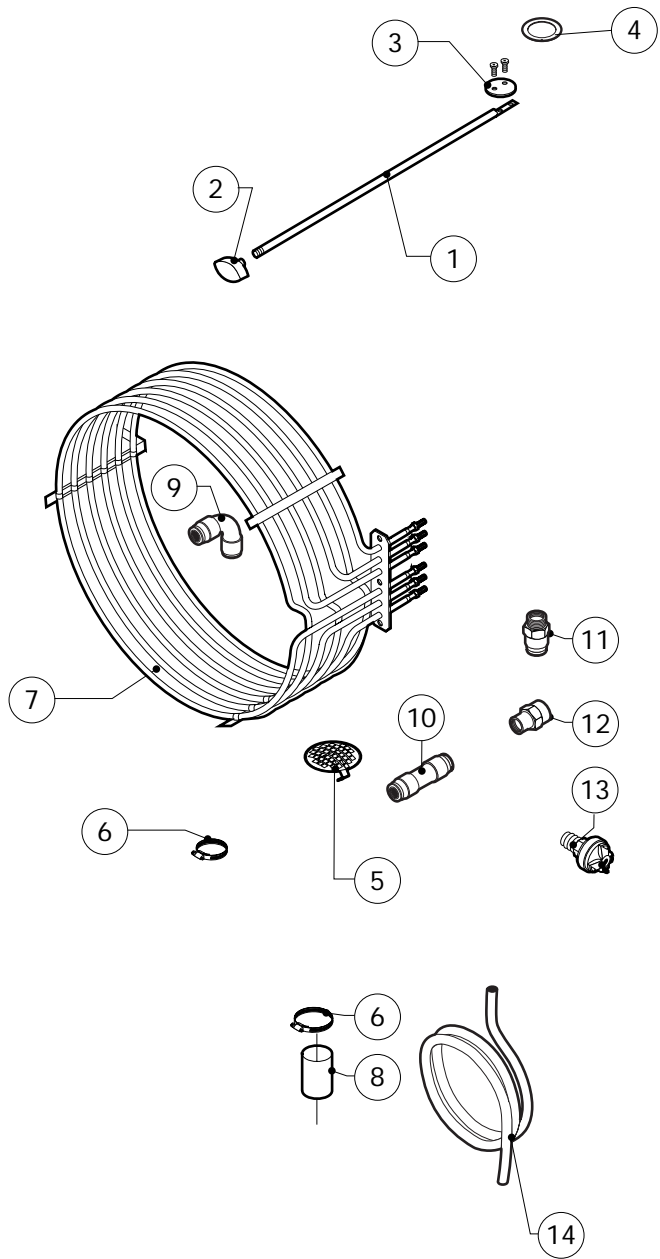
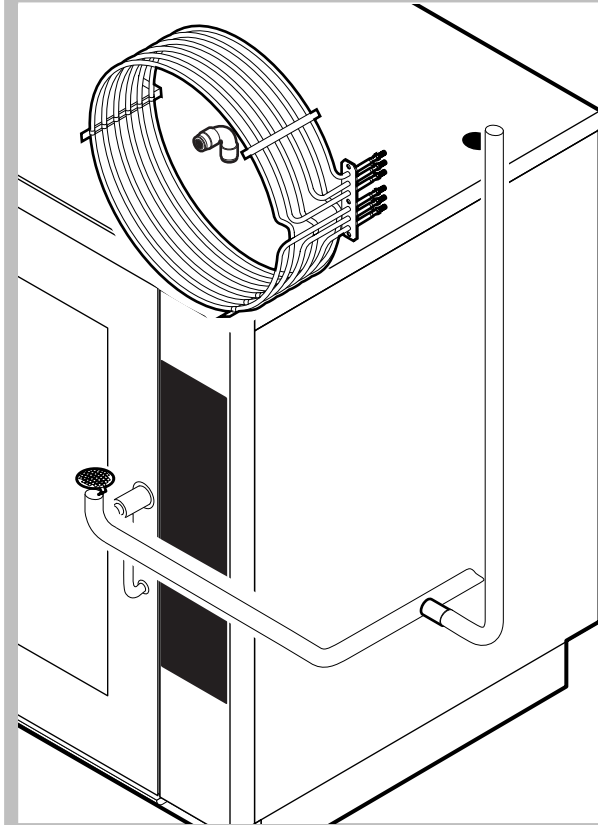


POS.	CODE	PIECES	DESCRIPTION
1	R18203970	1	DOOR
2	R18203950	1	INNER DOOR PANEL
3	R71201510	1	INNER DOOR GLASS
4	R58001760	2	INNER GLASS SOLID HINGE
5	R58001770	2	INNER GLASS HINGE PIN
6	R58001780	2	INNER GLASS CATCH KIT
7	R11401340	2	TOP "C" PROFILE
8	R18203910	1	LOWER SUPPORT GLASS
9	R18203920	1	TOP SUPPORT GLASS
10	R18404500	1	LOWER DOOR HINGE
11	R58002520	1	LOWER HINGE PIN
12	R11200560	1	UPPER DOOR HINGE
13	R58002150	1	HINGE PIN
14	R58004050	2	NUT FOR UPPER DOOR HINGE
15	R10401710	1	WASHER FOR UPPER DOOR HINGE
16	R70050100	6	GLASS SILICON SPACERS
17	R70044150	1	GLASS GASKET
18	R66110320	1	DOOR LAMPS CABLE SET
19	R11401440	1	LAMP COVER
20	R71500150	1	GLASS LAMP
21	R70044200	1	LAMP GASKET

POS.	CODE	PIECES	DESCRIPTION
22	R11401450	1	GLASS HOLDER LAMP FLANGE
23	R65270020	1	LIGHT 20W 12V G4
24	R65270450	1	LIGHT SOCKET
25	R65260750	1	LAMPS CONTACT BLOCK
26	R66110300	1	LAMPS CONTACT CABLE SET
27	R69015000	1	DOOR HANDLE ASSEMBLY
28	R09200230	1	DOOR HANDLE
29	R10100110	1	PRONG FLANGE
30	R58003240	1	DOOR HANDLE BUTTON ROD
31	R58004270	1	DOOR HANDLE SPACER
32	R58004830	1	RING NUT M18x1
33	R58005050	1	DOOR HANDLE PRONG
34	R58005340	1	DOOR HANDLE LOWER INSULATION WASHER
35	R58005350	1	DOOR HANDLE UPPER INSULATION WASHER
36	R61620012	1	DOOR HANDLE CATCH SPRING
37	R61620041	1	DOOR HANDLE BUTTON SPRING
38	R69031190	1	DOOR HANDLE PUSH BUTTON
39	R58002160	1	DOOR HANDLE PRONG PIN
40	R18202020	1	DOOR HANDLE PRONG COUPLER

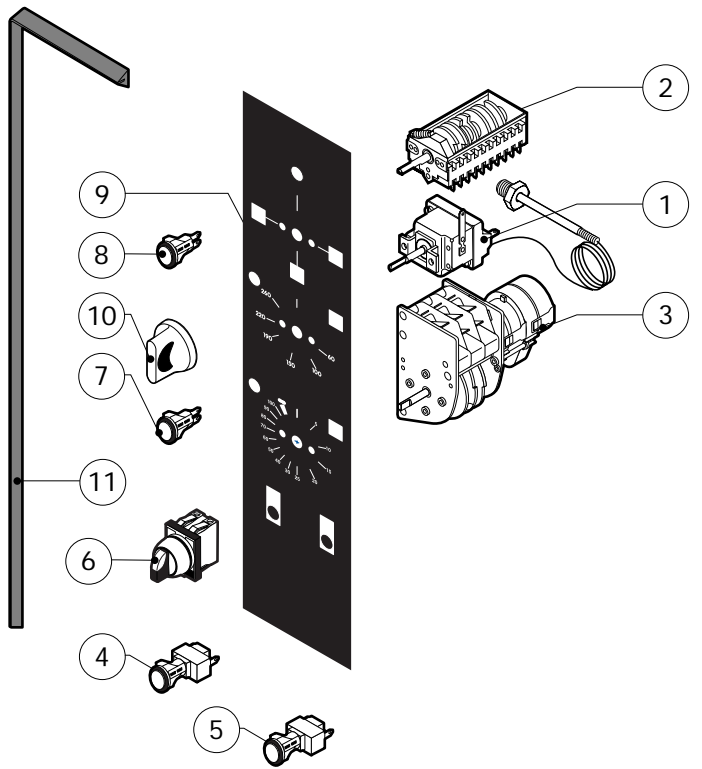
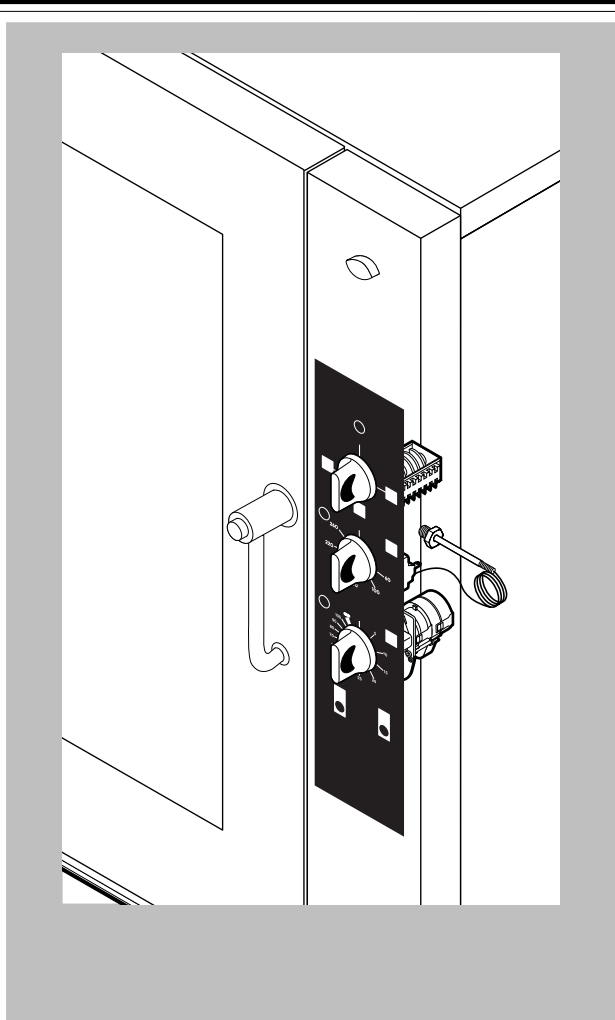




POS.	CODE	PIECES	DESCRIPTION
1	R58006760	1	CHAMBER VENT ROD
2	R69010410	1	STEAM OUTLET KNOB
3	R11429380	2	CHAMBER VENT PLATE
4	R70050130	1	DAMPER SYSTEM CAP GASKET
5	R10201710	1	DRAIN FILTER
6	R61630021	2	METAL CLAMPS 30-45/9
7	*R65011310	1	CHAMBER HEATING ELEMENT 15000W
8	R70060010	1	SILICON COUPLING Ø 30
9	R62090478	6	ELBOW MIDLING PIPE FITTING D.10
10	R62090458	1	STRAIGHT MIDLING PIPE FITTING D.10
11	R62090508	1	10X1/4 STRAIGHT THREADED TERMINAL PIPE FITTING
12	R62030118	1	1/8"-1/4" FEMALE REDUCTION COUPLING
13	R63070050	1	WATER SAFETY PRESSURE SWITCH 1/8" 0,5-0,35 BAR
14	R70070050	1	PE D.10 MM X7 WATER FLEXIBLE PIPE (3 MT LONG)

POS.	CODE	PIECES	DESCRIPTION

\*COMPONENT SUBMITTED TO CHANGEMENTS CAUSED BY TENSION DIFFERENT FROM THE STANDARD (3N AC400V 50HZ)



POS.	CODE	PIECES	DESCRIPTION
1	R65070360	1	CABINET THERMOSTAT 0/300mC
2	R65080010	1	MAIN SELECTOR SWITCH
3	R65090020	1	TIMER
4	R65260600	1	SWITCH
5	R65260610	1	HUMIDIFIER PUSH BUTTON
6	R65080150	1	2 POSITIONS SELECTOR SWITCH
7	R65270150	2	ORANGE INDICATING LIGHT
8	R65270160	1	GREEN INDICATING LIGHT
9	R67013590	1	PLATE "M"
10	R69030170	3	KNOB
11	R70044260	1	CONTROL PANEL GASKET

POS.	CODE	PIECES	DESCRIPTION