

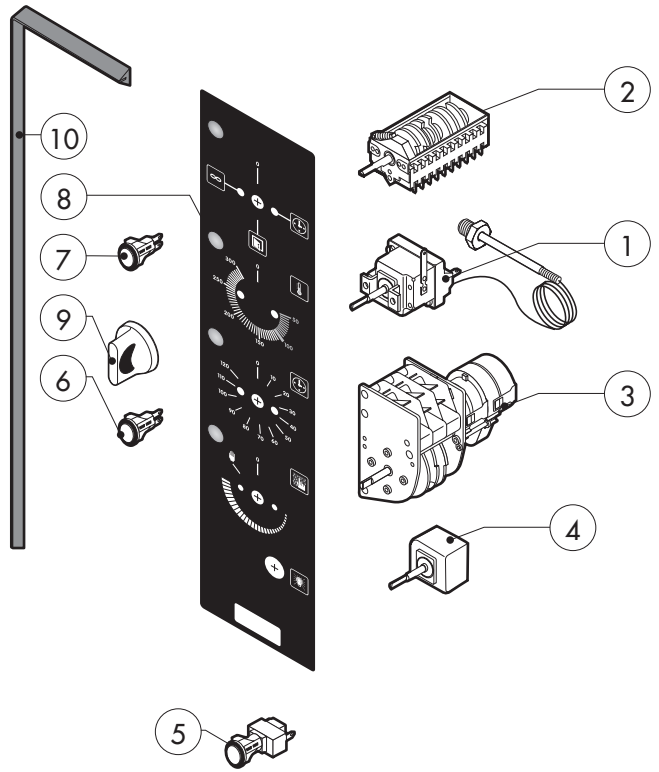
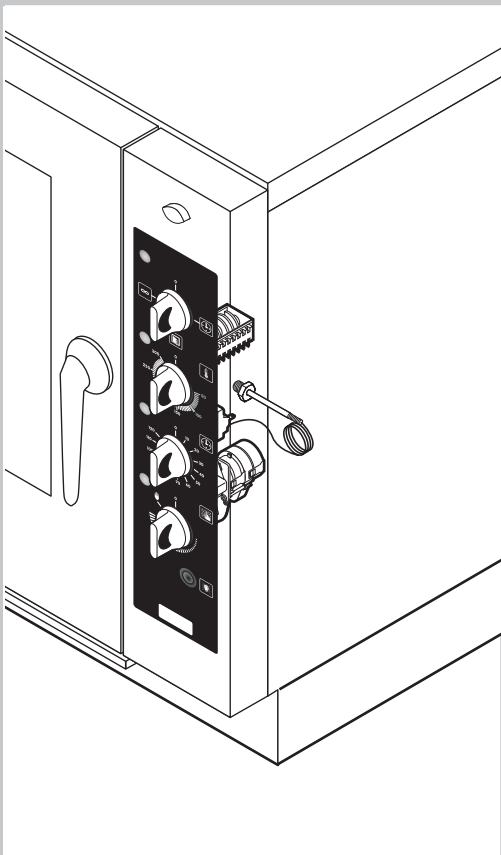
POS.	CODE	PIECES	DESCRIPTION
1	R18200260	1	DRAIN FILTER
2	R58007120	1	CHAMBER VENT ROD
3	R69010410	1	STEAM OUTLET KNOB
4	R18400940	1	CHAMBER VENT PLATE
5	R61630081	2	METAL CLAMPS 20-32/9
6	R65011530	1	CHAMBER HEATING ELEMENT 6000W
7	R70060090	1	SILICON COUPLING Ø 25
8	R62090478	3	ELBOW MIDLING PIPE FITTING D.10
9	R62090458	1	STRAIGHT MIDLING PIPE FITTING D.10
10	R70070070	1	PE D. 10 MM X7 WATER FLEXIBLE PIPE (1 MT LONG)

POS.	CODE	PIECES	DESCRIPTION

*COMPONENT SUBMITTED TO CHANGEMENTS CAUSED BY TENSION DIFFERENT FROM THE STANDARD (3N AC 400V 50HZ)

Serie New

EDIZIONE 0211



POS.	CODE	PIECES	DESCRIPTION
1	R65070360	1	CABINET THERMOSTAT 0°/300°C
2	R65080010	1	MAIN SELECTOR SWITCH
3	R65090020	1	TIMER
4	R65080250	1	ENERGY REGULATOR
5	R65260420	1	HUMIDIFIER PUSH BUTTON
6	R65270300	3	ORANGE INDICATING LIGHT
7	R65270320	1	GREEN INDICATING LIGHT
8	-	1	PLATE
9	R69030130	4	KNOB
10	R70044250	1	CONTROL PANEL GASKET

POS.	CODE	PIECES	DESCRIPTION