

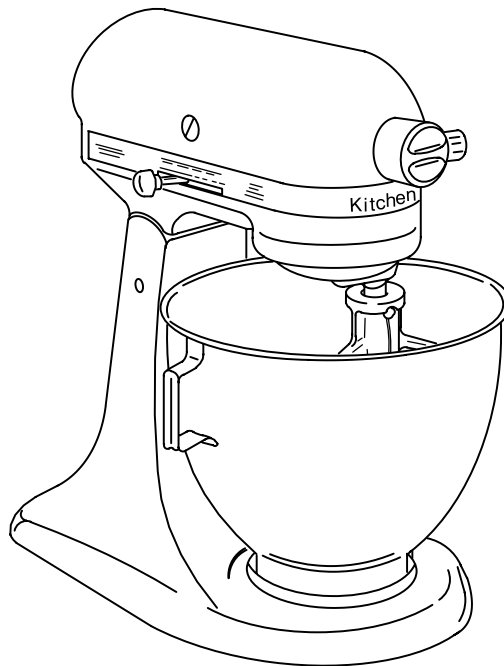
PARTS LIST

for

KitchenAid®

INTERNATIONAL PART NUMBERS ITALICIZED

MIXER VARIATIONS OF KSM90, KSM103, AND KSM110 SOLID STATE



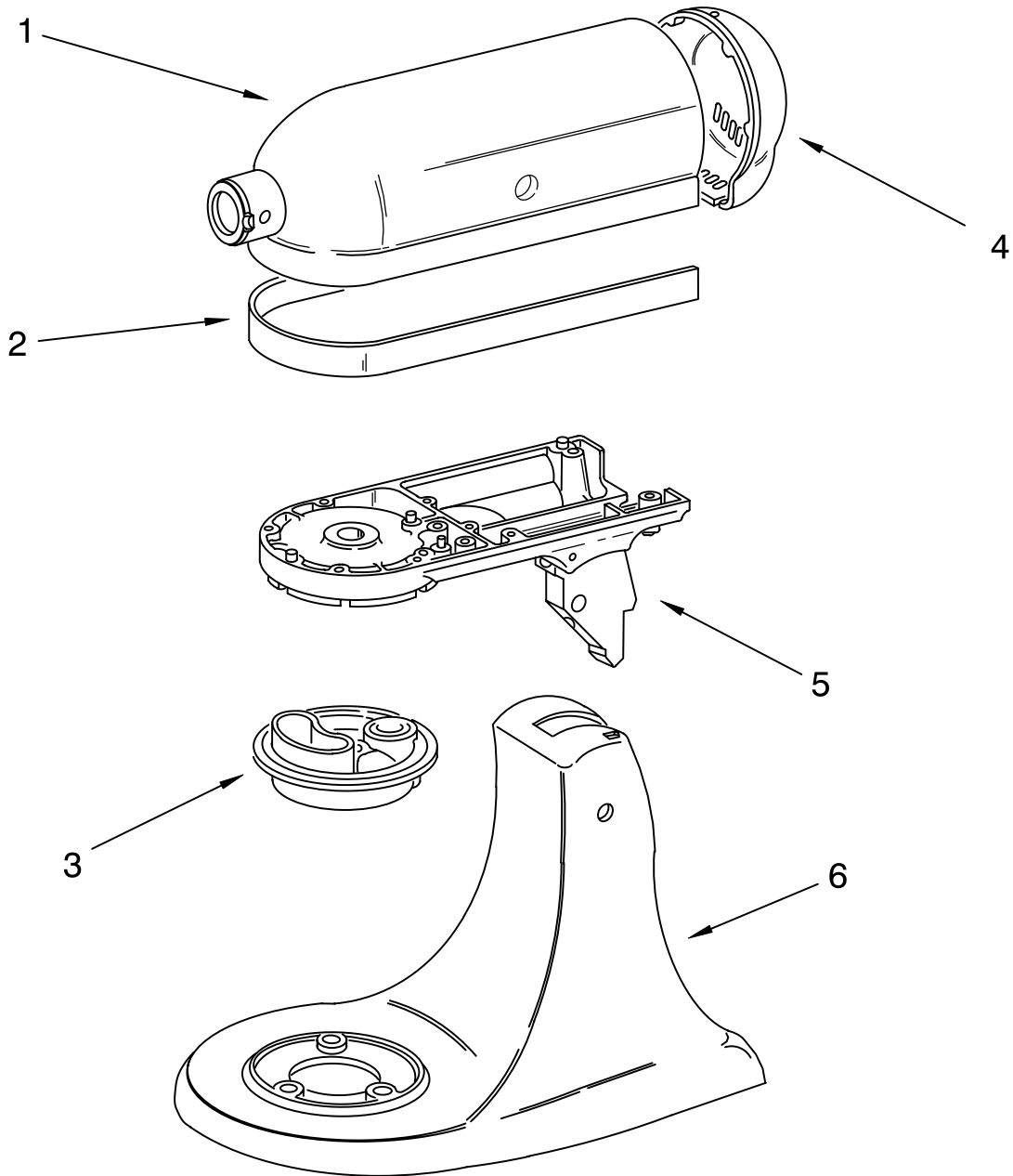
KITCHENAID



ST. JOSEPH MICHIGAN 49085

COLOR VARIATION PARTS

For Models:KSM90, KSM103, & KSM110



FOR ORDERING INFORMATION REFER TO PARTS PRICE LIST

COLOR VARIATION PARTS

For Models:KSM90, KSM103, & KSM110

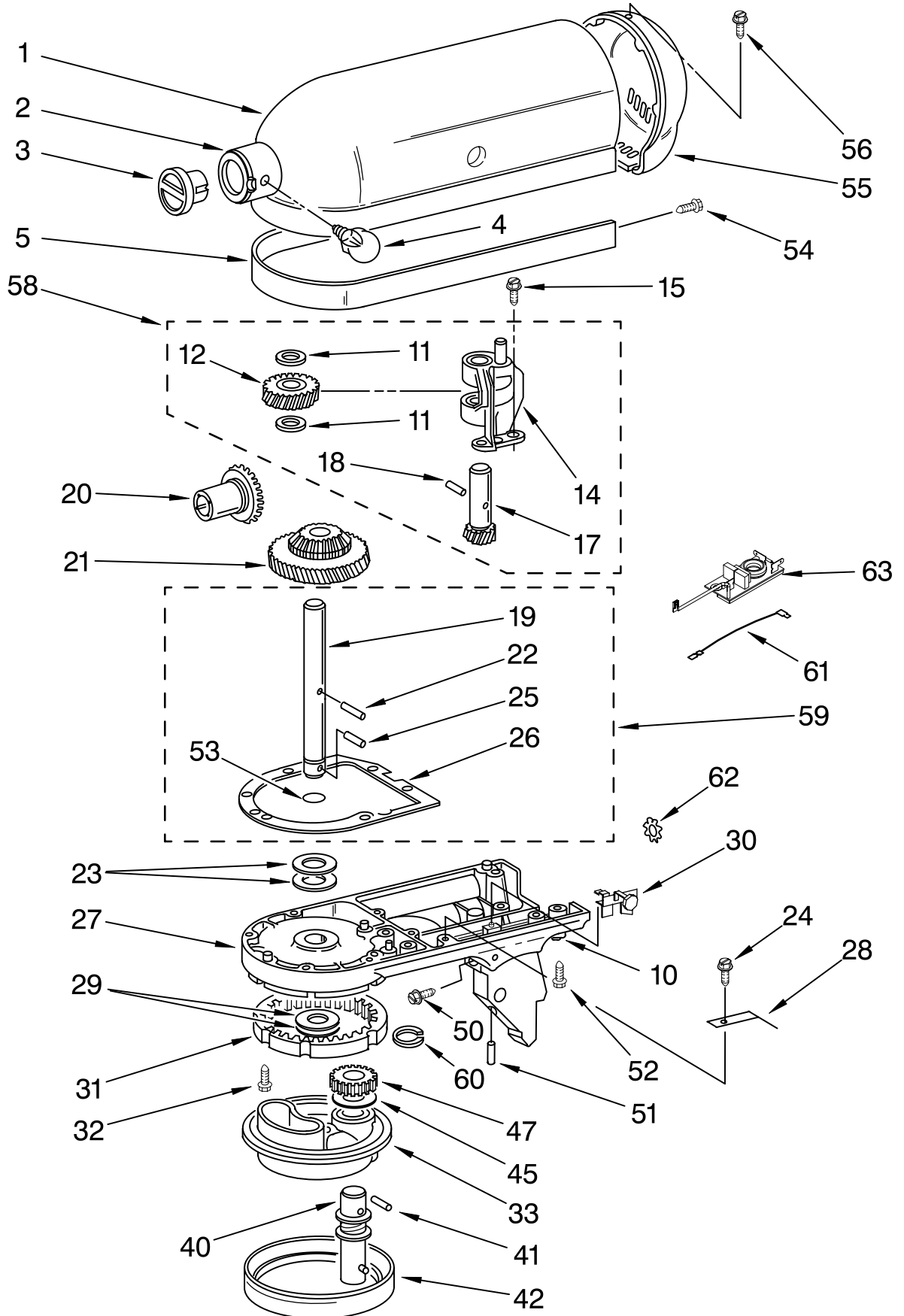
Illus. No.	Part No.	DESCRIPTION	Illus. No.	Part No.	DESCRIPTION	Illus. No.	Part No.	DESCRIPTION
1	240291-1	Motor Housing White	4	240253-1	End Cover White	6	240151-1	Pedestal White
	9704752	Satin Copper		9704757	Satin Copper		3184273	White
	240291-7	Cobalt Blue		240253-8	Cobalt Blue		9704747	Satin Copper
	9706270	Nickel		9706268	Nickel		240151-8	Cobalt Blue
	9706461	Nickel		4176449	Metallic Chrome		9701768	Cobalt Blue
	9704004	Metallic Chrome		9704029	Metallic Chrome		9706264	Nickel
	9704025	Metallic Chrome		240253-23	Imperial Gray (Crinkle)		9706457	Nickel
	240291-22	Imperial Gray (Crinkle)		240253-14	Onyx Black		9704000	Metallic Chrome
	240291-13	Onyx Black		240253-11	Empire Green		9707189	Metallic Chrome
	240291-10	Empire Green		240253-16	Almond Creme		240151-21	Imperial Gray (Crinkle)
	240291-16	Almond Creme		4176224	Royal Crimson		9703247	Imperial Gray
	4176227	Royal Crimson		240253-22	Empire Red		240151-13	Onyx Black
	240291-21	Empire Red		240253-21	Majestic Yellow		3184275	Onyx Black
	240291-20	Majestic Yellow		9706469	Pink		240151-11	Empire Green (Domestic & Japan)
	9706473	Pink		4176339	Chrome		9701769	Empire Green
	4176337	Chrome		4176449	Black Chrome		240151-15	Almond Creme
	9704004	Black Chrome		4176449	KSM103 And KSM110		9703248	Almond Creme
	9704004	KSM103 & KSM110		9705241	Caviar		4176229	Royal Crimson
	9705243	Caviar	5	240350-4	Lower Gearcase White		240151-20	Empire Red
2		Trim Band United States		9701393	White (United Kingdom)		9703245	Empire Red
	9702645	Black on Silver		240350-20	White on White (Japan)		240151-19	Majestic Yellow
	9702633	Chrome & KSM110 Models		9704749	Satin Copper		9703246	Majestic Yellow
	9704530	White		240350-31	Cobalt Blue		9706467	Pink
	9702635	White (KSM90PSWH)		9701420	Cobalt Blue		9707362	Pink
	9701264	White on White		9706269	Nickel		4176335	Chrome
	9701468	Almond Creme International & Taiwan		9706459	Nickel		9701767	Chrome
	9704643	Black on Silver		9704002	Metallic Chrome		9704000	Black Chrome
	9704641	White Swiss		9707219	Metallic Chrome		9704000	KSM103 & KSM110
	9704655	Black on Silver		240350-86	Imperial Gray (Crinkle)		9705237	Caviar
	9704653	White Japan		240350-56	Onyx Black			
	9705180	Black on Silver		240350-46	Empire Green			
	9705182	White Australia		9701422	Empire Green (International)			
	9704498	Black on Silver		240350-74	Empire Green (Japan)			
3		Planetary		240350-62	Almond Creme			
	240286-1	White		4176221	Royal Crimson			
	9704755	Stain Copper		240350-84	Empire Red			
	240286-10	Cobalt Blue		240350-91	Empire Red			
	9706271	Nickel		240350-82	Majestic Yellow			
	9704006	Metallic Chrome		240350-93	Majestic Yellow			
	9706670	Metallic Chrome		9706471	Pink			
	240286-24	Imperial Gray (Crinkle)		9707364	Pink			
	240286-16	Onyx Black		9701398	Chrome			
	240286-13	Empire Green		9704002	Black Chrome			
	240286-18	Almond Creme		9704002	KSM103 And KSM110			
	4176226	Royal Crimson		9705242	Caviar			
	240286-23	Empire Red						
	240286-22	Majestic Yellow						
	9706475	Pink						
	4176338	Chrome						
	9704006	Black Chrome						
	9704006	KSM103 & KSM110						
	9705244	Caviar						

Availability of All Colors Subject to Change. Any Color Not Listed is No Longer Available. If Additional Colors Are Added, This Page Will Be Updated.

FOR ORDERING INFORMATION REFER TO PARTS PRICE LIST

CASE, GEARING AND PLANETARY UNIT

For Models: KSM90, KSM103, & KSM110



FOR ORDERING INFORMATION REFER TO PARTS PRICE LIST

CASE, GEARING AND PLANETARY UNIT

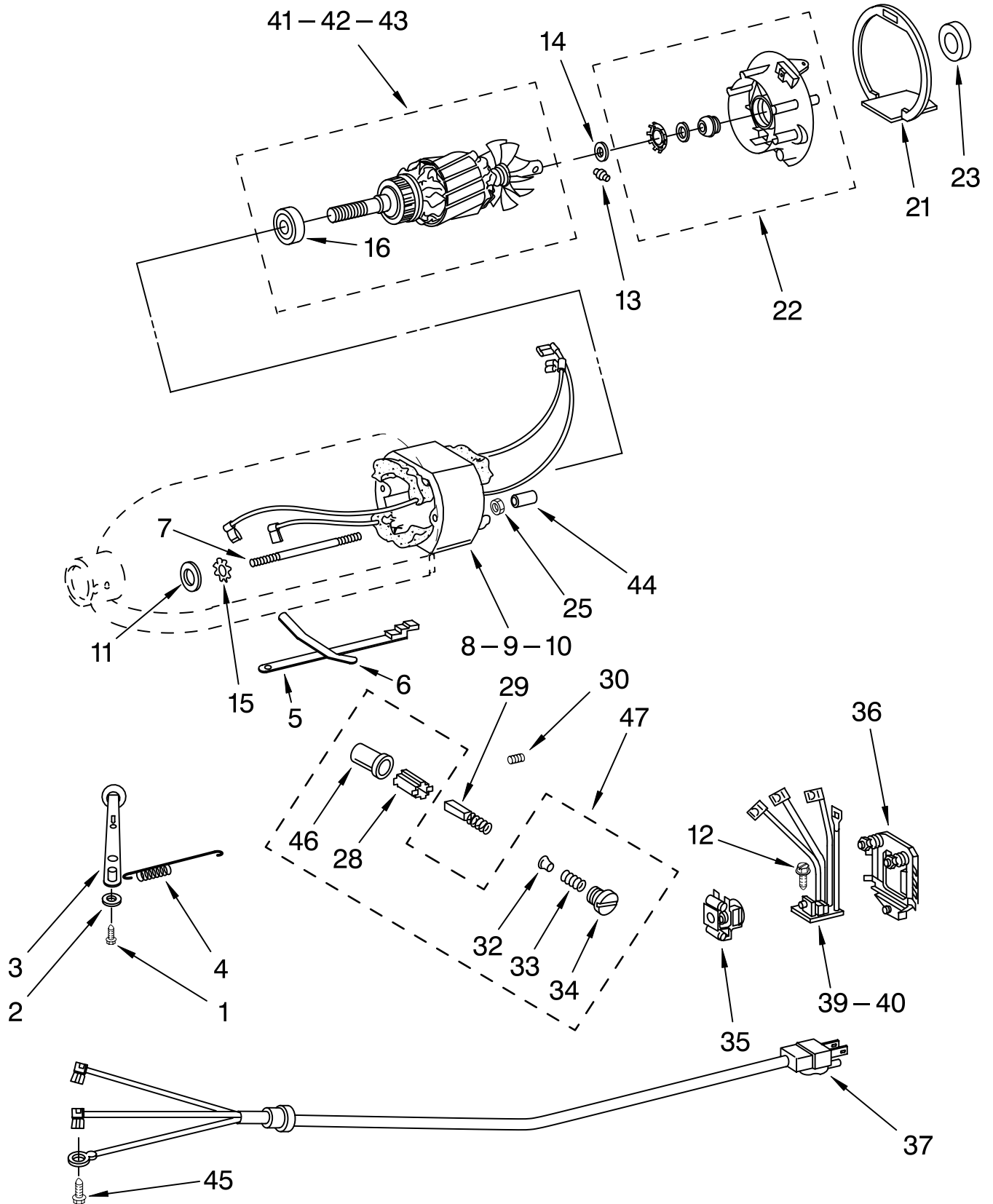
For Models:KSM90, KSM103, & KSM110

Illus. No.	Part No.	DESCRIPTION	Illus. No.	Part No.	DESCRIPTION	Illus. No.	Part No.	DESCRIPTION
1	**	Gearcase Motor Housing (Includes Illus 2)	22	240018-1	Pin (Vertical Center Shaft)	47	9703903	Pinion, Gear (18T) (Agitator Shaft)
2	4159709	Ring, Attachment Hub	23	3180163	Washer, Fiber Black, Gray	50	4160413	Screw, Adjusting
3		Cap, Attachment Hub	24	4176022	Screw <i>(International)</i>	51	4159264	Set Screw, 1/4"-28 X 3/8" Hdls., Cup Pt.
	242765-2	Chrome	25	9705443	Pin, Grooved	52	3400025	Machine Screw, 10-24 X 1 Fil. Head
	242765-4	White	26	4162324	Gasket, Transmission Case	53	67500-55	"O" Ring
4		Thumb Screw	27	**	Lower Gear Case	54	4159430	Screw, Self Tapping 6-32 X 1/4" Phil. Pan Hd. Type F
	4162142	Black	28	9701864	Spring Flat <i>(International)</i>	55	**	Cover, End
	240374-2	White (Storm Gray)	29	3180163	Washer, Fiber Black, Gray	56	4162914	Screw, 6-32 X 3/8 Phil. Oval Hd.
	240374-3	Buff	30	9701866	Headlock Assembly <i>(International)</i>	58	240309-2	Worm Gear Bracket And Gear (10 T & 23 T) (Incls. Illus 11 thru 14 17 & 18)
5	**	Band, Trim	31	9703904	Gear, Internal	59	4160474	Center Shaft & "O" Ring (Incls. Illus. 19,22,25,26, & 53)
10	4159479	Lock Washer, #10 Light	32	103994	Screw, Special (5)	60	9703438	Ring
11	3180161	Washer, Fiber Black, Gray	33	**	Planetary	61	9702311	Lead, Filter to Control Board
12	4162897	Worm Gear (23T)	40	4176067	Agitator Shaft (Includes Illus. 60)	62	3400900	Lockwasher
14	240308	Worm Gear Bracket And Bearing		3184052	Agitator Shaft (Includes Cup) <i>(International)</i>	63	9706789	Filter, RFI
15	3400022	Screw And L.W. Assy. #10-24 X 7/16" Phil. Fil. Hd. (3)	41	240018-1	Pin (Agitator Shaft Pinion)		9705132	Taiwan
17	240210-2	Shaft & Pinion (10T)	42	240285	Ring, Planetary Drip			
18	9705444	Pin, Grooved		240285-2	Polished			
19	240026	Shaft, Vertical Center	45	3180160	Washer, Shim (.015" Thk.) (.031" Thk.)			
20	9705130	Gear, Attachment Hub Bevel (23T)						
21	9703905	Bevel Pinion (19T) & Center Gear (62T)						

FOR ORDERING INFORMATION REFER TO PARTS PRICE LIST

MOTOR AND CONTROL PARTS

For Models: KSM90, KSM103, & KSM110



FOR ORDERING INFORMATION REFER TO PARTS PRICE LIST

MOTOR AND CONTROL PARTS

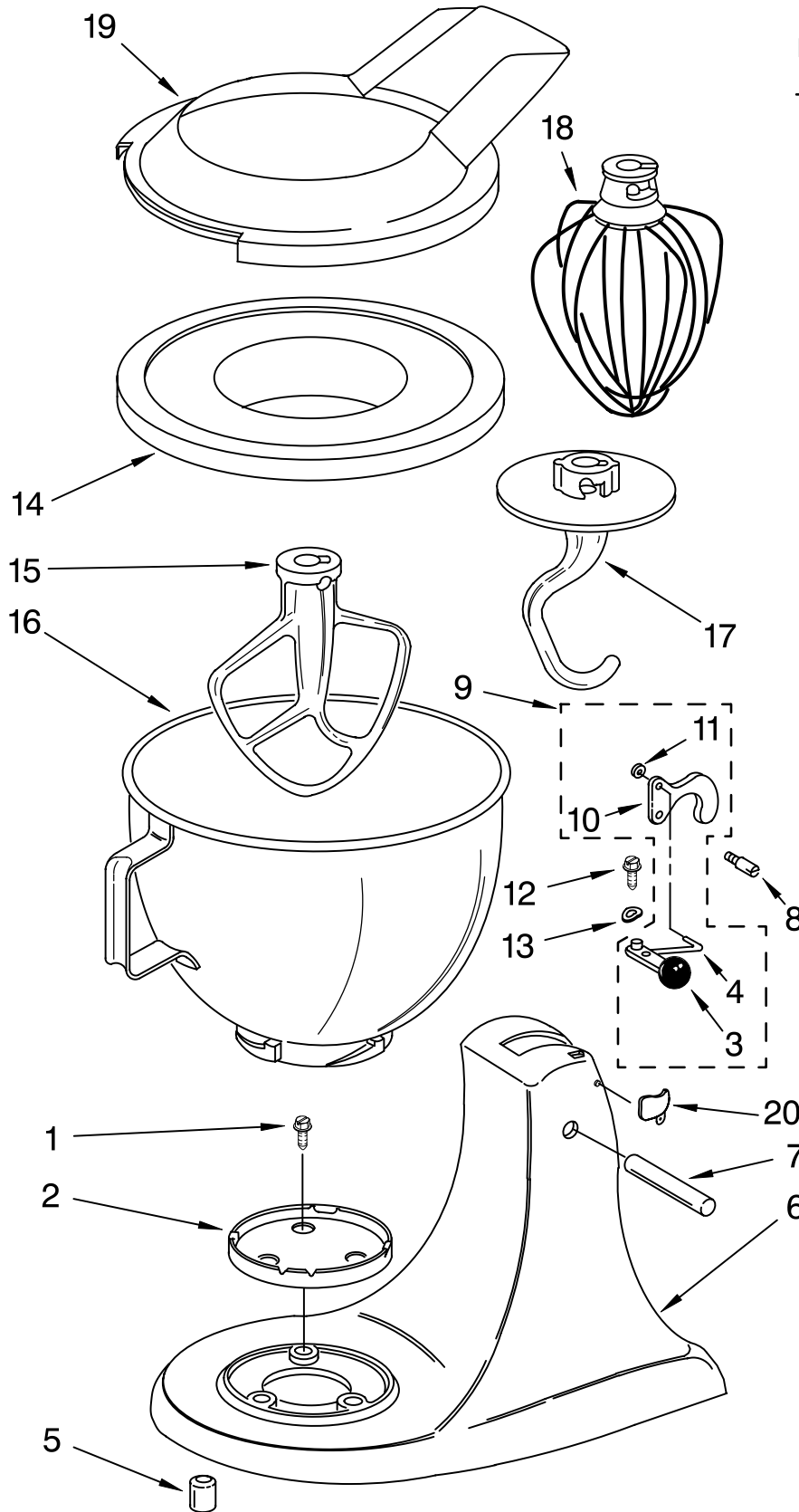
For Models:KSM90, KSM103, & KSM110

Illus. No.	Part No.	DESCRIPTION	Illus. No.	Part No.	DESCRIPTION	Illus. No.	Part No.	DESCRIPTION
1	110679	Screw, Pivot	35	17830	Governor Assembly	OPTIONAL PARTS		
2	116241	Washer, Spring	36	240904-2	Control Plate Assembly	OPTIONAL ATTACHMENTS, ACCESSORIES AND SERVICE ITEMS		
3		Switch Lever And Stud	37		Cord & Plug White	4164839		Speed Disc (Service Tool)
	3184193	Black		9701025	United States	4160588		Grease, Planetary
	3184194	Storm Grey		9702318	International	4164778		Mixer Attachment Pak (Includes Food Grinder (FG-A), Food Strainer (FVSP), And Vegetable Slicer, (RVS-A) (FPP-A))
	3184195	Buff		9704389	Swiss			
4	3183680	Spring, Control Plate		9702314	United Kingdom			
	3183690	International		9702368	Australia			
5	3184176	Speed Link & Cam			Black			
6	4162035	Spring, Flat		9701026	United States			
7	240769	Screw, Stator		9702319	International			
8	9702695	Field Assembly (Must Use With Item # 41) 120 Volts		9704390	Swiss			
				9702315	United Kingdom			
9	9701670	Field Assembly (International) (Must Use With Illus. 42) (230 Volts)		9706755	Taiwan	4164749		Food Grinder (FG-A)
				9704812	Japan	4164751		Grain Mill (GM-A)
10	4176217	Field Assembly (Japan) (Must use with Item 13) (100 Volts)	39	9706595	Phase Control Board (120 Volt)	4164768		Pasta Maker And Food Grinder (Includes SNP Pasta Maker Plates) (SN/FG-A)
						4164775		Fruit/Vegetable Strainer Parts (Use With FG-A Model Only) (FVSP)
11	9704324	Washer, Bearing	40	9706596	Phase Control Board (230 Volt)	4164750		Rotor Slicer/Shredder (With 4 Standard Cones) Fine Shredder, Coarse Shredder, Thick Slicer, And Thin Slicer (RVS-A)
12	3400402	Screw, Self Tapping 4-40 X 5/16" Phil. Pan Hd. Type TT	41	9708315	Armature & Bearing (120 V.) Domestic & Taiwan) (Must use with Illus. 8)	3177975		Pouring Shield (KPS2CL)
			42	9708316	Armature & Bearing (230 Volt) (Must use with Item 9)	4164824		Pasta Maker Plates (SNP-A)
13	16998	Stud, Governor Drive	43	9708314	Armature & Bearing (Japan) (Must Use with Item 10) (100 Volts)	4164774		Fruit/Vegetable Strainer And Food Grinder (FVS/FG-A)
14	3180162	Washer, Spacing				3180617		Cover, Decorative (Cotton Polyester)
15	3400900	Washer				4162838		Food Tray (FT)
16	9708320	Ball Bearing				4164748		Juicer (JE)
21	240775-1	Seal, End				4164747		Can Opener (CO)
	3184356	International				4164803		Sausage Stuffer Kit (SSA)
22	3180526	Bracket, Bearing Asm.	44	4162634	Sleeve, Motor Stud	3177924		Bowl Cover, Plastic Non-Sealing
23	3180238	Washer, Felt	45	3184609	Screw, Ground Tapping (10-24 X 1/4") Phil.	4163337		Bowl, Stainless With Handle
25	8533905	Nut, Machine Hex (10-24)	46	3179908	Housing, Brush Holder	3180262		Bowl, 3 Qt. (KSM103 & KSM110)
28	240680	Insert, Brush Holder	47	4162546	Brush Holder (Incls. Illus. 28, 32, 33, 34, & 46)	4162160		Bowl, Satin Stainless
29	9706416	Brush, Carbon						
30	9707926	Set Screw, 10-24 X 1/4" Hds. Cup Pt						
32	116286	Cap, Spring Seat						
33	116287	Spring, Cap						
34		Cap, Brush Holder						
	3184212	Black						
	3184211	White						
	3184213	Almond Creme						

FOR ORDERING INFORMATION REFER TO PARTS PRICE LIST

BASE AND PEDESTAL UNIT

For Models: KSM90, KSM103, & KSM110



Illus. No.	Part No.	DESCRIPTION
1	3400020	Screw 10-24 X 1/2" Phil. Flat Hd. Type F
2	4163032	Screw Cap Kit
3	4176024	Lever, Latch Black
	3184178	Black
4	242928-2	White (Storm Gray)
4	24450	Link, Latch
5	115792	Foot, Base
6	**	Pedestal
7	16910	Pin, Hinge
8	103993	Screw, Latch Bearing
9	24452-2	Latch, Link & Lever (Incls. Illus. 3, 4, 10 & 11)
	3184200	International
10	4162206	Latch
11	4159598	Washer
12	110679	Screw, Pivot
13	116241	Washer, Spring
14	4176018	Cover, Bowl
15	9707669	Beater, Flat
16	4163336	Bowl And Base (4 1/2 Qt.)
17	9707671	Dough Hook
18	9704329	Wire Whip
19	9706633	Pouring Shield Professional Mod.
	4176452	International
20	9706633	Head Lock (International)
	3184262	White
	3184264	Black

LITERATURE PARTS

Guide, Use And
Care
LIT9707917 United States
LIT9705170 (International)
LIT9705125 Japan
LIT8204542 Repair Parts List

FOR ORDERING INFORMATION REFER TO PARTS PRICE LIST