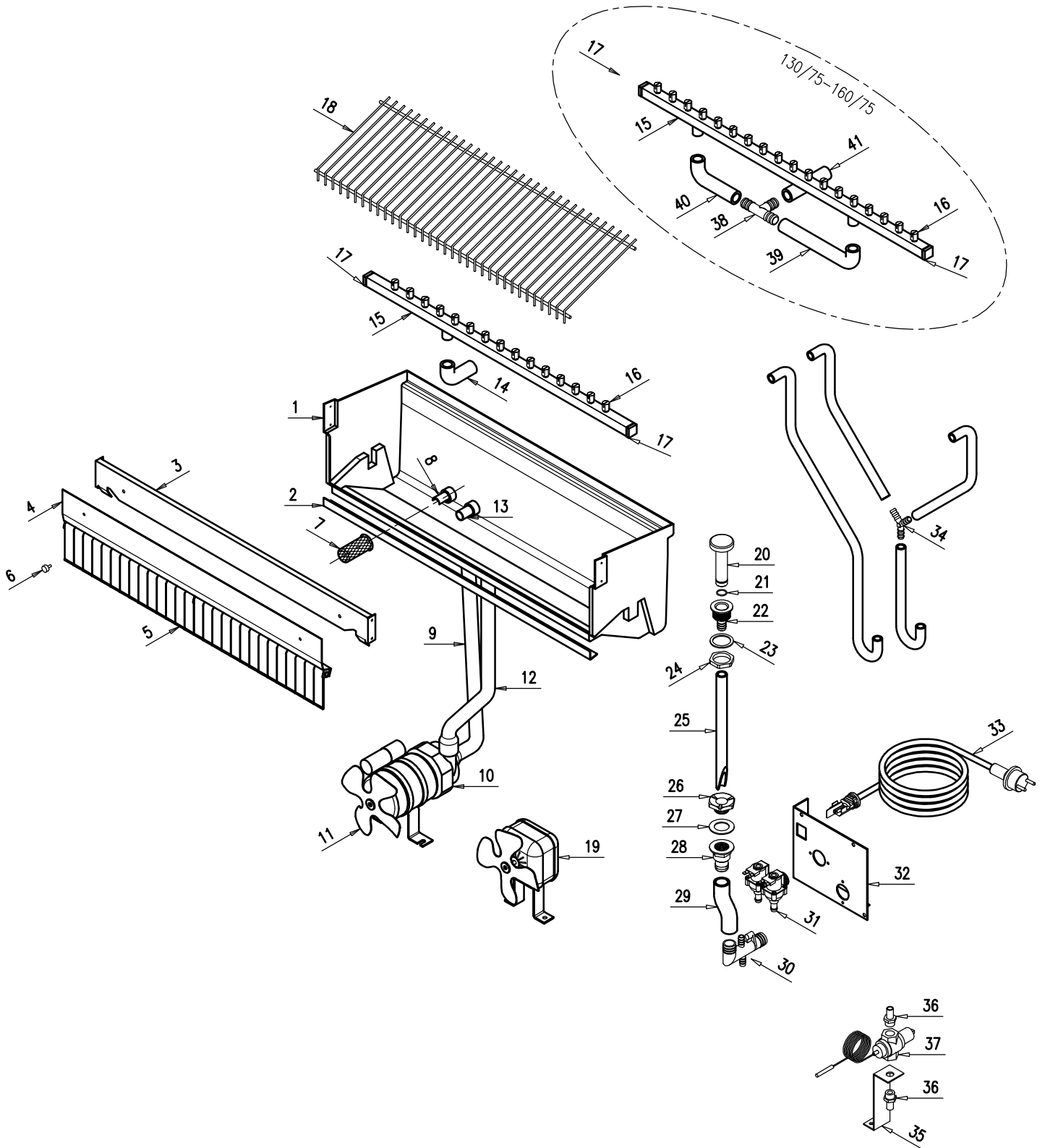
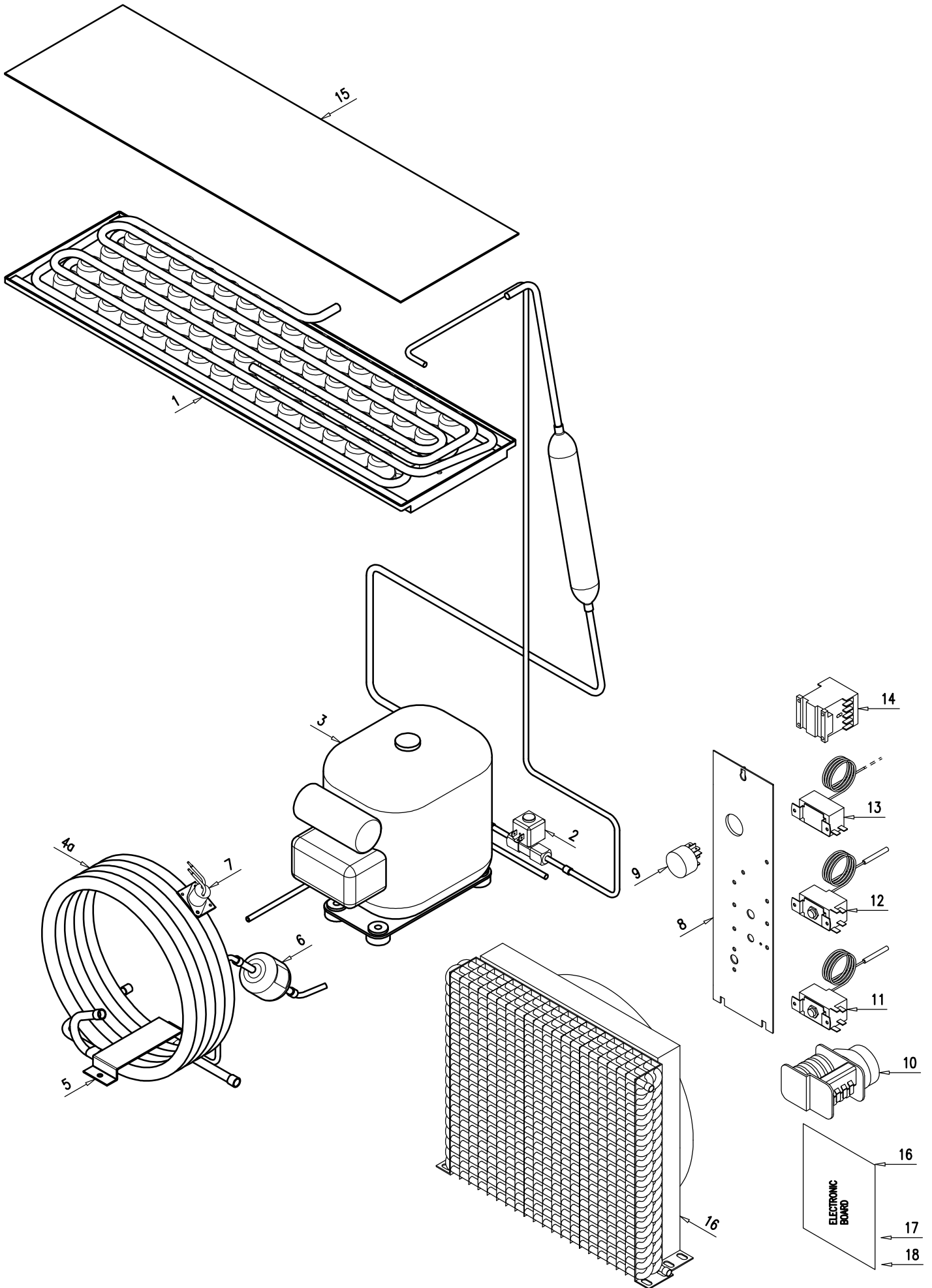


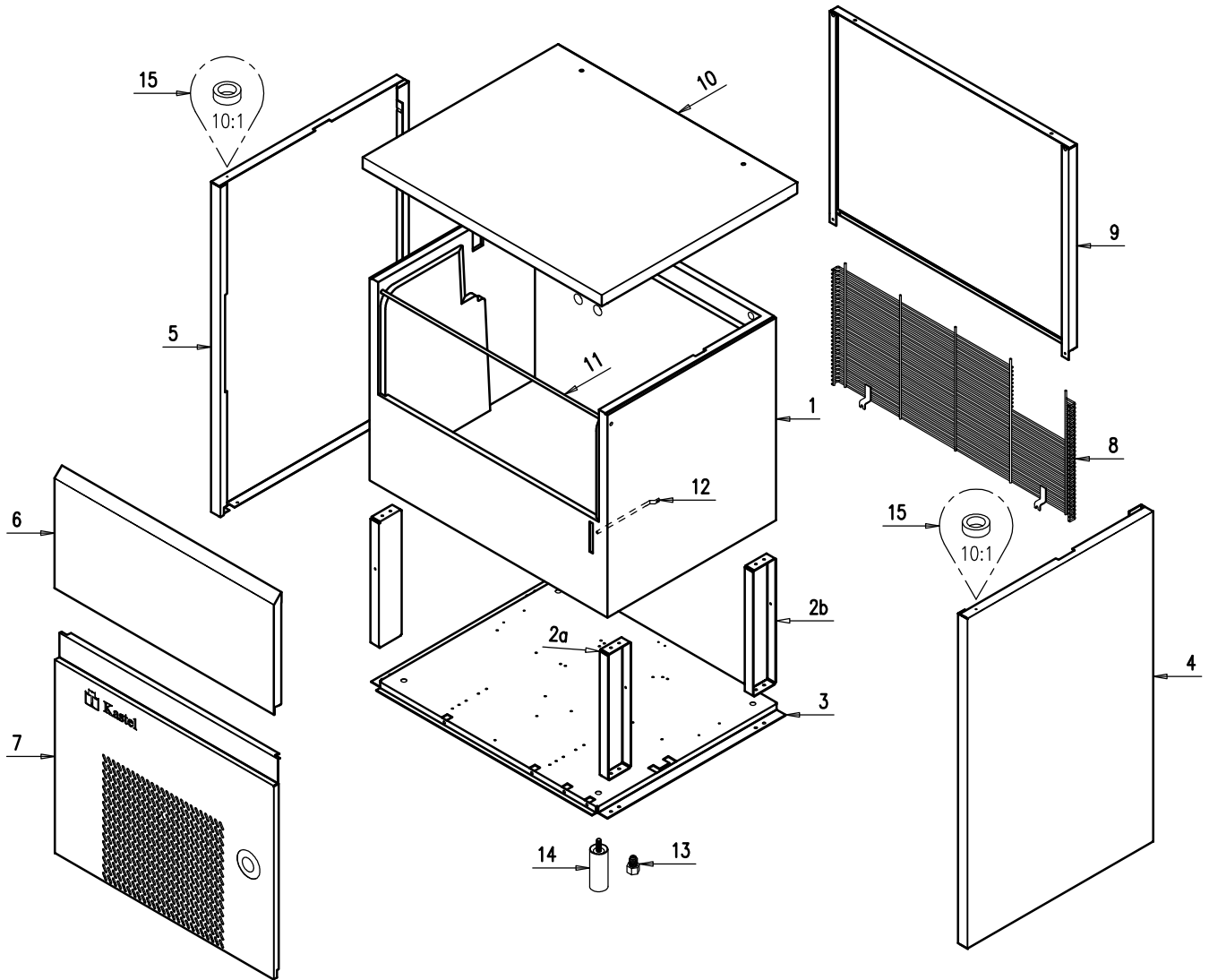
IMPIANTO IDRICO WATERWORKS



IMPIANTO REFRIGERANTE COOLING SYSTEM



MANTELLATURA BODY



IMPIANTO IDRICO - WATER SYSTEM										
POS.	DESCRIZIONE	INGLESE	NOTE	20/4	23/5	32/15	37/25	63/30	80/30	140/70
1	Vaschetta	Tank		K00800	K00149	K00144	K00144	K00045	K00045	K00300
2	Supporto vaschetta	Tank support		/	K00152	K00121	K00121	K00036	K00036	K00439
3	Traversino evaporatore	Evaporator support		K00817	K00151	K00120	K00120	K00041	K00041	K00320
4	Ass. pannello bandierine	Flag support assembly		K00826	K00225	K00653	K00653	K00556	K00556	K00227
5	Bandierine	Flag		K00008	K00008	K00008	K00008	K00008	K00008	K00008
6	Nottolino (nr.2)	Pawl		K00013	K00013	K00013	K00013	K00013	K00013	K00013
7	Filtro aspirazione	Suction filter		K00012	K00012	K00012	K00012	K00012	K00012	K00012
8	Anello aspirazione	Suction ring		K00058	K00058	K00058	K00058	K00058	K00058	K00058
9	Manicotto aspirazione	Suction pipe		K00823	K00185	K00142	K00198	K00072	K00072	K00218
10	Ass. pompa	Pump assembly	W	K01530	K00553	K00553	K00553	K00553	K00553	K01164
	Ass. pompa	Pump assembly	A		K01302					
11	Ventola	Fan	W	/	K01023	K01023	K01023	K01023	K01023	K01023
	Ventola	Fan	A		K01301					
12	Manicotto mandata	Inlet pipe		K00824	K00184	K00141	K00197	K00109	K00109	K00217
13	Anello mandata	Inlet ring		K00057	K00057	K00057	K00057	K00057	K00057	K00057
14	Manicotto rampa	Bar pipe		K00048	K00048	K00048	K00048	K00048	K00048	/
15	Rampa	Sprayers bar assembly		K01496	K00287	K00289	K00289	K00291	K00291	K00465
16	Ugello	Sprayers		K00220	K00220	K00220	K00220	K00220	K00220	K00220
17	Tappo (nr.2)	Plug		K00527	K00527	K00527	K00527	K00527	K00527	K00527
18	Scivolo	Chute		K00847	K00292	K00293	K00293	K00294	K00294	K00463
19	Ventilatore	Fan motor assembly	W	K01083	/	/	/	K01083	K01083	K01083
			A	K01380	/	/	/	/	/	/
20	Troppopieno	Overflow assembly		K01317	K01317	K01317	K01317	K01317	K01317	K01317
21	Guarnizione	Gasket		K01125	K01125	K01125	K01125	K01125	K01125	K01125
22	Piletta troppopieno	Overflow drain		K00006	K00006	K00006	K00006	K00006	K00006	K00006
23	Guarnizione	Gasket		K00536	K00536	K00536	K00536	K00536	K00536	K00536
24	Ghiera	Ring nut		K01126	K01126	K01126	K01126	K01126	K01126	K01126
25	Tube troppopieno	Overflow pipe		/	/	K00542	K00543	K00540	K00540	K00545
26	Dado piletta	Drain screw nut		K00004	K00004	K00004	K00004	K00004	K00004	K00004
27	Guarnizione	Gasket		K00003	K00003	K00003	K00003	K00003	K00003	K00003
28	Tronchetto piletta	Drain stub pipe		K00039	K00039	K00039	K00039	K00039	K00039	K00039
29	Manicotto scarico	Drain pipe		K00110	K00110	K00110	K00110	K00110	K00110	K00110
30	Raccordo scarico	Nipple water outlet	W	K00578	K00578	K00578	K00578	K00578	K00578	K00578
	Raccordo scarico	Nipple water outlet	A	K00001	K00001	K00001	K00001	K00001	K00001	K00001
31	Elettrovalvola	Watervalve	W	K01045	K01045	K00204	K00204	K01322	K01322	K01046
	Elettrovalvola	Watervalve	A	K01212	K01212	K01213	K01213	K01213	K01213	K01214
32	Supp.idroelettrico	Hydroelectrical support		K00822	K00030	K00030	K00030	K01146	K01146	K01146
33	Cavo alimentazione	Cable		K01324	K01324	K01324	K01324	K01324	K01324	K01324
34	Raccordo a 3 vie (Ø 10)	Wye		/	/	/	/	K00010	K00010	K00010
35	Supporto valvola	Valve support	W	/	/	/	/	/	/	K00330
36	Raccordo (W) (nr.2)	Nipple	W	/	/	/	/	/	/	K01160
37	Valvola pressostatica	Pressure valve	W	/	/	/	/	/	/	K00497
38	Raccordo a 3 vie (Ø 17)	Union tee		/	/	/	/	/	/	K00230
39	Manicotto rampa	Bar pipe		/	/	/	/	/	/	K00445
40	Manicotto rampa	Bar pipe		/	/	/	/	/	/	K00444
41	Manicotto	Pipe		/	/	/	/	/	/	K00311

MANTELLATURA - BODY										
POS.	DESCRIZIONE	INGLESE	NOTE	20/4	23/5	32/15	37/25	63/30	80/30	140/70
1	Scocca schiumata	Foamed body		K00812	K00471	K00469	K00468	K00466	K00466	K00473
2a	Angolare dx. (nr.2)	right angle		K00155	K00155	K00126	K00126	K00052	K00052	K00446
2b	Angolare sin. (nr.2)	Left angle		K00704	K00704	K00703	K00703	K00702	K00702	K00706
3	Basamento	Base assembly		K00803	K00154	K00123	K00123	K00550	K00550	K00549
4	Mantello dx	Right panel	INOX	K00805	K00180	K00131	K00192	K00060	K00060	K00451
5	Mantello sx	Left panel	INOX	K00804	K00181	K00130	K00193	K00061	K00061	K00452
6	Sportello	Door	INOX	K00816	K00241	K00245	K00245	K00249	K00249	K00456
7	Sottoporta	Front panel	INOX	K00811	K00182	K00136	K00194	K00063	K00063	K00455
8	Griglia posteriore	Back grid		K00844	K00173	K00195	K00195	K00065	K00065	K00450
9	Pannello posteriore	Back panel		K00810	K00178	K00134	K00191	K00059	K00059	K00448
10	Capottina	Top assembly	INOX	K01393	K01135	K01176	K01176	K01129	K01129	K01167
11	Traversino porta	Door support		K00834	K00273	K00274	K00274	K00275	K00275	K00224
12	Pozzetto	Thermostat pocket		K00896	K00895	K00043	K00043	K00043	K00043	K00043
13	Piedino (nr.4)	Foot		K01086	K01086	/	/	/	/	/
14	Piedino (nr.4)	Foot		/	/	K01574	K01574	K01341	K01341	K01341
15	Bussola	Bush		K01148	K01148	K01148	K01148	K01148	K01148	K01148

IMPIANTO REFRIGERANTE - COOLING SYSTEM										
POS.	DESCRIZIONE	INGLESE	NOTE	20/4	23/5	32/15	37/25	63/30	80/30	140/70
1	Evaporatore	Evaporator		K00295	K00295	K00296	K00296	K00297	K00297	K00505
2	Elettrovalvola gas	Hot gas valve		K01531	K01531	K01531	K01531	K01531	K01531	K01532
3	Compressore	Compressor		K00200	K01186	K00085	K00085	K00205	K00206	K00476
4	Ass. Condensatore	Water condenser ass.	W	K00278	K00112	K00147	K00147	K00017	K00017	K00333
5	Supporto condensatore	Condenser support	W	K00279	K00113	K00146	K00146	K00029	K00029	K00335
6	Filtro gas	Gas filter		K00199	K00199	K00199	K00199	K00081	K00081	K00478
7	Termostato sicurezza	Safety thermostat	W	K00076	K00076	K00076	K00076	K00076	K00076	K00076
8	Pannello elettrico	Electric panel		K00808	K00119	K00119	K00119	K00049	K00049	K00049
9	Interruttore	On-off switch		K00082	K00082	K00082	K00082	K00082	K00082	K00082
10	Timer	Timer		K01387	K01387	K01387	K01387	K01387	K01387	K01387
11	Termostato evaporatore	Evaporator thermostat		K00080	K00080	K00080	K00080	K00080	K00080	K00080
12	Termostato ghiaccio	Bin thermostat		K00079	K00079	K00079	K00079	K00079	K00079	K00079
13	Pressostato	Pressure switch		K00077	K00077	K00077	K00077	K00077	K00077	K00077
14	Contattore	Contactore		/	/	/	/	/	/	K00500
15	Riparo evaporatore	Evaporator cover		K00150	K00150	K00118	K00118	K00069	K00069	K00226
16	Ass. Condensatore	Air condenser ass.	A	K01223	K01223	K01225	K01225	K01314	K01314	K01315

W: ACQUA - WATER
A: ARIA - AIR

DATA:19/07/2004 REV.04