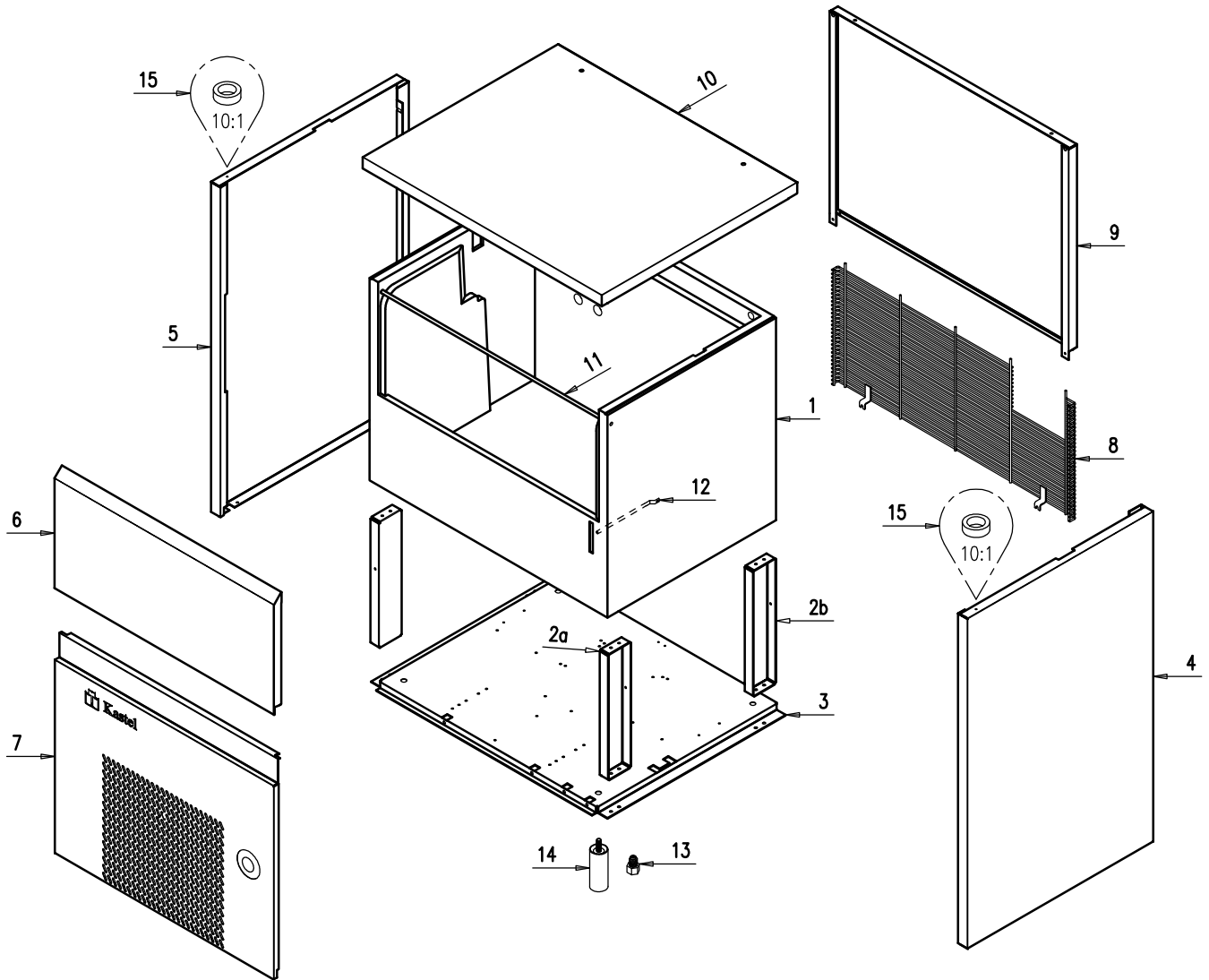
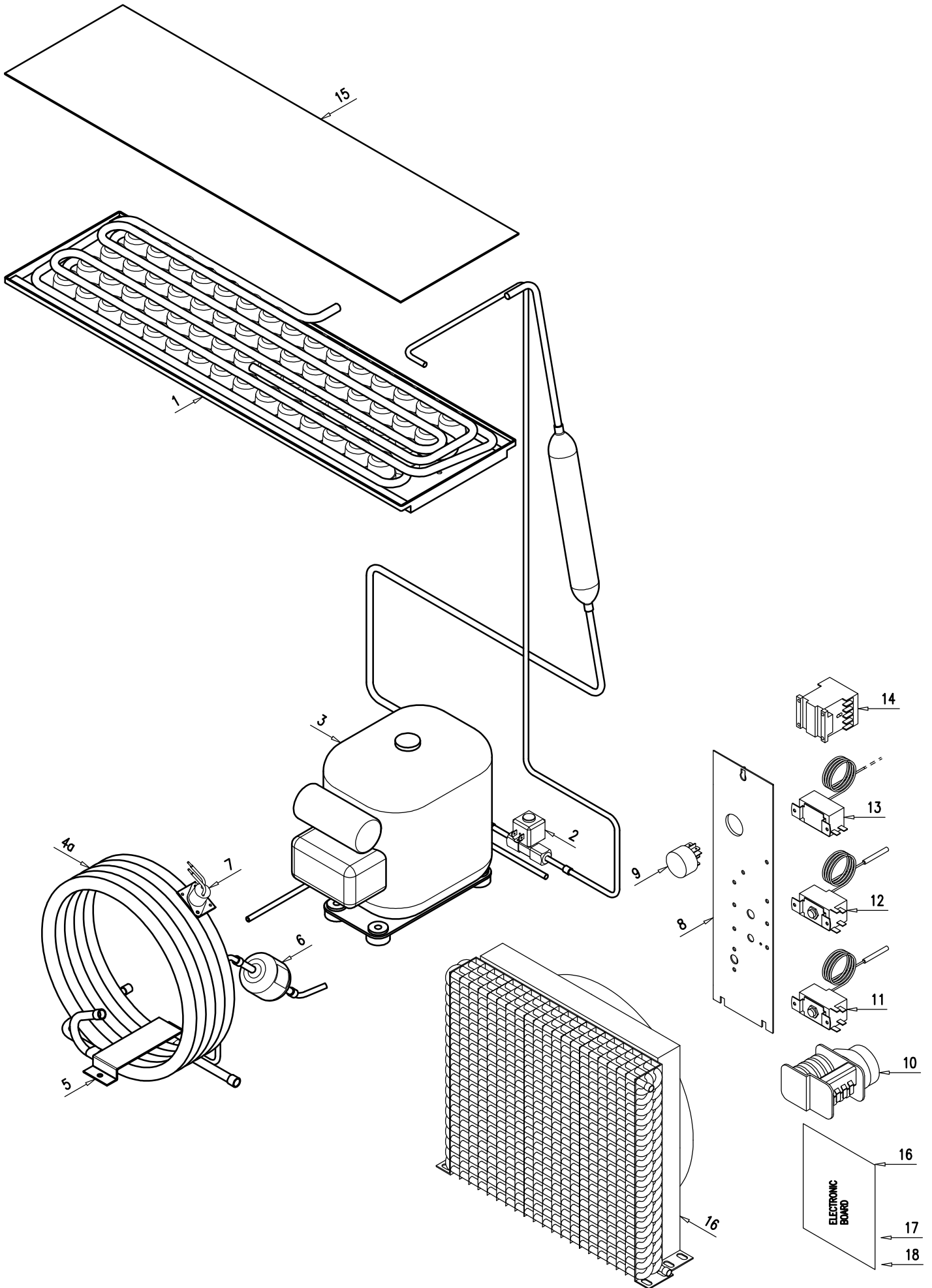


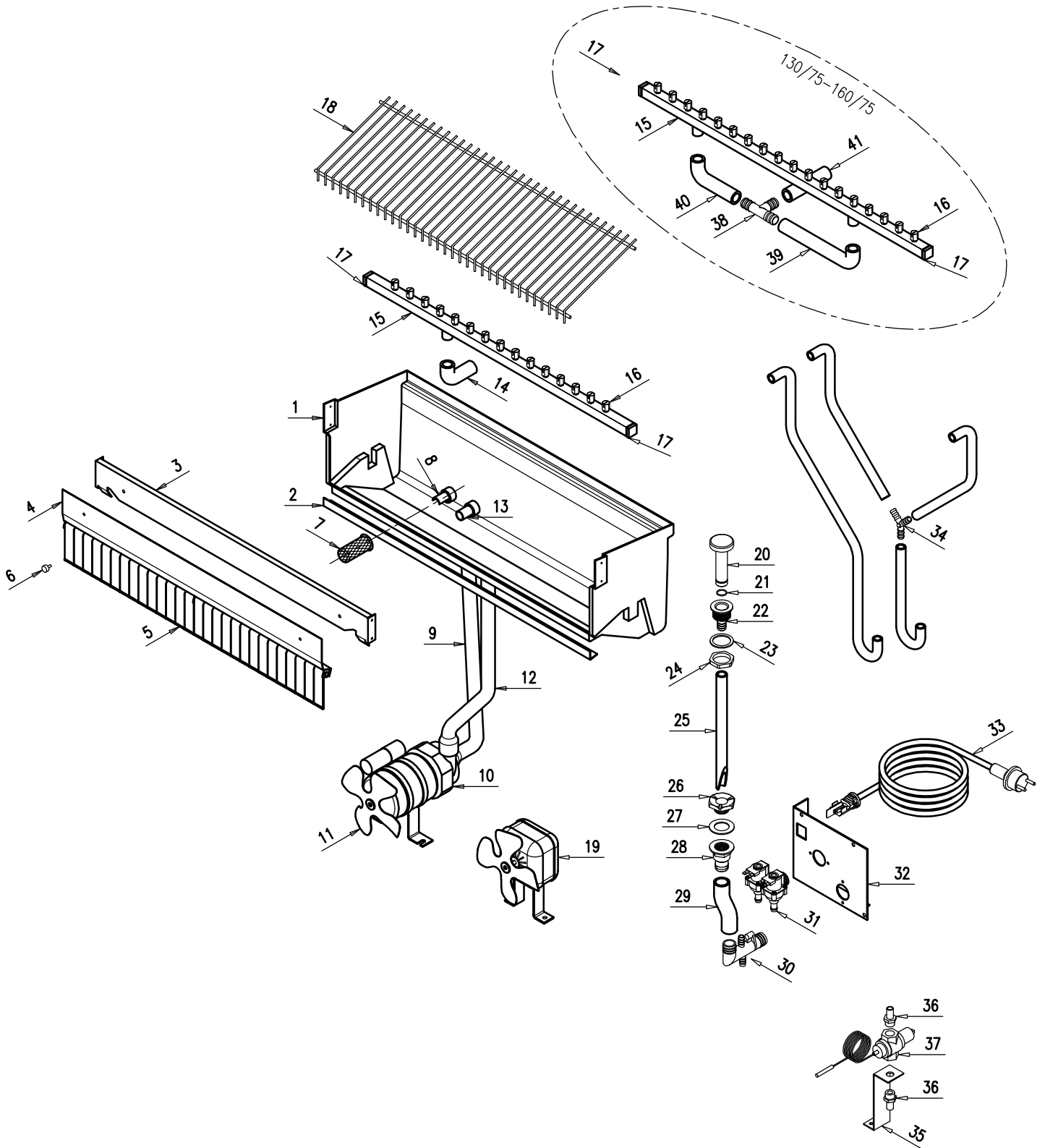
MANTELLATURA BODY



IMPIANTO REFRIGERANTE COOLING SYSTEM



IMPIANTO IDRICO WATERWORKS



MANTELLATURA - BODY									
POS.	DESCRIZIONE	INGLESE	NOTE	30/6	34/10	40/18	45/25	75/40	130/70
1	Scocca schiumata	Foamed body		K00471	K00470	K00469	K00468	K00466	K00473
2a	Angolare dx.	right angle		K00155	K00155	K00126	K00126	K00052	K00446
2b	Angolare sin.	Left angle		K00704	K00704	K00703	K00703	K00702	K00706
3	Basamento	Base assembly		K00154	K00154	K00123	K00123	K00550	K00549
4	Mantello dx	Right panel		K00180	K00166	K00131	K00192	K00060	K00451
5	Mantello sx	Left panel		K00181	K00167	K00130	K00193	K00061	K00452
6	Sportello	Door		K00241	K00241	K00245	K00245	K00249	K00456
7	Sottoporta	Front panel		K02227	K02229	K02231	K02233	K02233	K02237
8	Griglia posteriore	Back grid		K00173	K00173	K00195	K00195	K00065	K00450
9	Pannello posteriore	Back panel		K00178	K00163	K00134	K00191	K00059	K00448
10	Capottina	Top assembly		K02332	K02332	K02333	K02333	K02334	K02335
11	Traversino porta	Door support		K00273	K00273	K00274	K00274	K00275	K00224
12	Pozzetto	Thermostat pocket		K00895	K00895	K00043	K00043	K00043	K00043
13	Piedino (nr.4)	Foot		K01086	K01086	K01574	K01574	K01341	K01341
14	Bussola	Bush		K01148	K01148	K01148	K01148	K01148	K01148

IMPIANTO REFRIGERANTE - COOLING SYSTEM									
POS.	DESCRIZIONE	INGLESE	NOTE	30/6	34/10	40/18	45/25	75/40	130/70
1	Evaporatore	Evaporator		K00988	K00988	K00974	K00974	K00981	K00505
2	Elettrovalvola gas	Hot gas valve		K01531	K01531	K01531	K01531	K01531	K01532
3	Compressore	Compressor		K01186	K01186	K00202	K00085	K00085	K00476
4	Ass. Condensatore	Water condenser ass.	W	K00112	K00112	K00147	K00147	K00017	K00333
5	Supporto condensatore	Condenser support	W	K00113	K00113	K00146	K00146	K00029	K00335
6	Filtro gas	Gas filter		K00199	K00199	K00199	K00199	K00081	K00478
7	Termostato sicurezza	Safety thermostat	W	K00076	K00076	K00076	K00076	K00076	K00076
8	Pannello elettrico	Electric panel		K02220	K02220	K02220	K02220	K02240	K02240
9	Interruttore	On-off switch		K02508	K02508	K02508	K02508	K02508	K02508
10	Timer	Timer		K01387	K01387	K01387	K01387	K01387	K01387
11	Termostato evaporatore	Evaporator thermostat		K00080	K00080	K00080	K00080	K00080	K00080
12	Termostato ghiaccio	Bin thermostat		K00079	K00079	K00079	K00079	K00079	K00079
13	Pressostato	Pressure switch		K00077	K00077	K00077	K00077	K00077	K00077
14	Contattore	Contactore		/	/	/	/	/	K00500
15	Riparo evaporatore	Evaporator cover		K00150	K00150	K00118	K00118	K00069	K00226
16	Ass. Condensatore	Air condenser ass.	A	K01665	K01665	K01225	K01225	K01313	K01315
17	Scheda elettronica	Electronic board		K01471	K01471	K01471	K01471	K01471	K01471
18	Sonda evaporatore	Evaporatore probe		K01472	K01472	K01472	K01472	K01472	K01472
19	Sonda vasca	Bin probe		K01473	K01473	K01473	K01473	K01473	K01473

IMPIANTO IDRICO - WATER SYSTEM									
POS.	DESCRIZIONE	INGLESE	NOTE	30/6	34/10	40/18	45/25	75/40	130/70
1	Vaschetta	Tank		K00149	K00149	K00144	K00144	K00045	K00300
2	Supporto vaschetta	Tank support		K00152	K00152	K00121	K00121	K00036	K00439
3	Traversino evaporatore	Evaporator support		K00151	K00151	K00120	K00120	K00041	K00320
4	Ass. pannello bandierine	Flag support assembly		K00225	K00225	K00653	K00653	K00556	K00227
5	Bandierine	Flag		K00008	K00008	K00008	K00008	K00008	K00008
6	Nottolino (nr.2)	Pawl		K00013	K00013	K00013	K00013	K00013	K00013
7	Filtro aspirazione	Suction filter		K00012	K00012	K00012	K00012	K00012	K00012
8	Anello aspirazione	Suction ring		K00058	K00058	K00058	K00058	K00058	K00058
9	Manicotto aspirazione	Suction pipe		K00185	K00142	K00142	K00198	K00072	K00218
10	Ass. pompa	Pump assembly	W	K00553	K00553	K00553	K00553	K00553	K01164
	Ass. pompa	Pump assembly	A	K01302	K01302				
11	Ventola	Fan	W	K01023	K01023	K01023	K01023	K01023	K01023
	Ventola	Fan	A	K01301	K01301				
12	Manicotto mandata	Inlet pipe		K00184	K00141	K00141	K00197	K00109	K00217
13	Anello mandata	Inlet ring		K00057	K00057	K00057	K00057	K00057	K00057
14	Manicotto rampa	Bar pipe		K00048	K00048	K00048	K00048	K00048	/
15	Ass. rampa	Sprayers bar assembly		K02215	K02215	K02217	K02217	K02219	K02213
16	Ugello	Sprayers		K01876	K01876	K01876	K01876	K01876	K01876
17	Tappo (nr.2)	Plug		K00527	K00527	K00527	K00527	K00527	K00527
18	Scivolo	Chute		K00991	K00991	K00977	K00977	K00984	K00463
19	Ventilatore	Fan motor assembly	W	/	/	/	/	K01083	K01083
20	Troppopieno	Overflow assembly		K01317	K01317	K01317	K01317	K01317	K01317
21	Guarnizione	Gasket		K01125	K01125	K01125	K01125	K01125	K01125
22	Piletta troppopieno	Overflow drain		K00006	K00006	K00006	K00006	K00006	K00006
23	Guarnizione	Gasket		K00536	K00536	K00536	K00536	K00536	K00536
24	Ghiera	Ring nut		K01126	K01126	K01126	K01126	K01126	K01126
25	Tubo troppopieno	Overflow pipe		/	K00541	K00542	K00543	K00540	K00545
26	Dado piletta	Drain screw nut		K00004	K00004	K00004	K00004	K00004	K00004
27	Guarnizione	Gasket		K00003	K00003	K00003	K00003	K00003	K00003
28	Tronchetto piletta	Drain stub pipe		K00039	K00039	K00039	K00039	K00039	K00039
29	Manicotto scarico	Drain pipe		K00110	K00110	K00110	K00110	K00110	K00110
30	Raccordo scarico	Nipple water outlet	W	K01806	K01806	K01806	K01806	K01806	K01806
	Raccordo scarico	Nipple water outlet	A	K01805	K01805	K01805	K01805	K01805	K01805
31	Elettrovalvola	Water valve	W	K01045	K01045	K00204	K00204	K01322	K01046
	Elettrovalvola	Water valve	A	K01212	K01212	K01213	K01213	K01213	K01214
32	Supp.idroelettrico	Hydroelectrical support		K00030	K00030	K00030	K00030	K01146	K01146
33	Cavo alimentazione	Cable		K01324	K01324	K01324	K01324	K01324	K01324
34	Raccordo a 3 vie (Ø 10)	Wye		/	/	/	/	K00010	K00010
35	Supporto valvola	Valve support	W	/	/	/	/	/	K00330
36	Raccordo (W) (nr.2)	Nipple	W	/	/	/	/	/	K01160
37	Valvola pressostatica	Pressure valve	W	/	/	/	/	/	K00497
38	Raccordo a 3 vie (Ø 17)	Union tee		/	/	/	/	/	K00230
39	Manicotto rampa	Bar pipe		/	/	/	/	/	K00445
40	Manicotto rampa	Bar pipe		/	/	/	/	/	K00444
41	Manicotto	Pipe		/	/	/	/	/	K00311

W: ACQUA - WATER
A: ARIA - AIR

DATA:09/05/2006 REV.01