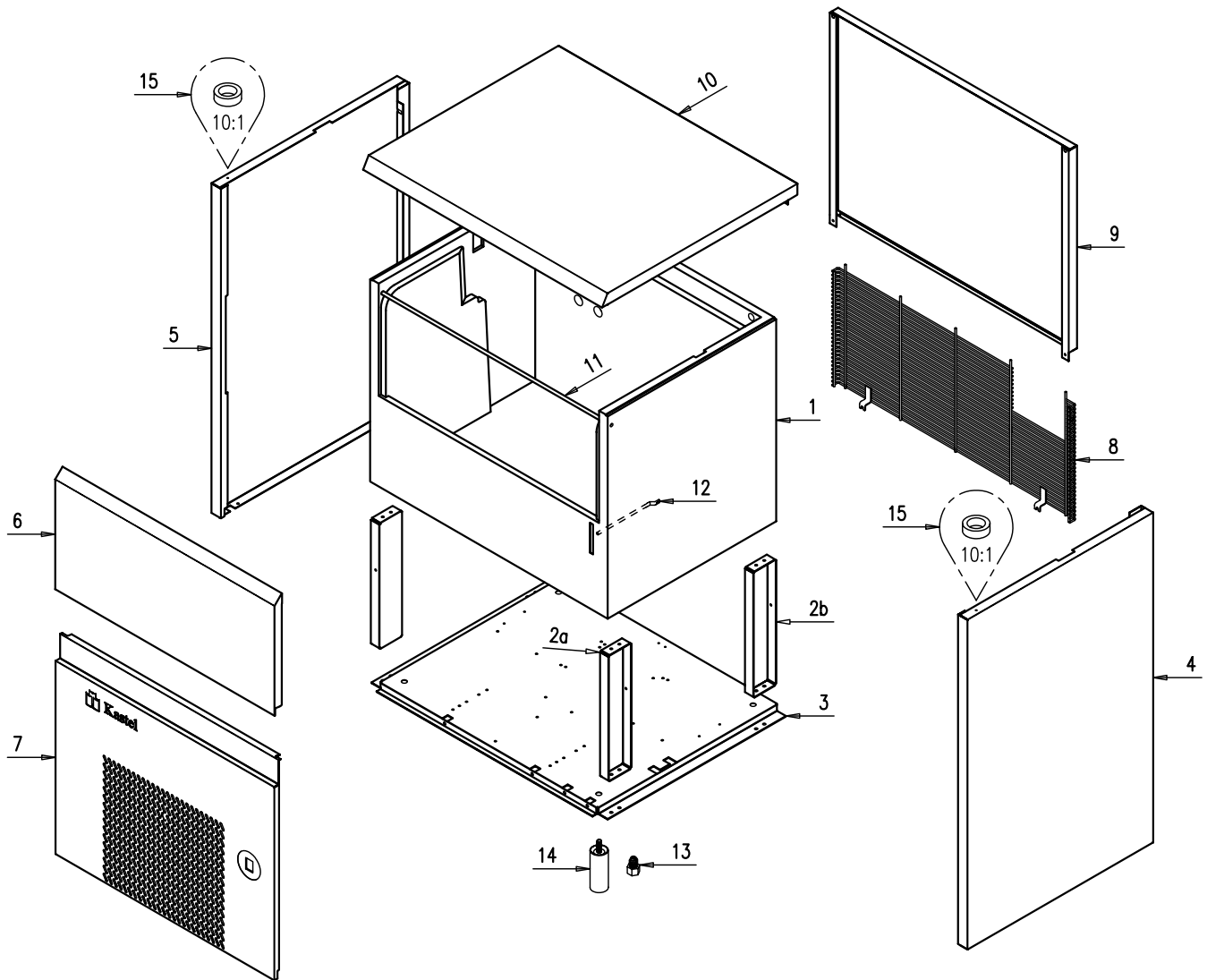
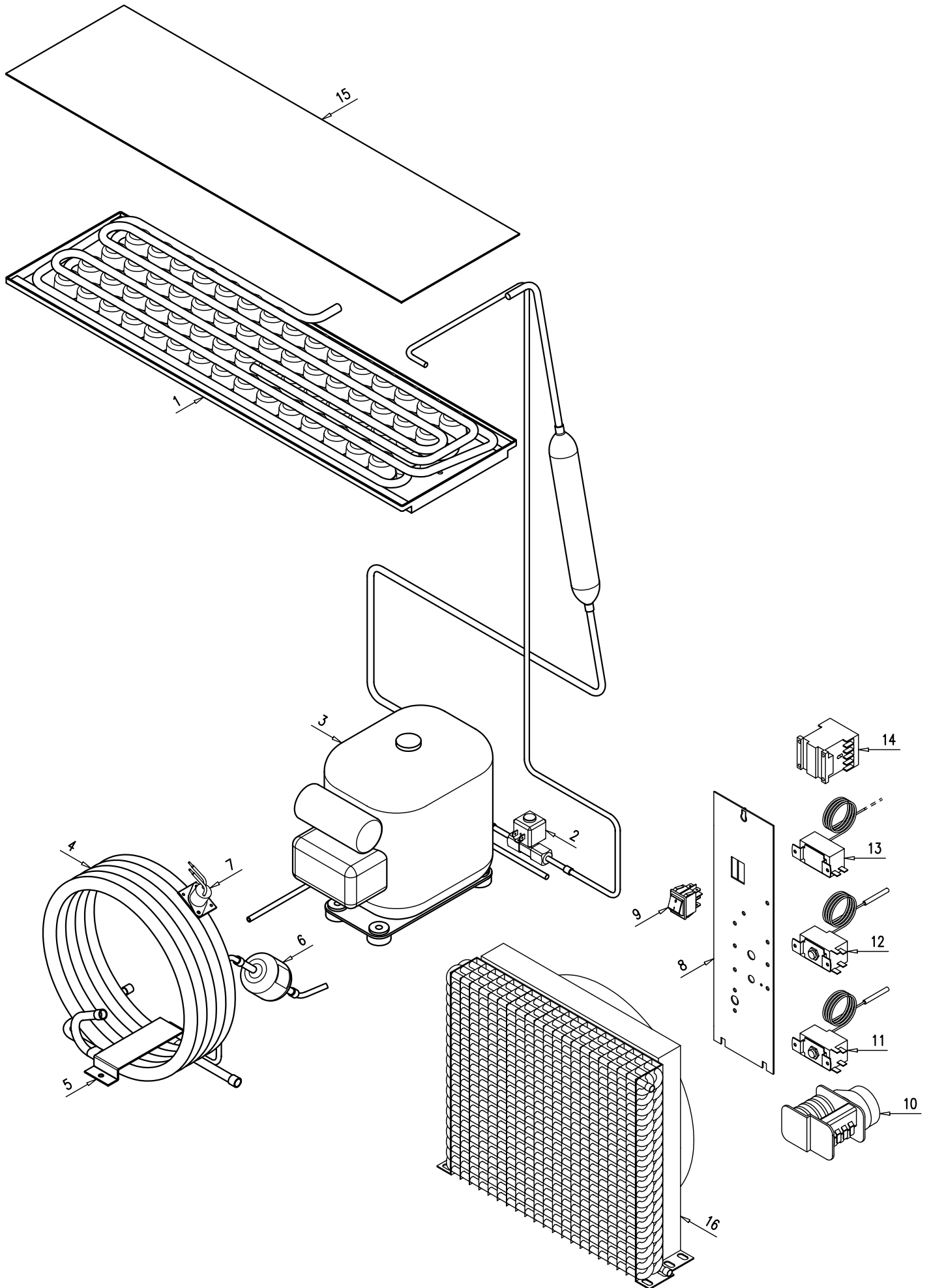


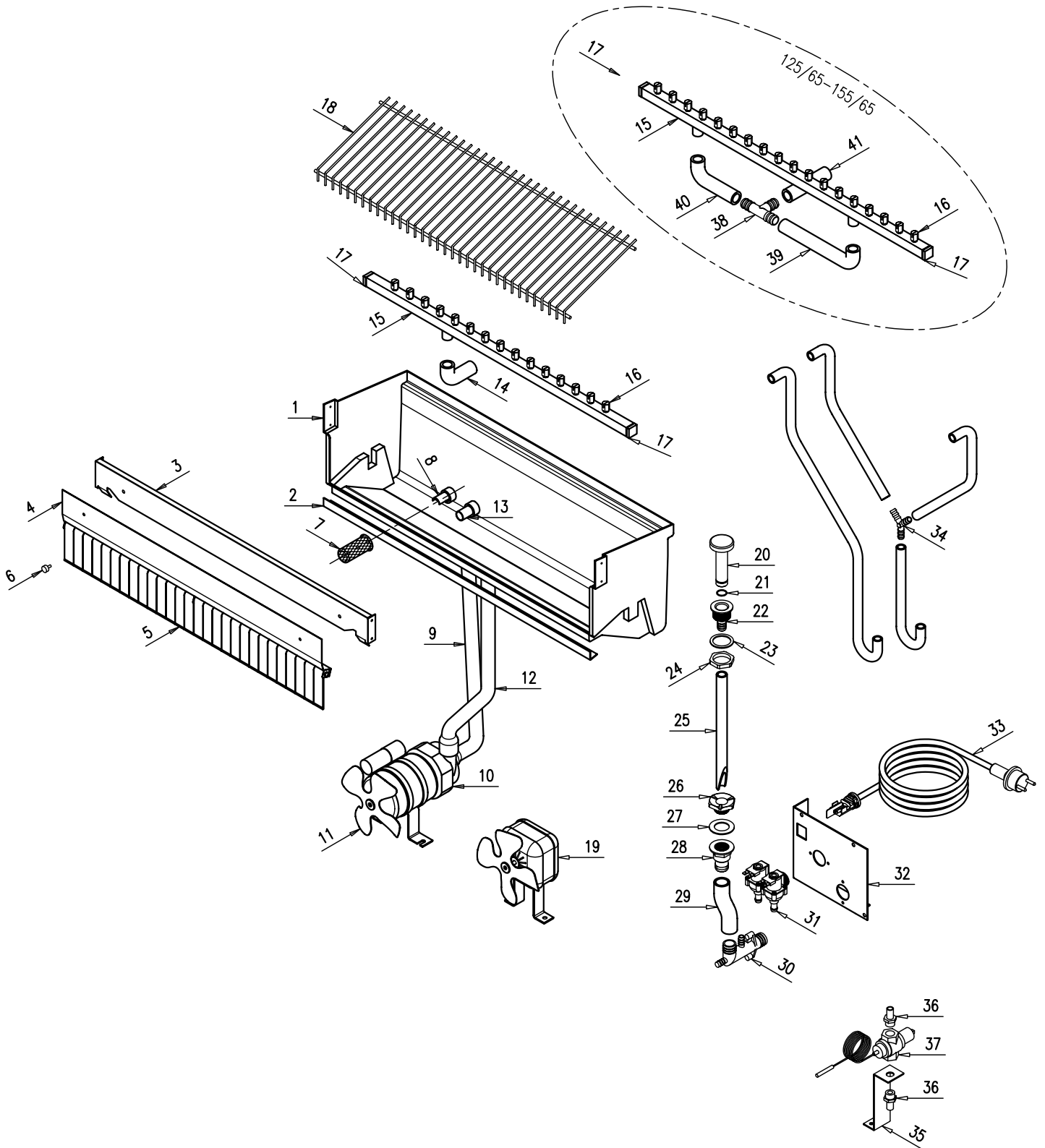
MANTELLATURA BODY



IMPIANTO REFRIGERANTE COOLING SYSTEM



IMPIANTO IDRICO WATERWORKS



MANTELLATURA - BODY														
POS.	DESCRIZIONE	INGLESE	NOTE	21/5	25/6	25/9	35/15	45/15	45/25	65/40	80/40	90/50	125/70	160/70
1	Scocca schiumata	Foamed body		K00812	K00471	K00470	K00469	K00468	K00466	K00467	K00473			
2a	Angolare dx. (nr.2)	right angle		K00155	K00155	K00155	K00126	K00126	K00052	K00052	K00446			
2b	Angolare sin. (nr.2)	Left angle		K00704	K00704	K00704	K00703	K00703	K00702	K00702	K00706			
3	Basamento	Base assembly		K00803	K00154	K00154	K00123	K00123	K00550	K00550	K00549			
4	Mantello dx	Right panel	PLAST	K00832	K01295	/	/	/	/	/	/	/	/	/
			INOX	K00805	K00180	K00166	K00131	K00192	K00060	K00212	K00451			
5	Mantello sx	Left panel	PLAST	K00831	K01296	/	/	/	/	/	/	/	/	/
			INOX	K00804	K00181	K00167	K00130	K00193	K00061	K00213	K00452			
6	Sportello	Door	PLAST	K00828	K01300	/	/	/	/	/	/	/	/	/
			INOX	K00816	K00241	K00241	K00245	K00245	K00249	K00249	K00456			
7	Sottoporta	Front panel	PLAST	K00830	K01297	/	/	/	/	/	/	/	/	/
			INOX	K00811	K00182	K00165	K00136	K00194	K00063	K00214	K00455			
8	Griglia posteriore	Back grid		K00844	K00173	K00173	K00195	K00195	K00065	K00065	K00450			
9	Pannello posteriore	Back panel		K00810	K00178	K00163	K00134	K00191	K00059	K00211	K00448			
10	Capottina	Top assembly	PLAST	K01369	K01299	/	/	/	/	/	/	/	/	/
			INOX	K01393	K01135	K01135	K01176	K01176	K01129	K01129	K01167			
11	Traversino porta	Door support		K00834	K00273	K00273	K00274	K00274	K00275	K00275	K00224			
12	Pozzetto	Thermostat pocket		K00896	K00895	K00895	K00043	K00043	K00043	K00043	K00043			
13	Piedino (nr.4)	Foot		K01086	K01086	K01086	/	/	/	/	/	/	/	/
14	Piedino (nr.4)	Foot		/	/	/	K01574	K01574	K01341	K01341	K01341			
15	Bussola	Bush		K01148	K01148	K01148	K01148	K01148	K01148	K01148	K01148			

IMPIANTO REFRIGERANTE - COOLING SYSTEM														
POS.	DESCRIZIONE	INGLESE	NOTE	21/5	25/6	25/9	35/15	45/15	45/25	65/40	80/40	90/50	125/70	160/70
1	Evaporatore	Evaporator		K00145	K00145	K00139	K00139	K00139	K00138	K00138	K00138	K00332	K00332	
2	Elettrovalvola gas	Hot gas valve		K01531	K01531	K01531	K01531	K01531	K01531	K01531	K01531	K01532	K01532	
3	Compressore	Compressor	W	K00200	K00200	K01186	K00202	K00085	K00085	K00205	K00206	K00475	K00476	
	Compressore	Compressor	A											
4	Ass. Condensatore	Water condenser ass.	W	K00278	K00112	K00147	K00147	K00017	K00017	K00017	K00333	K00333		
5	Supporto condensatore	Condenser support	W	K00279	K00113	K00146	K00146	K00029	K00029	K00029	K00335	K00335		
6	Filtro gas	Gas filter		K00199	K00199	K00199	K00199	K00081	K00081	K00081	K00478	K00478		
7	Termostato sicurezza	Safety thermostat	W	K00076	K00076	K00076	K00076	K00076	K00076	K00076	K00076	K00076	K00076	
8	Pannello elettrico	Electric panel		K00808	K00119	K00119	K00119	K00049	K00049	K00049	K00049	K00049	K00049	
9	Interruttore	On-off switch		K00082	K00082	K00082	K00082	K00082	K00082	K00082	K00082	K00082	K00082	
10	Timer	Timer		K00075	K00075	K00075	K00075	K00075	K00075	K00075	K00075	K00075	K00075	
11	Termostato evaporatore	Evaporator thermostat		K00080	K00080	K00080	K00080	K00080	K00080	K00080	K00080	K00080	K00080	
12	Termostato ghiaccio	Bin thermostat		K00079	K00079	K00079	K00079	K00079	K00079	K00079	K00079	K00079	K00079	
13	Pressostato	Pressure switch		K00077	K00077	K00077	K00077	K00077	K00077	K00077	K00077	K00077	K00077	
14	Contattore	Contactore		/	/	/	/	/	/	/	/	/	/	K00500
15	Riparo evaporatore	Evaporator cover		K00150	K00150	K00118	K00118	K00069	K00069	K00069	K00226	K00226		
16	Ass. Condensatore	Air condenser ass.	A	K01223	K01223	K01224	K01225	K01313	K01314	K01314	K01314	K01314	K01314	

W: ACQUA - WATER

A: ARIA - AIR

DATA:19/07/2004 REV.07

IMPIANTO IDRICO - WATER SYSTEM														
POS.	DESCRIZIONE	INGLESE	NOTE	21/5	25/6	25/9	35/15	45/15	45/25	65/40	80/40	90/50	125/70	160/70
1	Vaschetta	Tank		K00800	K00149	K00149	K00144	K00144	K00144		K00045	K00045	K00300	K00300
2	Supporto vaschetta	Tank support		/	K00152	K00152	K00121	K00121	K00121		K00036	K00036	K00439	K00439
3	Traversino evaporatore	Evaporator support		K00817	K00151	K00151	K00120	K00120	K00120		K00041	K00041	K00320	K00320
4	Ass. pannello bandierine	Flag support assembly		K00826	K00225	K00225	K00653	K00653	K00653		K00556	K00556	K00227	K00227
5	Bandierine	Flag		K00008	K00008	K00008	K00008	K00008	K00008		K00008	K00008	K00008	K00008
6	Nottolino (nr.2)	Pawl		K00013	K00013	K00013	K00013	K00013	K00013		K00013	K00013	K00013	K00013
7	Filtro aspirazione	Suction filter		K00012	K00012	K00012	K00012	K00012	K00012		K00012	K00012	K00012	K00012
8	Anello aspirazione	Suction ring		K00058	K00058	K00058	K00058	K00058	K00058		K00058	K00058	K00058	K00058
9	Manicotto aspirazione	Suction pipe		K00823	K00185	K00142	K00142	K00142	K00198		K00072	K00218	K00218	K00218
10	Ass. pompa	Pump assembly	W	K01530	K00553	K00553	K00553	K00553	K00553	K00553	K00553	K00553	K01164	K01164
	Ass. pompa	Pump assembly	A		K01302	K01302	K01302							
11	Ventola	Fan	W	/	K01023	K01023	K01023	K01023	K01023	K01023	K01023	K01023	K01023	K01023
	Ventola	Fan	A		K01301	K01301	K01301							
12	Manicotto mandata	Inlet pipe		K00824	K00184	K00141	K00141	K00197		K00109		K00217	K00217	K00217
13	Anello mandata	Inlet ring		K00057	K00057	K00057	K00057	K00057	K00057		K00057	K00057	K00057	K00057
14	Manicotto rampa	Bar pipe		K00048	K00048	K00048	K00048	K00048	K00048		K00048	K00048	/	/
15	Rampa	Sprayers bar assembly		K00825	K00171	K00171	K00133	K00133	K00133		K00047	K00047	K00316	K00316
16	Ugello	Sprayers		K00220	K00220	K00220	K00220	K00220	K00220		K00220	K00220	K00220	K00220
17	Tappo (nr.2)	Plug		K00527	K00527	K00527	K00527	K00527	K00527		K00527	K00527	K00527	K00527
18	Scivolo	Chute		K00820	K00157	K00157	K00124	K00124	K00124		K00024	K00024	K00334	K00334
19	Ventilatore	Fan motor assembly	W	K01083	/	/	/	/	/		K01083	K01083	K01083	K01083
			A	K01380	/	/	/	/	/		/	/	/	/
20	Troppopieno	Overflow assembly		K01317	K01317	K01317	K01317	K01317	K01317		K01317	K01317	K01317	K01317
21	Guarnizione	Gasket		K01125	K01125	K01125	K01125	K01125	K01125		K01125	K01125	K01125	K01125
22	Piletta troppopieno	Overflow drain		K00006	K00006	K00006	K00006	K00006	K00006		K00006	K00006	K00006	K00006
23	Guarnizione	Gasket		K00536	K00536	K00536	K00536	K00536	K00536		K00536	K00536	K00536	K00536
24	Ghiera	Ring nut		K01126	K01126	K01126	K01126	K01126	K01126		K01126	K01126	K01126	K01126
25	Tubo troppopieno	Overflow pipe		/	/	K00541	K00542	K00542	K00543		K00540	K00544	K00545	K00545
26	Dado piletta	Drain screw nut		K00004	K00004	K00004	K00004	K00004	K00004		K00004	K00004	K00004	K00004
27	Guarnizione	Gasket		K00003	K00003	K00003	K00003	K00003	K00003		K00003	K00003	K00003	K00003
28	Tronchetto piletta	Drain stub pipe		K00039	K00039	K00039	K00039	K00039	K00039		K00039	K00039	K00039	K00039
29	Manicotto scarico	Drain pipe		K00110	K00110	K00110	K00110	K00110	K00110		K00110	K00110	K00110	K00110
30	Raccordo scarico	Nipple water outlet	W	K00578	K00578	K00578	K00578	K00578	K00578		K00578	K00578	K00578	K00578
	Raccordo scarico	Nipple water outlet	A	K00001	K00001	K00001	K00001	K00001	K00001		K00001	K00001	K00001	K00001
31	Elettrovalvola	Water valve	W	K01045	K01045	K01045	K01045	K00204	K00204		K01322	K01322	K01195	K01046
	Elettrovalvola	Water valve	A	K01212	K01212	K01212	K01212	K01213	K01213		K01213	K01213	K01214	K01214
32	Supp.idroelettrico	Hydrohelectrical support		K00822	K00030	K00030	K00030	K00030	K00030		K01146	K01146	K01146	K01146
33	Cavo alimentazione	Cable		K01324	K01324	K01324	K01324	K01324	K01324		K01324	K01324	K01324	K01324
34	Raccordo a 3 vie (Ø 10)	Wye		/	/	/	/	/	/		K00010	K00010	K00010	K00010
35	Supporto valvola	Valve support	W	/	/	/	/	/	/		/	/	/	K00330
36	Raccordo (W) (nr.2)	Nipple	W	/	/	/	/	/	/		/	/	/	K01160
37	Valvola pressostatica	Pressure valve	W	/	/	/	/	/	/		/	/	/	K00497
38	Raccordo a 3 vie (Ø 17)	Union tee		/	/	/	/	/	/		/	/	K00230	K00230
39	Manicotto rampa	Bar pipe		/	/	/	/	/	/		/	/	K00445	K00445
40	Manicotto rampa	Bar pipe		/	/	/	/	/	/		/	/	K00444	K00444
41	Manicotto	Pipe		/	/	/	/	/	/		/	/	K00311	K00311

W: ACQUA - WATER

A: ARIA - AIR

DATA:19/07/2004 REV.07