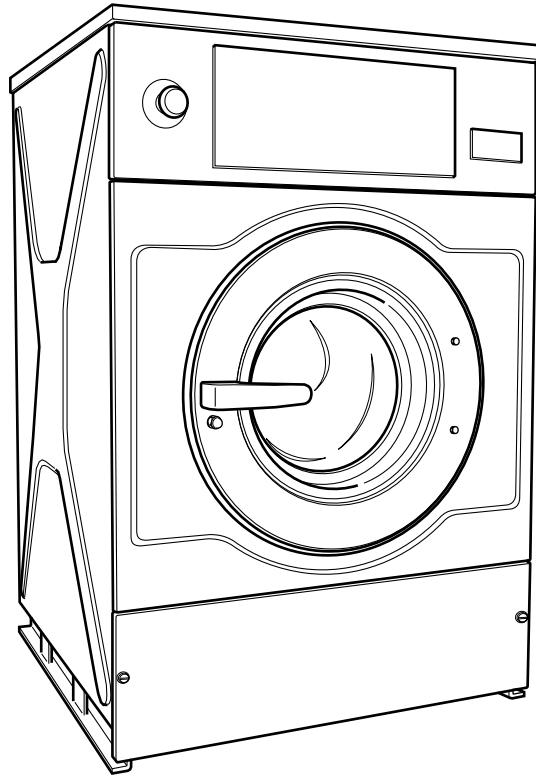


Washer-Extractor

Pocket Hardmount

Refer to Page 5 for Model Numbers



CHM2097N_D0888

Model Identification

Information in this manual is applicable to these washer-extractor models:

CWF055ANM	IWF235SDM	WFF235_CYGNUS-COMM_COIN
CWF055MNM	IWF235SEM	WFF235_CYGNUS-COMM_OPL
CWF075ANM	IWF235SLM	WFF235_CYGNUS-PREM_COIN
CWF075MNM	IWF235SRM	WFF235_CYGNUS-PREM_OPL
IWF055ANM	IWF235SXM	WFF235_CYGNUS-PRO
IWF055MCM	IWF235SYM	WFF235_CYGNUS-STANDARD_COIN
IWF055MDM	IWF235ZCM	WFF235_CYGNUS-STANDARD_OPL
IWF055MEM	IWF235ZDM	WFF235_MICRO-20_COIN
IWF055MLM	IWF235ZEM	WFF235_MICRO-20_OPL
IWF055MNM	IWF235ZLM	WFF235_PS40F
IWF055MXM	IWF235ZNM	WFF235_SIGMA_COIN
IWF055MYM	IWF235ZXM	WFF235_SIGMA_OPL
IWF055SCM	IWF235ZYM	WFF305_CYGNUS-COMM_COIN
IWF055SDM	IWF305ANM	WFF305_CYGNUS-COMM_OPL
IWF055SEM	IWF305MCM	WFF305_CYGNUS-PREM_COIN
IWF055SLM	IWF305MDM	WFF305_CYGNUS-PREM_OPL
IWF055SRM	IWF305MEM	WFF305_CYGNUS-PRO
IWF055SXM	IWF305MLM	WFF305_CYGNUS-STANDARD_COIN
IWF055SYM	IWF305MNM	WFF305_CYGNUS-STANDARD_OPL
IWF075ANM	IWF305MXM	WFF305_MICRO-20_COIN
IWF075MCM	IWF305MYM	WFF305_MICRO-20_OPL
IWF075MDM	IWF305SCM	WFF305_PS40F
IWF075MEM	IWF305SDM	WFF305_SIGMA_COIN
IWF075MLM	IWF305SEM	WFF305_SIGMA_OPL
IWF075MNM	IWF305SLM	
IWF075MXM	IWF305SRM	
IWF075MYM	IWF305SXM	
IWF075SCM	IWF305SYM	
IWF075SDM	IWF305ZCM	
IWF075SEM	IWF305ZDM	
IWF075SLM	IWF305ZEM	
IWF075SRM	IWF305ZLM	
IWF075SXM	IWF305ZNM	
IWF075SYM	IWF305ZXM	
IWF235ANM	IWF305ZYM	
IWF235MCM		
IWF235MDM		
IWF235MEM		
IWF235MLM		
IWF235MNM		
IWF235MXM		
IWF235MYM		
IWF235SCM		


Pocket Hardmount Washer-Extractor Product Overview

Type:	WFF75C	Nr: 07110WD0339
Voltage:	3 ~ 400V 50Hz	Weight: 181 kg
Motor:	0.55kW 2.5A	Capacity: 73 L
Heating:	9kW 16A	Dry Load: 7,3 kg
Total:	9.55 kW	Drum: 530 mm
Kinetic energy:	592 Nm	Speed: 700 rpm
Manufactured in:	2007	

Water Pressure: min. 2.07 max. 5.86 Kg/cm² IPX4
min. 20.7 max. 58.6 N/cm²


sfc 741837

Alliance International BVBA
Nieuwstraat 146
8560 Wevelgem
Belgium
Tel: +32 56 41 20 54
Fax: +32 56 41 86 74
www.ipso.be




Model No:	IWF018MNMX10U01	Serial No: 07110WD0152
Volts Hertz:	208-240 50/60	Type: WFF75
Phase:	1 - 3	
Amps:	6 amps	Capacity: 18/7 lbs/kg
Recommended		Water 30-85 psi
Circuit Breaker:	15 amps	Pressure: 2.07-5.86 bar
Interrupt Current:	10 kA	Max Speed: 700 rpm
Motor:	1 hp	Net Weight: 400 lbs
	0,75 kW	181 kg
Elec Heat:	N/A kW	IPX4
Steam heat:	N/A psi	
	N/A bar	

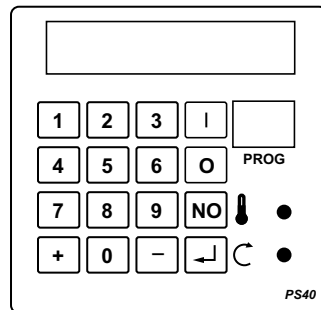
Alliance International BVBA
Made in Belgium



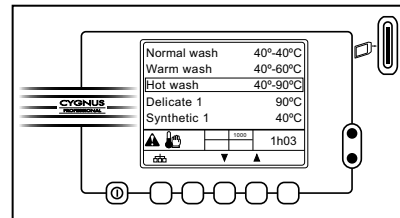
TEL 1-920-748-3121
www.comlaundry.com



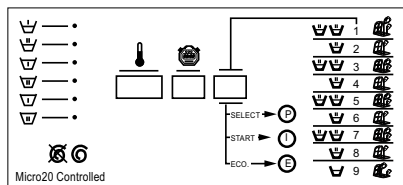
100740
CONFORMS TO ANSI/UL
STD 2157
CERTIFIED TO CAN/CSA
STD C22.2 NO.169-94



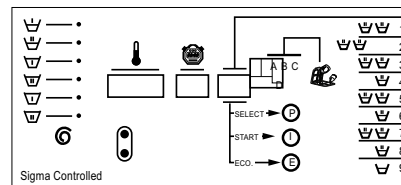
PS40



Cygnus Professional



Micro 20



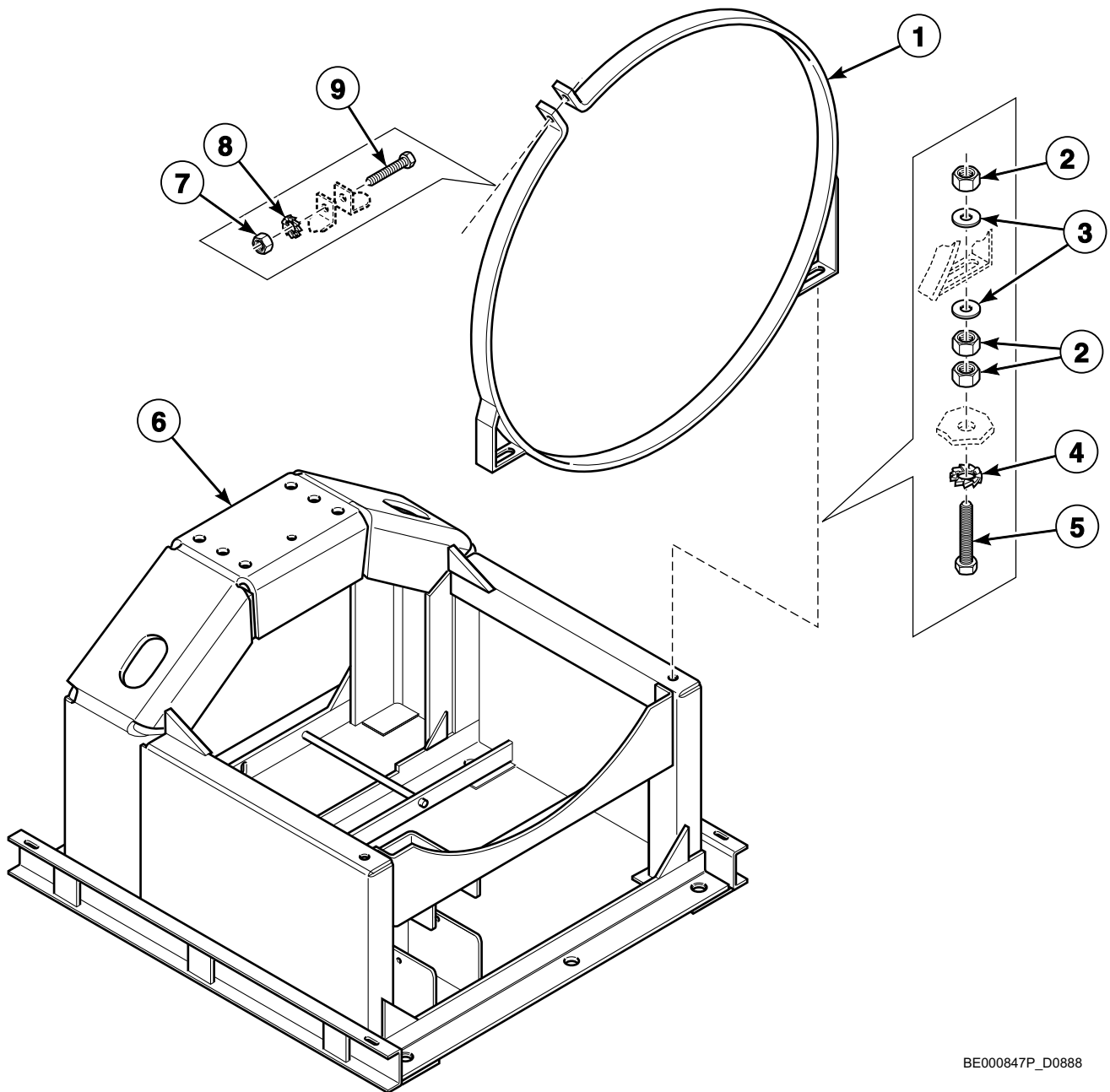
Sigma

CHM3066P_D0888

Pocket Hardmount Washer-Extractor Product Overview

REF	PART NO.	DESCRIPTION	COMMENTS
1	-	Product Family	CWF IWF WFF
2	-	Capacity	055 075 235 305
3	-	Control	A (PS40F) Cygnus-Comm Cygnus-Prem Cygnus-Standard M (Micro-20) S (Sigma) Z (Cygnus-Pro)
4	-	Actuation	C (Coin Drop Meter) D (Dual Coin Drop) E (Electronic Drop) L (Prep for Remote or Central Pay) N (Non-Coin) R (Smart Card Ready) X (Prep for Coin) Y (Card Ready)
5	-	Speed	M (Medium Spin)
6	-	Voltage	N (440-480/50-60/3/3) P (380-415/50-60/3/3) Q (208-240/50-60/3/3) X (200-240/50-60/1/3)
7	-	Design	1

Frame - *55 and *235 Models Through 1/17/10

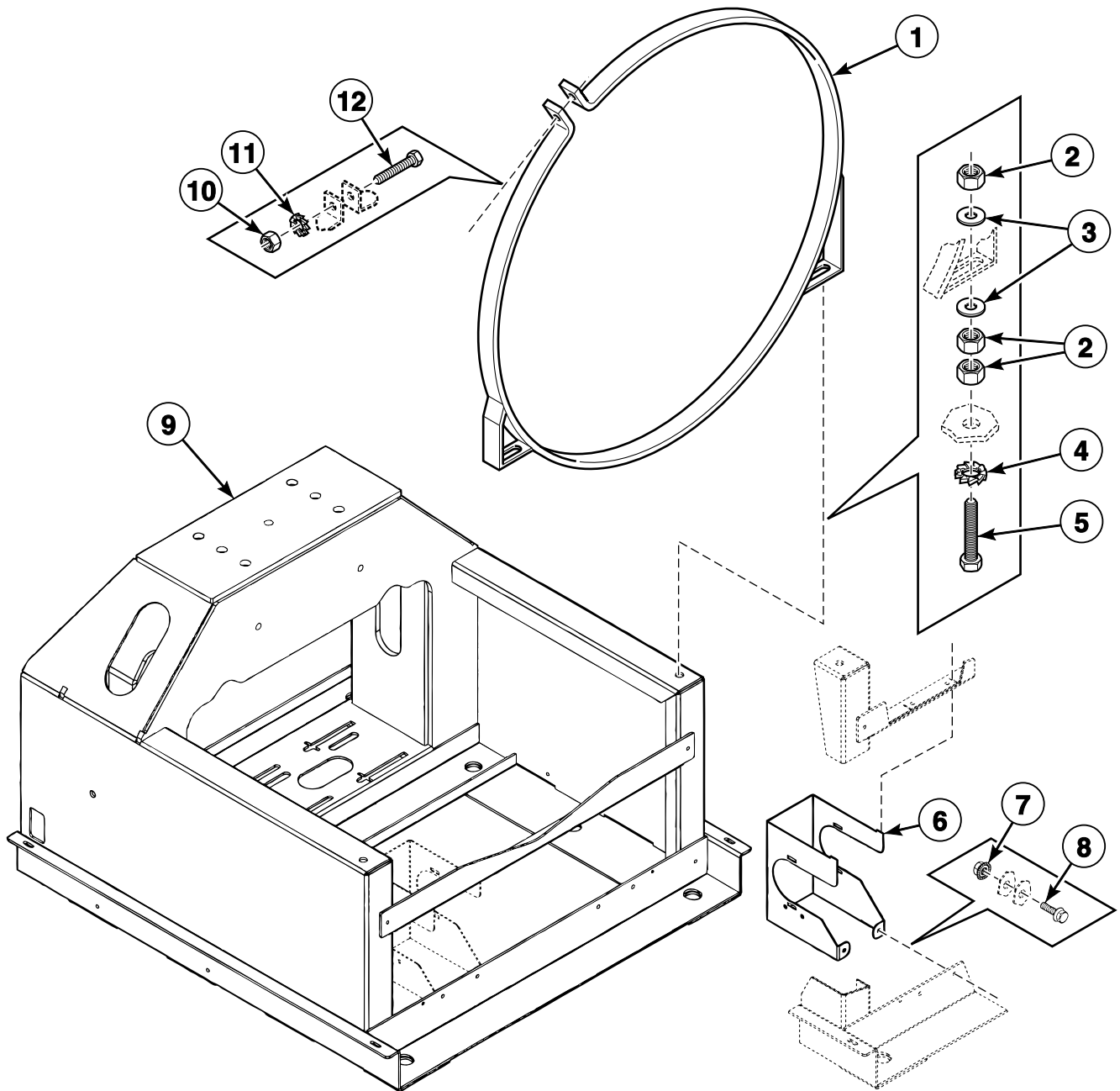


BE000847P_D0888

Frame - *55 and *235 Models Through 1/17/10

REF	PART NO.	DESCRIPTION	COMMENTS
1	212/00116/00	Tub Fastening Ring	
2	204/00002/00	Nut	
3	201/00005/00	Washer	
4	203/00001/00	Washer	
5	206/00079/00	Bolt	
6	212/00111/50	Chassis	
7	204/00004/00	Nut	
8	203/00003/00	Washer	
9	206/00007/00	Screw	

Frame - *55 and *235 Models Starting 1/18/10

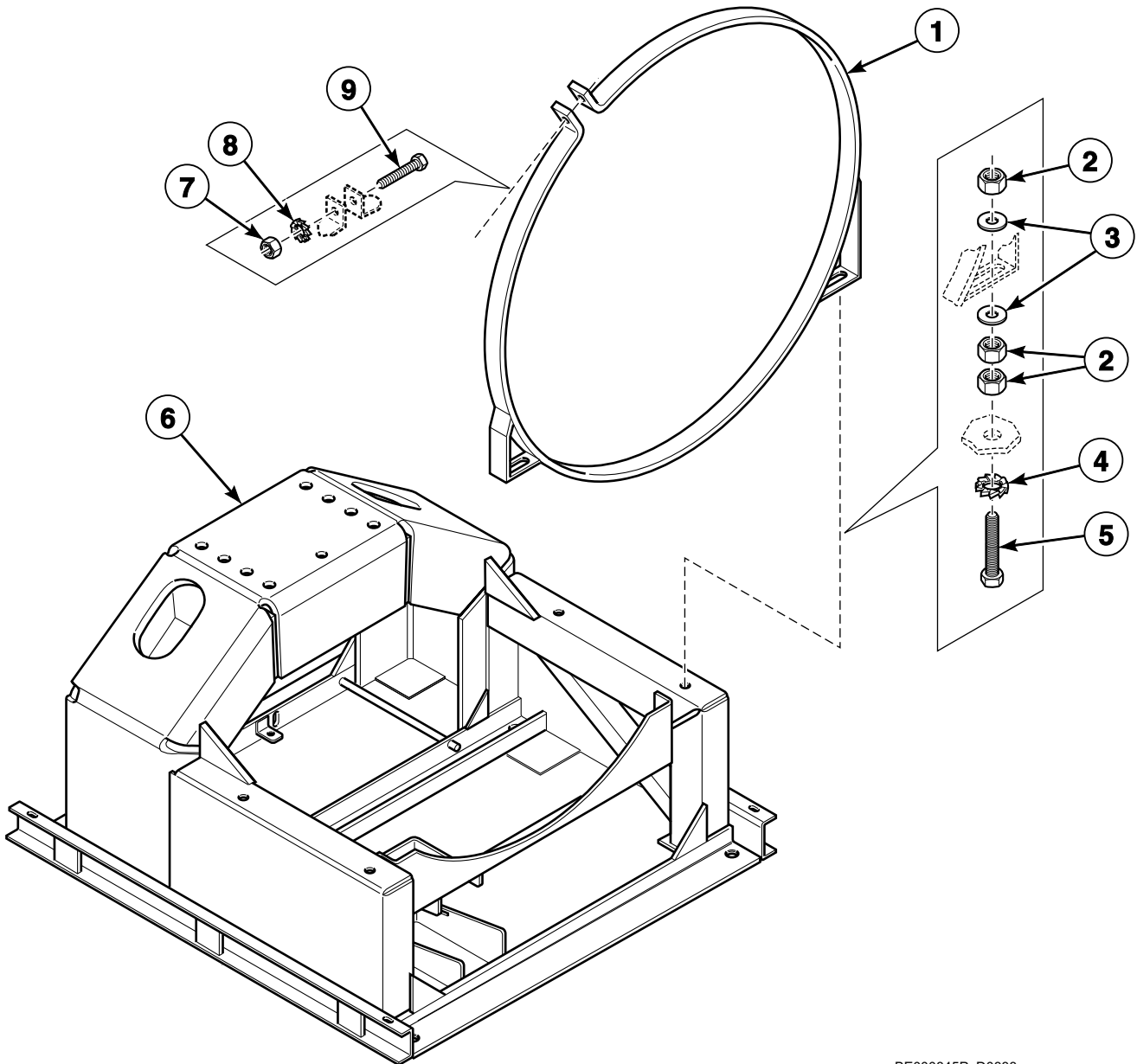


BE000847AP_D0888

Frame - *55 and *235 Models Starting 1/18/10

REF	PART NO.	DESCRIPTION	COMMENTS
1	212/00116/00	Tub Fastening Ring	
2	204/00002/00	Nut	
3	201/00005/00	Washer	
4	203/00001/00	Washer	
5	206/00079/00	Bolt	
6	212/00120/01	Drain Valve Support	
7	206/00101/00	Nut	
8	206/00099/00	Bolt	
9	212/00120/00	Chassis	
10	204/00004/00	Nut	
11	203/00003/00	Washer	
12	206/00007/00	Screw	

Frame - *75 and *305 Models

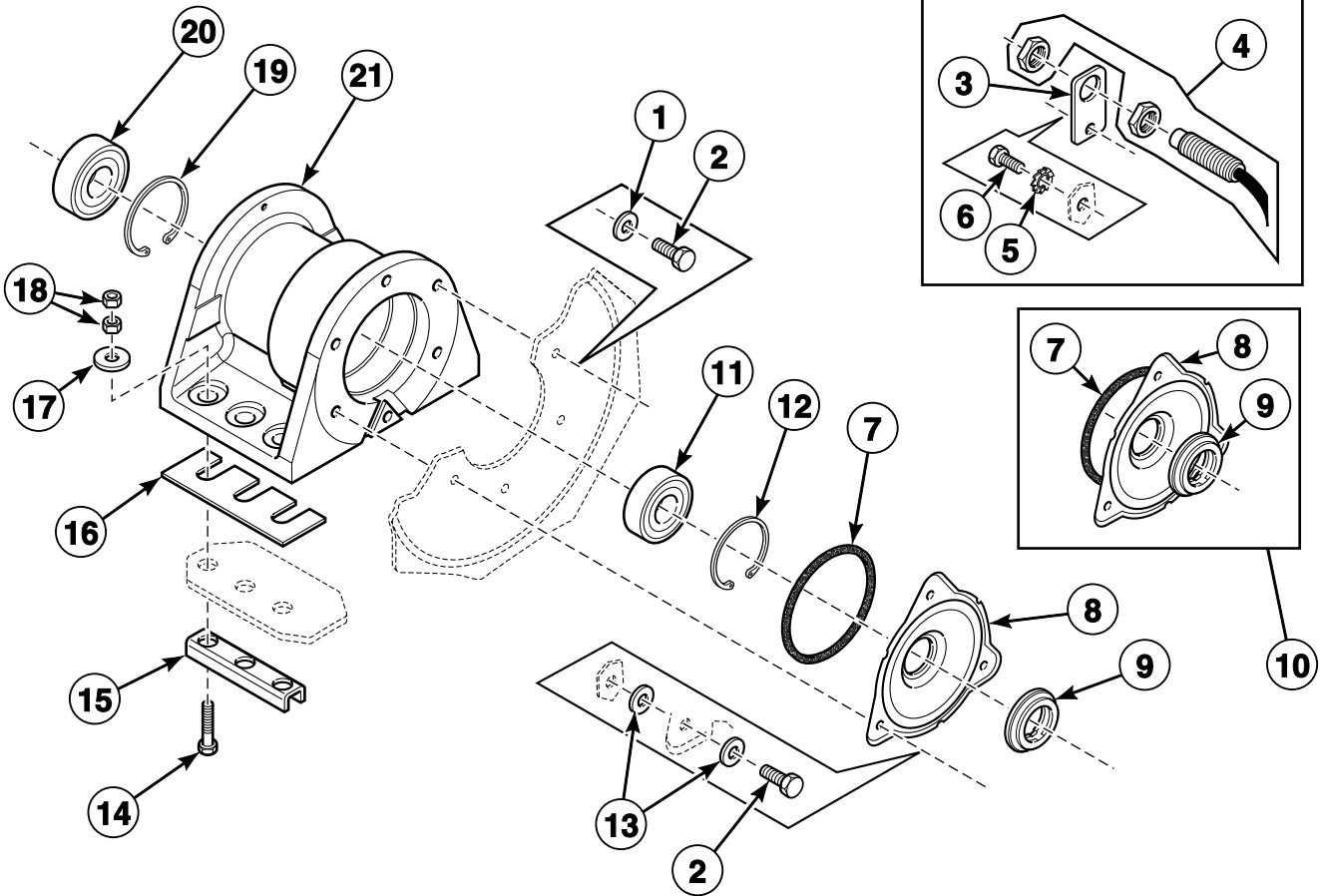


BE000845P_D0888

Frame - *75 and *305 Models

REF	PART NO.	DESCRIPTION	COMMENTS
1	212/00117/00	Tub Fastening Ring	
2	204/00002/00	Nut	
3	201/00005/00	Washer	
4	203/00001/00	Washer	
5	206/00079/00	Bolt	
6	212/00112/50	Chassis	
7	204/00004/00	Nut	
8	203/00003/00	Washer	
9	206/00007/00	Screw	

Bearing Housing - *55 and *235 Models Through 1/30/11

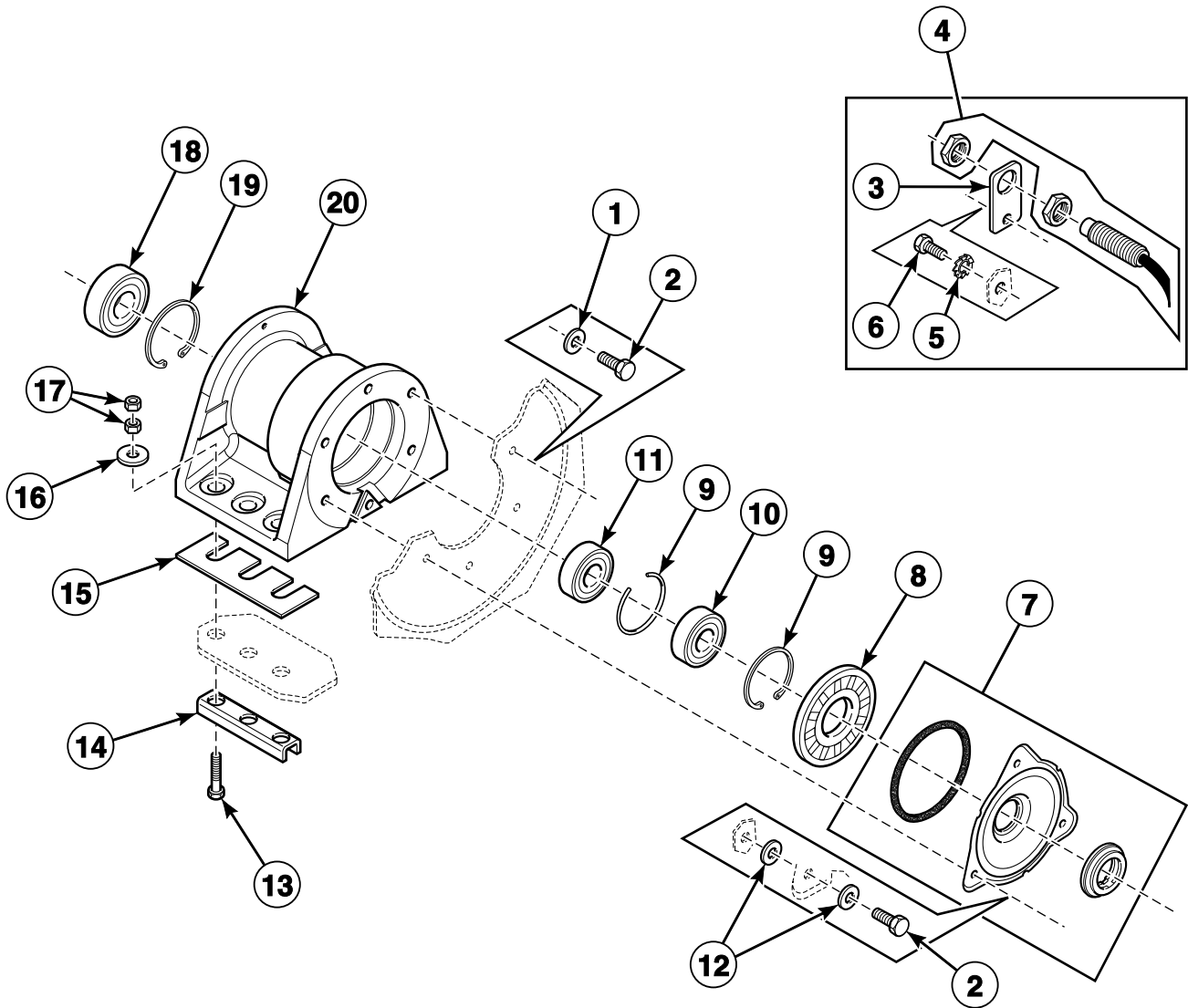


BE000827AP_D0888

Bearing Housing - *55 and *235 Models Through 1/30/11

REF	PART NO.	DESCRIPTION	COMMENTS
	382P3	Bearing Replacement Tool Kit	
	891P3	Bearing Replacement Kit	Includes items 1, 2, 10, 11, 20, 219/00004/00 Counter Ring, 223/00242/40 Tub Front Panel Gasket and F8388601P Deflector Inlet
1	201/00201/00	Washer	
2	205/00102/00	Bolt	
3	152/00055/00	Speed Detector Bracket	
4	210/00075/00	Speed Detector	
5	203/00004/00	Washer	
6	205/00104/00	Bolt	
7	217/00002/00	O-Ring	Used with B12327101 Cylinder and Shaft Assembly
8	219/00001/00	Seal Cover	Used with B12327101 Cylinder and Shaft Assembly
9	219/00003/00	Shaft Seal	Used with B12327101 Cylinder and Shaft Assembly
10	119/00001/01	Seal Holder Assembly	Used with B12327101 Cylinder and Shaft Assembly
11	212/00004/00	Ball Bearing	
12	212/00006/00	Retainer Ring	
13	201/00201/00	Washer	
14	206/00093/00	Bolt	
15	113/00067/00	U-Piece Assembly	
16	113/00017/01	Bearing Housing Plate	1 mm
	113/00017/02	Bearing Housing Plate	2 mm
17	201/00001/00	Washer	
18	204/00010/00	Nut	
19	212/00037/00	Retainer Ring	
20	212/00024/01	Ball Bearing	
21	212/10104/00	Bearing Housing Assembly	Includes items 11, 12, 19 and 20
	212/00104/01	Bearing Housing Assembly	

Bearing Housing - *55 and *235 Models Starting 1/31/11

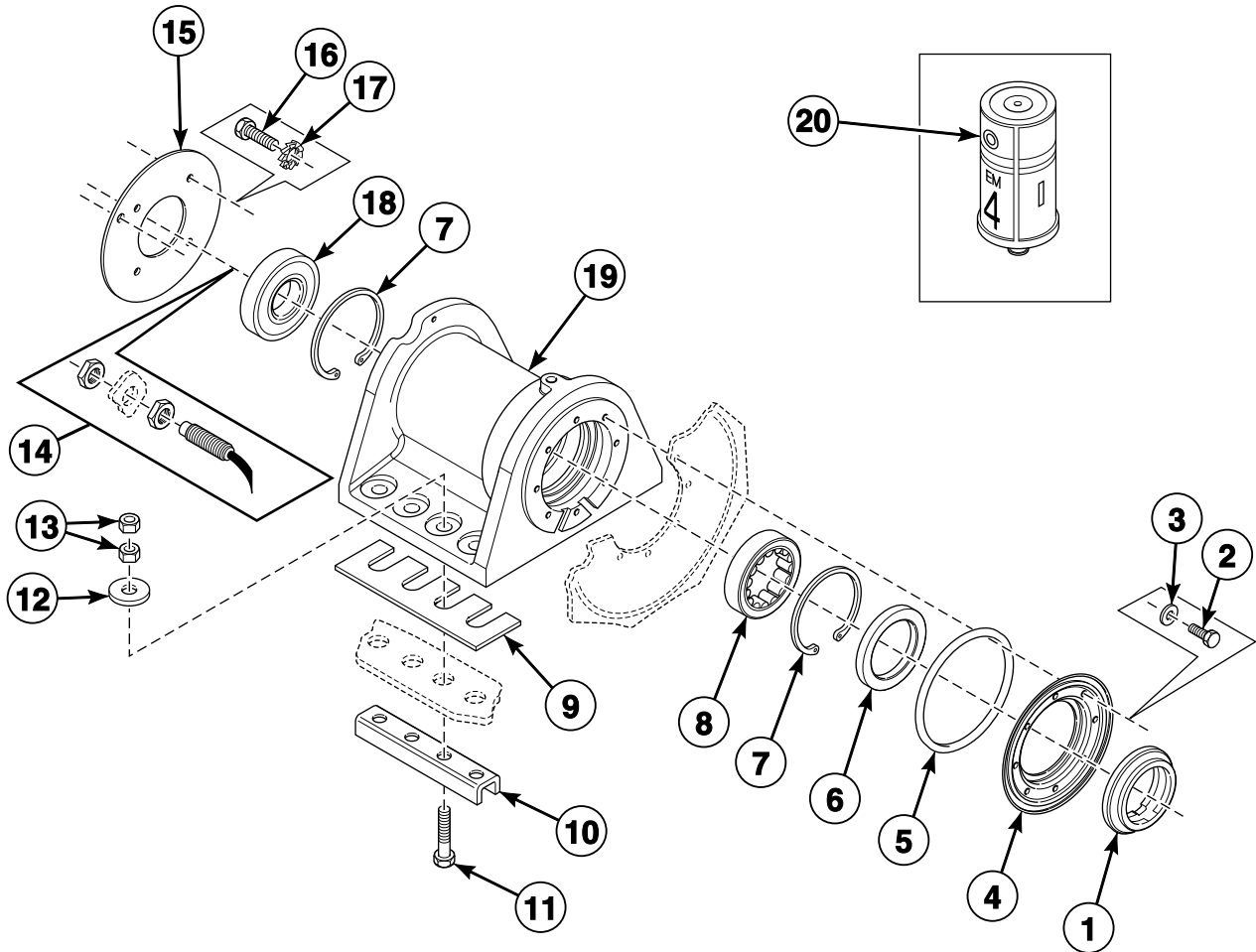


CFD545P_D0888

Bearing Housing - *55 and *235 Models Starting 1/31/11

REF	PART NO.	DESCRIPTION	COMMENTS
	381P3	Bearing Replacement Tool Kit	
	3884P	Bearing and Seal Kit	Includes items 1, 2, 7, 8, 10, 11, 223/00242/10 Gasket and 219/00004/00 Counter Ring
1	201/00201/00	Washer	
2	205/00102/00	Bolt	
3	152/00055/00	Speed Detector Bracket	
4	210/00075/00	Speed Detector	
5	203/00004/00	Washer	
6	205/00104/00	Bolt	
7	B12333701	Seal Plate Assembly	Used with B12380901 Basket
8	B12332301	Lip Seal	
9	212/00006/00	Retainer Ring	
10	F100134	Bearing	
11	212/00004/00	Ball Bearing	
12	201/00201/00	Washer	
13	206/00093/00	Bolt	
14	113/00067/00	U-Piece Assembly	
15	113/00017/01	Bearing Housing Plate	1 mm
	113/00017/02	Bearing Housing Plate	2 mm
16	201/00001/00	Washer	
17	204/00010/00	Nut	
18	212/00024/01	Ball Bearing	
19	212/00037/00	Retainer Ring	
20	212/00104/01	Bearing Housing Assembly	

Bearing Housing - *75 and *305 Models

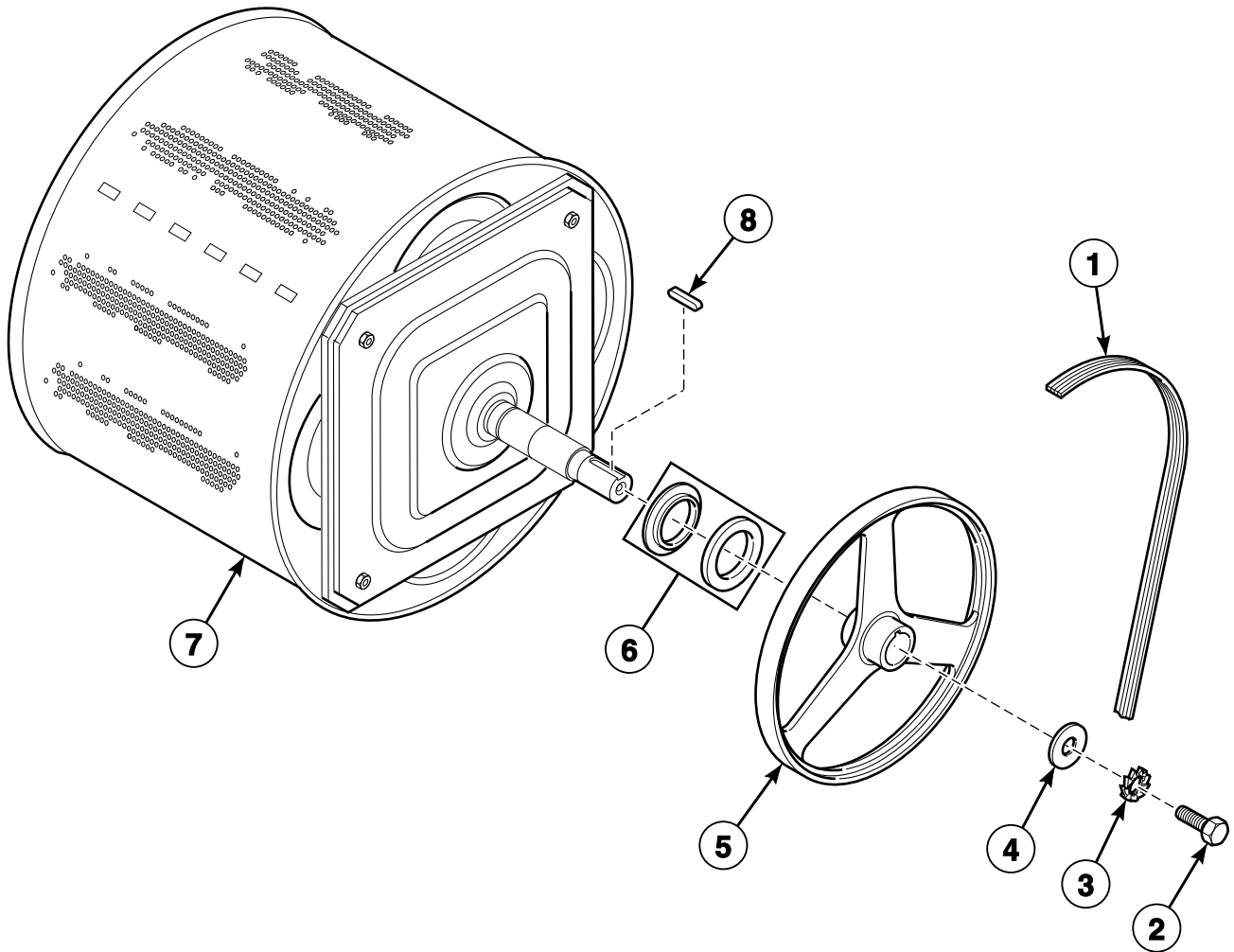


BE000846AP_D0888

Bearing Housing - *75 and *305 Models

REF	PART NO.	DESCRIPTION	COMMENTS
	382P3	Bearing Replacement Tool Kit	
	892P3	Bearing Replacement Kit	Includes 9001134 Shaft Seal, 9001226 Washer, 9001274 Bolt, 9001437 Lubricator, 9001438 Bearing, 9001439 Bearing, 9001441 Grease Ring, 9001548 Gasket, 9001601 Counter Ring, 9001744 Seal Holder Assembly and F8388601P Inlet Deflector
1	231/00037/00	Shaft Seal	
2	205/00104/00	Bolt	
3	201/00202/00	Washer	
4	131/00035/00	Seal Cover Plate	
	131/00035/01	Seal Holder Assembly	Includes item 1
5	231/00036/00	O-Ring	
6	212/00007/00	Grease Ring	
7	212/00006/00	Retainer Ring	
8	212/00005/00	Roller Bearing	
9	113/00018/01	Bearing Housing Plate	1 mm
	113/00018/02	Bearing Housing Plate	2 mm
10	113/00068/00	U-Piece Assembly	
11	206/00093/00	Bolt	
12	201/00001/00	Washer	
13	204/00010/00	Nut	
14	210/00075/00	Speed Detector	
15	112/00003/00	Bearing Cover	
16	206/00010/00	Bolt	
17	203/00003/00	Washer	
18	212/00004/00	Ball Bearing	
19	212/00103/01	Bearing Housing	
	212/00103/00	Bearing Housing Assembly	Includes items 8 and 18
20	212/00002/00	Lubricator	

Basket, Pulley and Belt - *55 and *235 Models

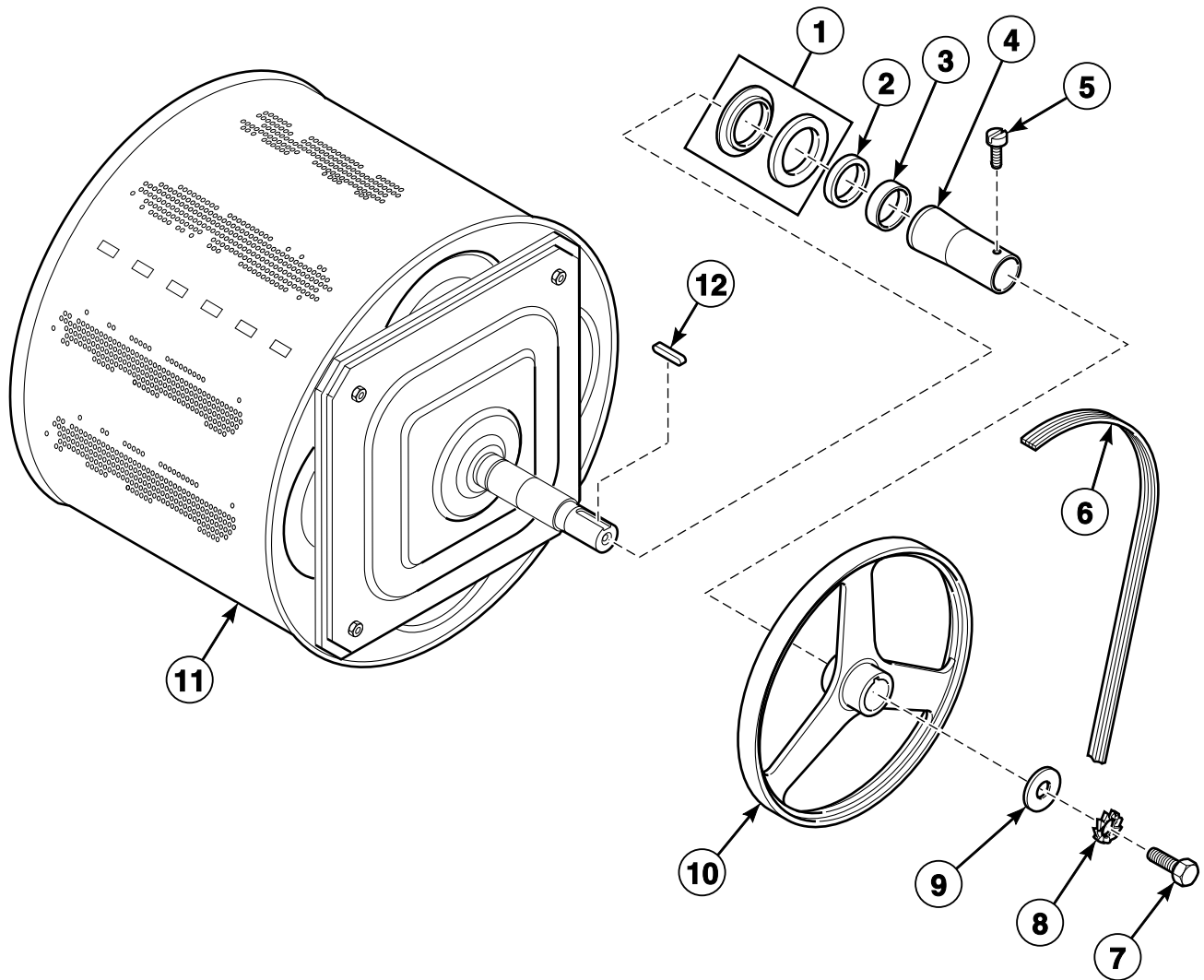


BE000832P_D0888

Basket, Pulley and Belt - *55 and *235 Models

REF	PART NO.	DESCRIPTION	COMMENTS
1	226/00133/00	Belt	
2	206/00004/00	Bolt	
3	203/00001/00	Washer	
4	201/00011/00	Washer	
5	226/00127/00	Drum Pulley	
6	219/00004/00	Counter Ring	
7	B12327101	Cylinder and Shaft Assembly	Models through 1/30/11; Used with 119/00001/01 Seal Holder Assembly
	B12543201	Basket Kit	3mm; Models through 1/30/11; Used with B12333701 Seal Plate Assembly; Includes B12380901 Basket and 3884P Bearing and Seal Kit
	B12380901	Basket	3mm; Models starting 1/31/11; Used with B12333701 Seal Plate Assembly
	B12381001	Basket	9mm; Models starting 1/31/11; Used with B12333701 Seal Plate Assembly
8	212/00026/00	Key	

Basket, Pulley and Belt - *75 and *305 Models

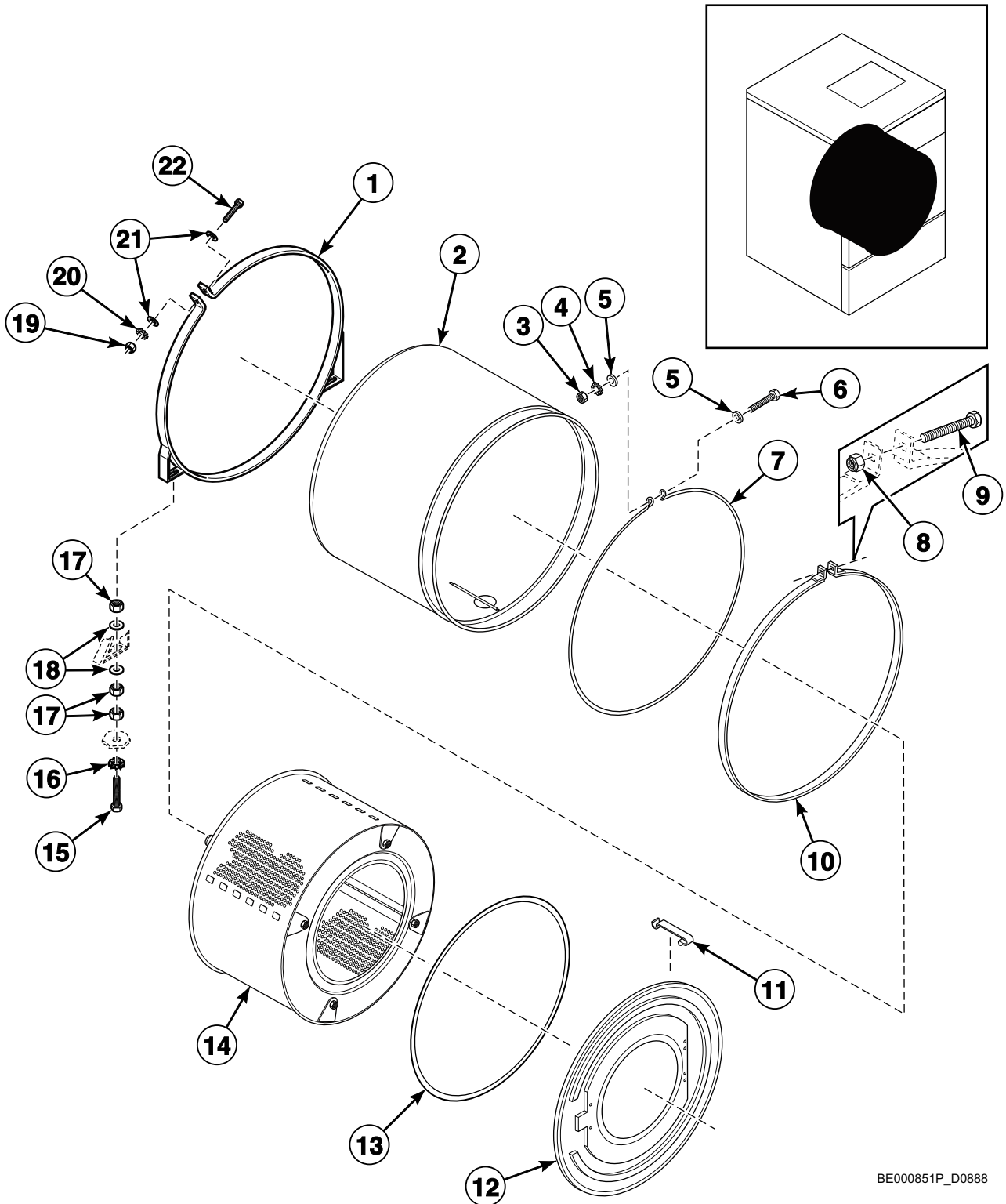


BE000849AP_D0888

Basket, Pulley and Belt - *75 and *305 Models

REF	PART NO.	DESCRIPTION	COMMENTS
1	232/00008/00	Counter Ring	
2	132/00009/00	Shaft Seal	
3	212/00005/00	Roller Bearing	
4	232/00020/00	Bearing Spacer	
5	207/00004/00	Screw	
6	226/00134/00	Belt	
7	206/00004/00	Bolt	
8	203/00001/00	Washer	
9	201/00011/00	Washer	
10	226/00127/00	Drum Pulley	
11	B12327301	Drum	
12	212/00026/00	Key	

Shell and Basket - *55 and *235 Models



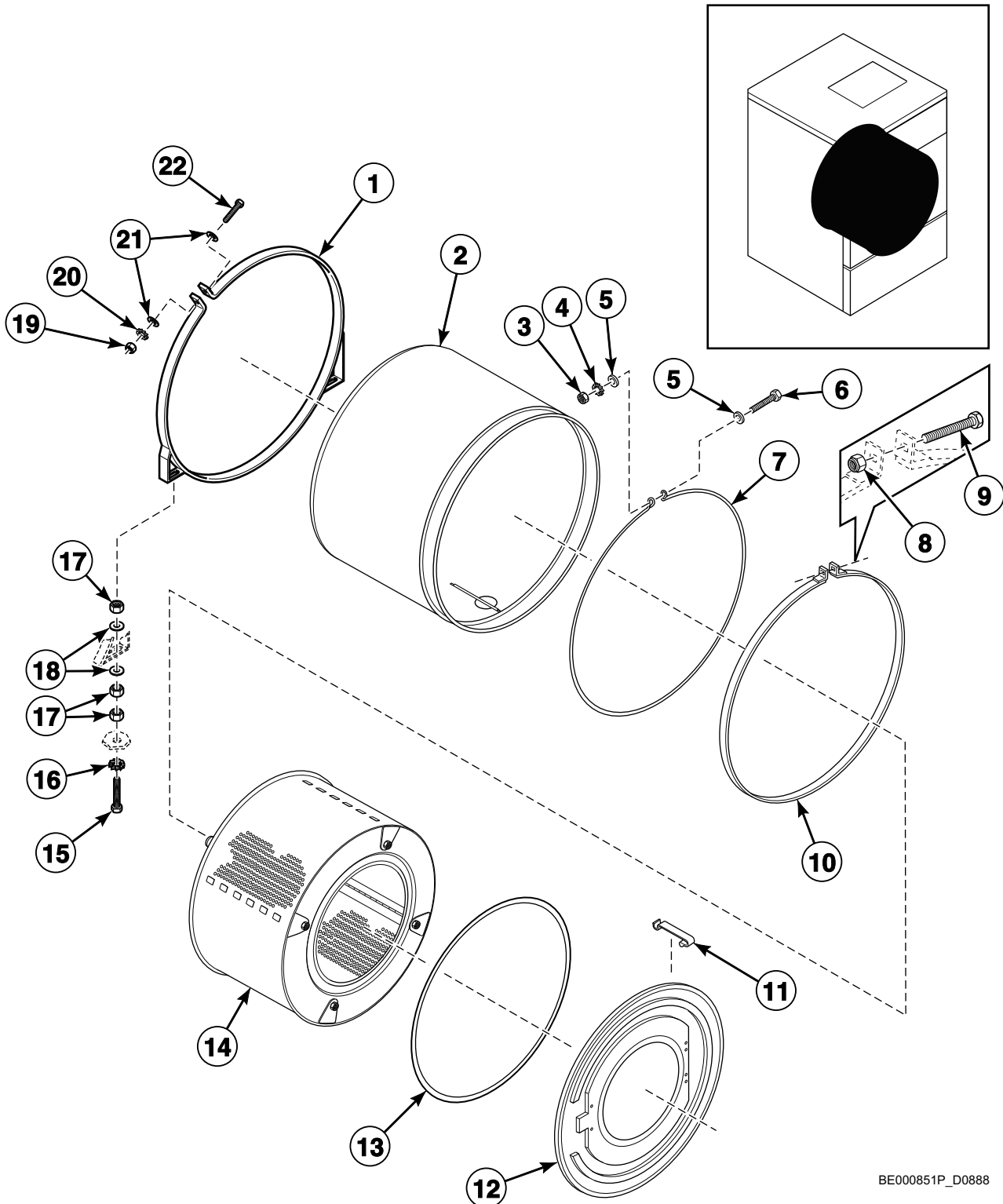
BE000851P_D0888

Shell and Basket - *55 and *235 Models

REF	PART NO.	DESCRIPTION	COMMENTS
1	212/00116/00	Tub Fastening Ring	
2	B12328901	Tub	Electric heat; Models through Serial No. 10080WJ0132
	B12329001	Tub	Hot water; Models through Serial No. 10080WJ0132
	N/A	Tub	Steam; Models through Serial No. 10080WJ0132
	B12331101	Tub	Electric heat; Models starting Serial No. 10080WJ0132
	B12331201	Tub	Hot water; Models starting Serial No. 10080WJ0132
	B12331301	Tub	Steam; Models starting Serial No. 10080WJ0132
3	204/00009/00	Nut	
4	203/00004/00	Washer	
5	201/00007/00	Washer	
6	206/00032/00	Bolt	
7	238/00011/00	Tub Clamp Ring	
8	204/00111/00	Nut	
9	206/00066/00	Bolt	
10	137/00008/00	Tub Mounting Strap	
11	217/00008/00	Tub Front Panel Clip	
12	138/00001/00	Tub Front	
13	B12351601	Tub Front Gasket	
14	B12327101	Cylinder and Shaft Assembly	Models through 1/30/11; Used with 119/00001/01 Seal Holder Assembly
	B12543201	Basket Kit	Models through 1/30/11; 3mm; Used with B12333701 Seal Plate Assembly; Includes B12380901 Basket and 3884P Bearing and Seal Kit
	B12380901	Basket	Models starting 1/31/11; 3 mm; Used with B12333701 Seal Plate Assembly
	B12381001	Basket	Models starting 1/31/11; 9 mm; Used with B12333701 Seal Plate Assembly
15	206/00029/00	Bolt	
16	203/00001/00	Washer	
17	204/00002/00	Nut	
18	201/00009/00	Washer	
19	204/00003/00	Nut	
20	203/00002/00	Washer	
21	201/00005/00	Washer	
22	206/00052/00	Bolt	

N/A = Part no longer available

Shell and Basket - *75 and *305 Models



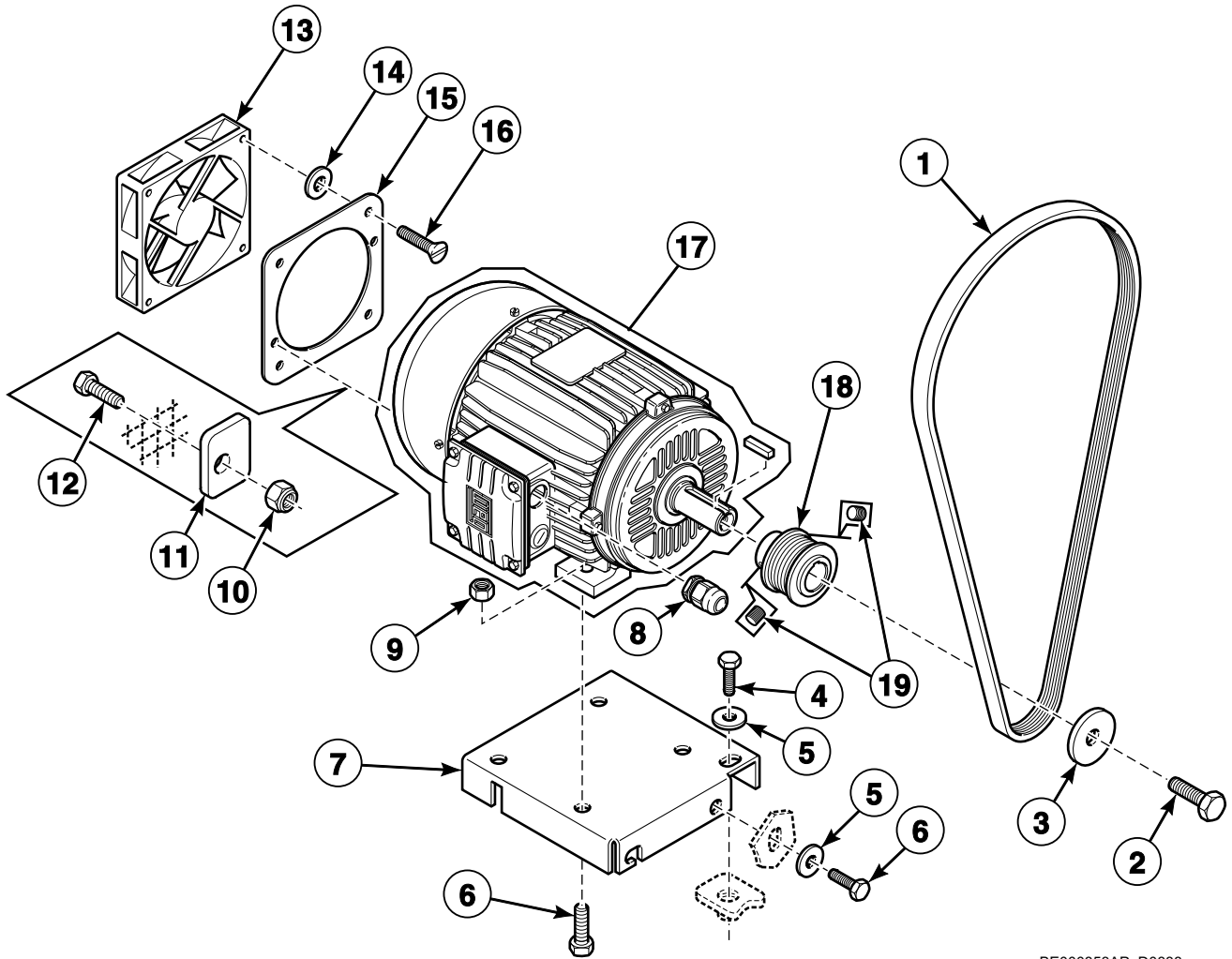
BE000851P_D0888

Shell and Basket - *75 and *305 Models

REF	PART NO.	DESCRIPTION	COMMENTS
1	212/00117/00	Tub Fastening Ring	
2	N/A	Tub	Electric heat; Models through Serial No. 10080WK0010
	N/A	Tub	Hot water; Models through Serial No. 10080WK0010
	N/A	Tub	Steam; Models through Serial No. 10080WK0010
	B12331401	Tub	Electric heat; Models starting Serial No. 10080WK0010
	B12331501	Tub	Hot water; Models starting Serial No. 10080WK0010
	B12331601	Tub	Steam; Models starting Serial No. 10080WK0010
3	204/00009/00	Nut	
4	203/00004/00	Washer	
5	201/00007/00	Washer	
6	206/00032/00	Bolt	
7	231/00010/00	Tub Front Ring Clamp	
8	204/00111/00	Nut	
9	206/00066/00	Bolt	
10	131/00010/00	Tub Strap	
11	217/00008/00	Tub Front Panel Clip	
12	131/00002/00	Front Panel	
13	223/00242/00	Tub Front Gasket	
14	B12327301	Drum	
15	206/00029/00	Bolt	
16	203/00001/00	Washer	
17	204/00002/00	Nut	
18	201/00009/00	Washer	
19	204/00003/00	Nut	
20	203/00002/00	Washer	
21	201/00005/00	Washer	
22	206/00052/00	Bolt	

N/A = Part no longer available

Motor and Belt - *55 and *235 Models Through 1/17/10

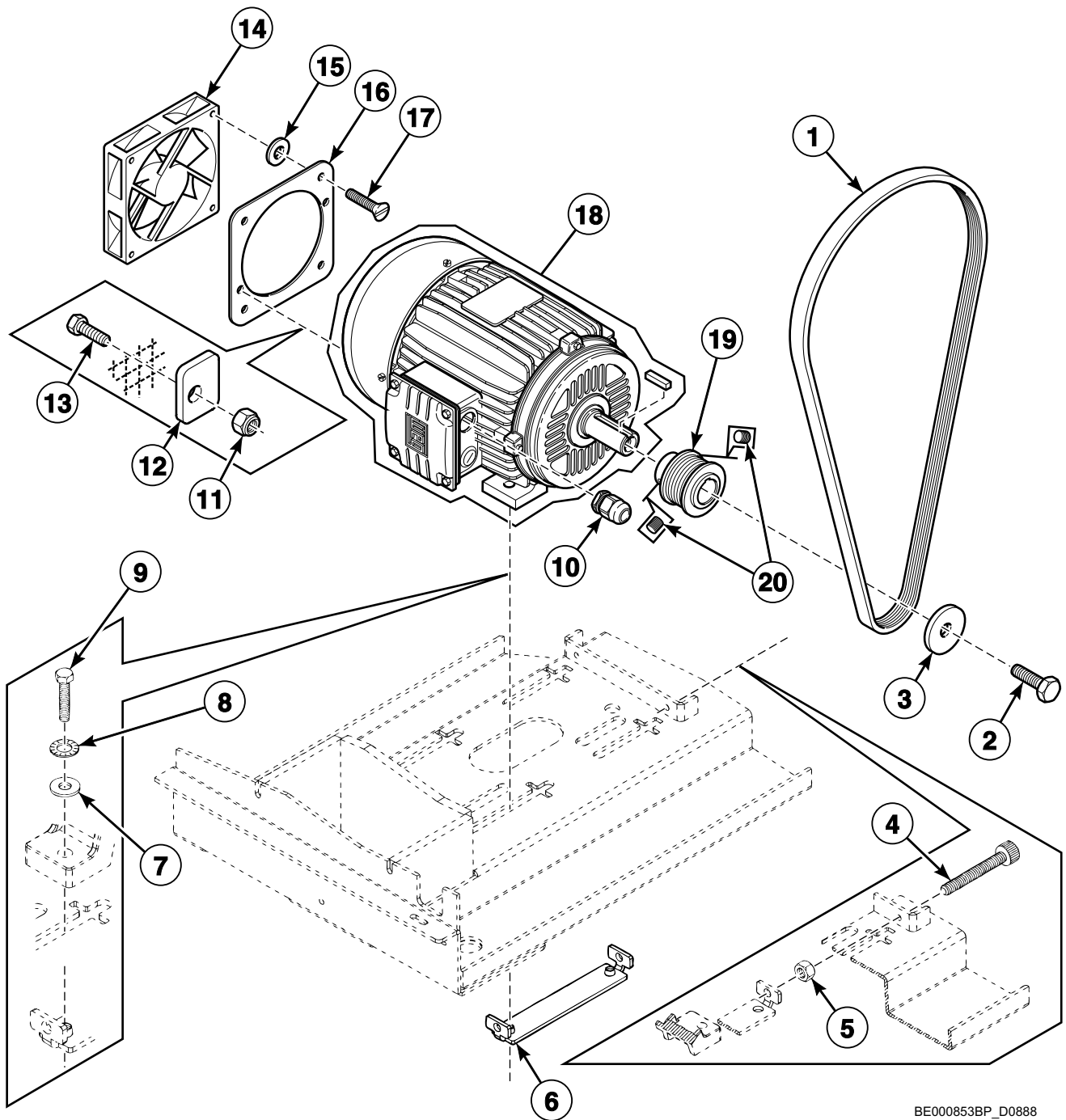


BE000853AP_D0888

Motor and Belt - *55 and *235 Models Through 1/17/10

REF	PART NO.	DESCRIPTION	COMMENTS
1	226/00133/00	Belt	
2	206/00006/00	Bolt	
3	201/00004/00	Washer	
4	206/00110/00	Bolt	
5	201/00010/00	Washer	
6	206/00119/00	Bolt	
7	115/10235/00	Motor Mounting Plate	
8	211/00168/00	Cordlock	
9	204/00110/00	Nut	
10	204/00115/00	Nut	
11	117/00042/00	Retaining Ring	
12	206/00054/00	Bolt	
13	209/00287/00	Cooling Fan	
14	217/00021/00	O-Ring	
15	111/00243/00	Intermediate Fan Motor Plate	
16	207/00021/00	Screw	
17	B12510701	Motor	Order replacement motor pulley when replacing motor
18	226/00131/00	Motor Pulley	
19	206/00049/00	Screw	

Motor and Belt - *55 and *235 Models Starting 1/18/10

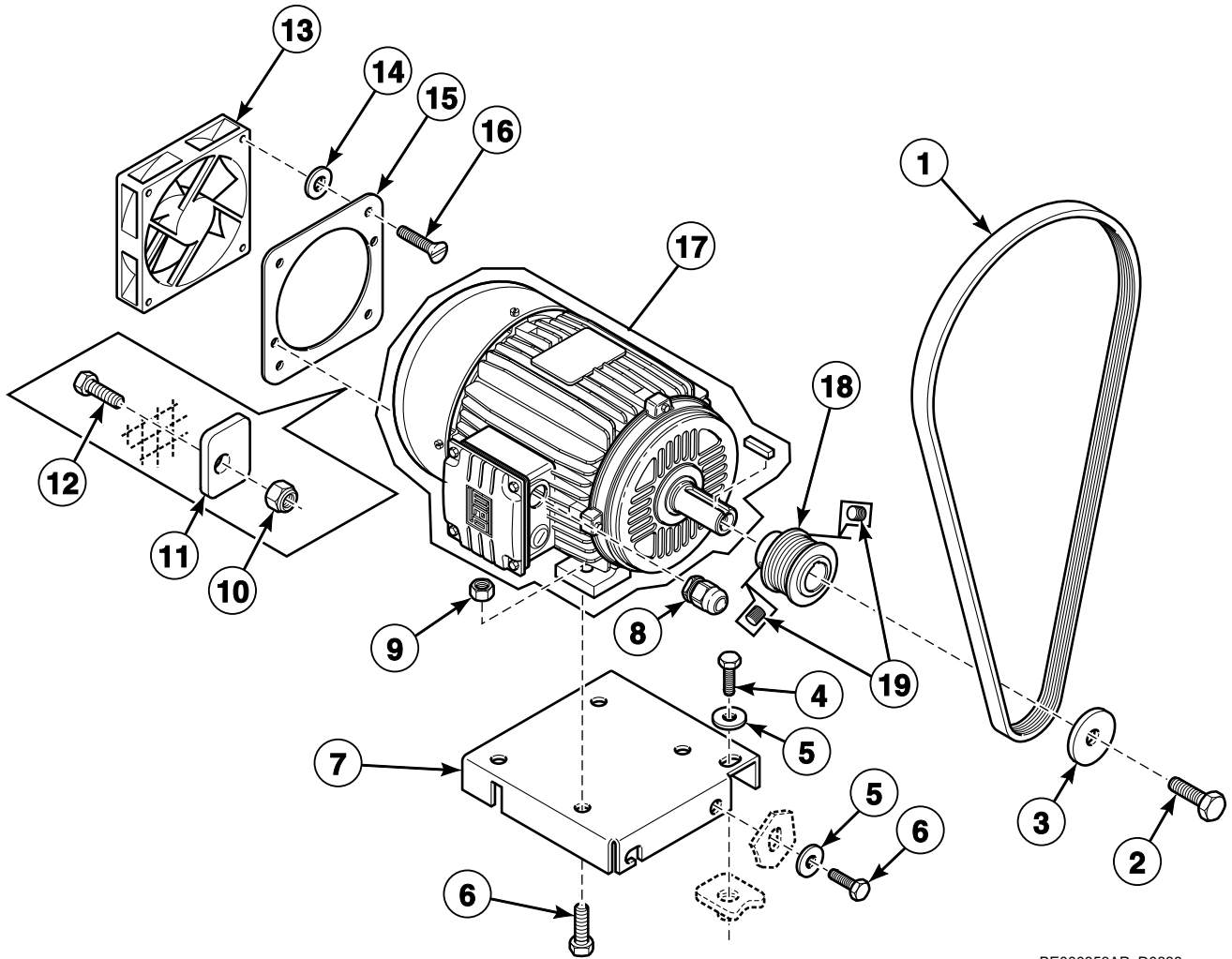


BE000853BP_D0888

Motor and Belt - *55 and *235 Models Starting 1/18/10

REF	PART NO.	DESCRIPTION	COMMENTS
1	226/00133/00	Belt	
2	206/00006/00	Bolt	
3	201/00004/00	Washer	
4	208/00134/00	Bolt	
5	204/00004/00	Nut	
6	212/00121/01	Motor Clamp	
7	202/00002/00	Washer	
8	201/00028/00	Washer	
9	206/00009/00	Bolt	
10	211/00168/00	Cordlock	
11	204/00115/00	Nut	
12	117/00042/00	Retaining Ring	
13	206/00054/00	Bolt	
14	209/00287/00	Cooling Fan	
15	217/00021/00	O-Ring	
16	111/00243/00	Intermediate Fan Motor Plate	
17	207/00021/00	Screw	
18	B12510701	Motor	Order replacement motor pulley when replacing motor
19	226/00131/00	Motor Pulley	
20	206/00049/00	Screw	

Motor and Belt - *75 and *305 Models

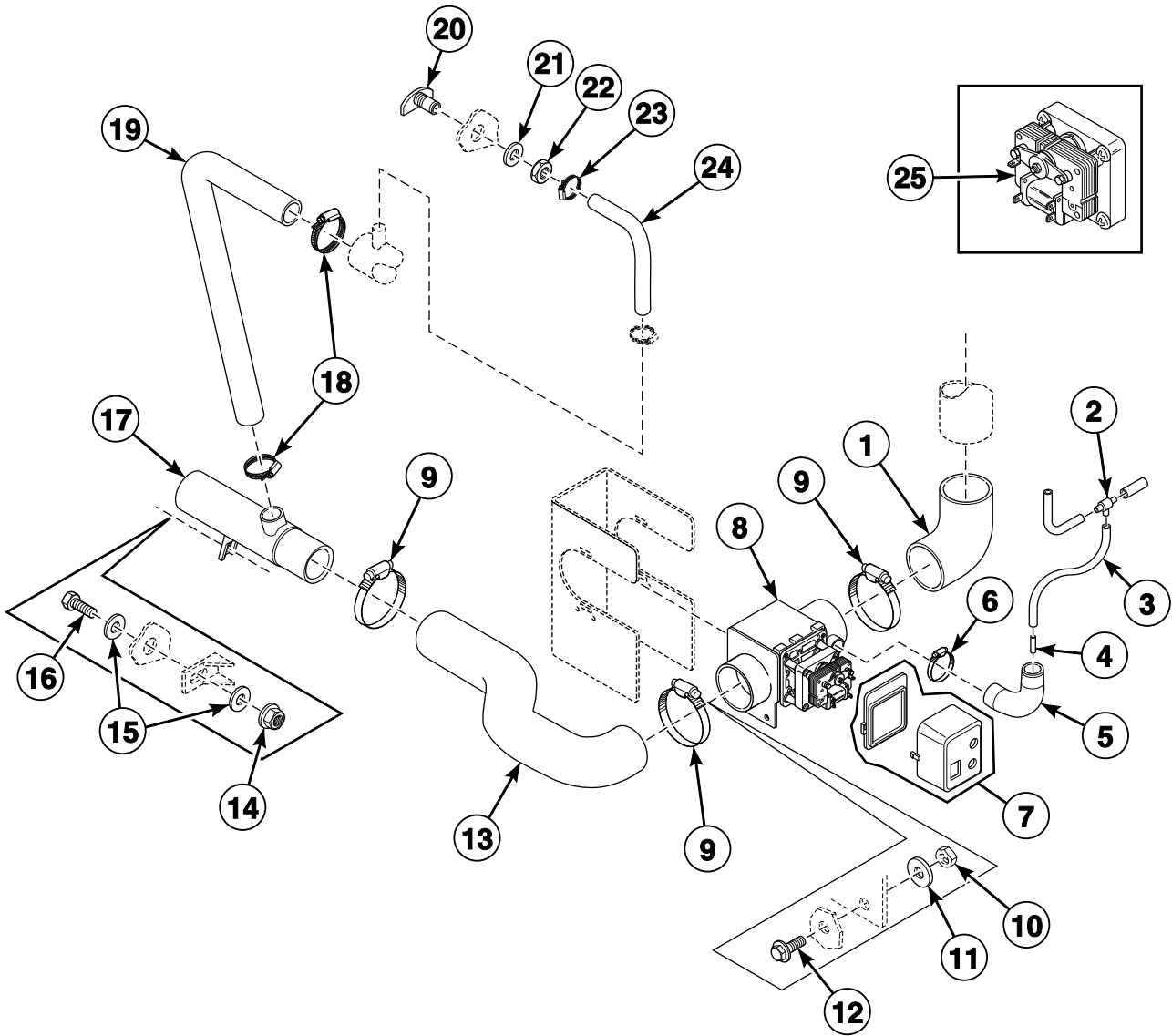


BE000853AP_D0888

Motor and Belt - *75 and *305 Models

REF	PART NO.	DESCRIPTION	COMMENTS
1	226/00134/00	Belt	
2	206/00005/00	Bolt	
3	201/00004/00	Washer	
4	206/00110/00	Bolt	
5	201/00010/00	Washer	
6	206/00005/00	Bolt	
7	115/10305/00	Motor Plate	
8	211/00168/00	Cordlock	
9	204/00110/00	Nut	
10	204/00115/00	Nut	
11	117/00042/00	Retaining Ring	
12	206/00054/00	Bolt	
13	209/00287/00	Cooling Fan	
14	217/00021/00	O-Ring	
15	111/00243/00	Intermediate Fan Motor Plate	
16	207/00002/00	Screw	
17	B12510901	Motor	Order replacement motor pulley when replacing motor
18	226/00131/00	Motor Pulley	
19	206/00049/00	Screw	

Drain Plumbing

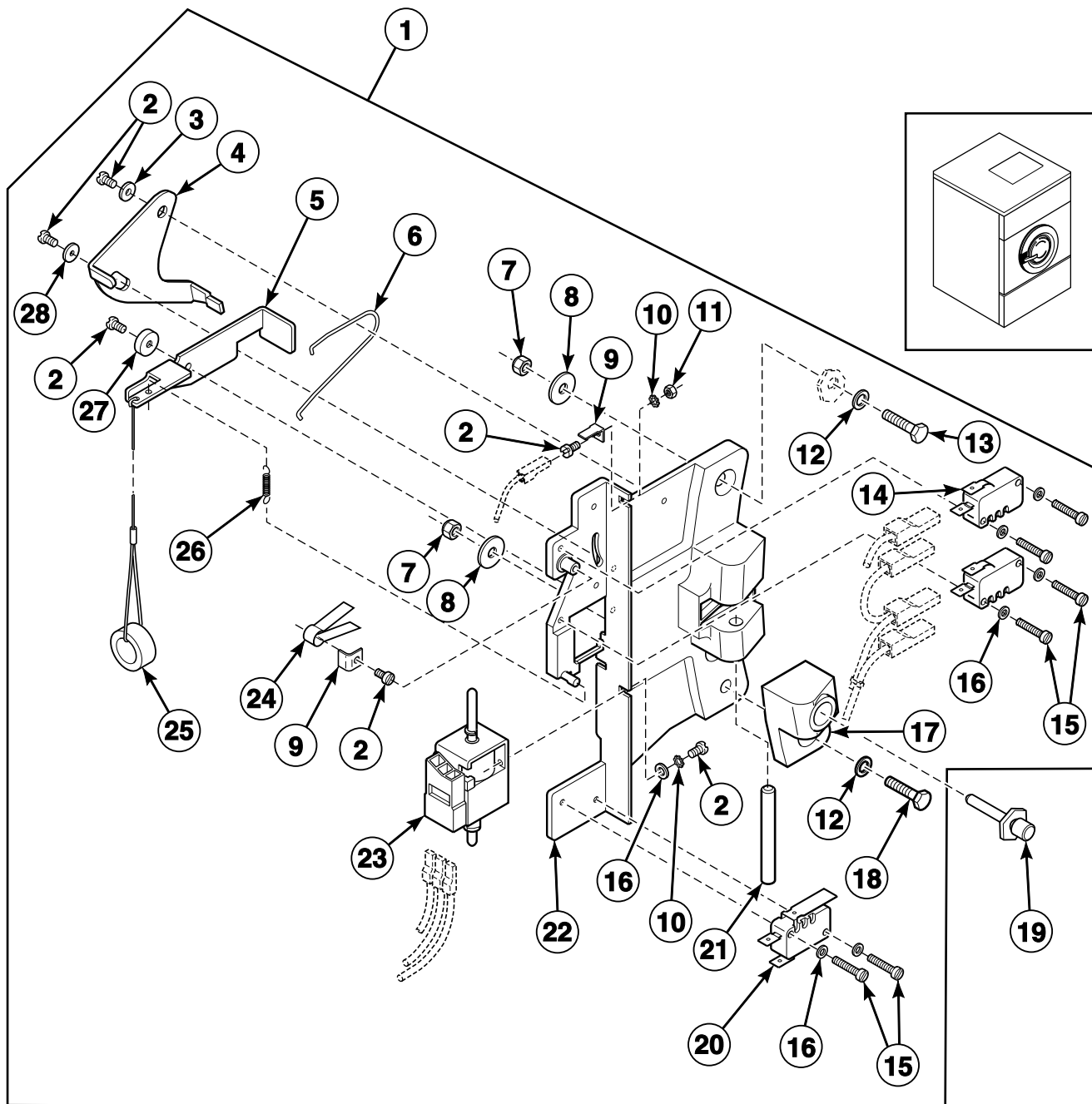


CFD327P_D0888

Drain Plumbing

REF	PART NO.	DESCRIPTION	COMMENTS
1	223/00327/00	Tub to Drain Valve Hose	
2	223/00173/10	Pressure Switch Hose Tee	
3	223/00333/00	Pressure Hose	
4	223/00016/00	Hose Barb	
5	223/00210/00	Pressure Switch Elbow	
6	223/00011/00	Hose Clamp	
7	209/00643/01	Drain Valve Coil Cover	
8	209/00644/00	Drain Valve	
9	223/00071/00	Hose Clamp	
10	204/00009/00	Nut	*55 and *235 models starting 1/18/10
11	202/00002/00	Washer	*55 and *235 models starting 1/18/10
12	206/00099/00	Bolt	*55 and *235 models starting 1/18/10
13	223/00328/00	Drain Valve to Drain Tube Hose	
14	206/00101/00	Nut	
15	201/00007/00	Washer	
16	206/00033/00	Bolt	
17	223/00106/00	Drain Pipe	
18	223/00013/00	Hose Clamp	
19	223/00131/00	Overflow Hose	
20	223/00001/04	Prewash and Mainwash Nozzle	
21	201/00002/00	Washer	
22	204/00201/00	Nut	
23	223/00010/00	Hose Clamp	
24	223/00044/00	Water Hose	
25	209/00644/11	Motor	

Door Lock

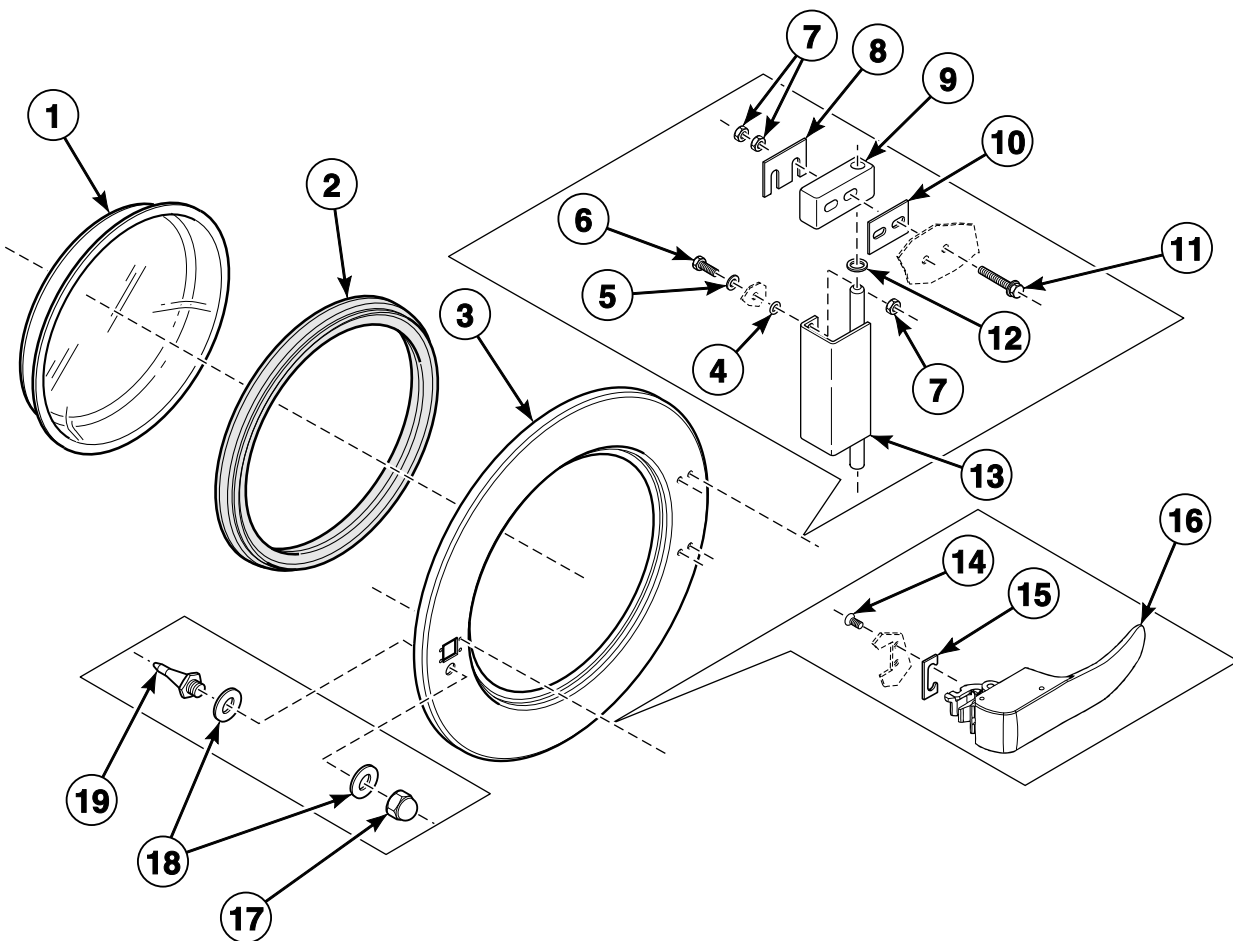


CFD543P_D0888

Door Lock

REF	PART NO.	DESCRIPTION	COMMENTS
1	217/00052/00A	Door Lock Assembly	
2	207/00135/00	Screw	
3	201/00017/00	Washer	
4	217/00052/05	Switch Lever	
5	217/00052/04	Interlock Lever	
6	224/00040/00	Lever Spring	
7	204/00009/00	Nut	
8	201/00006/00	Washer	
9	210/10015/00	Ground Terminal	
10	203/00007/00	Washer	
11	204/00008/00	Nut	
12	202/00101/00	Washer	
13	205/00103/00	Bolt	
14	209/00272/00	Door Lock Microswitch	
15	207/00009/00	Screw	
16	201/00018/00	Washer	
17	217/00052/11	Door Lock Bracket	
18	205/00115/00	Bolt	
19	211/00109/02	Door Lock Pin Kit	
20	209/00273/00	Light Microswitch	
21	217/00017/03	Lock Shaft	
22	217/00052/01A	Door Lock Assembly	
23	209/00703/50	Door Solenoid	
24	224/00049/00	Door Lock Spring	
25	217/00052/07	Door Release Wire	
26	224/00043/00	Interlock Coil Spring	
27	217/00052/03	Door Lock Spacer	
28	202/00124/00	Washer	

Door

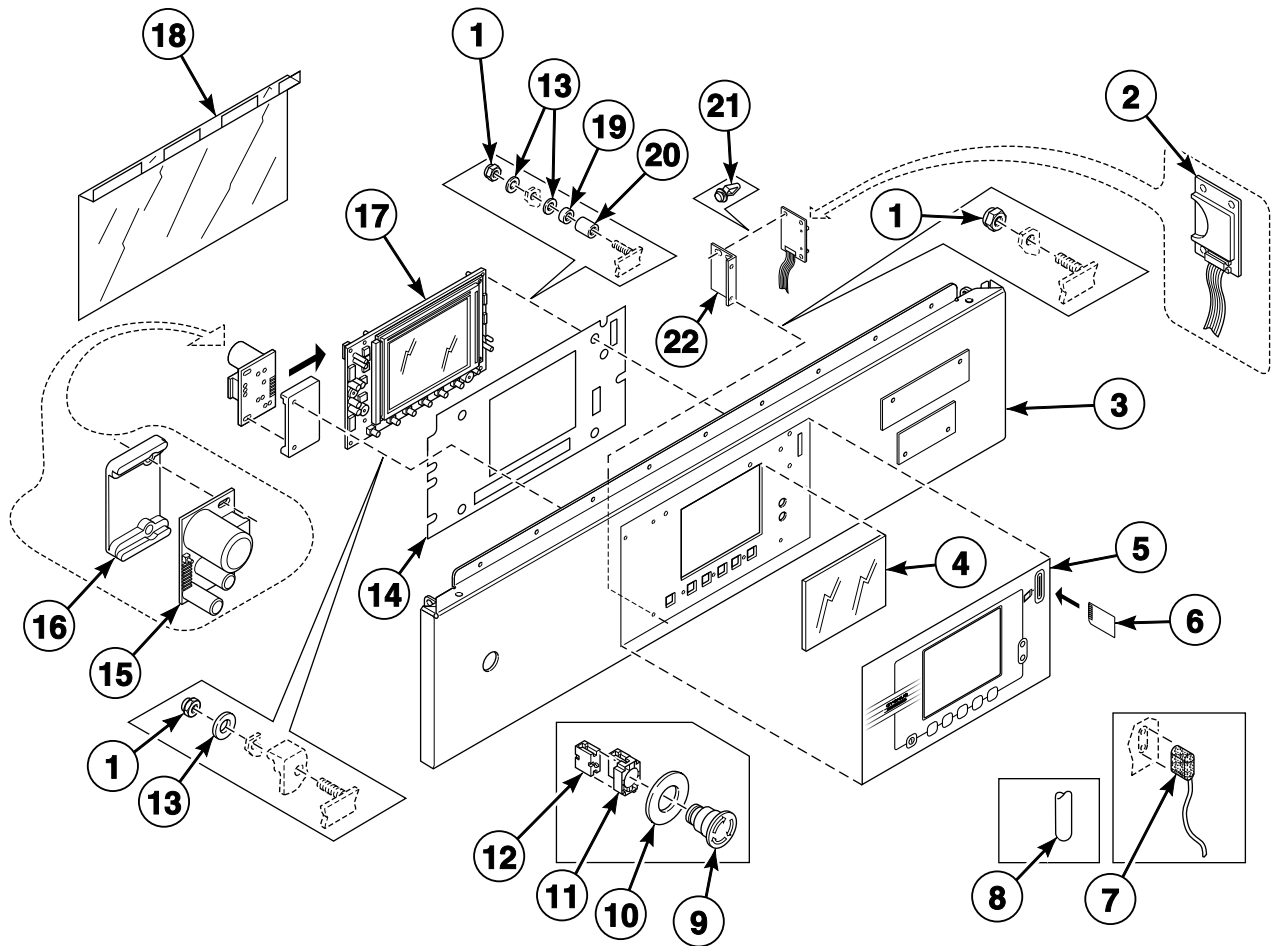


BE000190CP_D0888

Door

REF	PART NO.	DESCRIPTION	COMMENTS
1	B12449801	Door Glass	
2	223/00068/00	Door Glass Seal	
3	118/00125/00	Door	
4	217/00021/00	O-Ring	
5	202/00101/00	Washer	
6	205/00104/00	Bolt	
7	204/00106/00	Nut	
8	111/00003/00	Door Hinge Plate Assembly	
9	253/00022/00	Door Hinge Block	
10	118/00122/00	Door Hinge Spacer	1.5 mm
	118/00124/00	Door Hinge Spacer	2 mm
11	207/00126/00	Screw	
12	202/00104/00	Washer	
13	221/00004/00	Hinge	
14	B12500801	Screw	
15	217/00016/00	Door Handle Stop	
16	217/00059/00	Door Handle	
17	204/00103/00	Nut	
18	202/00111/00	Washer	
19	211/00109/02	Door Lock Pin Kit	

Control Panel - Cygnus Professional

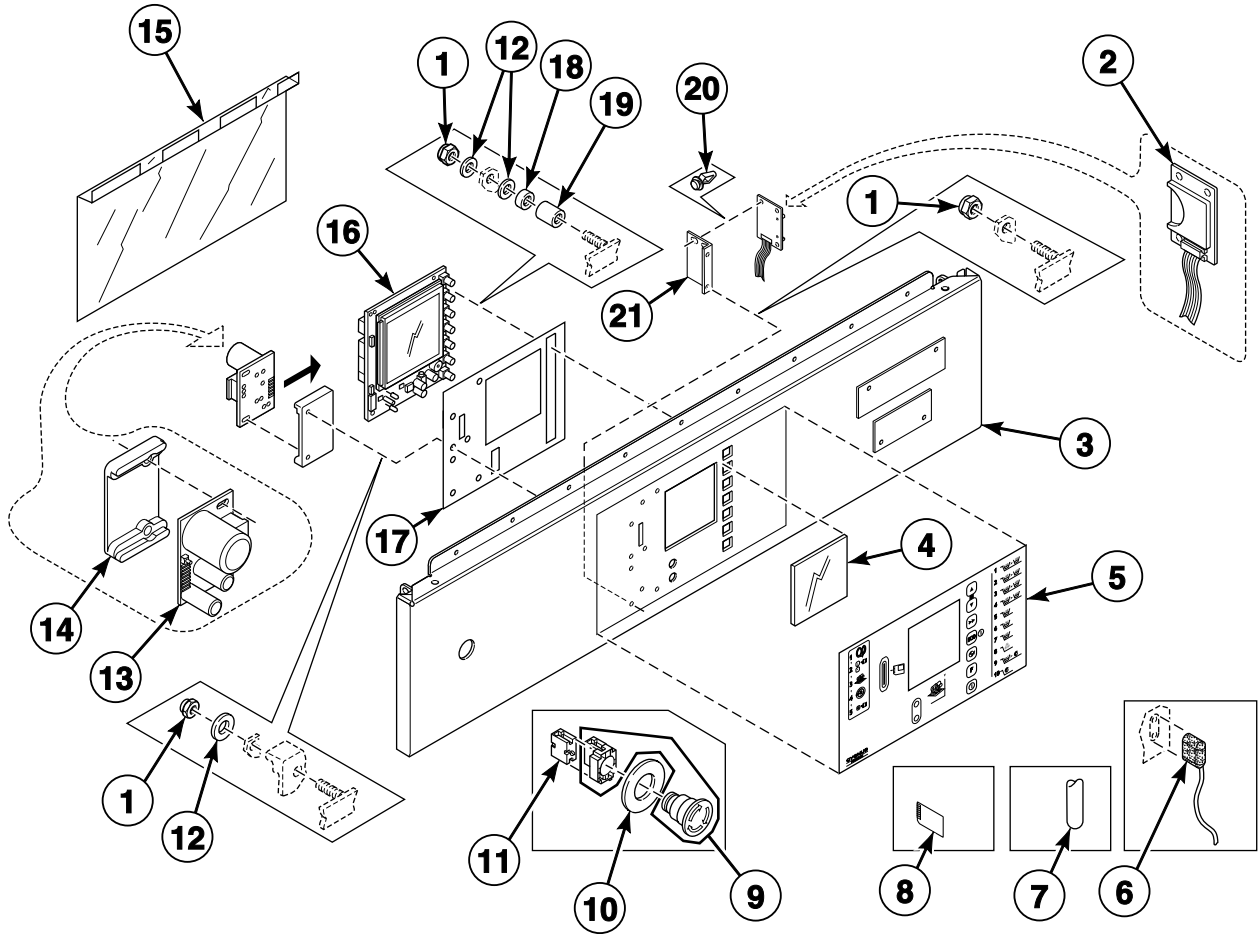


BE000855AP_D0888

Control Panel - Cygnus Professional

REF	PART NO.	DESCRIPTION	COMMENTS
1	204/00116/00	Nut	
2	B12305201	Memory Card PC-Board	Models prior to 4/5/11 require a firmware upgrade
	B12538301	Data Card Ribbon Assembly	
3	111/00301/30	Control Panel	Models IWF235ZNM and WFF235_CYGNUS-PRO
	111/00331/30	Control Panel	Models IWF305ZNM and WFF305_CYGNUS-PRO
4	225/00321/00	Plexi Frame	
5	225/10313/00	Operating Sticker	
6	209/02022/00	Datacard	
7	210/00901/00	Optic Cable	
8	223/00348/00	Datacard Cover	
9	209/00248/20	Mushroom Pushbutton	
10	209/00520/00	Telem Sticker	
11	209/00099/20	Emergency Switch Pushbutton	
12	209/00099/26	Contact Switch	
13	223/00123/00	Washer	
14	229/00268/00	Insulating Sticker	
15	209/02010/00	Door Lock PC-Board	
16	223/00374/00	Mounting Plate	
17	209/02002/00	Display PC-Board	
18	229/00289/00	Circuit Board Cover	
19	211/00128/00	Printboard Separator	
20	211/00122/00	Standoff	
21	211/00145/00	Standoff	
22	111/01893/00	Printboard Support Card	

Control Panel - Cygnus Premium OPL

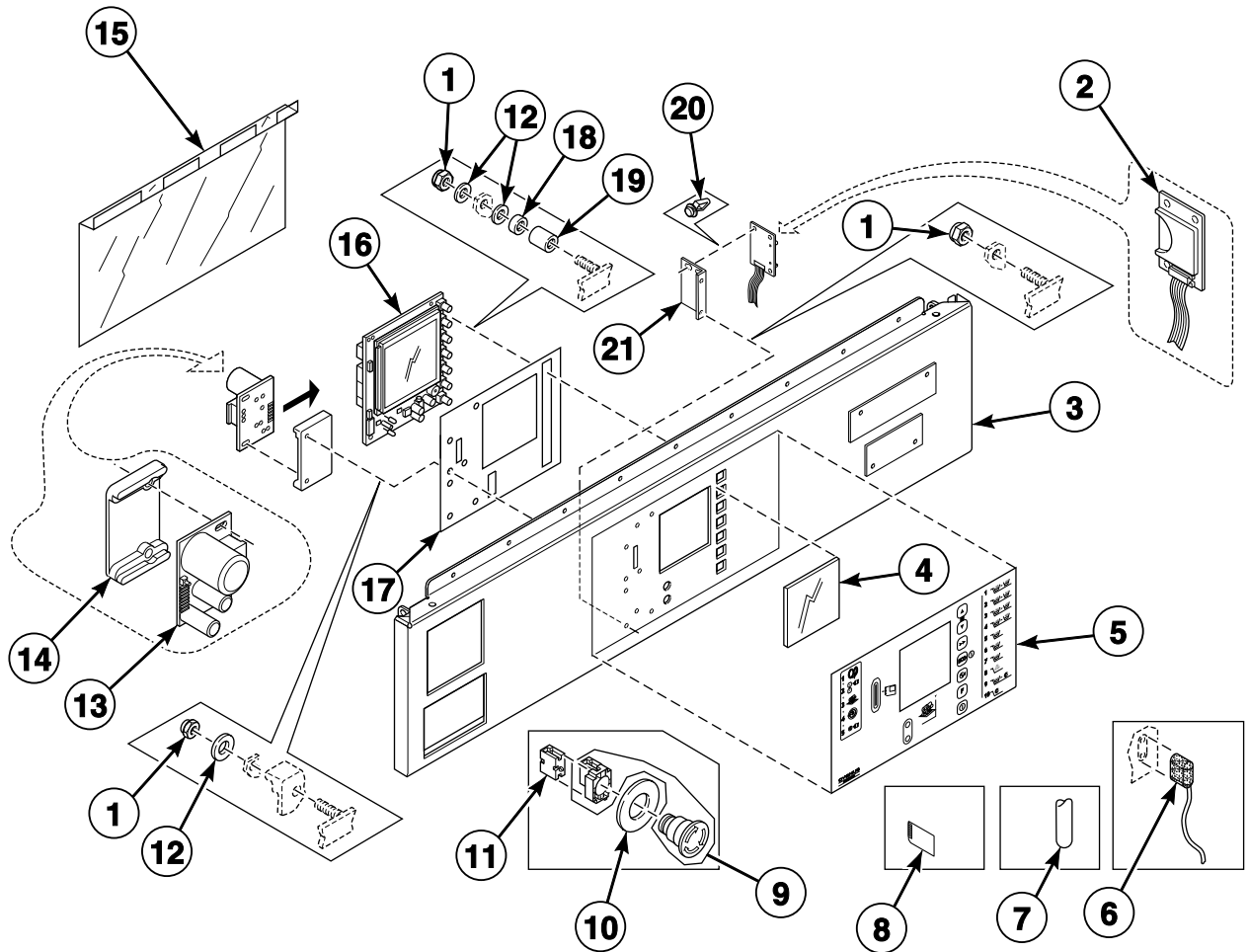


BE000881P_D0888

Control Panel - Cygnus Premium OPL

REF	PART NO.	DESCRIPTION	COMMENTS
1	204/00116/00	Nut	
2	B12305201	Memory Card PC-Board	Models prior to 4/5/11 require a firmware upgrade
	B12538301	Data Card Ribbon Assembly	
3	111/00331/33	Control Panel	Model WFF305_CYGNUS-PREM_OPL
	111/00301/33	Control Panel	Model WFF235_CYGNUS-PREM_OPL
4	225/00323/00	Plexi Frame	
5	225/10404/00	Operating Sticker	With DataFlash card opening
	225/10427/00	Operating Sticker	Without DataFlash card opening
6	210/00901/00	Optic Cable	
7	223/00348/00	Datacard Cover	
8	209/02022/00	Datacard	
9	209/00099/20	Emergency Switch Pushbutton	
10	209/00520/00	Telem Sticker	
11	209/00099/26	Contact Switch	
12	223/00123/00	Washer	
13	209/02010/00	Door Lock PC-Board	
14	223/00374/00	Mounting Plate	
15	229/00289/00	Circuit Board Cover	
16	209/02015/02	Printboard	
17	229/00291/00	Insulating Sticker	
18	211/00128/00	Printboard Separator	
19	211/00122/00	Standoff	
20	211/00145/00	Standoff	
21	111/01893/00	Printboard Support Card	

Control Panel - Cygnus Premium Coin

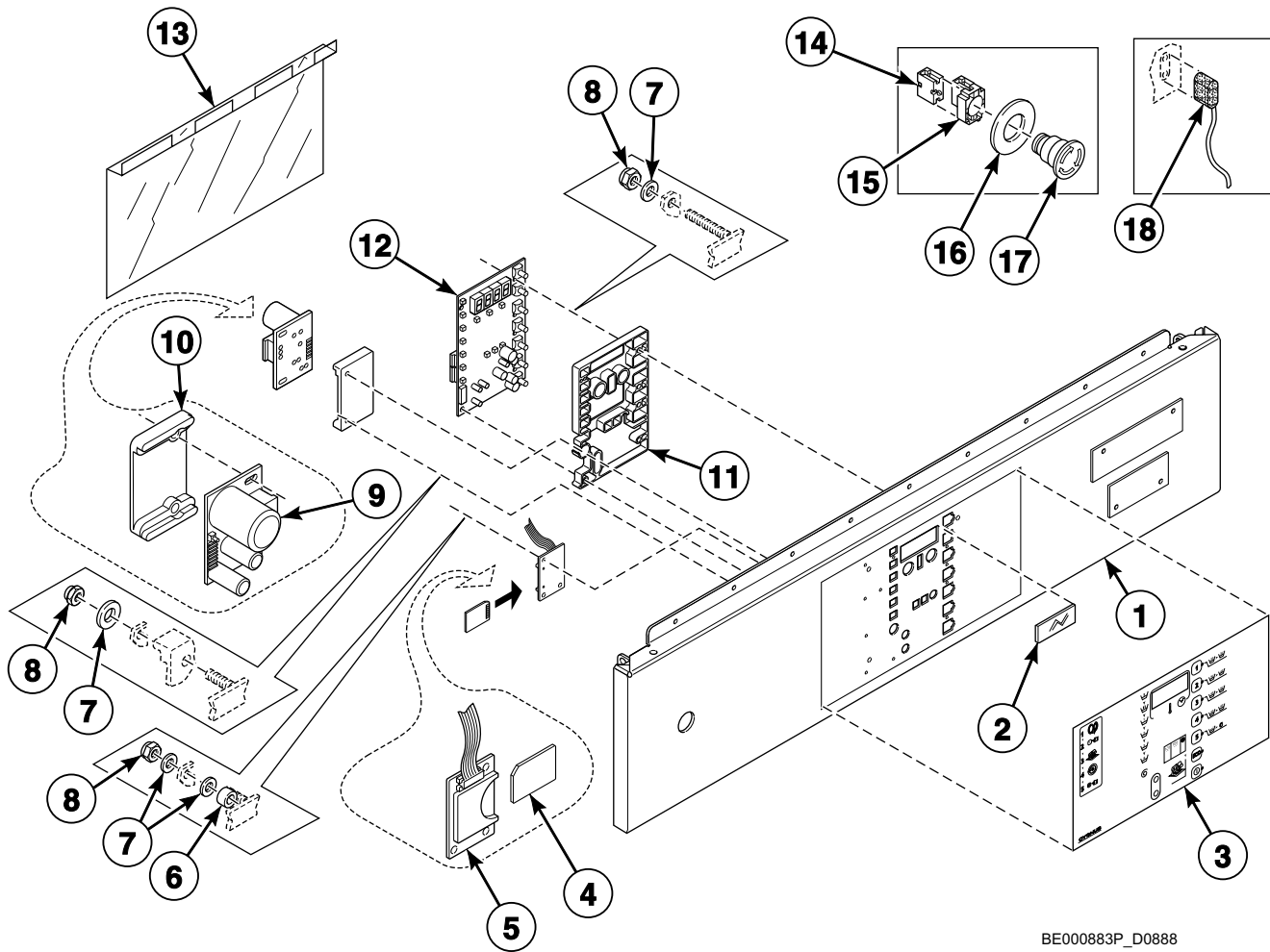


BE000882P_D0888

Control Panel - Cygnus Premium Coin

REF	PART NO.	DESCRIPTION	COMMENTS
1	204/00116/00	Nut	
2	B12305201	Memory Card PC-Board	Models prior to 4/5/11 require a firmware upgrade
	B12538301	Data Card Ribbon Assembly	
3	111/00331/34	Control Panel	Model WFF305_CYGNUS-PREM_COIN
	111/00301/34	Control Panel	Model WFF235_CYGNUS-PREM_COIN
4	225/00323/00	Plexi Frame	
5	225/10405/00	Operating Sticker	With ECO
	225/10477/00	Operating Sticker	Without ECO
6	210/00901/00	Optic Cable	
7	223/00348/00	Datacard Cover	
8	209/02022/00	Datacard	
9	209/00099/20	Emergency Switch Pushbutton	
10	209/00520/00	Telem Sticker	
11	209/00099/26	Contact Switch	
12	223/00123/00	Washer	
13	209/02010/00	Door Lock PC-Board	
14	223/00374/00	Mounting Plate	
15	229/00289/00	Circuit Board Cover	
16	209/02015/02	Printboard	
17	229/00291/00	Insulating Sticker	
18	211/00128/00	Printboard Separator	
19	211/00122/00	Standoff	
20	211/00145/00	Standoff	
21	111/01893/00	Printboard Support Card	

Control Panel - Cygnus Standard/Commercial OPL

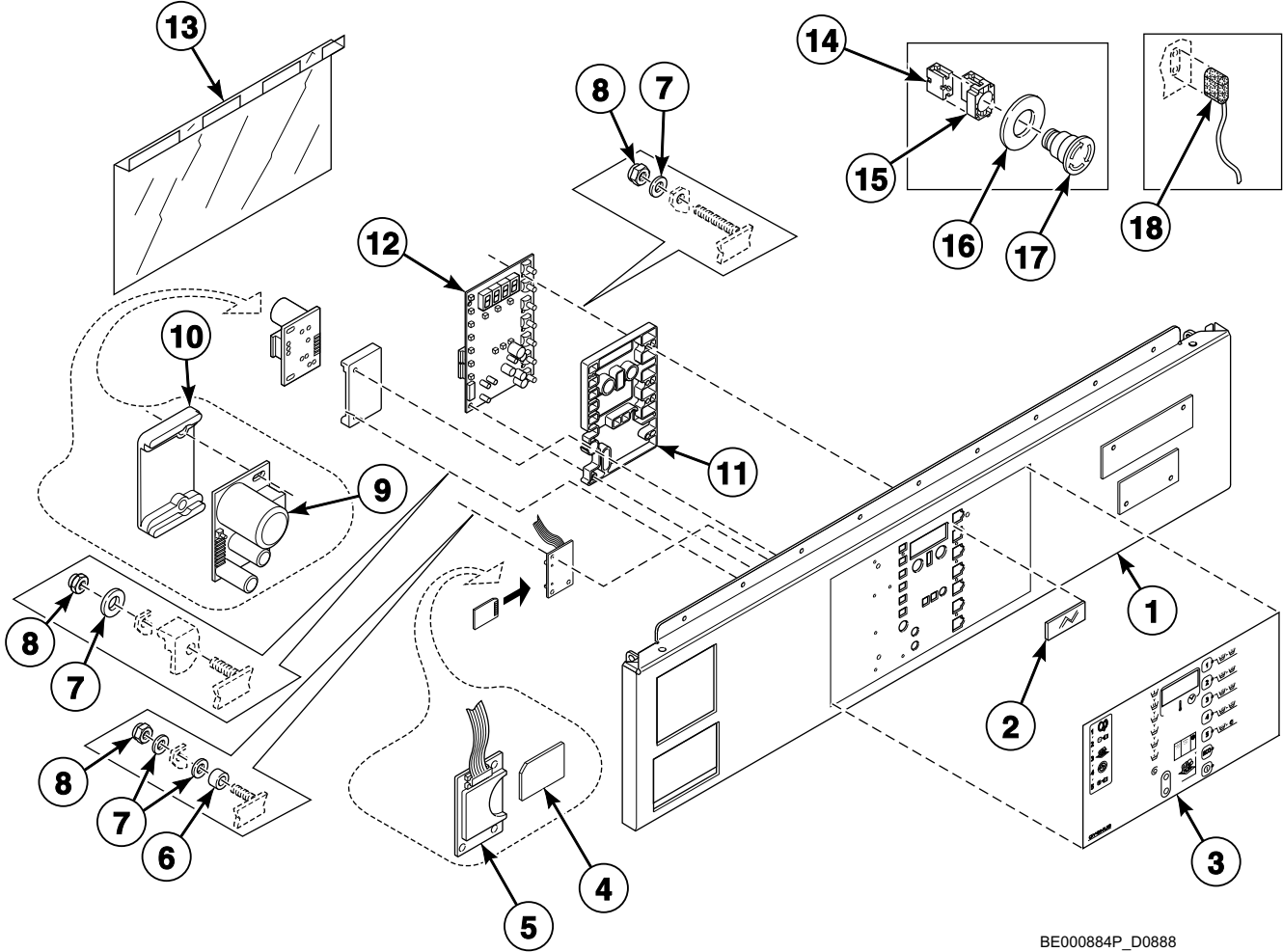


BE000883P_D0888

Control Panel - Cygnus Standard/Commercial OPL

REF	PART NO.	DESCRIPTION	COMMENTS
1	111/00331/31	Control Panel	Models WFF305_CYGNUS-COMM_OPL and WFF305_CYGNUS-STANDARD_OPL
	111/00301/31	Control Panel	Models WFF235_CYGNUS-COMM_OPL and WFF235_CYGNUS-STANDARD_OPL
2	225/00322/00	Plexi Frame	
3	225/10307/00	Operating Sticker	Models WFF235_CYGNUS-STANDARD_OPL and WFF305_CYGNUS-STANDARD_OPL
	225/10308/00	Operating Sticker	Models WFF235_CYGNUS-COMM_OPL and WFF305_CYGNUS-COMM_OPL
4	209/02022/00	Datacard	
5	B12305201	Memory Card PC-Board	Models prior to 4/5/11 require a firmware upgrade
	B12538301	Data Card Ribbon Assembly	
6	211/00128/00	Printboard Separator	
7	223/00123/00	Washer	
8	204/00116/00	Nut	
9	209/02010/00	Door Lock PC-Board	
10	223/00374/00	Mounting Plate	
11	223/00330/00	Protection LED	
12	209/02001/02	Printboard	
13	229/00289/00	Circuit Board Cover	
14	209/00099/26	Contact Switch	
15	209/00099/20	Emergency Switch Pushbutton	
16	209/00520/00	Telem Sticker	
17	209/00248/20	Mushroom Pushbutton	
18	210/00901/00	Optic Cable	

Control Panel - Cygnus Standard/Commercial Coin

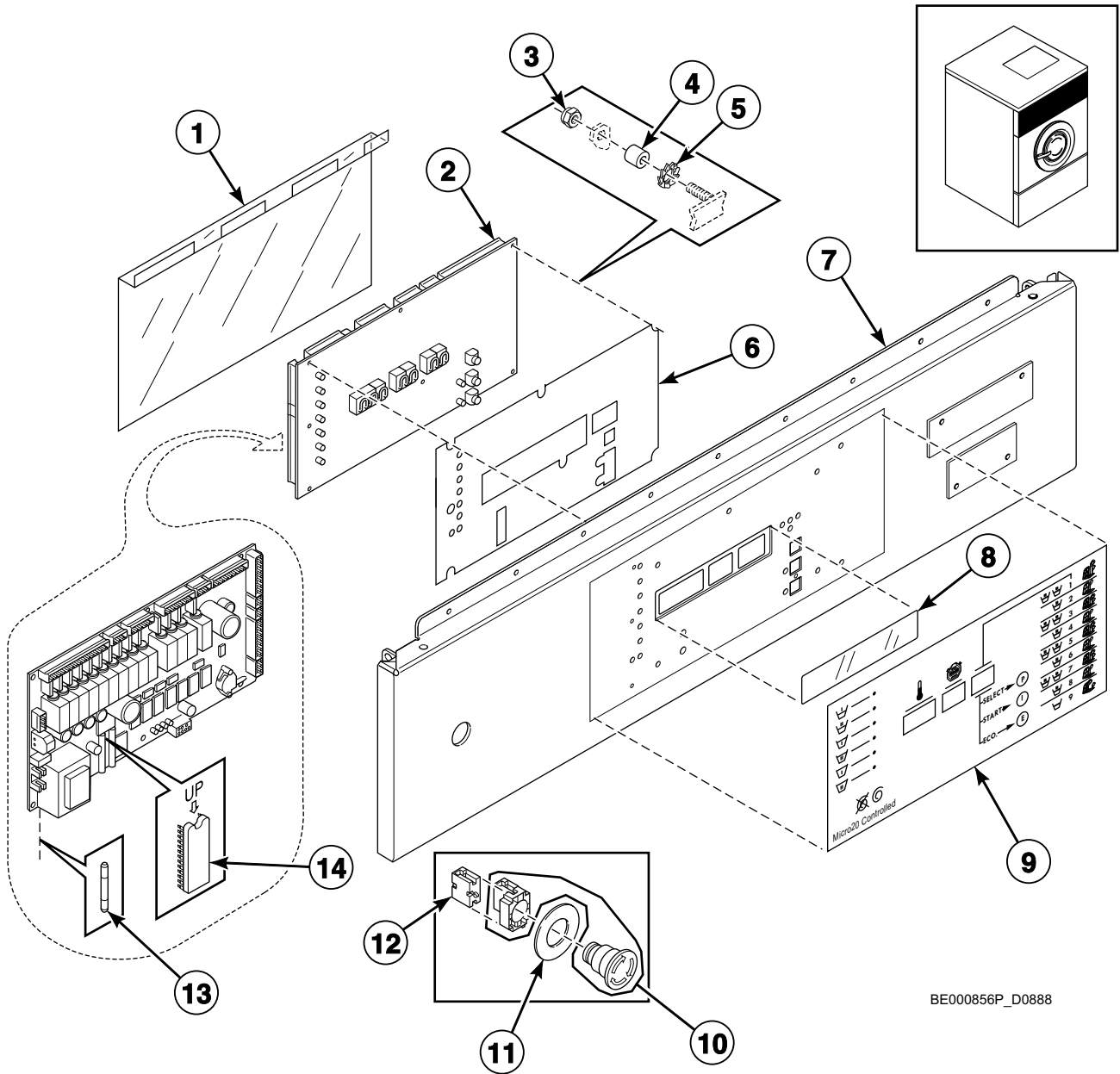


BE000884P_D0888

Control Panel - Cygnus Standard/Commercial Coin

REF	PART NO.	DESCRIPTION	COMMENTS
1	111/00331/32	Control Panel	Models WFF305_CYGNUS-COMM_COIN and WFF305_CYGNUS-STANDARD_COIN
	111/00301/32	Control Panel	Models WFF235_CYGNUS-COMM_COIN and WFF235_CYGNUS-STANDARD_COIN
2	225/00322/00	Plexi Frame	
3	225/10307/00	Operating Sticker	Models WFF235_CYGNUS-STANDARD_COIN and WFF305_CYGNUS-STANDARD_COIN
	225/10308/00	Operating Sticker	Models WFF235_CYGNUS-COMM_COIN and WFF305_CYGNUS-COMM_COIN
4	209/02022/00	Datacard	
5	B12305201	Memory Card PC-Board	Models prior to 4/5/11 require a firmware upgrade
	B12538301	Data Card Ribbon Assembly	
6	211/00128/00	Printboard Separator	
7	223/00123/00	Washer	
8	204/00116/00	Nut	
9	209/02010/00	Door Lock PC-Board	
10	223/00374/00	Mounting Plate	
11	223/00330/00	Protection LED	
12	209/02001/02	Printboard	
13	229/00289/00	Circuit Board Cover	
14	209/00099/26	Contact Switch	
15	209/00099/20	Emergency Switch Pushbutton	
16	209/00520/00	Telem Sticker	
17	209/00248/20	Mushroom Pushbutton	
18	210/00901/00	Optic Cable	

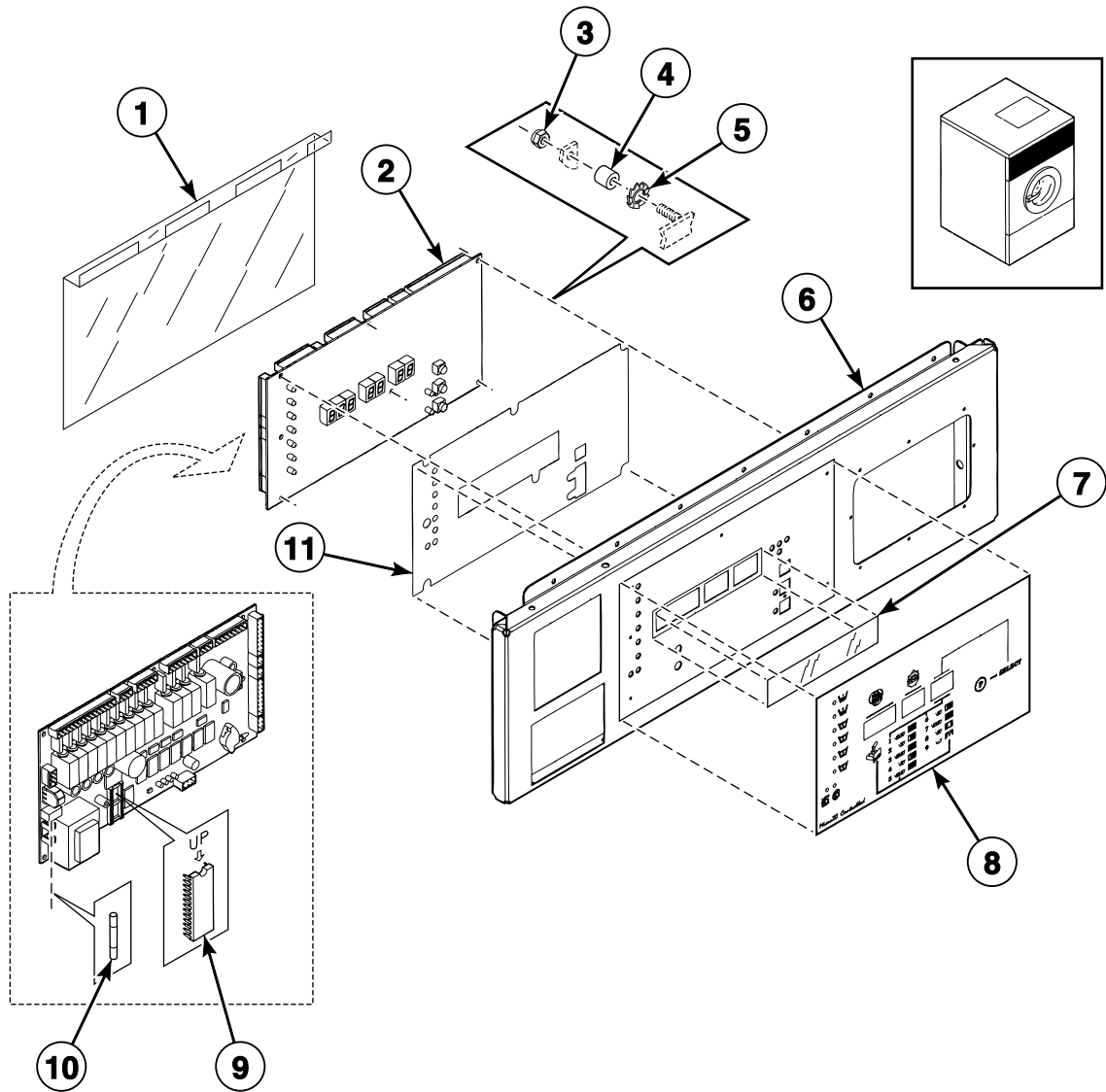
Control Panel - Micro-20 OPL



Control Panel - Micro-20 OPL

REF	PART NO.	DESCRIPTION	COMMENTS
1	229/00289/00	Circuit Board Cover	
2	209/00440/70	Printboard	220 Volt
	209/00440/80	Printboard	115 Volt
3	204/00116/00	Nut	
4	211/00122/00	Standoff	
5	203/00006/00	Washer	
6	229/00255/00	Insulating Sticker	
7	111/00301/00	Control Panel	*55 and *235 models
	111/00331/00	Control Panel	*75 and *305 models
8	225/00316/00	Plexi Frame	
9	225/00407/00	Keypad Sticker	With ECO
	225/00408/00	Operating Sticker	Without ECO
10	209/00248/20	Mushroom Pushbutton	
11	209/00520/00	Telem Sticker	
12	209/00099/26	Contact Switch	
13	209/00439/00	Fuse	500 mA
14	209/00266/01	Eprom	

Control Panel - Micro-20 Coin

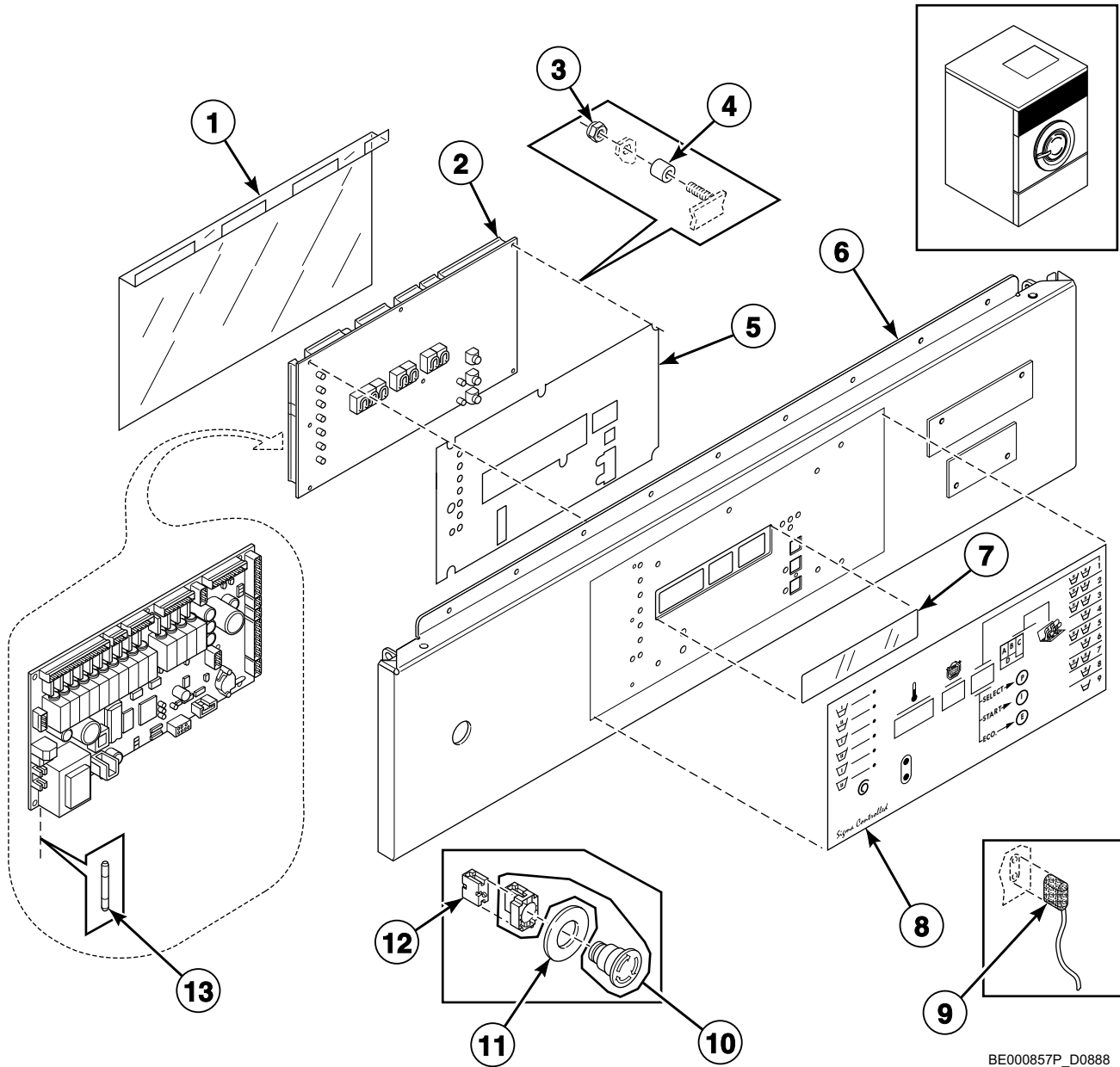


BE000819P_D0888

Control Panel - Micro-20 Coin

REF	PART NO.	DESCRIPTION	COMMENTS
1	229/00289/00	Circuit Board Cover	
2	209/00440/70	Printboard	220 Volt
	209/00440/80	Printboard	115 Volt
3	204/00116/00	Nut	
4	211/00122/00	Standoff	
5	203/00006/00	Washer	
6	111/01823/00	Upper Front Panel	
7	225/00316/00	Plexi Frame	
8	225/00410/00	Operating Sticker	
9	209/00266/01	Eprom	Standard software
10	209/00439/00	Fuse	500 mA
11	229/00255/00	Insulating Sticker	

Control Panel - Sigma OPL

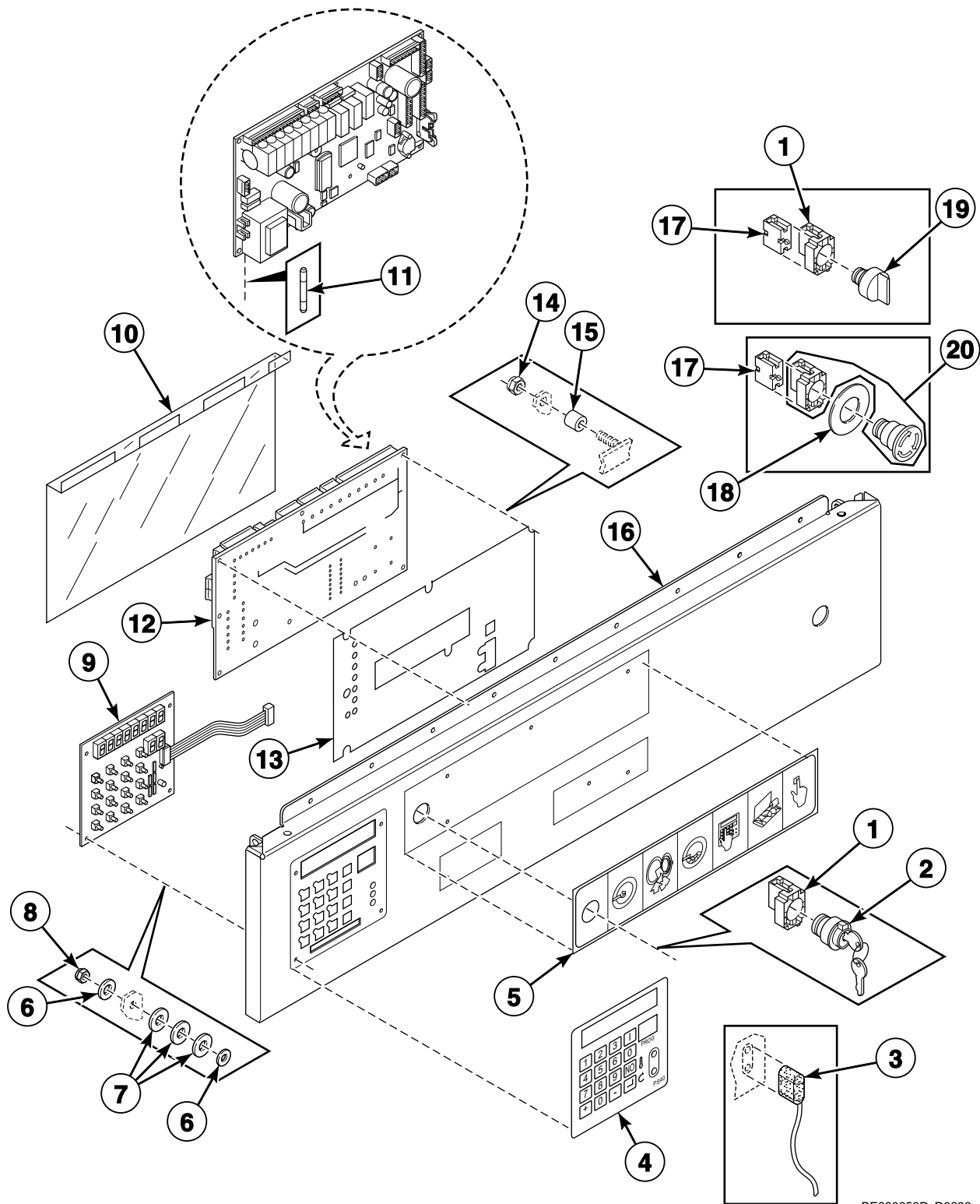


BE000857P_D0888

Control Panel - Sigma OPL

REF	PART NO.	DESCRIPTION	COMMENTS
1	229/00262/00	Circuit Board Cover	
2	209/00547/00	Control Board	
3	204/00116/00	Nut	
4	211/00122/00	Standoff	
5	229/00255/00	Insulating Sticker	
6	111/00301/00	Control Panel	Model WFF235_SIGMA_OPL
	111/00331/00	Control Panel	Model WFF305_SIGMA_OPL
7	225/00316/00	Plexi Frame	
8	225/00404/00	Operating Sticker	With ECO
	225/00405/00	Operating Sticker	Without ECO
9	210/00902/00	Infrared Cable	
10	209/00248/20	Mushroom Pushbutton	
11	209/00520/00	Telem Sticker	
12	209/00099/26	Contact Switch	
13	209/00439/00	Fuse	500 mA

Control Panel - PS40F

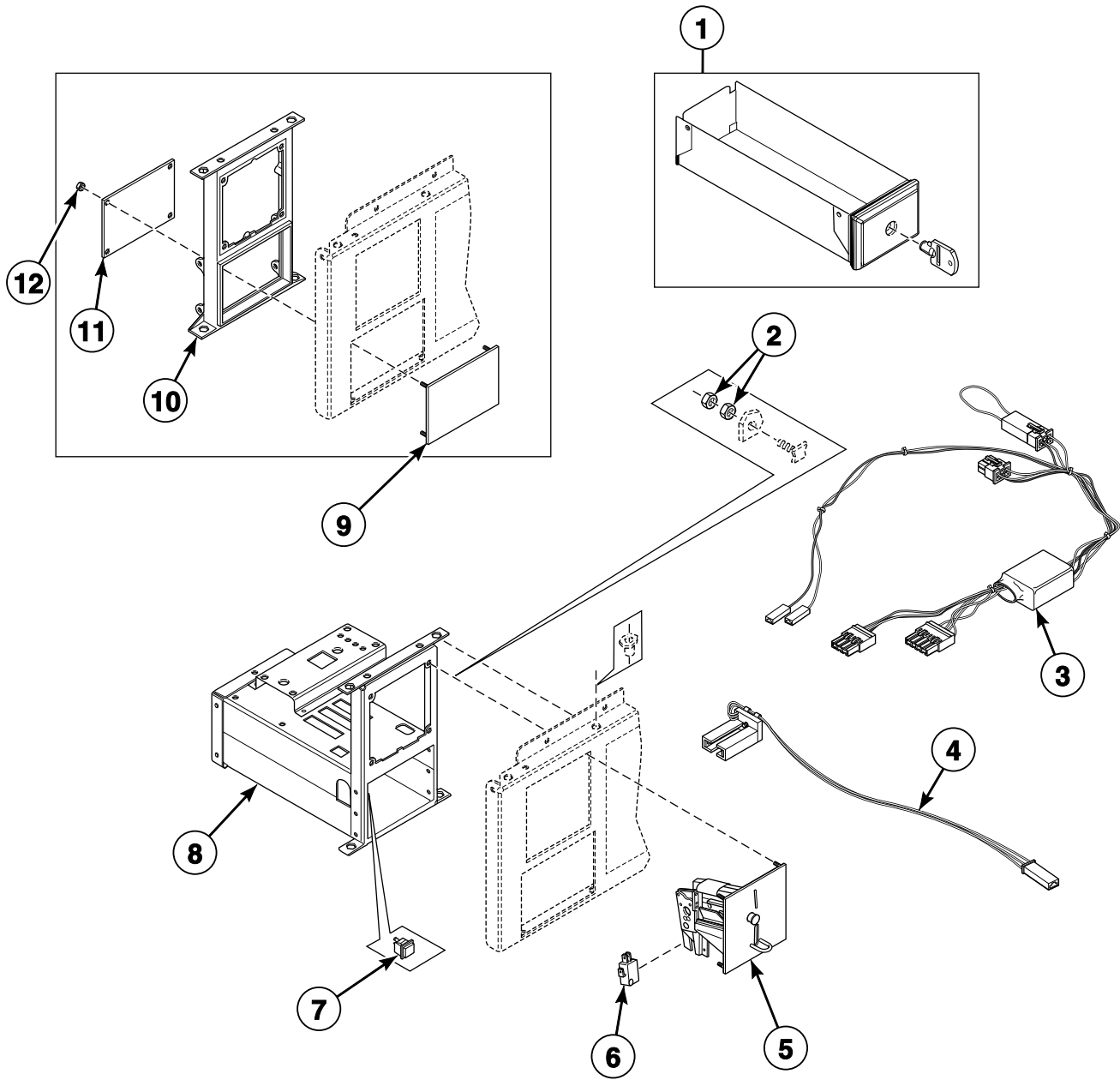


BE000859P_D0888

Control Panel - PS40F

REF	PART NO.	DESCRIPTION	COMMENTS
1	209/00099/25	Switch Base	
2	209/00326/20	Programming Key Contact Switch	
3	210/00902/00	Infrared Cable	
4	225/00397/00	Label	
5	225/00400/00	Operating Sticker	
6	223/00123/00	Washer	
7	223/00051/10	Washer	
8	204/00116/00	Nut	
9	209/00552/01	Keypad	
10	229/00262/00	Circuit Board Cover	
11	209/00372/01	Fuse	
12	B12351701	Main Board	
13	229/00255/00	Insulating Sticker	
14	204/00116/00	Nut	
15	211/00122/00	Standoff	
16	111/00301/20	Control Panel	*55 and *235 models
	111/00331/20	Control Panel	*75 and *305 models
17	209/00099/26	Contact Switch	
18	209/00520/00	Telem Sticker	
19	209/00099/29	Switch Knob	
20	209/00248/20	Mushroom Pushbutton	

Coin Drop - Mechanical Coin Meter

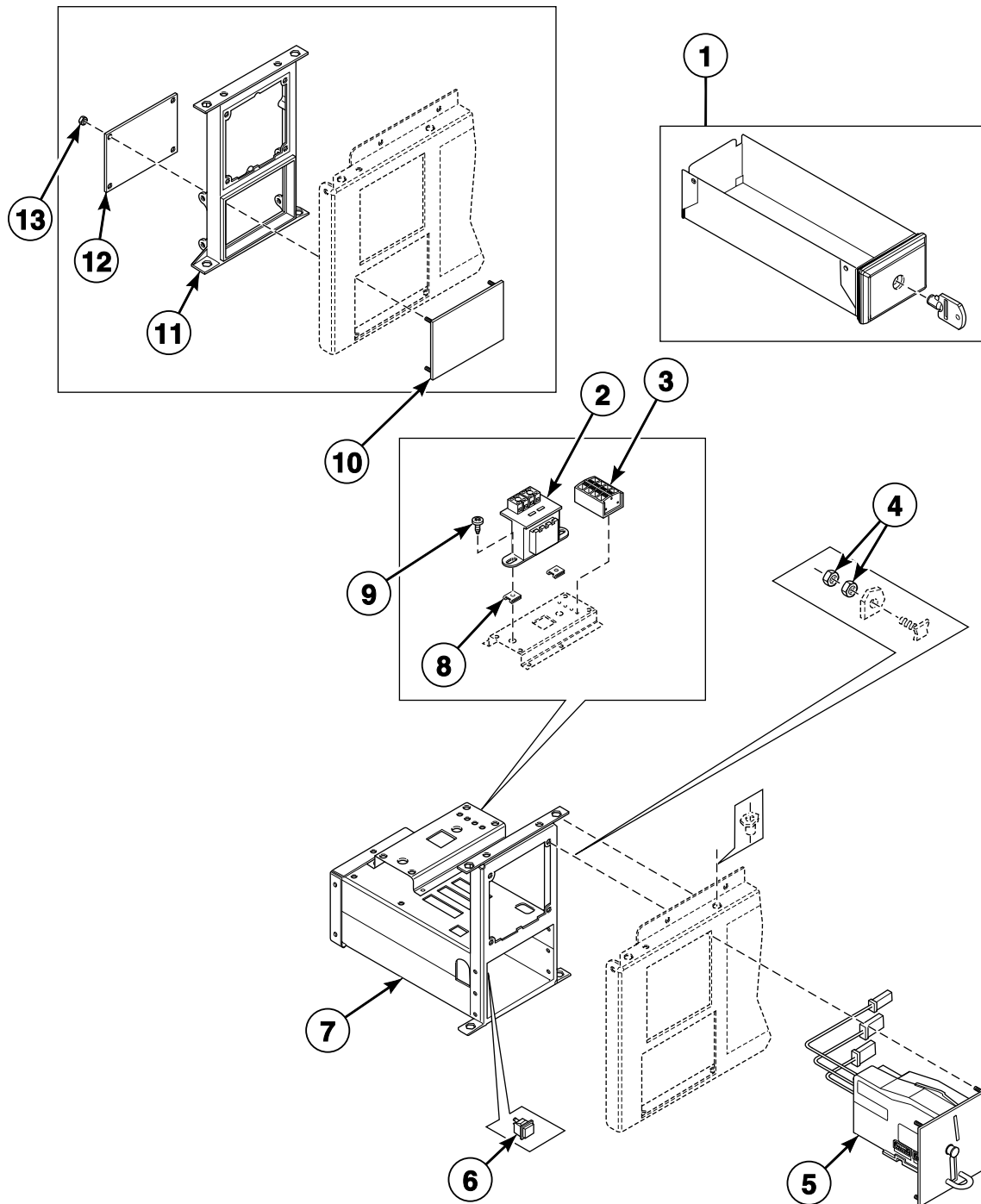


CFD512P_D0888

Coin Drop - Mechanical Coin Meter

REF	PART NO.	DESCRIPTION	COMMENTS
	B12388101	Single Drop Optical Sensor Kit	Includes items 3 and 4
	B12388102	Dual Drop Optical Sensor Kit	Includes items 3 and 4
1	254/00077/00	Coin Box	
	254/00077/02	Key	
2	204/00008/00	Nut	
3	B12359901	Wire Assembly	Micro-20 and Sigma models
4	209/00781/00	Optical Switch	Micro-20 and Sigma models
5	B12311224	Coin Drop	Mechanical; Jeton 5K
	B12311206	Coin Drop	Mechanical; Jeton 7K
	B12311201	Coin Drop	Mechanical; Jeton 10K
	B12311210	Coin Drop	Mechanical; Jeton 12K
	B12311252	Coin Drop	Mechanical; Jeton 10K and .5 euro
	B12311211	Coin Drop	Mechanical; Jeton 7K and 1 euro
	B12323901	Coin Drop	Mechanical; Jeton 15K and 7K
	B12311204	Coin Drop	Mechanical; Jeton gettone
	B12311234	Coin Drop	Mechanical; Jeton crouzet
	B12311247	Coin Drop	Mechanical; Jeton 118-1
	B12311248	Coin Drop	Mechanical; Jeton 118-5
	B12311222	Coin Drop	Mechanical; 1 euro
	B12311214	Coin Drop	Mechanical; .5 euro
	B12311202	Coin Drop	Mechanical; .5 and 1 euro
	B12311239	Coin Drop	Mechanical; .5 and 2 euro
	B12311205	Coin Drop	Mechanical; .2 and 1 euro
	B11211209	Coin Drop	Mechanical; .2 and .5 euro
	B12311218	Coin Drop	Mechanical; 1 and 1 euro
	B12311219	Coin Drop	Mechanical; 1 and 2 euro
	B12311203	Coin Drop	Mechanical; 1 and 2 frank
	B12311207	Coin Drop	Mechanical; 1 Deense kroon
	B12311225	Coin Drop	Mechanical; 10 Deense kronen
	B12311235	Coin Drop	Mechanical; 10 Tsjechische kronen
	B12311244	Coin Drop	Mechanical; 10 Noorse kronen
	B12311208	Coin Drop	Mechanical; 100 and 500 yen
	B12311212	Coin Drop	Mechanical; 15K
	B12311215	Coin Drop	Mechanical; 1 kro
	B12311226	Coin Drop	Mechanical; Australia 1.00
	B12311216	Coin Drop	Mechanical; Australia .2 and 1.00
	B12311220	Coin Drop	Mechanical; New Zealand 1.00
	B12311221	Coin Drop	Mechanical; .5 and 2 zwitsers
	B12311241	Coin Drop	Mechanical; Hong Kong 1.00
	B12311249	Coin Drop	Mechanical; Hong Kong 5.00
	B12311301	Coin Drop	Mechanical; U.S. \$0.25
	B12311302	Coin Drop	Mechanical; U.S. \$0.25 and \$1.00
	B12311304	Coin Drop	Mechanical; Canada 1.00 and .25
	B12323401	Coin Drop	Mechanical; Singapore 1.00
6	209/00600/01P	Switch	
7	209/00396/00	Pushbutton	
8	152/00112/00	Mechanical Coin Meter Housing	
9	111/01001/00	Top Panel	Gray
	111/01000/00	Front Plate	Black
10	217/00060/00	Fastening Piece	
11	111/01002/00	Backplate	
12	204/00116/00	Nut	

Coin Drop - Electronic Coin Meter



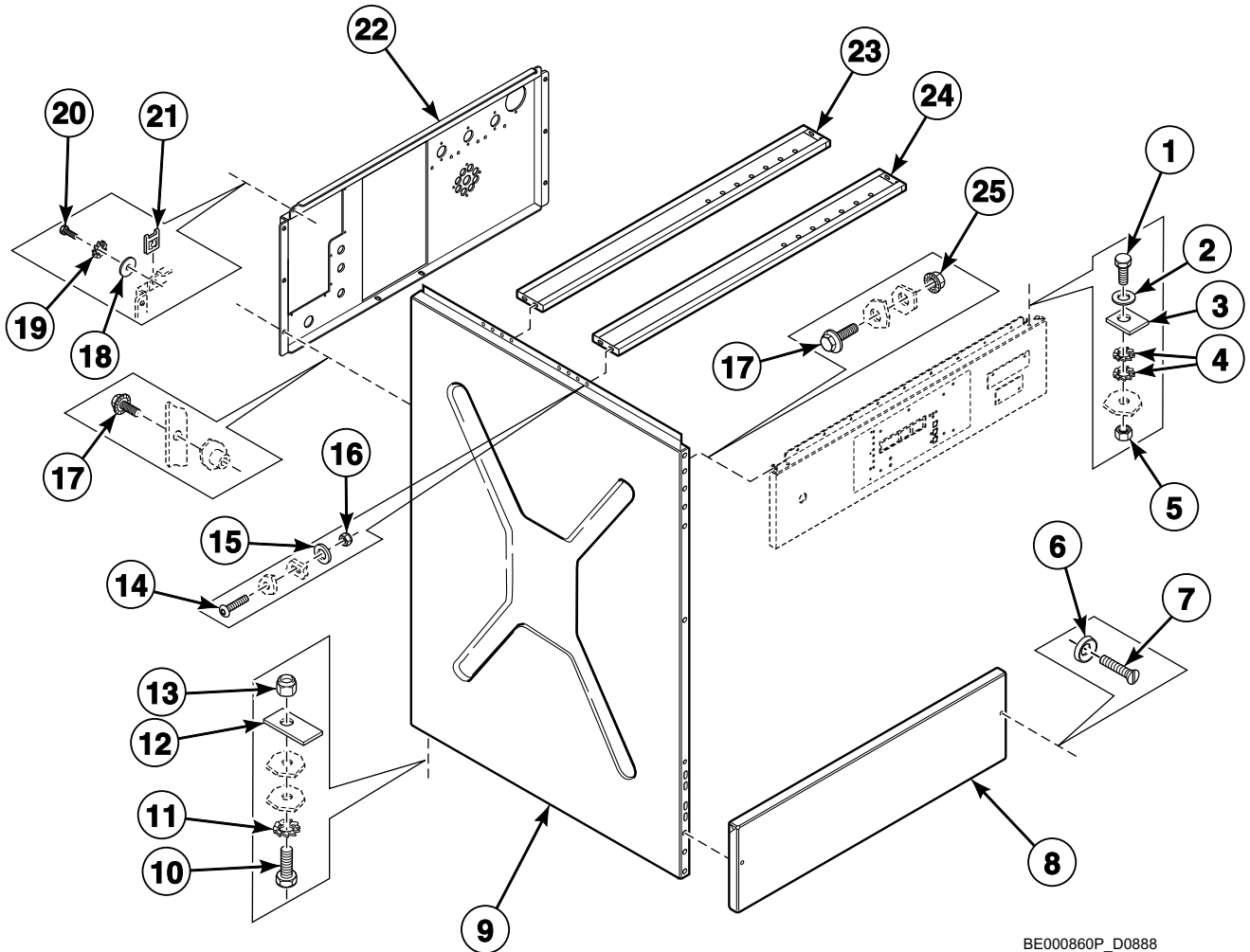
CFD511P_D0888

Coin Drop - Electronic Coin Meter

REF	PART NO.	DESCRIPTION	COMMENTS
1	254/00077/00	Coin Box	
	254/00077/02	Key	
2	209/00682/00	Transformer	
3	209/00683/00	Input Block	
4	204/00008/00	Nut	
5	B12311401	Coin Drop	Electronic; Cygnus models
6	209/00396/00	Pushbutton	
7	152/00112/50	Electronic Coin Meter Housing	
8	208/00002/00	Nut	
9	208/00014/00	Screw	
10	111/01001/00	Top Panel	Gray
	111/01000/00	Front Plate	Black
11	217/00060/00	Fastening Piece	
12	111/01002/00	Backplate	
13	204/00116/00	Nut	

Left Side, Lower Front and Upper Back Panels - *55 and *235 Models

Models with Older Style Soap Dispenser Crossbar



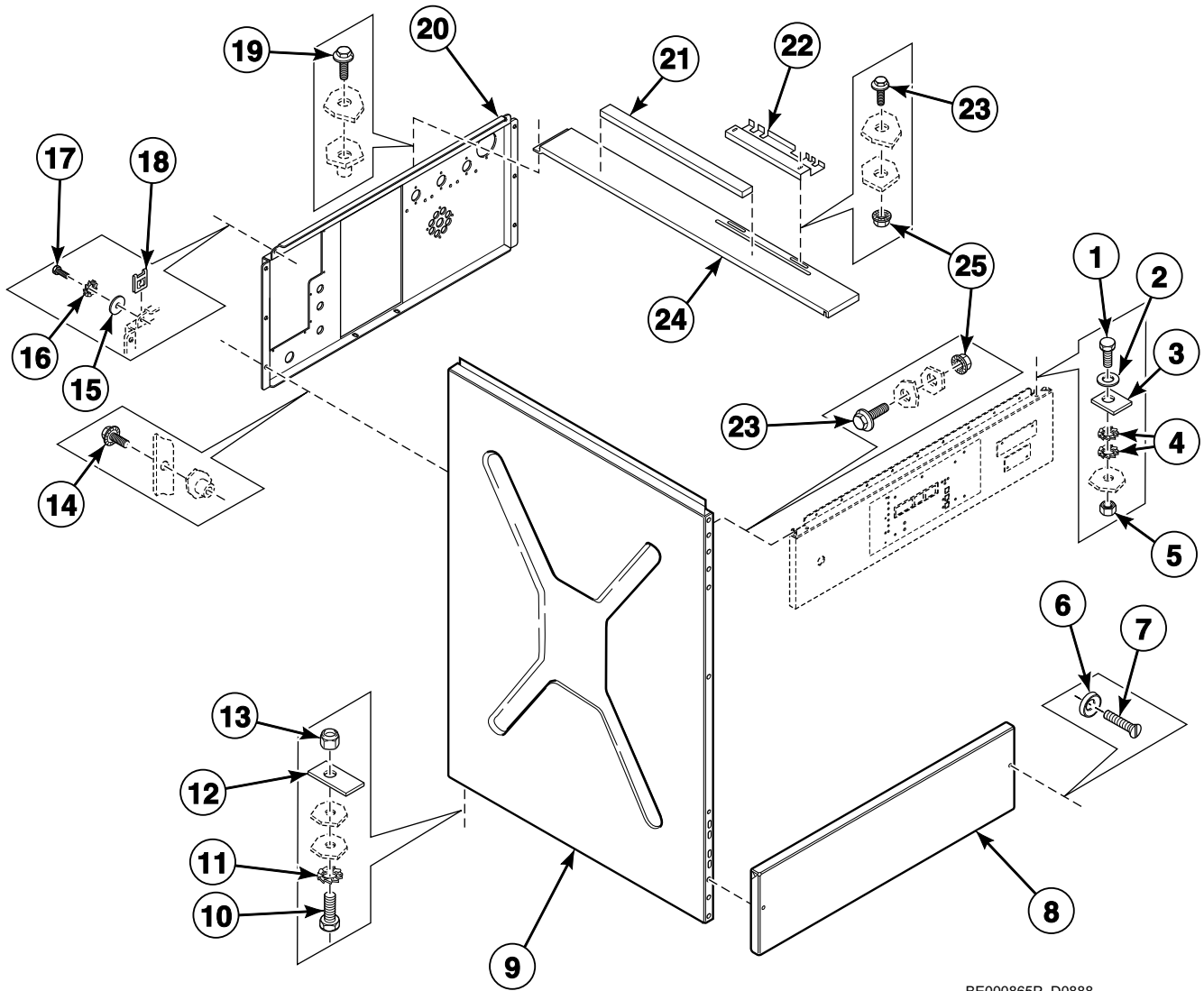
BE000860P_D0888

Left Side, Lower Front and Upper Back Panels - *55 and *235 Models

REF	PART NO.	DESCRIPTION	COMMENTS
1	205/00106/00	Bolt	
2	202/00003/00	Washer	
3	117/00042/00	Retaining Ring	
4	203/00005/00	Washer	
5	204/00006/00	Nut	
6	208/00009/00	Washer	
7	207/00101/00	Screw	
8	111/00300/00	Kickplate	
9	140/60027/00	Side Panel	Left
10	205/00105/00	Bolt	
11	203/00004/00	Washer	
12	101/00007/00	Outlet Pipe Plate Assembly	
13	204/00009/00	Nut	
14	207/00032/00	Screw	
15	202/00004/00	Washer	
16	204/00007/00	Nut	
17	206/00099/00	Bolt	
18	201/00006/00	Washer	
19	203/00015/00	Washer	
20	208/00014/00	Screw	
21	208/00025/00	Nut	
22	111/00304/00	Backbridge	
23	111/10100/10	Soap Dispenser Front	
24	111/10100/00	Soap Dispenser Back	
25	206/00101/00	Nut	

Left Side, Lower Front and Upper Back Panels - *75 and *305 Models

Models with Older Style Soap Dispenser Crossbar



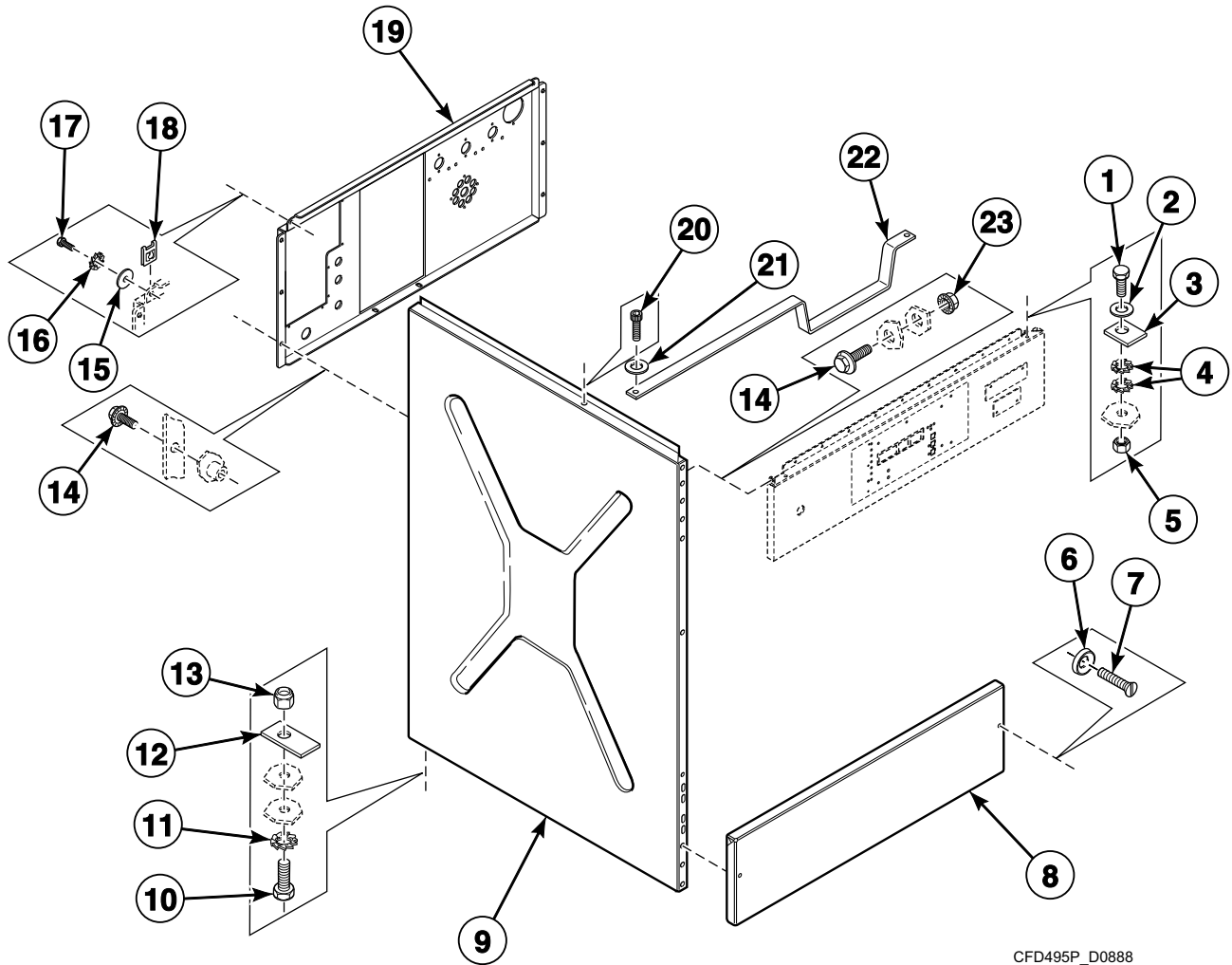
BE000865P_D0888

Left Side, Lower Front and Upper Back Panels - *75 and *305 Models

REF	PART NO.	DESCRIPTION	COMMENTS
1	205/00106/00	Bolt	
2	202/00003/00	Washer	
3	117/00042/00	Retaining Ring	
4	203/00005/00	Washer	
5	204/00006/00	Nut	
6	208/00009/00	Washer	
7	207/00101/00	Screw	
8	111/00333/00	Kickplate	
9	111/60038/00	Side Panel	Left
10	205/00105/00	Bolt	
11	203/00004/00	Washer	
12	101/00007/00	Outlet Pipe Plate Assembly	
13	204/00009/00	Nut	
14	206/00099/00	Bolt	
15	201/00006/00	Washer	
16	203/00015/00	Washer	
17	208/00014/00	Screw	
18	208/00025/00	Nut	
19	206/00099/00	Bolt	
20	111/00334/10	Backbridge	
21	246/00149/00	Gasket	
22	111/00117/00	Soap Box Support Plate	
23	206/00099/00	Bolt	
24	111/00156/00	Soap Dispenser Crossbar	
25	206/00101/00	Nut	

Left Side, Lower Front and Upper Back Panels

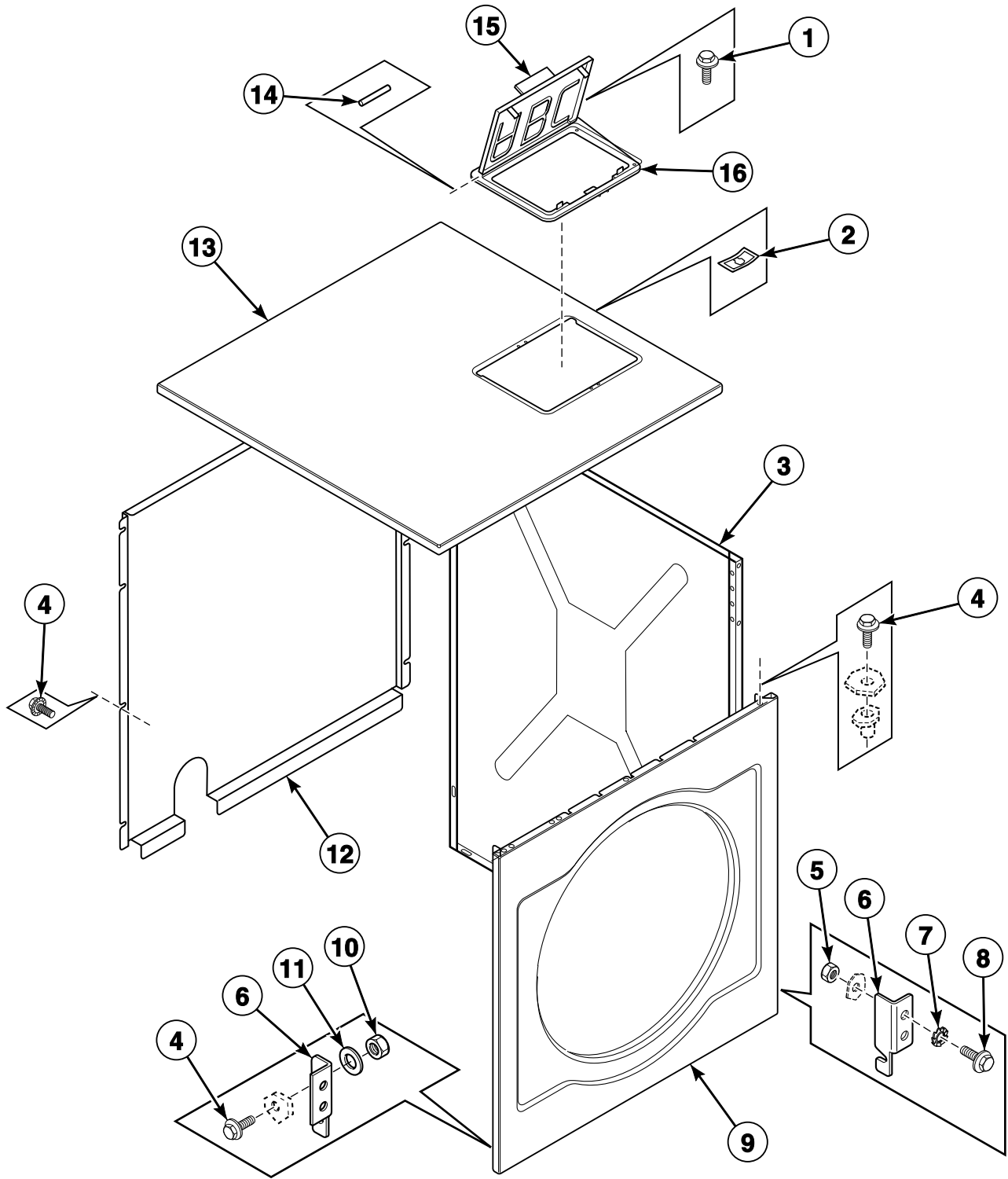
Models with Newer Style Soap Dispenser Crossbar



Left Side, Lower Front and Upper Back Panels

REF	PART NO.	DESCRIPTION	COMMENTS
1	205/00106/00	Bolt	
2	202/00003/00	Washer	
3	117/00042/00	Retaining Ring	
4	203/00005/00	Washer	
5	204/00006/00	Nut	
6	208/00009/00	Washer	
7	207/00101/00	Screw	
8	111/00333/00	Kickplate	
9	111/60038/00	Side Panel	*75 and *305 models; Left
	140/60027/00	Side Panel	*55 and *235 models; Left
10	205/00105/00	Bolt	
11	203/00004/00	Washer	
12	101/00007/00	Outlet Pipe Plate Assembly	
13	204/00009/00	Nut	
14	206/00099/00	Bolt	
15	201/00006/00	Washer	
16	203/00015/00	Washer	
17	208/00014/00	Screw	
18	208/00025/00	Nut	
19	111/00304/00	Backbridge	
20	206/00166/00	Screw	
21	B12421401	Washer	
22	111/10100/11	Soap Dispenser Crossbar	*55 and *235 models
	111/00156/11	Powder Bin Crossbar	*75 and *305 models
23	206/00101/00	Nut	

Right Side, Front, Lower Rear and Top Panels

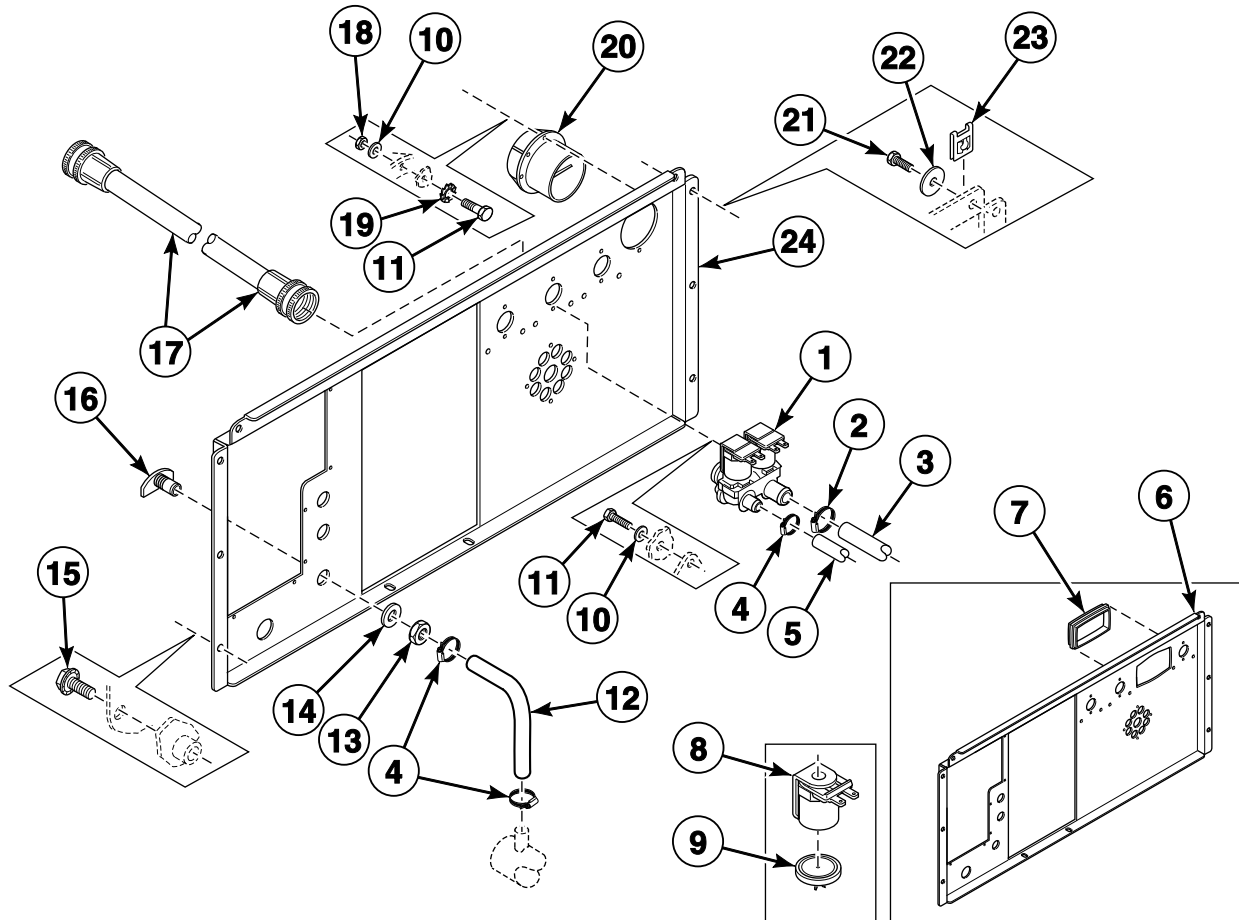


BE000861P_D0888

Right Side, Front, Lower Rear and Top Panels

REF	PART NO.	DESCRIPTION	COMMENTS
1	207/00103/00	Screw	
2	208/00104/00	Nut	
3	140/60028/00	Side Panel	*55 and *235 models; Right
	111/60038/50	Side Panel	*75 and *305 models; Right
4	206/00099/00	Bolt	
5	204/00107/00	Nut	
6	111/10089/01	Reinforcement Plate	
7	203/00005/00	Washer	
8	206/00016/00	Bolt	
9	111/00293/00	Front Panel	*55 and *235 models
	111/00332/00	Front Panel	*75 and *305 models
10	204/00106/00	Nut	
11	201/00007/00	Washer	
12	111/00335/00	Back Panel	*75 and *305 models
	111/00302/00	Back Panel	*55 and *235 models
13	140/00046/00	Top Panel	*55 and *235 models
	111/00330/00	Top Panel	*75 and *305 models
14	223/00103/04	Soap Dispenser Cover Hinge Rod	2 required
15	223/00103/01	Soap Dispenser Cover	
16	223/00103/03	Soap Dispenser Frame	

Water Inlet Valves

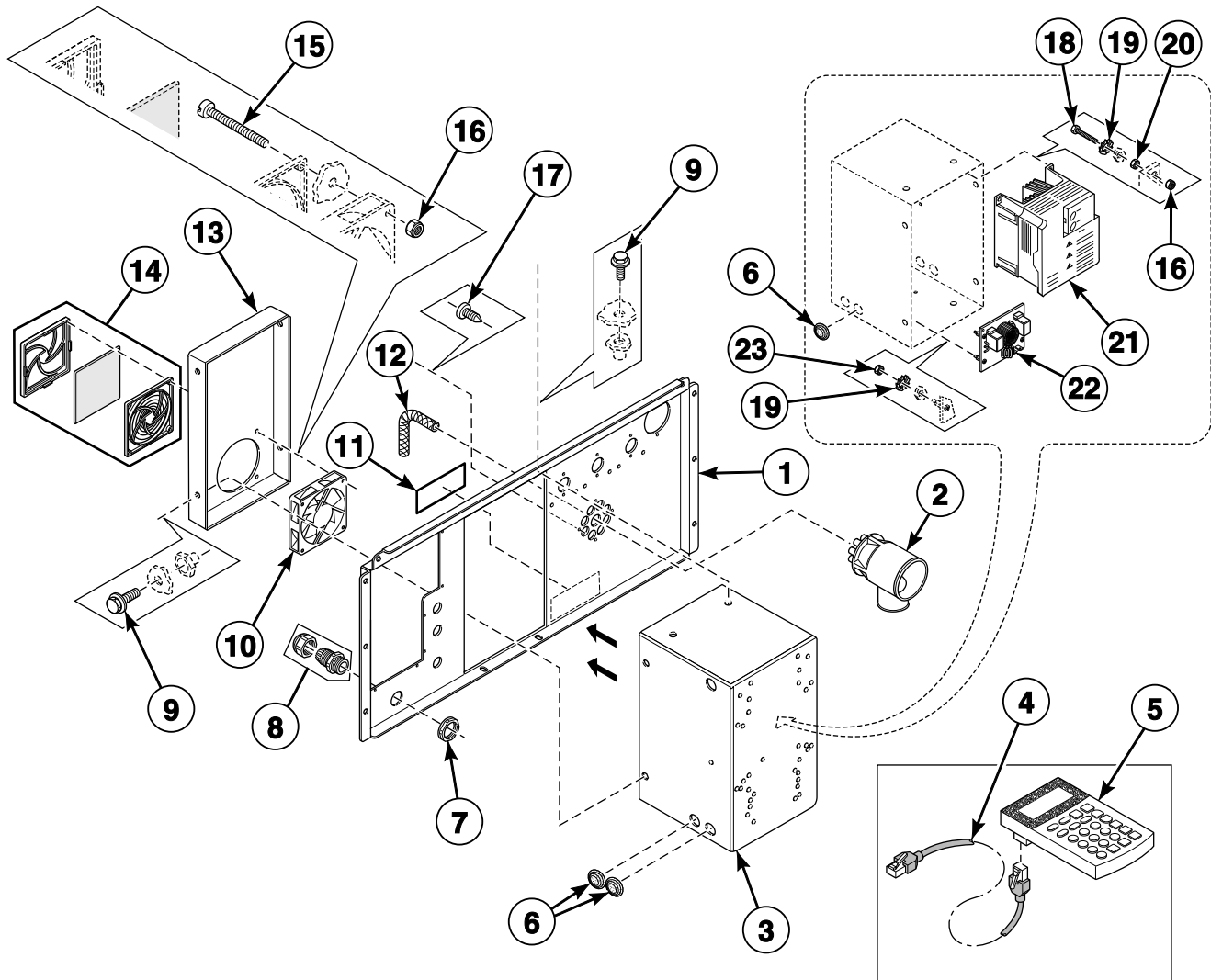


CFD326P_D0888

Water Inlet Valves

REF	PART NO.	DESCRIPTION	COMMENTS
1	209/00316/00	2-Way Inlet Valve	Metric thread; Uses F380939 Valve Repair Kit
	209/00419/00	2-Way Inlet Valve	Standard thread; Uses F380939 Valve Repair Kit
2	223/00011/00	Hose Clamp	
3	223/00059/00	Water Hose	
4	223/00010/00	Hose Clamp	
5	223/00044/01	Water Hose	
6	111/00304/10	Backbridge	*55 and *235 models; Rectangular ventilation
	111/00334/20	Backbridge	*75 and *305 models; Rectangular ventilation
7	223/00226/00	Vent Tube	
8	209/00090/01	Inlet Valve Solenoid	
9	209/00316/02	Diaphragm	
10	202/00004/00	Washer	
11	206/00027/00	Bolt	
12	223/00044/01	Water Hose	
13	204/00201/00	Nut	
14	201/00002/00	Washer	
15	206/00099/00	Bolt	
16	223/00001/04	Prewash and Mainwash Nozzle	
17	F200164	Water Hose	Standard thread
	F200166	Water Hose	Metric thread
18	204/00007/00	Nut	
19	203/00006/00	Washer	
20	223/00102/07	Hose Vent	
21	208/00014/00	Screw	
22	201/00006/00	Washer	
23	208/00002/00	Nut	
24	111/00304/00	Backbridge	*55 and *235 models; Circular ventilation
	111/00334/10	Backbridge	*75 and *305 models; Circular ventilation

Inverter Drive - *55 and *235 Models



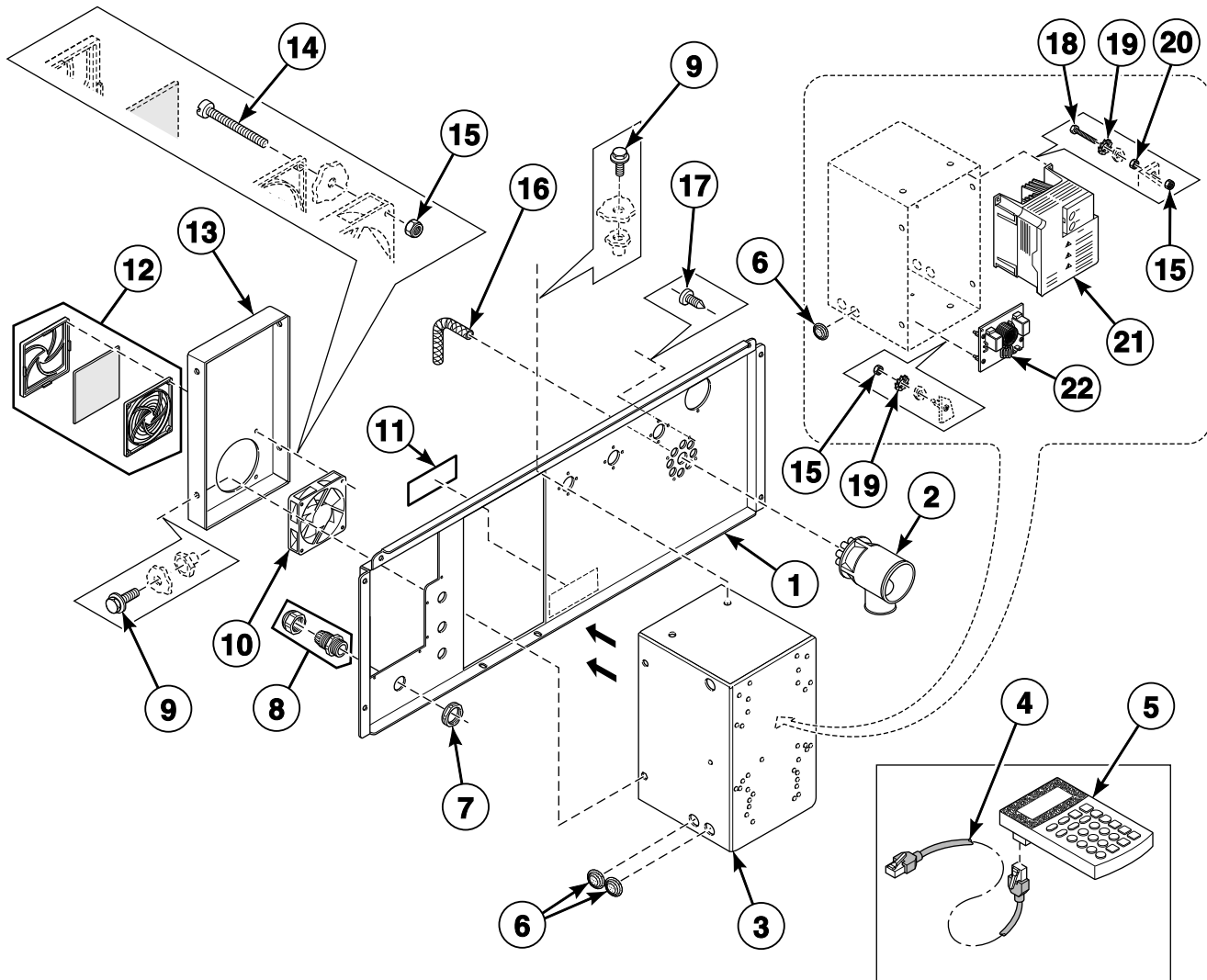
CFD464P_D0888

Inverter Drive - *55 and *235 Models

REF	PART NO.	DESCRIPTION	COMMENTS
1	111/00304/00	Backbridge	
2	223/00249/00	Liquid Soap Manifold	
3	111/01150/00	Inverter Drive Box	
4	227/00171/10	Parameter Unit Program Cable	
5	227/00171/00	Parameter Unit Assembly	Hand held
	F8410901	Parameter Unit Assembly	Inverter mounted; Used with 500 series inverter drives
6	223/00174/00	Grommet	
7	211/00171/00	Nut	
8	211/00182/00	Nut	
9	206/00099/00	Bolt	
10	209/00287/00	Cooling Fan	
11	B12355001	Voltage Discharge Decal	
12	209/00287/11	AC Drive Filter	Includes filter and holder
	209/00287/21	Filter	Filter only
13	111/01158/11	Inverter Box Cover	
14	207/00021/00	Screw	
15	204/00114/00	Nut	
16	223/00179/10	Pressure Hose	
17	208/00130/00	Screw	
18	206/00088/00	Bolt	
19	203/00006/00	Washer	
20	204/00007/00	Nut	
21	N/A	Inverter Drive	FR-E520 series; 1 x 230 Volt
	227/00168/00	Inverter Drive	FR-E540 series; 3 x 400 Volt
	227/00229/00	Inverter Drive	FR-D720 series; 1 x 230 Volt; *235 models with Cygnus controls
	227/00237/00	Inverter Drive	FR-D740 series; 3 x 400 Volt; *235 models with Cygnus controls
	F8420415	Inverter Kit	700 series; *055 and *235 models with Micro-20, PS40F and Sigma controls; 200 Volt/1 Phase; Models with 2.2 kW motor; Includes F8420515 Drive, F8409501 Mounting Plate Assembly and F430903 Screw
	F8420416	Inverter Kit	700 series; *055 and *235 models with Micro-20, PS40F and Sigma controls; 400 Volt/3 Phase; Models with 2.2 kW motor; Includes F8420516 Drive, F8409501 Mounting Plate Assembly and F430903 Screw
	F8420515	Drive	700 series; *055 and *235 models with Micro-20, PS40F and Sigma controls; 200 Volt/1 Phase; Models with 2.2 kW motor
	F8420516	Drive	700 series; *055 and *235 models with Micro-20, PS40F and Sigma controls; 400 Volt/3 Phase; Models with 2.2 kW motor
22	B12339401	Noise Filter	

N/A = Part no longer available

Inverter Drive - *75 and *305 Models



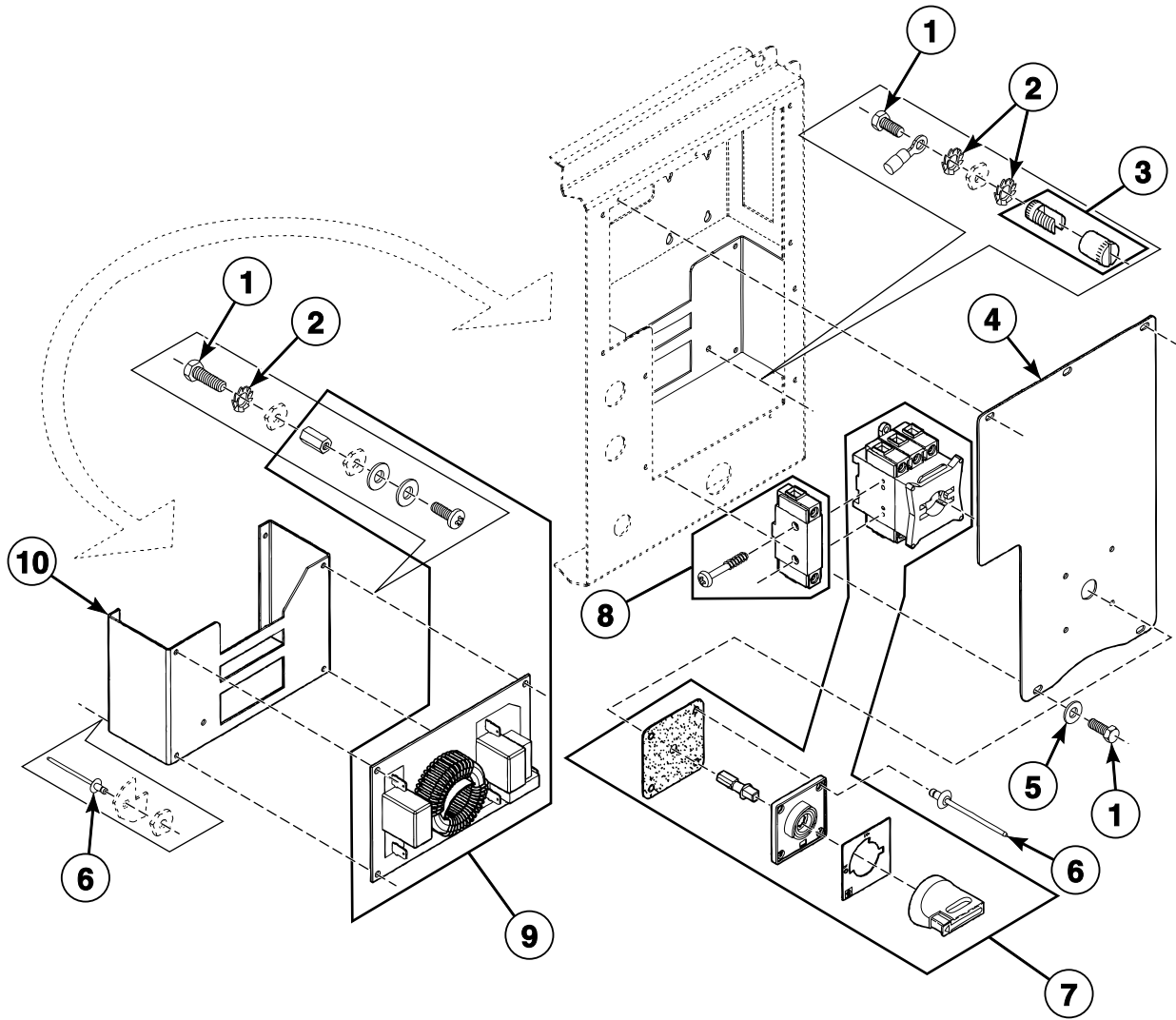
CFD465P_D0888

Inverter Drive - *75 and *305 Models

REF	PART NO.	DESCRIPTION	COMMENTS
1	111/00334/10	Backbridge	
2	223/00249/00	Liquid Soap Manifold	
3	111/01149/00	Inverter Drive Box	
4	227/00171/10	Parameter Unit Program Cable	
5	227/00171/00	Parameter Unit Assembly	Hand held
	F8410901	Parameter Unit Assembly	Inverter mounted; Used with 500 series inverter drives
6	223/00174/00	Grommet	
7	211/00171/00	Nut	
8	211/00182/00	Nut	
9	206/00099/00	Bolt	
10	209/00287/00	Cooling Fan	
11	B12355001	Voltage Discharge Decal	
12	209/00287/11	AC Drive Filter	Includes filter and holder
	209/00287/21	Filter	Filter only
13	111/01158/11	Inverter Box Cover	
14	207/00021/00	Screw	
15	204/00114/00	Nut	
16	223/00179/10	Pressure Hose	
17	208/00130/00	Screw	
18	206/00088/00	Bolt	
19	203/00006/00	Washer	
20	204/00007/00	Nut	
21	N/A	Inverter	FR-E520 series; 1 x 230 Volt
	227/00169/00	Inverter	FR-E540 series; 3 x 400 Volt
	227/00230/00	Inverter	FR-D720 series; 1 x 230 Volt; *305 models with Cygnus controls
	227/00238/00	Inverter	FR-D740 series; 3 x 400 Volt; *305 models with Cygnus controls
	F8420417	Inverter Kit	700 series; *075 and *305 models with Micro-20, PS40F and Sigma controls; 200 Volt/1 Phase; Models with 3.0 kW motor; Includes F8420517 Drive
	F8420418	Inverter Kit	700 series; *075 and *305 models with Micro-20, PS40F and Sigma controls; 400 Volt/3 Phase; Models with 3.0 kW motor; Includes F8420518 Drive, F8409501 Mounting Plate Assembly and F430903 Screw
	F8420517	Drive	700 series; *075 and *305 models with Micro-20, PS40F and Sigma controls; 200 Volt/1 Phase; Models with 3.0 kW motor
	F8420518	Drive	700 series; *075 and *305 models with Micro-20, PS40F and Sigma controls; 400 Volt/3 Phase; Models with 3.0 kW motor
22	B12339401	Noise Filter	

N/A = Part no longer available

Main Switch and Noise Filter

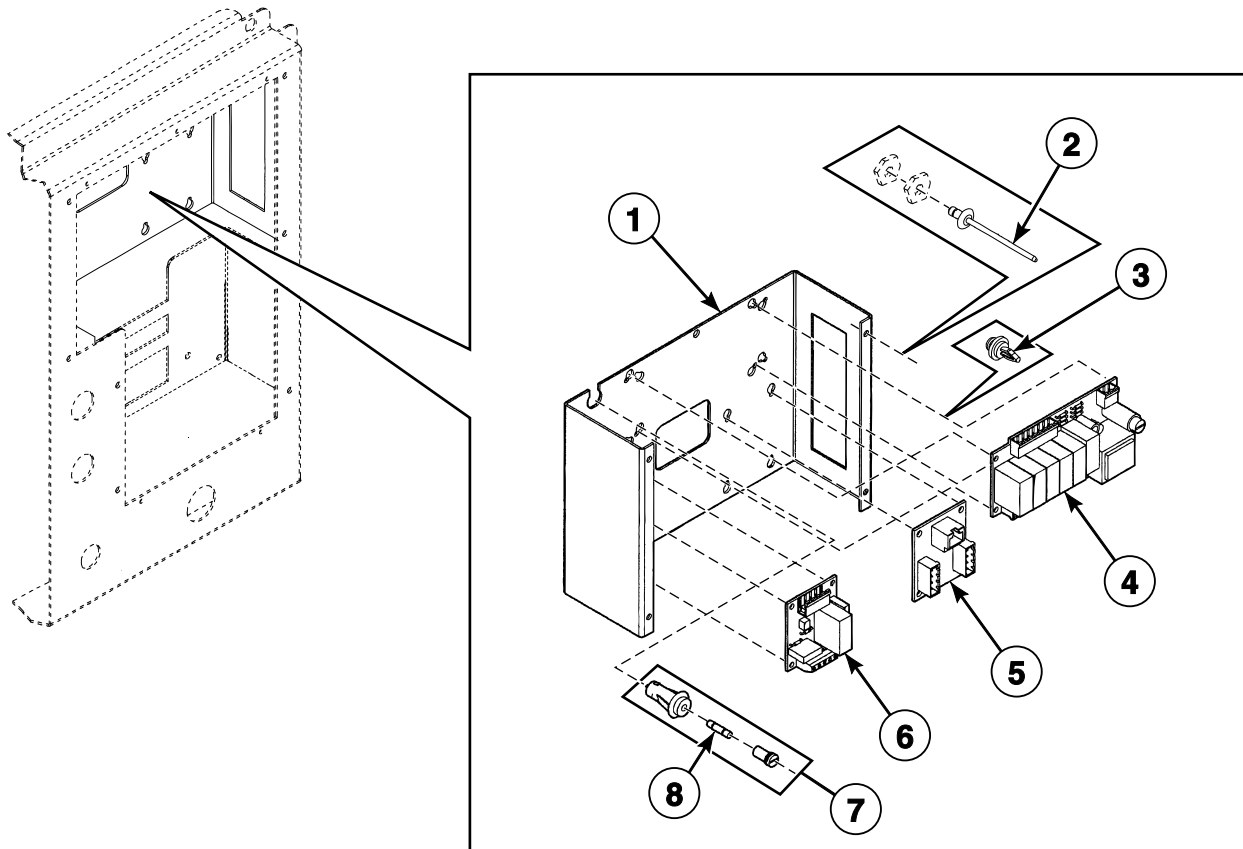


BE000799P_D0888

Main Switch and Noise Filter

REF	PART NO.	DESCRIPTION	COMMENTS
1	206/00027/00	Bolt	
2	203/00006/00	Washer	
3	209/00006/01	Ground Terminal	
4	111/01834/00	Main Switch Cover	
5	202/00004/00	Washer	
6	208/00017/00	Rivet	
7	209/00529/00	Main Switch	25A
	209/00672/00	Main Switch	40A
	209/00526/00	Main Switch	80A
8	209/00530/00	Terminal Block	25A
	209/00527/00	Terminal Block	63/80A
9	227/00177/00	Filter	16A1
	227/00242/00	Noise Filter	16A3
	227/00179/00	Filter	40A3
	227/00180/00	Filter	45A1
	227/00183/00	Filter	53A3
10	111/01837/01	Filter Bracket	

Central Operating Panel, Network Connection and Soap Injection Printboards

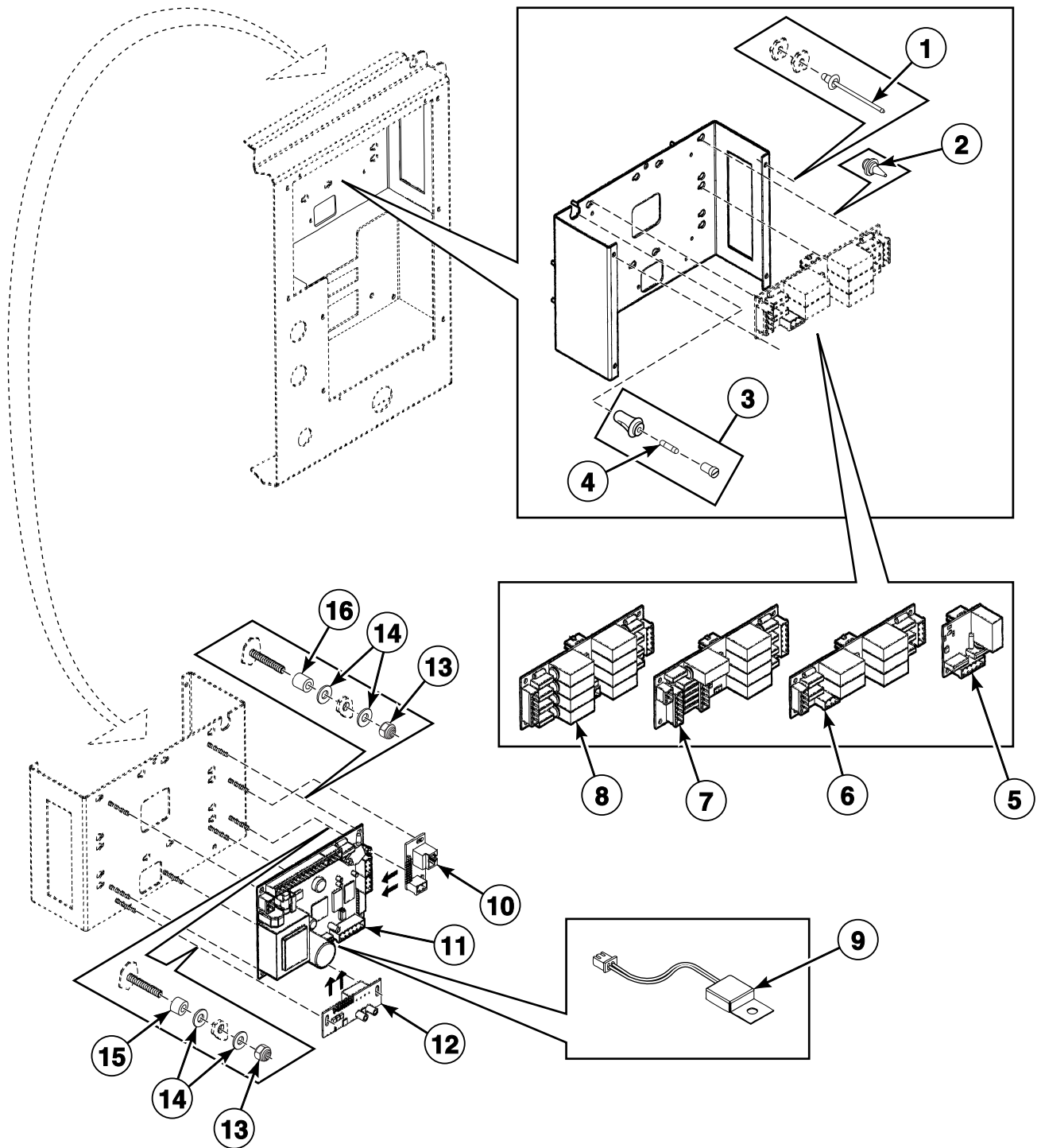


BE000800P_D0888

Central Operating Panel, Network Connection and Soap Injection Printboards

REF	PART NO.	DESCRIPTION	COMMENTS
1	111/01838/10	Printboard Support	
2	208/00017/00	Rivet	
3	211/00146/00	Standoff	
4	209/00218/13	Soap Injection PCB with Fuse	
5	209/00540/01	Network Connection Printboard	
6	209/00438/50	Central Control Board	
7	209/00202/00	Fuse Holder	
	209/00202/01	Fuse Holder	Includes item 8
8	209/00468/00	Fuse	3 Amp

Relay, Network Connection and Main Printboards - Cygnus Models

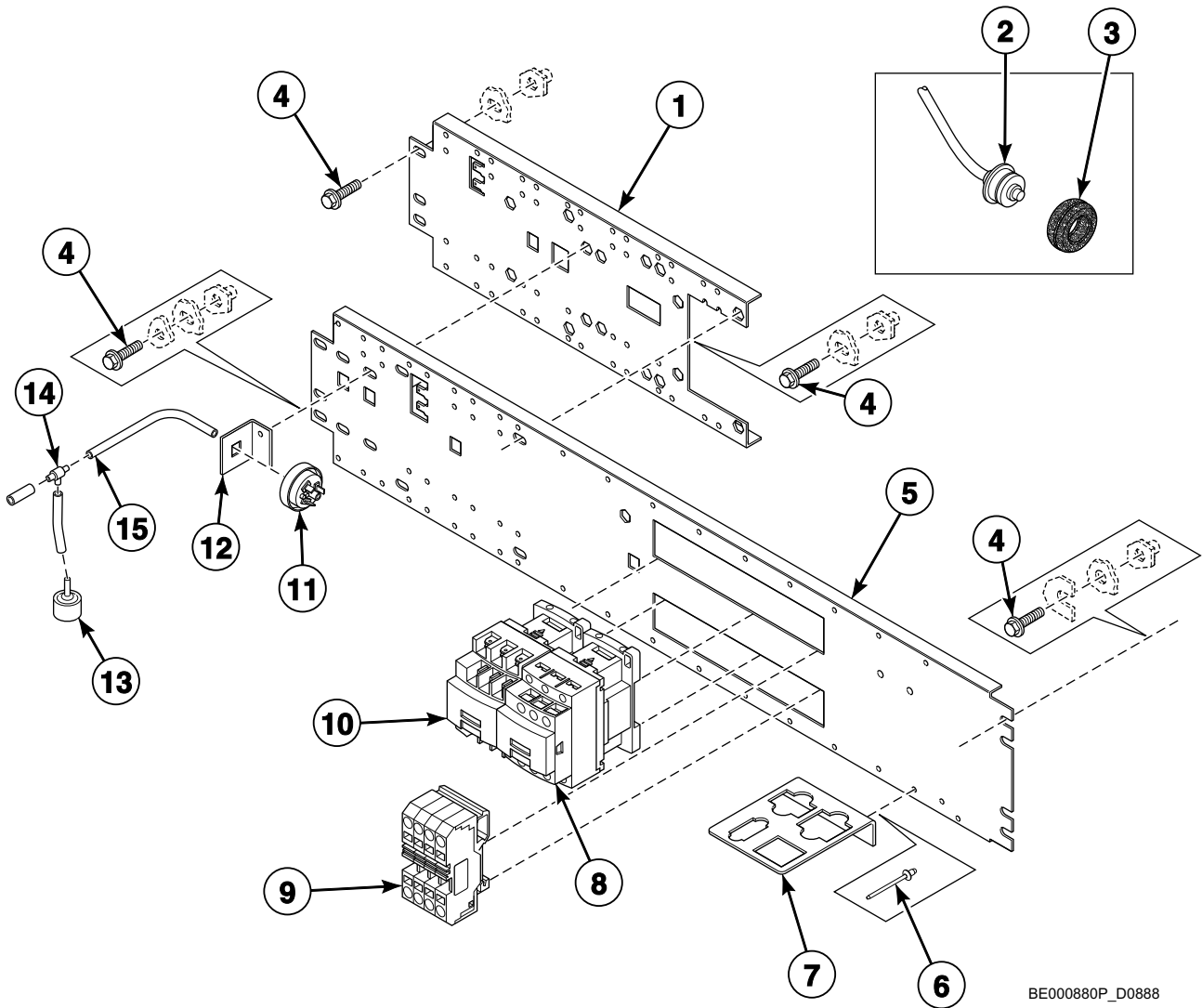


BE000801AP_D0888

Relay, Network Connection and Main Printboards - Cygnus Models

REF	PART NO.	DESCRIPTION	COMMENTS
1	208/00017/00	Rivet	
2	211/00146/00	Standoff	
3	209/00202/00	Fuse Holder	
	209/00202/01	Fuse Holder	Includes item 4
4	209/00468/00	Fuse	3 Amp
5	209/02016/00	Relay PC-Board	1-1
6	209/02005/00	Detergent PC-Board	1-5
7	209/02014/00	Relay PC-Board	5-5
8	209/02008/00	Detergent PC-Board	1-8
9	209/02020/00	ID Chip	
10	209/02006/00	Inverter PC-Board	
11	209/02025/00	Microprocessor	
12	209/02007/00	Network Connection Printboard	
13	204/00116/00	Nut	
14	223/00123/00	Washer	
15	211/00128/00	Printboard Separator	
16	211/00122/00	Standoff	

Electrical Component Mounting Plate - Models Through 2/22/09

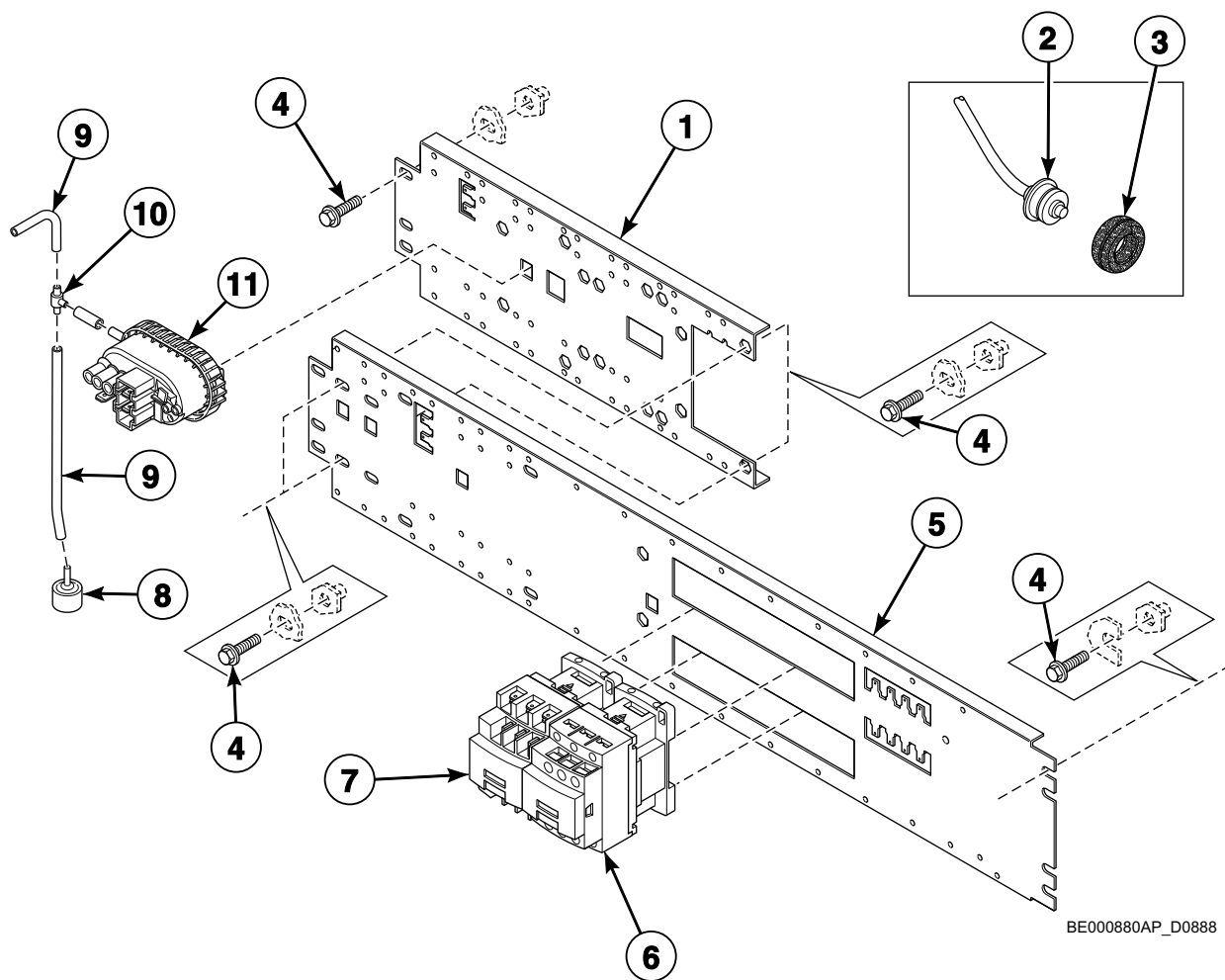


BE000880P_D0888

Electrical Component Mounting Plate - Models Through 2/22/09

REF	PART NO.	DESCRIPTION	COMMENTS
1	111/10003/40	Electrical Component Mounting Plate	
2	210/01304/16	Thermostat	Models with Micro-20, Sigma and PS40F controls
	210/01064/16	Thermostat	Models with Cygnus controls
3	225/10004/00	Thermostat Seal	
4	206/00099/00	Bolt	
5	111/10004/00	Electrical Component Plate	
6	208/00017/00	Rivet	
7	111/10003/10	Support Connector	
8	209/06148/02	Heating Contactor	
9	209/00641/04	Heating Contactor	
10	209/00619/00	Overload Contactor	2 pole; 6 mm; Gray; 2006-1201
	209/00620/00	Overload Contactor	2 pole; 6 mm; Blue; 2006-1204
	209/00621/00	Overload Contactor	3 pole; 6 mm; Blue; 2006-1304
	209/00622/00	Overload Contactor	3 pole; 6 mm; Gray; 2006-1301
	209/00623/00	Overload Contactor	2 pole; 10 mm; Gray; 2010-1201
	209/00624/00	Overload Contactor	2 pole; 10 mm; Blue; 2010-1204
	209/00625/00	Overload Contactor	3 pole; 10 mm; Gray; 2010-1301
	209/00619/01	Connection Clamp	2 pole; 6 mm; Final plate
	209/00622/01	Connection Clamp	3 pole; 6 mm; Final plate
	209/00625/01	Connection Clamp	3 pole; 10 mm; Final plate
11	209/00007/50	Pressure Switch	
12	111/10004/10	Electrical Component Plate	
13	223/00035/02	Pressure Switch Cap	
14	223/00173/10	Pressure Switch Hose Tee	
15	223/00333/00	Pressure Hose	

Electrical Component Mounting Plate - Models Starting 2/23/09

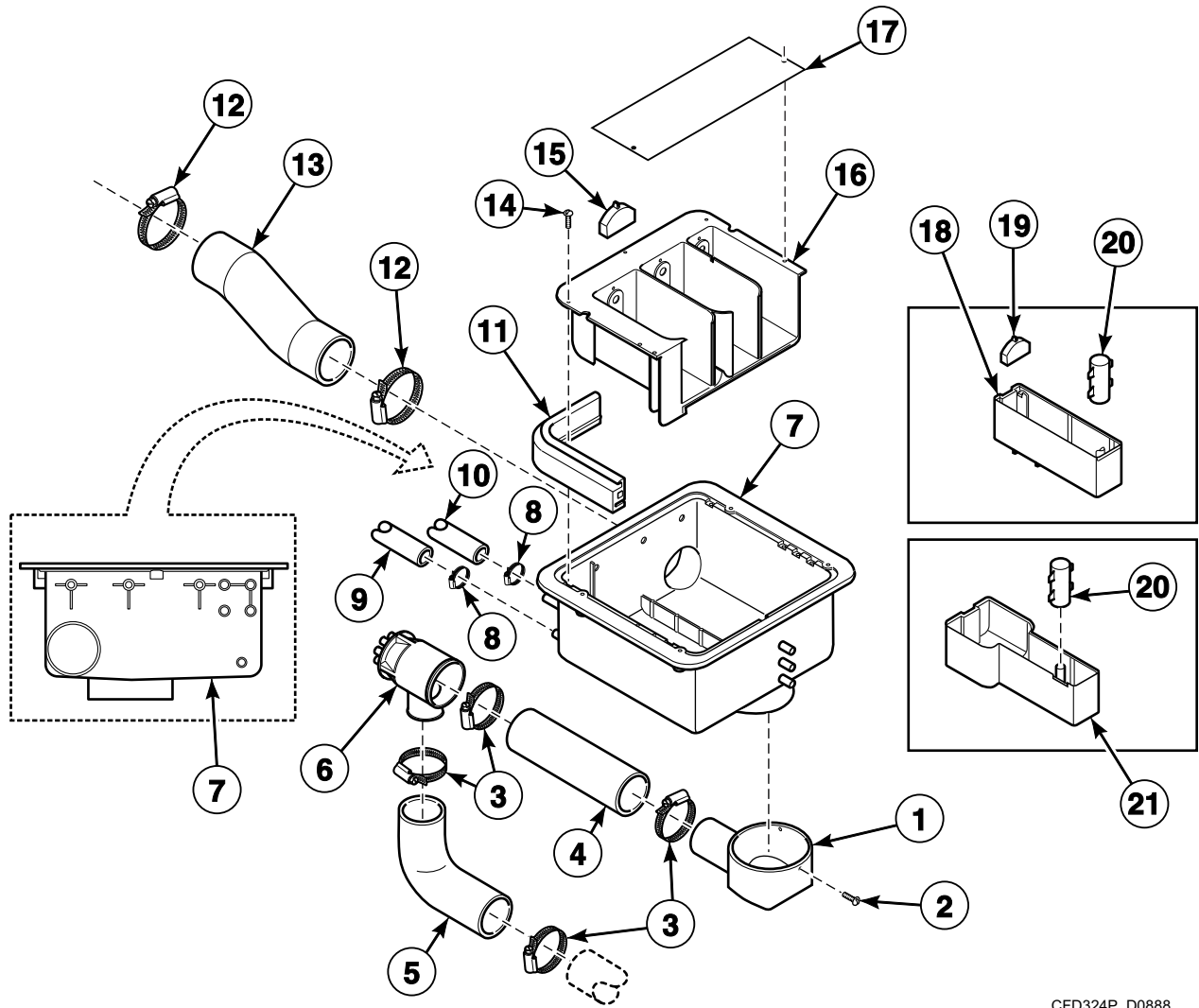


BE000880AP_D0888

Electrical Component Mounting Plate - Models Starting 2/23/09

REF	PART NO.	DESCRIPTION	COMMENTS
1	111/10003/40	Electrical Component Mounting Plate	
2	210/01064/16	Thermostat	*55 and *235 models
	210/01304/16	Thermostat	*75 and *305 models with Micro-20, Sigma and PS40F controls
	210/01064/16	Thermostat	*305 models with Cygnus controls
3	225/10004/00	Thermostat Seal	
4	206/00099/00	Bolt	
5	111/10005/00	Electrical Component Bridge	
6	209/06148/02	Heating Contactor	
7	209/00641/04	Heating Contactor	
8	223/00035/02	Pressure Switch Cap	
9	223/00333/00	Pressure Hose	
10	223/00173/10	Pressure Switch Hose Tee	
11	209/00027/10	Pressure Switch	

Supply Dispenser - *55 and *235 Models with Round Ventilation Opening

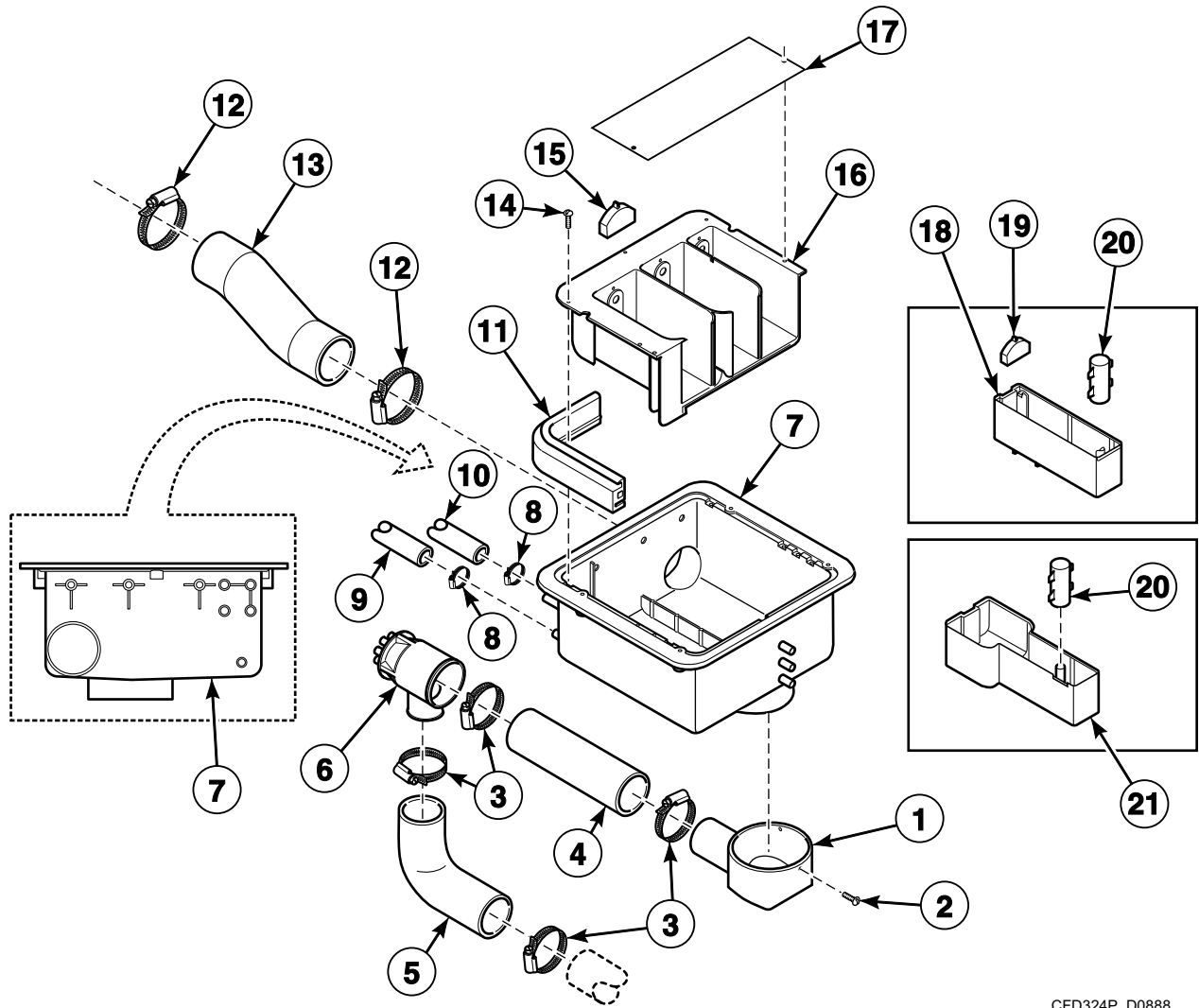


CFD324P_D0888

Supply Dispenser - *55 and *235 Models with Round Ventilation Opening

REF	PART NO.	DESCRIPTION	COMMENTS
1	223/00196/00	Dispenser Drain Funnel	
2	B12350903	Screw	
3	223/00071/00	Hose Clamp	
4	223/00263/00	Siphon Break Dispenser Hose	
5	223/00133/00	Drain Tub to Drain Valve Hose	
6	223/00249/00	Liquid Soap Manifold	
7	223/00102/40	Exterior Box	
	223/00102/60	Dispenser Assembly	Includes items 1 and 2
8	223/00010/00	Hose Clamp	
9	223/00044/01	Water Hose	
10	223/00059/00	Water Hose	
11	223/00109/00	Soap Dispenser Gasket	
12	223/00014/00	Hose Clamp	
13	223/00107/06	Vent Hose	
14	B12347501	Screw	
15	223/00102/06	Soap Spray Nozzle	
16	223/00102/30	Soap Dispenser Assembly	
17	123/00107/00	Anti-Splash Plate	Sigma control models
	123/00103/06	Soap Box Assembly Plate	All other models
18	223/00102/03	Rinse Insert	
19	223/00102/05	Softener Spray Nozzle	
20	223/00102/04	Soap Dispenser Rinse Siphon	
21	223/00102/08	Liquid Soap Dispenser Insert	

Supply Dispenser - *75 and *305 Models with Round Ventilation Opening

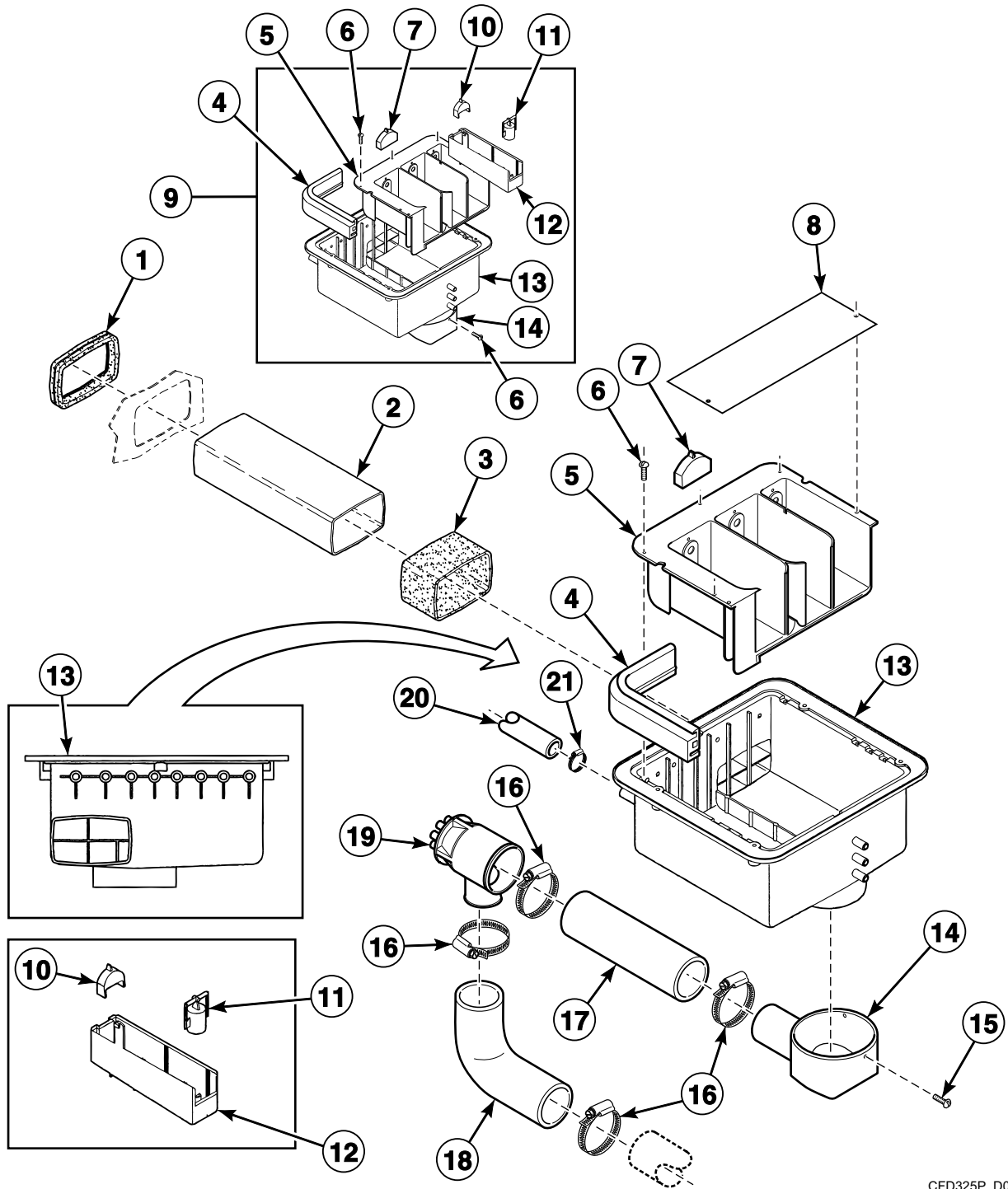


CFD324P_D0888

Supply Dispenser - *75 and *305 Models with Round Ventilation Opening

REF	PART NO.	DESCRIPTION	COMMENTS
1	223/00196/00	Dispenser Drain Funnel	
2	B12350903	Screw	
3	223/00071/00	Hose Clamp	
4	223/00264/00	Siphon Break Dispenser Hose	
5	223/00268/00	Siphon Break Hose	
6	223/00249/00	Liquid Soap Manifold	
7	223/00102/40	Exterior Box	
	223/00102/60	Dispenser Assembly	Includes items 1 and 2
8	223/00010/00	Hose Clamp	
9	223/00044/01	Water Hose	
10	223/00059/00	Water Hose	
11	223/00109/00	Soap Dispenser Gasket	
12	223/00014/00	Hose Clamp	
13	223/00388/00	Vent Hose	
14	B12347501	Screw	
15	223/00102/06	Soap Spray Nozzle	
16	223/00102/30	Soap Dispenser Assembly	
17	123/00107/00	Anti-Splash Plate	Sigma control models
	123/00103/06	Soap Box Assembly Plate	All other models
18	223/00102/03	Rinse Insert	
19	223/00102/05	Softener Spray Nozzle	
20	223/00102/04	Soap Dispenser Rinse Siphon	
21	223/00102/08	Liquid Soap Dispenser Insert	

Supply Dispenser - Models with Rectangular Ventilation Opening

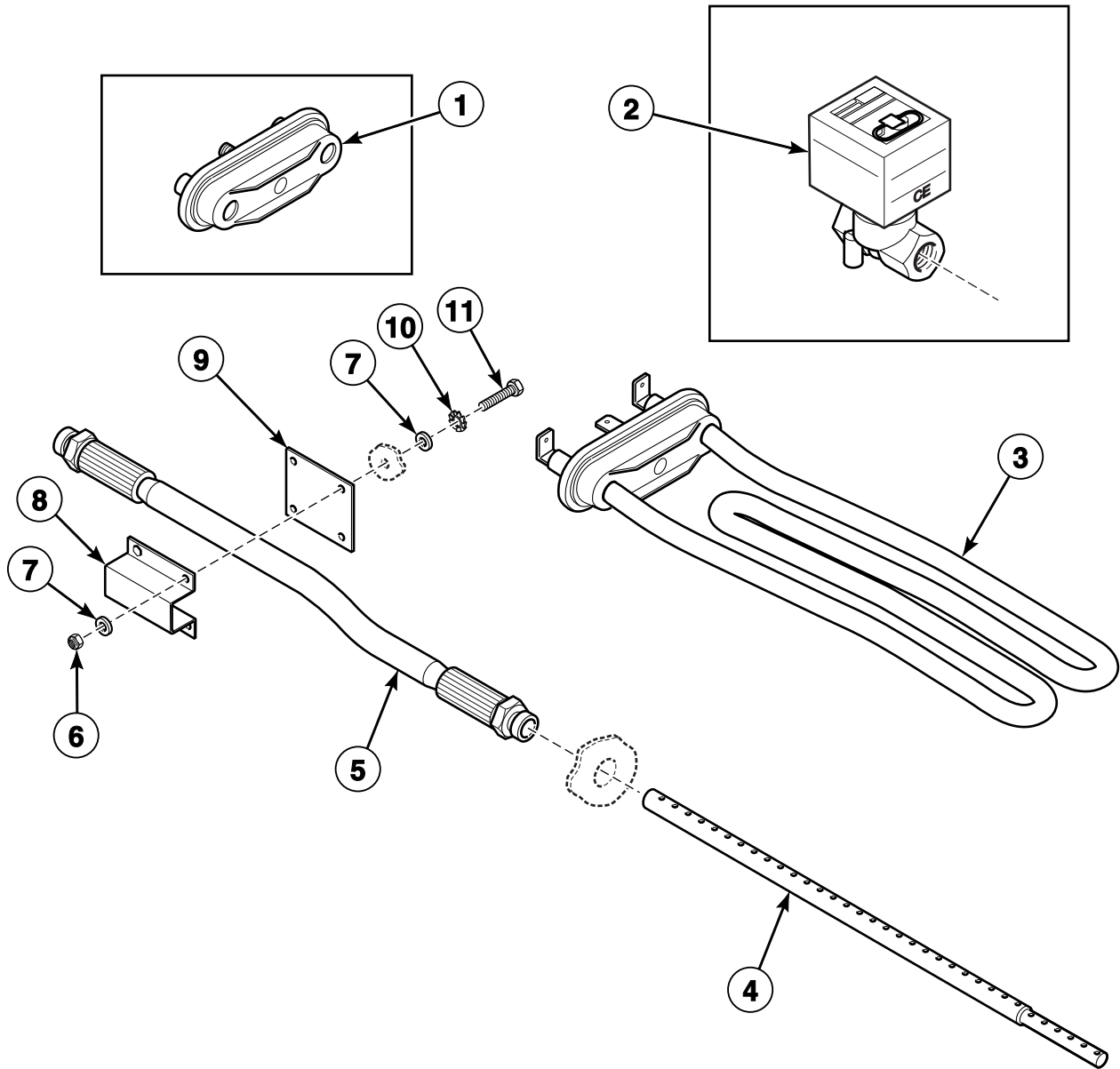


CFD325P_D0888

Supply Dispenser - Models with Rectangular Ventilation Opening

REF	PART NO.	DESCRIPTION	COMMENTS
1	223/00226/00	Vent Tube	
2	223/00229/00	Vent Tube	
3	223/00245/00	Shrink Fit	
4	223/00109/00	Soap Dispenser Gasket	
5	223/00222/60	Outer and Inner Box Kit	
6	B12347501	Screw	
7	223/00102/06	Soap Spray Nozzle	
8	123/00107/00	Anti-Splash Plate	Sigma control models
	123/00103/06	Soap Box Assembly Plate	All other models
9	223/00240/00	Soap Dispenser	
10	223/00222/03	Softener Spray Nozzle	
11	223/00222/04	Siphon Break	
12	223/00222/05	Rinsing Box	
13	223/00222/01	Exterior Box	
14	223/00196/00	Dispenser Drain Funnel	
15	B12350903	Screw	
16	223/00071/00	Hose Clamp	
17	223/00264/00	Siphon Break Dispenser Hose	*75 and *305 models
	223/00263/00	Siphon Break Dispenser Hose	*55 and *235 models
18	223/00268/00	Siphon Break Hose	*75 and *305 models
	223/00133/00	Drain Tub to Drain Valve Hose	*55 and *235 models
19	223/00249/00	Liquid Soap Manifold	
20	223/00044/00	Water Hose	
21	223/00010/00	Hose Clamp	

Steam and Electric Heating Options - *55 and *235 Models

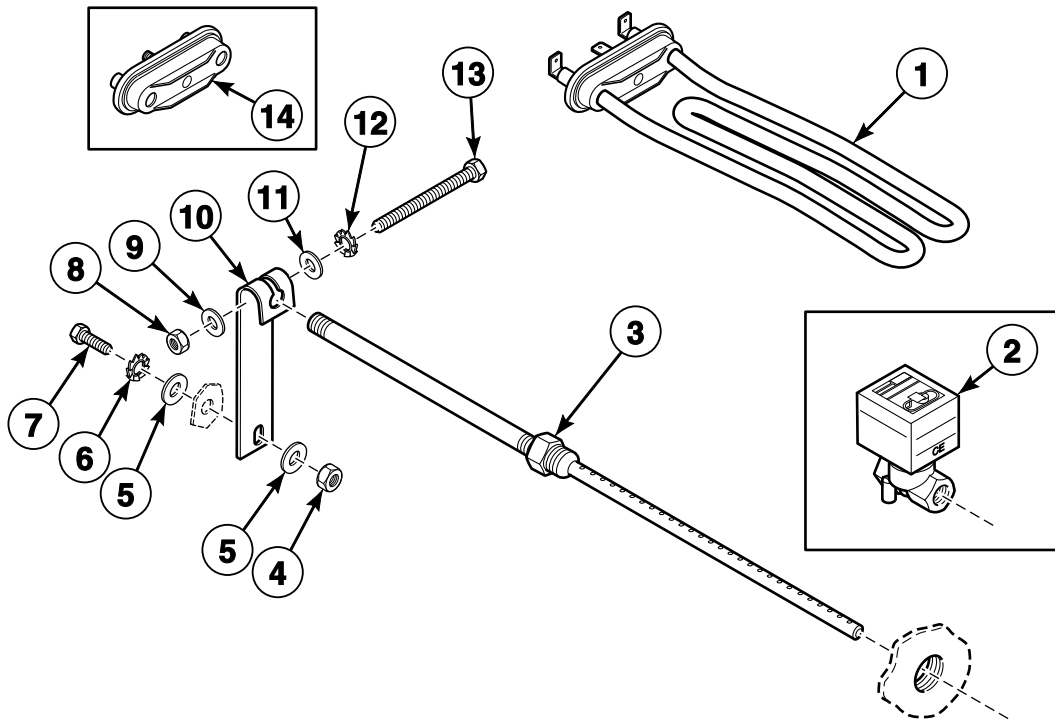


CFD426P_D0888

Steam and Electric Heating Options - *55 and *235 Models

REF	PART NO.	DESCRIPTION	COMMENTS
	922P3	Steam Heat Kit	Includes item 11 and 9001214 Washer, 9001227 Washer, 9001240 Washer, 9001241 Washer, 9001249 Nut, 9001250 Nut, 9001295 Bolt, 9001385 Steam Valve, 113/00028/00 Steam Injector Bracket, 118/00090/00 Steam Injector, 900/00266/00 Water Level Safety Switch, 901/00217/00 Contactor and Wiring Assembly and 209/00027/10B Water Level Switch
1	209/00196/00	Heating Element Plug	
2	209/00477/00	Steam Valve	
3	209/00581/10	Heating Element	4000W; 380 Volt
	209/00562/20	Heating Element	3000W; 220/240 Volt
	209/00563/20	Heating Element	2000W; 220/240 Volt
	209/00564/20	Heating Element	1400W; 220/240 Volt
4	217/00061/00	Steam Injector	
5	217/00034/00	Steam Hose	
6	204/00004/00	Nut	
7	202/00002/00	Washer	
8	111/00155/00	Steam Bracket	
9	111/00155/10	Bracket Support	
10	203/00003/00	Washer	
11	206/00035/00	Bolt	

Steam and Electric Heating Options - *75 and *305 Models

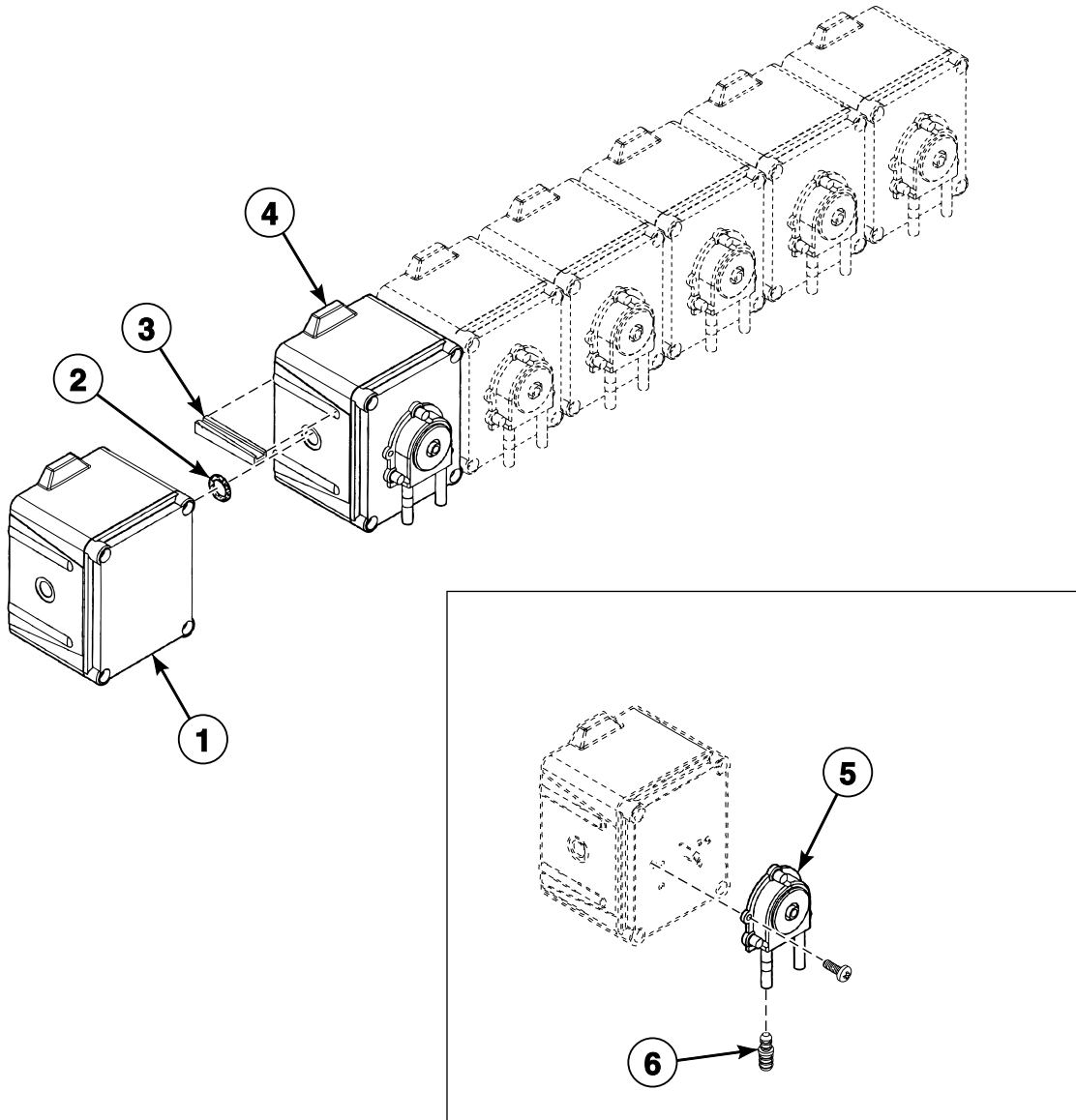


BE000391P_D0888

Steam and Electric Heating Options - *75 and *305 Models

REF	PART NO.	DESCRIPTION	COMMENTS
	923P3	Steam Heat Kit	Includes items 3, 10, 13, 9001214 Washer, 9001227 Washer, 9001240 Washer, 9001241 Washer, 9001249 Nut, 9001250 Nut, 9001295 Bolt, 9001385 Steam Valve, 900/00266/00 Water Level Safety Switch, 901/00217/00 Contactor and Wiring Assembly and 209/00027/10B Water Level Switch
1	209/00581/10	Heating Element	4000W; 380 Volt
	209/00562/20	Heating Element	3000W; 220/240 Volt
	209/00563/20	Heating Element	2000W; 220/240 Volt
	209/00564/20	Heating Element	1400W; 220/240 Volt
2	209/00476/00	Steam Valve	
3	119/00089/00	Steam Injector	
4	204/00005/00	Nut	
5	201/00007/00	Washer	
6	203/00004/00	Washer	
7	206/00013/00	Bolt	
8	204/00004/00	Nut	
9	202/00002/00	Washer	
10	113/00028/00	Steam Injector Bracket	
11	202/00002/00	Washer	
12	203/00003/00	Washer	
13	206/00035/00	Bolt	

Soap Pumps



BE000527AP_D0888

Soap Pumps

REF	PART NO.	DESCRIPTION	COMMENTS
1	209/00554/01	Soap Pump Assembly	1 pump and 1 feeding pump
	209/00554/02	Soap Pump Assembly	2 pumps and 1 feeding pump
	209/00554/03	Soap Pump Assembly	3 pumps and 1 feeding pump
	209/00554/04	Soap Pump Assembly	4 pumps and 1 feeding pump
	209/00554/05	Soap Pump Assembly	5 pumps and 1 feeding pump
	209/00554/06	Soap Pump Assembly	6 pumps and 1 feeding pump
	209/00554/51	Feeding Liquid Soap Dosing Pump	
2	209/00554/52	Liquid Soap Dosing Pump O-Ring	
3	209/00554/53	Liquid Soap Dosing Pump Connection Piece	
4	209/00554/50	Pump	
5	209/00554/98	Hose	
6	209/00554/99	Hose Connector	