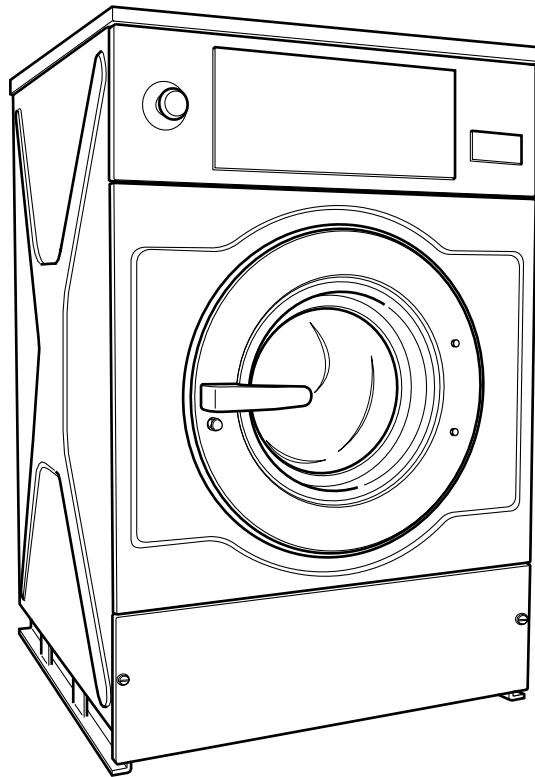


Washer-Extractor

Cabinet Hardmount

Refer to Page 5 for Model Numbers





CHM2097N_D0881



Model Identification

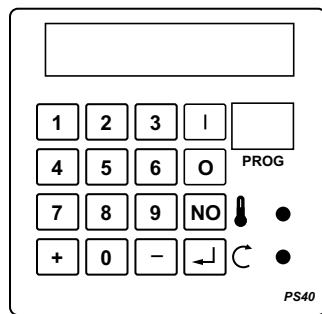
Information in this manual is applicable to these washer-extractor models:

CWF018AN2	IWF025AN2	IWF074AN2	WF65_CYGNUS-COMM_COIN
CWF018MN2	IWF025MC2	IWF074MC2	WF65_CYGNUS-COMM_OPL
CWF025AN2	IWF025MD2	IWF074MD2	WF65_CYGNUS-PREM_COIN
CWF025MN2	IWF025ME2	IWF074ME2	WF65_CYGNUS-PREM_OPL
IWF014AN2	IWF025ML2	IWF074ML2	WF65_CYGNUS-PRO
IWF014MC2	IWF025MN2	IWF074MN2	WF65_CYGNUS-STANDARD_COIN
IWF014MD2	IWF025MX2	IWF074MX2	WF65_CYGNUS-STANDARD_OPL
IWF014ME2	IWF025MY2	IWF074MY2	WF65_MICRO-20_COIN
IWF014ML2	IWF025SC2	IWF074SC2	WF65_MICRO-20_OPL
IWF014MN2	IWF025SD2	IWF074SD2	WF65_PS40F
IWF014MX2	IWF025SE2	IWF074SE2	WF65_SIGMA_COIN
IWF014MY2	IWF025SL2	IWF074SL2	WF65_SIGMA_OPL
IWF014SC2	IWF025SR2	IWF074SR2	WF75_CYGNUS-COMM_COIN
IWF014SD2	IWF025SX2	IWF074SX2	WF75_CYGNUS-COMM_OPL
IWF014SE2	IWF025SY2	IWF074SY2	WF75_CYGNUS-PREM_COIN
IWF014SL2	IWF065AN2	IWF074ZN2	WF75_CYGNUS-PREM_OPL
IWF014SR2	IWF065MC2	IWF100AN2	WF75_CYGNUS-PRO
IWF014SX2	IWF065MD2	IWF100MC2	WF75_CYGNUS-STANDARD_COIN
IWF014SY2	IWF065ME2	IWF100MD2	WF75_CYGNUS-STANDARD_OPL
IWF018AN2	IWF065ML2	IWF100ME2	WF75_MICRO-20_COIN
IWF018MC2	IWF065MN2	IWF100ML2	WF75_MICRO-20_OPL
IWF018MD2	IWF065MX2	IWF100MN2	WF75_PS40F
IWF018ME2	IWF065MY2	IWF100MX2	WF75_SIGMA_COIN
IWF018ML2	IWF065SC2	IWF100MY2	WF75_SIGMA_OPL
IWF018MN2	IWF065SD2	IWF100SC2	WF100_CYGNUS-COMM_COIN
IWF018MX2	IWF065SE2	IWF100SD2	WF100_CYGNUS-COMM_OPL
IWF018MY2	IWF065SL2	IWF100SE2	WF100_CYGNUS-PREM_COIN
IWF018SC2	IWF065SR2	IWF100SL2	WF100_CYGNUS-PREM_OPL
IWF018SD2	IWF065SX2	IWF100SR2	WF100_CYGNUS-PRO
IWF018SE2	IWF065SY2	IWF100SX2	WF100_CYGNUS-STANDARD_COIN
IWF018SL2	IWF065ZN2	IWF100SY2	WF100_CYGNUS-STANDARD_OPL
IWF018SR2		IWF100ZN2	WF100_MICRO-20_COIN
IWF018SX2			WF100_MICRO-20_OPL
IWF018SY2			WF100_PS40F
			WF100_SIGMA_COIN
			WF100_SIGMA_OPL

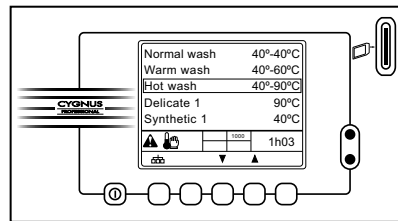
Cabinet Hardmount Washer-Extractor Product Overview

Type:	WFF75C	Nr: 07110WD0339
Voltage:	3 ~ 400V 50Hz	Weight: 181 kg
Motor:	0.55kW 2.5A	Capacity: 73 L
Heating:	9kW 16A	Dry Load: 7,3 kg
Total:	9.55 kW	Drum: 530 mm
Kinetic energy:	592 Nm	Speed: 700 rpm
Manufactured in:	2007	
Water Pressure: min. 2.07 max. 5.86 Kg/cm ² IPX4 min. 20.7 max. 58.6 N/cm ²		
sfc 741837		
 Alliance International BVBA Nieuwstraat 146 8560 Wevelgem Belgium Tel: +32 56 41 20 54 Fax: +32 56 41 86 74 www.ipso.be		

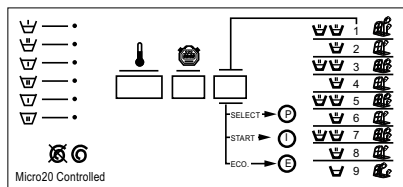
Model No:	IWF018MNMX10U01	Serial No: 0710WD0152
Volts Hertz:	208-240 50/60	Type: WFF75
Phase:	1 - 3	
Amps:	6 amps	Capacity: 18/ 7 lbs/kg
Recommended Circuit Breaker:	15 amps	Water Pressure: 30-85 psi
Interrupt Current:	10 kA	Pressure: 2.07-5.86 bar
Motor:	1 hp 0,75 kW	Max Speed: 700 rpm
Elec Heat:	N/A kW	Net Weight: 400 lbs 181 kg
Steam heat:	N/A psi N/A bar	IPX4
 Alliance International BVBA Made in Belgium TEL 1-920-748-3121 www.comlaundry.com		 INTERTEK LISTED C US 100740 CONFORMS TO ANSIIUL STD 2157 CERTIFIED TO CANICSA STD C222 NO.169-94



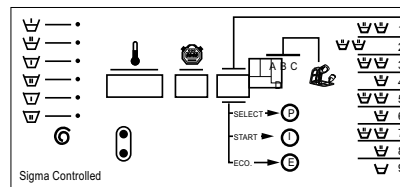
PS40



Cygnus Professional



Micro 20



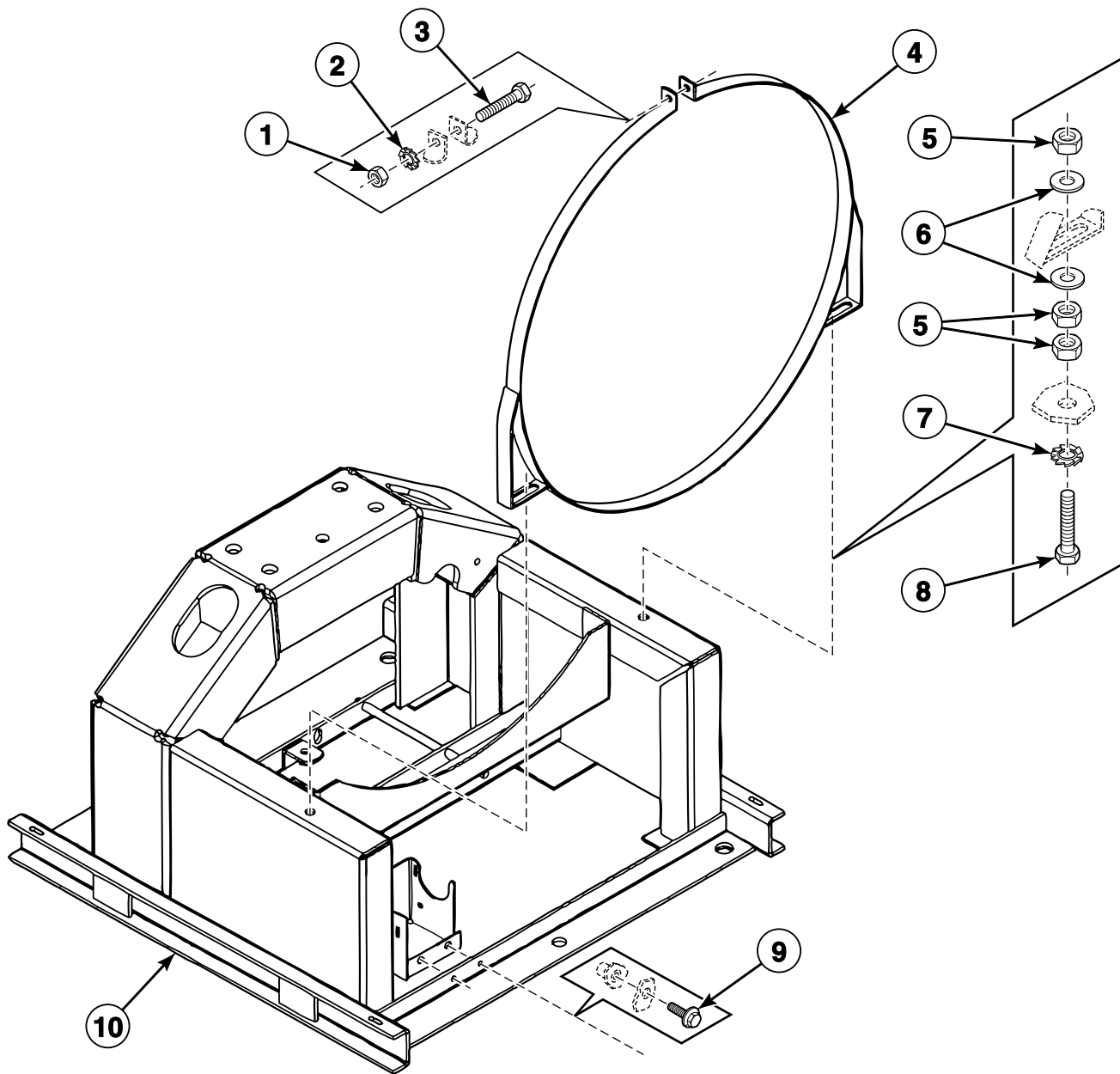
Sigma

CHM3066P_D0881

Cabinet Hardmount Washer-Extractor Product Overview

REF	PART NO.	DESCRIPTION	COMMENTS
1	-	Product Family	CWF IWF WF
2	-	Capacity	014 018 025 065 074 65 75 100
3	-	Control	A (PS40F) Cygnus-Comm Cygnus-Prem Cygnus-Standard M (Micro-20) S (Sigma) Z (Cygnus-Pro)
4	-	Actuation	C (Coin Drop Meter) D (Dual Coin Drop) E (Electronic Drop) L (Prep for Remote or Central Pay) N (Non-Coin) R (Smart Card Ready) X (Prep for Coin) Y (Card Ready)
5	-	Speed	2 (Normal)
6	-	Voltage	N (440-480/50-60/3/3) P (380-415/50-60/3/3) Q (208-240/50-60/3/3) X (200-240/50-60/1/3)
7	-	Design	1

Frame

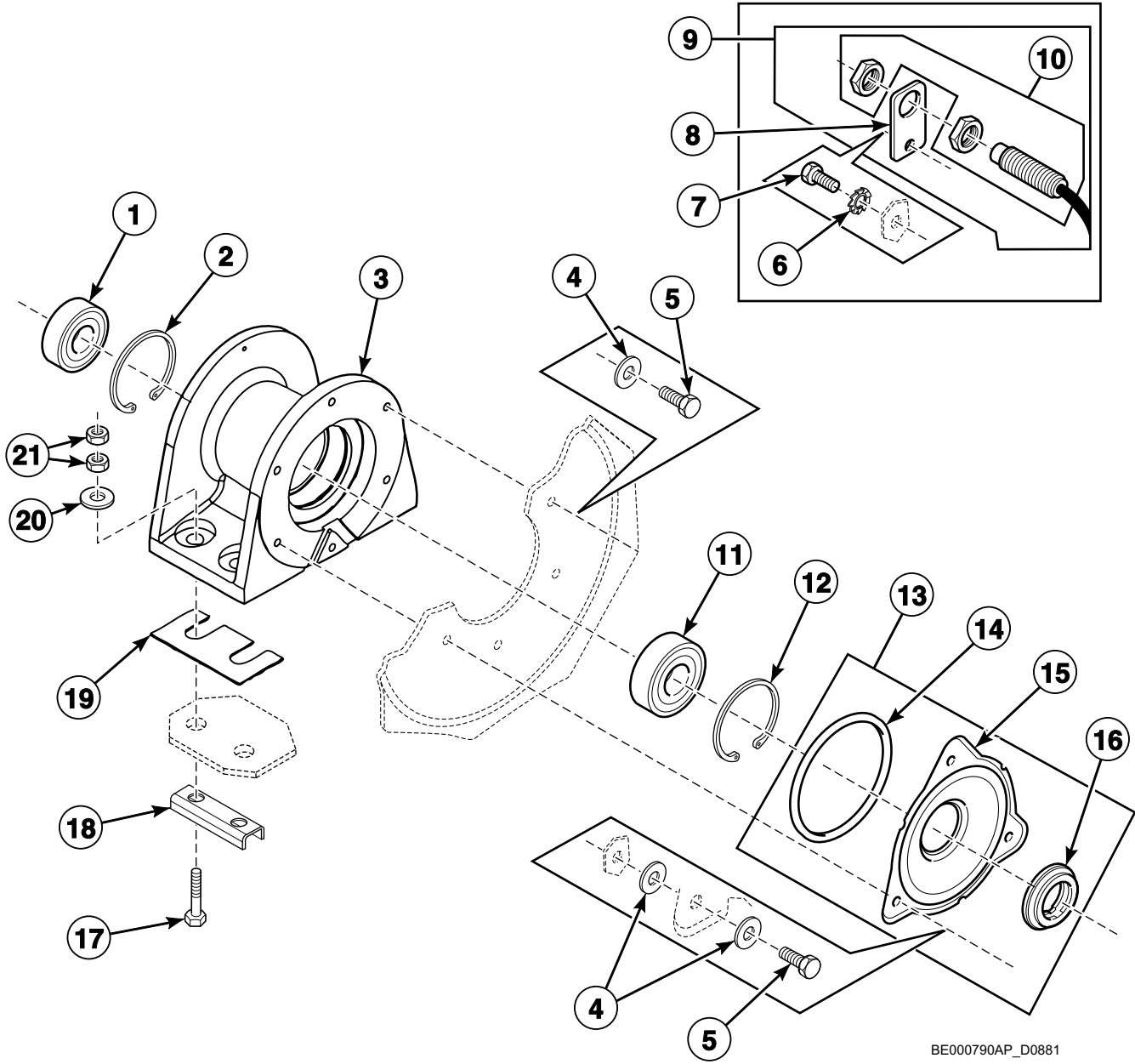


BE000835P_D0881

Frame

REF	PART NO.	DESCRIPTION	COMMENTS
1	204/00004/00	Nut	
2	203/00003/00	Washer	
3	206/00007/00	Screw	
4	212/00113/00	Tub Fastening Ring	
5	204/00002/00	Nut	
6	201/00005/00	Washer	
7	203/00001/00	Washer	
8	206/00079/00	Bolt	
9	206/00099/00	Bolt	
10	212/00104/50	Chassis	*14 and *65 models
	212/00105/50	Chassis	*18, *74 and *75 models
	212/00106/50	Chassis	*25 and *100 models

Bearing Housing - Models Through 1/30/11

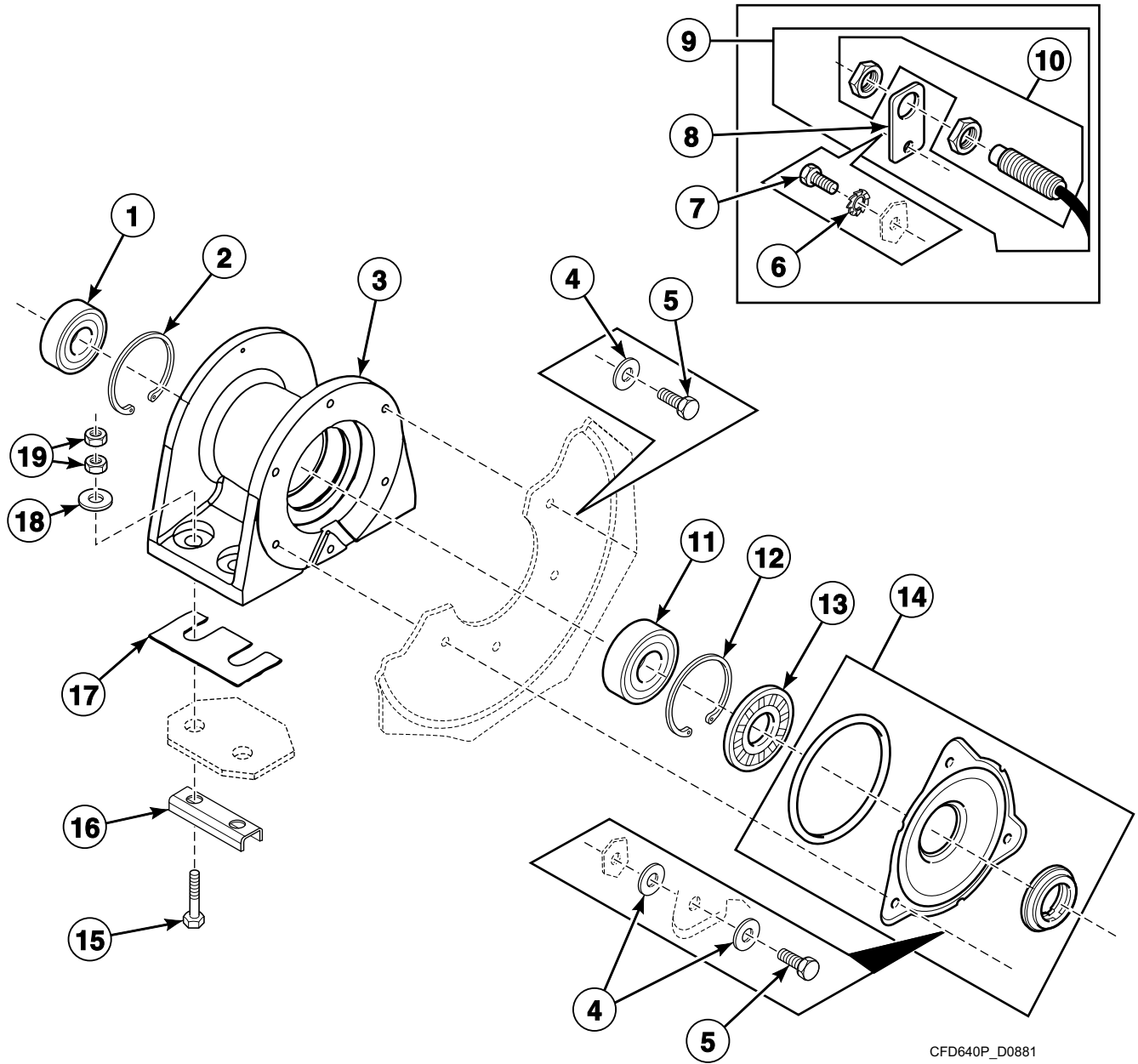


BE000790AP_D0881

Bearing Housing - Models Through 1/30/11

REF	PART NO.	DESCRIPTION	COMMENTS
	387P4	Bearing Replacement Kit	Includes items 1, 4, 5, 11, 13, F8382001P Deflector Inlet, 217/00004/00 Counter Ring and 223/00242/10 Tub Gasket
	380P3	Bearing Replacement Tool Kit	
1	215/00001/03	Ball Bearing	6307-2Z
2	212/00028/00	Retaining Ring	J80
3	212/00100/00	Bearing Housing Assembly	Includes items 1, 2 and 11-16
	212/00100/01	Bearing Housing	
4	201/00201/00	Washer	
5	205/00102/00	Bolt	
6	203/00004/00	Washer	
7	205/00104/00	Bolt	
8	152/00055/00	Speed Detector Bracket	
9	210/00074/00	Speed Detector	Includes items 8 and 10
10	209/00400/00	Speed Detector	
11	216/00001/02	Ball Bearing	6308-2Z
12	212/00038/00	Retaining Ring	J90
13	117/00001/01	Shaft Seal Holder	Includes items 14-16; *14 and *65 models requires 111/01916/00 Drum and Axle; *18, *74 and *75 models requires 111/01917/00 Cylinder and Shaft Assembly; *25 and *100 models requires 111/01918/00 Drum and Axle
14	217/00002/00	O-Ring	*14 and *64 models requires 111/01916/00 Drum and Axle; *18, *74 and *75 models requires 111/01917/00 Cylinder and Shaft Assembly; *25 and *100 models requires 111/01918/00 Drum and Axle
15	117/00001/00	Seal Cover	*14 and *64 models requires 111/01916/00 Drum and Axle; *18, *74 and *75 models requires 111/01917/00 Cylinder and Shaft Assembly; *25 and *100 models requires 111/01918/00 Drum and Axle
16	217/00003/00	Shaft Seal	*14 and *64 models requires 111/01916/00 Drum and Axle; *18, *74 and *75 models requires 111/01917/00 Cylinder and Shaft Assembly; *25 and *100 models requires 111/01918/00 Drum and Axle
17	206/00093/00	Bolt	
18	113/00065/00	U-Piece Assembly	
19	113/00020/02	Bearing Housing Plate	1 mm
	113/00020/01	Bearing Housing Plate	2 mm
20	201/00001/00	Washer	
21	204/00010/00	Nut	

Bearing Housing - Models Starting 1/31/11

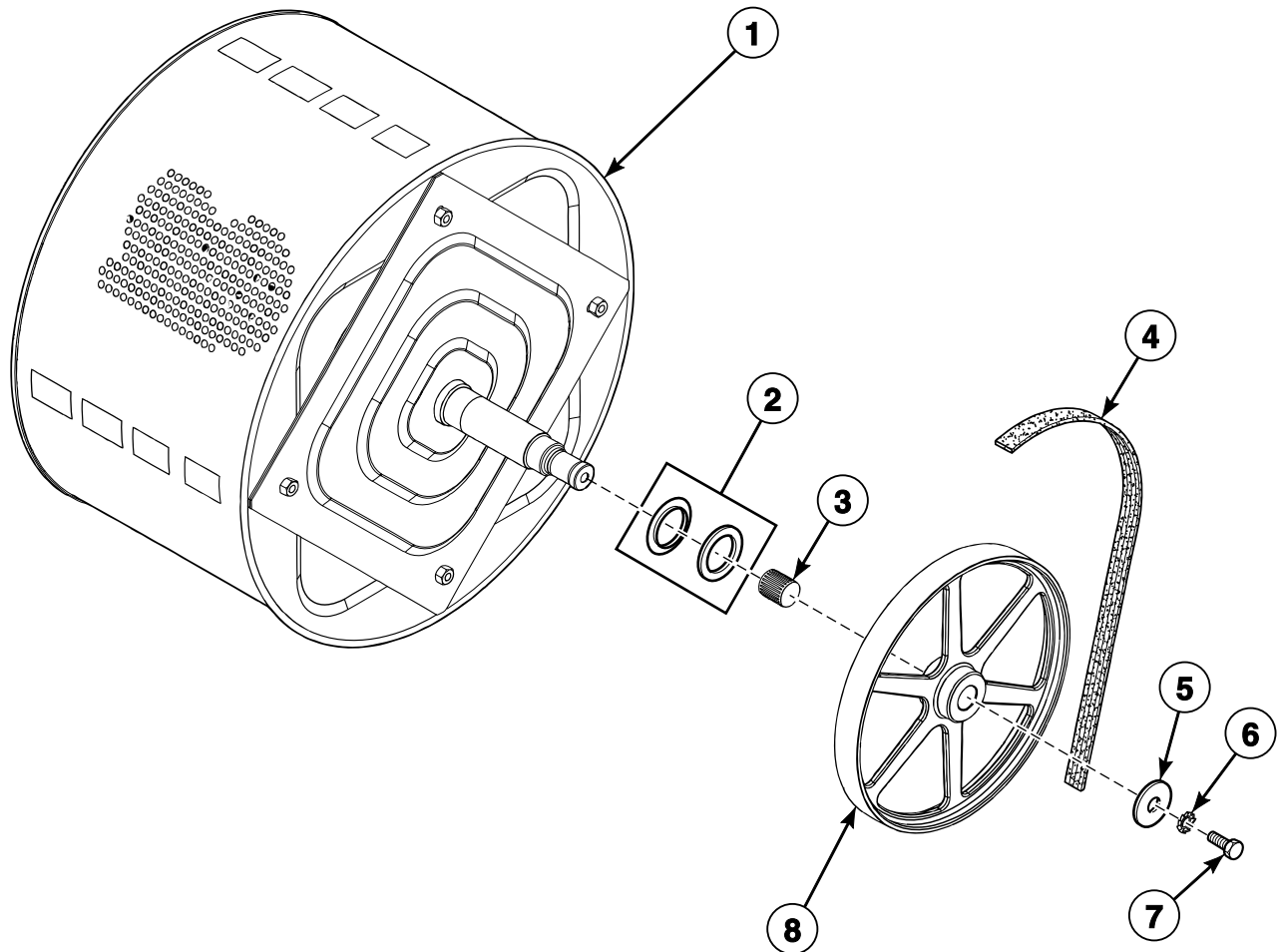


CFD640P_D0881

Bearing Housing - Models Starting 1/31/11

REF	PART NO.	DESCRIPTION	COMMENTS
	3881P	Bearing Kit	Includes items 1, 4, 5, 11, 13, 14, 217/00004/00 Counter Ring and 223/00242/10 Tub Gasket
	380P3	Bearing Replacement Tool Kit	
1	215/00001/03	Ball Bearing	6307-2Z
2	212/00028/00	Retaining Ring	J80
3	212/00100/00	Bearing Housing Assembly	Includes items 1, 2 and 11-13
	212/00100/01	Bearing Housing	
4	201/00201/00	Washer	
5	205/00102/00	Bolt	
6	203/00004/00	Washer	
7	205/00104/00	Bolt	
8	152/00055/00	Speed Detector Bracket	
9	210/00074/00	Speed Detector	Includes items 8 and 10
10	209/00400/00	Speed Detector	
11	216/00001/02	Ball Bearing	6308-2Z
12	212/00038/00	Retaining Ring	J90
13	B12332201	Lip Seal	
14	B12333601	Seal Plate Assembly	*14 and *65 models 3 mm requires B12379501 Basket and Shaft Assembly; 9 mm requires B12379601 Basket and Shaft Assembly; *18, *74 and *75 models 3 mm requires B12379701 Basket and Shaft Assembly; 9 mm requires B12379801 Basket and Shaft Assembly; *25 and *100 models 3 mm requires B12379901 Basket and Shaft Assembly; 9 mm requires B12380001 Basket and Shaft Assembly
15	206/00093/00	Bolt	
16	113/00065/00	U-Piece Assembly	
17	113/00020/02	Bearing Housing Plate	1 mm
	113/00020/01	Bearing Housing Plate	2 mm
18	201/00001/00	Washer	
19	204/00010/00	Nut	

Basket, Pulley and Belt

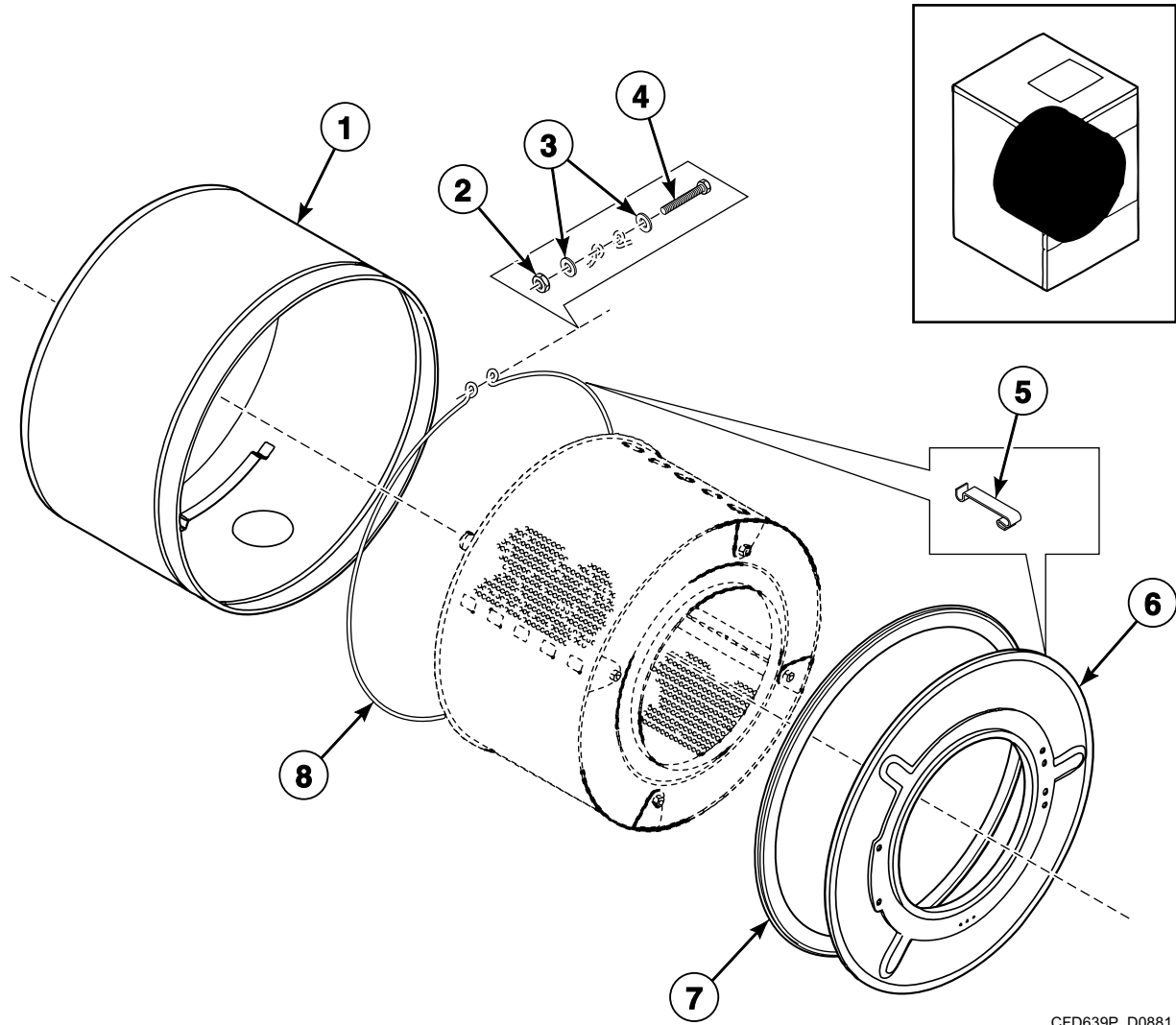


BE000840P_D0881

Basket, Pulley and Belt

REF	PART NO.	DESCRIPTION	COMMENTS
1	B12325701	Drum and Axle	*14 and *65 models; Models through 1/30/11; Requires 117/00001/01 Shaft Seal Holder
	B12542601	Basket Kit	*14 and *65 models; Models through 1/30/11; Includes B12379501 Basket and Shaft Assembly and 3881P Bearing Kit
	B12379501	Basket and Shaft Assembly	*14 and *65 models; Models starting 1/31/11; 3 mm; Requires B12333601 Seal Plate Assembly
	B12379601	Basket and Shaft Assembly	*14 and *65 models; Models starting 1/31/11; 9 mm; Requires B12333601 Seal Plate Assembly
	B12325301	Cylinder and Shaft Assembly	*18, *74 and *75 models; Models through 1/30/11; Requires 117/00001/01 Shaft Seal Holder
	B12542701	Basket Kit	*18, *74 and *75 models; Models through 1/30/11; Includes B12379701 Basket and Shaft Assembly and 3881P Bearing Kit
	B12379701	Basket and Shaft Assembly	*18, *74 and *75 models; Models starting 1/31/11; 3 mm; Requires B12333601 Seal Plate Assembly
	B12379801	Basket and Shaft Assembly	*18, *74 and *75 models; Models starting 1/31/11; 9 mm; Requires B12333601 Seal Plate Assembly
	B12326101	Drum and Axle	*25 and *100 models; Models through 1/30/11; Requires 117/00001/01 Shaft Seal Holder
	B12542801	Basket Kit	*25 and *100 models; Models through 1/30/11; Includes B12379901 Basket and Shaft Assembly and 3881P Bearing Kit
	B12379901	Basket and Shaft Assembly	*25 and *100 models; Models starting 1/31/11; 3 mm; Requires B12333601 Seal Plate Assembly
	B12380001	Basket and Shaft Assembly	*25 and *100 models; Models starting 1/31/11; 9 mm; Requires B12333601 Seal Plate Assembly
	2	217/00004/00	Counter Ring
3	215/00004/00	Tolerance Ring	
4	226/00140/00	Belt	Models through 3/6/11; 1397J
	226/00153/00	Belt	Models starting 3/7/11; 1397J
5	201/00015/00	Washer	
6	203/00002/00	Washer	
7	206/00005/00	Bolt	
8	226/00141/00	Drum Pulley	

Shell



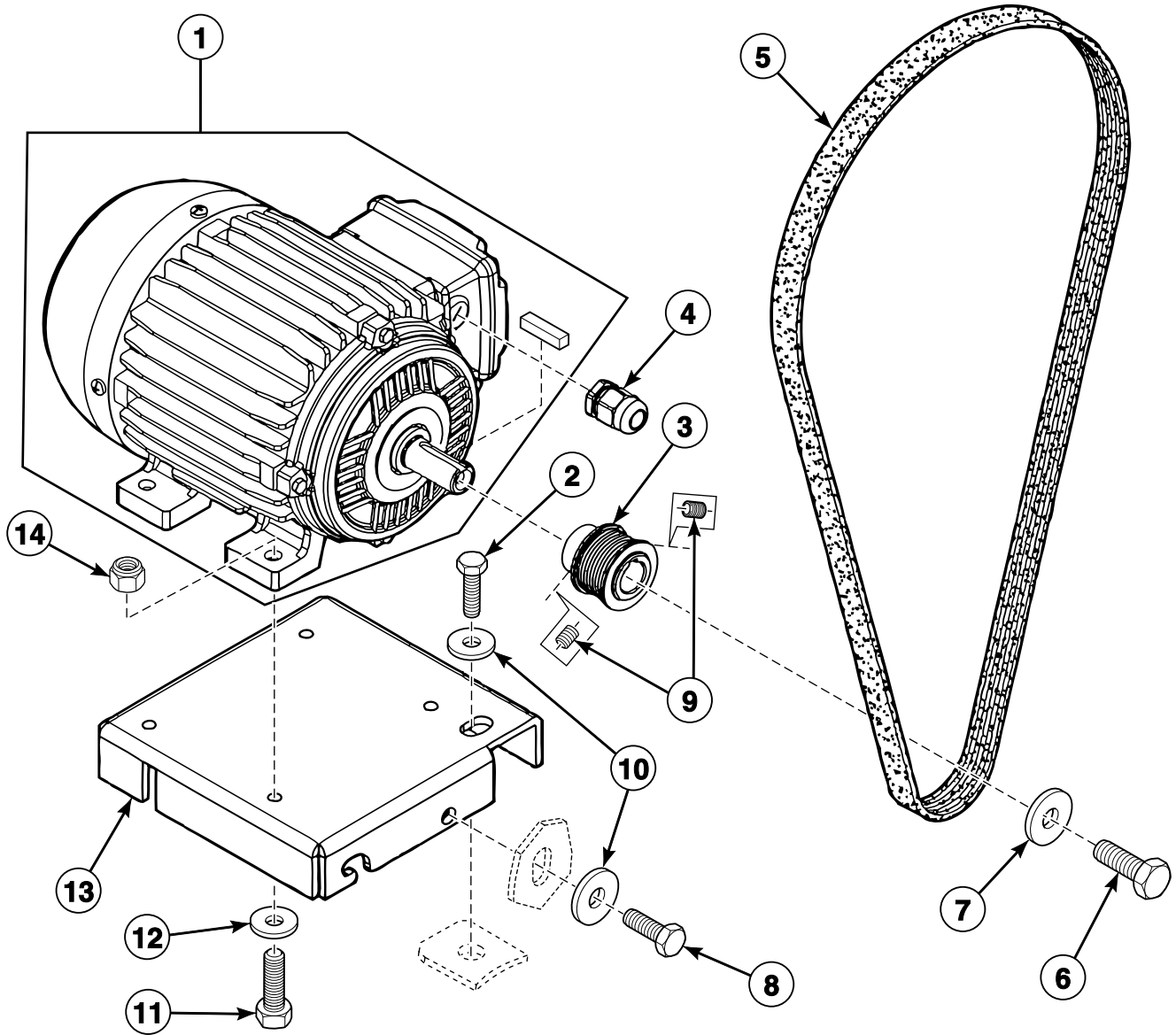
CFD639P_D0881

Shell

REF	PART NO.	DESCRIPTION	COMMENTS
1	N/A	Outer Tub	*14 and *65 models; Standard; Models through Serial No. 10080CW0038
	N/A	Outer Tub	*14 and *65 models; Electric heat; Models through Serial No. 10080CW0038
	N/A	Outer Tub	*18, *74 and *75 models; Standard; Models through Serial No. 10080DW0309
	N/A	Outer Tub	*18, *74 and *75 models; Electric heat; Models through Serial No. 10080DW0309
	N/A	Outer Tub	*25 and *100 models; Standard; Models through Serial No. 10080WE0149
	117/00202/00	Outer Tub	*25 and *100 models; Electric heat; Models through Serial No. 10080WE0149
	B12328101	Outer Tub	*14 and *65 models; Standard; Models starting Serial No. 10080CW0038
	B12328001	Outer Tub	*14 and *65 models; Electric heat; Models starting Serial No. 10080CW0038
	B12328401	Outer Tub	*18, *74 and *75 models; Standard; Models starting Serial No. 10080DW0309
	B12328301	Outer Tub	*18, *74 and *75 models; Electric heat; Models starting Serial No. 10080DW0309
	B12328701	Outer Tub	*25 and *100 models; Standard; Models starting Serial No. 10080WE0149
	B12328601	Outer Tub	*25 and *100 models; Electric heat; Models starting Serial No. 10080WE0149
2	204/00009/00	Nut	
3	201/00007/00	Washer	
4	206/00032/00	Bolt	
5	217/00008/00	Tub Front Panel Clip	
6	118/00022/01	Tub Front	
7	B12351601	Tub Front Gasket	
8	217/00007/00	Tub Front Ring Clamp	

N/A = Part no longer available

Motor and Belt

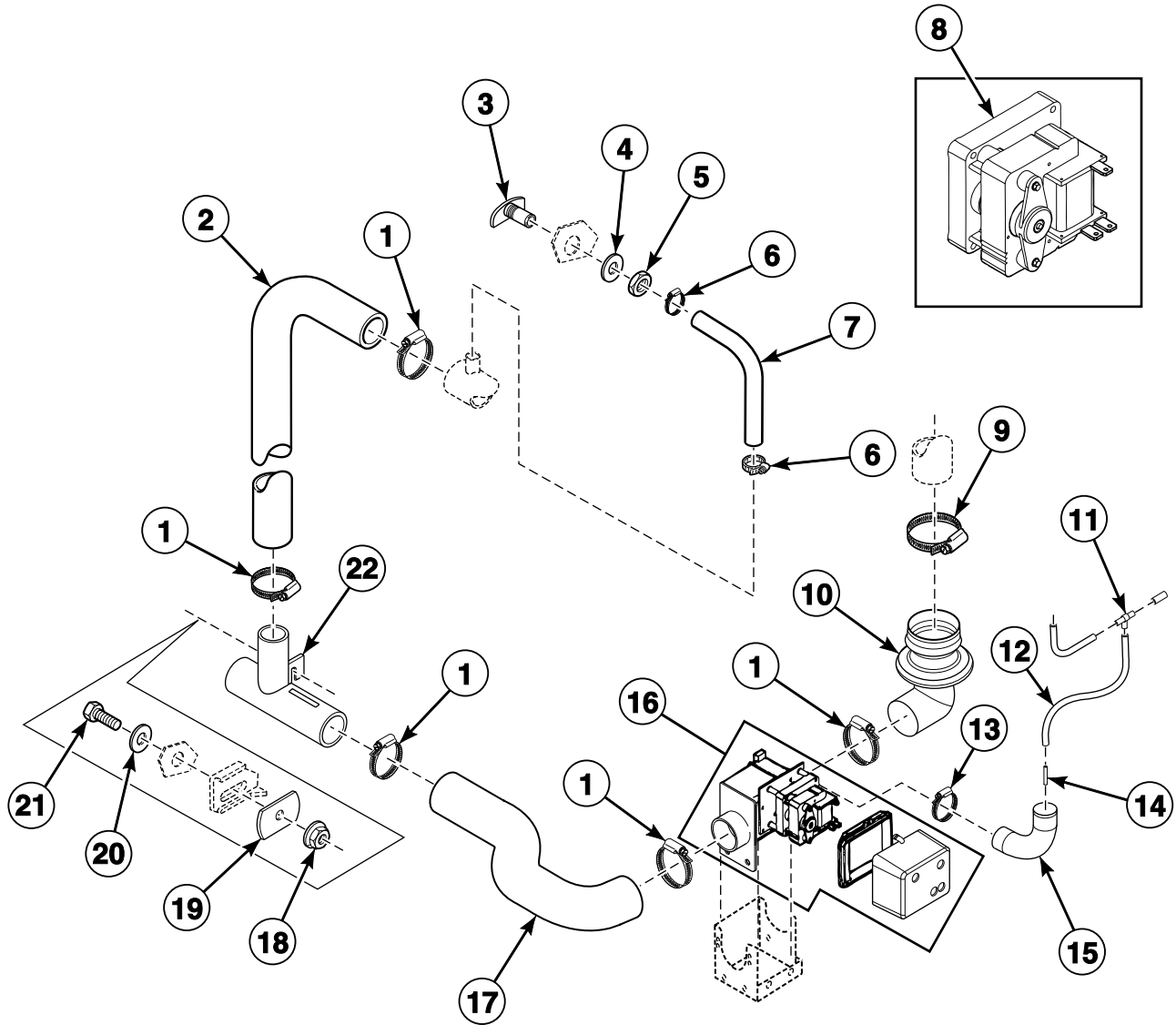


BE000793BP_D0881

Motor and Belt

REF	PART NO.	DESCRIPTION	COMMENTS
1	227/00203/00	Motor	Models through 3/6/11; .37 kW; No longer available; Contact Alliance Laundry Systems' Customer Service department for replacement motor, motor pulley and inverter drive parameter information
	255/00014/00	Motor	Models starting 3/7/11; .55 kW; WEG; Order replacement motor pulley when replacing motor
	B12386601	Motor Kit	For converting from .37kW motor to .55 kW motor
2	206/00119/00	Bolt	
3	226/00143/00	Motor Pulley	Models through 3/6/11
	226/00154/00	Motor Pulley	Models starting 3/7/11
4	211/00167/00	Cordlock	
5	226/00140/00	Belt	Models through 3/6/11
	226/00153/00	Belt	Models starting 3/7/11
6	205/00108/00	Bolt	
7	201/00006/00	Washer	
8	206/00006/00	Bolt	
9	206/00058/00	Screw	
10	201/00010/00	Washer	
11	206/00019/00	Bolt	
12	202/00002/00	Washer	
13	115/11100/00	Motor Mounting Plate	Models through 3/6/11
	115/11065/00	Motor Mounting Plate	Models starting 3/7/11
14	204/00109/00	Nut	

Drain Plumbing - Models Through 8/11/10 with 2 Inch Drain Valve

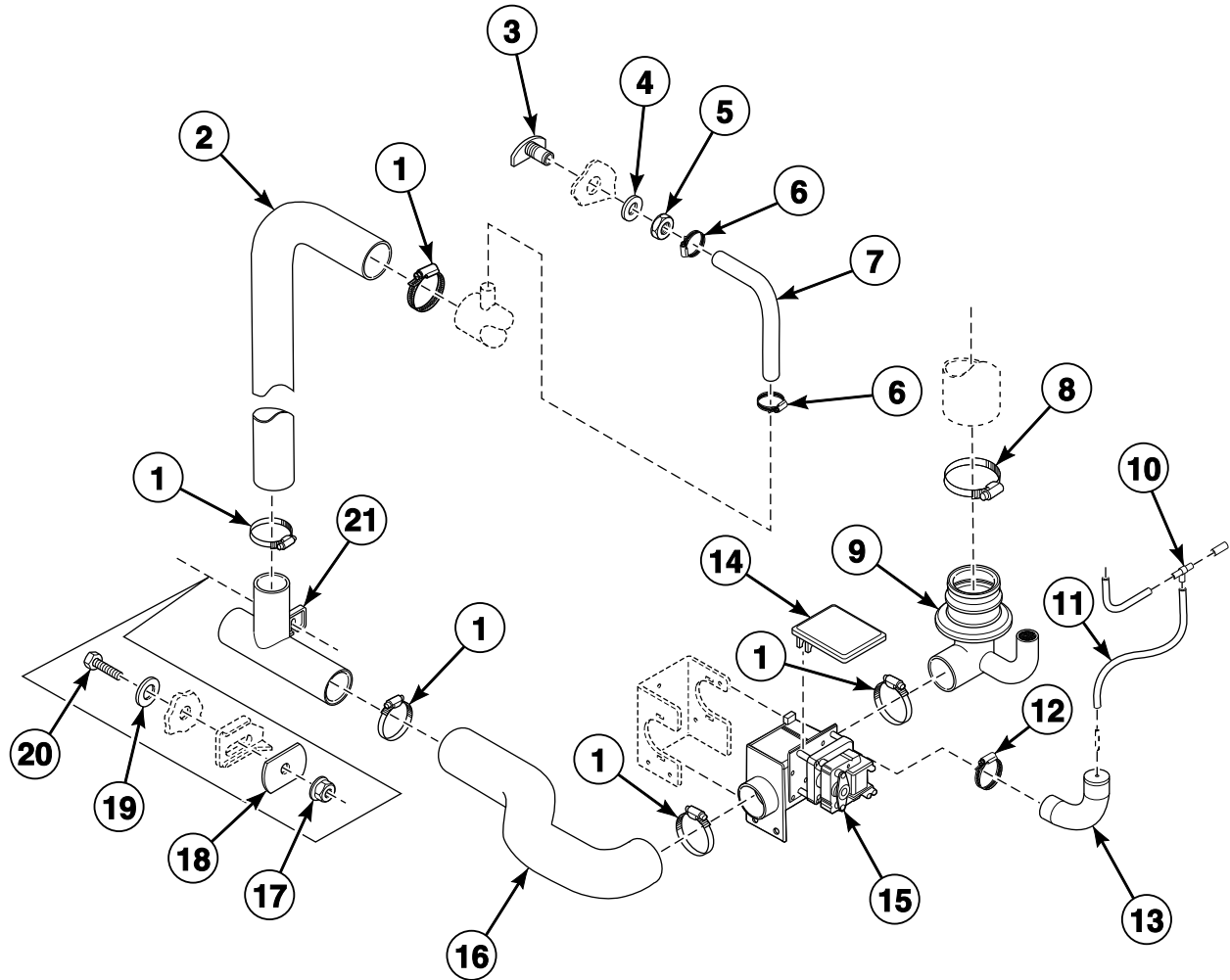


BE000794BP_D0881

Drain Plumbing - Models Through 8/11/10 with 2 Inch Drain Valve

REF	PART NO.	DESCRIPTION	COMMENTS
1	223/00013/00	Hose Clamp	
2	223/00150/00	Overflow Hose	
3	223/00001/04	Prewash and Mainwash Nozzle	
4	201/00002/00	Washer	
5	204/00201/00	Nut	
6	223/00010/00	Hose Clamp	
7	223/00044/00	Water Hose	
8	209/00643/11	Motor	
9	223/00014/00	Hose Clamp	
10	223/00316/00	Trap	
11	223/00173/10	Pressure Switch Hose Tee	
12	223/00333/00	Pressure Hose	
13	223/00011/00	Hose Clamp	
14	223/00016/00	Hose Barb	
15	223/00210/00	Pressure Switch Elbow	
16	209/00643/00	Drain Valve	
17	223/00190/00	Drain Valve Hose	
18	206/00101/00	Nut	
19	101/00007/00	Outlet Pipe Plate Assembly	
20	201/00007/00	Washer	
21	206/00033/00	Bolt	
22	223/00146/00	Drain Piece	

Drain Plumbing - Models Starting 8/12/10 with 2 Inch Drain Valve

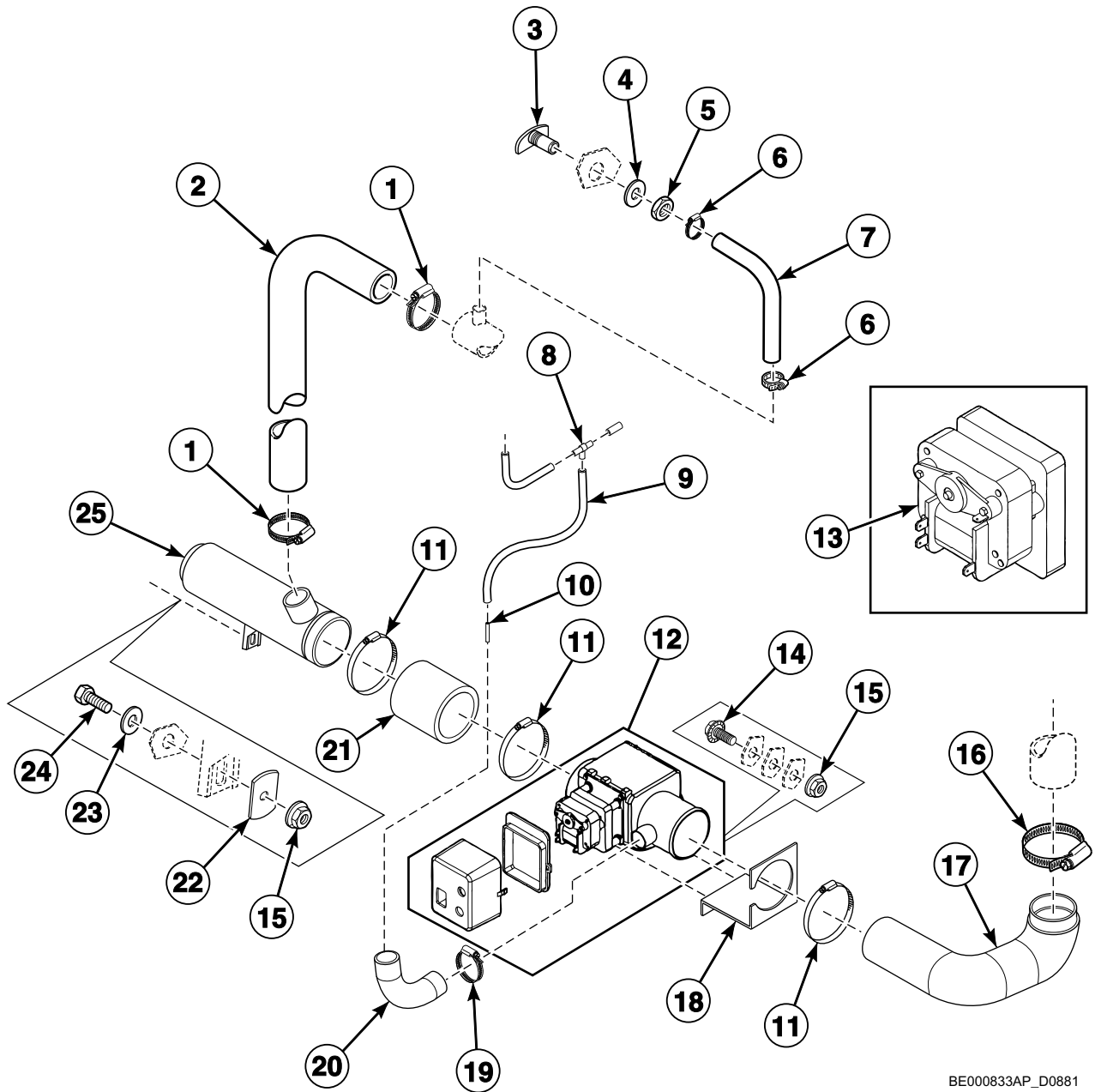


BE000720P_D0881

Drain Plumbing - Models Starting 8/12/10 with 2 Inch Drain Valve

REF	PART NO.	DESCRIPTION	COMMENTS
1	223/00013/00	Hose Clamp	
2	223/00150/00	Overflow Hose	
3	223/00001/04	Prewash and Mainwash Nozzle	
4	201/00002/00	Washer	
5	204/00201/00	Nut	
6	223/00010/00	Hose Clamp	
7	223/00044/00	Water Hose	
8	223/00014/00	Hose Clamp	
9	255/00010/00	Tub to Drain Valve Hose	
10	223/00173/10	Pressure Switch Hose Tee	
11	223/00333/00	Pressure Hose	
12	223/00011/00	Hose Clamp	
13	223/00035/02	Pressure Switch Cap	
14	223/00225/00	Drain Valve Cover	
15	209/00463/00	Drain Valve	
16	223/00190/00	Drain Valve Hose	
17	206/00101/00	Nut	
18	101/00007/00	Outlet Pipe Plate Assembly	
19	201/00007/00	Washer	
20	206/00033/00	Bolt	
21	223/00146/00	Drain Piece	

Drain Plumbing - *18, *74 and *75 Models with 3 Inch Drain Valve

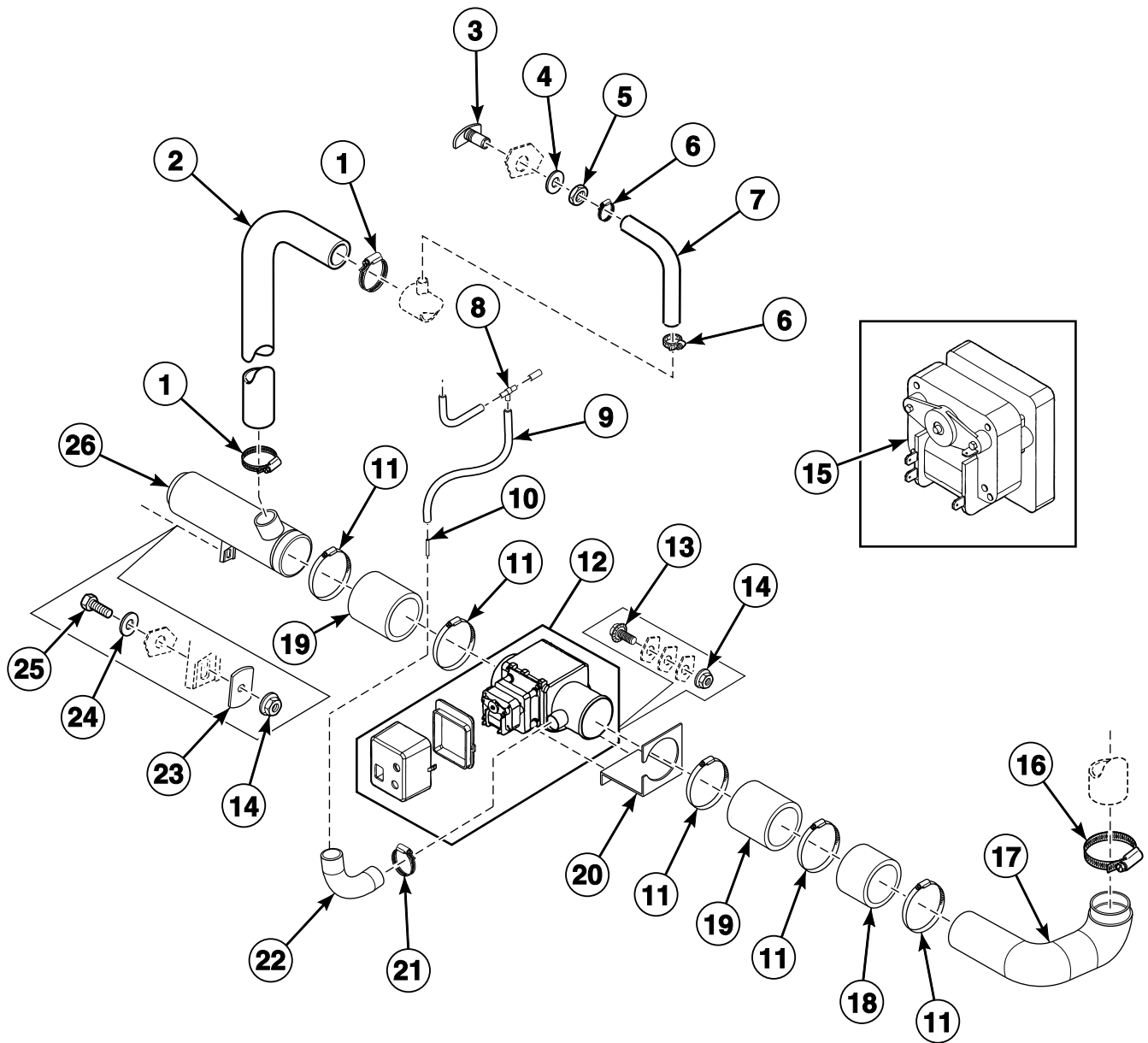


BE000833AP_D0881

Drain Plumbing - *18, *74 and *75 Models with 3 Inch Drain Valve

REF	PART NO.	DESCRIPTION	COMMENTS
1	223/00013/00	Hose Clamp	
2	223/00150/00	Overflow Hose	
3	223/00001/04	Prewash and Mainwash Nozzle	
4	201/00002/00	Washer	
5	204/00201/00	Nut	
6	223/00010/00	Hose Clamp	
7	223/00044/00	Water Hose	
8	223/00173/10	Pressure Switch Hose Tee	
9	223/00333/00	Pressure Hose	
10	223/00016/00	Hose Barb	
11	223/00071/00	Hose Clamp	
12	209/00644/00	Drain Valve	
13	209/00644/11	Motor	
14	206/00099/00	Bolt	
15	206/00101/00	Nut	
16	223/00014/00	Hose Clamp	
17	223/00072/00	Drain Hose	
18	114/00010/00	Drain Valve Plate Assembly	
19	223/00011/00	Hose Clamp	
20	223/00210/00	Pressure Switch Elbow	
21	223/00263/00	Siphon Break Dispenser Hose	
22	101/00007/00	Outlet Pipe Plate Assembly	
23	201/00007/00	Washer	
24	206/00033/00	Bolt	
25	223/00106/00	Drain Pipe	

Drain Plumbing - *25 and *100 Models with 3 Inch Drain Valve

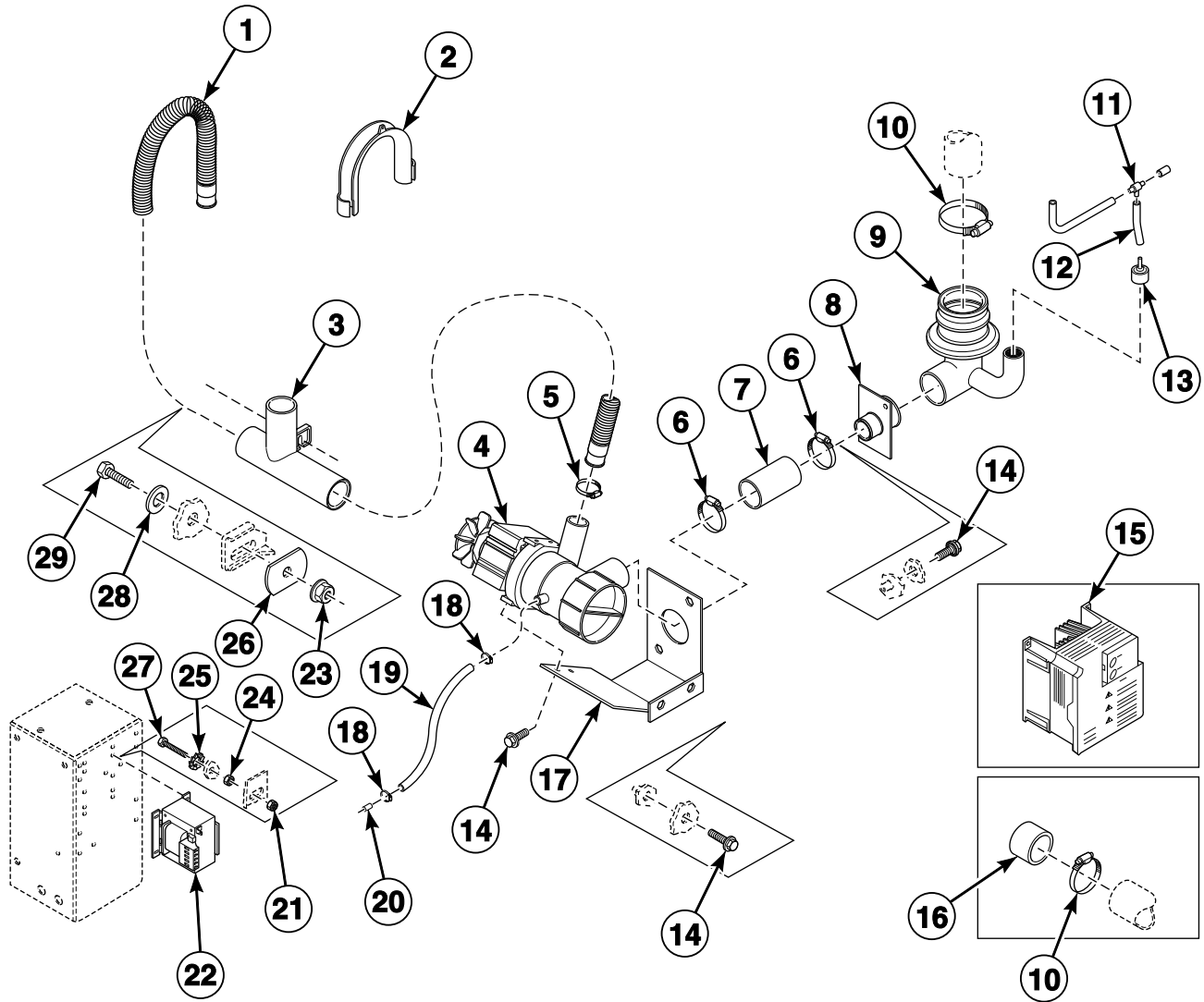


BE000834AP_D0881

Drain Plumbing - *25 and *100 Models with 3 Inch Drain Valve

REF	PART NO.	DESCRIPTION	COMMENTS
1	223/00013/00	Hose Clamp	
2	223/00150/00	Overflow Hose	
3	223/00001/04	Prewash and Mainwash Nozzle	
4	201/00002/00	Washer	
5	204/00201/00	Nut	
6	223/00010/00	Hose Clamp	
7	223/00044/00	Water Hose	
8	223/00173/10	Pressure Switch Hose Tee	
9	223/00333/00	Pressure Hose	
10	223/00016/00	Hose Barb	
11	223/00071/00	Hose Clamp	
12	209/00644/00	Drain Valve	
13	206/00099/00	Bolt	
14	206/00101/00	Nut	
15	209/00644/11	Motor	
16	223/00014/00	Hose Clamp	
17	223/00072/00	Drain Hose	
18	153/00028/00	Tube	
19	223/00263/00	Siphon Break Dispenser Hose	
20	114/00010/00	Drain Valve Plate Assembly	
21	223/00011/00	Hose Clamp	
22	223/00210/00	Pressure Switch Elbow	
23	101/00007/00	Outlet Pipe Plate Assembly	
24	201/00007/00	Washer	
25	206/00033/00	Bolt	
26	223/00106/00	Drain Pipe	

Drain Plumbing - *14 and *65 Models

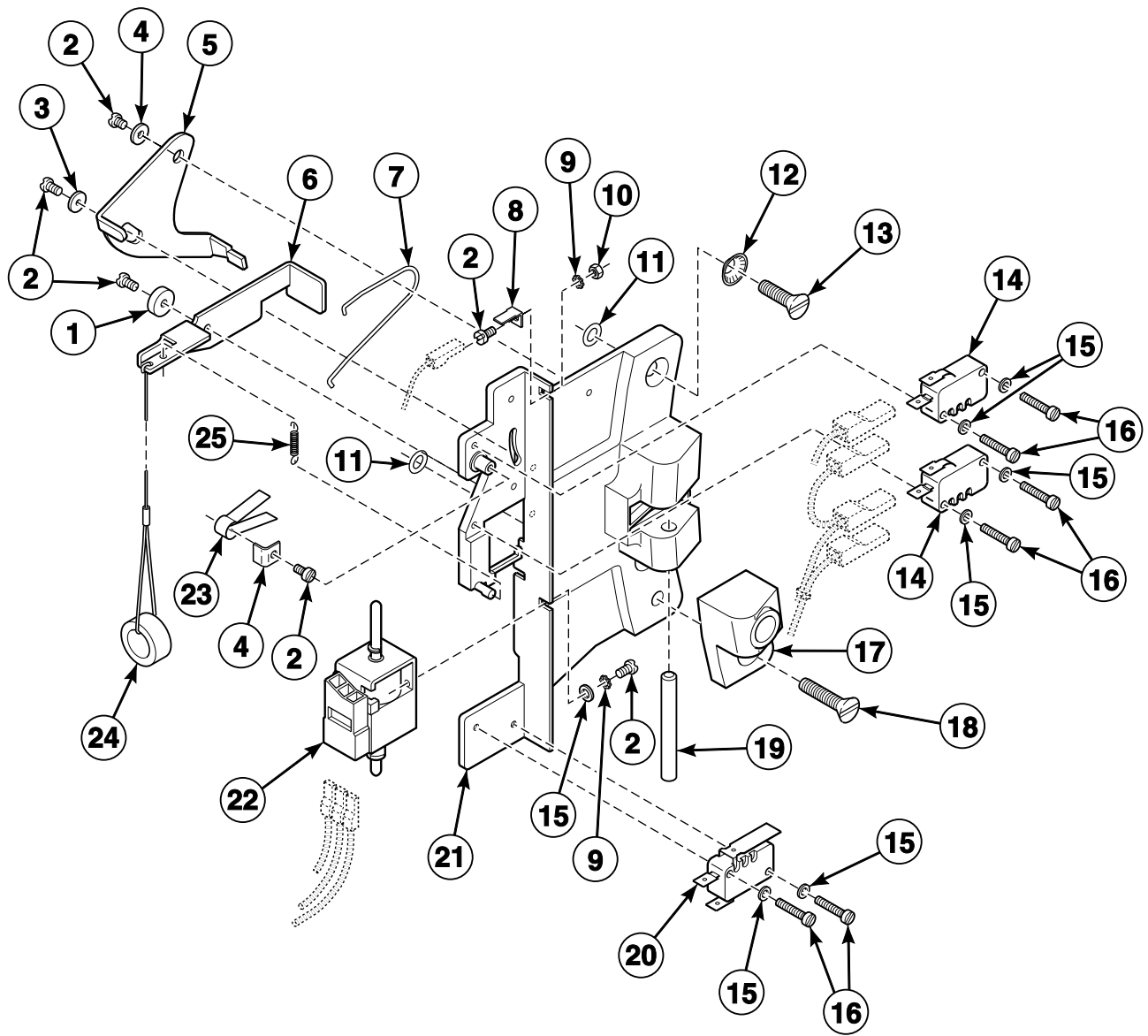


BE000933P_D0881

Drain Plumbing - *14 and *65 Models

REF	PART NO.	DESCRIPTION	COMMENTS
1	223/00157/01	Drain Pipe Kit	
2	223/00157/02	Drain Pipe Kit	
3	223/00146/00	Drain Piece	
4	209/00762/00	Exhaust Pump	
5	223/00011/00	Hose Clamp	
6	223/00012/00	Hose Clamp	
7	255/00017/00	Connecting Piece	
8	155/00155/00	Drain Piece	
9	255/00010/00	Tube to Drain Valve Hose	
10	223/00014/00	Hose Clamp	
11	223/00173/10	Pressure Switch Hose Tee	
12	223/00333/00	Pressure Hose	
13	223/00035/02	Pressure Switch Cap	
14	206/00105/00	Nut	
15	227/00234/00	Frequency Inverter	
16	223/00294/00	Drain Pipe Cap	
17	111/00298/00	Exhaust Pump Support	
18	223/00009/00	Clamp	
19	223/00159/00	Pipe	
20	223/00162/00	Stopper	
21	204/00114/00	Nut	
22	209/00761/00	Transformer	
23	206/00101/00	Nut	
24	204/00007/00	Nut	
25	203/00006/00	Washer	
26	101/00007/00	Outlet Pipe Plate Assembly	
27	206/00088/00	Bolt	
28	201/00007/00	Washer	
29	206/00033/00	Bolt	

Door Lock

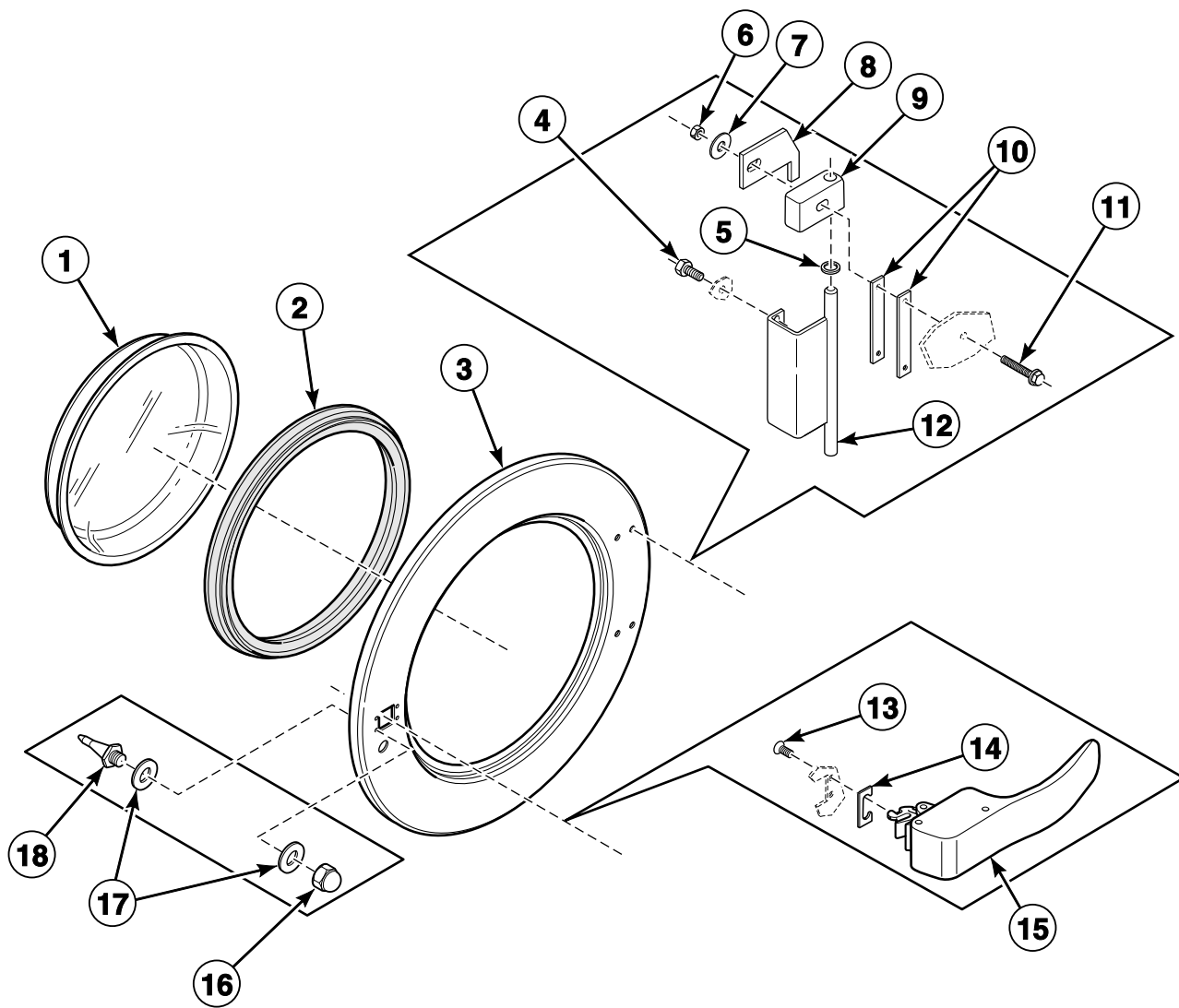


BE000059BP_D0881

Door Lock

REF	PART NO.	DESCRIPTION	COMMENTS
1	217/00052/03	Door Lock Spacer	
2	207/00135/00	Screw	
3	202/00124/00	Washer	
4	201/00017/00	Washer	
5	217/00052/05	Switch Lever	
6	217/00052/04	Interlock Lever	
7	224/00040/00	Lever Spring	
8	210/10015/00	Ground Terminal	
9	203/00007/00	Washer	
10	204/00008/00	Nut	
11	217/00021/00	O-Ring	
12	203/00010/00	Washer	
13	207/00103/00	Screw	
14	209/00272/00	Door Lock Microswitch	
15	201/00018/00	Washer	
16	207/00009/00	Screw	
17	217/00052/11	Door Lock Bracket	
18	207/00102/00	Screw	
19	217/00017/03	Lock Shaft	
20	209/00273/00	Light Microswitch	
21	217/00052/01A	Door Lock Assembly	
22	B12495102	Door Solenoid Assembly	
23	224/00049/00	Door Lock Spring	
24	217/00052/07	Door Release Wire	
25	224/00043/00	Interlock Coil Spring	

Door

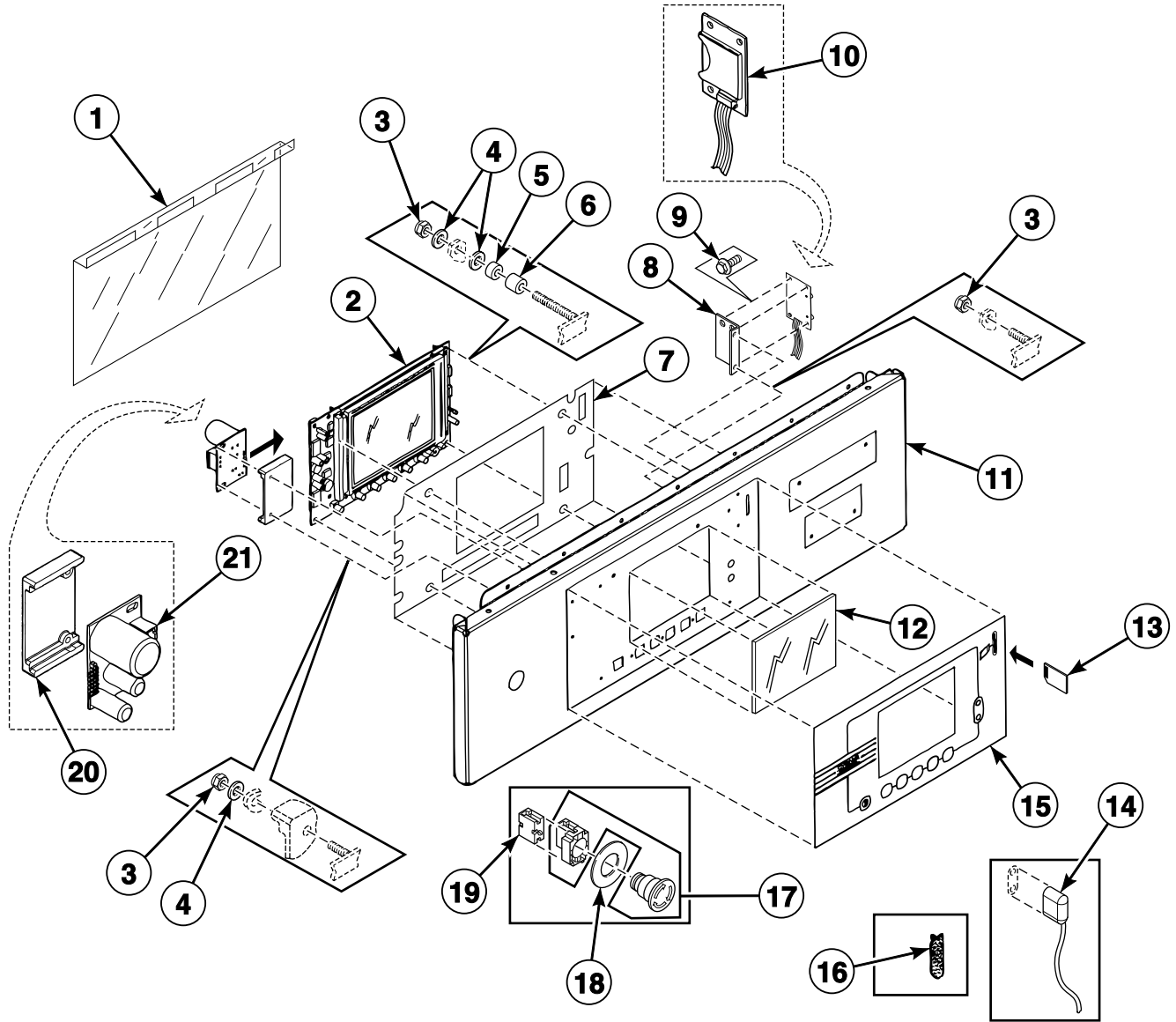


CFD526P_D0881

Door

REF	PART NO.	DESCRIPTION	COMMENTS
1	B12449701	Door Glass	
2	217/00015/00	Door Glass Seal	
3	118/00046/10	Door Frame	
4	205/00107/00	Bolt	
5	202/00104/00	Washer	
6	204/00106/00	Nut	
7	202/00108/00	Washer	
8	118/00128/00	Hinge Plate	
9	217/00009/02	Door Hinge Assembly	
10	117/00010/00	Door Hinge Spacer	
11	207/00126/00	Screw	
12	221/00003/00	Hinge	
13	B12500801	Screw	
14	217/00016/00	Door Handle Stop	
15	217/00059/00	Door Handle	Black; IWF and WF models
	217/00065/00	Door Handle	Gray; CWF and WF models
16	204/00103/00	Nut	
17	202/00111/00	Washer	
18	211/00109/02	Door Lock Pin Kit	

Control Panel - Cygnus Professional

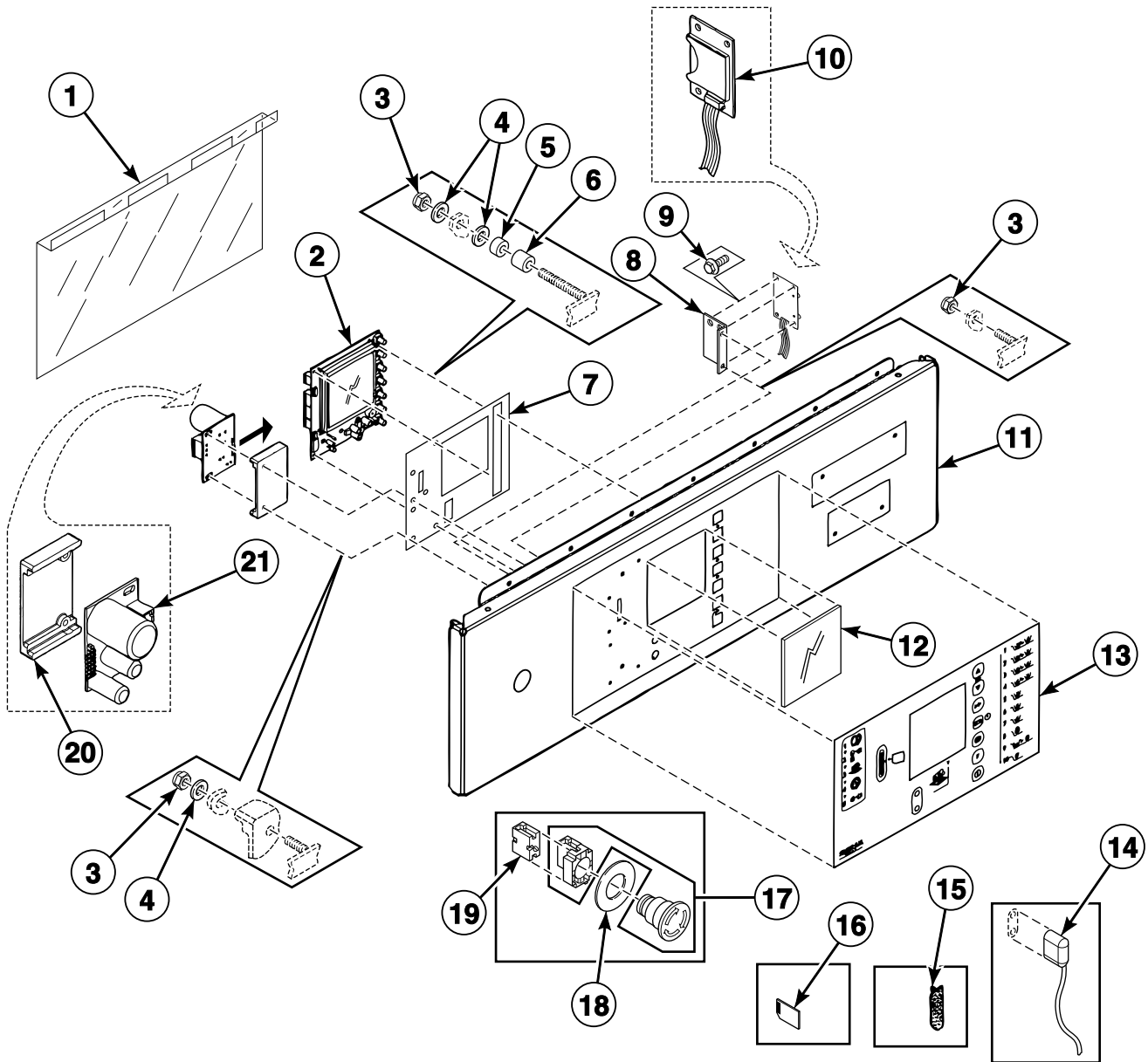


BE000804CP_D0881

Control Panel - Cygnus Professional

REF	PART NO.	DESCRIPTION	COMMENTS
1	229/00289/00	Circuit Board Cover	
2	209/02002/00	Display PC-Board	
3	204/00116/00	Nut	
4	223/00123/00	Washer	
5	211/00128/00	Printboard Separator	
6	211/00122/00	Standoff	
7	229/00268/00	Insulating Sticker	
8	111/01893/00	Printboard Support Card	
9	211/00145/00	Standoff	
10	B12305201	Memory Card PC-Board	Models prior to 4/5/11 require a firmware upgrade
	B12538301	Data Card Ribbon Assembly	
11	111/01845/00	Upper Front Panel	
12	225/00321/00	Plexi Frame	
13	209/02022/00	Datacard	
14	210/00901/00	Optic Cable	
15	225/10313/00	Operating Sticker	Without datacard opening
	225/10426/00	Operating Sticker	With datacard opening
16	223/00348/00	Datacard Cover	
17	209/00099/20	Emergency Switch Pushbutton	
18	209/00520/00	Telem Sticker	
19	209/00099/26	Contact Switch	
20	223/00374/00	Mounting Plate	
21	209/02010/00	Door Lock PC-Board	

Control Panel - Cygnus Premium OPL

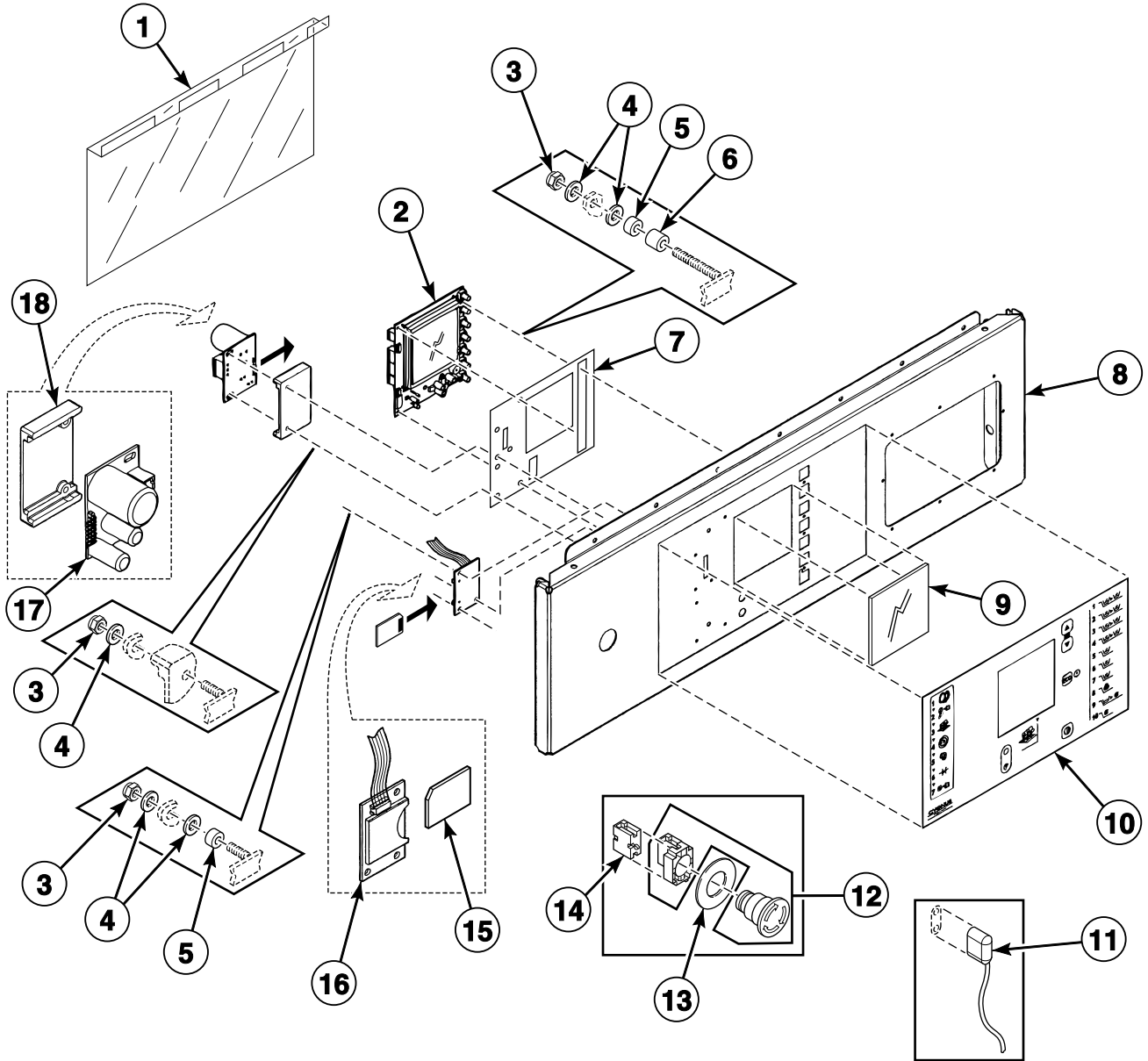


BE000871AP_D0881

Control Panel - Cygnus Premium OPL

REF	PART NO.	DESCRIPTION	COMMENTS
1	229/00289/00	Circuit Board Cover	
2	209/02015/02	Printboard	
3	204/00116/00	Nut	
4	223/00123/00	Washer	
5	211/00128/00	Printboard Separator	
6	211/00122/00	Standoff	
7	229/00291/00	Insulating Sticker	
8	111/01893/00	Printboard Support Card	
9	211/00145/00	Standoff	
10	B12305201	Memory Card PC-Board	Models prior to 4/5/11 require a firmware upgrade
	B12538301	Data Card Ribbon Assembly	
11	111/01900/00	Operating Panel	
12	225/00323/00	Plexi Frame	
13	225/10404/00	Operating Sticker	With datacard opening
	225/10427/00	Operating Sticker	Without datacard opening
14	210/00901/00	Optic Cable	
15	223/00348/00	Datacard Cover	
16	209/02022/00	Datacard	
17	209/00099/20	Emergency Switch Pushbutton	
18	209/00520/00	Telem Sticker	
19	209/00099/26	Contact Switch	
20	223/00374/00	Mounting Plate	
21	209/02010/00	Door Lock PC-Board	

Control Panel - Cygnus Premium OPL with Frontal Supply Dispenser

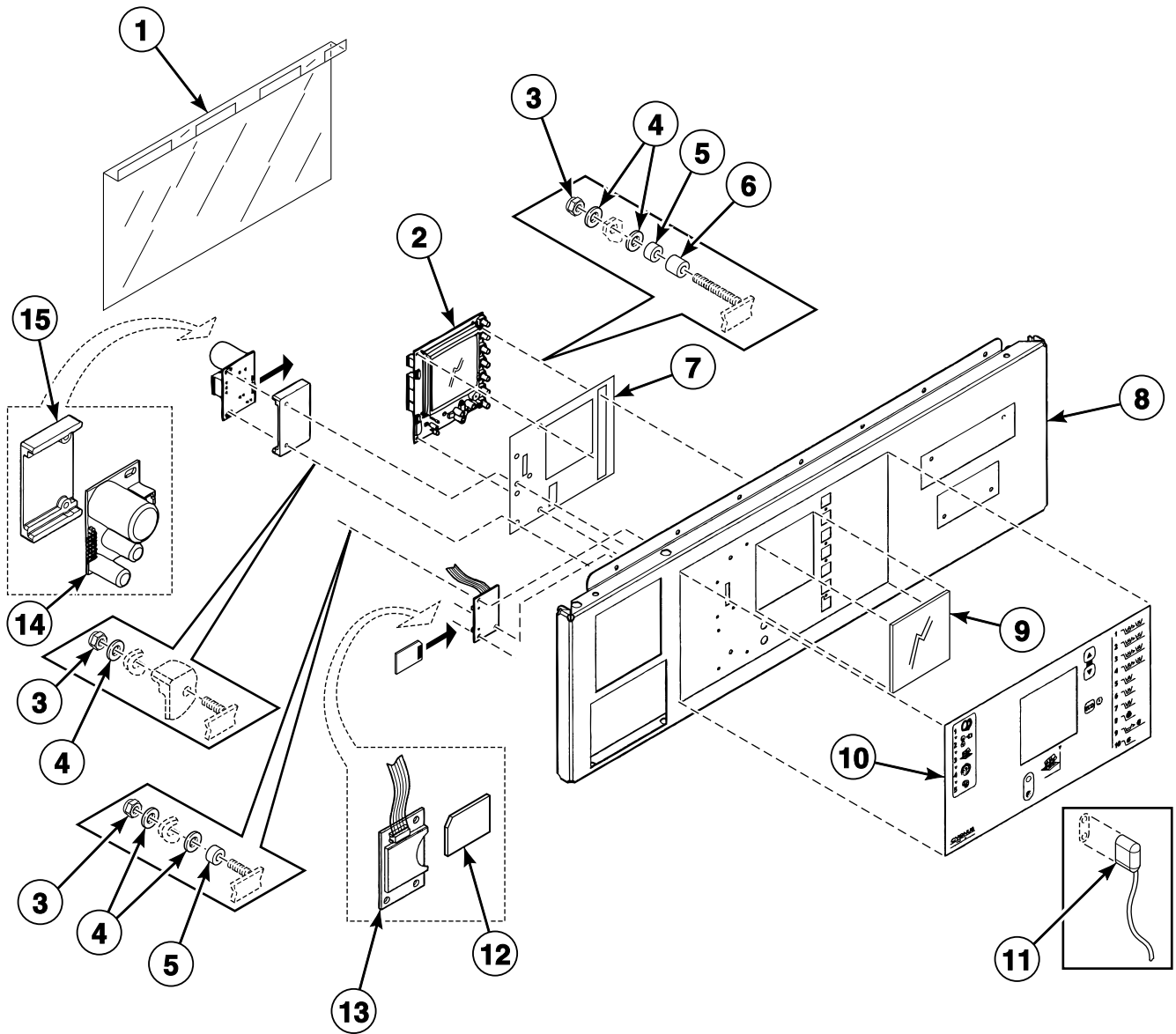


BE000870AP_D0881

Control Panel - Cygnus Premium OPL with Frontal Supply Dispenser

REF	PART NO.	DESCRIPTION	COMMENTS
1	229/00289/00	Circuit Board Cover	
2	209/02015/02	Printboard	
3	204/00116/00	Nut	
4	223/00123/00	Washer	
5	211/00128/00	Printboard Separator	
6	211/00122/00	Standoff	
7	229/00291/00	Insulating Sticker	
8	111/01904/00	Operating Panel	
9	225/00323/00	Plexi Frame	
10	225/10404/00	Operating Sticker	With datacard opening
	225/10427/00	Operating Sticker	Without datacard opening
11	210/00901/00	Optic Cable	
12	209/00099/20	Emergency Switch Pushbutton	
13	209/00520/00	Telem Sticker	
14	209/00099/26	Contact Switch	
15	209/02022/00	Datacard	
16	B12305201	Memory Card PC-Board	Models prior to 4/5/11 require a firmware upgrade
	B12538301	Data Card Ribbon Assembly	
17	209/02010/00	Door Lock PC-Board	
18	223/00374/00	Mounting Plate	

Control Panel - Cygnus Premium Coin

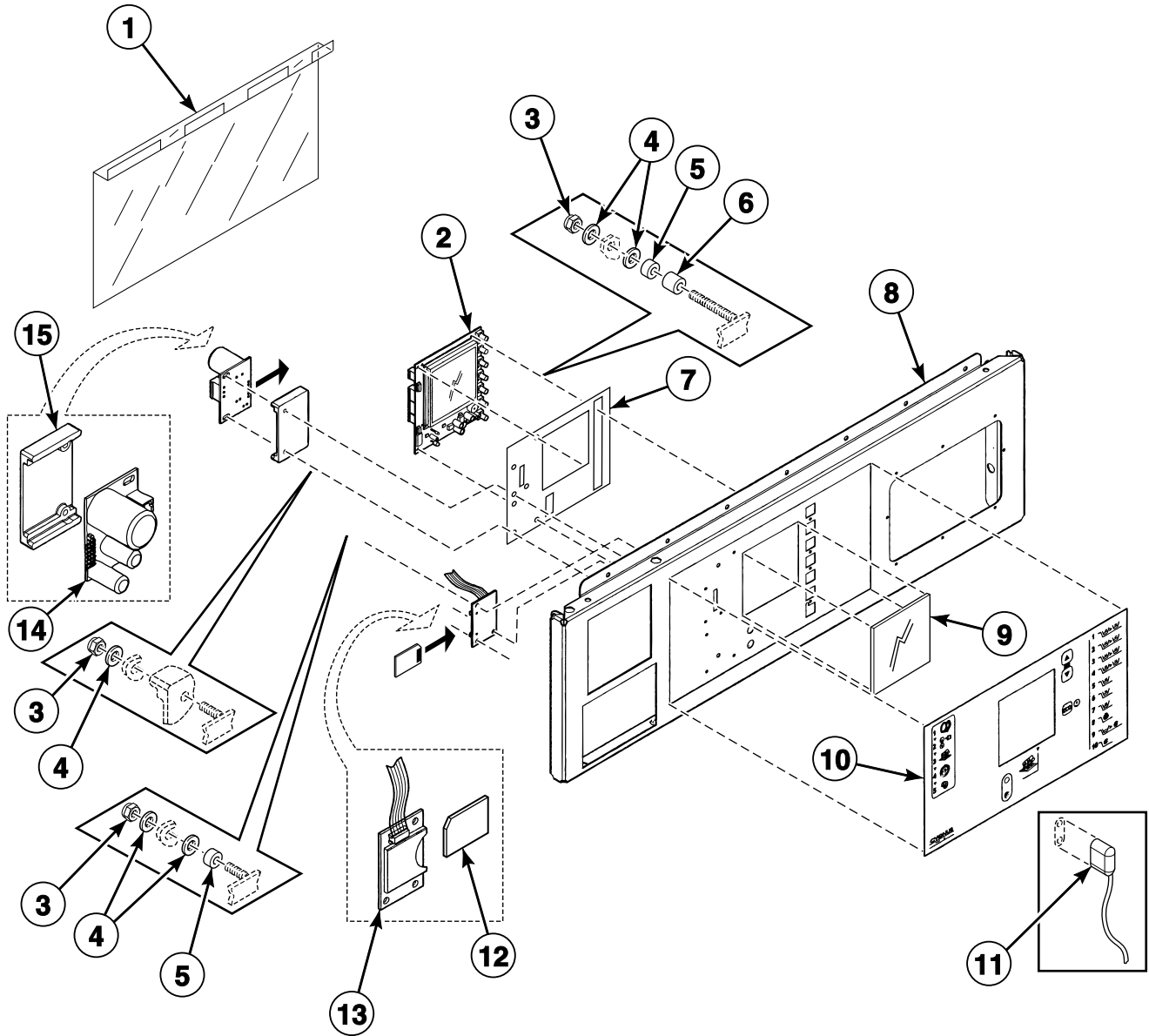


BE000872AP_D0881

Control Panel - Cygnus Premium Coin

REF	PART NO.	DESCRIPTION	COMMENTS
1	229/00289/00	Circuit Board Cover	
2	209/02015/02	Printboard	
3	204/00116/00	Nut	
4	223/00123/00	Washer	
5	211/00128/00	Printboard Separator	
6	211/00122/00	Standoff	
7	229/00291/00	Insulating Sticker	
8	111/01901/00	Operating Panel	
9	225/00323/00	Plexi Frame	
10	225/10403/00	Operating Sticker	
11	210/00901/00	Optic Cable	
12	209/02022/00	Datacard	
13	B12305201	Memory Card PC-Board	Models prior to 4/5/11 require a firmware upgrade
	B12538301	Data Card Ribbon Assembly	
14	209/02010/00	Door Lock PC-Board	
15	223/00374/00	Mounting Plate	

Control Panel - Cygnus Premium Coin with Frontal Supply Dispenser

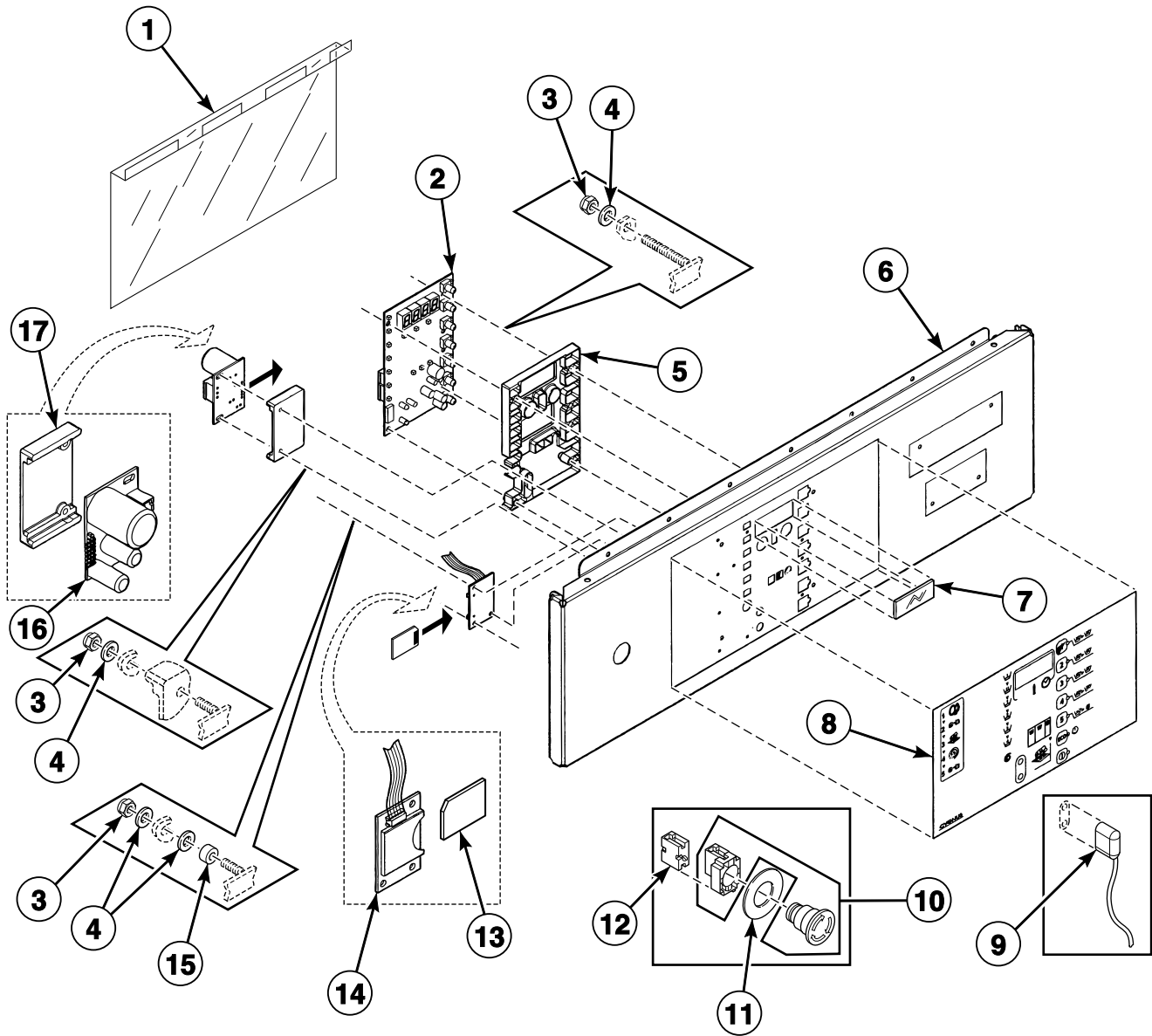


BE000873AP_D0881

Control Panel - Cygnus Premium Coin with Frontal Supply Dispenser

REF	PART NO.	DESCRIPTION	COMMENTS
1	229/00289/00	Circuit Board Cover	
2	209/02015/02	Printboard	
3	204/00116/00	Nut	
4	223/00123/00	Washer	
5	211/00128/00	Printboard Separator	
6	211/00122/00	Standoff	
7	229/00291/00	Insulating Sticker	
8	111/01905/00	Operating Panel	
9	225/00323/00	Plexi Frame	
10	225/10403/00	Operating Sticker	
11	210/00901/00	Optic Cable	
12	209/02022/00	Datacard	
13	B12305201	Memory Card PC-Board	Models prior to 4/5/11 require a firmware upgrade
	B12538301	Data Card Ribbon Assembly	
14	209/02010/00	Door Lock PC-Board	
15	223/00374/00	Mounting Plate	

Control Panel - Cygnus Standard/Commercial OPL

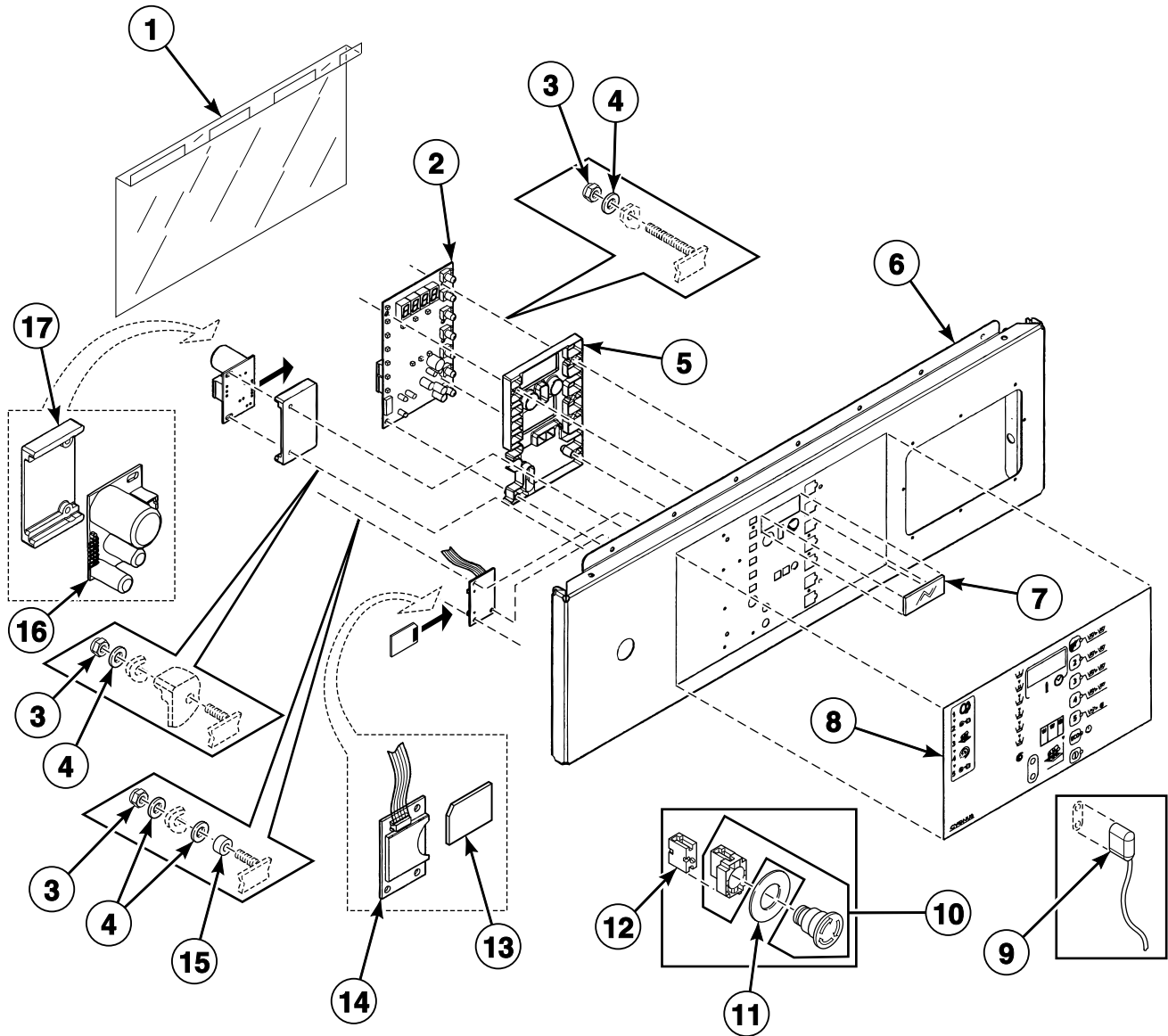


BE000867AP_D0881

Control Panel - Cygnus Standard/Commercial OPL

REF	PART NO.	DESCRIPTION	COMMENTS
1	229/00289/00	Circuit Board Cover	
2	209/02001/02	Printboard	
3	204/00116/00	Nut	
4	223/00123/00	Washer	
5	223/00330/00	Protection LED	
6	111/01817/00	Operating Panel	
7	225/00322/00	Plexi Frame	
8	225/10307/00	Operating Sticker	Models WF65_CYGNUS-STANDARD_OPL, WF75_CYGNUS-STANDARD_OPL and WF100_CYGNUS-STANDARD_OPL
	225/10308/00	Operating Sticker	Models WF65_CYGNUS-COMM_OPL, WF75_CYGNUS-COMM_OPL and WF100_CYGNUS-COMM_OPL
9	210/00901/00	Optic Cable	
10	209/00248/20	Mushroom Pushbutton	
11	209/00520/00	Telem Sticker	
12	209/00099/26	Contact Switch	
13	209/02022/00	Datacard	
14	B12305201	Memory Card PC-Board	Models prior to 4/5/11 require a firmware update
	B12538301	Data Card Ribbon Assembly	
15	211/00128/00	Printboard Separator	
16	209/02010/00	Door Lock PC-Board	
17	223/00374/00	Mounting Plate	

Control Panel - Cygnus Standard/Commercial OPL with Frontal Supply Dispenser

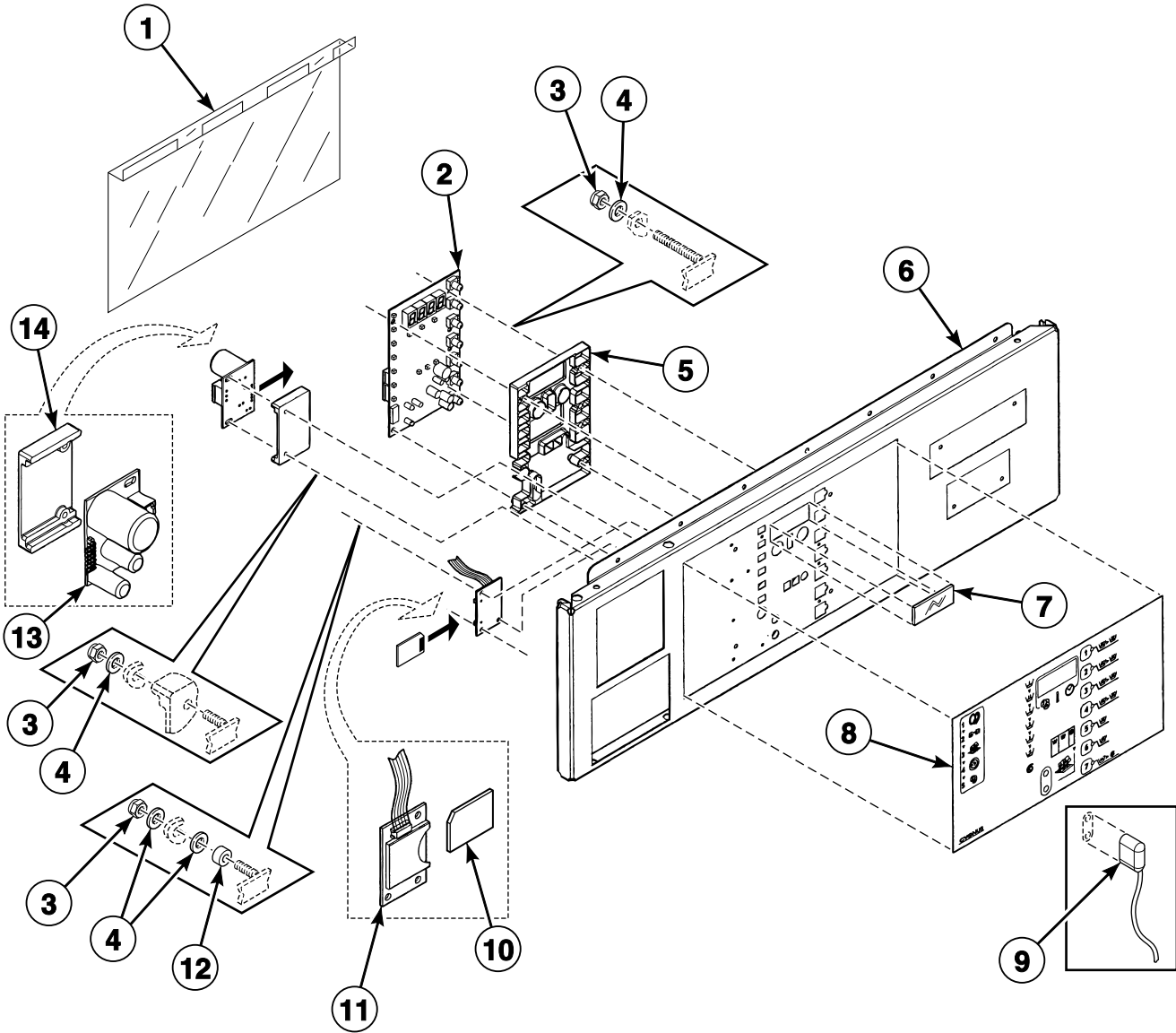


BE000868AP_D0881

Control Panel - Cygnus Standard/Commercial OPL with Frontal Supply Dispenser

REF	PART NO.	DESCRIPTION	COMMENTS
1	229/00289/00	Circuit Board Cover	
2	209/02001/02	Printboard	
3	204/00116/00	Nut	
4	223/00123/00	Washer	
5	223/00330/00	Protection LED	
6	111/01827/00	Operating Panel	
7	225/00322/00	Plexi Frame	
8	225/10307/00	Operating Sticker	Models WF65_CYGNUS-STANDARD_OPL, WF75_CYGNUS-STANDARD_OPL and WF100_CYGNUS-STANDARD_OPL
	225/10308/00	Operating Sticker	Models WF65_CYGNUS-COMM_OPL, WF75_CYGNUS-COMM_OPL and WF100_CYGNUS-COMM_OPL
9	210/00901/00	Optic Cable	
10	209/00248/20	Mushroom Pushbutton	
11	209/00520/00	Telem Sticker	
12	209/00099/26	Contact Switch	
13	209/02022/00	Datacard	
14	B12305201	Memory Card PC-Board	Models prior to 4/5/11 require a firmware upgrade
	B12538301	Data Card Ribbon Assembly	
15	211/00128/00	Printboard Separator	
16	209/02010/00	Door Lock PC-Board	
17	223/00374/00	Mounting Plate	

Control Panel - Cygnus Standard/Commercial Coin

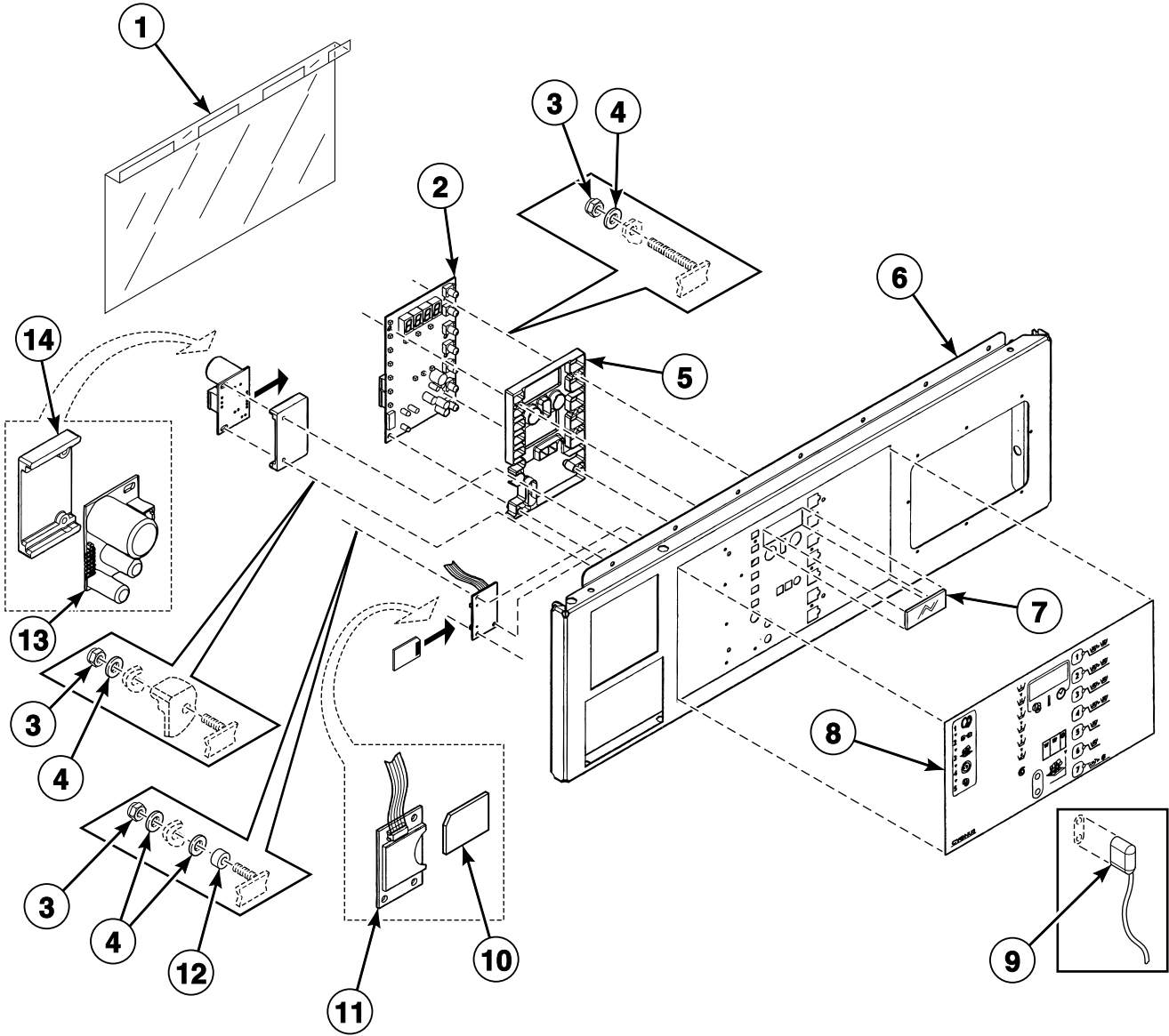


BE000874AP_D0881

Control Panel - Cygnus Standard/Commercial Coin

REF	PART NO.	DESCRIPTION	COMMENTS
1	229/00289/00	Circuit Board Cover	
2	209/02001/02	Printboard	
3	204/00116/00	Nut	
4	223/00123/00	Washer	
5	223/00330/00	Protection LED	
6	111/01818/00	Operating Panel	
7	225/00322/00	Plexi Frame	
8	225/10305/00	Operating Sticker	Models WF65_CYGNUS-STANDARD_COIN, WF75_CYGNUS-STANDARD_COIN and WF100_CYGNUS-STANDARD_COIN
	225/10306/00	Operating Sticker	Models WF65_CYGNUS-COMM_COIN, WF75_CYGNUS-COMM_COIN and WF100_CYGNUS-COMM_COIN
9	210/00901/00	Optic Cable	
10	209/02022/00	Datacard	
11	B12305201	Memory Card PC-Board	Models prior to 4/5/11 require a firmware upgrade
	B12538301	Data Card Ribbon Assembly	
12	211/00128/00	Printboard Separator	
13	209/02010/00	Door Lock PC-Board	
14	223/00374/00	Mounting Plate	

Control Panel - Cygnus Standard/Commercial Coin with Frontal Supply Dispenser

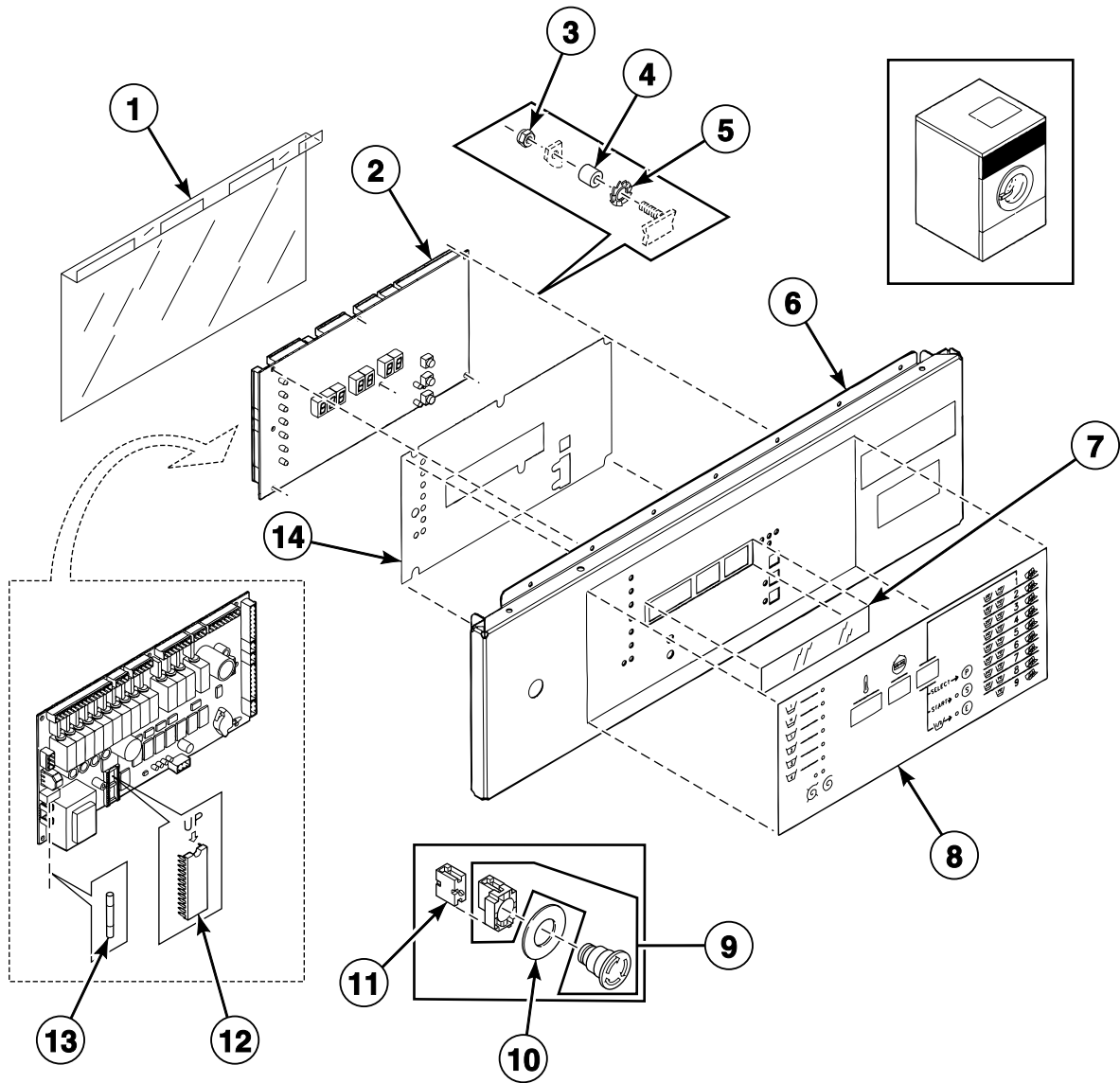


BE000869AP_D0881

Control Panel - Cygnus Standard/Commercial Coin with Frontal Supply Dispenser

REF	PART NO.	DESCRIPTION	COMMENTS
1	229/00289/00	Circuit Board Cover	
2	209/02001/02	Printboard	
3	204/00116/00	Nut	
4	223/00123/00	Washer	
5	223/00330/00	Protection LED	
6	111/01826/00	Operating Panel	
7	225/00322/00	Plexi Frame	
8	225/10305/00	Operating Sticker	Models WF65_CYGNUS-STANDARD_COIN, WF75_CYGNUS-STANDARD_COIN and WF100_CYGNUS-STANDARD_COIN
	225/10306/00	Operating Sticker	Models WF65_CYGNUS-COMM_COIN, WF75_CYGNUS-COMM_COIN and WF100_CYGNUS-COMM_COIN
9	210/00901/00	Optic Cable	
10	209/02022/00	Datacard	
11	B12305201	Memory Card PC-Board	Models prior to 4/5/11 require a firmware upgrade
	B12538301	Data Card Ribbon Assembly	
12	211/00128/00	Printboard Separator	
13	209/02010/00	Door Lock PC-Board	
14	223/00374/00	Mounting Plate	

Control Panel - Micro-20 OPL

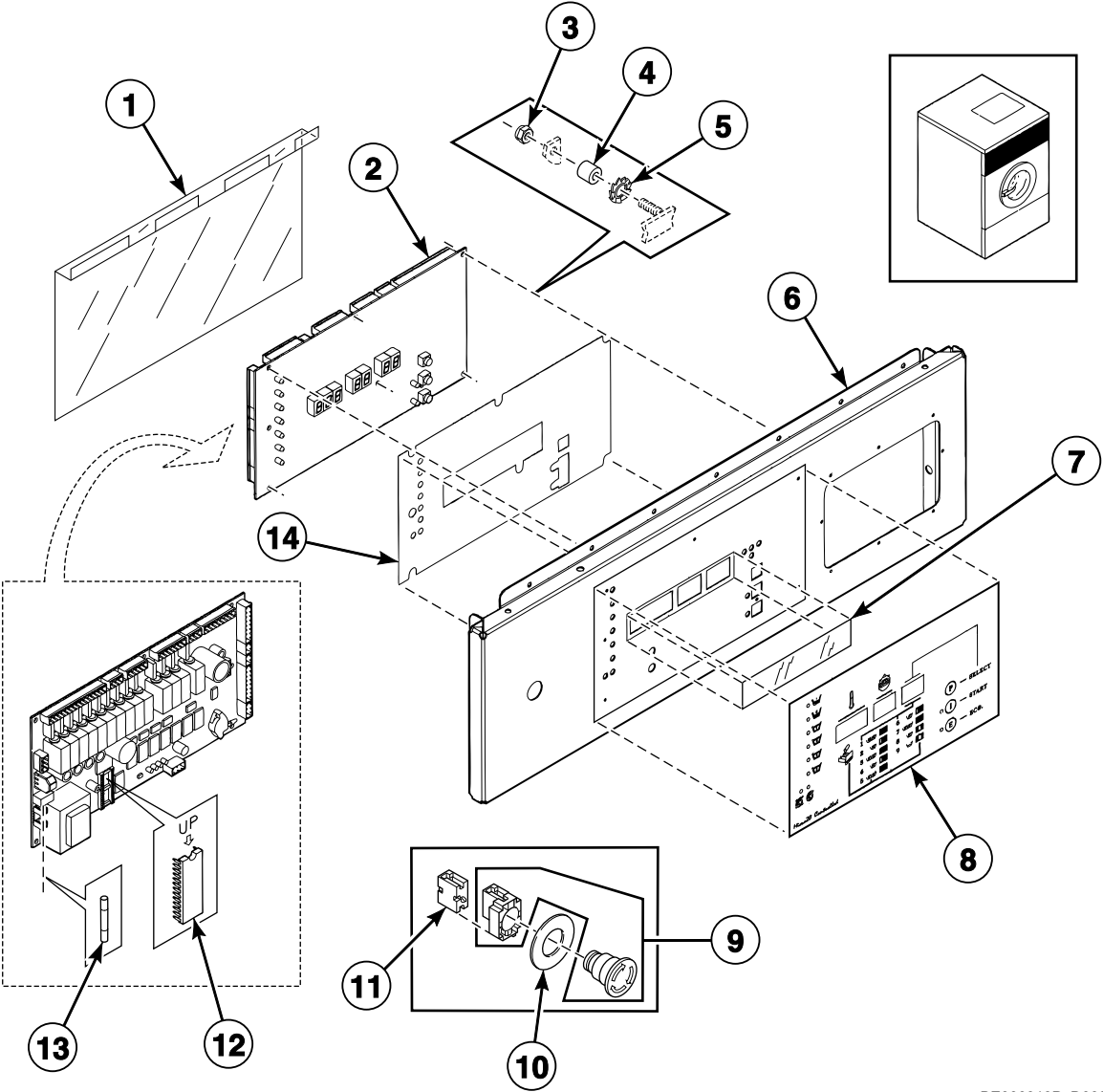


BE000620P_D0881

Control Panel - Micro-20 OPL

REF	PART NO.	DESCRIPTION	COMMENTS
1	229/00289/00	Circuit Board Cover	
2	209/00440/70	Printboard	220 Volt
	209/00440/80	Printboard	115 Volt
3	204/00116/00	Nut	
4	211/00122/00	Standoff	
5	203/00006/00	Washer	
6	111/01814/00	Upper Front Panel	
7	225/00316/00	Plexi Frame	
8	225/00407/00	Keypad Sticker	
9	209/00248/20	Mushroom Pushbutton	
10	209/00520/00	Telem Sticker	
11	209/00099/26	Contact Switch	
12	209/00266/01	Eprom	Standard software
13	209/00439/00	Fuse	500 mA
14	229/00255/00	Insulating Sticker	

Control Panel - Micro-20 OPL with Frontal Supply Dispenser

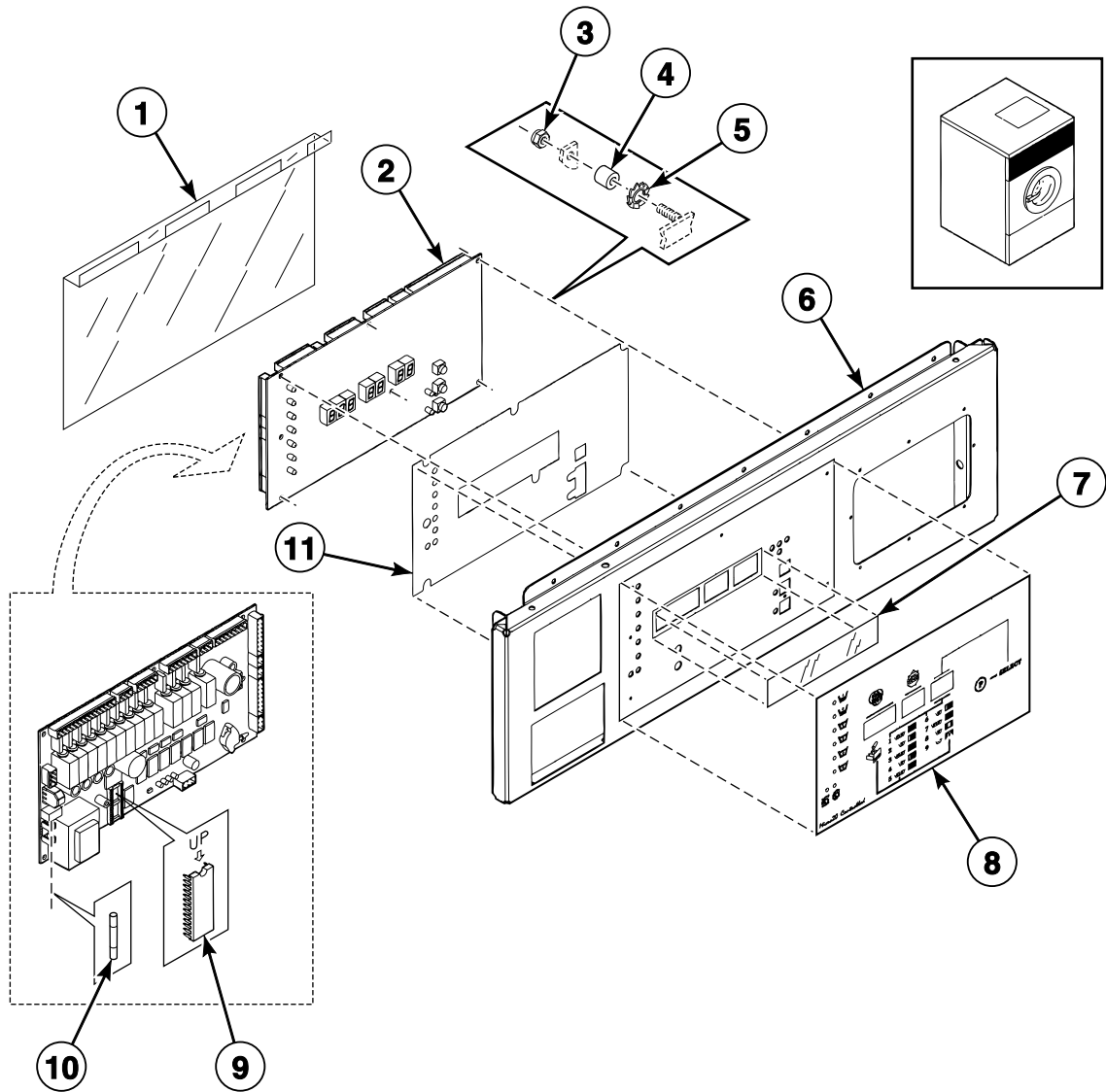


BE000818P_D0881

Control Panel - Micro-20 OPL with Frontal Supply Dispenser

REF	PART NO.	DESCRIPTION	COMMENTS
1	229/00289/00	Circuit Board Cover	
2	209/00440/70	Printboard	220 Volt
	209/00440/80	Printboard	115 Volt
3	204/00116/00	Nut	
4	211/00122/00	Standoff	
5	203/00006/00	Washer	
6	111/01813/00	Upper Front Panel	
7	225/00316/00	Plexi Frame	
8	225/00409/00	Operating Sticker	
9	209/00248/20	Mushroom Pushbutton	
10	209/00520/00	Telem Sticker	
11	209/00099/26	Contact Switch	
12	209/00266/01	Eprom	Standard software
13	209/00439/00	Fuse	500 mA
14	229/00255/00	Insulating Sticker	

Control Panel - Micro-20 Coin

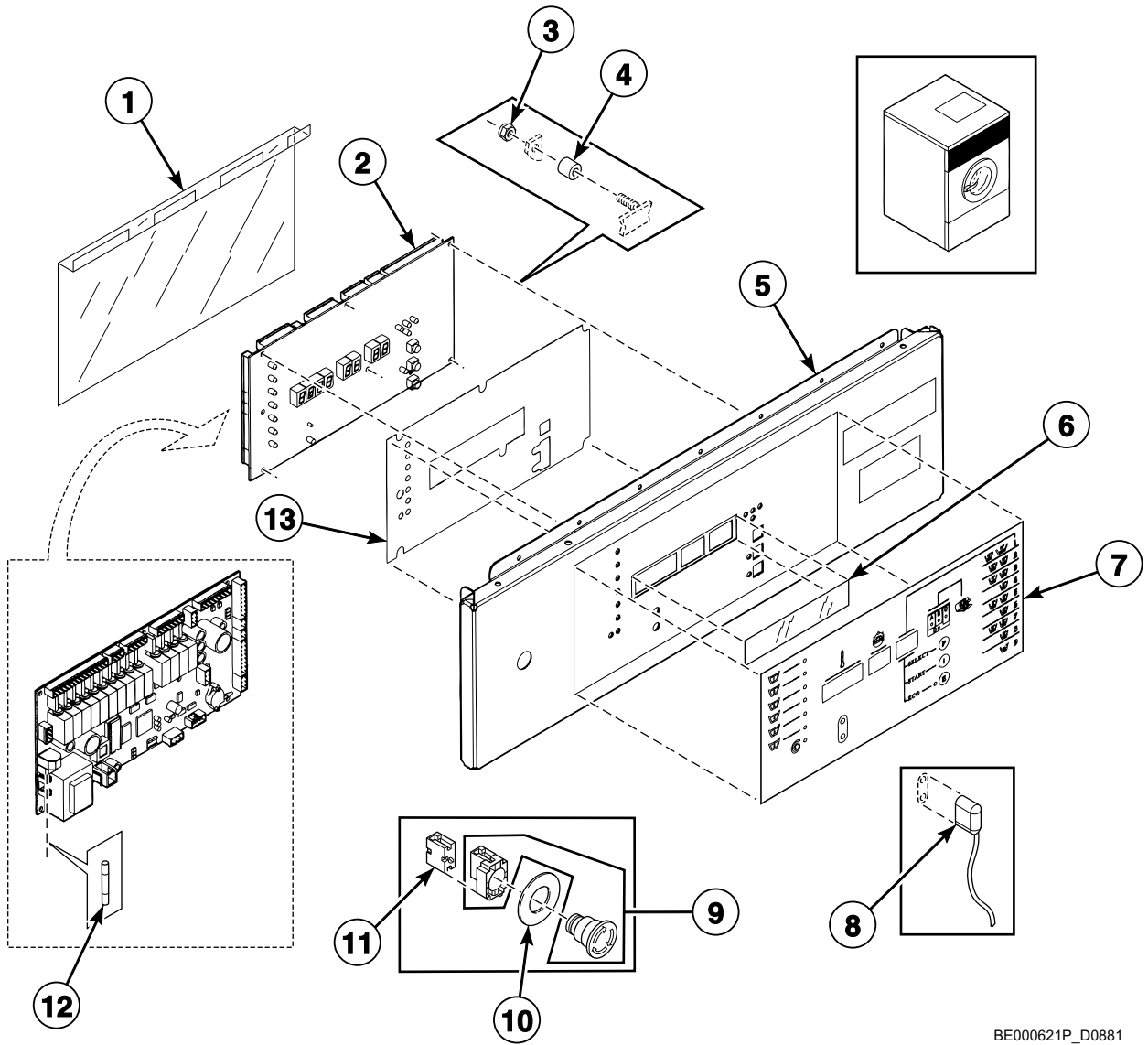


BE000819P_D0881

Control Panel - Micro-20 Coin

REF	PART NO.	DESCRIPTION	COMMENTS
1	229/00289/00	Circuit Board Cover	
2	209/00440/70	Printboard	220 Volt
	209/00440/80	Printboard	115 Volt
3	204/00116/00	Nut	
4	211/00122/00	Standoff	
5	203/00006/00	Washer	
6	111/01823/00	Upper Front Panel	
7	225/00316/00	Plexi Frame	
8	225/00410/00	Operating Sticker	
9	209/00266/01	Eprom	Standard software
10	209/00439/00	Fuse	500 mA
11	229/00255/00	Insulating Sticker	

Control Panel - Sigma OPL

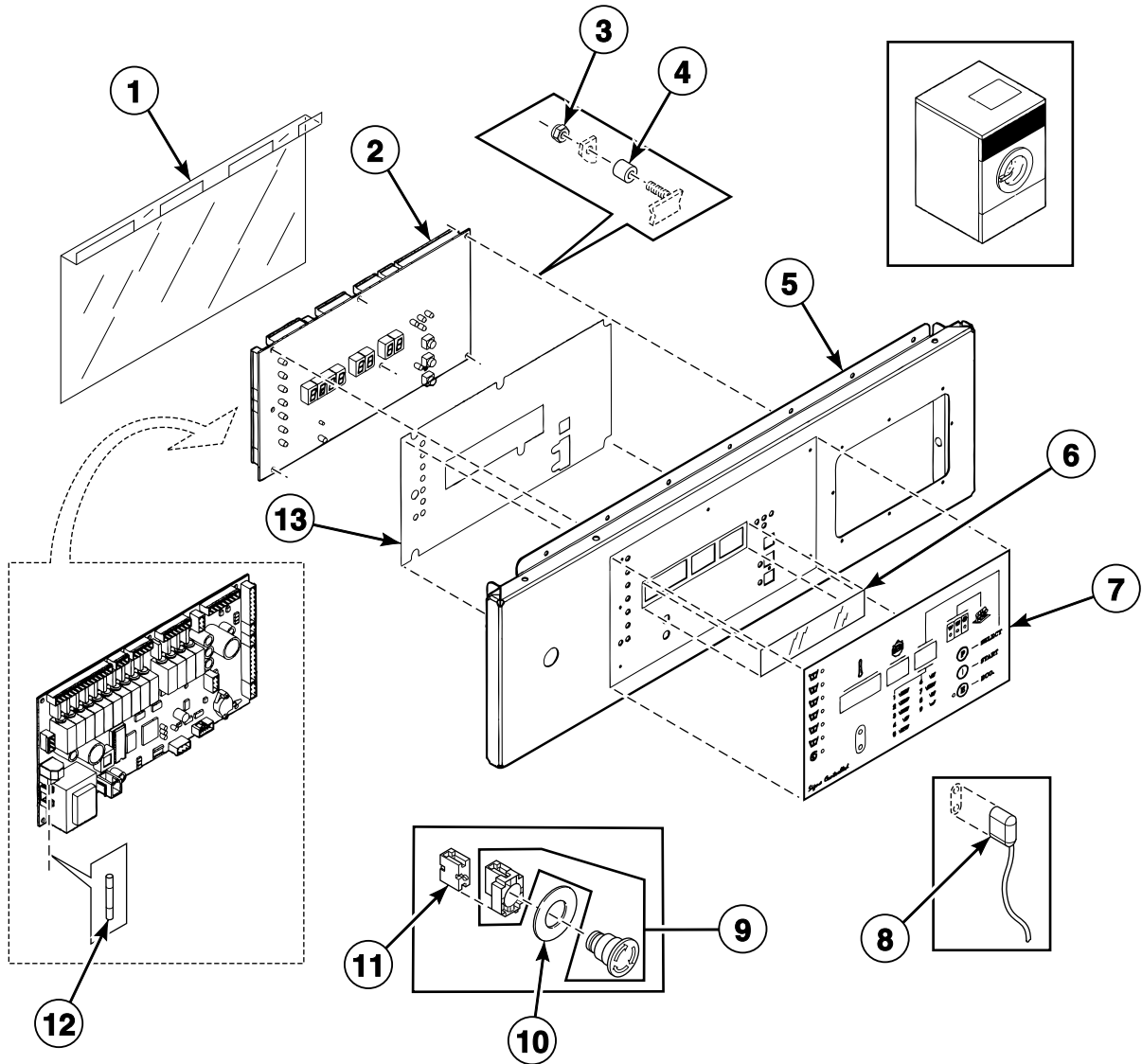


BE000621P_D0881

Control Panel - Sigma OPL

REF	PART NO.	DESCRIPTION	COMMENTS
1	229/00262/00	Circuit Board Cover	
2	209/00547/00	Control Board	
3	204/00116/00	Nut	
4	211/00122/00	Standoff	
5	111/01814/00	Upper Front Panel	
6	225/00316/00	Plexi Frame	
7	225/00404/00	Operating Sticker	
8	210/00902/00	Infrared Cable	
9	209/00248/20	Mushroom Pushbutton	
10	209/00520/00	Telem Sticker	
11	209/00099/26	Contact Switch	
12	209/00439/00	Fuse	500 mA
13	229/00255/00	Insulating Sticker	

Control Panel - Sigma OPL with Frontal Supply Dispenser

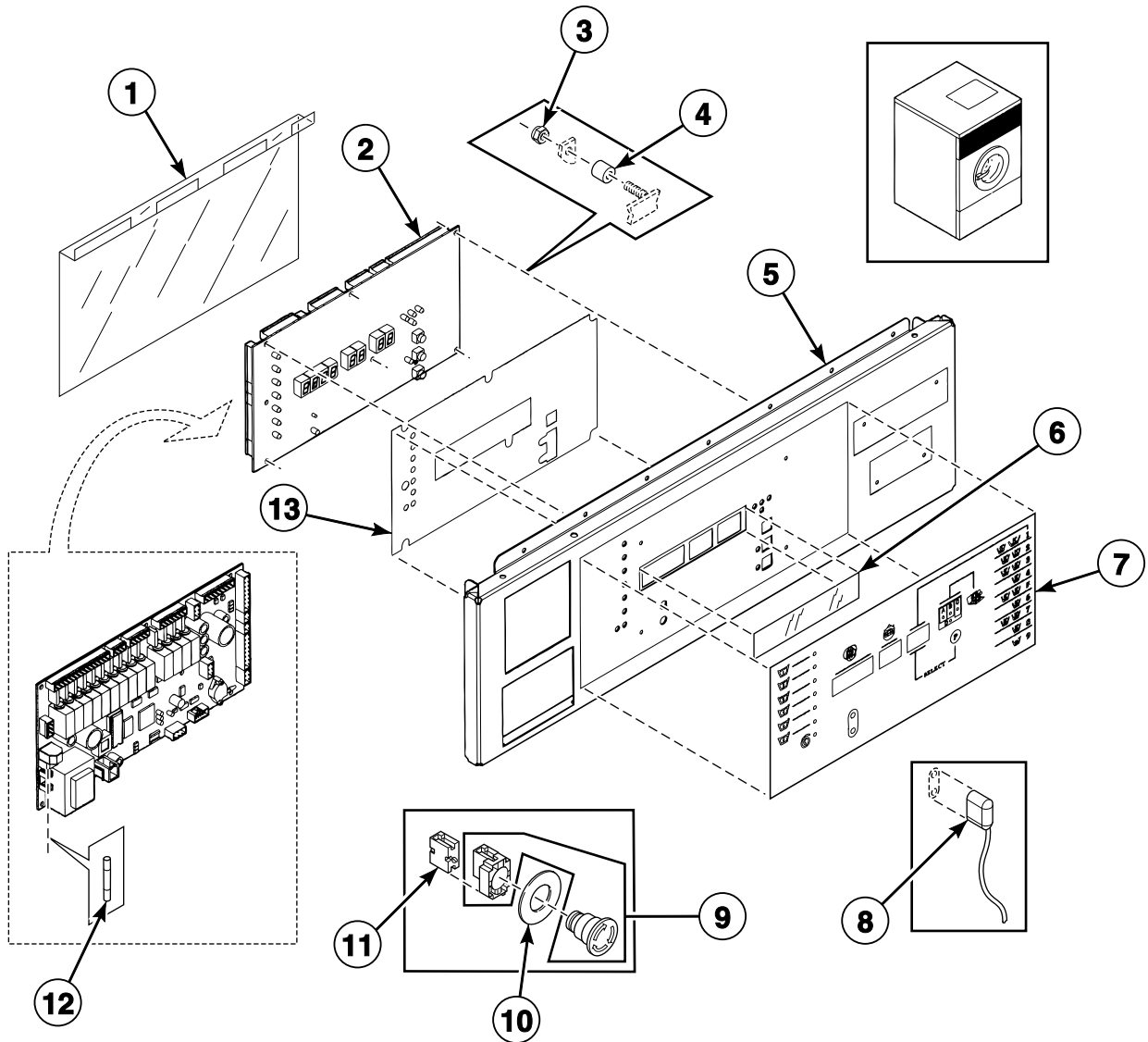


BE000816P_D0881

Control Panel - Sigma OPL with Frontal Supply Dispenser

REF	PART NO.	DESCRIPTION	COMMENTS
1	229/00262/00	Circuit Board Cover	
2	209/00547/00	Control Board	
3	204/00114/00	Nut	
4	211/00122/00	Standoff	
5	111/01813/00	Upper Front Panel	
6	225/00316/00	Plexi Frame	
7	225/10311/00	Operating Sticker	
8	210/00902/00	Infrared Cable	
9	209/00248/20	Mushroom Pushbutton	
10	209/00520/00	Telem Sticker	
11	209/00099/26	Contact Switch	
12	209/00439/00	Fuse	500 mA
13	229/00255/00	Insulating Sticker	

Control Panel - Sigma Coin

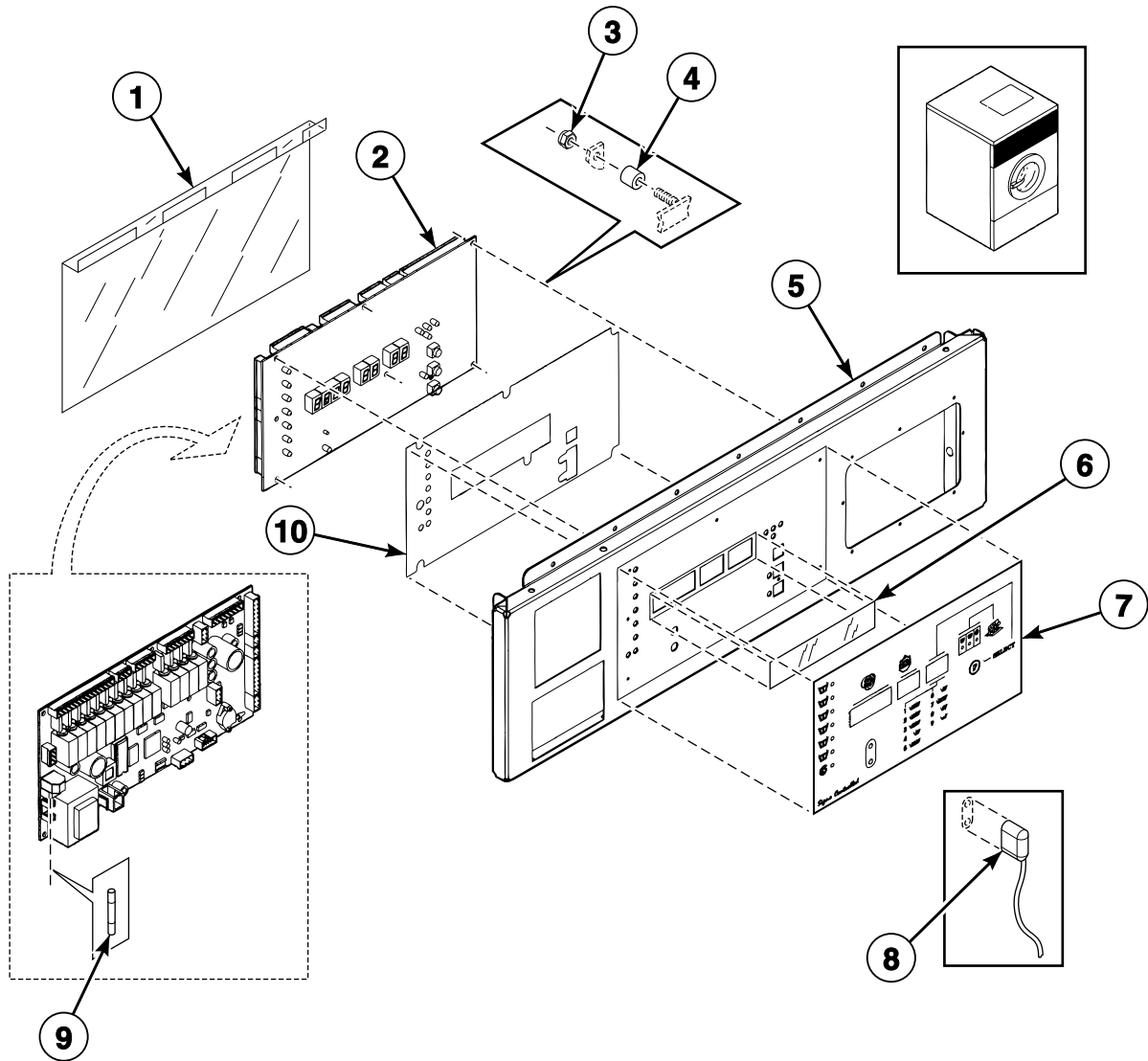


BE000629P_D0881

Control Panel - Sigma Coin

REF	PART NO.	DESCRIPTION	COMMENTS
1	229/00262/00	Circuit Board Cover	
2	209/00547/00	Control Board	
3	204/00114/00	Nut	
4	211/00122/00	Standoff	
5	245/00124/00	Facia and Outer Coin Box Assembly Kit	
6	225/00316/00	Plexi Frame	
7	225/00403/00	Decal	
8	210/00902/00	Infrared Cable	
9	209/00248/20	Mushroom Pushbutton	
10	209/00520/00	Telem Sticker	
11	209/00099/26	Contact Switch	
12	209/00439/00	Fuse	500 mA
13	229/00255/00	Insulating Sticker	

Control Panel - Sigma Coin with Frontal Supply Dispenser

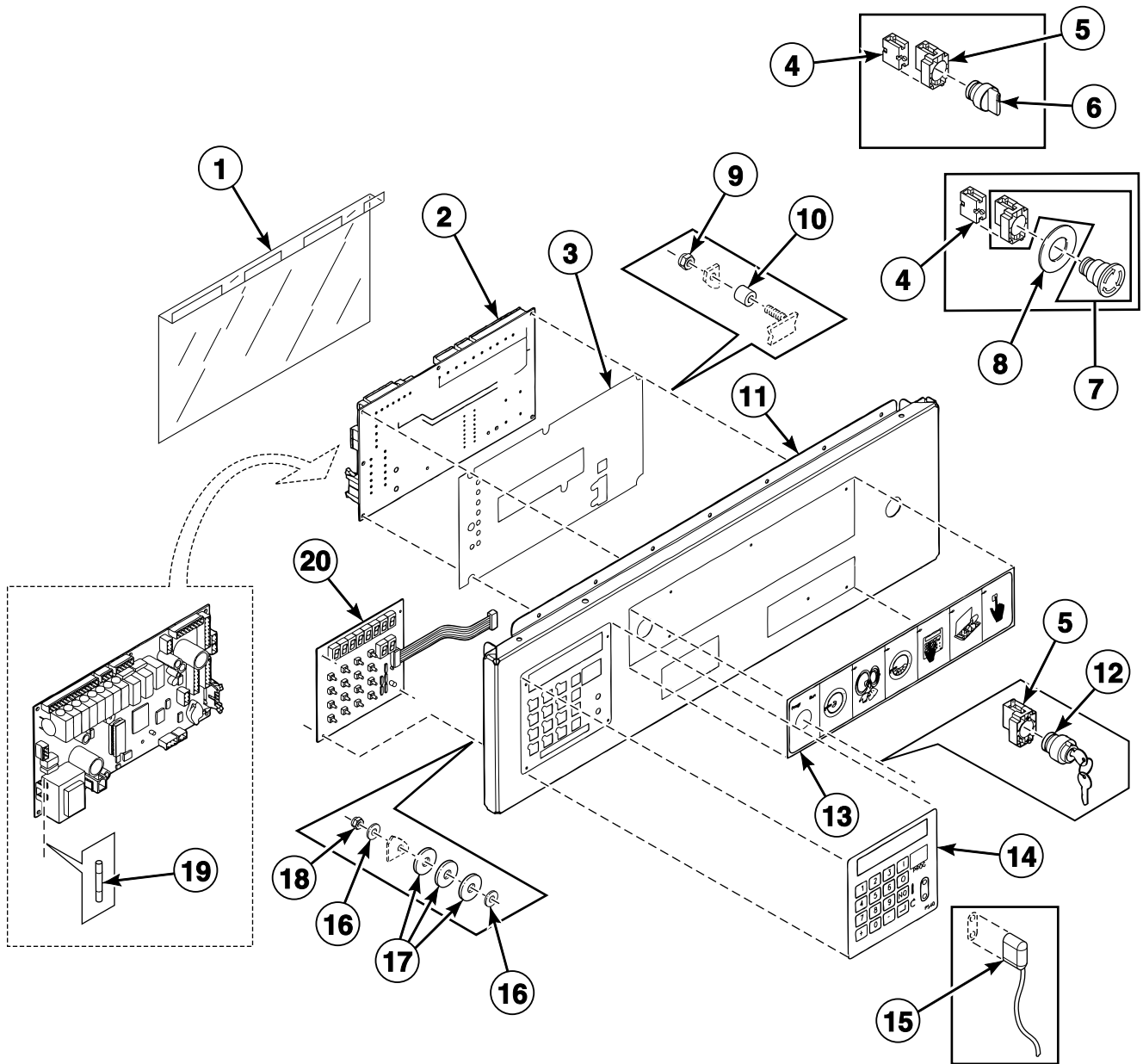


BE000817P_D0881

Control Panel - Sigma Coin with Frontal Supply Dispenser

REF	PART NO.	DESCRIPTION	COMMENTS
1	229/00262/00	Circuit Board Cover	
2	209/00547/00	Control Board	
3	204/00114/00	Nut	
4	211/00122/00	Standoff	
5	111/01823/00	Upper Front Panel	
6	225/00316/00	Plexi Frame	
7	225/10312/00	Operating Sticker	
8	210/00902/00	Infrared Cable	
9	209/00439/00	Fuse	500 mA
10	229/00255/00	Insulating Sticker	

Control Panel - PS40F

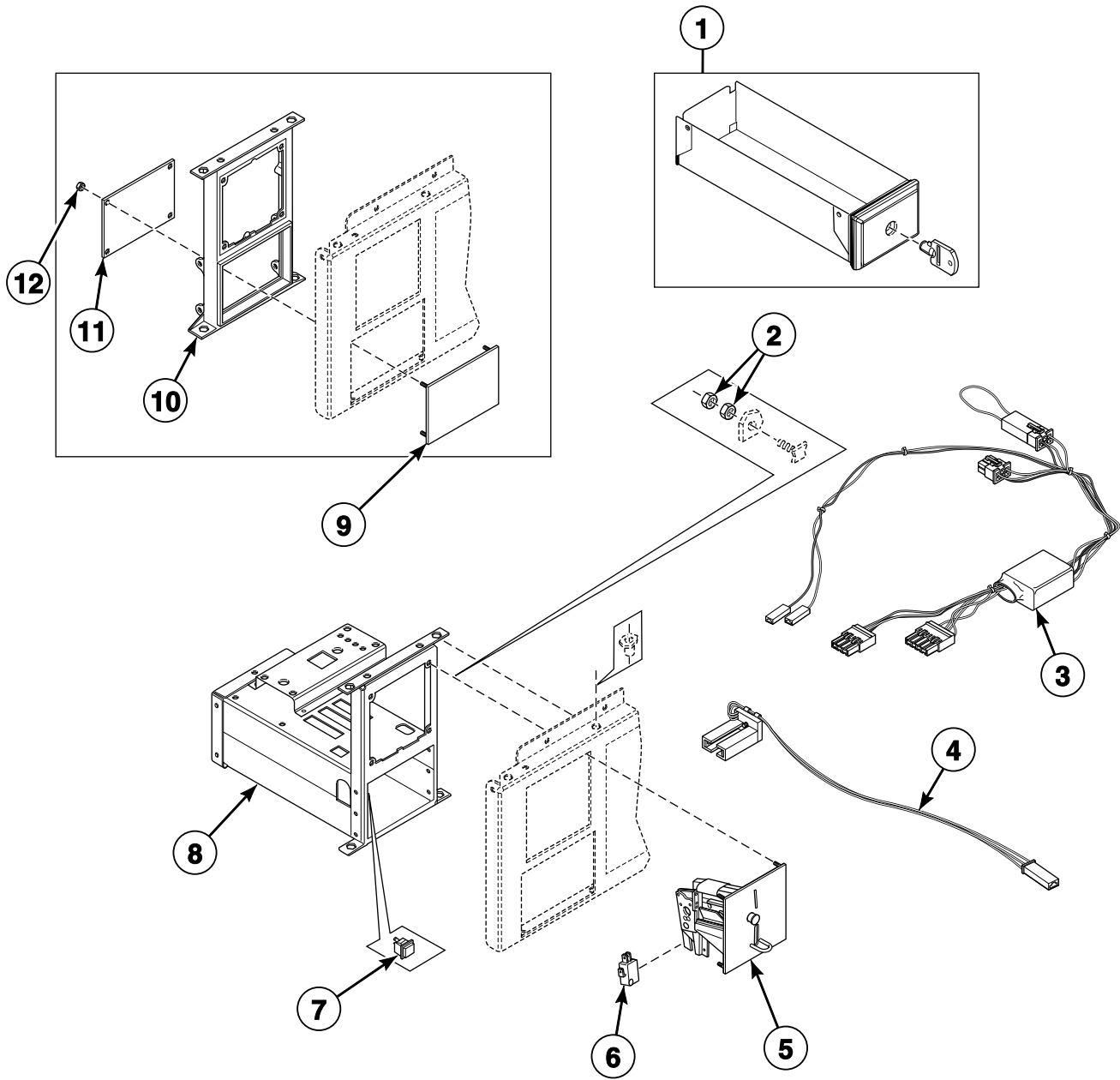


BE000622P_D0881

Control Panel - PS40F

REF	PART NO.	DESCRIPTION	COMMENTS
1	229/00262/00	Circuit Board Cover	
2	B12351701	Main Board	
3	229/00255/00	Insulating Sticker	
4	209/00099/26	Contact Switch	
5	209/00099/25	Switch Base	
6	209/00099/29	Switch Knob	
7	209/00248/20	Mushroom Pushbutton	
8	209/00520/00	Telem Sticker	
9	204/00116/00	Nut	
10	211/00122/00	Standoff	
11	111/01848/00	Upper Front Panel	
12	209/00326/20	Programming Key Contact Switch	
13	225/00400/00	Operating Sticker	
14	225/00397/00	Label	
15	210/00902/00	Infrared Cable	
16	223/00123/00	Washer	
17	223/00051/10	Washer	
18	204/00116/00	Nut	
19	209/00372/01	Fuse	
20	209/00552/01	Keypad	

Coin Drop - Mechanical Coin Meter

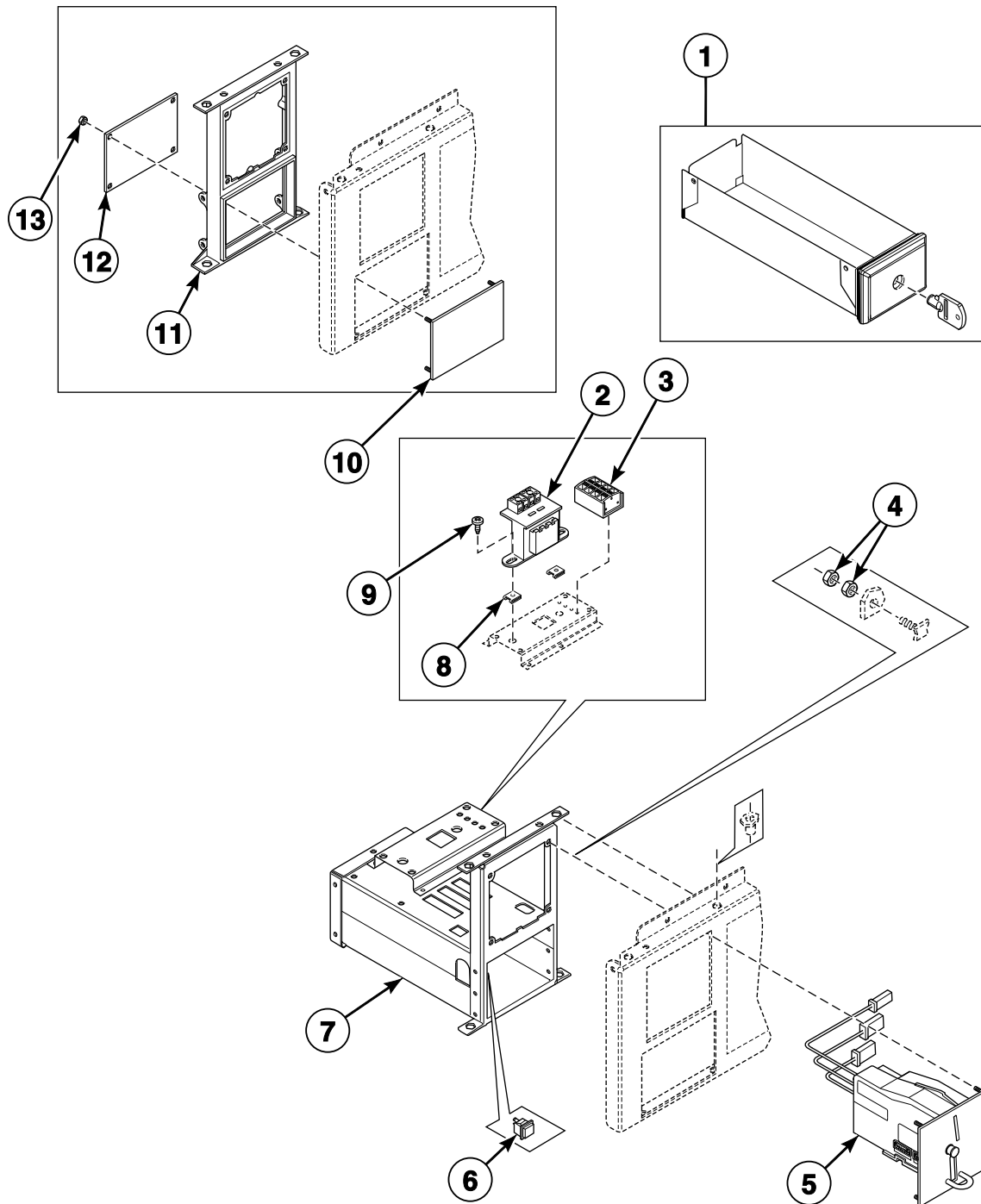


CFD512P_D0881

Coin Drop - Mechanical Coin Meter

REF	PART NO.	DESCRIPTION	COMMENTS
	B12388101	Single Drop Optical Sensor Kit	Includes items 3 and 4
	B12388102	Dual Drop Optical Sensor Kit	Includes items 3 and 4
1	254/00077/00	Coin Box	
	254/00077/02	Key	
2	204/00008/00	Nut	
3	B12359901	Wire Assembly	Micro-20 and Sigma models
4	209/00781/00	Optical Switch	Micro-20 and Sigma models
5	B12311224	Coin Drop	Mechanical; Jeton 5K
	B12311206	Coin Drop	Mechanical; Jeton 7K
	B12311201	Coin Drop	Mechanical; Jeton 10K
	B12311210	Coin Drop	Mechanical; Jeton 12K
	B12311252	Coin Drop	Mechanical; Jeton 10K and .5 euro
	B12311211	Coin Drop	Mechanical; Jeton 7K and 1 euro
	B12323901	Coin Drop	Mechanical; Jeton 15K and 7K
	B12311204	Coin Drop	Mechanical; Jeton gettone
	B12311234	Coin Drop	Mechanical; Jeton crouzet
	B12311247	Coin Drop	Mechanical; Jeton 118-1
	B12311248	Coin Drop	Mechanical; Jeton 118-5
	B12311222	Coin Drop	Mechanical; 1 euro
	B12311214	Coin Drop	Mechanical; .5 euro
	B12311202	Coin Drop	Mechanical; .5 and 1 euro
	B12311239	Coin Drop	Mechanical; .5 and 2 euro
	B12311205	Coin Drop	Mechanical; .2 and 1 euro
	B11211209	Coin Drop	Mechanical; .2 and .5 euro
	B12311218	Coin Drop	Mechanical; 1 and 1 euro
	B12311219	Coin Drop	Mechanical; 1 and 2 euro
	B12311203	Coin Drop	Mechanical; 1 and 2 frank
	B12311207	Coin Drop	Mechanical; 1 Deense kroon
	B12311225	Coin Drop	Mechanical; 10 Deense kronen
	B12311235	Coin Drop	Mechanical; 10 Tsjechische kronen
	B12311244	Coin Drop	Mechanical; 10 Noorse kronen
	B12311208	Coin Drop	Mechanical; 100 and 500 yen
	B12311212	Coin Drop	Mechanical; 15K
	B12311215	Coin Drop	Mechanical; 1 kro
	B12311226	Coin Drop	Mechanical; Australian 1.00
	B12311216	Coin Drop	Mechanical; Australian .2 and 1.00
	B12311220	Coin Drop	Mechanical; New Zealand 1.00
	B12311221	Coin Drop	Mechanical; .5 and 2 zwitsers
	B12311241	Coin Drop	Mechanical; Hong Kong 1.00
	B12311249	Coin Drop	Mechanical; Hong Kong 5.00
	B12311301	Coin Drop	Mechanical; U.S. \$.25
	B12311302	Coin Drop	Mechanical; U.S. \$.25 and \$1.00
	B12311304	Coin Drop	Mechanical; Canada 1.00 and .25
	B12323401	Coin Drop	Mechanical; Singapore 1.00
6	209/00600/01P	Switch	
7	209/00396/00	Pushbutton	
8	152/00112/00	Mechanical Coin Meter Housing	
9	111/01001/00	Top Panel	Gray
	111/01000/00	Front Plate	Black
10	217/00060/00	Fastening Piece	
11	111/01002/00	Backplate	
12	204/00116/00	Nut	

Coin Drop - Electronic Coin Meter

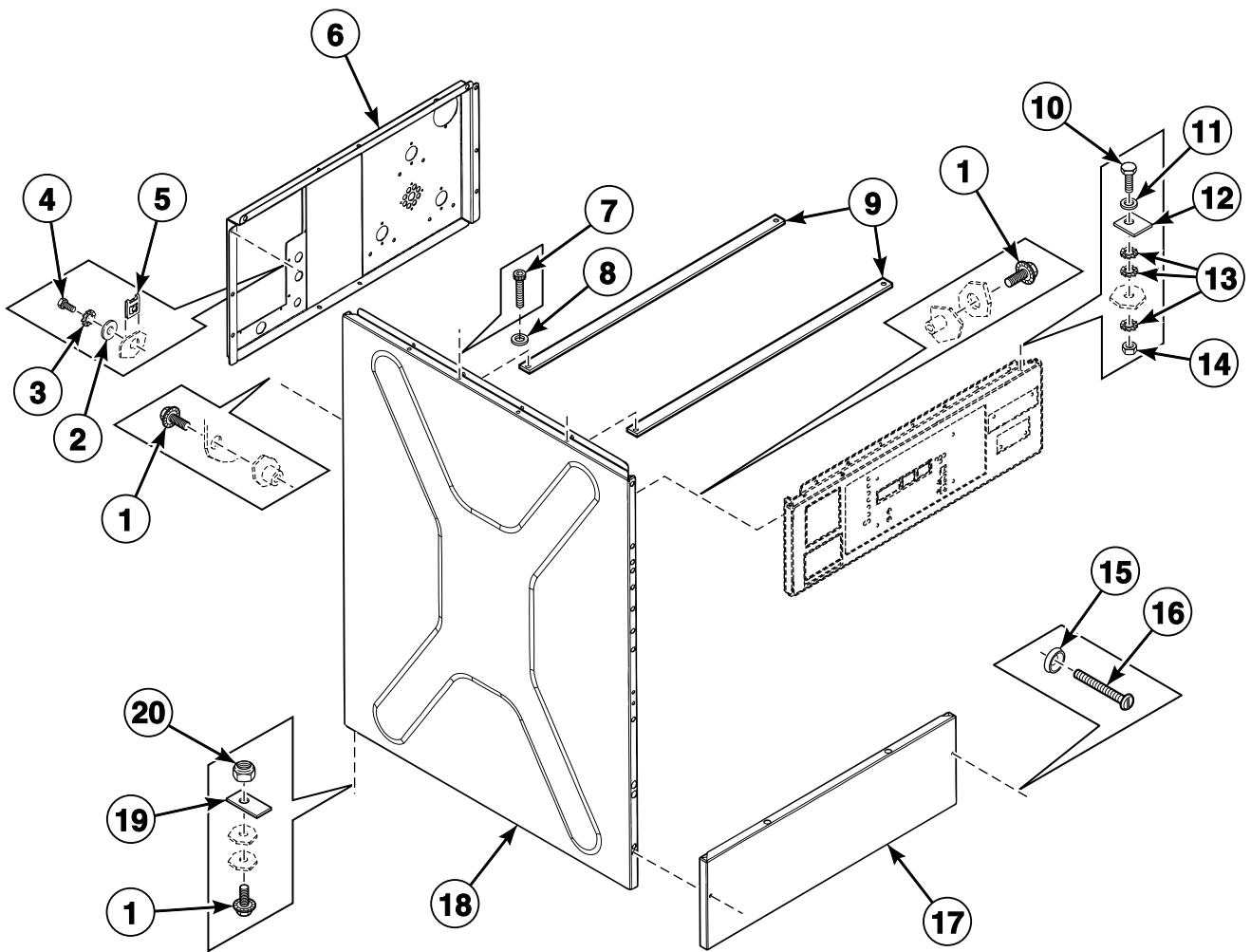


CFD511P_D0881

Coin Drop - Electronic Coin Meter

REF	PART NO.	DESCRIPTION	COMMENTS
1	254/00077/00	Coin Box	
	254/00077/02	Key	
2	209/00682/00	Transformer	
3	209/00683/00	Input Block	
4	204/00008/00	Nut	
5	B12311401	Coin Drop	Cygnus control models
6	209/00396/00	Pushbutton	
7	152/00112/50	Electronic Coin Meter Housing	
8	208/00002/00	Nut	
9	208/00014/00	Screw	
10	111/01001/00	Top Panel	Gray
	111/01000/00	Front Plate	Black
11	217/00060/00	Fastening Piece	
12	111/01002/00	Backplate	
13	204/00116/00	Nut	

Left Side, Lower Front and Upper Back Panels

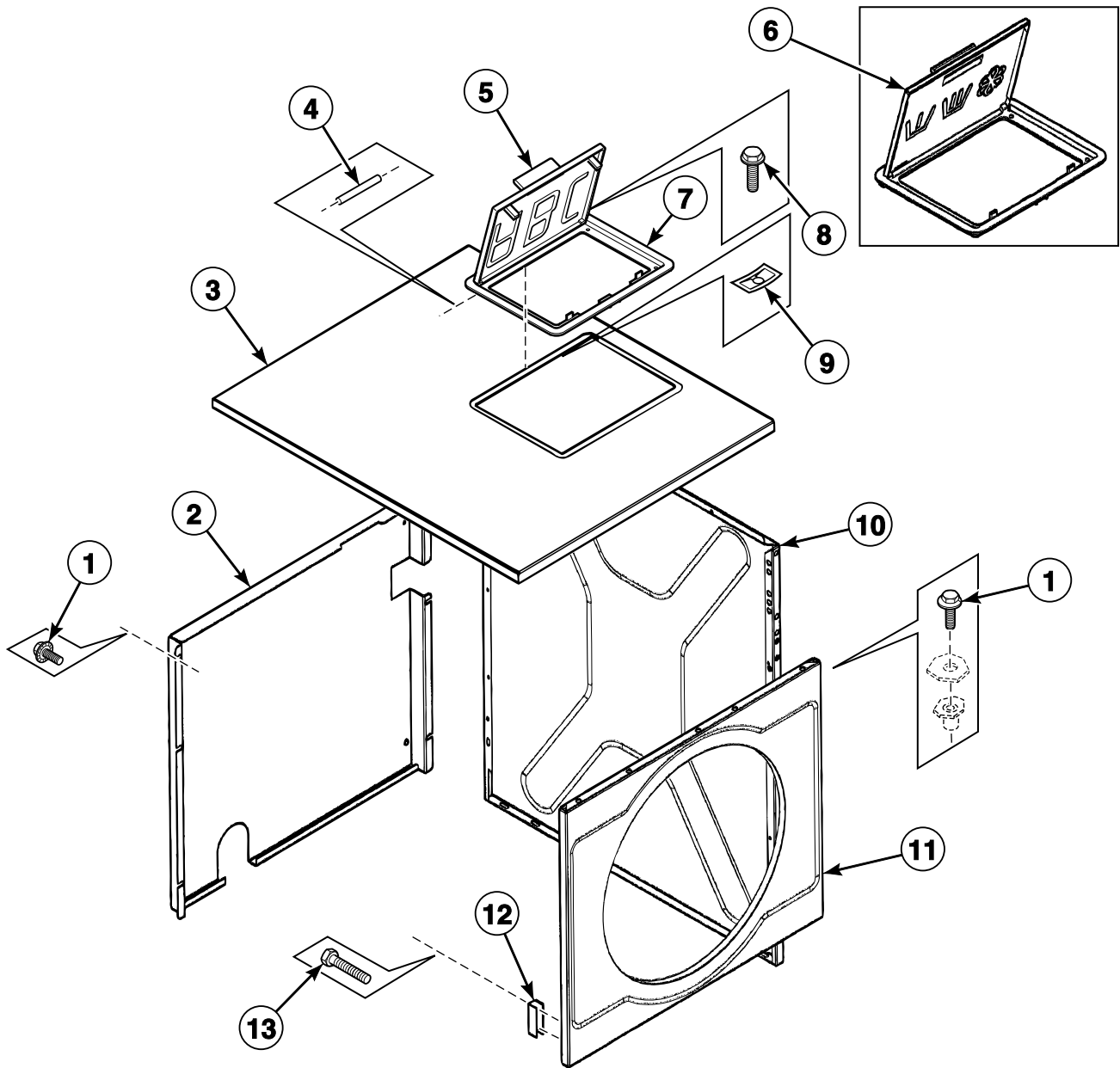


CFD487P_D0881

Left Side, Lower Front and Upper Back Panels

REF	PART NO.	DESCRIPTION	COMMENTS
1	206/00099/00	Bolt	
2	201/00006/00	Washer	
3	203/00015/00	Washer	
4	208/00014/00	Screw	
5	208/00025/00	Nut	
6	111/01832/00	Backbridge	
7	206/00166/00	Screw	
8	B12421401	Washer	
9	155/00162/00	Crossbar Soap Dispenser	
10	205/00106/00	Bolt	
11	202/00003/00	Washer	
12	117/00042/00	Retaining Ring	
13	203/00005/00	Washer	
14	204/00006/00	Nut	
15	208/00009/00	Washer	
16	207/00101/00	Screw	
17	111/00285/00	Lower Front Panel	
18	111/10089/00	Side Panel	*14, *18, *65, *74 and *75 models; Left; Stainless steel
	111/10097/00	Side Panel	*25 and *100 models; Left; Stainless steel
	111/60031/00	Side Panel	IWF014, IWF018, IWF065, IWF074, WF65 and WF75 models; Left; Black
	111/60034/00	Side Panel	IWF025, IWF100 and WF100 models; Left; Black
	111/10089/60	Side Panel	CWF018, WF065 and WF75 models; Left; Gray
	111/10071/00	Side Panel	CWF025 and WF100 models; Left; Gray
19	101/00007/00	Outlet Pipe Plate Assembly	
20	204/00009/00	Nut	

Right Side, Front, Lower Rear and Top Panels

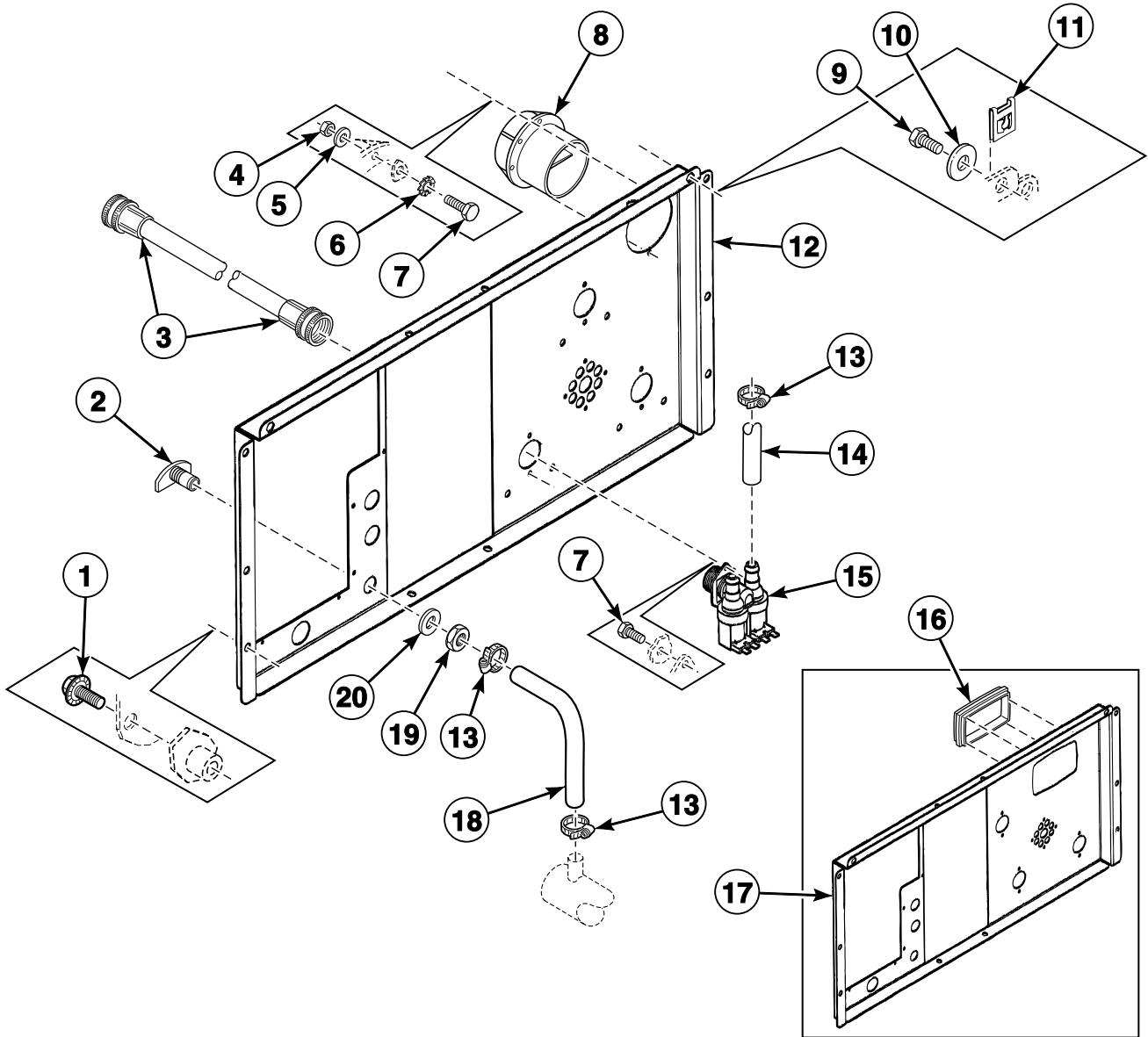


BE000795P_D0881

Right Side, Front, Lower Rear and Top Panels

REF	PART NO.	DESCRIPTION	COMMENTS
1	206/00099/00	Bolt	
2	111/10427/01	Lower Rear Panel	
3	111/22141/00	Top Panel	*14, *18, *65, *74 and *75 models; With dispenser opening
	111/22142/00	Top Panel	*25 and *100 models; With dispenser opening
	111/22141/01	Top Panel	*14, *18, *65, *74 and *75 models; Without dispenser opening
	111/22142/01	Top Panel	*25 and *100 models; Without dispenser opening
4	223/00103/04	Soap Dispenser Cover Hinge Rod	2 required
5	223/00103/01	Soap Dispenser Cover	
6	223/00103/50	Soap Dispenser Cover	With symbols
7	223/00103/03	Soap Dispenser Frame	
8	207/00125/00	Bolt	
9	208/00104/00	Nut	
10	111/10089/00	Side Panel	*14, *18, *65, *74 and *75 models; Right; Stainless steel
	111/10097/00	Side Panel	*25 and *100 models; Right; Stainless steel
	111/60031/00	Side Panel	IWF014, IWF018, IWF065, IWF074, WF65 and WF75 models; Right; Black
	111/60034/00	Side Panel	IWF025, IWF100 and WF100 models; Right; Black
	111/10089/60	Side Panel	CWF018, WF065 and WF75 models; Right; Gray
	111/10071/00	Side Panel	CWF025 and WF100 models; Right; Gray
11	111/00290/00	Front Panel	
12	111/10089/01	Reinforcement Plate	
13	206/00114/00	Bolt	

Water Inlet Valves

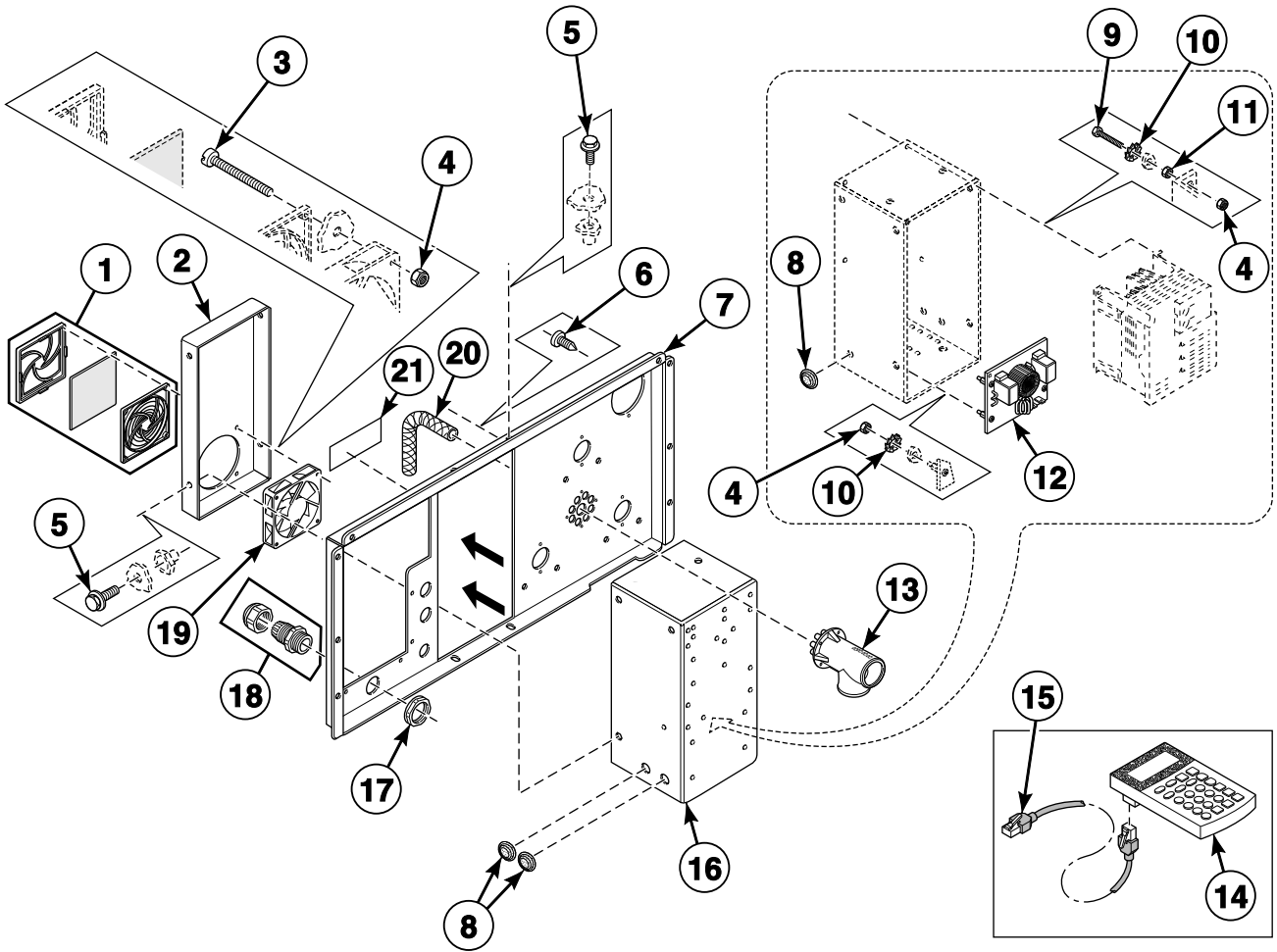


CFD321P_D0881

Water Inlet Valves

REF	PART NO.	DESCRIPTION	COMMENTS
1	206/00099/00	Bolt	
2	223/00001/04	Prewash and Mainwash Nozzle	
3	F200164	Water Hose	Standard thread
	F200166	Water Hose	Metric thread
4	204/00007/00	Nut	
5	202/00004/00	Washer	
6	203/00006/00	Washer	
7	206/00027/00	Bolt	
8	223/00102/07	Hose Vent	
9	208/00014/00	Screw	
10	201/00006/00	Washer	
11	208/00002/00	Nut	
12	111/01832/00	Backbridge	Circular ventilation
13	223/00010/00	Hose Clamp	
14	223/00044/00	Water Hose	
15	209/00110/00	2-Way Inlet Valve	Metric thread
	B12519501	2-Way Inlet Valve	Standard thread; G581P3 Diaphragm and Guide Kit
16	223/00226/00	Vent Tube	
17	111/01832/10	Upper Backpanel	Rectangular ventilation
18	223/00044/01	Water Hose	
19	204/00201/00	Nut	
20	201/00002/00	Washer	

Inverter Drive (Drawing 1 of 2)

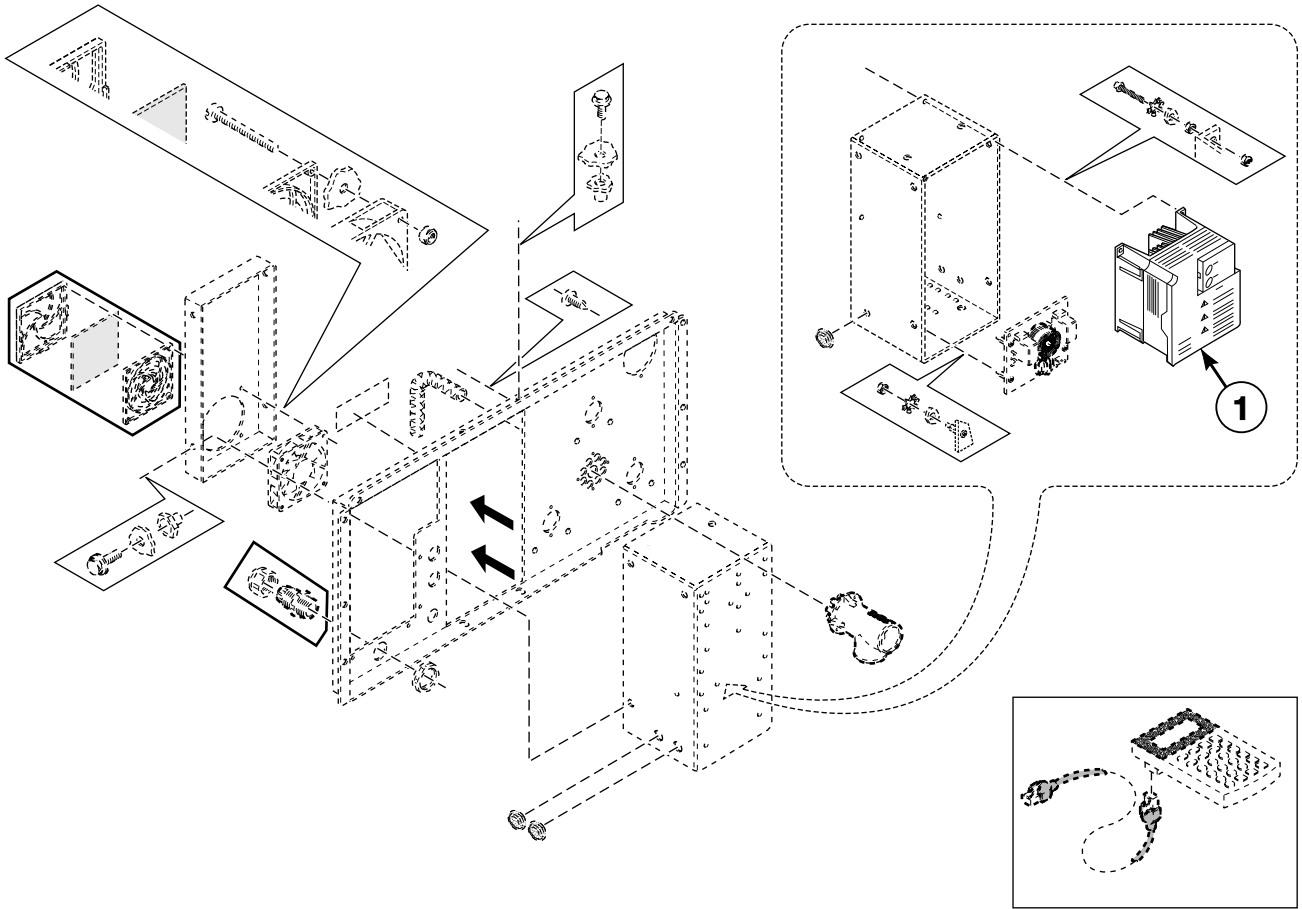


CFD439P_D0881

Inverter Drive (Drawing 1 of 2)

REF	PART NO.	DESCRIPTION	COMMENTS
1	209/00465/11	Fan Filter	
	209/00465/21	Filter	
2	111/10425/01	Inverter Box Cover	
3	207/00021/00	Screw	
4	204/00114/00	Nut	
5	206/00099/00	Bolt	
6	208/00130/00	Screw	
7	111/01832/00	Backbridge	
8	223/00174/00	Grommet	
9	206/00088/00	Bolt	
10	203/00006/00	Washer	
11	204/00007/00	Nut	
12	B12339301	Noise Filter	
13	223/00250/00	Liquid Soap Manifold	
14	227/00171/00	Parameter Unit Assembly	Hand held
	F8410901	Parameter Unit Assembly	Inverter drive mounted; Used with 500-series inverter drives
15	227/00171/10	Parameter Unit Program Cable	
16	111/10425/00	Inverter Drive Box	Use with FR-E520 and FR-E540 series inverter
	111/10425/50	Inverter Drive Box	Use with FR-D720 and FR-D740 series inverter
17	211/00171/00	Nut	
18	211/00182/00	Nut	
19	209/00465/00	Fan	
20	223/00179/10	Pressure Hose	
21	B12355001	Voltage Discharge Decal	

Inverter Drive (Drawing 2 of 2)



CFD439PA_D0881

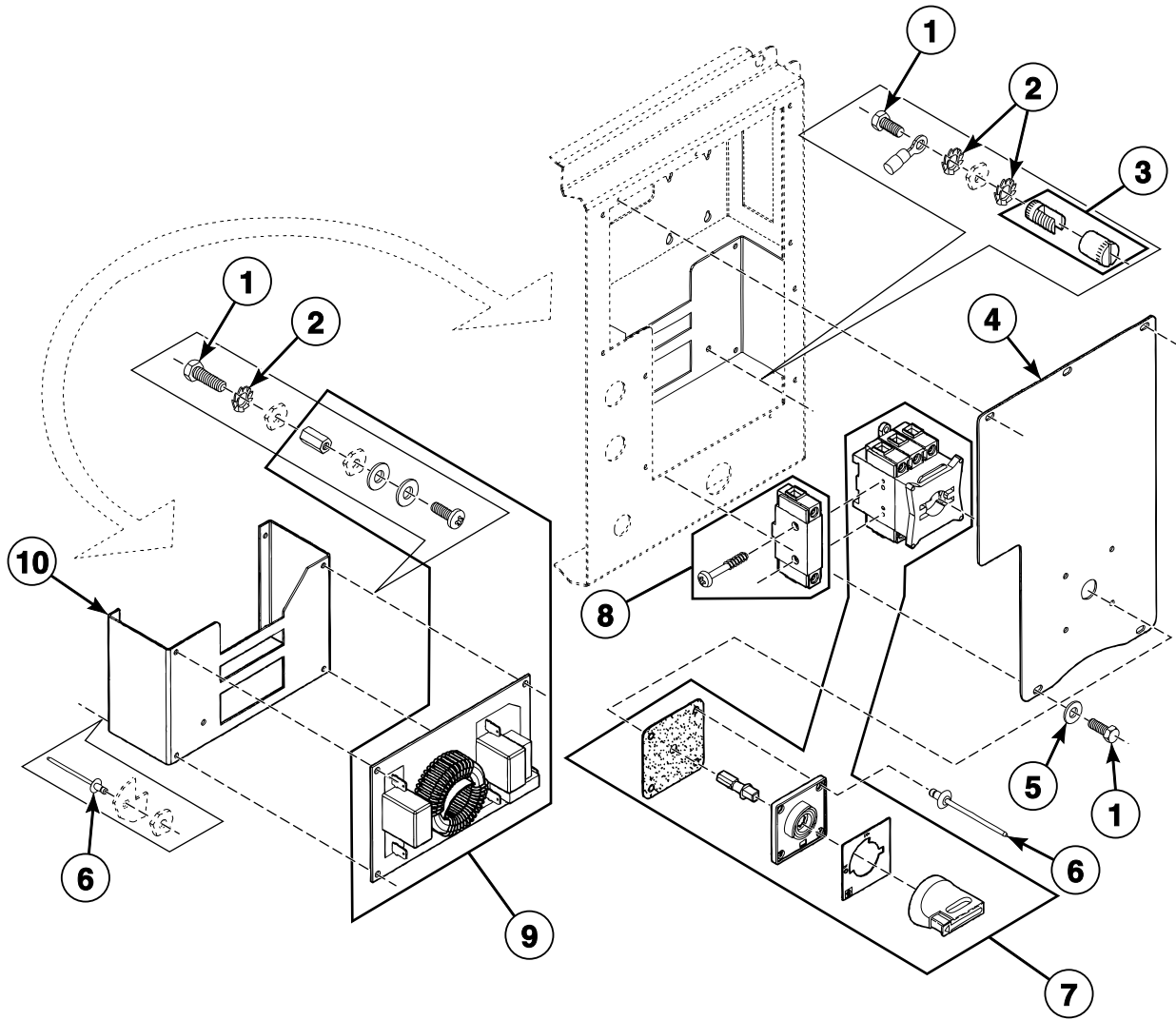
Inverter Drive (Drawing 2 of 2)

REF	PART NO.	DESCRIPTION	COMMENTS
1	N/A	Inverter	FR-E520 series; 1 x 230 Volt
	227/00167/00	Inverter Drive	FR-E540 series; 3 x 400 Volt
	227/00236/00	Inverter Drive	FR-D740 series; 3 x 400 Volt; *65, *74, *75 and *100 Cygnus models
	227/00227/00	Inverter	FR-D720 series; 1 x 230 Volt; *65, *74, *75 and *100 Cygnus models
	F8420301	Drive	700-series; *14 and *65 Micro-20, PS40F and Sigma models; 200 Volt/1 Phase; Models with .37 kW motor
	F8420302	Drive	700-series; *14 and *65 Micro-20, PS40F and Sigma models; 400 Volt/3 Phase; Models with .37 kW motor
	F8420303	Drive	700-series; *14 and *65 Micro-20, PS40F and Sigma models; 200 Volt/1 Phase; Models with .55 kW motor
	F8420304	Drive	700-series; *14 and *65 Micro-20, PS40F and Sigma models; 400 Volt/3 Phase; Models with .55 kW motor
	F8420305	Drive	700-series; *18, *74 and *75 Micro-20, PS40F and Sigma models; 200 Volt/1 Phase; Models with .37 kW motor
	F8420306	Drive	700-series; *18, *74 and *75 Micro-20, PS40F and Sigma models; 400 Volt/3 Phase; Models with .37 kW motor
	F8420307	Drive	700-series; *18, *74 and *75 Micro-20, PS40F and Sigma models; 200 Volt/1 Phase; Models with .55 kW motor
	F8420308	Drive	700-series; *18, *74 and *75 Micro-20, PS40F and Sigma models; 400 Volt/3 Phase; Models with .55 kW motor
	F8420309	Drive	700-series; *25 and *100 Micro-20, PS40F and Sigma models; 200 Volt/1 Phase; Models with .37 kW motor
	F8420310	Drive	700-series; *25 and *100 Micro-20, PS40F and Sigma models; 400 Volt/3 Phase; Models with .37 kW motor
	F8420311	Drive	700-series; *25 and *100 Micro-20, PS40F and Sigma models; 200 Volt/1 Phase; Models with .55 kW motor
	F8420312	Drive	700-series; *25 and *100 Micro-20, PS40F and Sigma models; 400 Volt/3 Phase; Models with .55 kW motor
	F8420201	Inverter Kit	700-series; *14 and *65 Micro-20, PS40F and Sigma models; 200 Volt/1 Phase; Models with .37 kW motor; Includes F8420301 Drive; ***
	F8420202	Inverter Kit	700-series; *14 and *65 Micro-20, PS40F and Sigma models; 400 Volt/3 Phase; Models with .37 kW motor; Includes F8420302 Drive; ***
	F8420203	Inverter Kit	700-series; *14 and *65 Micro-20, PS40F and Sigma models; 200 Volt/1 Phase; Models with .55 kW motor; Includes F8420303 Drive; ***
	F8420204	Inverter Kit	700-series; *14 and *65 Micro-20, PS40F and Sigma models; 400 Volt/3 Phase; Models with .55 kW motor; Includes F8420304 Drive; ***
	F8420205	Inverter Kit	700-series; *18, *74 and *75 Micro-20, PS40F and Sigma models; 200 Volt/1 Phase; Models with .37 kW motor; Includes F8420305 Drive; ***
	F8420206	Inverter Kit	700-series; *18, *74 and *75 Micro-20, PS40F and Sigma models; 400 Volt/3 Phase; Models with .37 kW motor; Includes F8420306 Drive; ***
	F8420207	Inverter Kit	700-series; *18, *74 and *75 Micro-20, PS40F and Sigma models; 200 Volt/1 Phase; Models with .55 kW motor; Includes F8420307 Drive; ***
	F8420208	Inverter Kit	700-series; *18, *74 and *75 Micro-20, PS40F and Sigma models; 400 Volt/3 Phase; Models with .55 kW motor; Includes F8420308 Drive; ***
	F8420209	Inverter Kit	700-series; *25 and *100 Micro-20, PS40F and Sigma models; 200 Volt/1 Phase; Models with .37 kW motor; Includes F8420309 Drive; ***
	F8420210	Inverter Kit	700-series; *25 and *100 Micro-20, PS40F and Sigma models; 400 Volt/3 Phase; Models with .37 kW motor; Includes F8420310 Drive; ***
	F8420211	Inverter Kit	700-series; *25 and *100 Micro-20, PS40F and Sigma models; 200 Volt/1 Phase; Models with .55 kW motor; Includes F8420311 Drive; ***
	F8420212	Inverter Kit	700-series; *25 and *100 Micro-20, PS40F and Sigma models; 400 Volt/3 Phase; Models with .55 kW motor; Includes F8420312 Drive; ***

N/A = Part no longer available

*** NOTE: Inverter Kit includes F8409501 Mounting Plate Assembly and F430903 Screw

Main Switch and Noise Filter

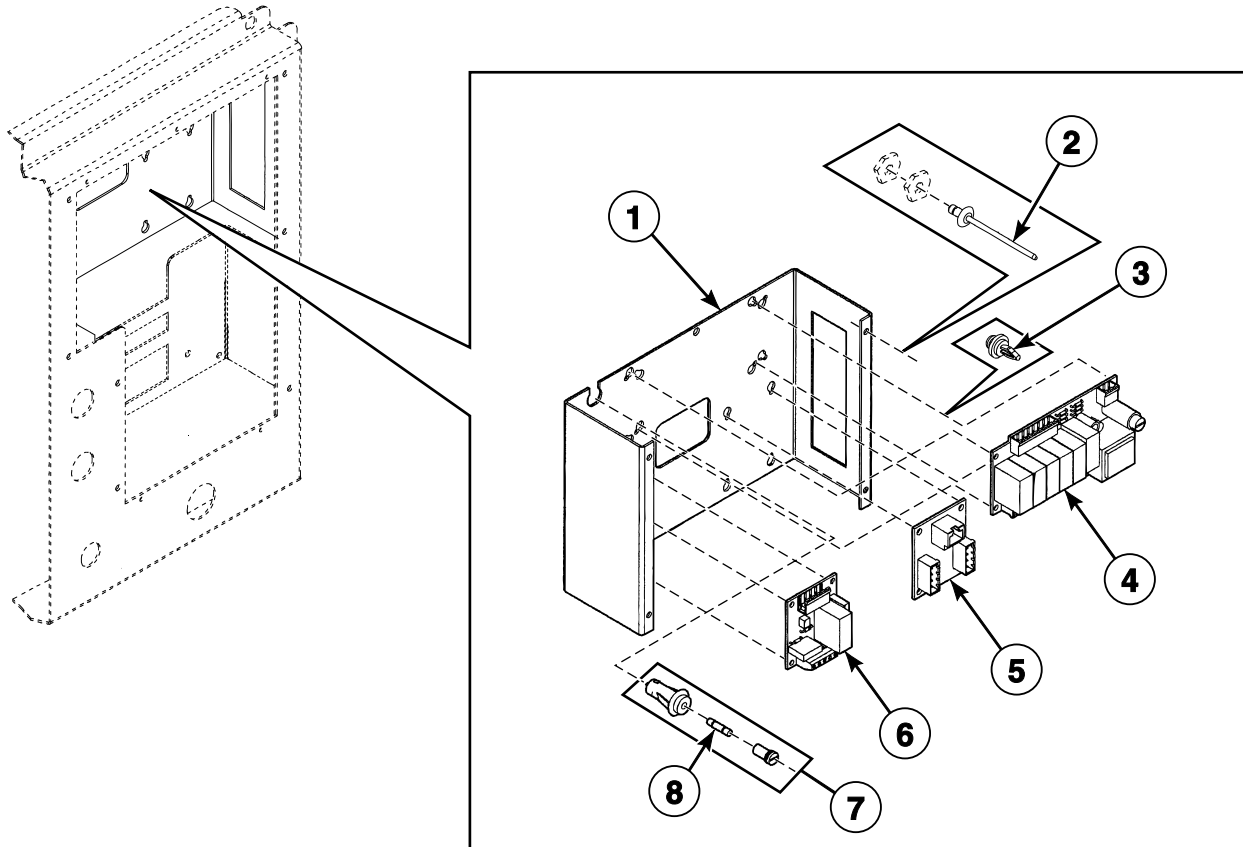


BE000799P_D0881

Main Switch and Noise Filter

REF	PART NO.	DESCRIPTION	COMMENTS
1	206/00027/00	Bolt	
2	203/00006/00	Washer	
3	209/00006/01	Ground Terminal	
4	111/01834/00	Main Switch Cover	
5	202/00004/00	Washer	
6	208/00017/00	Rivet	
7	209/00529/00	Main Switch	25A
	209/00672/00	Main Switch	40A
	209/00526/00	Main Switch	80A
8	209/00530/00	Terminal Block	25A
	209/00527/00	Terminal Block	63/80A
9	227/00177/00	Filter	16A1
	227/00242/00	Noise Filter	16A3
	227/00179/00	Filter	40A3
	227/00180/00	Filter	45A1
	227/00183/00	Filter	53A3
10	111/01837/01	Filter Bracket	

Central Operating Panel, Network Connection and Soap Injection Printboards

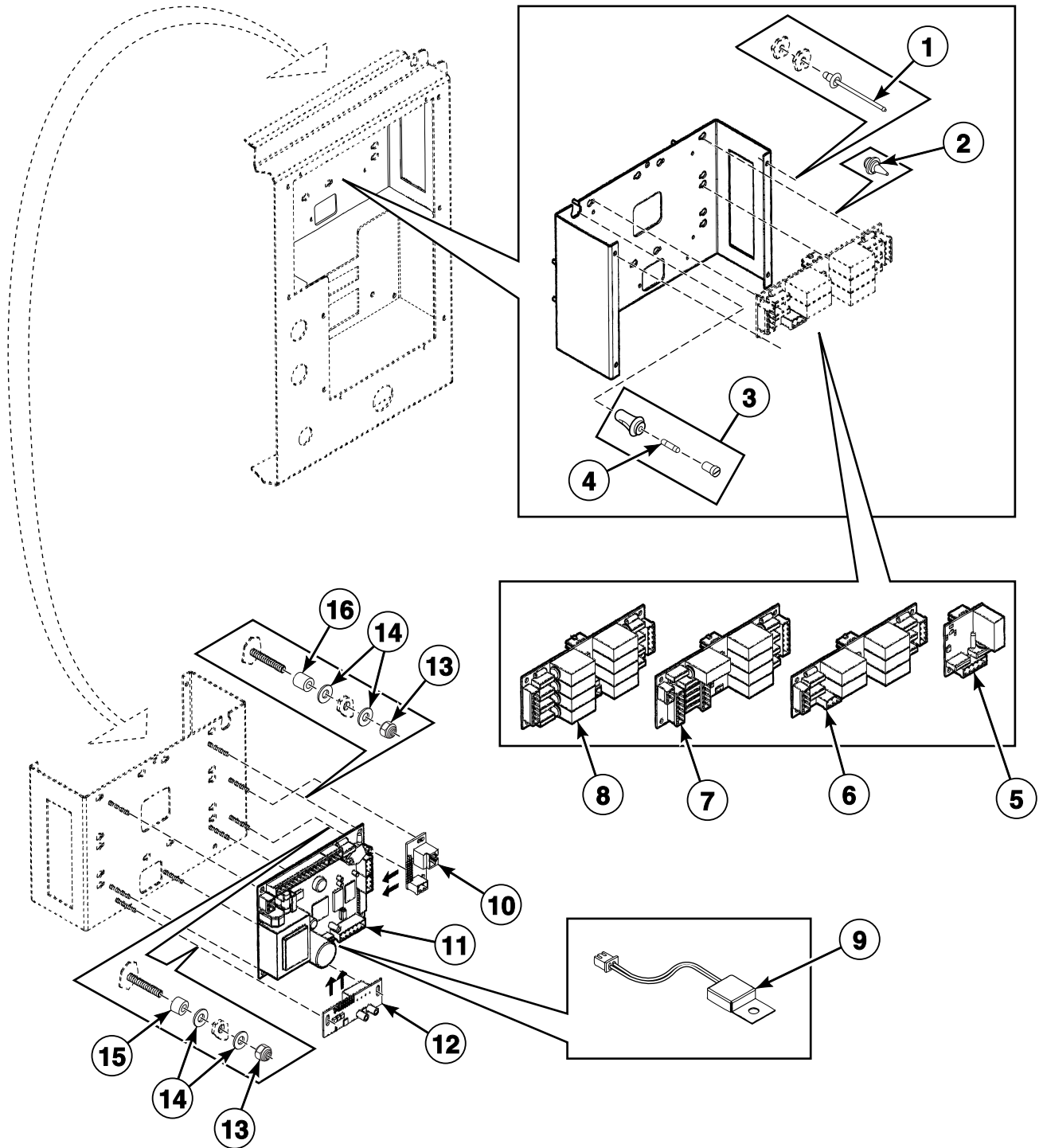


BE000800P_D0881

Central Operating Panel, Network Connection and Soap Injection Printboards

REF	PART NO.	DESCRIPTION	COMMENTS
1	111/01838/10	Printboard Support	
2	208/00017/00	Rivet	
3	211/00146/00	Standoff	
4	209/00218/13	Soap Injection PCB with Fuse	
5	209/00540/01	Network Connection Printboard	
6	209/00438/50	Central Control Board	
7	209/00202/00	Fuse Holder	
	209/00202/01	Fuse Holder	Includes item 8
8	209/00468/00	Fuse	3 Amp

Relay, Network Connection and Main Printboards - Cygnus Models

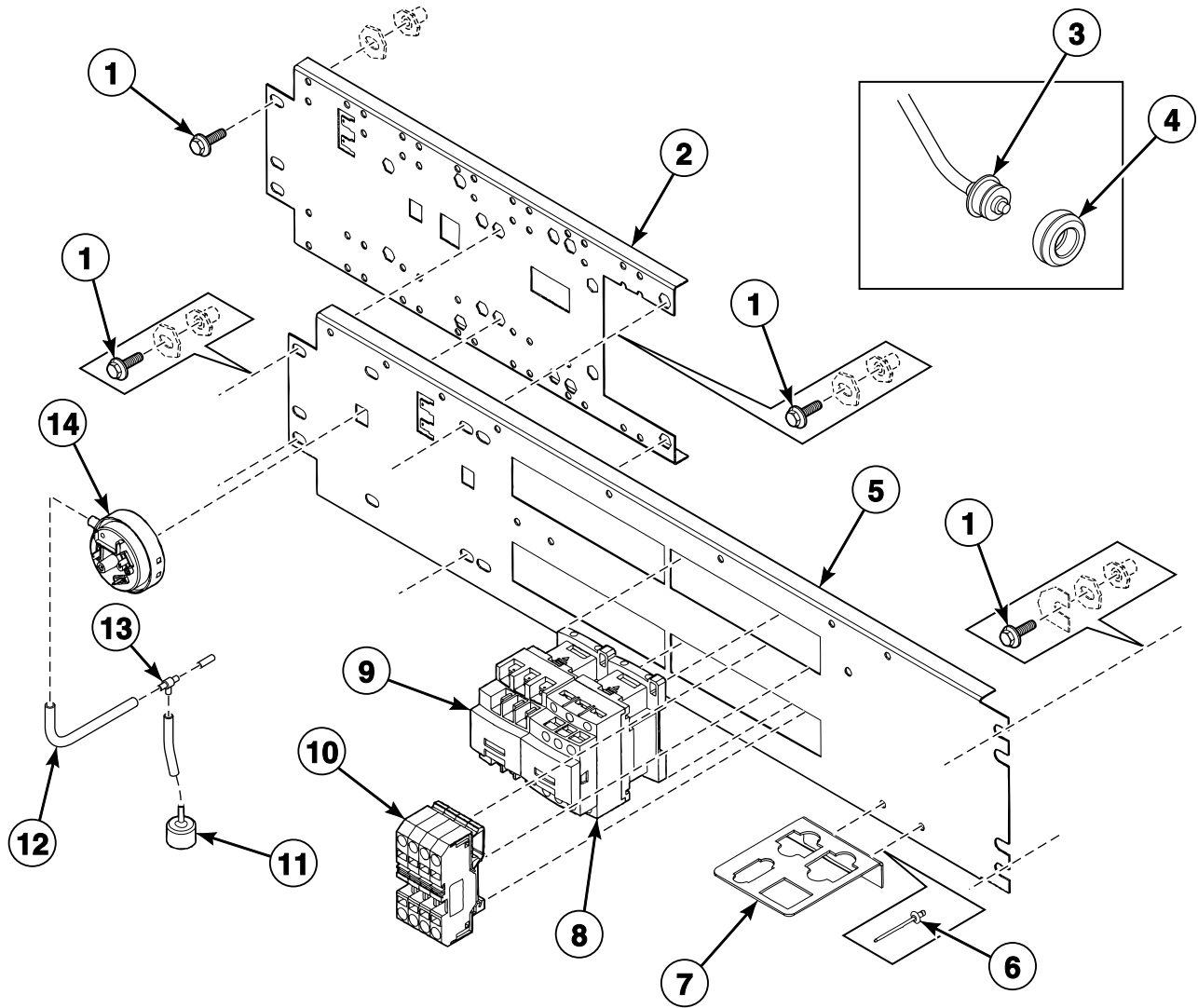


BE000801AP_D0881

Relay, Network Connection and Main Printboards - Cygnus Models

REF	PART NO.	DESCRIPTION	COMMENTS
1	208/00017/00	Rivet	
2	211/00146/00	Standoff	
3	209/00202/00	Fuse Holder	
	209/00202/01	Fuse Holder	Includes item 4
4	209/00468/00	Fuse	3 Amp
5	209/02016/00	Relay PC-Board	1-1
6	209/02005/00	Detergent PC-Board	1-5
7	209/02014/00	Relay PC-Board	5-5
8	209/02008/00	Detergent PC-Board	1-8
9	209/02020/00	ID Chip	
10	209/02006/00	Inverter PC-Board	
11	209/02025/00	Microprocessor	
12	209/02007/00	Network Connection Printboard	
13	204/00116/00	Nut	
14	223/00123/00	Washer	
15	211/00128/00	Printboard Separator	
16	211/00122/00	Standoff	

Electrical Component Mounting Plate

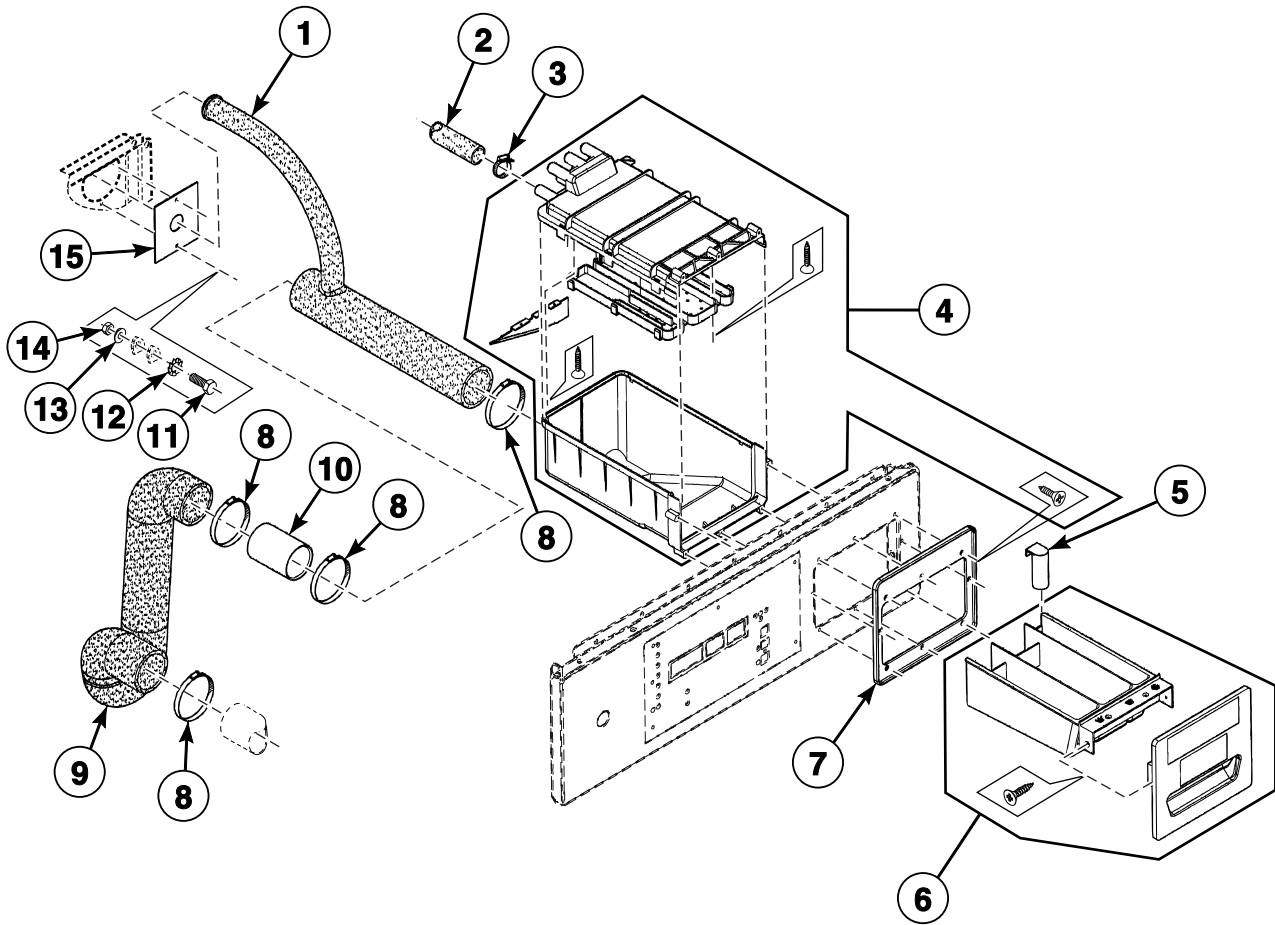


BE000802P_D0881

Electrical Component Mounting Plate

REF	PART NO.	DESCRIPTION	COMMENTS
1	206/00099/00	Bolt	
2	111/10003/40	Electrical Component Mounting Plate	
3	210/01064/16	Thermostat	Micro-20, Sigma and PS40F control models
	210/00214/00	Thermostat	Cygnus control models
4	225/10004/00	Thermostat Seal	
5	111/10003/30	Electrical Component Mounting Plate	
6	208/00017/00	Rivet	
7	111/10003/10	Support Connector	
8	209/06148/02	Heating Contactor	LC1D18P7
9	209/00641/04	Heating Contactor	LC1D0901M7
10	209/00619/00	Overload Contactor	2 pole; 6 mm; Gray
	209/00620/00	Overload Contactor	2 pole; 6 mm; Blue
	209/00621/00	Overload Contactor	3 pole; 6 mm; Blue
	209/00622/00	Overload Contactor	3 pole; 6 mm; Gray
	209/00623/00	Overload Contactor	2 pole; 10 mm; Gray
	209/00624/00	Overload Contactor	2 pole; 10 mm; Blue
	209/00625/00	Overload Contactor	3 pole; 10 mm; Gray
	209/00619/01	Connection Clamp	2 pole; 6 mm
	209/00622/01	Connection Clamp	3 pole; 6 mm
	209/00625/01	Connection Clamp	3 pole; 10 mm
11	223/00035/02	Pressure Switch Cap	
12	223/00333/00	Pressure Hose	
13	223/00173/10	Pressure Switch Hose Tee	
14	209/00027/10	Pressure Switch	

Supply Dispenser - Models with Frontal Supply Dispenser

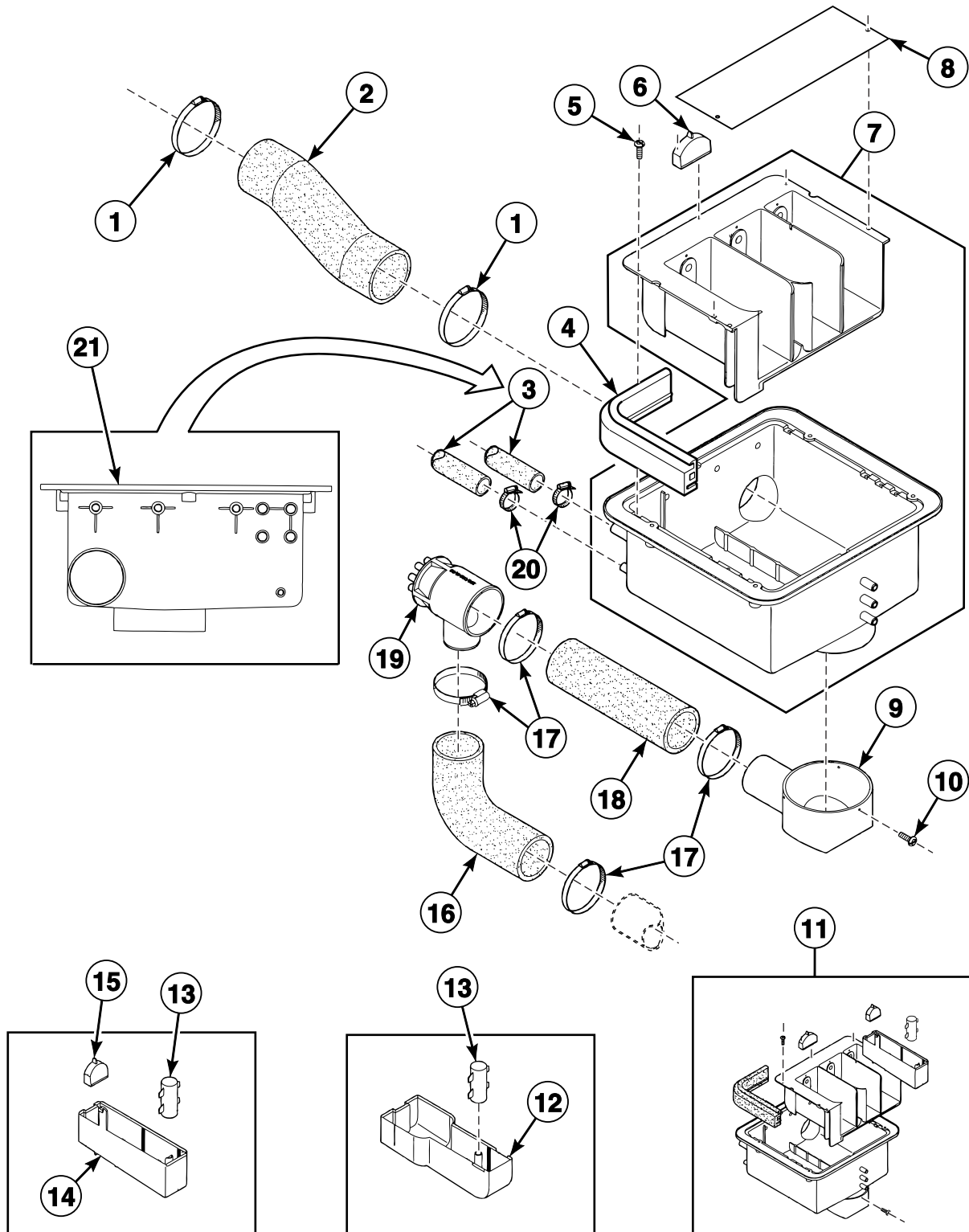


BE000663AP_D0881

Supply Dispenser - Models with Frontal Supply Dispenser

REF	PART NO.	DESCRIPTION	COMMENTS
1	223/00286/00	Hose	
2	223/00044/01	Water Hose	
3	223/00010/00	Hose Clamp	
4	223/00280/00	Outer Soapbox	
5	223/00280/03	Front Soapbox Siphon	
6	223/00280/20	Inner Soapbox	
7	223/00280/07	Soapbox Handle	
8	223/00013/00	Hose Clamp	
9	223/00298/00	Hose	
10	118/00118/03	Tube	
11	206/00027/00	Bolt	
12	203/00006/00	Washer	
13	202/00004/00	Washer	
14	204/00007/00	Nut	
15	155/00161/00	Pump Support	

Supply Dispenser - Models with Round Ventilation Opening

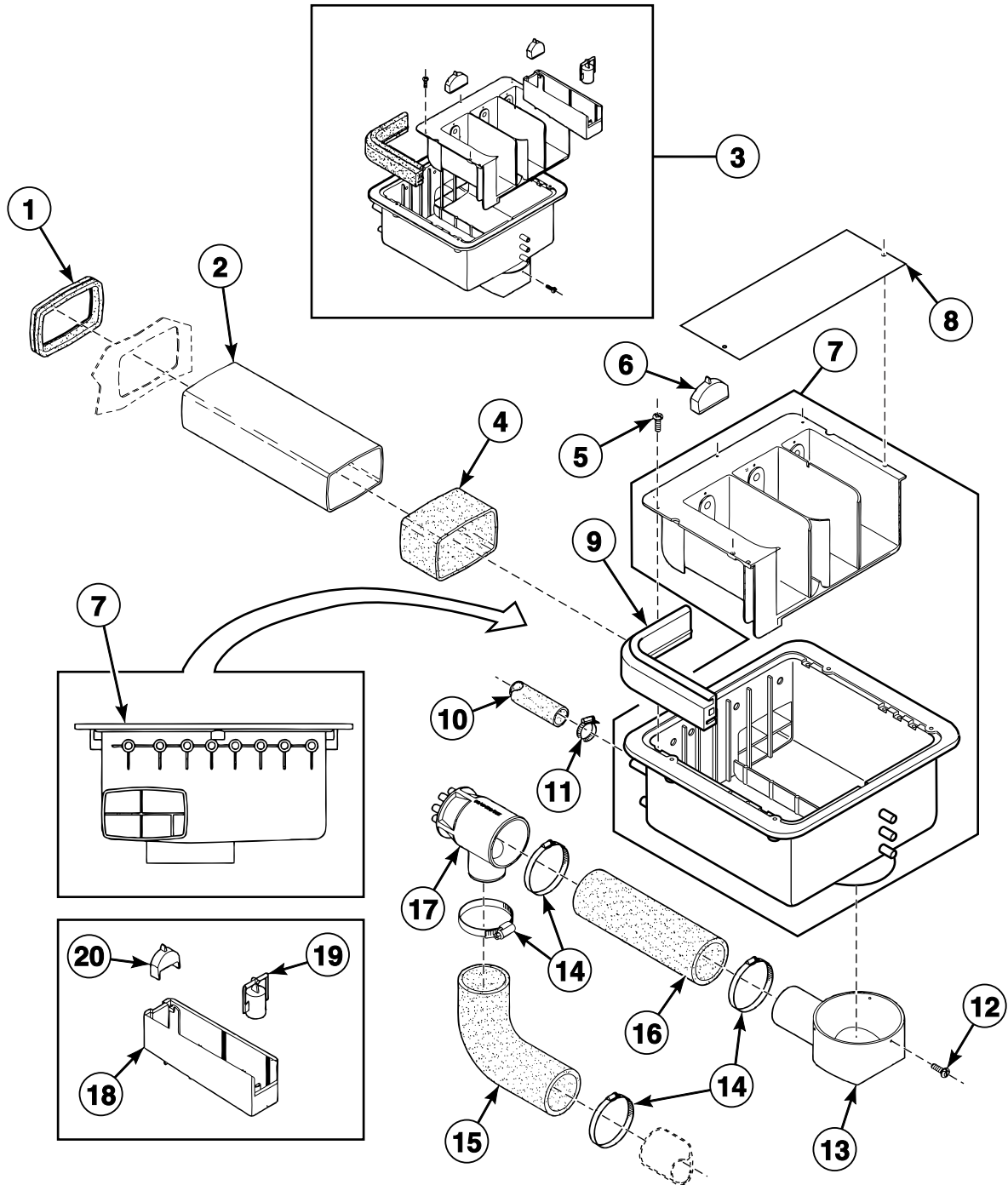


CFD322P_D0881

Supply Dispenser - Models with Round Ventilation Opening

REF	PART NO.	DESCRIPTION	COMMENTS
1	223/00014/00	Hose Clamp	
2	223/00107/00	Soap Dispenser Air Breather Hose	*25 and *100 models
	223/00197/00	Vent Hose	*14, *18, *65, *74 and *75 models
3	223/00044/01	Water Hose	
4	223/00109/00	Soap Dispenser Gasket	
5	B12347501	Screw	
6	223/00102/06	Soap Spray Nozzle	
7	223/00102/30	Soap Dispenser Assembly	
8	123/00107/00	Anti-Splash Plate	Sigma control models
	123/00103/06	Soap Box Assembly Plate	All other models
9	223/00195/00	Dispenser Drain Funnel	
10	B12350903	Screw	
11	223/00102/50	Soap Dispenser Assembly	
12	223/00102/08	Liquid Soap Dispenser Insert	
13	223/00102/04	Soap Dispenser Rinse Siphon	
14	223/00102/03	Rinse Insert	
15	223/00102/05	Softener Spray Nozzle	
16	B12310305	Siphon Break Hose	
17	223/00013/00	Hose Clamp	
18	223/00260/00	Siphon Break Dispenser Hose	*14, *18, *65, *74 and *75 models
	223/00261/00	Soap Dispenser Hose	*25 and *100 models
19	223/00250/00	Liquid Soap Manifold	
20	223/00010/00	Hose Clamp	
21	223/00102/30	Soap Dispenser Assembly	

Supply Dispenser - Models with Rectangular Ventilation Opening

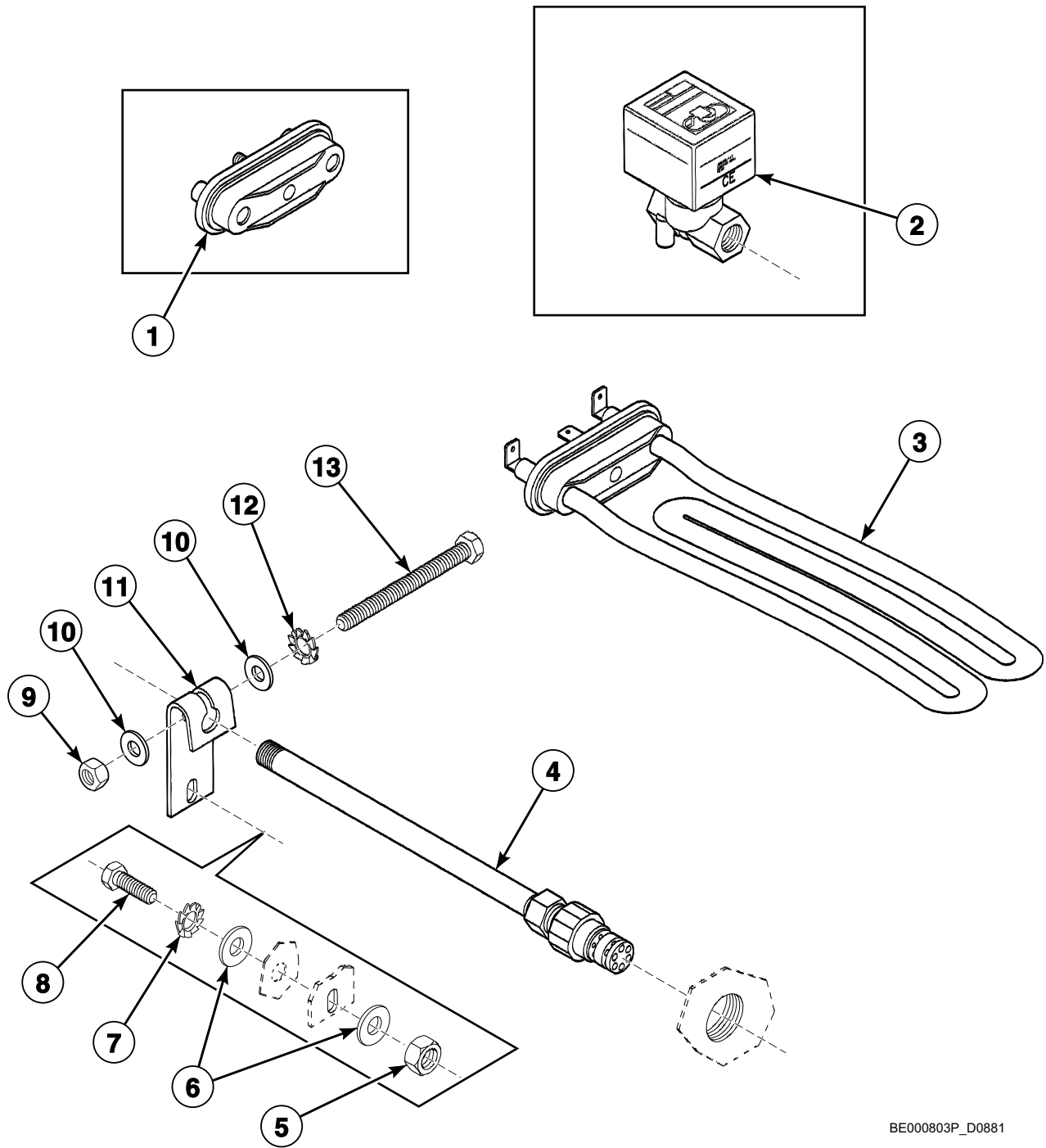


CFD323P_D0881

Supply Dispenser - Models with Rectangular Ventilation Opening

REF	PART NO.	DESCRIPTION	COMMENTS
1	223/00226/00	Vent Tube	
2	223/00229/00	Vent Tube	
3	223/00222/00	Soap Dispenser	
4	223/00245/00	Shrink Fit	
5	B12347501	Screw	
6	223/00102/06	Soap Spray Nozzle	
7	223/00222/60	Outer and Inner Box Kit	
8	123/00107/00	Anti-Splash Plate	Sigma control models
	123/00103/06	Soap Box Assembly Plate	All other models
9	223/00109/00	Soap Dispenser Gasket	
10	223/00044/00	Water Hose	
11	223/00010/00	Hose Clamp	
12	B12350903	Screw	
13	223/00195/00	Dispenser Drain Funnel	
14	223/00013/00	Hose Clamp	
15	223/00265/00	Siphon Break Hose	*25 and *100 models
	223/00266/00	Siphon Break Hose	*14, *18, *65, *74 and *75 models
16	223/00260/00	Siphon Break Dispenser Hose	*14, *18, *65, *74 and *75 models
	223/00261/00	Soap Dispenser Hose	*25 and *100 models
17	223/00250/00	Liquid Soap Manifold	
18	223/00222/05	Rinsing Box	
19	223/00222/04	Siphon Break	
20	223/00222/03	Softener Spray Nozzle	

Steam and Electric Heating Options

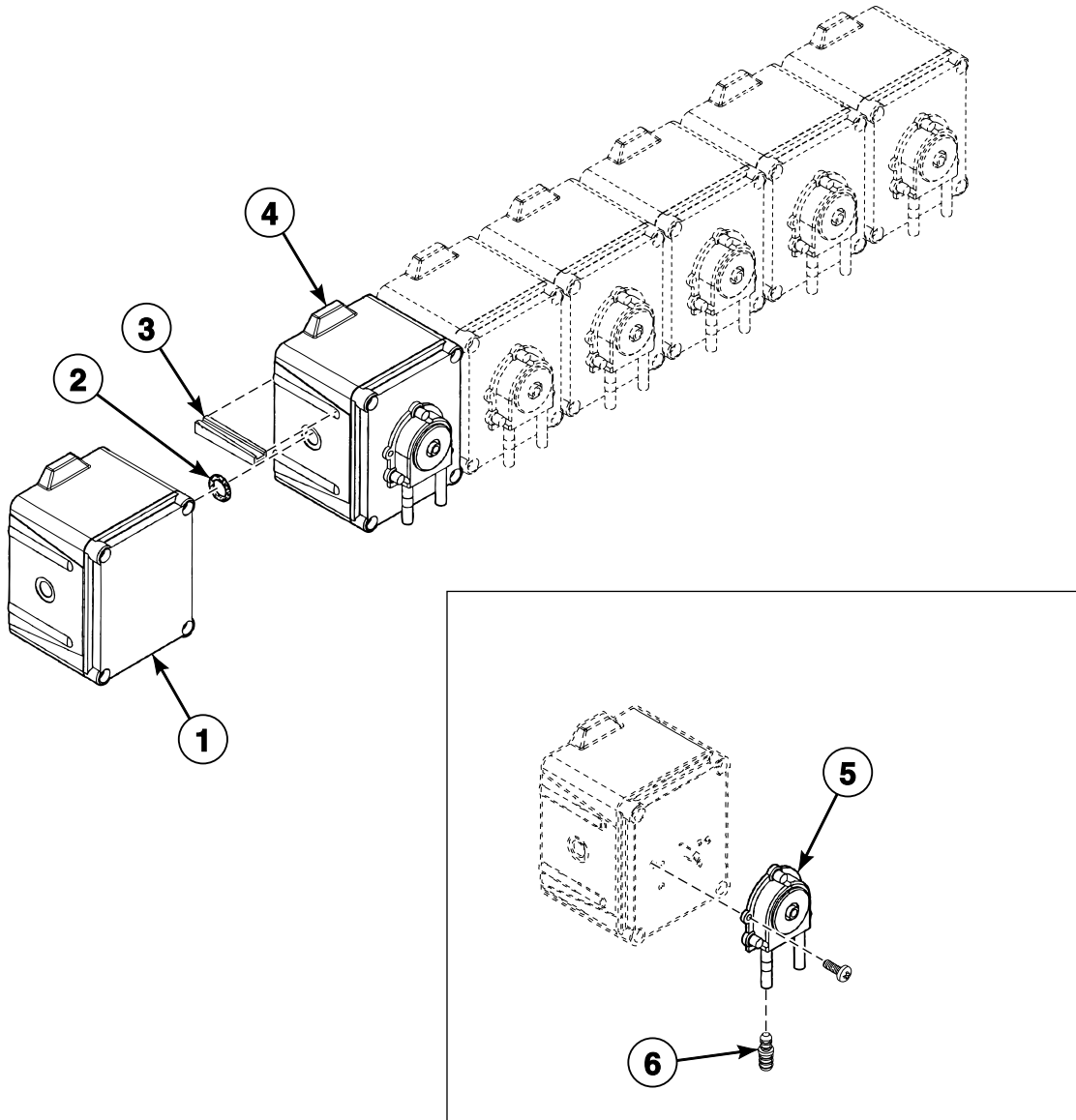


BE000803P_D0881

Steam and Electric Heating Options

REF	PART NO.	DESCRIPTION	COMMENTS
	919P3	Steam Heat Kit	*14 and *65 models
	921P3	Steam Heat Kit	*18, *25, *74, *75 and *100 models
1	209/00196/00	Heating Element Plug	
2	209/00477/00	Steam Valve	
3	209/00581/10	Heating Element	4000W; 380 Volt
	209/00562/20	Heating Element	3000W; 220/240 Volt
	209/00563/20	Heating Element	2000W; 220/240 Volt
	209/00564/20	Heating Element	1400W; 220/240 Volt
4	118/00084/00	Steam Injector	*14 and *65 models
	118/00085/00	Steam Injector	*18, *25, *74, *75 and *100 models
5	204/00005/00	Nut	
6	201/00007/00	Washer	
7	203/00004/00	Washer	
8	206/00013/00	Bolt	
9	204/00004/00	Nut	
10	202/00002/00	Washer	
11	113/00025/00	Steam Injector Plate Assembly	
12	203/00003/00	Washer	
13	206/00035/00	Bolt	

Soap Pumps



BE000527AP_D0881

Soap Pumps

REF	PART NO.	DESCRIPTION	COMMENTS
1	209/00554/01	Soap Pump Assembly	1 pump and 1 feeding pump
	209/00554/02	Soap Pump Assembly	2 pumps and 1 feeding pump
	209/00554/03	Soap Pump Assembly	3 pumps and 1 feeding pump
	209/00554/04	Soap Pump Assembly	4 pumps and 1 feeding pump
	209/00554/05	Soap Pump Assembly	5 pumps and 1 feeding pump
	209/00554/06	Soap Pump Assembly	6 pumps and 1 feeding pump
	209/00554/51	Feeding Liquid Soap Dosing Pump	
2	209/00554/52	Liquid Soap Dosing Pump O-Ring	
3	209/00554/53	Liquid Soap Dosing Pump Connection Piece	
4	209/00554/50	Pump	
5	209/00554/98	Hose	
6	209/00554/99	Hose Connector	