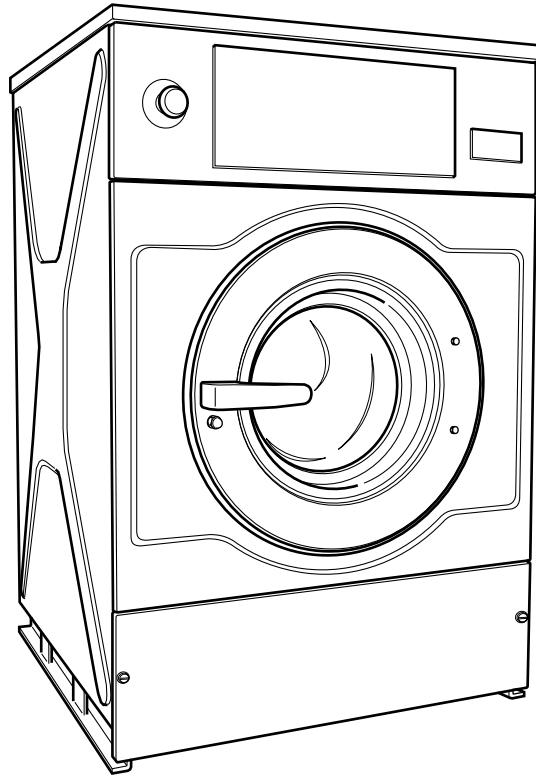


Washer-Extractor

Pocket Hardmount

Refer to Page 5 for Model Numbers





CHM2097N_D0887



Model Identification

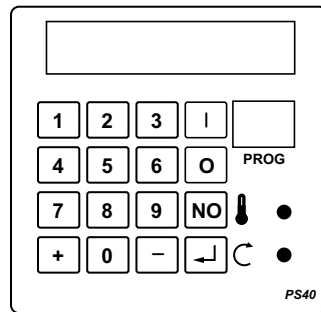
Information in this manual is applicable to these washer-extractor models:

CWF055AN2	IWF235AN2	WF235_CYGNUS-COMM_COIN
CWF055MN2	IWF235MC2	WF235_CYGNUS-COMM_OPL
CWF075AN2	IWF235MD2	WF235_CYGNUS-PREM_COIN
CWF075MN2	IWF235ME2	WF235_CYGNUS-PREM_OPL
CWF090MN2	IWF235ML2	WF235_CYGNUS-PRO
IWF055AN2	IWF235MN2	WF235_CYGNUS-STANDARD_COIN
IWF055MC2	IWF235MX2	WF235_CYGNUS-STANDARD_OPL
IWF055MD2	IWF235MY2	WF235_MICRO-20_COIN
IWF055ME2	IWF235SC2	WF235_MICRO-20_OPL
IWF055ML2	IWF235SD2	WF235_PS40F
IWF055MN2	IWF235SE2	WF235_SIGMA_COIN
IWF055MX2	IWF235SL2	WF235_SIGMA_OPL
IWF055MY2	IWF235SR2	WF305_CYGNUS-COMM_COIN
IWF055SC2	IWF235SX2	WF305_CYGNUS-COMM_OPL
IWF055SD2	IWF235SY2	WF305_CYGNUS-PREM_COIN
IWF055SE2	IWF235ZN2	WF305_CYGNUS-PREM_OPL
IWF055SL2	IWF305AN2	WF305_CYGNUS-PRO
IWF055SR2	IWF305MC2	WF305_CYGNUS-STANDARD_COIN
IWF055SX2	IWF305MD2	WF305_CYGNUS-STANDARD_OPL
IWF055SY2	IWF305ME2	WF305_MICRO-20_COIN
IWF075AN2	IWF305ML2	WF305_MICRO-20_OPL
IWF075MC2	IWF305MN2	WF305_PS40F
IWF075MD2	IWF305MX2	WF305_SIGMA_COIN
IWF075ME2	IWF305MY2	WF305_SIGMA_OPL
IWF075ML2	IWF305SC2	WF400_CYGNUS-COMM_COIN
IWF075MN2	IWF305SD2	WF400_CYGNUS-COMM_OPL
IWF075MX2	IWF305SE2	WF400_CYGNUS-PREM_COIN
IWF075MY2	IWF305SL2	WF400_CYGNUS-PREM_OPL
IWF075SC2	IWF305SR2	WF400_CYGNUS-PRO
IWF075SD2	IWF305SX2	WF400_CYGNUS-STANDARD_COIN
IWF075SE2	IWF305SY2	WF400_CYGNUS-STANDARD_OPL
IWF075SL2	IWF305ZN2	WF400_MICRO-20_COIN
IWF075SR2	IWF400AN2	WF400_MICRO-20_OPL
IWF075SX2	IWF400MC2	WF400_PS40F
IWF075SY2	IWF400MD2	WF400_SIGMA_COIN
IWF090AN2	IWF400ME2	WF400_SIGMA_OPL
IWF090MC2	IWF400ML2	
IWF090MD2	IWF400MN2	
IWF090ME2	IWF400MX2	
IWF090ML2	IWF400MY2	
IWF090MN2	IWF400SC2	
IWF090MX2	IWF400SD2	
IWF090MY2	IWF400SE2	
IWF090SC2	IWF400SL2	
IWF090SD2	IWF400SR2	
IWF090SE2	IWF400SX2	
IWF090SL2	IWF400SY2	
IWF090SR2	IWF400ZN2	
IWF090SX2		
IWF090SY2		

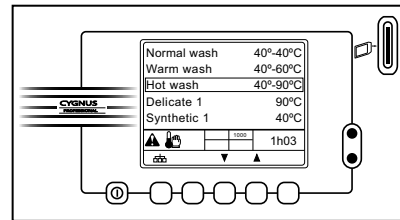
Pocket Hardmount Washer-Extractor Product Overview

Type:	WFF75C	Nr: 07110WD0339
Voltage:	3 ~ 400V 50Hz	Weight: 181 kg
Motor:	0.55kW 2.5A	Capacity: 73 L
Heating:	9kW 16A	Dry Load: 7,3 kg
Total:	9.55 kW	Drum: 530 mm
Kinetic energy:	592 Nm	Speed: 700 rpm
Manufactured in:	2007	
Water Pressure: min. 2.07 max. 5.86 Kg/cm ² IPX4 min. 20.7 max. 58.6 N/cm ²		
sfc 741837		
 Alliance International BVBA Nieuwstraat 146 8560 Wevelgem Belgium Tel: +32 56 41 20 54 Fax: +32 56 41 86 74 www.ipso.be		

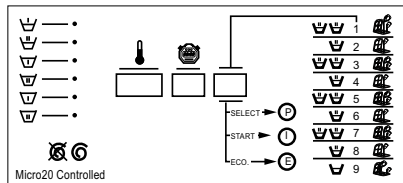
Model No:	IWF018MNMX10U01	Serial No: 07110WD0152
Volts Hertz:	208-240 50/60	Type: WFF75
Phase:	1 - 3	
Amps:	6 amps	Capacity: 18/7 lbs/kg
Recommended Circuit Breaker:	15 amps	Water: 30-85 psi
Interrupt Current:	10 kA	Pressure: 2.07-5.86 bar
Motor:	1 hp 0,75 kW	Max Speed: 700 rpm
Elec Heat:	N/A kW	Net Weight: 400 lbs 181 kg
Steam heat:	N/A psi N/A bar	IPX4
Alliance International BVBA Made in Belgium		
 TEL 1-920-748-3121 www.comlaundry.com		100740 CONFORMS TO ANSI/UL STD 2157 CERTIFIED TO CAN/CSA STD C22.2 NO.169-94



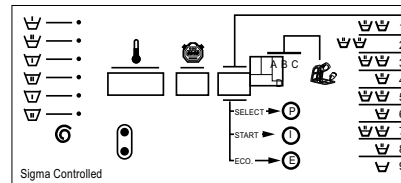
PS40



Cygnus Professional



Micro 20



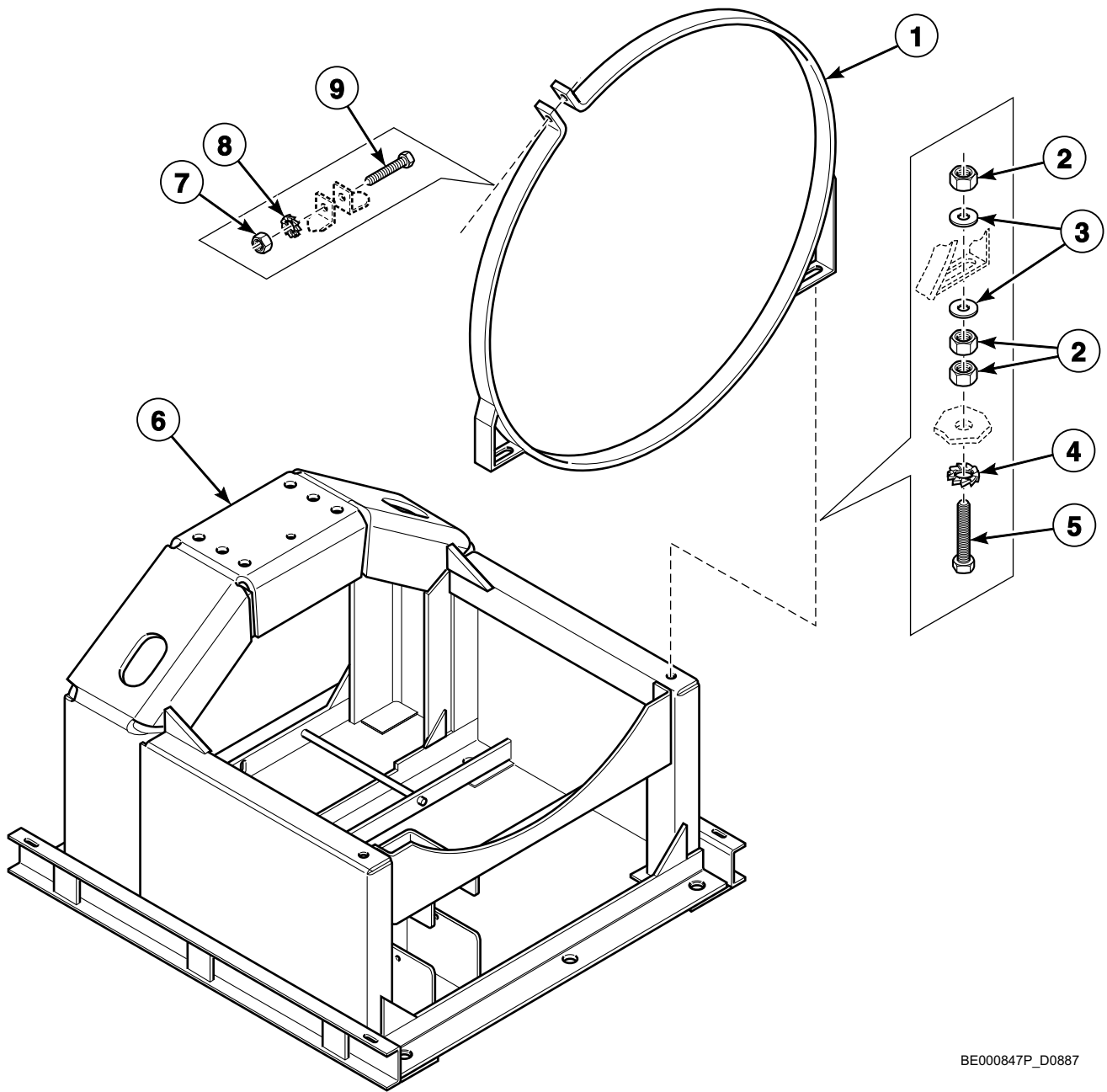
Sigma

CHM3066P_D0887

Pocket Hardmount Washer-Extractor Product Overview

REF	PART NO.	DESCRIPTION	COMMENTS
1	-	Product Family	CWF IWF WF
2	-	Capacity	055 075 090 235 305 400
3	-	Control	A (PS40F) Cygnus-Comm Cygnus-Prem Cygnus-Standard M (Micro-20) S (Sigma) Z (Cygnus-Pro)
4	-	Actuation	C (Coin Drop Meter) D (Dual Coin Drop) E (Electronic Drop) L (Prep for Remote or Central Pay) N (Non-Coin) R (Smart Card Ready) X (Prep for Coin) Y (Card Ready)
5	-	Speed	M (Medium Spin)
6	-	Voltage	N (440-480/50-60/3/3) P (380-415/50-60/3/3) Q (208-240/50-60/3/3) X (200-240/50-60/1/3)
7	-	Design	1

Frame - *55 and *235 Models Through 1/17/10

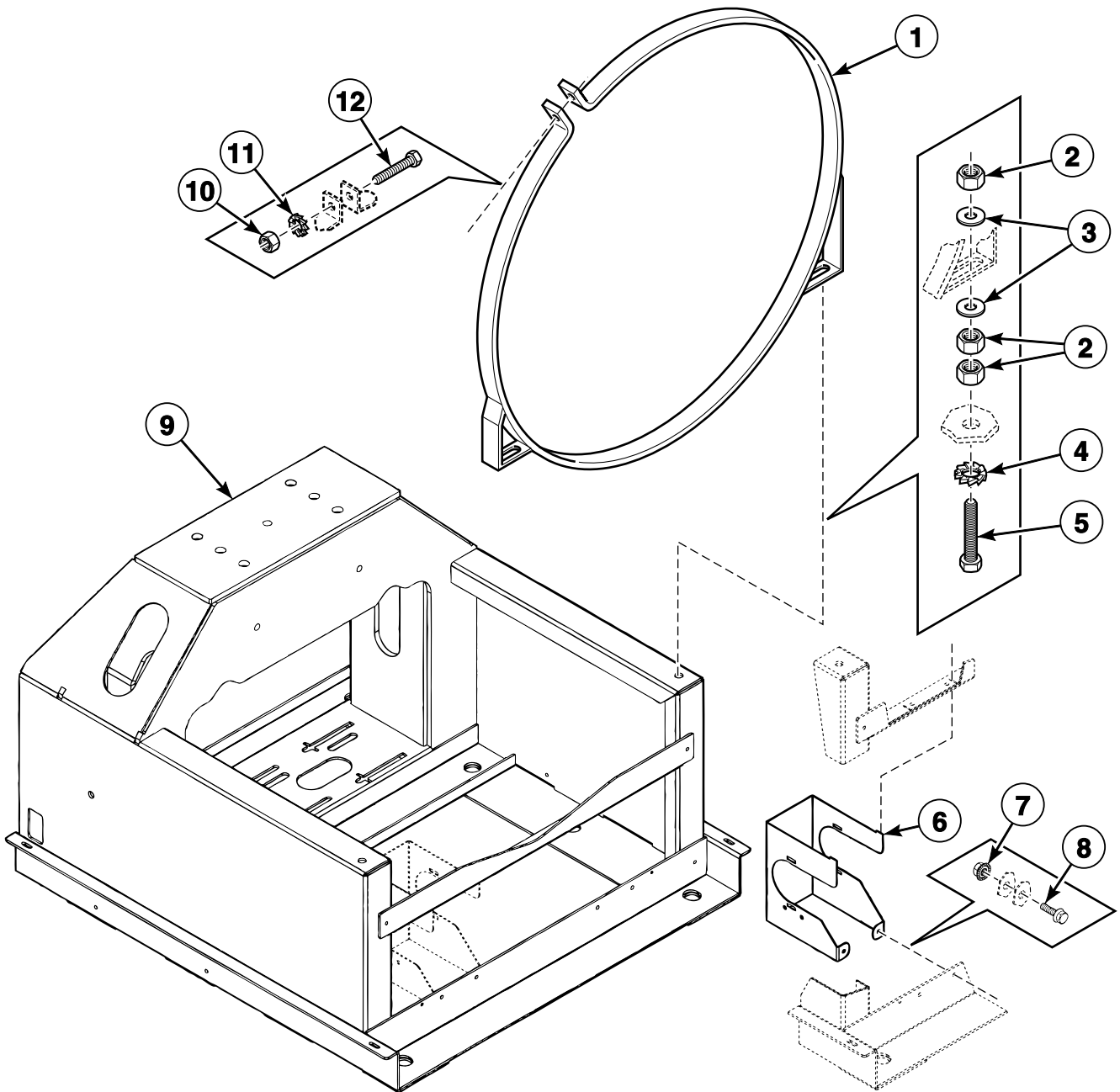


BE000847P_D0887

Frame - *55 and *235 Models Through 1/17/10

REF	PART NO.	DESCRIPTION	COMMENTS
1	212/00116/00	Tub Fastening Ring	
2	204/00002/00	Nut	
3	201/00005/00	Washer	
4	203/00001/00	Washer	
5	206/00079/00	Bolt	
6	212/00111/50	Chassis	
7	204/00004/00	Nut	
8	203/00003/00	Washer	
9	206/00007/00	Screw	

Frame - *55 and *235 Models Starting 1/18/10

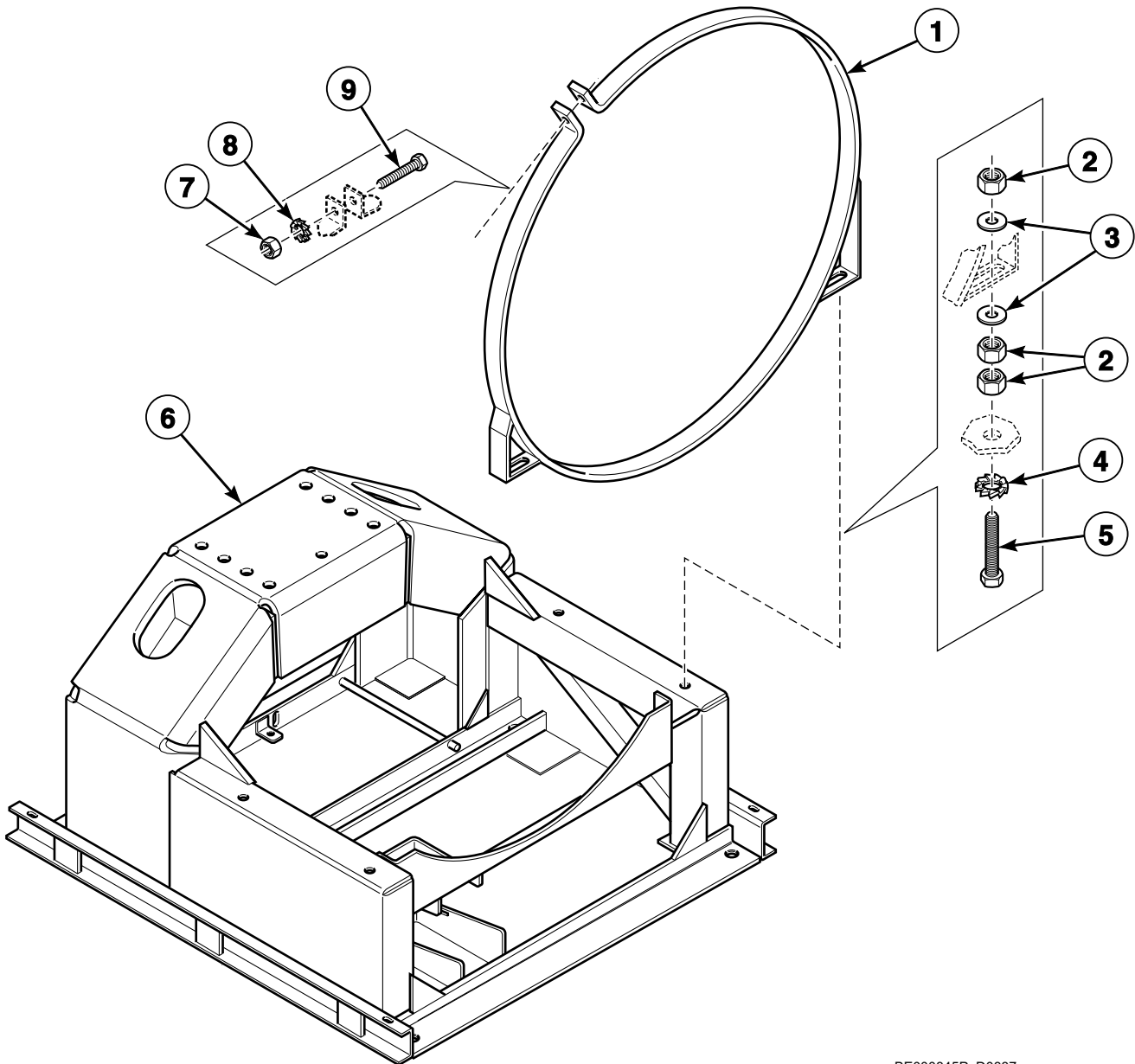


BE000847AP_D0887

Frame - *55 and *235 Models Starting 1/18/10

REF	PART NO.	DESCRIPTION	COMMENTS
1	212/00116/00	Tub Fastening Ring	
2	204/00002/00	Nut	
3	201/00005/00	Washer	
4	203/00001/00	Washer	
5	206/00079/00	Bolt	
6	212/00120/01	Drain Valve Support	
7	206/00101/00	Nut	
8	206/00099/00	Bolt	
9	212/00120/00	Chassis	
10	204/00004/00	Nut	
11	203/00003/00	Washer	
12	206/00007/00	Screw	

Frame - *75, *90, *305 and *400 Models

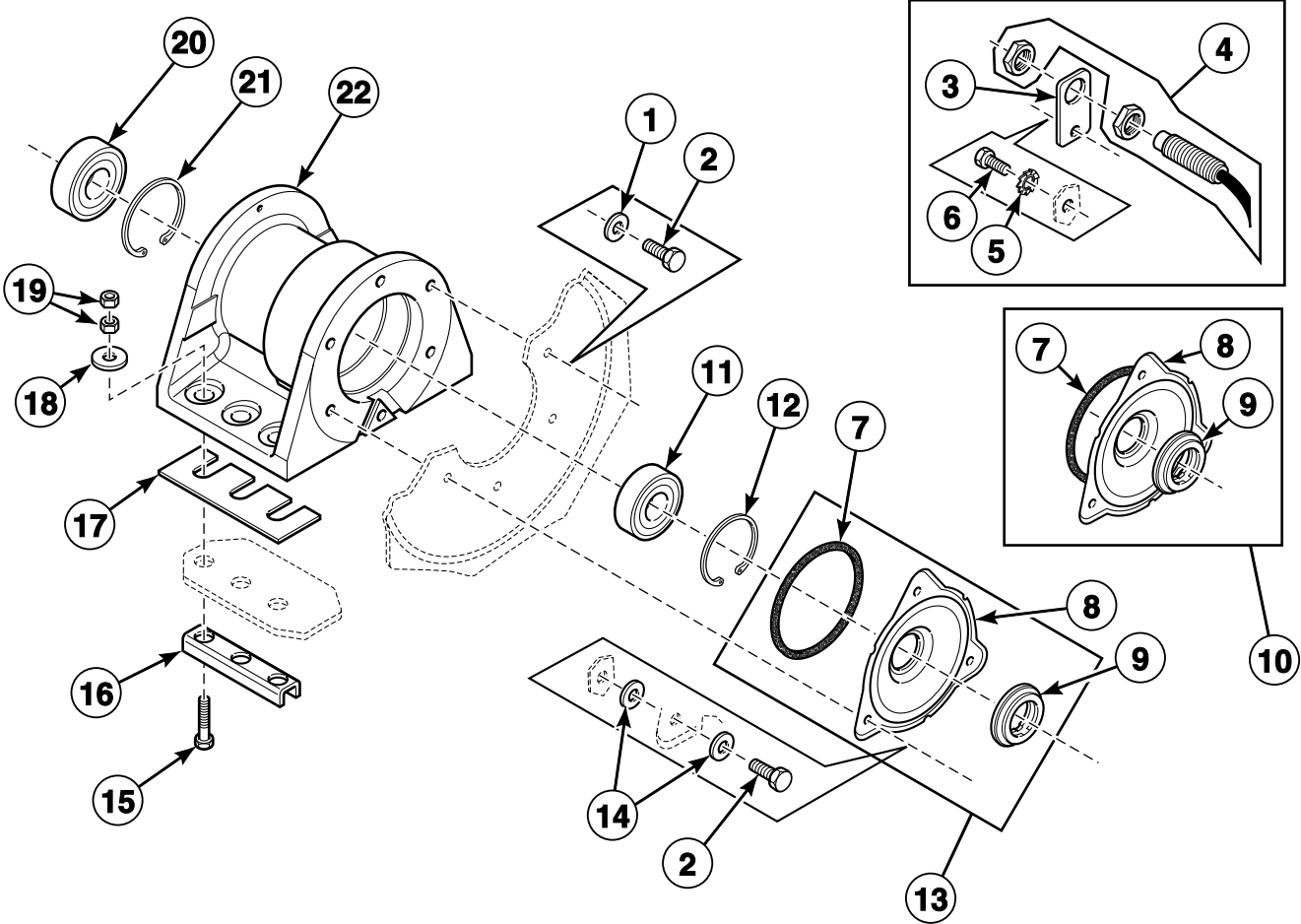


BE000845P_D0887

Frame - *75, *90, *305 and *400 Models

REF	PART NO.	DESCRIPTION	COMMENTS
1	212/00117/00	Tub Fastening Ring	
2	204/00002/00	Nut	
3	201/00005/00	Washer	
4	203/00001/00	Washer	
5	206/00079/00	Bolt	
6	212/00112/50	Chassis	*75 and *305 models
	212/00119/03	Frame	*90 and *400 models
7	204/00004/00	Nut	
8	203/00003/00	Washer	
9	206/00007/00	Screw	

Bearing Housing - *55 and *235 Models Through 1/30/11

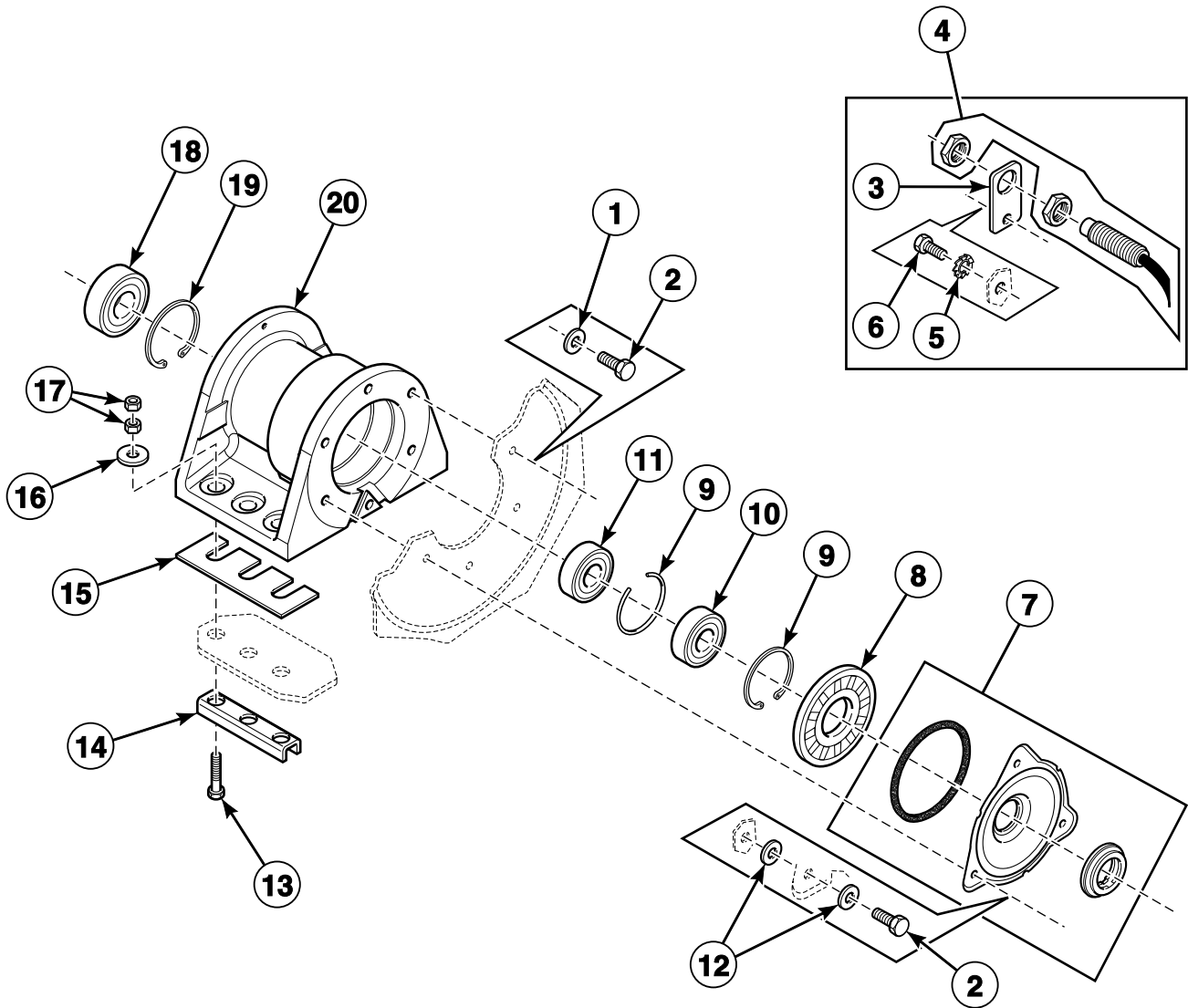


BE000827AP_D0887

Bearing Housing - *55 and *235 Models Through 1/30/11

REF	PART NO.	DESCRIPTION	COMMENTS
	891P3	Bearing Replacement Kit	Includes items 1, 2, 10, 11, 20, 219/00004/00 Counter Ring, 223/00242/40 Tub Front Panel Gasket and F8388601P Deflector Inlet
	382P3	Bearing Replacement Tool Kit	
1	201/00201/00	Washer	
2	205/00102/00	Bolt	
3	152/00055/00	Speed Detector Bracket	
4	210/00075/00	Speed Detector	
5	203/00004/00	Washer	
6	205/00104/00	Bolt	
7	217/00002/00	O-Ring	Used with B12327101 Cylinder and Shaft Assembly
8	219/00001/00	Seal Cover	Used with B12327101 Cylinder and Shaft Assembly
9	219/00003/00	Shaft Seal	Used with B12327101 Cylinder and Shaft Assembly
10	119/00001/01	Seal Holder Assembly	
11	212/00004/00	Ball Bearing	
12	212/00006/00	Retainer Ring	
13	B12333701	Seal Plate Assembly	Used with B12380901 Basket (3 mm) and B12381001 Basket (9 mm)
14	201/00201/00	Washer	
15	206/00093/00	Bolt	
16	113/00067/00	U-Piece Assembly	
17	113/00017/01	Bearing Housing Plate	1 mm
	113/00017/02	Bearing Housing Plate	2 mm
18	201/00001/00	Washer	
19	204/00010/00	Nut	
20	212/00024/00	Ball Bearing	
21	212/00037/00	Retainer Ring	
22	212/10104/00	Bearing Housing Assembly	Includes items 11 and 20
	212/00104/00	Bearing Housing Assembly	

Bearing Housing - *55 and *235 Models Starting 1/31/11

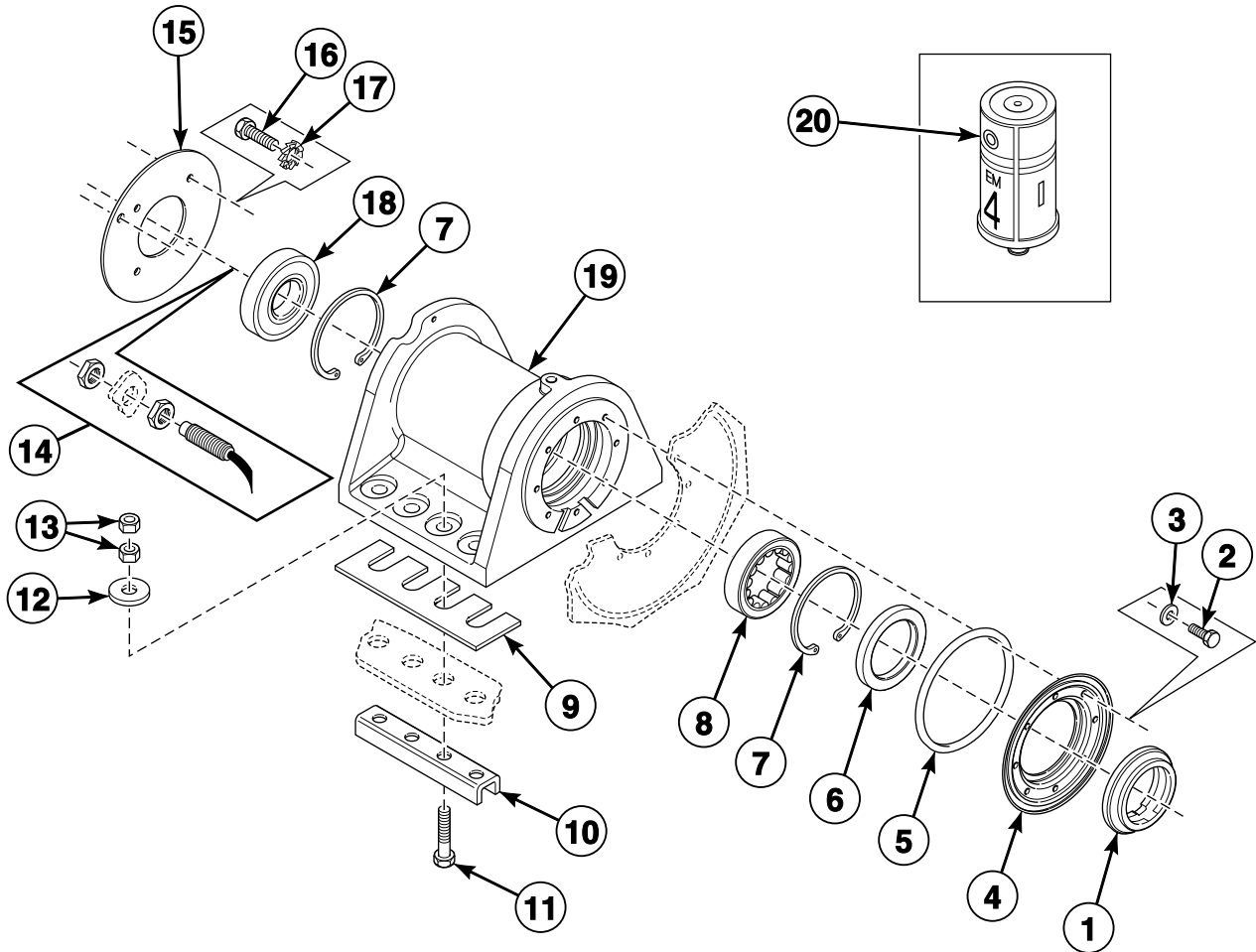


CFD545P_D0887

Bearing Housing - *55 and *235 Models Starting 1/31/11

REF	PART NO.	DESCRIPTION	COMMENTS
	381P3	Bearing Replacement Tool Kit	
	3884P	Bearing and Seal Kit	Includes items 1, 2, 7, 8, 10, 11, 223/00242/10 Gasket and 219/00004/00 Counter Ring
1	201/00201/00	Washer	
2	205/00102/00	Bolt	
3	152/00055/00	Speed Detector Bracket	
4	210/00075/00	Speed Detector	
5	203/00004/00	Washer	
6	205/00104/00	Bolt	
7	B12333701	Seal Plate Assembly	Used with B12380901 Basket and B12381001 Basket
8	B12332301	Lip Seal	
9	212/00006/00	Retainer Ring	
10	F100134	Bearing	
11	212/00004/00	Ball Bearing	
12	201/00201/00	Washer	
13	206/00093/00	Bolt	
14	113/00067/00	U-Piece Assembly	
15	113/00017/01	Bearing Housing Plate	1 mm
	113/00017/02	Bearing Housing Plate	2 mm
16	201/00001/00	Washer	
17	204/00010/00	Nut	
18	212/00024/01	Ball Bearing	
19	212/00037/00	Retainer Ring	
20	212/00104/01	Bearing Housing Assembly	

Bearing Housing - *75, *90, *305 and *400 Models

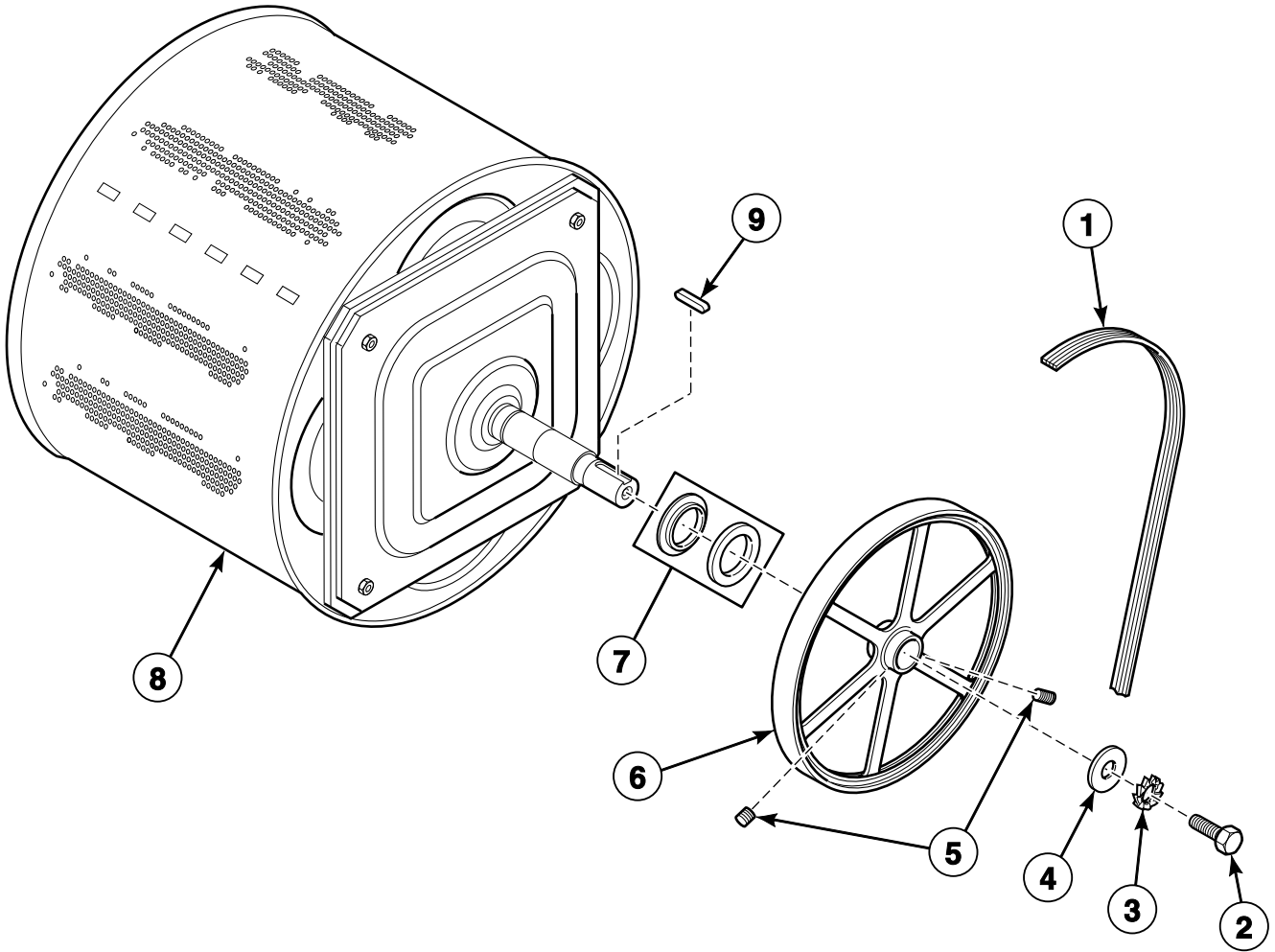


BE000846AP_D0887

Bearing Housing - *75, *90, *305 and *400 Models

REF	PART NO.	DESCRIPTION	COMMENTS
	892P3	Bearing Replacement Kit	
	382P3	Bearing Replacement Tool Kit	
1	231/00037/00	Shaft Seal	
2	205/00104/00	Bolt	
3	201/00202/00	Washer	
4	131/00035/00	Seal Cover Plate	
	131/00035/01	Seal Holder Assembly	Includes item 1
5	231/00036/00	O-Ring	
6	212/00007/00	Grease Ring	
7	212/00006/00	Retainer Ring	
8	212/00005/00	Roller Bearing	
9	113/00018/01	Bearing Housing Plate	1 mm
	113/00018/02	Bearing Housing Plate	2 mm
10	113/00068/00	U-Piece Assembly	
11	206/00093/00	Bolt	
12	201/00001/00	Washer	
13	204/00010/00	Nut	
14	210/00075/00	Speed Detector	
15	112/00003/00	Bearing Cover	
16	206/00010/00	Bolt	
17	203/00003/00	Washer	
18	212/00004/00	Ball Bearing	
19	212/00103/01	Bearing Housing	
	212/00103/00	Bearing Housing Assembly	Includes items 8 and 18
20	212/00002/00	Lubricator	

Basket, Pulley and Belt - *55 and *235

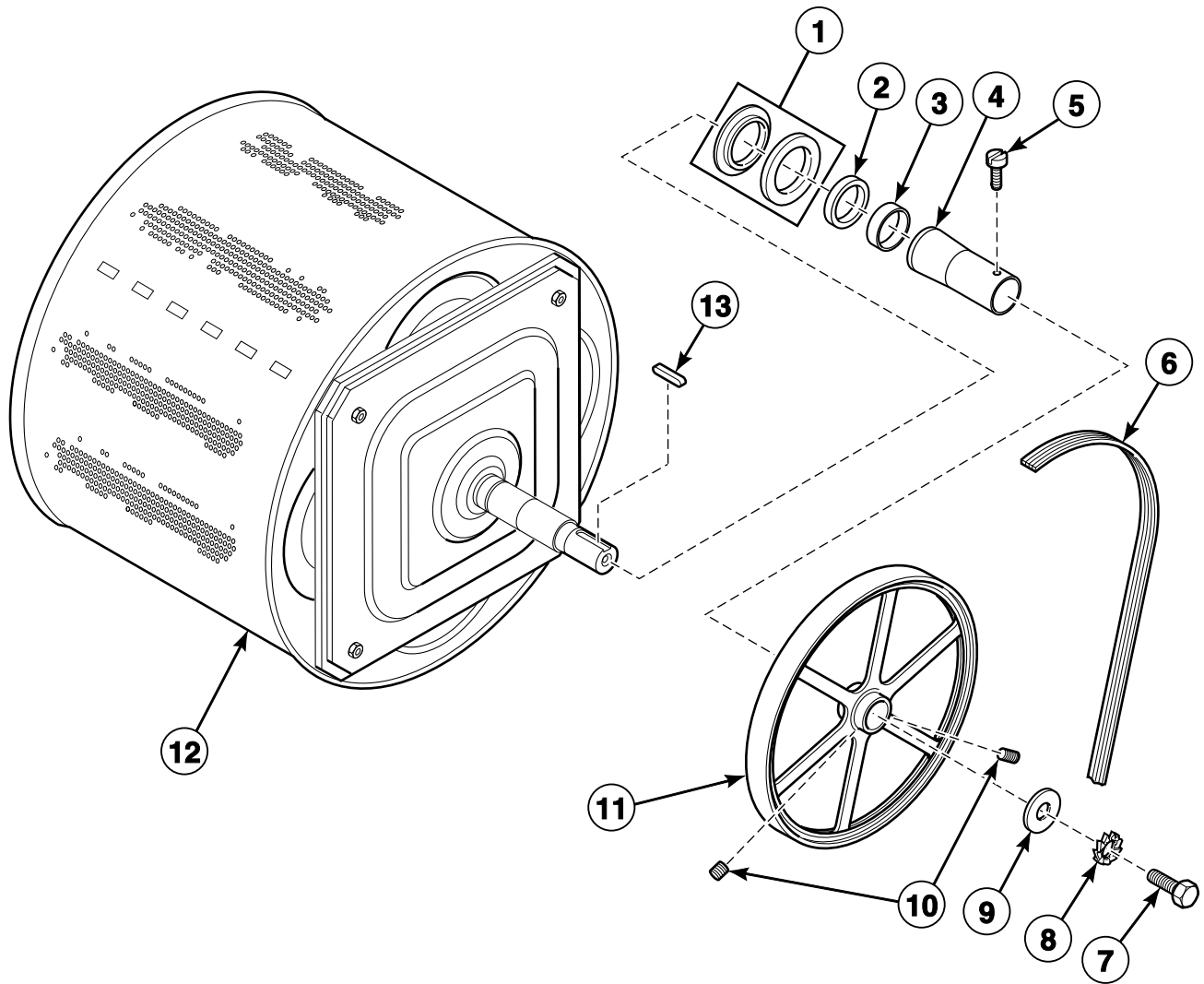


BE000848P_D0887

Basket, Pulley and Belt - *55 and *235

REF	PART NO.	DESCRIPTION	COMMENTS
1	226/00139/00	Belt	
2	206/00004/00	Bolt	
3	203/00001/00	Washer	
4	201/00011/00	Washer	
5	206/00056/00	Screw	
6	226/00142/00	Drum Pulley	
7	219/00004/00	Counter Ring	
8	B12543201	Basket Kit	Models through 1/30/11; Includes B12380901 Basket and 3884P Bearing and Seal Kit
	B12380901	Basket	Models starting 1/31/11; 3 mm; Used with B12333701 Seal Plate Assembly
	B12381001	Basket	Models starting 1/31/11; 9 mm; Used with B12333701 Seal Plate Assembly
9	212/00026/00	Key	

Basket, Pulley and Belt - *75, *90, *305 and *400 Models

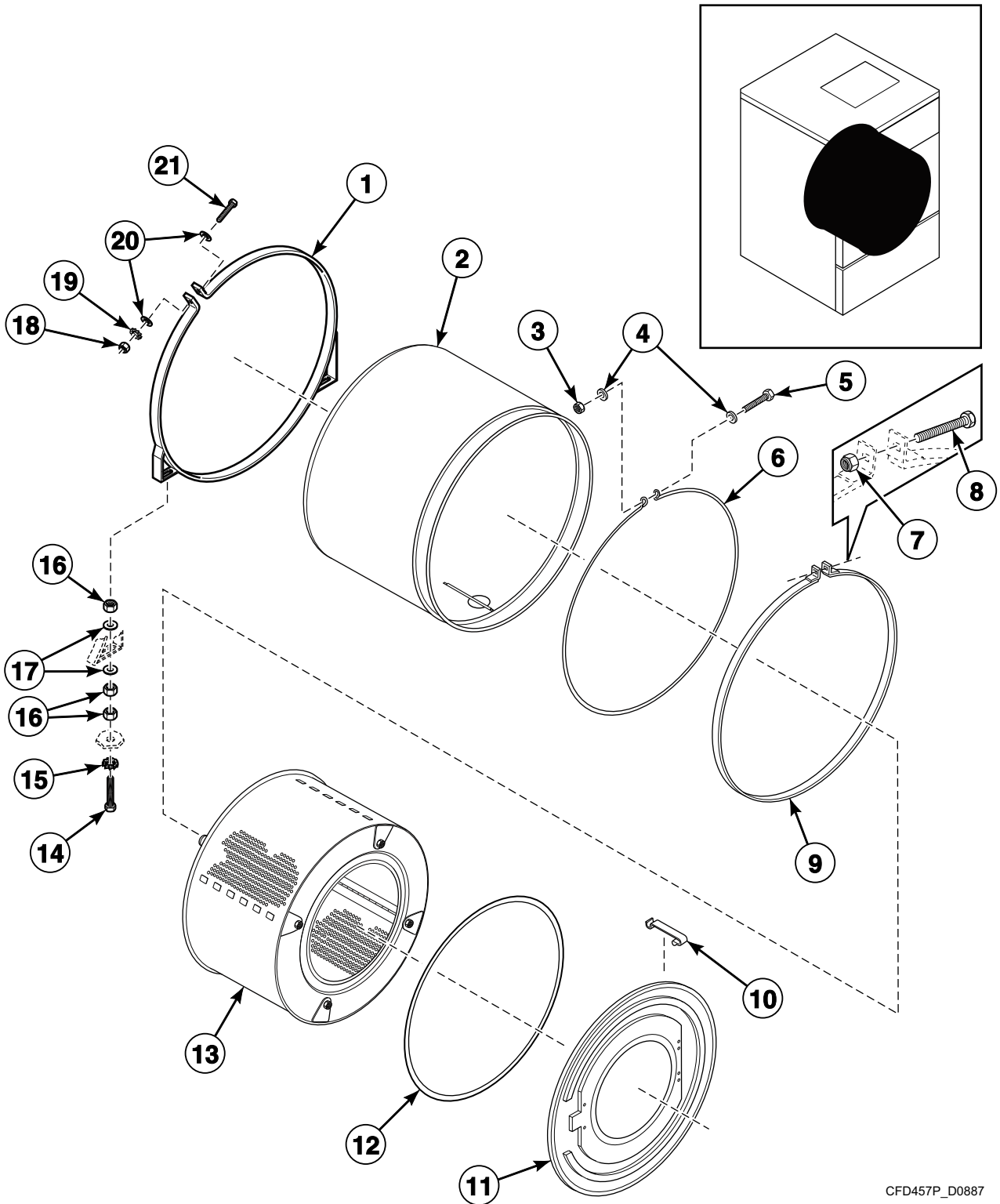


BE000850P_D0887

Basket, Pulley and Belt - *75, *90, *305 and *400 Models

REF	PART NO.	DESCRIPTION	COMMENTS
1	232/00008/00	Counter Ring	
2	132/00009/00	Shaft Seal	
3	212/00005/00	Roller Bearing	
4	232/00020/00	Bearing Spacer	
5	207/00004/00	Screw	
6	226/00139/00	Belt	
7	206/00004/00	Bolt	
8	203/00001/00	Washer	
9	201/00011/00	Washer	
10	206/00056/00	Screw	
11	226/00142/00	Drum Pulley	
12	B12327301	Drum	*75 and *305 models
	132/10009/00	Drum	*90 and *400 models
13	212/00026/00	Key	

Shell and Basket - *55 and *235 Models

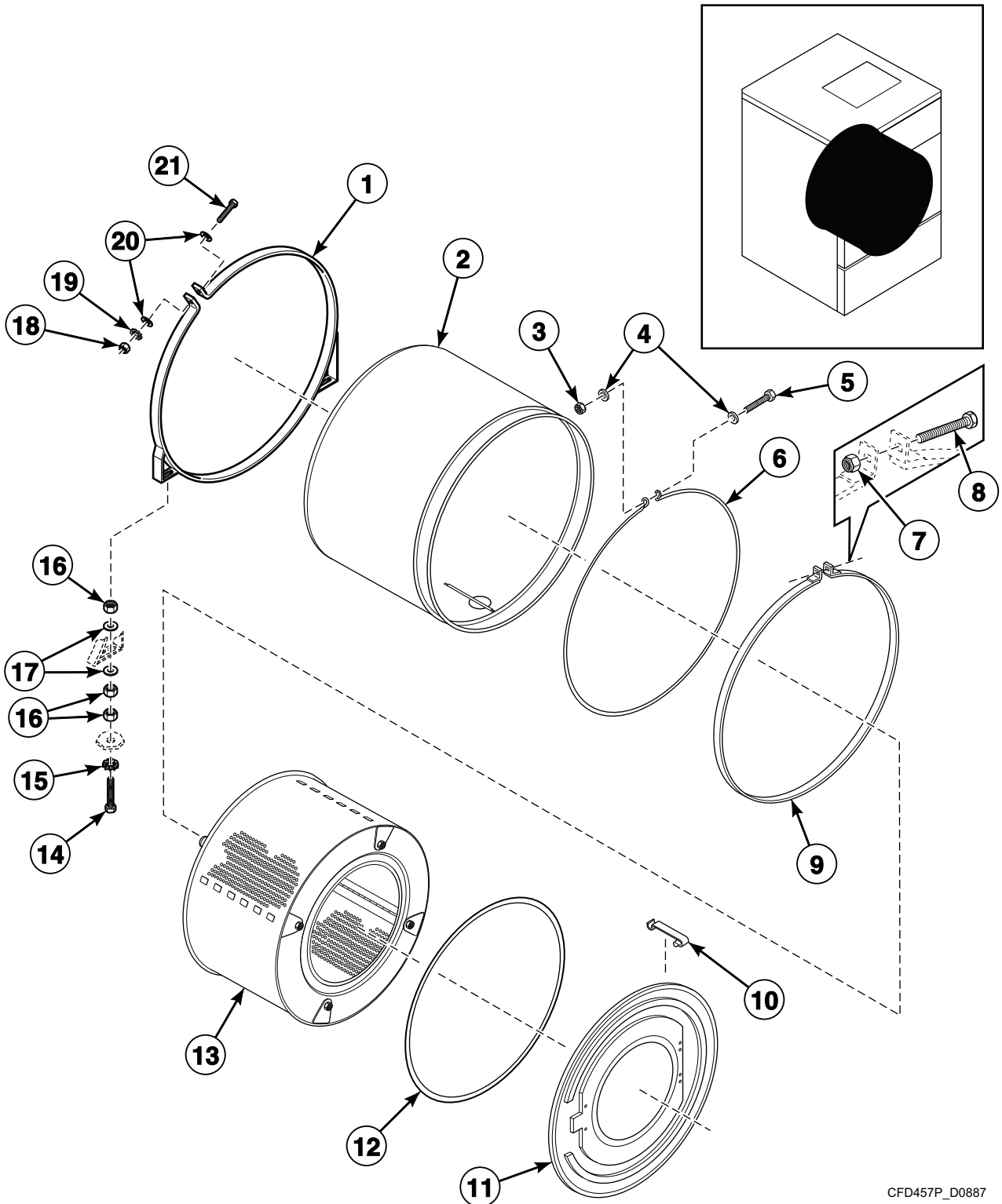


CFD457P_D0887

Shell and Basket - *55 and *235 Models

REF	PART NO.	DESCRIPTION	COMMENTS
1	212/00116/00	Tub Fastening Ring	
2	B12328901	Tub	Electric heat; Before Serial No. 10080JW0339
	B12331101	Tub	Electric heat; Starting Serial No. 10080JW0339
	B12329001	Tub	Hot water; Before Serial No. 10080JW0339
	B12331201	Tub	Hot water; Starting Serial No. 10080JW0339
	B12331301	Tub	Steam
3	204/00009/00	Nut	
4	201/00007/00	Washer	
5	206/00032/00	Bolt	
6	238/00011/00	Tub Clamp Ring	
7	204/00111/00	Nut	
8	206/00066/00	Bolt	
9	137/00008/00	Tub Mounting Strap	
10	217/00008/00	Tub Front Panel Clip	
11	138/00001/00	Tub Front	
12	B12351601	Tub Front Gasket	
13	B12543201	Basket Kit	Models through 1/30/11; Includes B12380901 Basket and 3884P Bearing and Seal Kit
	B12380901	Basket	Models starting 1/31/11; 3 mm; Used with B12333701 Seal Plate Assembly
	B12381001	Basket	Models starting 1/31/11; 9 mm; Used with B12333701 Seal Plate Assembly
14	206/00029/00	Bolt	
15	203/00001/00	Washer	
16	204/00002/00	Nut	
17	201/00009/00	Washer	
18	204/00003/00	Nut	
19	203/00002/00	Washer	
20	201/00005/00	Washer	
21	206/00052/00	Bolt	

Shell and Basket - *75, *90, *305 and *400 Models

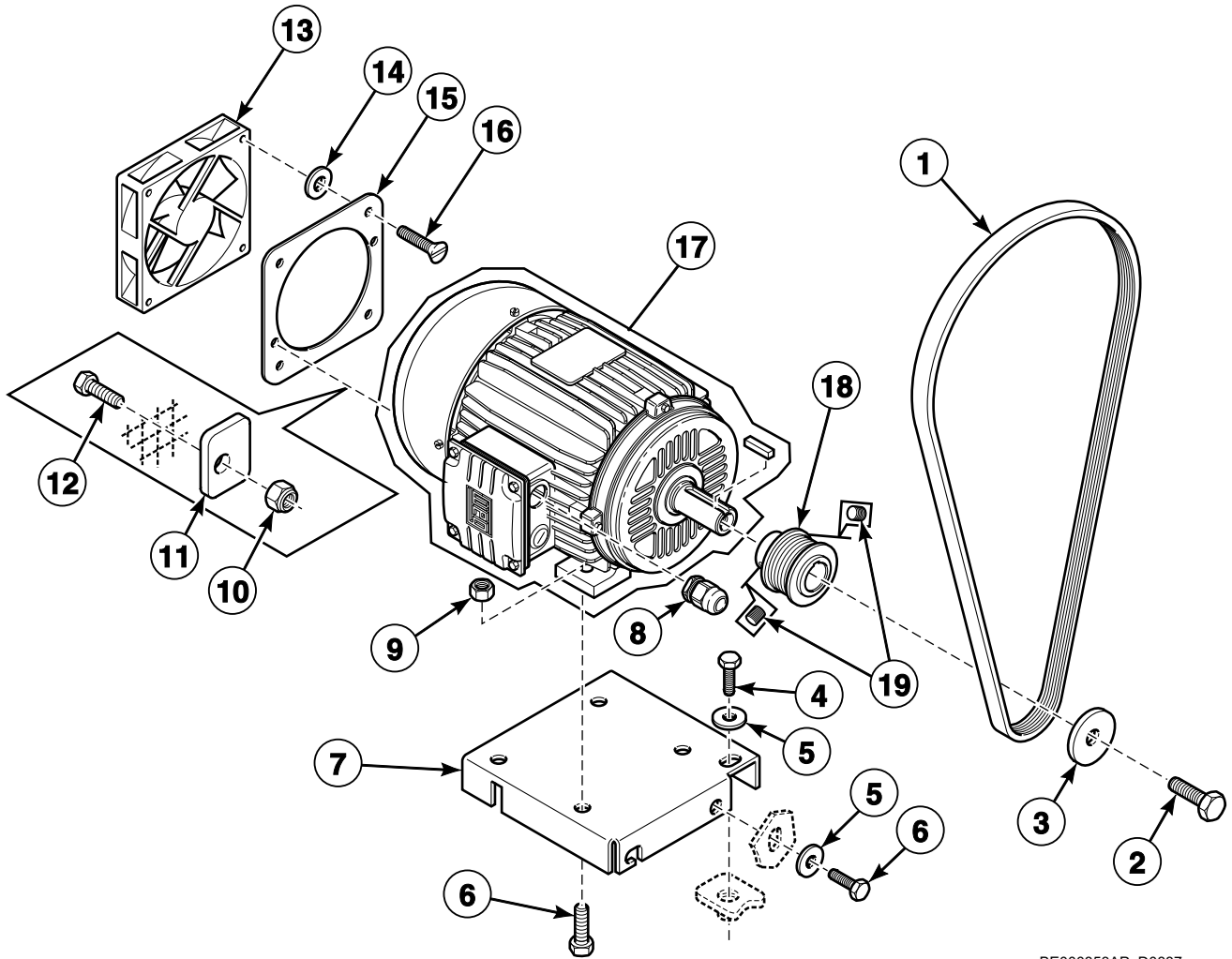


CFD457P_D0887

Shell and Basket - *75, *90, *305 and *400 Models

REF	PART NO.	DESCRIPTION	COMMENTS
1	212/00117/00	Tub Fastening Ring	
2	B12331401	Tub	*75 and *305 models; Electric heat
	B12331501	Tub	*75 and *305 models; Hot water
	B12331601	Tub	*75 and *305 models; Steam
	131/00059/00	Tub	*90 and *400 models; Electric heat
	131/00059/50	Drum	*90 and *400 models; Boiler fed
	131/00059/60	Tub	*90 and *400 models; Steam
3	204/00009/00	Nut	
4	201/00007/00	Washer	
5	206/00032/00	Bolt	
6	231/00010/00	Tub Front Ring Clamp	
7	204/00111/00	Nut	
8	206/00066/00	Bolt	
9	131/00010/00	Tub Strap	
10	217/00008/00	Tub Front Panel Clip	
11	131/00002/00	Front Panel	
12	223/00242/00	Tub Front Gasket	
13	B12327301	Drum	*75 and *305 models
	132/10009/00	Drum	*90 and *400 models
14	206/00029/00	Bolt	
15	203/00001/00	Washer	
16	204/00002/00	Nut	
17	201/00009/00	Washer	
18	204/00003/00	Nut	
19	203/00002/00	Washer	
20	201/00005/00	Washer	
21	206/00052/00	Bolt	

Motor and Belt - *55 and *235 Models Through 1/17/10

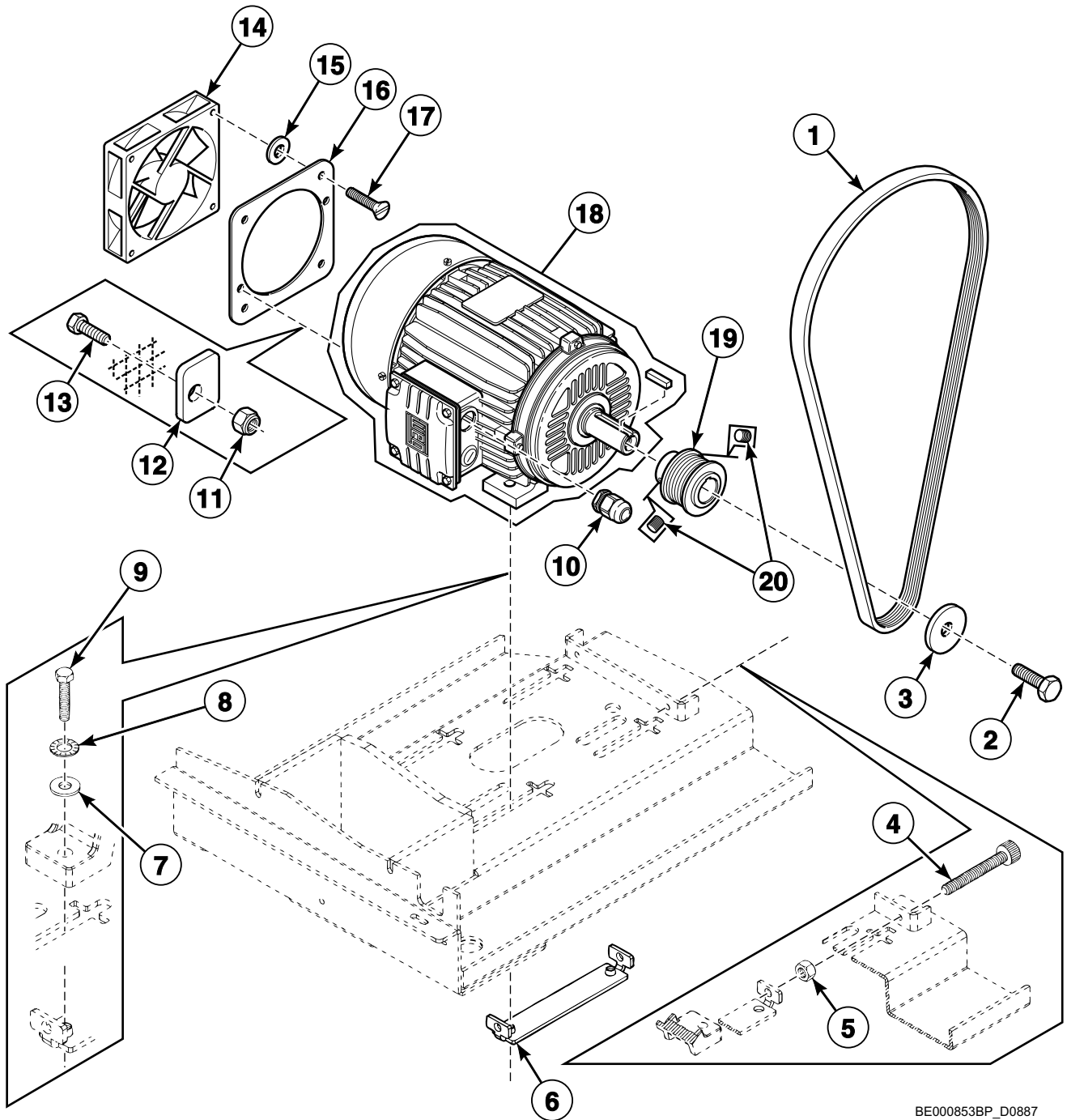


BE000853AP_D0887

Motor and Belt - *55 and *235 Models Through 1/17/10

REF	PART NO.	DESCRIPTION	COMMENTS
1	226/00139/00	Belt	
2	206/00042/00	Bolt	
3	201/00004/00	Washer	
4	206/00110/00	Bolt	
5	201/00010/00	Washer	
6	206/00119/00	Bolt	
7	115/11235/00	Motor Mounting Plate	
8	211/00168/00	Cordlock	
9	204/00110/00	Nut	
10	204/00115/00	Nut	
11	117/00042/00	Retaining Ring	
12	206/00054/00	Bolt	
13	209/00287/00	Cooling Fan	
14	217/00021/00	O-Ring	
15	111/00243/00	Intermediate Fan Motor Plate	
16	207/00002/00	Screw	
17	227/00127/00	Motor	Order replacement motor pulley when replacing motor
18	226/00145/00	Motor Pulley	
19	206/00049/00	Screw	

Motor and Belt - *55 and *235 Models Starting 1/18/10

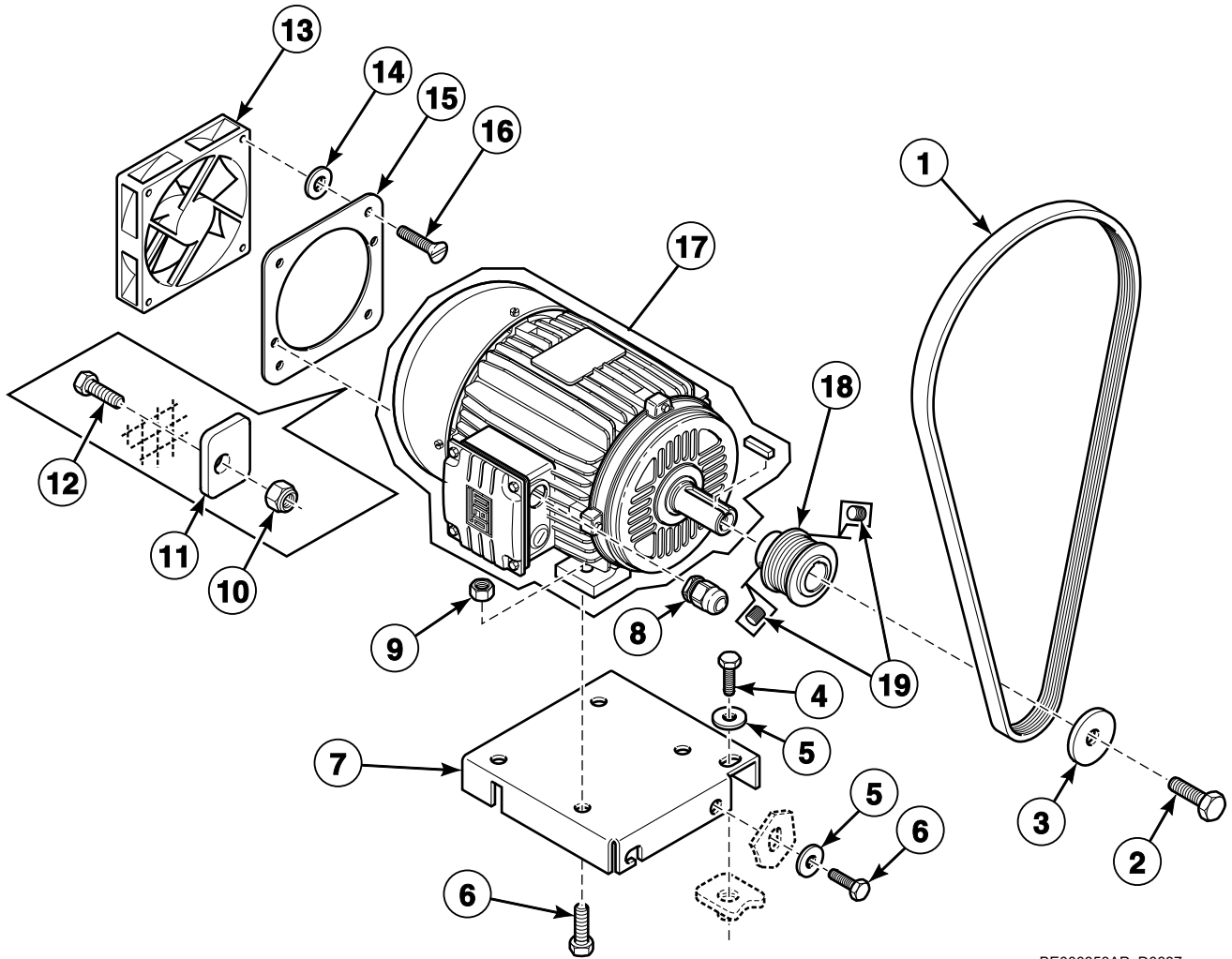


BE000853BP_D0887

Motor and Belt - *55 and *235 Models Starting 1/18/10

REF	PART NO.	DESCRIPTION	COMMENTS
1	226/00139/00	Belt	
2	206/00042/00	Bolt	
3	201/00004/00	Washer	
4	208/00134/00	Bolt	
5	204/00004/00	Nut	
6	212/00121/01	Motor Clamp	
7	202/00002/00	Washer	
8	201/00028/00	Washer	
9	206/00009/00	Bolt	
10	211/00168/00	Cordlock	
11	204/00115/00	Nut	
12	117/00042/00	Retaining Ring	
13	206/00054/00	Bolt	
14	209/00287/00	Cooling Fan	
15	217/00021/00	O-Ring	
16	111/00243/00	Intermediate Fan Motor Plate	
17	207/00002/00	Screw	
18	227/00127/00	Motor	Order replacement motor pulley when replacing motor
19	226/00145/00	Motor Pulley	
20	206/00049/00	Screw	

Motor and Belt - *75 and *305 Models

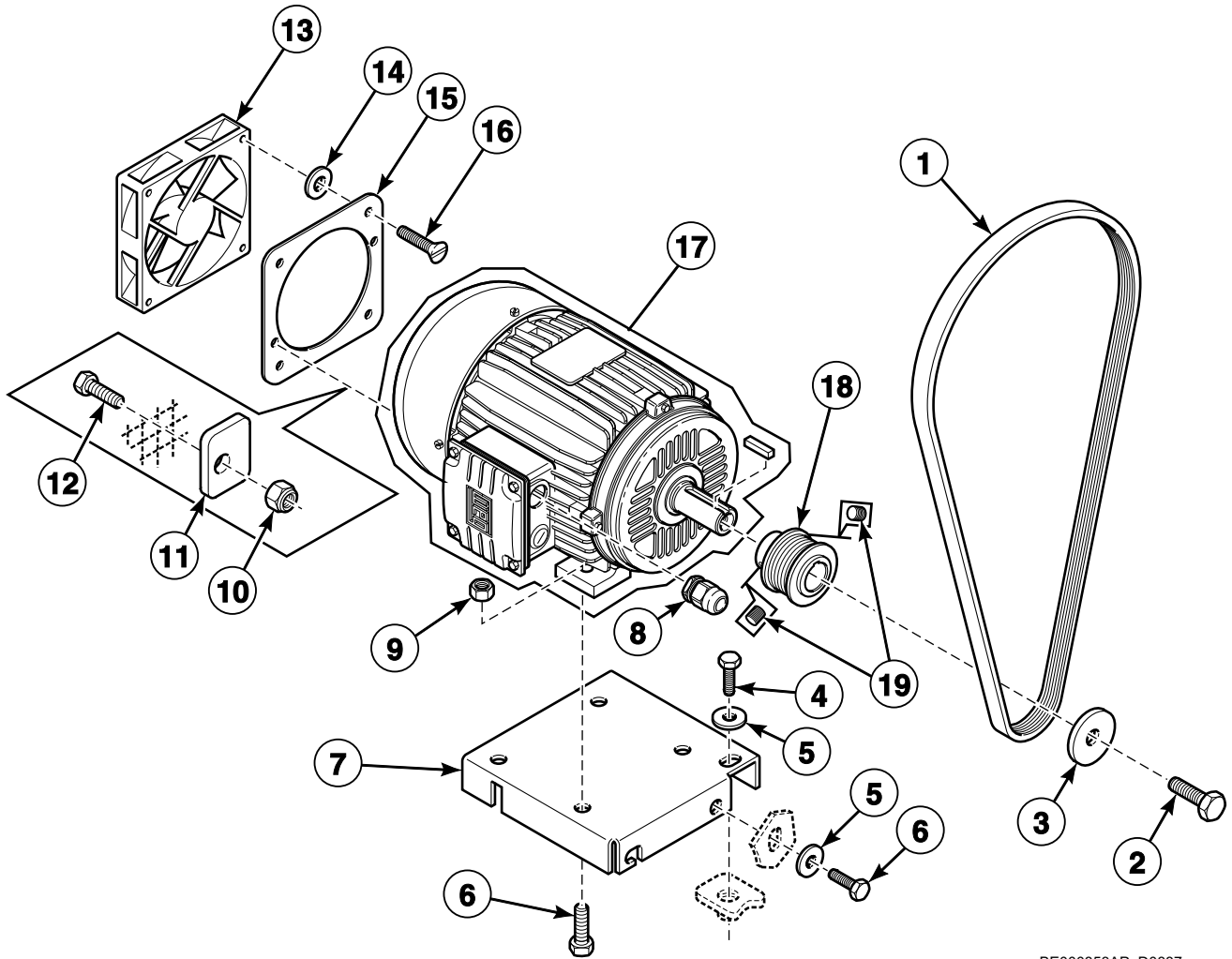


BE000853AP_D0887

Motor and Belt - *75 and *305 Models

REF	PART NO.	DESCRIPTION	COMMENTS
1	226/00134/00	Belt	
2	206/00005/00	Bolt	
3	201/00004/00	Washer	
4	206/00110/00	Bolt	
5	201/00010/00	Washer	
6	206/00119/00	Bolt	
7	115/11305/00	Motor Plate	
8	211/00168/00	Cordlock	
9	204/00110/00	Nut	
10	204/00115/00	Nut	
11	117/00042/00	Retaining Ring	
12	206/00054/00	Bolt	
13	209/00287/00	Cooling Fan	
14	217/00021/00	O-Ring	
15	111/00243/00	Intermediate Fan Motor Plate	
16	207/00002/00	Screw	
17	B12510701	Motor	Order replacement motor pulley when replacing motor
18	226/00146/00	Pulley	
19	206/00049/00	Screw	

Motor and Belt - *90 and *400 Models

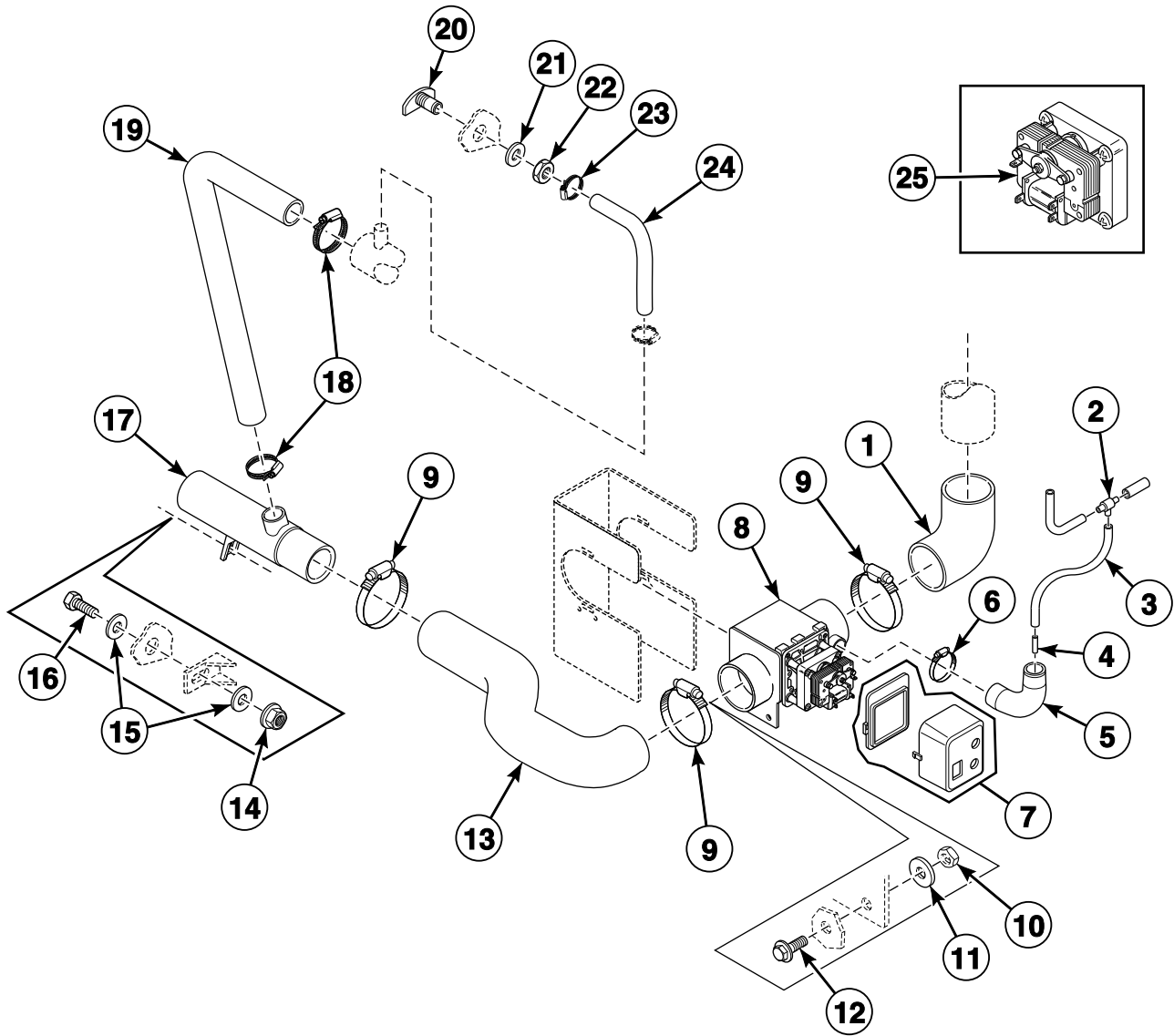


BE000853AP_D0887

Motor and Belt - *90 and *400 Models

REF	PART NO.	DESCRIPTION	COMMENTS
1	226/00134/00	Belt	
2	206/00005/00	Bolt	
3	201/00004/00	Washer	
4	206/00110/00	Bolt	
5	201/00010/00	Washer	
6	206/00119/00	Bolt	
7	115/11305/00	Motor Plate	
8	211/00168/00	Cordlock	
9	204/00110/00	Nut	
10	204/00115/00	Nut	
11	117/00042/00	Retaining Ring	
12	206/00054/00	Bolt	
13	209/00287/00	Cooling Fan	
14	217/00021/00	O-Ring	
15	111/00243/00	Intermediate Fan Motor Plate	
16	207/00002/00	Screw	
17	B12510901	Motor	Order replacement motor pulley when replacing motor
18	226/00146/00	Pulley	
19	206/00049/00	Screw	

Drain Plumbing

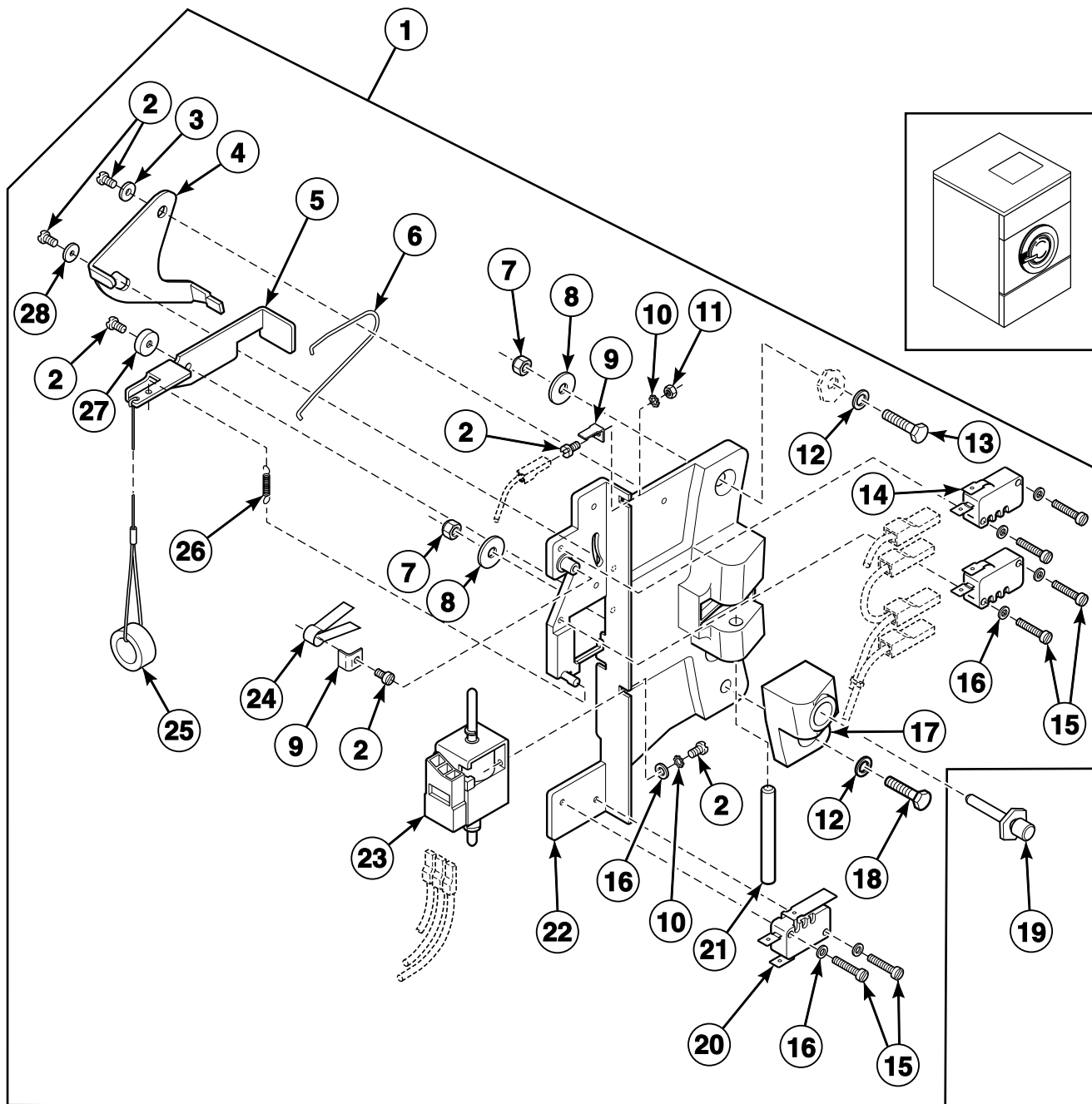


CFD327P_D0887

Drain Plumbing

REF	PART NO.	DESCRIPTION	COMMENTS
1	223/00327/00	Tub to Drain Valve Hose	
2	223/00173/10	Pressure Switch Hose Tee	
3	223/00333/00	Pressure Hose	
4	223/00016/00	Hose Barb	
5	223/00210/00	Pressure Switch Elbow	
6	223/00011/00	Hose Clamp	
7	209/00643/01	Drain Valve Coil Cover	
8	209/00644/00	Drain Valve	
9	223/00071/00	Hose Clamp	
10	204/00009/00	Nut	*55 and *235 models starting 1/18/10
11	202/00002/00	Washer	*55 and *235 models starting 1/18/10
12	206/00099/00	Bolt	*55 and *235 models starting 1/18/10
13	223/00328/00	Drain Valve to Drain Tube Hose	*55, *75, *235 and *305 models
	223/00387/00	Drain Hose	*90 and *400 models
14	206/00101/00	Nut	
15	201/00007/00	Washer	
16	206/00033/00	Bolt	
17	223/00106/00	Drain Pipe	
18	223/00013/00	Hose Clamp	
19	223/00131/00	Overflow Hose	
20	223/00001/04	Prewash and Mainwash Nozzle	
21	201/00002/00	Washer	
22	204/00201/00	Nut	
23	223/00010/00	Hose Clamp	
24	223/00044/00	Water Hose	
25	209/00644/11	Motor	

Door Lock

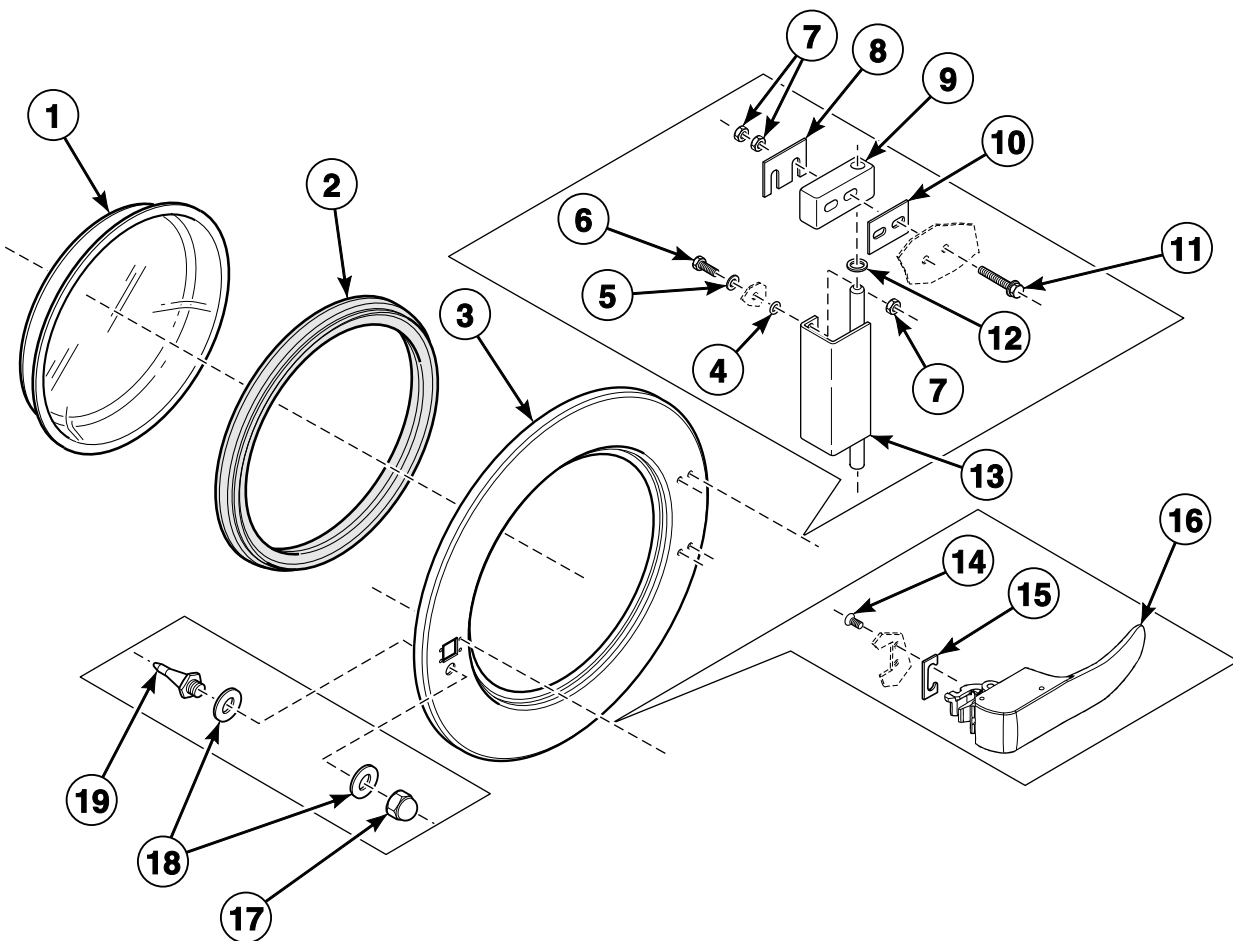


CFD543P_D0887

Door Lock

REF	PART NO.	DESCRIPTION	COMMENTS
1	217/00052/00A	Door Lock Assembly	
2	207/00135/00	Screw	
3	201/00017/00	Washer	
4	217/00052/05	Switch Lever	
5	217/00052/04	Interlock Lever	
6	224/00040/00	Lever Spring	
7	204/00009/00	Nut	
8	201/00006/00	Washer	
9	210/10015/00	Ground Terminal	
10	203/00007/00	Washer	
11	204/00008/00	Nut	
12	202/00101/00	Washer	
13	205/00103/00	Bolt	
14	209/00272/00	Door Lock Microswitch	
15	207/00009/00	Screw	
16	201/00018/00	Washer	
17	217/00052/11	Door Lock Bracket	
18	205/00115/00	Bolt	
19	211/00109/02	Door Lock Pin Kit	
20	209/00273/00	Light Microswitch	
21	217/00017/03	Lock Shaft	
22	217/00052/01A	Door Lock Assembly	
23	B12495102	Door Solenoid Assembly	
24	224/00049/00	Door Lock Spring	
25	217/00052/07	Door Release Wire	
26	224/00043/00	Interlock Coil Spring	
27	217/00052/03	Door Lock Spacer	
28	202/00124/00	Washer	

Door

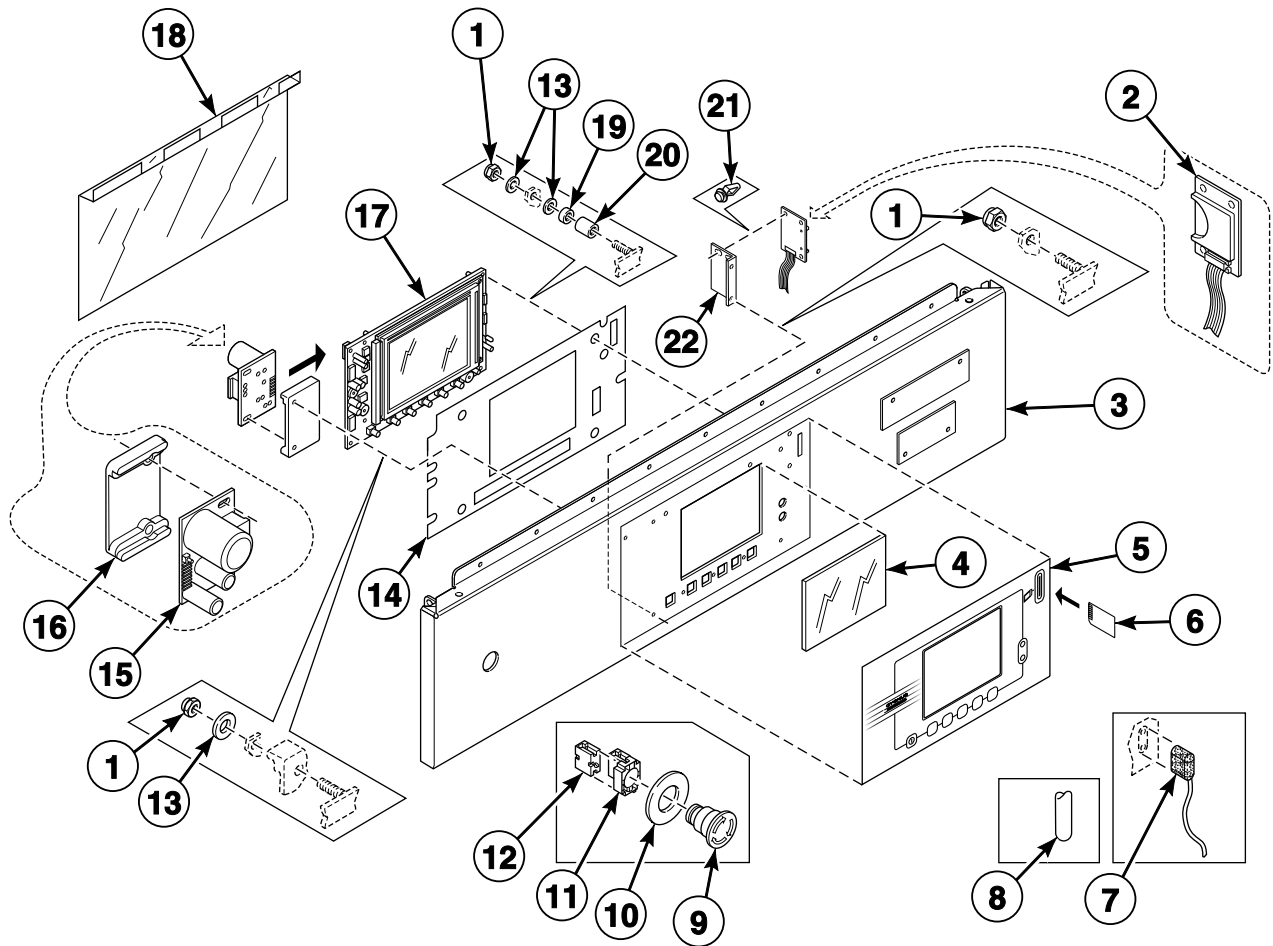


BE000190CP_D0887

Door

REF	PART NO.	DESCRIPTION	COMMENTS
1	B12449801	Door Glass	
2	223/00068/00	Door Glass Seal	
3	118/00125/00	Door	
4	217/00021/00	O-Ring	
5	202/00101/00	Washer	
6	205/00104/00	Bolt	
7	204/00106/00	Nut	
8	111/00003/00	Door Hinge Plate Assembly	
9	253/00022/00	Door Hinge Block	
10	118/00122/00	Door Hinge Spacer	1.5 mm
	118/00124/00	Door Hinge Spacer	2 mm
11	207/00126/00	Screw	
12	202/00104/00	Washer	
13	221/00004/00	Hinge	
14	B12500801	Screw	
15	217/00016/00	Door Handle Stop	
16	217/00059/00	Door Handle	IWF and WF models; Black
	217/00065/00	Door Handle	CWF and WF models; Gray
17	204/00103/00	Nut	
18	202/00111/00	Washer	
19	211/00109/02	Door Lock Pin Kit	

Control Panel - Cygnus Professional

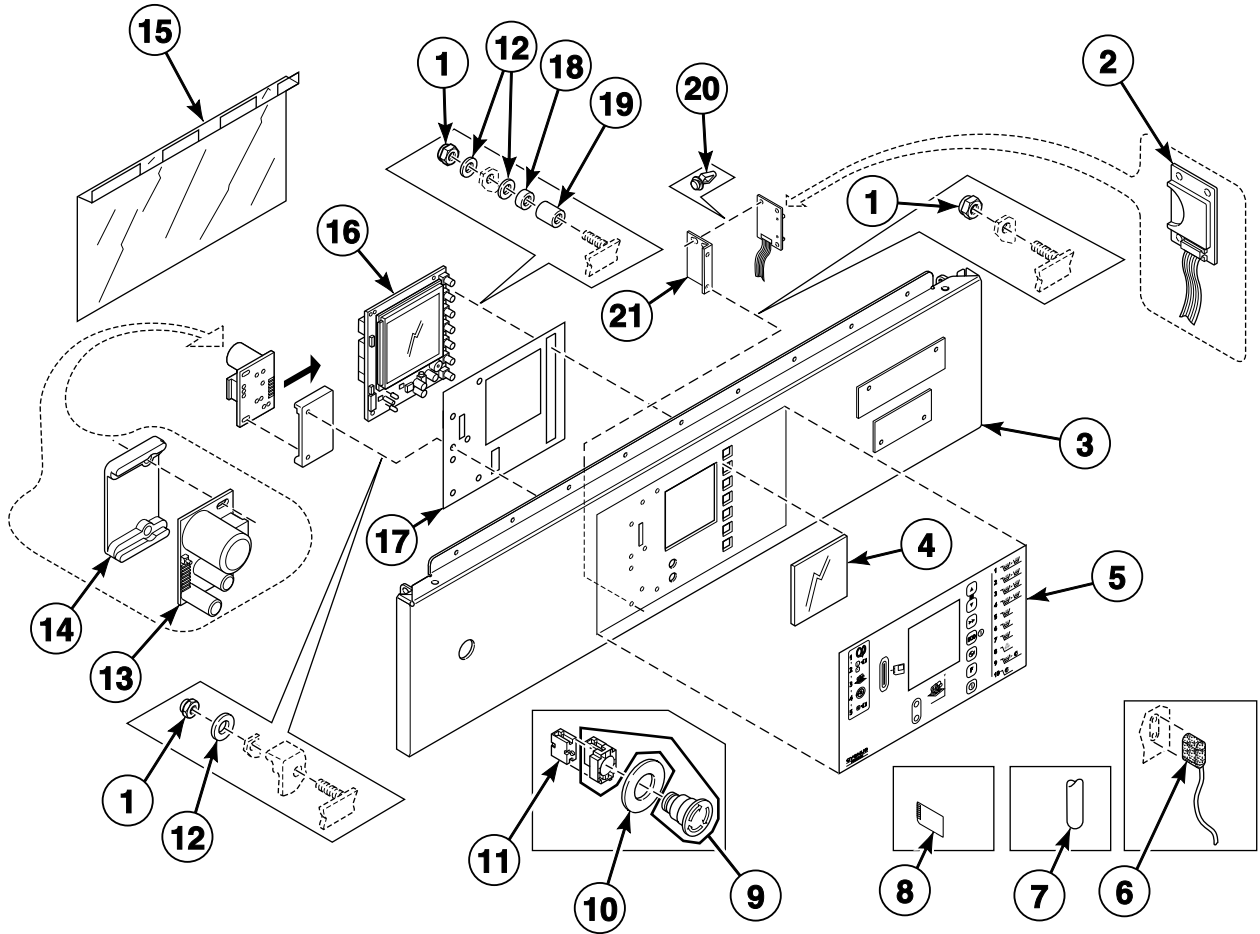


BE000855AP_D0887

Control Panel - Cygnus Professional

REF	PART NO.	DESCRIPTION	COMMENTS
1	204/00116/00	Nut	
2	B12305201	Memory Card PC-Board	Models prior to 4/5/11 require a firmware upgrade
	B12538301	Data Card Ribbon Assembly	
3	111/00301/30	Control Panel	Models IWF235ZN2 and WF235_CYGNUS-PRO
	111/00331/30	Control Panel	Models IWF305ZN2, IWF400ZN2, WF305_CYGNUS-PRO and WF400_CYGNUS-PRO
4	225/00321/00	Plexi Frame	
5	225/10313/00	Operating Sticker	
6	209/02022/00	Datacard	
7	210/00901/00	Optic Cable	
8	223/00348/00	Datacard Cover	
9	209/00248/20	Mushroom Pushbutton	
10	209/00520/00	Telem Sticker	
11	209/00099/20	Emergency Switch Pushbutton	
12	209/00099/26	Contact Switch	
13	223/00123/00	Washer	
14	229/00268/00	Insulating Sticker	
15	209/02010/00	Door Lock PC-Board	
16	223/00374/00	Mounting Plate	
17	209/02002/00	Display PC-Board	
18	229/00289/00	Circuit Board Cover	
19	211/00128/00	Printboard Separator	
20	211/00122/00	Standoff	
21	211/00145/00	Standoff	
22	111/01893/00	Printboard Support Card	

Control Panel - Cygnus Premium OPL

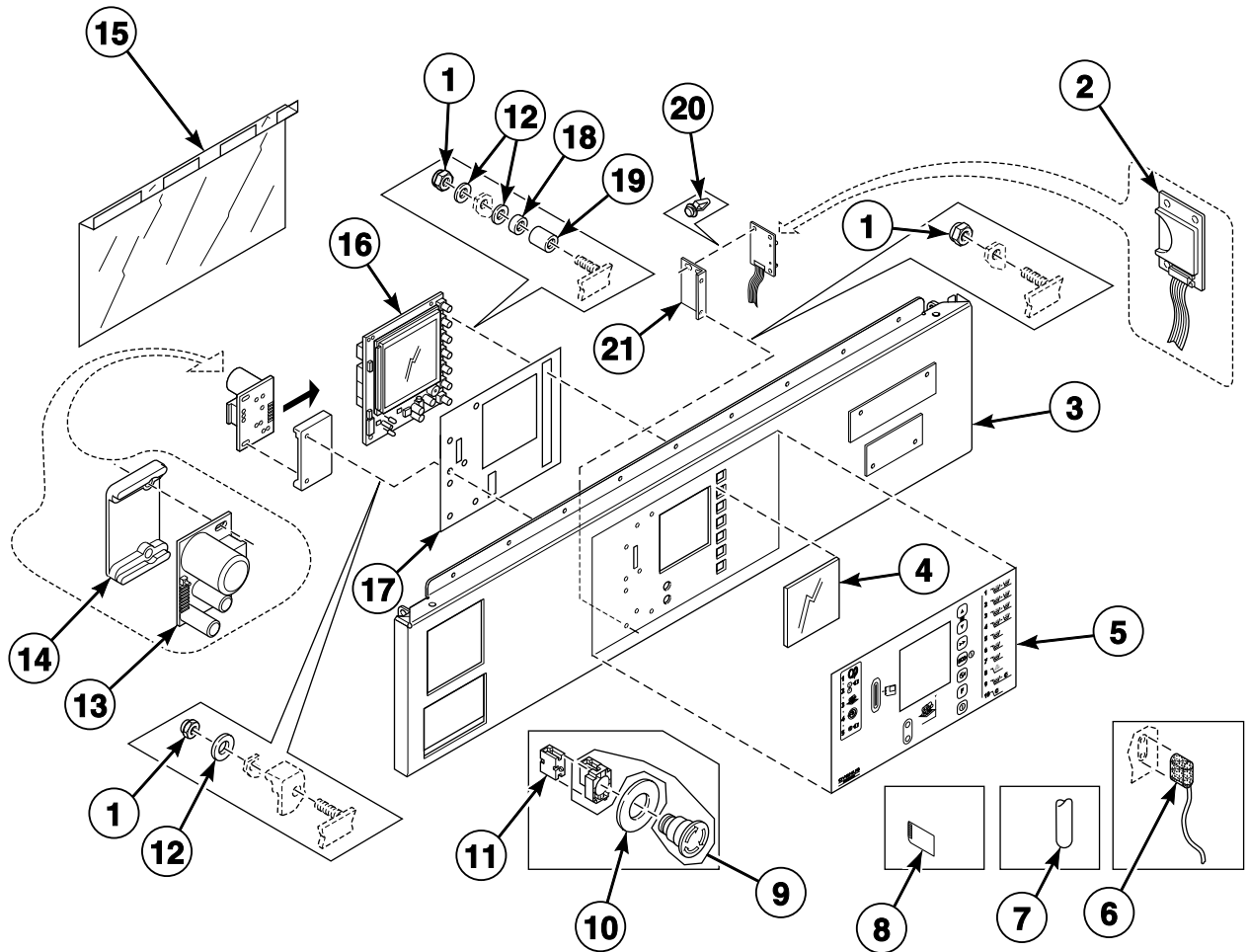


BE000881P_D0887

Control Panel - Cygnus Premium OPL

REF	PART NO.	DESCRIPTION	COMMENTS
1	204/00116/00	Nut	
2	B12305201	Memory Card PC-Board	Models prior to 4/5/11 require a firmware upgrade
	B12538301	Data Card Ribbon Assembly	
3	111/00331/33	Control Panel	Models WF305_CYGNUS-PREM_OPL and WF400_CYGNUS-PREM_OPL
	111/00301/33	Control Panel	Model WF235_CYGNUS-PREM_OPL
4	225/00323/00	Plexi Frame	
5	225/10404/00	Operating Sticker	With dataflash card opening
	225/10427/00	Operating Sticker	Without dataflash card opening
6	210/00901/00	Optic Cable	
7	223/00348/00	Datacard Cover	
8	209/02022/00	Datacard	
9	209/00099/20	Emergency Switch Pushbutton	
10	209/00520/00	Telem Sticker	
11	209/00099/26	Contact Switch	
12	223/00123/00	Washer	
13	209/02010/00	Door Lock PC-Board	
14	223/00374/00	Mounting Plate	
15	229/00289/00	Circuit Board Cover	
16	209/02015/02	Printboard	
17	229/00291/00	Insulating Sticker	
18	211/00128/00	Printboard Separator	
19	211/00122/00	Standoff	
20	211/00145/00	Standoff	
21	111/01893/00	Printboard Support Card	

Control Panel - Cygnus Premium Coin

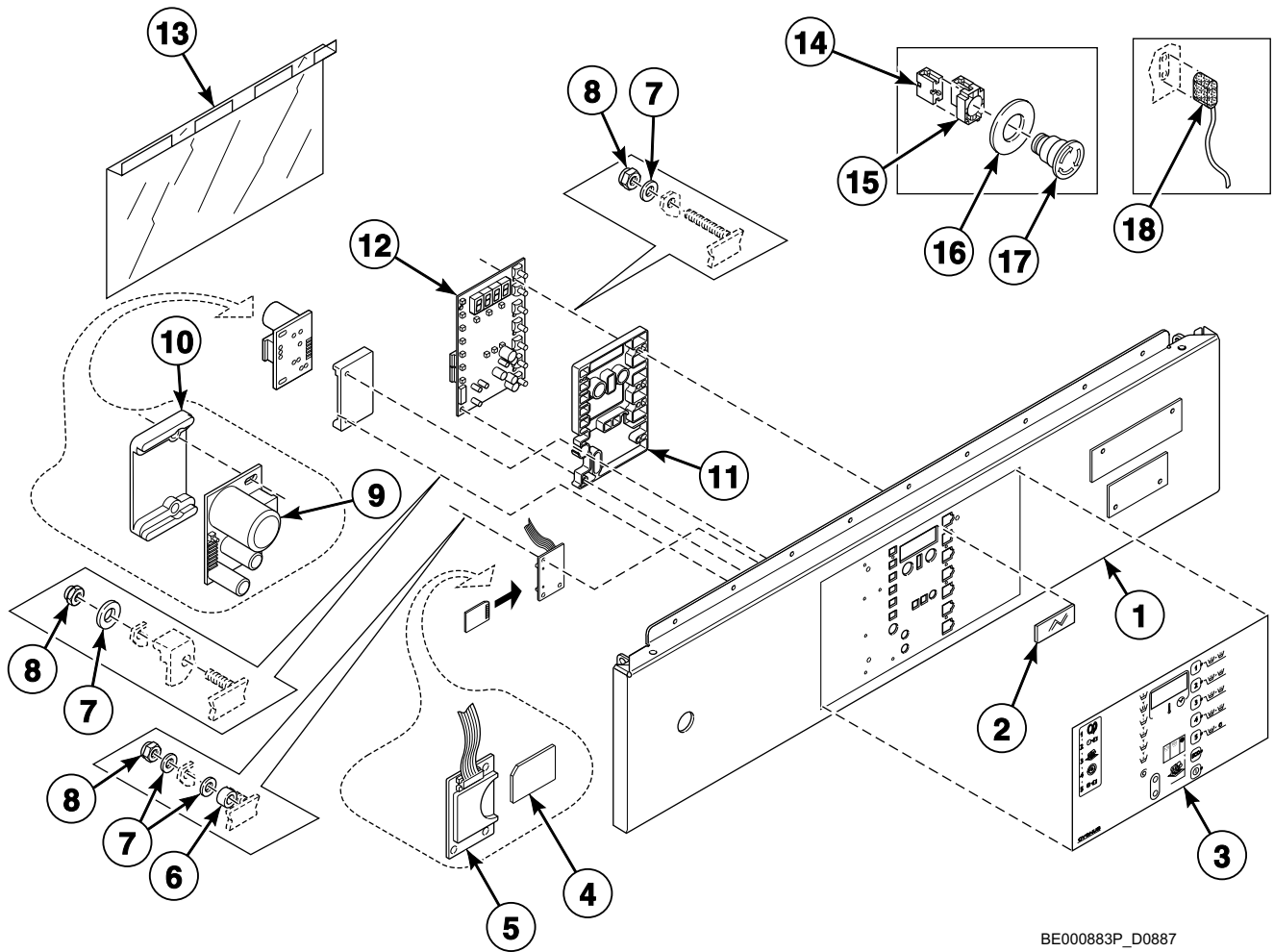


BE000882P_D0887

Control Panel - Cygnus Premium Coin

REF	PART NO.	DESCRIPTION	COMMENTS
1	204/00116/00	Nut	
2	B12305201	Memory Card PC-Board	Models prior to 4/5/11 require a firmware upgrade
	B12538301	Data Card Ribbon Assembly	
3	111/00331/34	Control Panel	Models WF305_CYGNUS-PREM_COIN and WF400_CYGNUS-PREM_COIN
	111/00301/34	Control Panel	Model WF235_CYGNUS-PREM_COIN
4	225/00323/00	Plexi Frame	
5	225/10405/00	Operating Sticker	With ECO
	225/10477/00	Operating Sticker	Without ECO
6	210/00901/00	Optic Cable	
7	223/00348/00	Datacard Cover	
8	209/02022/00	Datacard	
9	209/00099/20	Emergency Switch Pushbutton	
10	209/00520/00	Telem Sticker	
11	209/00099/26	Contact Switch	
12	223/00123/00	Washer	
13	209/02010/00	Door Lock PC-Board	
14	223/00374/00	Mounting Plate	
15	229/00289/00	Circuit Board Cover	
16	209/02015/02	Printboard	
17	229/00291/00	Insulating Sticker	
18	211/00128/00	Printboard Separator	
19	211/00122/00	Standoff	
20	211/00145/00	Standoff	
21	111/01893/00	Printboard Support Card	

Control Panel - Cygnus Standard/Commercial OPL

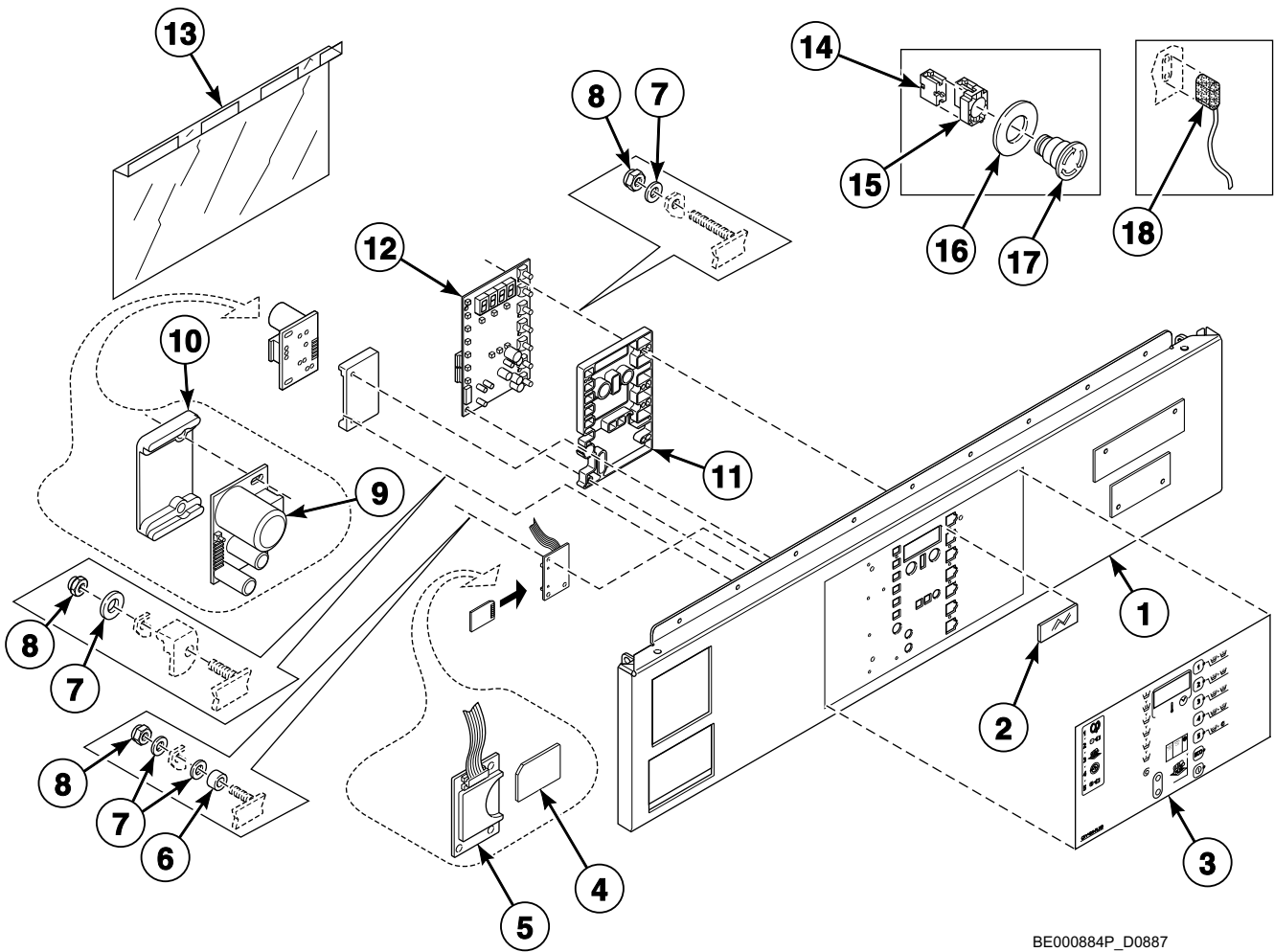


BE000883P_D0887

Control Panel - Cygnus Standard/Commercial OPL

REF	PART NO.	DESCRIPTION	COMMENTS
1	111/00331/31	Control Panel	Models WF305_CYGNUS-COMM_OPL, WF305_CYGNUS-STANDARD_OPL, WF400_CYGNUS-COMM_OPL and WF400_CYGNUS-STANDARD_OPL
	111/00301/31	Control Panel	Models WF235_CYGNUS-COMM_OPL and WF235_CYGNUS-STANDARD_OPL
2	225/00322/00	Plexi Frame	
3	225/10307/00	Operating Sticker	Models WF235_CYGNUS-STANDARD_OPL, WF305_CYGNUS-STANDARD_OPL and WF400_CYGNUS-STANDARD_OPL
	225/10308/00	Operating Sticker	Models WF235_CYGNUS-COMM_OPL, WF305_CYGNUS-COMM_OPL and WF400_CYGNUS-COMM_OPL
4	209/02022/00	Datacard	
5	B12305201	Memory Card PC-Board	Models prior to 4/5/11 require a firmware upgrade
	B12538301	Data Card Ribbon Assembly	
6	211/00128/00	Printboard Separator	
7	223/00123/00	Washer	
8	204/00116/00	Nut	
9	209/02010/00	Door Lock PC-Board	
10	223/00374/00	Mounting Plate	
11	223/00330/00	Protection LED	
12	209/02001/02	Printboard	
13	229/00289/00	Circuit Board Cover	
14	209/00099/26	Contact Switch	
15	209/00099/20	Emergency Switch Pushbutton	
16	209/00520/00	Telem Sticker	
17	209/00248/20	Mushroom Pushbutton	
18	210/00901/00	Optic Cable	

Control Panel - Cygnus Standard/Commercial Coin

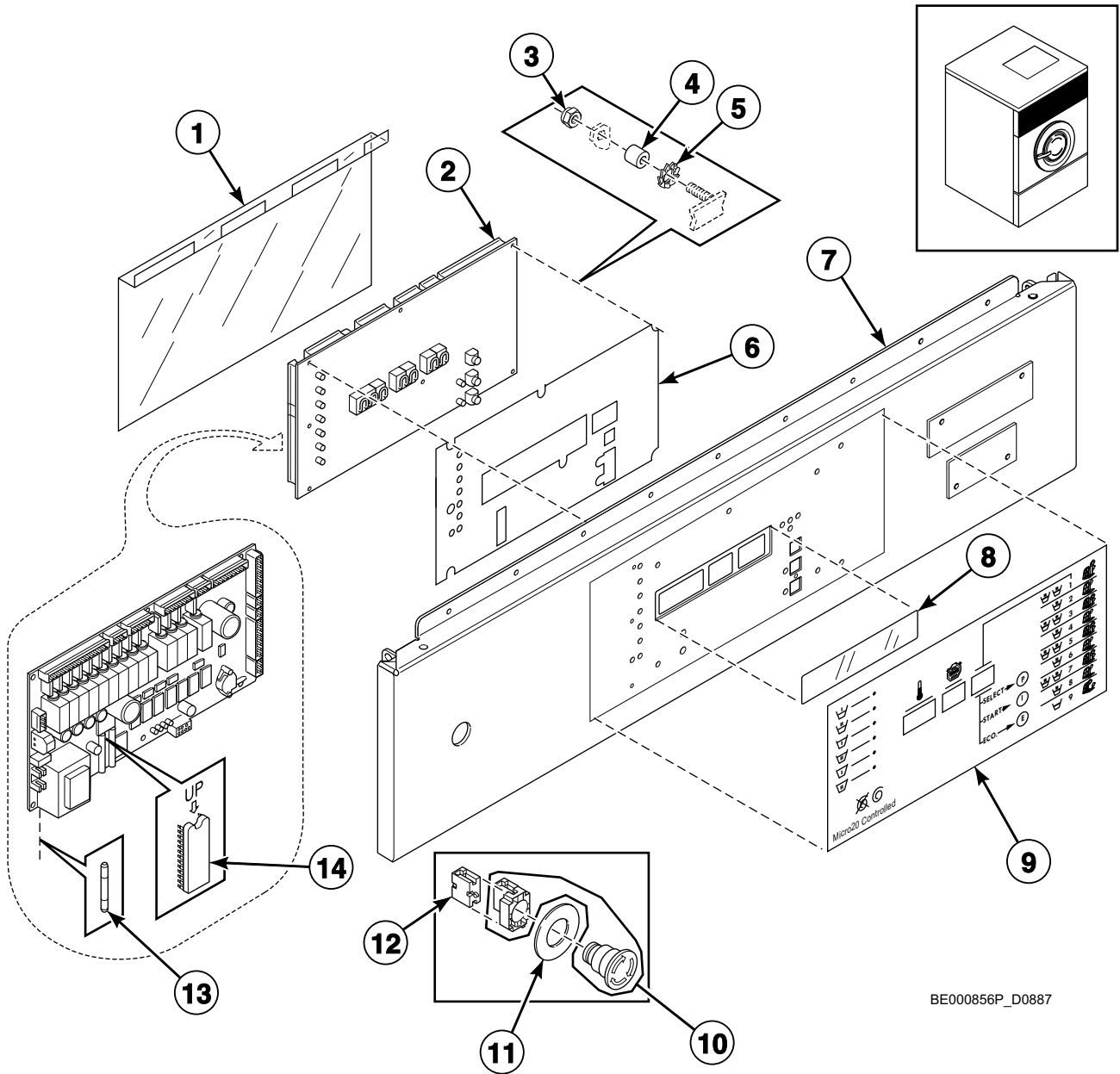


BE000884P_D0887

Control Panel - Cygnus Standard/Commercial Coin

REF	PART NO.	DESCRIPTION	COMMENTS
1	111/00331/32	Control Panel	Models WF305_CYGNUS-COMM_COIN, WF305_CYGNUS-STANDARD_COIN, WF400_CYGNUS-COMM_COIN and WF400_CYGNUS-STANDARD_COIN
	111/00301/32	Control Panel	Models WF235_CYGNUS-COMM_COIN and WF235_CYGNUS-STANDARD_COIN
2	225/00322/00	Plexi Frame	
3	225/10307/00	Operating Sticker	Models WF235_CYGNUS-STANDARD_COIN, WF305_CYGNUS-STANDARD_COIN and WF400_CYGNUS-STANDARD_COIN
	225/10308/00	Operating Sticker	Models WF235_CYGNUS-COMM_COIN, WF305_CYGNUS-COMM_COIN and WF400_CYGNUS-COMM_COIN
4	209/02022/00	Datacard	
5	B12305201	Memory Card PC-Board	Models prior to 4/5/11 require a firmware upgrade
	B12538301	Data Card Ribbon Assembly	
6	211/00128/00	Printboard Separator	
7	223/00123/00	Washer	
8	204/00116/00	Nut	
9	209/02010/00	Door Lock PC-Board	
10	223/00374/00	Mounting Plate	
11	223/00330/00	Protection LED	
12	209/02001/02	Printboard	
13	229/00289/00	Circuit Board Cover	
14	209/00099/26	Contact Switch	
15	209/00099/20	Emergency Switch Pushbutton	
16	209/00520/00	Telem Sticker	
17	209/00248/20	Mushroom Pushbutton	
18	210/00901/00	Optic Cable	

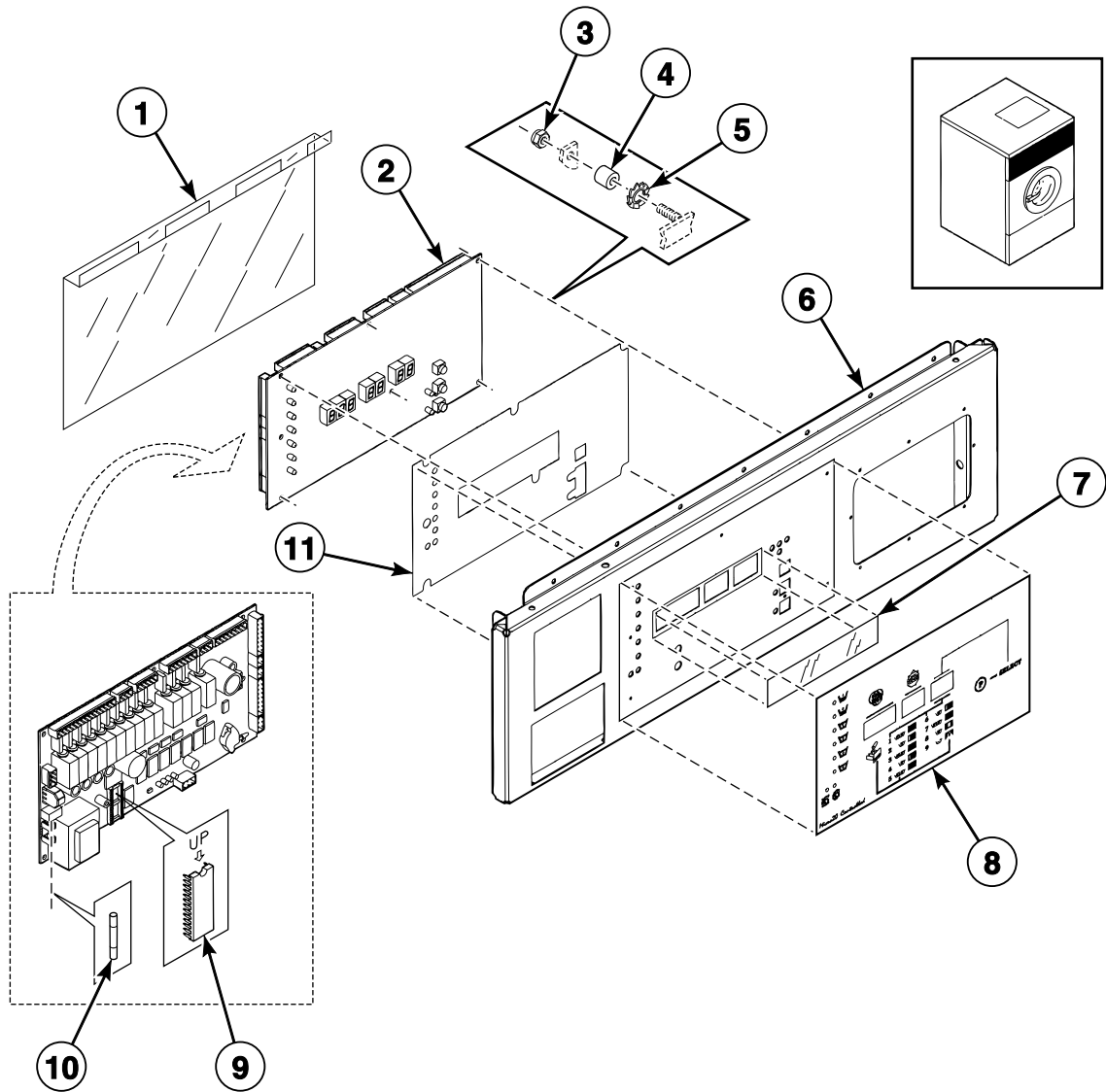
Control Panel - Micro-20 OPL



Control Panel - Micro-20 OPL

REF	PART NO.	DESCRIPTION	COMMENTS
1	229/00289/00	Circuit Board Cover	
2	209/00440/70	Printboard	220 Volt
	209/00440/80	Printboard	115 Volt
3	204/00116/00	Nut	
4	211/00122/00	Standoff	
5	203/00006/00	Washer	
6	229/00255/00	Insulating Sticker	
7	111/00301/00	Control Panel	*55 and *235 models
	111/00331/00	Control Panel	*75, *90, *305 and *400 models
8	225/00316/00	Plexi Frame	
9	225/00407/00	Keypad Sticker	With ECO
	225/00408/00	Operating Sticker	Without ECO
10	209/00248/20	Mushroom Pushbutton	
11	209/00520/00	Telem Sticker	
12	209/00099/26	Contact Switch	
13	209/00439/00	Fuse	500 mA
14	209/00266/01	Eprom	

Control Panel - Micro-20 Coin

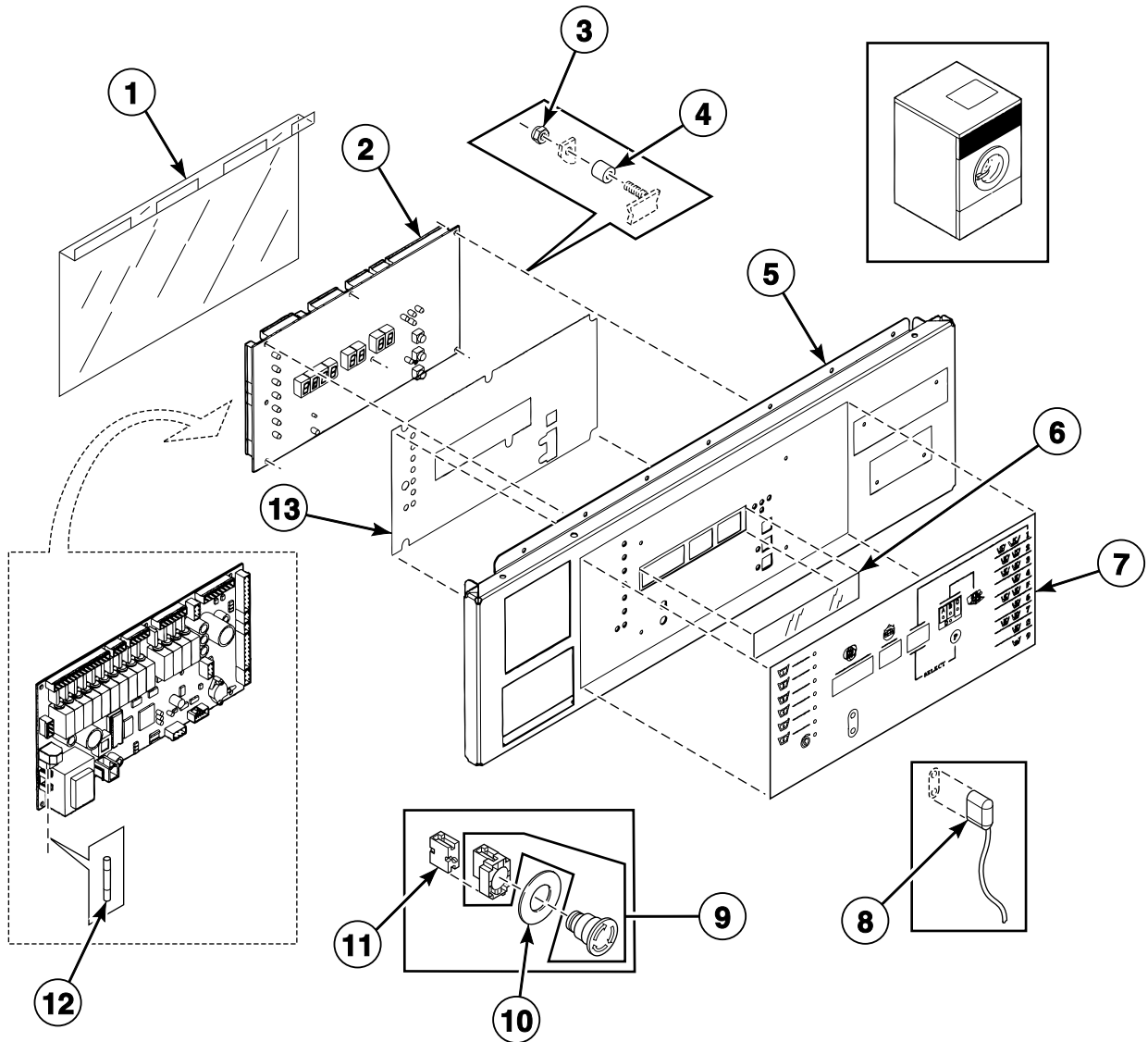


BE000819P_D0887

Control Panel - Micro-20 Coin

REF	PART NO.	DESCRIPTION	COMMENTS
1	229/00289/00	Circuit Board Cover	
2	209/00440/70	Printboard	220 Volt
	209/00440/80	Printboard	115 Volt
3	204/00116/00	Nut	
4	211/00122/00	Standoff	
5	203/00006/00	Washer	
6	111/01823/00	Upper Front Panel	
7	225/00316/00	Plexi Frame	
8	225/00410/00	Operating Sticker	
9	209/00266/01	Eprom	Standard software
10	209/00439/00	Fuse	500 mA
11	229/00255/00	Insulating Sticker	

Control Panel - Sigma Coin

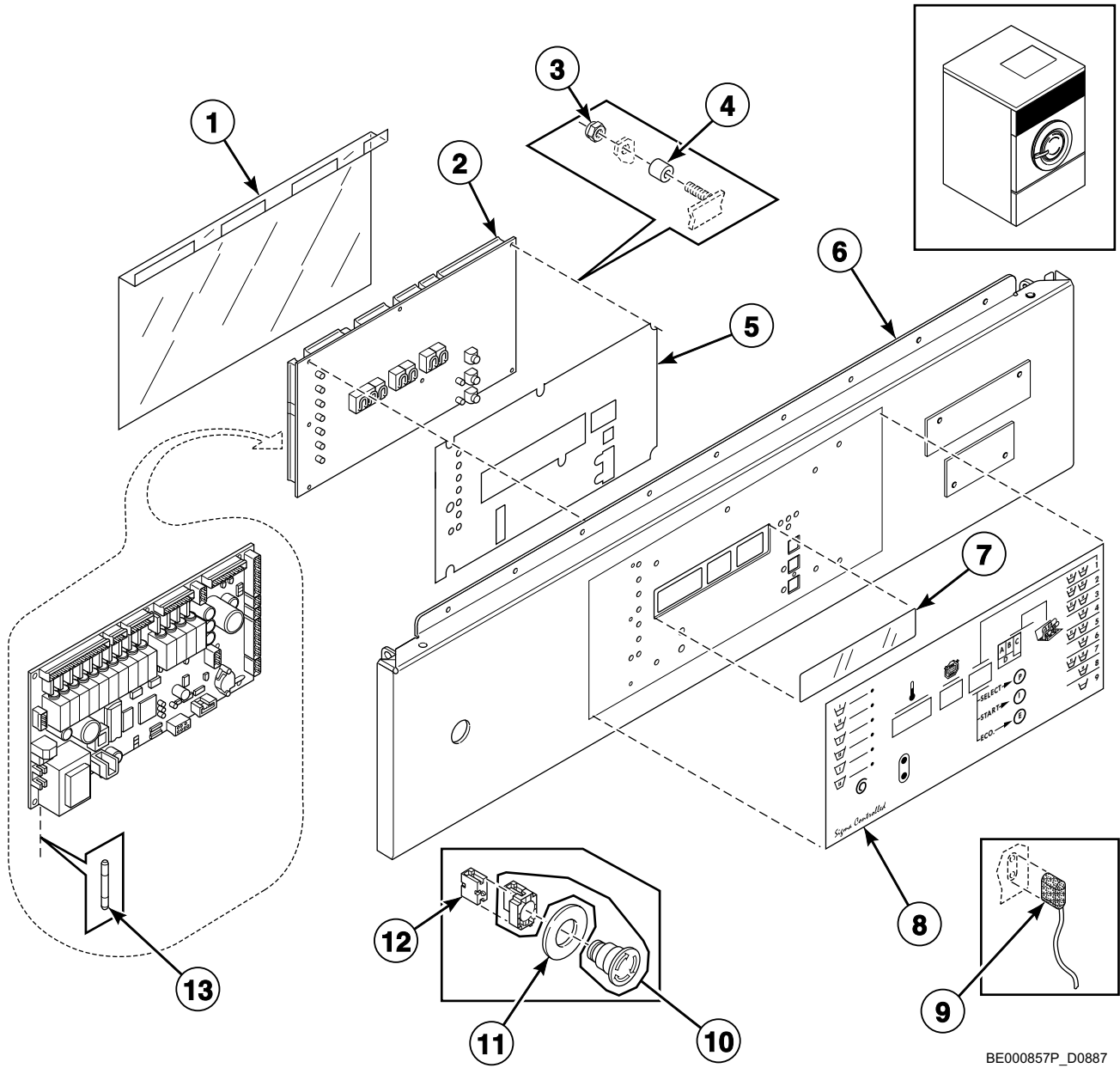


BE000629P_D0887

Control Panel - Sigma Coin

REF	PART NO.	DESCRIPTION	COMMENTS
1	229/00262/00	Circuit Board Cover	
2	209/00547/00	Control Board	
3	204/00114/00	Nut	
4	211/00122/00	Standoff	
5	111/00301/10	Control Panel	*55 and *235 models
	111/00331/10	Control Panel	*75, *90, *305 and *400 models
6	225/00316/00	Plexi Frame	
7	225/00403/00	Decal	
8	210/00902/00	Infrared Cable	
9	209/00248/20	Mushroom Pushbutton	
10	209/00520/00	Telem Sticker	
11	209/00099/26	Contact Switch	
12	209/00439/00	Fuse	500 mA
13	229/00255/00	Insulating Sticker	

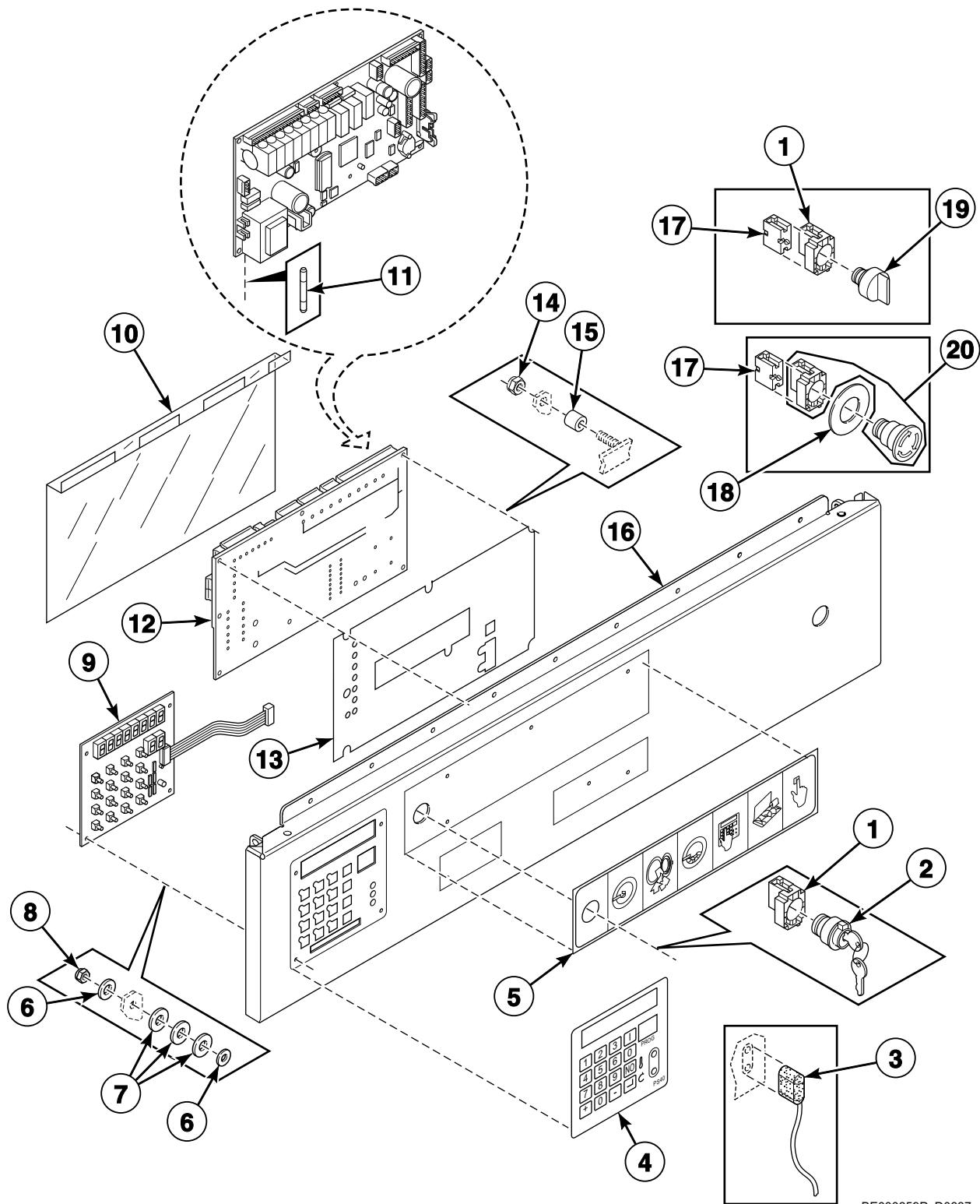
Control Panel - Sigma OPL



Control Panel - Sigma OPL

REF	PART NO.	DESCRIPTION	COMMENTS
1	229/00262/00	Circuit Board Cover	
2	209/00547/00	Control Board	
3	204/00114/00	Nut	
4	211/00122/00	Standoff	
5	229/00255/00	Insulating Sticker	
6	111/00301/00	Control Panel	Model WF235_SIGMA_OPL
	111/00331/00	Control Panel	Models WF305_SIGMA_OPL and WF400_SIGMA_OPL
7	225/00316/00	Plexi Frame	
8	225/00404/00	Operating Sticker	With ECO
	225/00405/00	Operating Sticker	Without ECO
9	210/00902/00	Infrared Cable	
10	209/00248/20	Mushroom Pushbutton	
11	209/00520/00	Telem Sticker	
12	209/00099/26	Contact Switch	
13	209/00439/00	Fuse	500 mA

Control Panel - PS40F

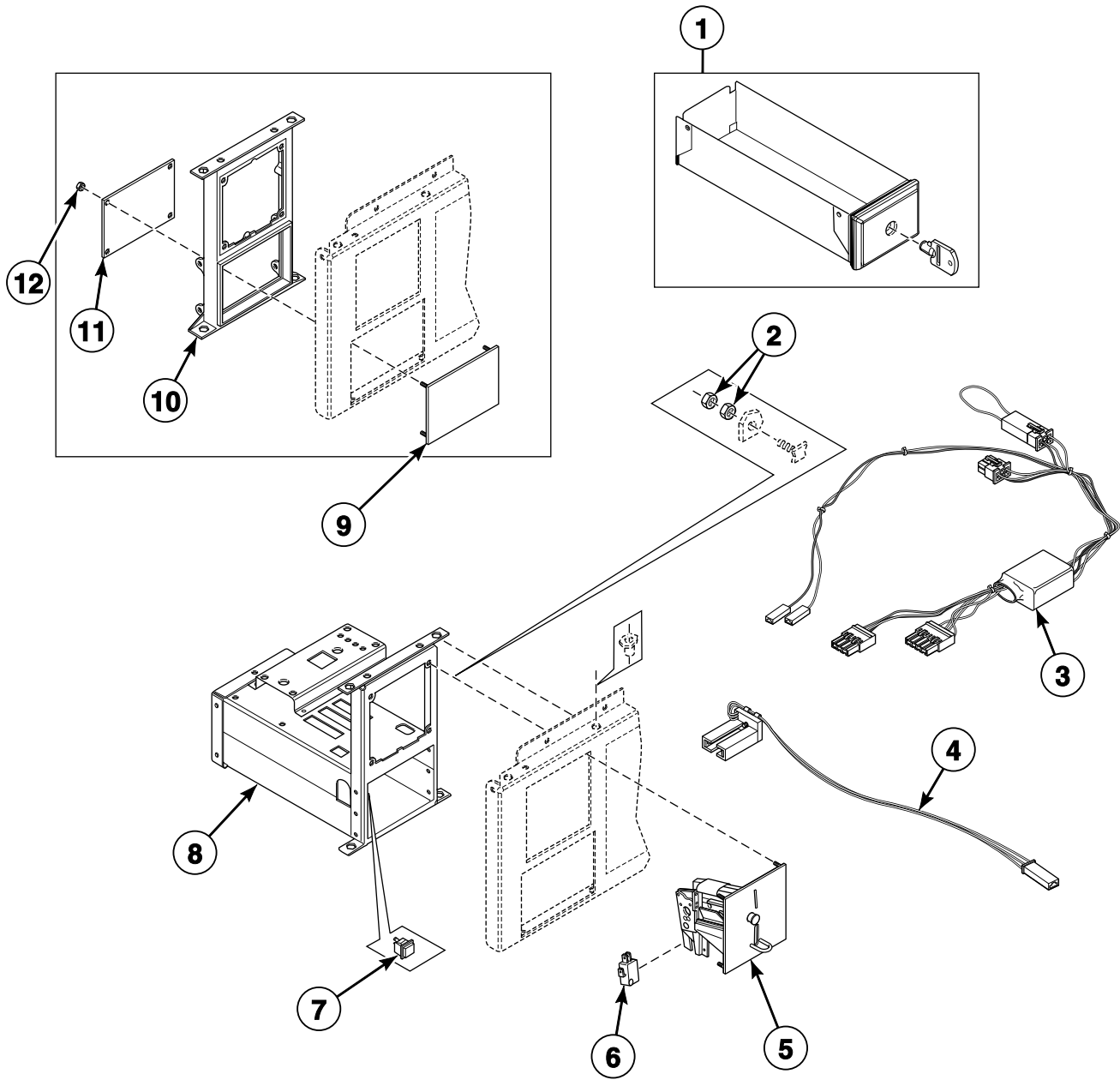


BE000859P_D0887

Control Panel - PS40F

REF	PART NO.	DESCRIPTION	COMMENTS
1	209/00099/25	Switch Base	
2	209/00326/20	Programming Key Contact Switch	
3	210/00902/00	Infrared Cable	
4	225/00397/00	Label	
5	225/00400/00	Operating Sticker	
6	223/00123/00	Washer	
7	223/00051/10	Washer	
8	204/00116/00	Nut	
9	209/00552/01	Keypad	
10	229/00262/00	Circuit Board Cover	
11	209/00372/01	Fuse	
12	B12351701	Main Board	
13	229/00255/00	Insulating Sticker	
14	204/00116/00	Nut	
15	211/00122/00	Standoff	
16	111/00301/20	Control Panel	*55 and *235 models
	111/00331/20	Control Panel	*75, *90, *305 and *400 models
17	209/00099/26	Contact Switch	
18	209/00520/00	Telem Sticker	
19	209/00099/29	Switch Knob	
20	209/00248/20	Mushroom Pushbutton	

Coin Drop - Mechanical Coin Meter

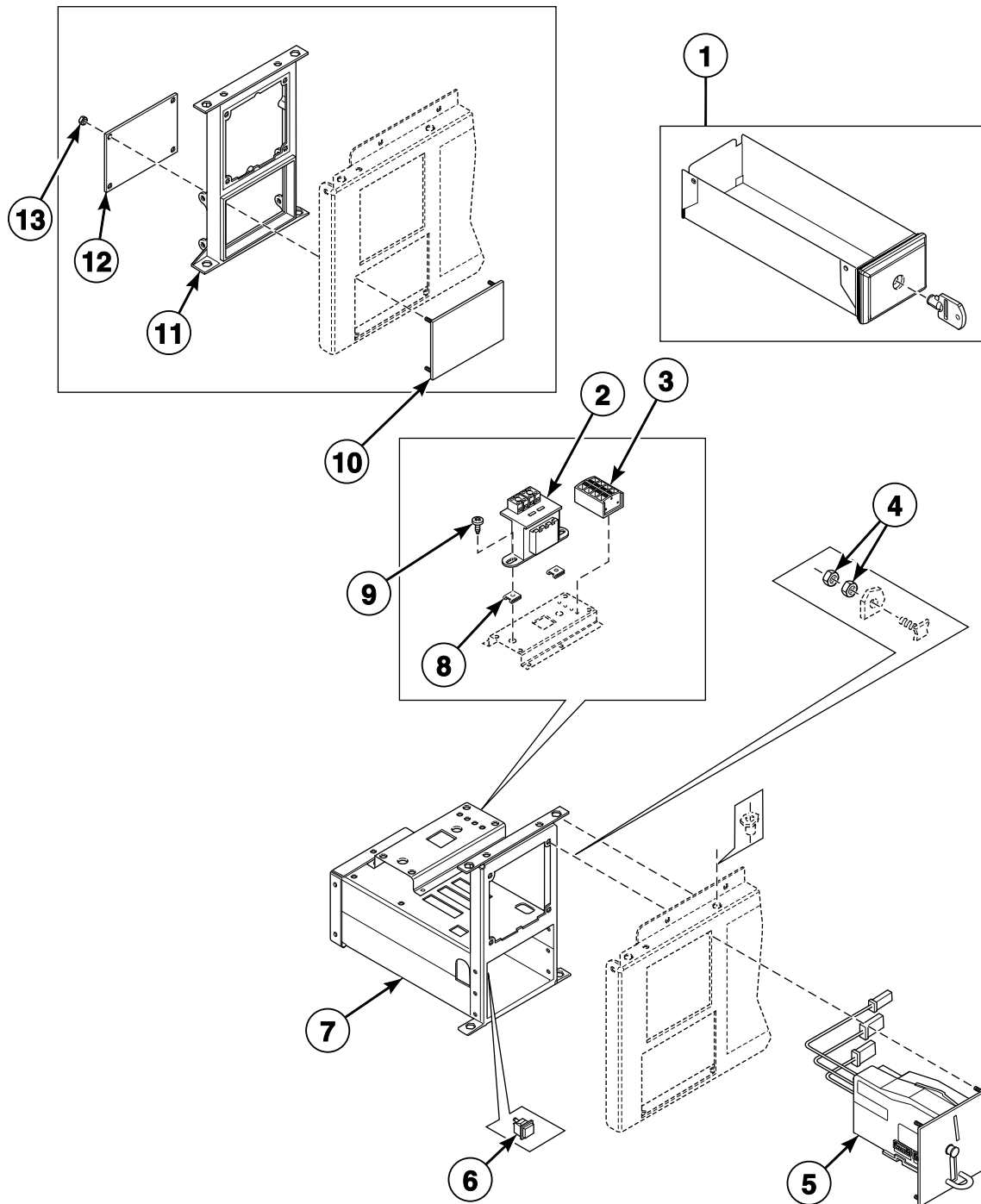


CFD512P_D0887

Coin Drop - Mechanical Coin Meter

REF	PART NO.	DESCRIPTION	COMMENTS
	B12388101	Single Drop Optical Sensor Kit	Includes items 3 and 4
	B12388102	Dual Drop Optical Sensor Kit	Includes items 3 and 4
1	254/00077/00	Coin Box	
	254/00077/02	Key	
2	204/00008/00	Nut	
3	B12359901	Wire Assembly	Micro-20 and Sigma models
4	209/00781/00	Optical Switch	Micro-20 and Sigma models
5	B12311224	Coin Drop	Mechanical; Jeton 5K
	B12311206	Coin Drop	Mechanical; Jeton 7K
	B12311201	Coin Drop	Mechanical; Jeton 10K
	B12311210	Coin Drop	Mechanical; Jeton 12K
	B12311252	Coin Drop	Mechanical; Jeton 10K and .5 euro
	B12311211	Coin Drop	Mechanical; Jeton 7K and 1 euro
	B12323901	Coin Drop	Mechanical; Jeton 15K and 7K
	B12311204	Coin Drop	Mechanical; Jeton gettone
	B12311234	Coin Drop	Mechanical; Jeton crouzet
	B12311247	Coin Drop	Mechanical; Jeton 118-1
	B12311248	Coin Drop	Mechanical; Jeton 118-5
	B12311222	Coin Drop	Mechanical; 1 euro
	B12311214	Coin Drop	Mechanical; .5 euro
	B12311202	Coin Drop	Mechanical; .5 and 1 euro
	B12311239	Coin Drop	Mechanical; .5 and 2 euro
	B12311205	Coin Drop	Mechanical; .2 and 1 euro
	B11211209	Coin Drop	Mechanical; .2 and .5 euro
	B12311218	Coin Drop	Mechanical; 1 and 1 euro
	B12311219	Coin Drop	Mechanical; 1 and 2 euro
	B12311203	Coin Drop	Mechanical; 1 and 2 frank
	B12311207	Coin Drop	Mechanical; 1 Deense kroon
	B12311225	Coin Drop	Mechanical; 10 Deense kronen
	B12311235	Coin Drop	Mechanical; 10 Tsjechische kronen
	B12311244	Coin Drop	Mechanical; 10 Noorse kronen
	B12311208	Coin Drop	Mechanical; 100 and 500 yen
	B12311212	Coin Drop	Mechanical; 15K
	B12311215	Coin Drop	Mechanical; 1 kro
	B12311226	Coin Drop	Mechanical; Australian 1.00
	B12311216	Coin Drop	Mechanical; Australian .2 and 1.00
	B12311220	Coin Drop	Mechanical; New Zealand 1.00
	B12311221	Coin Drop	Mechanical; .5 and 2 zwitsers
	B12311241	Coin Drop	Mechanical; Hong Kong 1.00
	B12311249	Coin Drop	Mechanical; Hong Kong 5.00
	B12311301	Coin Drop	Mechanical; U.S. \$.25
	B12311302	Coin Drop	Mechanical; U.S. \$.25 and \$1.00
	B12311304	Coin Drop	Mechanical; Canada 1.00 and .25
	B12323401	Coin Drop	Mechanical; Singapore 1.00
6	209/00600/01P	Switch	
7	209/00396/00	Pushbutton	
8	152/00112/00	Mechanical Coin Meter Housing	
9	111/01001/00	Top Panel	Gray
	111/01000/00	Front Plate	Black
10	217/00060/00	Fastening Piece	
11	111/01002/00	Backplate	
12	204/00116/00	Nut	

Coin Drop - Electronic Coin Meter

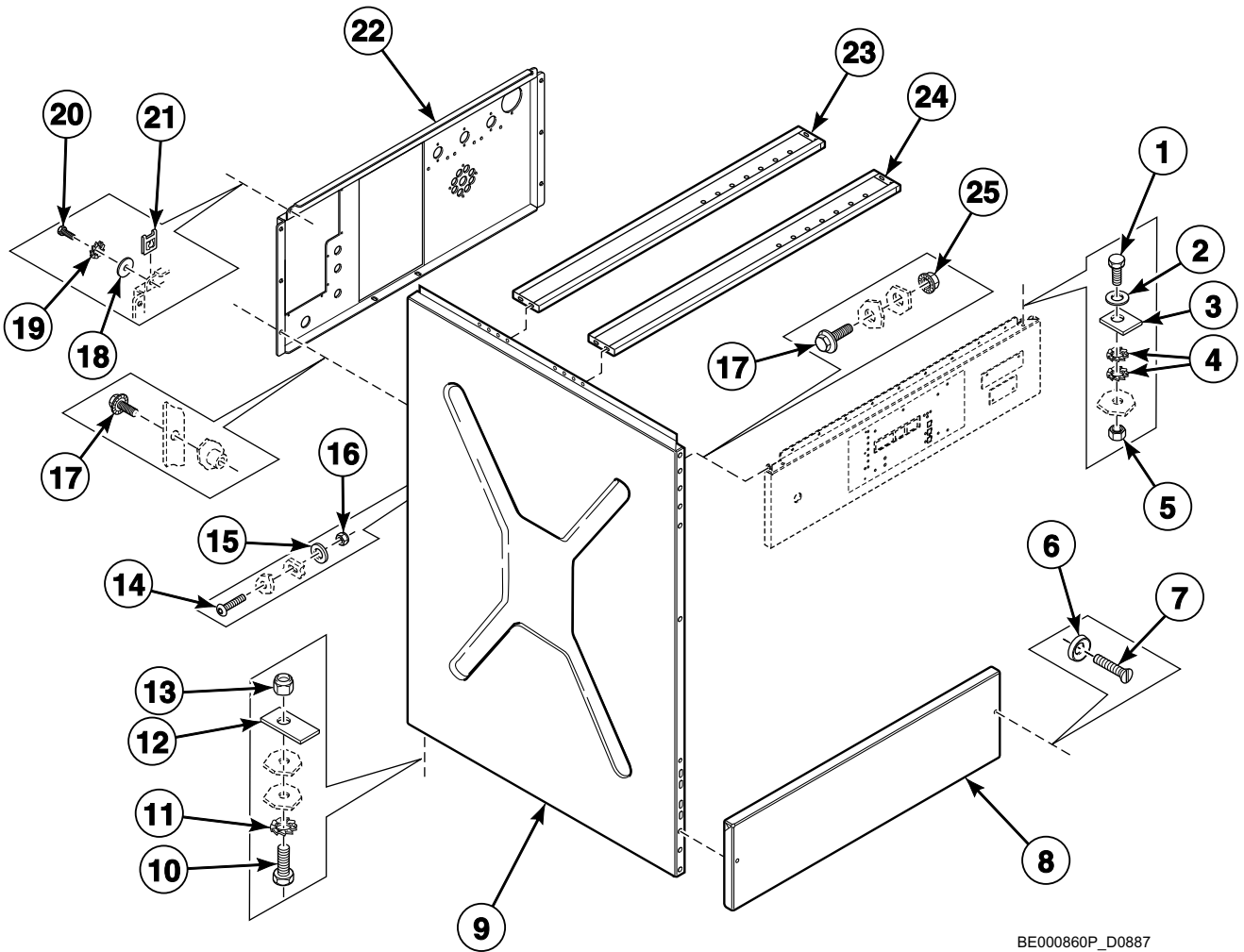


CFD511P_D0887

Coin Drop - Electronic Coin Meter

REF	PART NO.	DESCRIPTION	COMMENTS
1	254/00077/00	Coin Box	
	254/00077/02	Key	
2	209/00682/00	Transformer	
3	209/00683/00	Input Block	
4	204/00008/00	Nut	
5	B12311401	Coin Drop	Cygnus control models
6	209/00396/00	Pushbutton	
7	152/00112/50	Electronic Coin Meter Housing	
8	208/00002/00	Nut	
9	208/00014/00	Screw	
10	111/01001/00	Top Panel	Gray
	111/01000/00	Front Plate	Black
11	217/00060/00	Fastening Piece	
12	111/01002/00	Backplate	
13	204/00116/00	Nut	

Left Side, Lower Front and Upper Back Panels - *55 and *235 Models with Older Style Soap Dispenser Crossbar

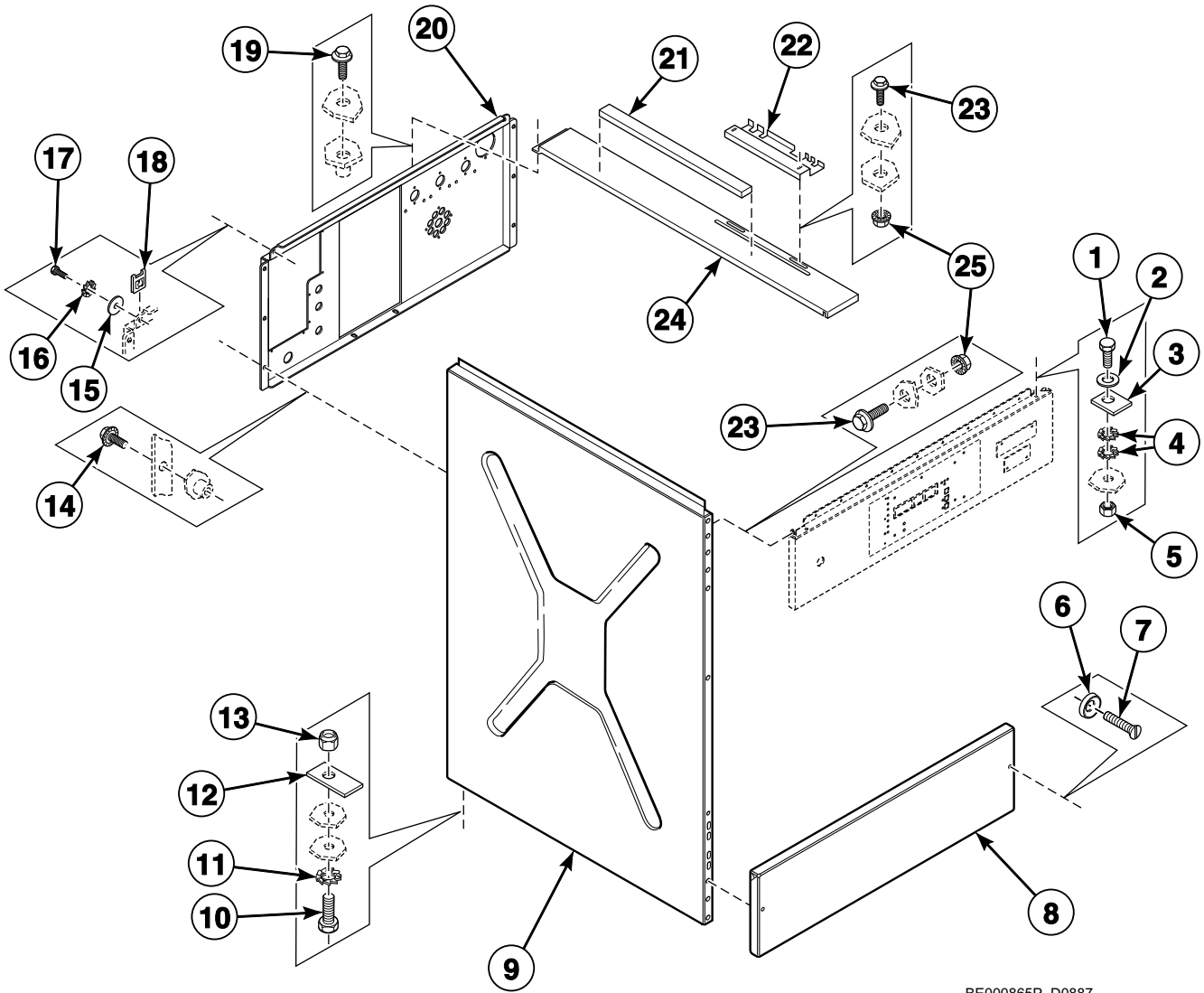


BE000860P_D0887

Left Side, Lower Front and Upper Back Panels - *55 and *235 Models with Older Style Soap Dispenser Crossbar

REF	PART NO.	DESCRIPTION	COMMENTS
1	205/00106/00	Bolt	
2	202/00003/00	Washer	
3	117/00042/00	Retaining Ring	
4	203/00005/00	Washer	
5	204/00006/00	Nut	
6	208/00009/00	Washer	
7	207/00101/00	Screw	
8	111/00300/00	Kickplate	
9	140/60027/00	Side Panel	Left
10	205/00105/00	Bolt	
11	203/00004/00	Washer	
12	101/00007/00	Outlet Pipe Plate Assembly	
13	204/00009/00	Nut	
14	207/00032/00	Screw	
15	202/00006/00	Washer	
16	204/00007/00	Nut	
17	206/00099/00	Bolt	
18	201/00006/00	Washer	
19	203/00015/00	Washer	
20	208/00014/00	Screw	
21	208/00025/00	Nut	
22	111/00304/00	Backbridge	
23	111/10100/10	Soap Dispenser Front	
24	111/10100/00	Soap Dispenser Back	
25	206/00101/00	Nut	

Left Side, Lower Front and Upper Back Panels - *75 and *305 Models with Older Style Soap Dispenser Crossbar

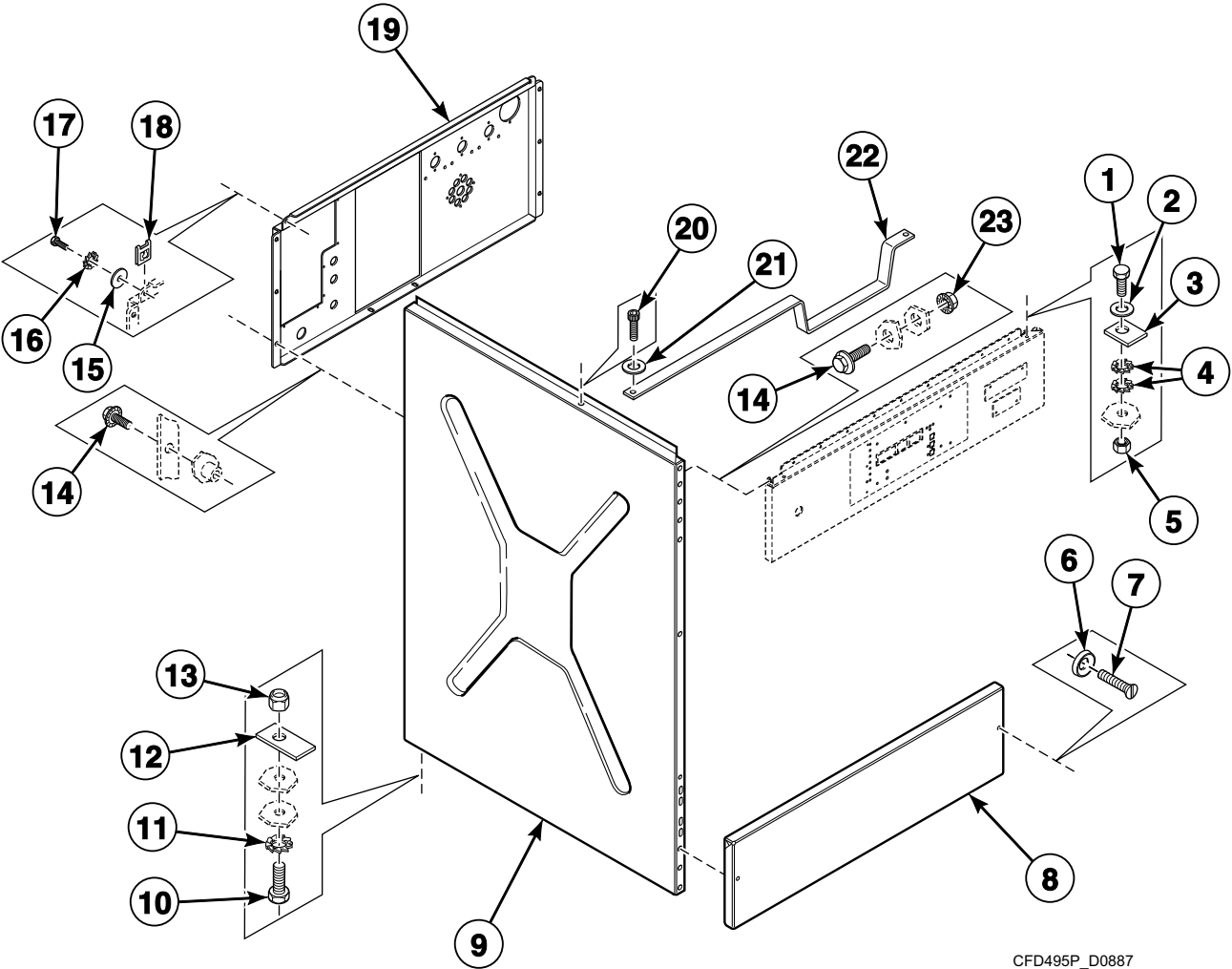


BE000865P_D0887

Left Side, Lower Front and Upper Back Panels - *75 and *305 Models with Older Style Soap Dispenser Crossbar

REF	PART NO.	DESCRIPTION	COMMENTS
1	205/00106/00	Bolt	
2	202/00003/00	Washer	
3	117/00042/00	Retaining Ring	
4	203/00005/00	Washer	
5	204/00006/00	Nut	
6	208/00009/00	Washer	
7	207/00101/00	Screw	
8	111/00333/00	Kickplate	
9	111/60038/00	Side Panel	Left
10	205/00105/00	Bolt	
11	203/00004/00	Washer	
12	101/00007/00	Outlet Pipe Plate Assembly	
13	204/00009/00	Nut	
14	206/00099/00	Bolt	
15	201/00006/00	Washer	
16	203/00015/00	Washer	
17	208/00014/00	Screw	
18	208/00025/00	Nut	
19	206/00099/00	Bolt	
20	111/00334/10	Backbridge	
21	246/00149/00	Gasket	
22	111/00117/00	Soap Box Support Plate	
23	206/00099/00	Bolt	
24	111/00156/00	Soap Dispenser Crossbar	
25	206/00101/00	Nut	

Left Side, Lower Front and Upper Back Panels with Newer Style Soap Dispenser Crossbar

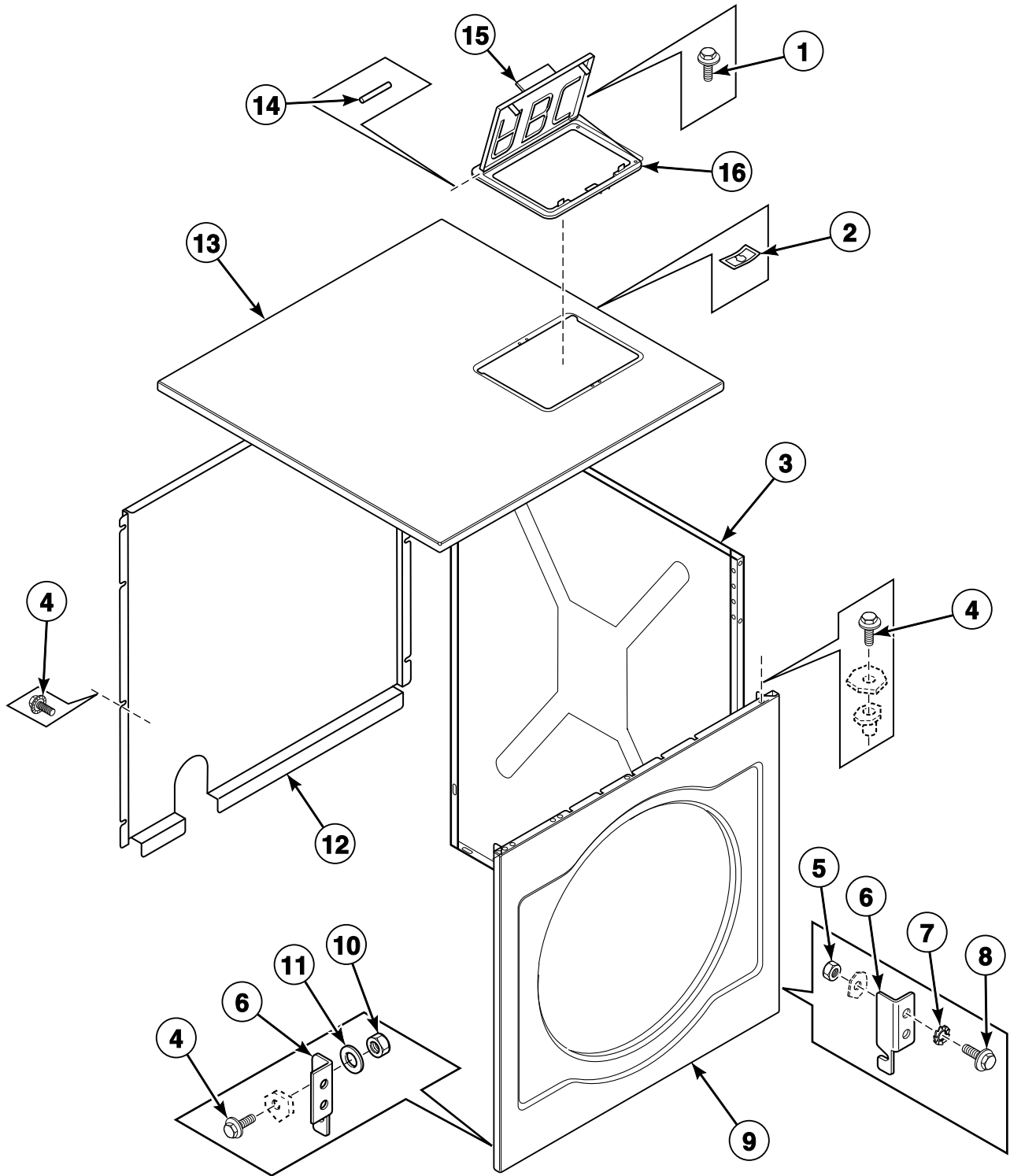


CFD495P_D0887

Left Side, Lower Front and Upper Back Panels with Newer Style Soap Dispenser Crossbar

REF	PART NO.	DESCRIPTION	COMMENTS
1	205/00106/00	Bolt	
2	202/00003/00	Washer	
3	117/00042/00	Retaining Ring	
4	203/00005/00	Washer	
5	204/00006/00	Nut	
6	208/00009/00	Washer	
7	207/00101/00	Screw	
8	111/00333/00	Kickplate	
9	111/60038/00	Side Panel	*75 and *305 models; Left
	140/60027/00	Side Panel	*55 and *235 models; Left
	133/60127/00	Side Panel	*90 and *400 models; Left
10	205/00105/00	Bolt	
11	203/00004/00	Washer	
12	101/00007/00	Outlet Pipe Plate Assembly	
13	204/00009/00	Nut	
14	206/00099/00	Bolt	
15	201/00006/00	Washer	
16	203/00015/00	Washer	
17	208/00014/00	Screw	
18	208/00025/00	Nut	
19	111/00304/00	Backbridge	
20	206/00166/00	Screw	
21	B12421401	Washer	
22	111/10100/11	Soap Dispenser Crossbar	*55 and *235 models
	111/00156/11	Powder Bin Crossbar	*75, *90, *305 and *400 models
23	206/00101/00	Nut	

Right Side, Front, Lower Rear and Top Panels

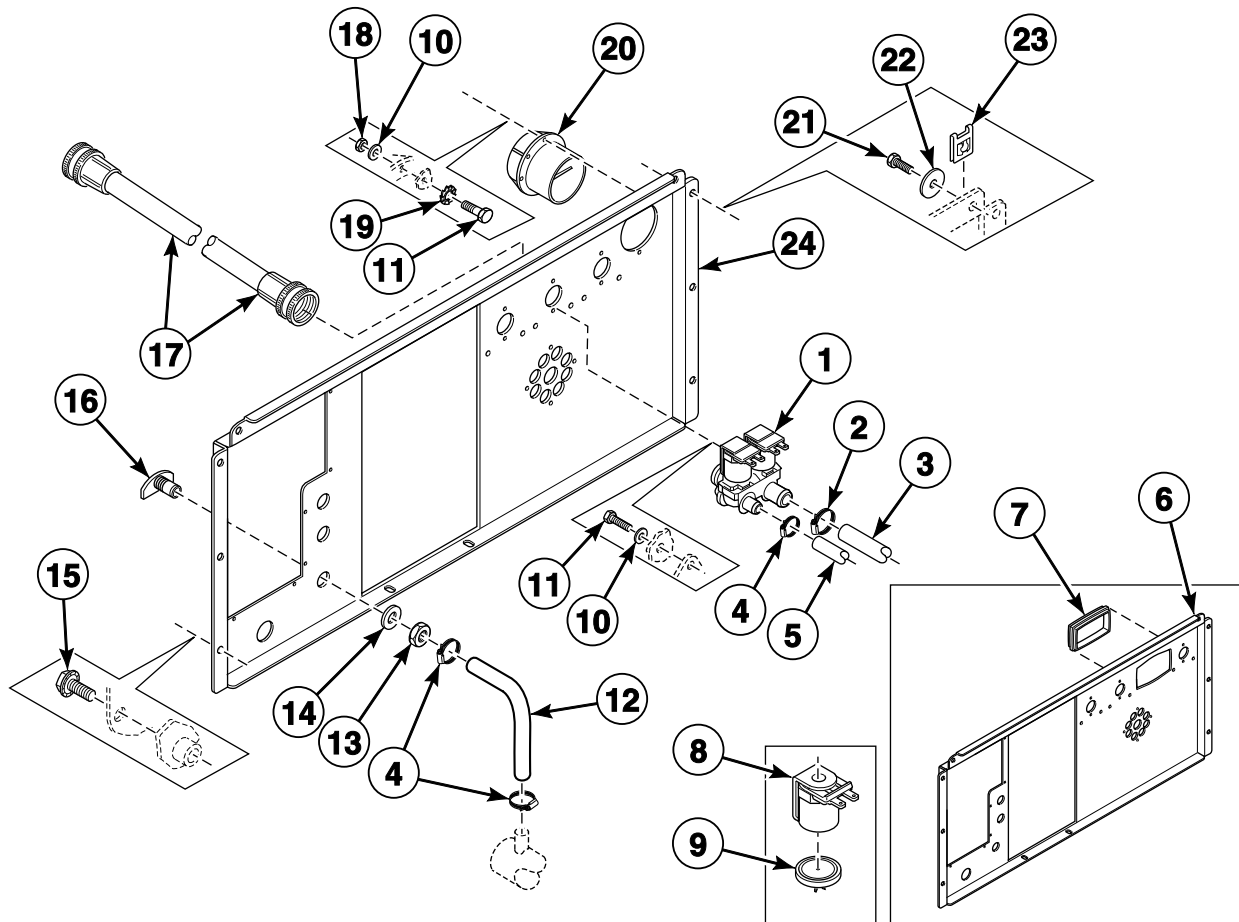


BE000861P_D0887

Right Side, Front, Lower Rear and Top Panels

REF	PART NO.	DESCRIPTION	COMMENTS
1	207/00103/00	Screw	
2	208/00104/00	Nut	
3	140/60028/00	Side Panel	*55 and *235 models; Right
	111/60038/50	Side Panel	*75 and *305 models; Right
	133/60128/00	Side Panel	*90 and *400 models; Right
4	206/00099/00	Bolt	
5	204/00107/00	Nut	
6	111/10089/01	Reinforcement Plate	
7	203/00005/00	Washer	
8	206/00016/00	Bolt	
9	111/00293/00	Front Panel	*55 and *235 models
	111/00332/00	Front Panel	*75, *90, *305 and *400 models
10	204/00106/00	Nut	
11	201/00007/00	Washer	
12	111/00335/00	Back Panel	*75, *90, *305 and *400 models
	111/00302/00	Back Panel	*55 and *235 models
13	140/00046/00	Top Panel	*55 and *235 models
	111/00330/00	Top Panel	*75 and *305 models
	111/05017/00	Top Panel	*90 and *400 models
14	223/00103/04	Soap Dispenser Cover Hinge Rod	2 required
15	223/00103/01	Soap Dispenser Cover	
16	223/00103/03	Soap Dispenser Frame	

Water Inlet Valves

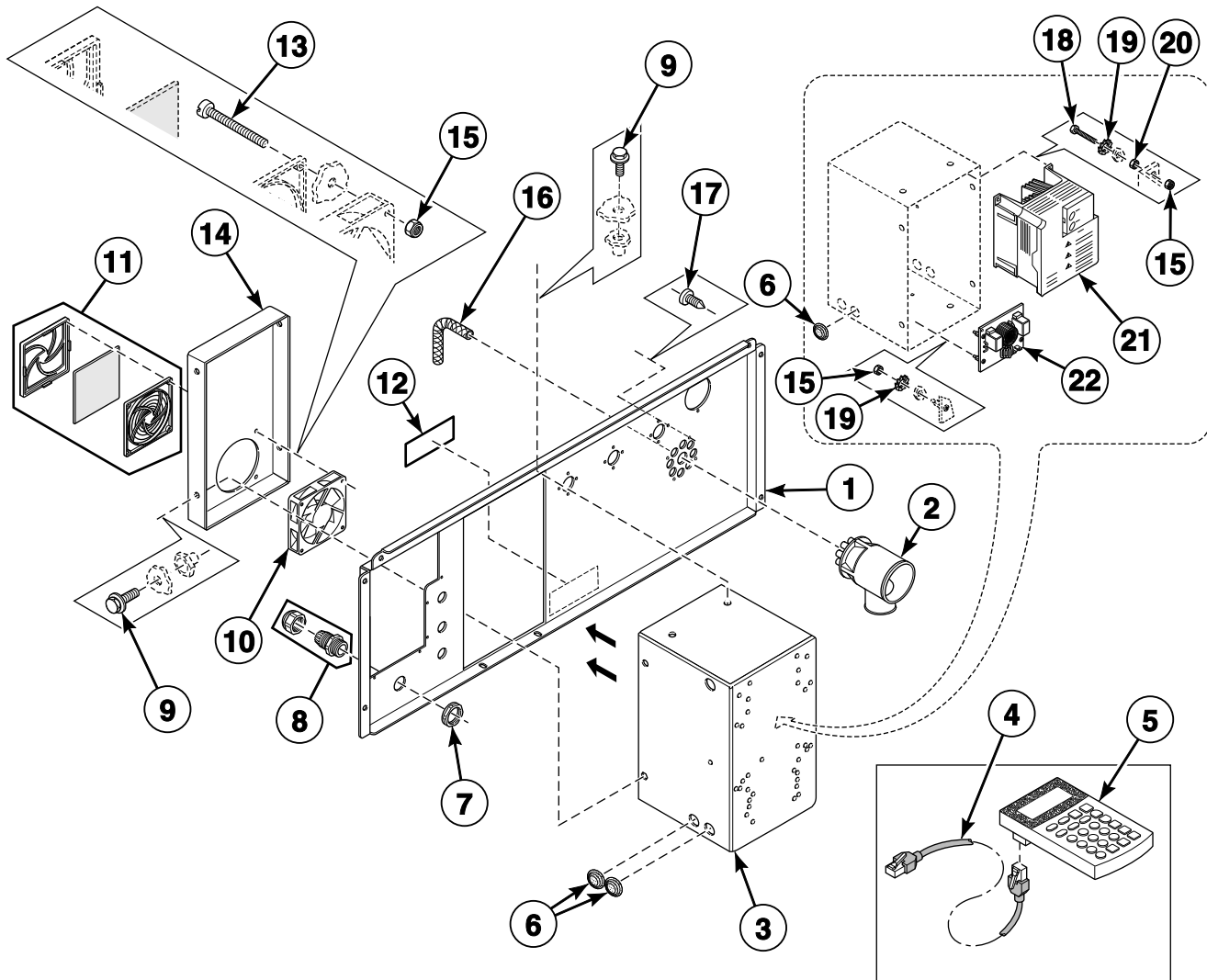


CFD326P_D0887

Water Inlet Valves

REF	PART NO.	DESCRIPTION	COMMENTS
1	209/00316/00	2-Way Inlet Valve	Metric thread; Uses F380939 Valve Repair Kit
	209/00419/00	2-Way Inlet Valve	Standard thread; Uses F380939 Valve Repair Kit
2	223/00011/00	Hose Clamp	
3	223/00059/00	Water Hose	
4	223/00010/00	Hose Clamp	
5	223/00044/01	Water Hose	
6	111/00304/10	Backbridge	*55 and *235 models; Rectangular vent opening
	111/00334/20	Backbridge	*75, *90, *305 and *400 models; Rectangular vent opening
7	223/00226/00	Vent Tube	
8	209/00090/01	Inlet Valve Solenoid	
9	209/00316/02	Diaphragm	
10	202/00004/00	Washer	
11	206/00027/00	Bolt	
12	223/00044/01	Water Hose	
13	204/00201/00	Nut	
14	201/00002/00	Washer	
15	206/00099/00	Bolt	
16	223/00001/04	Prewash and Mainwash Nozzle	
17	F200164	Water Hose	Standard thread
	F200166	Water Hose	Metric thread
18	204/00007/00	Nut	
19	203/00006/00	Washer	
20	223/00102/07	Hose Vent	
21	208/00014/00	Screw	
22	201/00006/00	Washer	
23	208/00002/00	Nut	
24	111/00304/00	Backbridge	*55 and *235 models; Circular vent opening
	111/00334/10	Backbridge	*75, *90, *305 and *400 models; Circular vent opening

Inverter Drive - *55 and *235 Models



CFD424P_D0887

Inverter Drive - *55 and *235 Models

REF	PART NO.	DESCRIPTION	COMMENTS
1	111/00304/00	Backbridge	
2	223/00249/00	Liquid Soap Manifold	
3	111/01150/00	Inverter Drive Box	
4	227/00171/10	Parameter Unit Program Cable	
5	227/00171/00	Parameter Unit Assembly	Hand held
	F8410901	Parameter Unit Assembly	Inverter mounted; Used with 500 series inverter drives
6	223/00174/00	Grommet	
7	211/00171/00	Nut	
8	211/00182/00	Nut	
9	206/00099/00	Bolt	
10	209/00287/00	Cooling Fan	
11	209/00287/11	AC Drive Filter	Includes filter and holder
	209/00287/21	Filter	Filter only
12	B12355001	Voltage Discharge Decal	
13	207/00021/00	Screw	
14	111/01158/11	Inverter Box Cover	
15	204/00114/00	Nut	
16	223/00179/10	Pressure Hose	
17	208/00130/00	Screw	
18	206/00088/00	Bolt	
19	203/00006/00	Washer	
20	204/00007/00	Nut	
21	N/A	Inverter Drive	FR-E520 series; 1 x 230 Volt
	227/00168/00	Inverter Drive	FR-E540 series; 3 x 400 Volt
	227/00237/00	Inverter Drive	FR-D740 series; 3 x 400 Volt; Cygnus control models
	227/00229/00	Inverter Drive	FR-D720 series; 1 x 230 Volt; Cygnus control models
	F8420321	Drive	Micro-20, PS40F and Sigma control models; 700-series; 200 Volt/1 Phase; Models with 1.5 kW motor
	F8420322	Drive	Micro-20, PS40F and Sigma control models; 700-series; 400 Volt/3 Phase; Models with 1.5 kW motor
	F8420221	Inverter Kit	Micro-20, PS40F and Sigma control models; Used to convert 500-series to 700-series inverter drive; 200 Volt/1 Phase; Models with 1.5 kW motor; Includes F8420321 Drive, F8409501 Mounting Plate Assembly and F430903 Screw
	F8420222	Inverter Kit	Micro-20, PS40F and Sigma control models; Used to convert 500-series to 700-series inverter drive; 400 Volt/3 Phase; Models with 1.5 kW motor; Includes F8420322 Drive, F8409501 Mounting Plate Assembly and F430903 Screw
22	B12339401	Noise Filter	

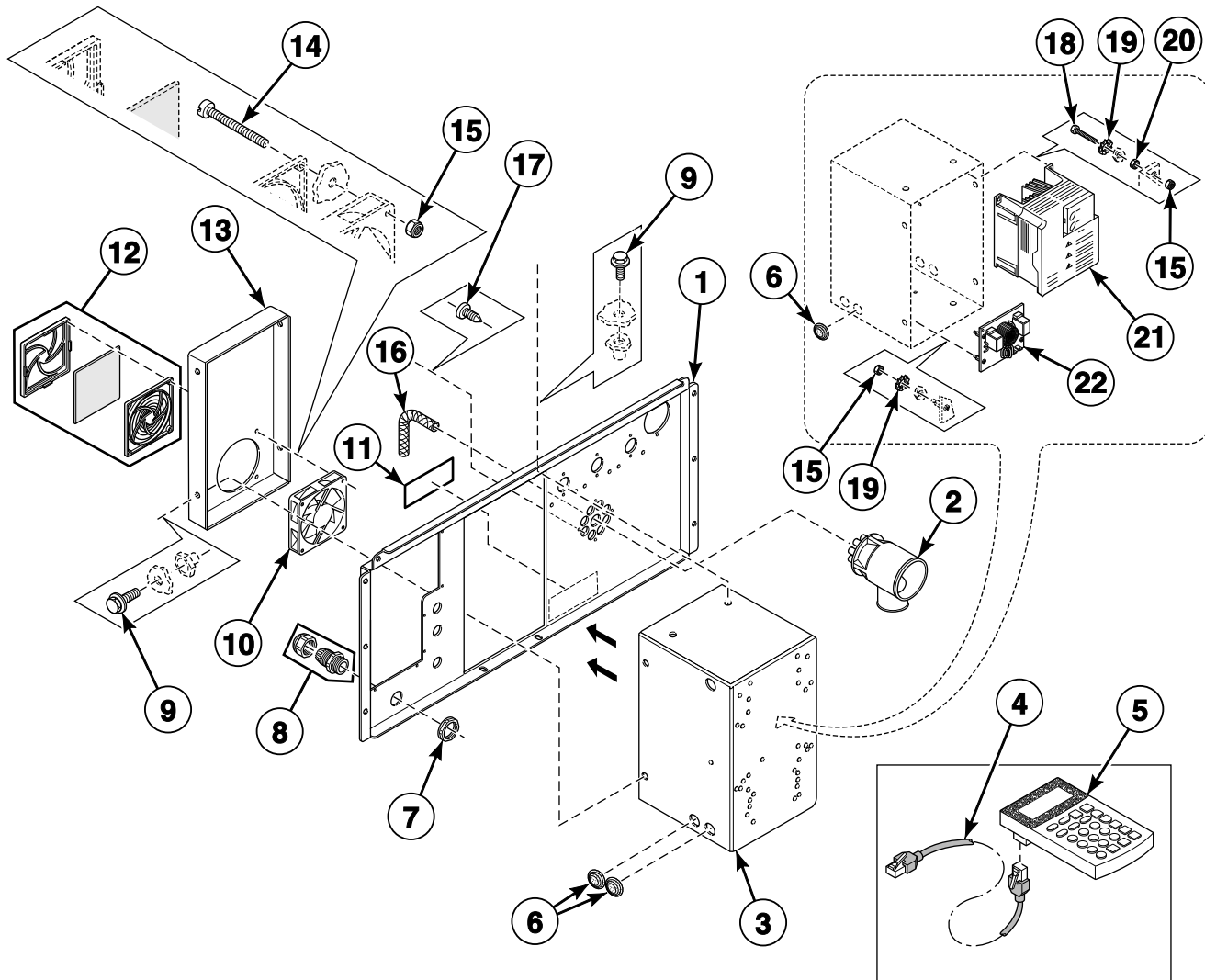
N/A = Part no longer available

Inverter Drive - *75 and *305 Models

REF	PART NO.	DESCRIPTION	COMMENTS
1	111/00334/10	Backbridge	
2	223/00249/00	Liquid Soap Manifold	
3	111/01149/00	Inverter Drive Box	
4	227/00171/10	Parameter Unit Program Cable	
5	227/00171/00	Parameter Unit Assembly	Hand held
	F8410901	Parameter Unit Assembly	Inverter mounted; Used with 500 series inverter drives
6	223/00174/00	Grommet	
7	211/00171/00	Nut	
8	211/00182/00	Nut	
9	206/00099/00	Bolt	
10	209/00287/00	Cooling Fan	
11	B12355001	Voltage Discharge Decal	
12	209/00287/11	AC Drive Filter	Includes filter and holder
	209/00287/21	Filter	Filter only
13	111/01158/11	Inverter Box Cover	
14	207/00021/00	Screw	
15	204/00114/00	Nut	
16	223/00179/10	Pressure Hose	
17	208/00130/00	Screw	
18	206/00088/00	Bolt	
19	203/00006/00	Washer	
20	204/00007/00	Nut	
21	N/A	Inverter Drive	FR-E520 series; 1 x 230 Volt
	227/00168/00	Inverter Drive	FR-E540 series; 3 x 400 Volt
	227/00237/00	Inverter Drive	FR-D740 series; 3 x 400 Volt; Cygnus control models
	227/00229/00	Inverter Drive	FR-D720 series; 1 x 230 Volt; Cygnus control models
	F8420323	Drive	Micro-20, PS40F and Sigma control models; 700-series; 200 Volt/1 Phase; Models with 2.2 kW motor
	F8420324	Drive	Micro-20, PS40F and Sigma control models; 700-series; 400 Volt/3 Phase; Models with 2.2 kW motor
	F8420223	Inverter Kit	Micro-20, PS40F and Sigma control models; Used to convert 500-series to 700-series inverter drive; 200 Volt/1 Phase; Models with 2.2 kW motor; Includes F8420323 Drive, F8409501 Mounting Plate Assembly and F430903 Screw
	F8420224	Inverter Kit	Micro-20, PS40F and Sigma control models; Used to convert 500-series to 700-series inverter drive; 400 Volt/3 Phase; Models with 2.2 kW motor; Includes F8420324 Drive, F8409501 Mounting Plate Assembly and F430903 Screw
22	B12339401	Noise Filter	

N/A = Part no longer available

Inverter Drive - *90 and *400 Models



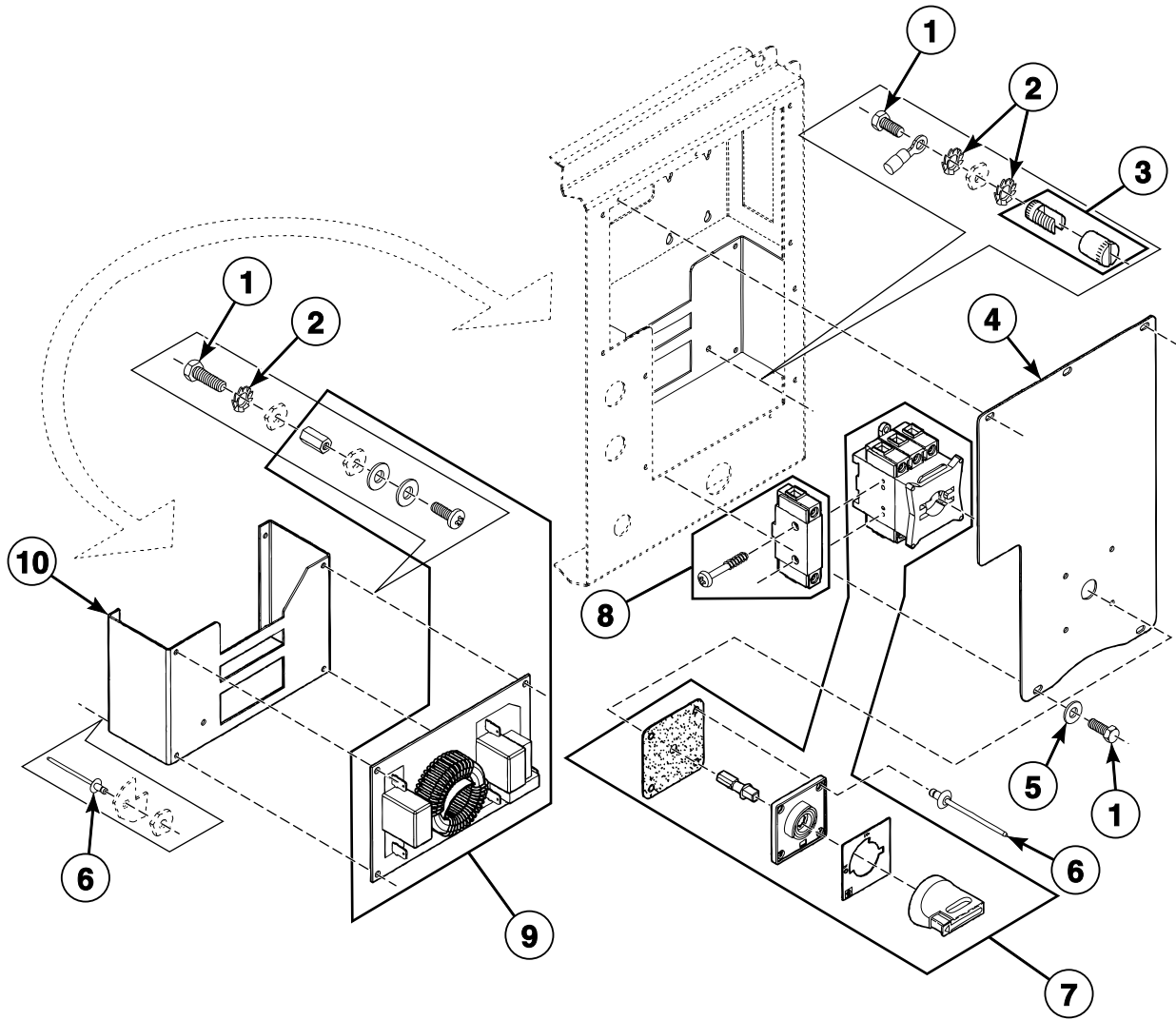
CFD425P_D0887

Inverter Drive - *90 and *400 Models

REF	PART NO.	DESCRIPTION	COMMENTS
1	111/00334/10	Backbridge	
2	223/00249/00	Liquid Soap Manifold	
3	111/01149/00	Inverter Drive Box	
4	227/00171/10	Parameter Unit Program Cable	
5	227/00171/00	Parameter Unit Assembly	Hand held
	F8410901	Parameter Unit Assembly	Inverter mounted; Used with 500 series inverter drives
6	223/00174/00	Grommet	
7	211/00171/00	Nut	
8	211/00182/00	Nut	
9	206/00099/00	Bolt	
10	209/00287/00	Cooling Fan	
11	B12355001	Voltage Discharge Decal	
12	209/00287/11	AC Drive Filter	Includes filter and holder
	209/00287/21	Filter	Filter only
13	111/01158/11	Inverter Box Cover	
14	207/00021/00	Screw	
15	204/00114/00	Nut	
16	223/00179/10	Pressure Hose	
17	208/00130/00	Screw	
18	206/00088/00	Bolt	
19	203/00006/00	Washer	
20	204/00007/00	Nut	
21	N/A	Inverter	FR-E520 series; 1 x 230 Volt
	227/00169/00	Inverter	FR-E540 series; 3 x 400 Volt
	227/00238/00	Inverter	FR-D740 series; 3 x 400 Volt; Cygnus control models
	227/00230/00	Inverter	FR-D720 series; 1 x 230 Volt; Cygnus control models
	F8420325	Drive	Micro-20, PS40F and Sigma control models; 700-series; 200 Volt/1 Phase; Models with 3.0 kW motor
	F8420326	Drive	Micro-20, PS40F and Sigma control models; 700-series; 400 Volt/3 Phase; Models with 3.0 kW motor
	F8420225	Inverter Kit	Micro-20, PS40F and Sigma control models; Used to convert 500-series to 700-series inverter drive; 200 Volt/1 Phase; Models with 3.0 kW motor; Includes F8420325 Drive
	F8420226	Inverter Kit	Micro-20, PS40F and Sigma control models; Used to convert 500-series to 700-series inverter drive; 400 Volt/3 Phase; Models with 3.0 kW motor; Includes F8420326 Drive, F8409501 Mounting Plate Assembly and F430903 Screw
22	B12339401	Noise Filter	

N/A = Part no longer available

Main Switch and Noise Filter

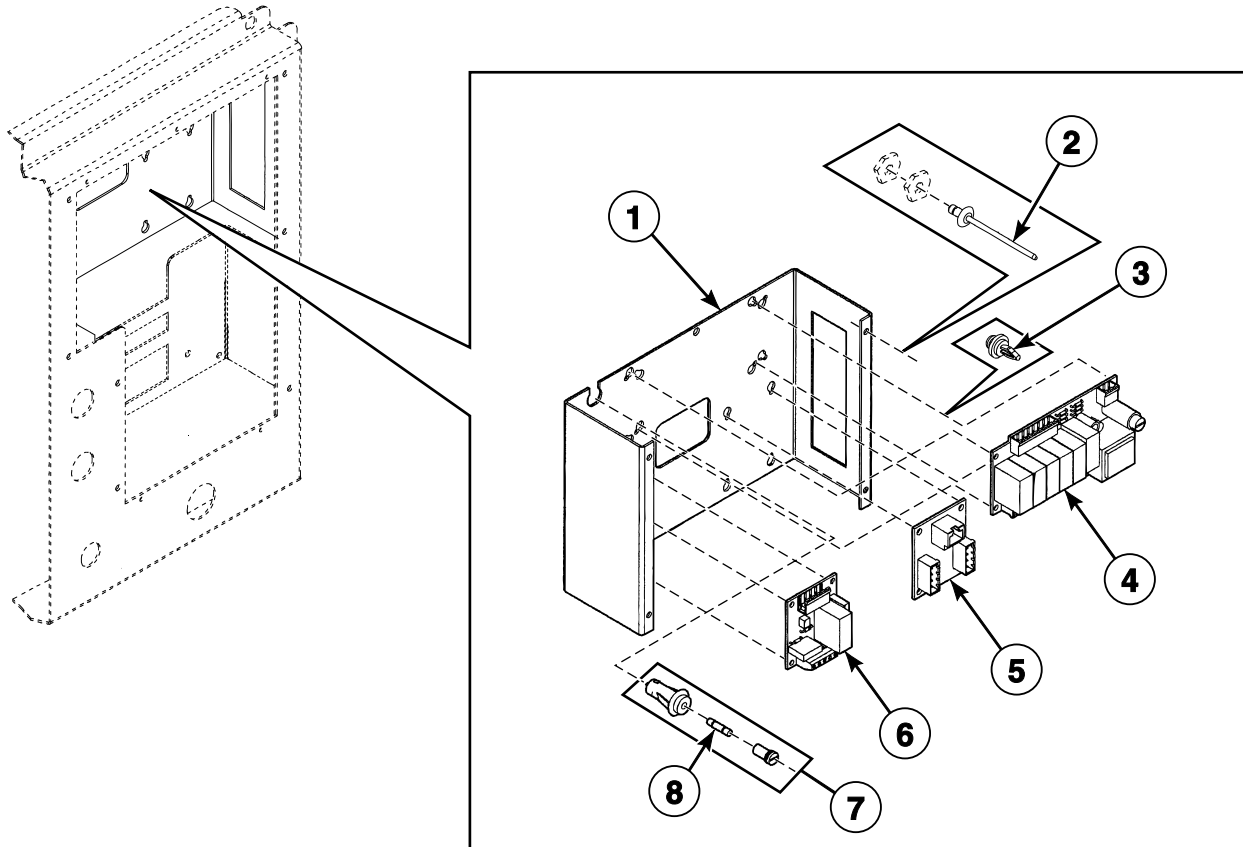


BE000799P_D0887

Main Switch and Noise Filter

REF	PART NO.	DESCRIPTION	COMMENTS
1	206/00027/00	Bolt	
2	203/00006/00	Washer	
3	209/00006/01	Ground Terminal	
4	111/01834/00	Main Switch Cover	
5	202/00004/00	Washer	
6	208/00017/00	Rivet	
7	209/00529/00	Main Switch	25A
	209/00672/00	Main Switch	40A
	209/00526/00	Main Switch	80A
8	209/00530/00	Terminal Block	25A
	209/00527/00	Terminal Block	63/80A
9	227/00177/00	Filter	16A1
	227/00242/00	Noise Filter	16A3
	227/00179/00	Filter	40A3
	227/00180/00	Filter	45A1
	227/00183/00	Filter	53A3
10	111/01837/01	Filter Bracket	

Central Operating Panel, Network Connection and Soap Injection Printboards

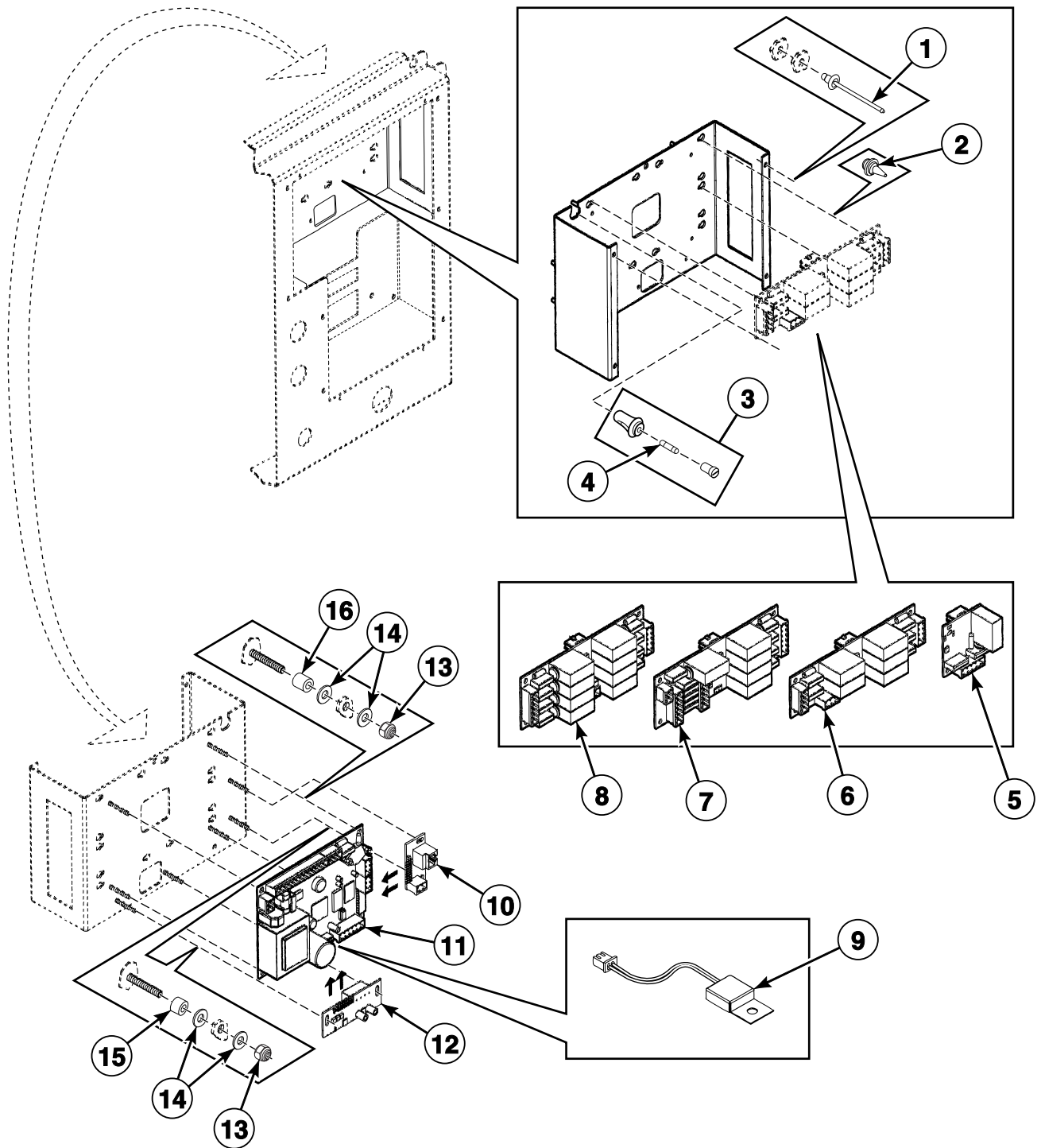


BE000800P_D0887

Central Operating Panel, Network Connection and Soap Injection Printboards

REF	PART NO.	DESCRIPTION	COMMENTS
1	111/01838/10	Printboard Support	
2	208/00017/00	Rivet	
3	211/00146/00	Standoff	
4	209/00218/13	Soap Injection PCB with Fuse	
5	209/00540/01	Network Connection Printboard	
6	209/00438/50	Central Control Board	
7	209/00202/00	Fuse Holder	Includes item 8
	209/00202/01	Fuse Holder	
8	209/00468/00	Fuse	3 Amp

Relay, Network Connection and Main Printboards - Cygnus Models

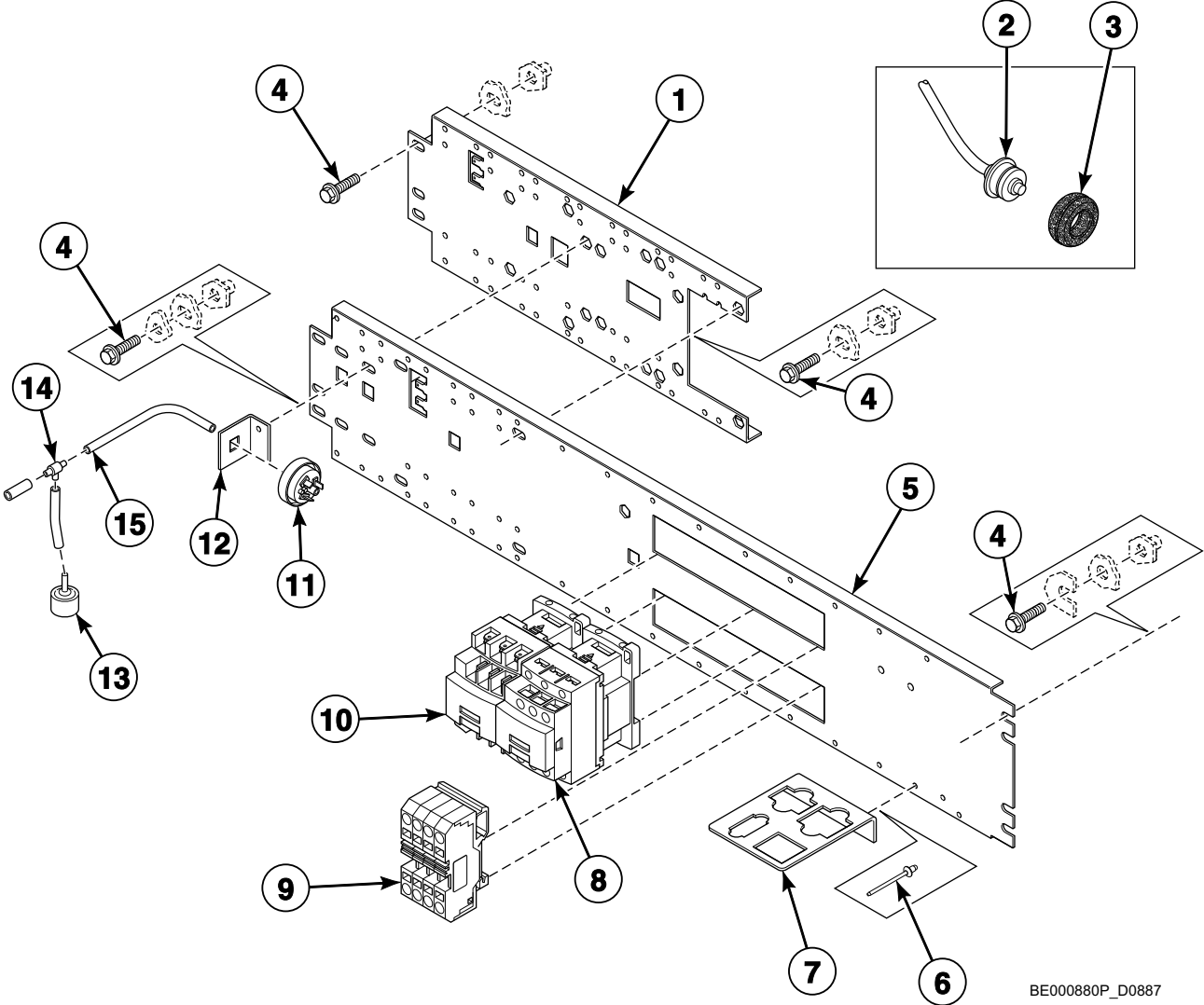


BE000801AP_D0887

Relay, Network Connection and Main Printboards - Cygnus Models

REF	PART NO.	DESCRIPTION	COMMENTS
1	208/00017/00	Rivet	
2	211/00146/00	Standoff	
3	209/00202/00	Fuse Holder	
	209/00202/01	Fuse Holder	Includes item 4
4	209/00468/00	Fuse	3 Amp
5	209/02016/00	Relay PC-Board	1-1
6	209/02005/00	Detergent PC-Board	1-5
7	209/02014/00	Relay PC-Board	5-5
8	209/02008/00	Detergent PC-Board	1-8
9	209/02020/00	ID Chip	
10	209/02006/00	Inverter PC-Board	
11	209/02025/00	Microprocessor	
12	209/02007/00	Network Connection Printboard	
13	204/00116/00	Nut	
14	223/00123/00	Washer	
15	211/00128/00	Printboard Separator	
16	211/00122/00	Standoff	

Electrical Component Mounting Plate - *55, *75, *235 and *305 Models (Drawing 1 of 2)

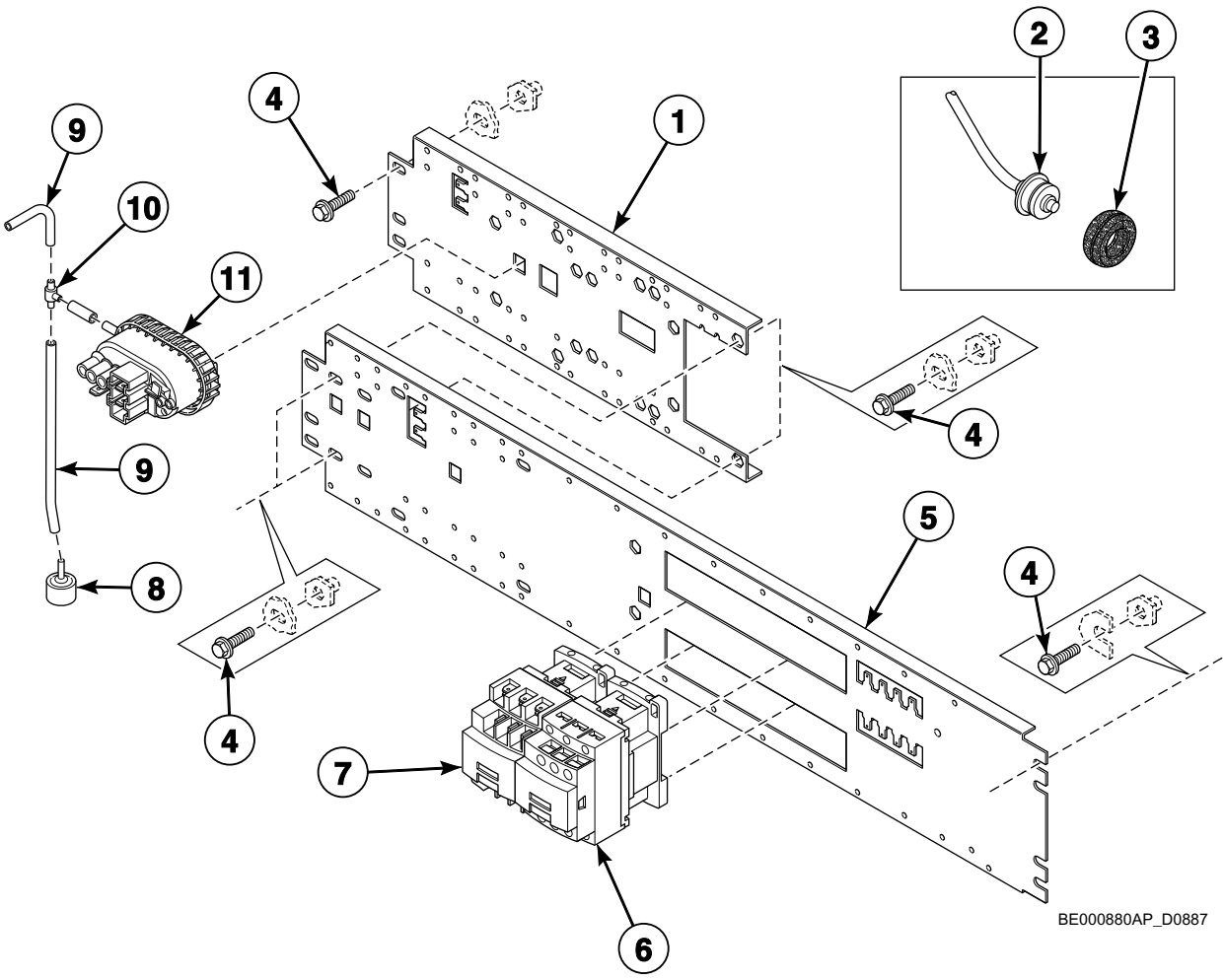


BE000880P_D0887

Electrical Component Mounting Plate - *55, *75, *235 and *305 Models (Drawing 1 of 2)

REF	PART NO.	DESCRIPTION	COMMENTS
1	111/10003/40	Electrical Component Mounting Plate	
2	210/01304/16	Thermostat	Micro-20, Sigma and PS40F control models
	210/01064/16	Thermostat	Cygnus control models
3	225/10004/00	Thermostat Seal	
4	206/00099/00	Bolt	
5	111/10004/00	Electrical Component Plate	
6	208/00017/00	Rivet	
7	111/10003/10	Support Connector	
8	209/06148/02	Heating Contactor	
9	209/00641/04	Heating Contactor	
10	209/00619/00	Overload Contactor	2 pole; 6 mm; Gray; 2006-1201
	209/00620/00	Overload Contactor	2 pole; 6 mm; Blue; 2006-1204
	209/00621/00	Overload Contactor	3 pole; 6 mm; Blue; 2006-1304
	209/00622/00	Overload Contactor	3 pole; 6 mm; Gray; 2006-1301
	209/00623/00	Overload Contactor	2 pole; 10 mm; Gray; 2010-1201
	209/00624/00	Overload Contactor	2 pole; 10 mm; Blue; 2010-1204
	209/00625/00	Overload Contactor	3 pole; 10 mm; Gray; 2010-1301
	209/00619/01	Connection Clamp	2 pole; 6 mm; Final plate
	209/00622/01	Connection Clamp	3 pole; 6 mm; Final plate
209/00625/01	Connection Clamp	3 pole; 10 mm; Final plate	
11	209/00007/50	Pressure Switch	
12	111/10004/10	Electrical Component Plate	
13	223/00035/02	Pressure Switch Cap	
14	223/00173/10	Pressure Switch Hose Tee	
15	223/00333/00	Pressure Hose	

Electrical Component Mounting Plate - *55, *75, *235 and *305 Models (Drawing 2 of 2)

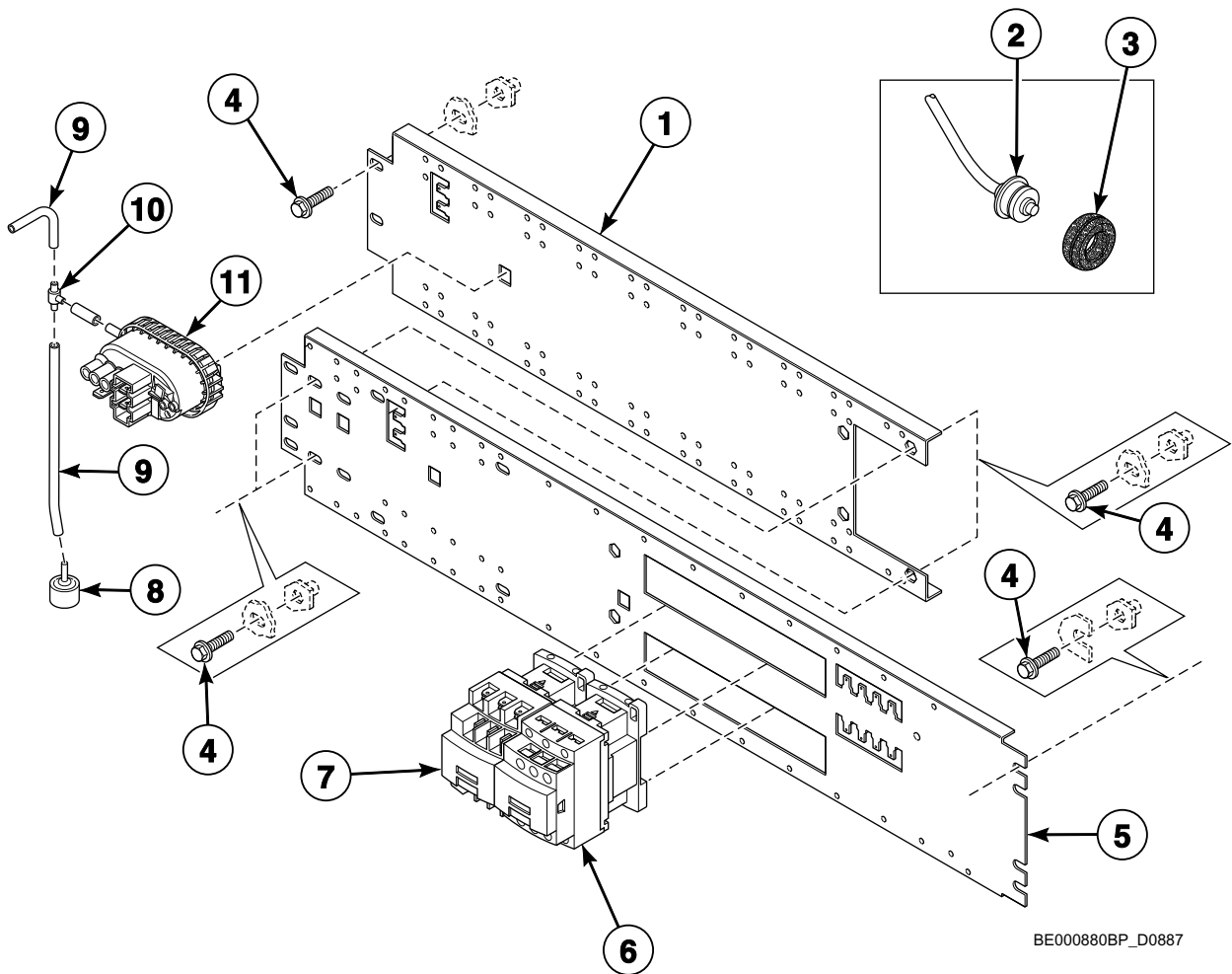


BE000880AP_D0887

Electrical Component Mounting Plate - *55, *75, *235 and *305 Models (Drawing 2 of 2)

REF	PART NO.	DESCRIPTION	COMMENTS
1	111/10003/40	Electrical Component Mounting Plate	
2	210/01304/16	Thermostat	Micro-20, Sigma and PS40F control models
	210/01064/16	Thermostat	Cygnus control models
3	225/10004/00	Thermostat Seal	
4	206/00099/00	Bolt	
5	111/10005/00	Electrical Component Bridge	
6	209/06148/02	Heating Contactor	
7	209/00641/04	Heating Contactor	
8	223/00035/02	Pressure Switch Cap	
9	223/00333/00	Pressure Hose	
10	223/00173/10	Pressure Switch Hose Tee	
11	209/00027/10	Pressure Switch	

Electrical Component Mounting Plate - *90 and *400 Models

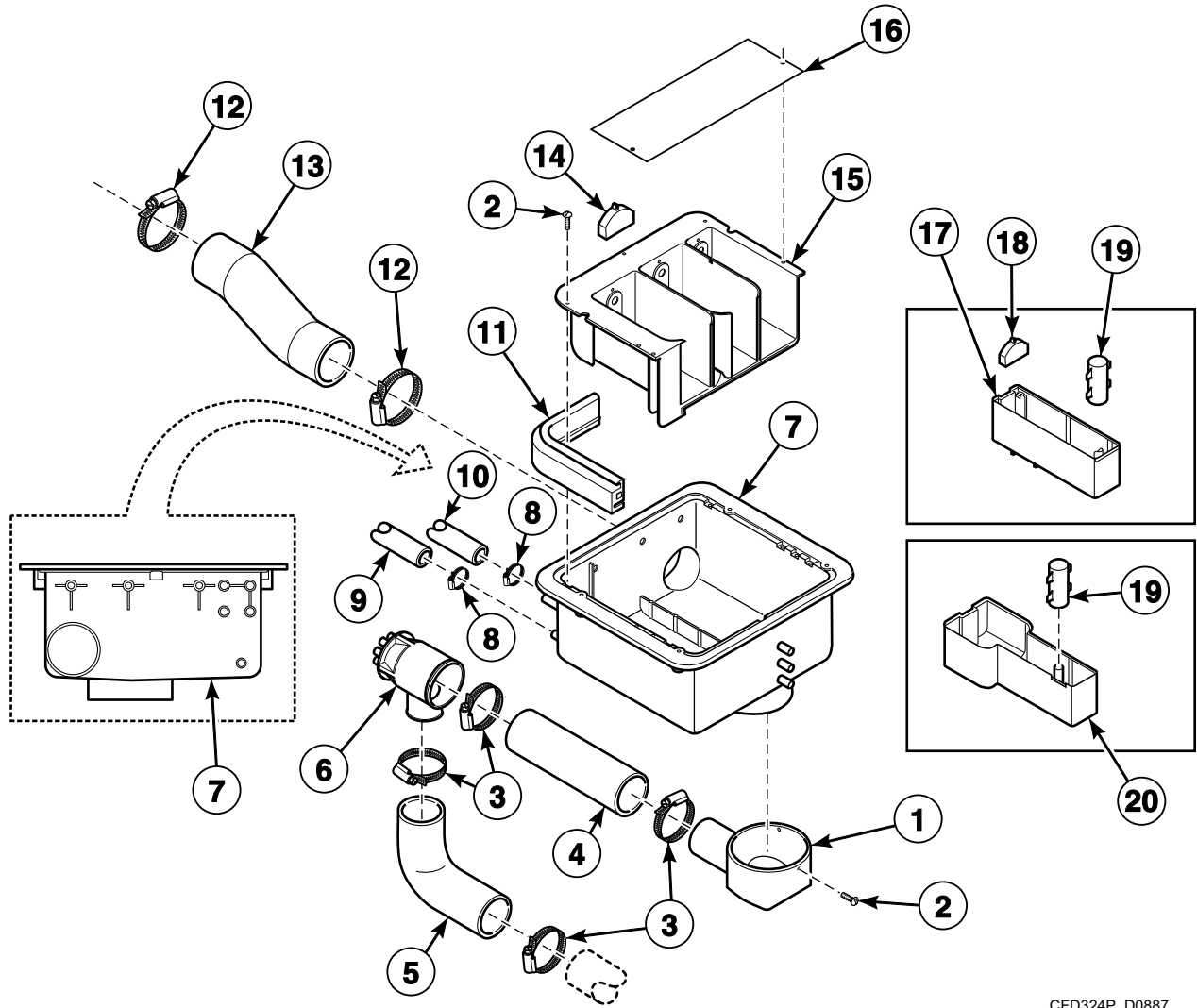


BE000880BP_D0887

Electrical Component Mounting Plate - *90 and *400 Models

REF	PART NO.	DESCRIPTION	COMMENTS
1	111/10004/20	Electrical Component Bridge	
2	210/01304/16	Thermostat	Micro-20, Sigma and PS40F control models
	210/01064/16	Thermostat	Cygnus control models
3	225/10004/00	Thermostat Seal	
4	206/00099/00	Bolt	
5	111/10005/00	Electrical Component Bridge	
6	209/06148/02	Heating Contactor	
7	209/00641/04	Heating Contactor	
8	223/00035/02	Pressure Switch Cap	
9	223/00333/00	Pressure Hose	
10	223/00173/10	Pressure Switch Hose Tee	
11	209/00027/10	Pressure Switch	

Supply Dispenser - *55 and *235 Models with Circular Ventilation Opening

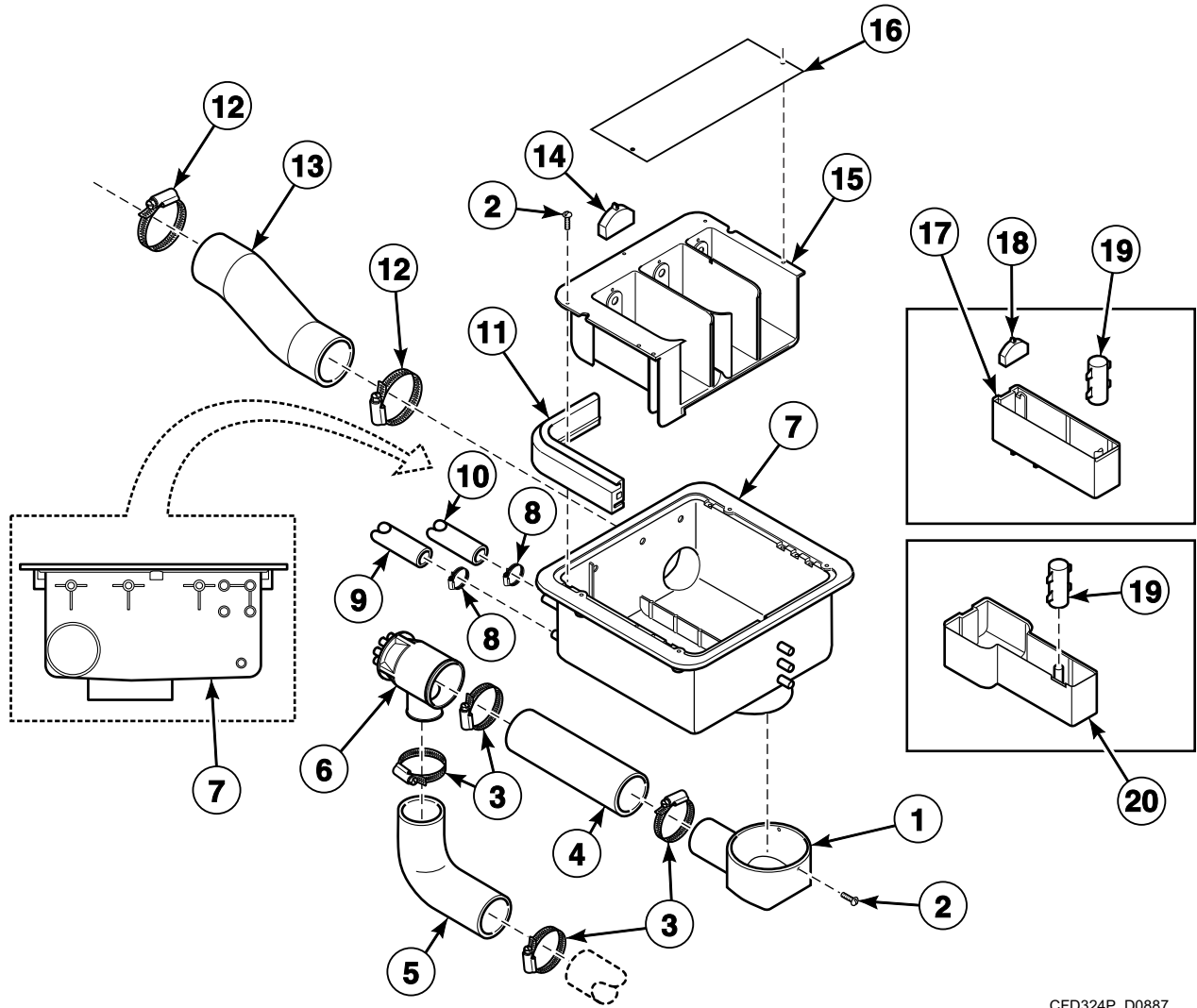


CFD324P_D0887

Supply Dispenser - *55 and *235 Models with Circular Ventilation Opening

REF	PART NO.	DESCRIPTION	COMMENTS
1	223/00196/00	Dispenser Drain Funnel	
2	B12350903	Screw	
3	223/00071/00	Hose Clamp	
4	223/00263/00	Siphon Break Dispenser Hose	
5	223/00133/00	Drain Tub to Drain Valve Hose	
6	223/00249/00	Liquid Soap Manifold	
7	223/00102/40	Exterior Box	
	223/00102/60	Dispenser Assembly	
8	223/00010/00	Hose Clamp	
9	223/00044/01	Water Hose	
10	223/00059/00	Water Hose	
11	223/00109/00	Soap Dispenser Gasket	
12	223/00014/00	Hose Clamp	
13	223/00107/06	Vent Hose	
14	223/00102/06	Soap Spray Nozzle	
15	223/00102/30	Soap Dispenser Assembly	
16	123/00107/00	Anti-Splash Plate	Sigma control models
	123/00103/06	Soap Box Assembly Plate	All other models
17	223/00102/03	Rinse Insert	
18	223/00102/05	Softener Spray Nozzle	
19	223/00102/04	Soap Dispenser Rinse Siphon	
20	223/00102/08	Liquid Soap Dispenser Insert	

Supply Dispenser - *75, *90, *305 and *400 Models with Circular Ventilation Opening

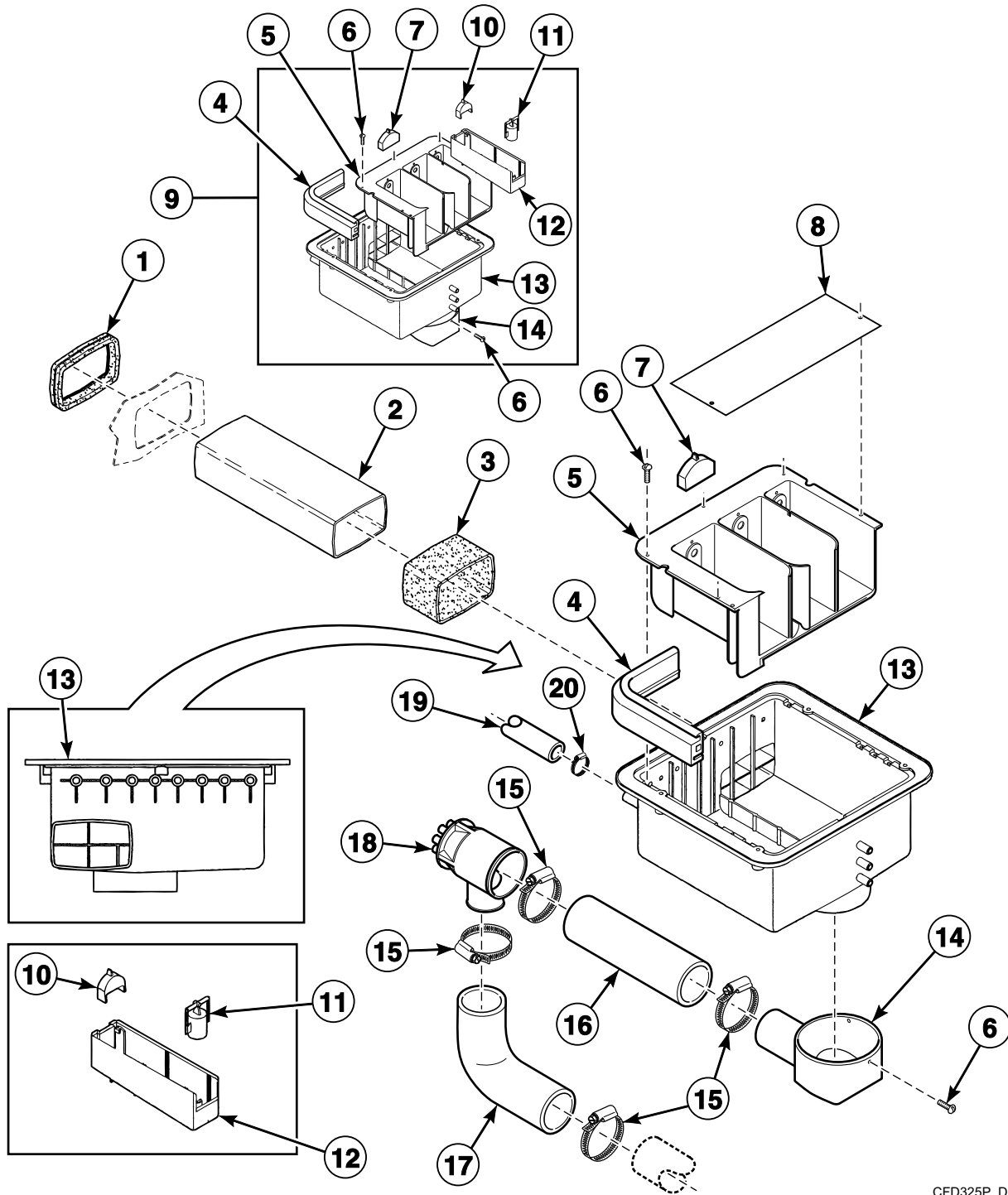


CFD324P_D0887

Supply Dispenser - *75, *90, *305 and *400 Models with Circular Ventilation Opening

REF	PART NO.	DESCRIPTION	COMMENTS
1	223/00196/00	Dispenser Drain Funnel	
2	B12350903	Screw	
3	223/00071/00	Hose Clamp	
4	223/00264/00	Siphon Break Dispenser Hose	
5	223/00268/00	Siphon Break Hose	
6	223/00249/00	Liquid Soap Manifold	
7	223/00102/40	Exterior Box	
	223/00102/60	Dispenser Assembly	
8	223/00010/00	Hose Clamp	
9	223/00044/01	Water Hose	
10	223/00059/00	Water Hose	
11	223/00109/00	Soap Dispenser Gasket	
12	223/00014/00	Hose Clamp	
13	223/00388/00	Vent Hose	
14	223/00102/06	Soap Spray Nozzle	
15	223/00102/30	Soap Dispenser Assembly	
16	123/00107/00	Anti-Splash Plate	Sigma control models
	123/00103/06	Soap Box Assembly Plate	All other models
17	223/00102/03	Rinse Insert	
18	223/00102/05	Softener Spray Nozzle	
19	223/00102/04	Soap Dispenser Rinse Siphon	
20	223/00102/08	Liquid Soap Dispenser Insert	

Supply Dispenser with Rectangular Ventilation Opening

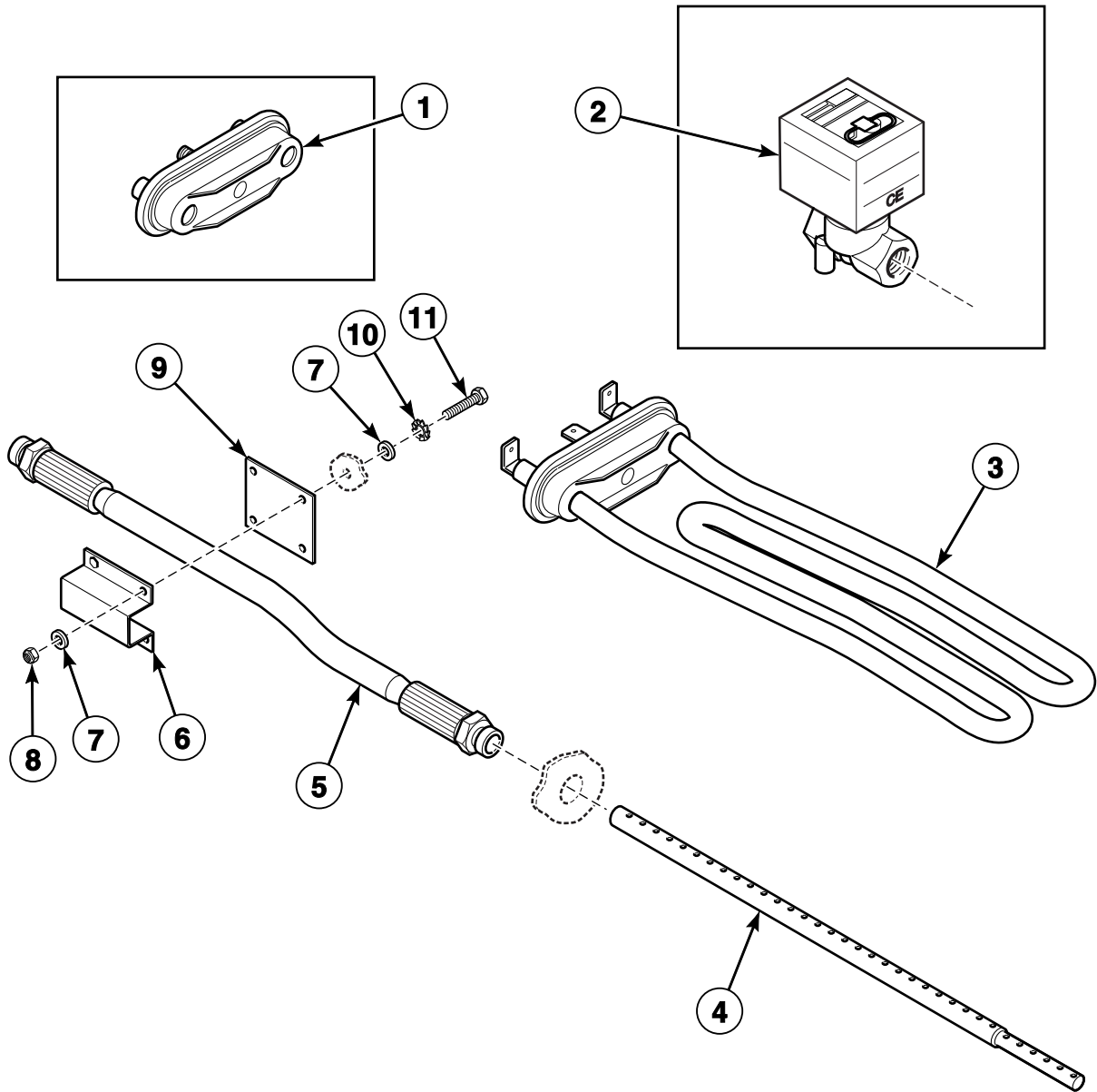


CFD325P_D0887

Supply Dispenser with Rectangular Ventilation Opening

REF	PART NO.	DESCRIPTION	COMMENTS
1	223/00226/00	Vent Tube	
2	223/00229/00	Vent Tube	
3	223/00245/00	Shrink Fit	
4	223/00109/00	Soap Dispenser Gasket	
5	223/00222/60	Outer and Inner Box Kit	
6	B12350903	Screw	
7	223/00102/06	Soap Spray Nozzle	
8	123/00107/00	Anti-Splash Plate	Sigma control models
	123/00103/06	Soap Box Assembly Plate	All other models
9	223/00240/00	Soap Dispenser	
10	223/00222/03	Softener Spray Nozzle	
11	223/00222/04	Siphon Break	
12	223/00222/05	Rinsing Box	
13	223/00222/01	Exterior Box	
14	223/00196/00	Dispenser Drain Funnel	
15	223/00071/00	Hose Clamp	
16	223/00264/00	Siphon Break Dispenser Hose	*75, *90, *235 and *400 models
	223/00263/00	Siphon Break Dispenser Hose	*55 and *235 models
17	223/00268/00	Siphon Break Hose	*75, *90, *235 and *400 models
	223/00133/00	Drain Tub to Drain Valve Hose	*55 and *235 models
18	223/00249/00	Liquid Soap Manifold	
19	223/00044/00	Water Hose	
20	223/00010/00	Hose Clamp	

Steam and Electric Heating Options - *55 and *235 Models

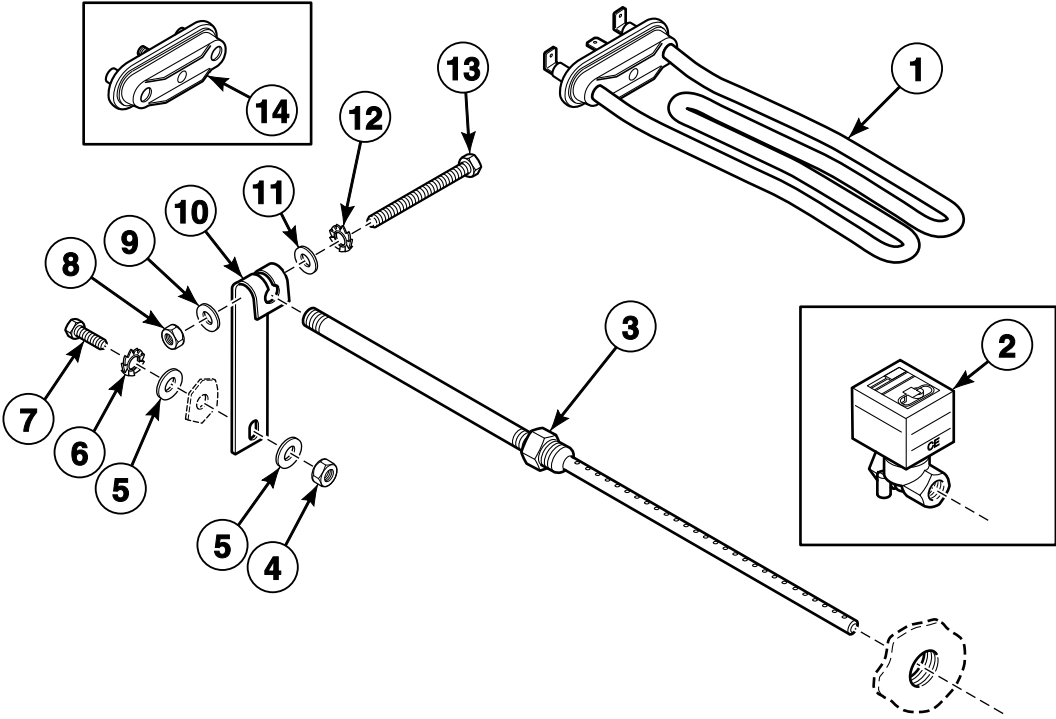


CFD426P_D0887

Steam and Electric Heating Options - *55 and *235 Models

REF	PART NO.	DESCRIPTION	COMMENTS
	922P3	Steam Heat Kit	
1	209/00196/00	Heating Element Plug	
2	209/00477/00	Steam Valve	
3	209/00581/10	Heating Element	4000W; 380 Volt
	209/00562/20	Heating Element	3000W; 220/240 Volt
	209/00563/20	Heating Element	2000W; 220/240 Volt
	209/00564/20	Heating Element	1400W; 220/240 Volt
4	217/00061/00	Steam Injector	
5	217/00034/00	Steam Hose	
6	111/00155/00	Steam Bracket	
7	202/00002/00	Washer	
8	204/00004/00	Nut	
9	111/00155/10	Bracket Support	
10	203/00003/00	Washer	
11	206/00035/00	Bolt	

Steam and Electric Heating Options - *75, *90, *305 and *400

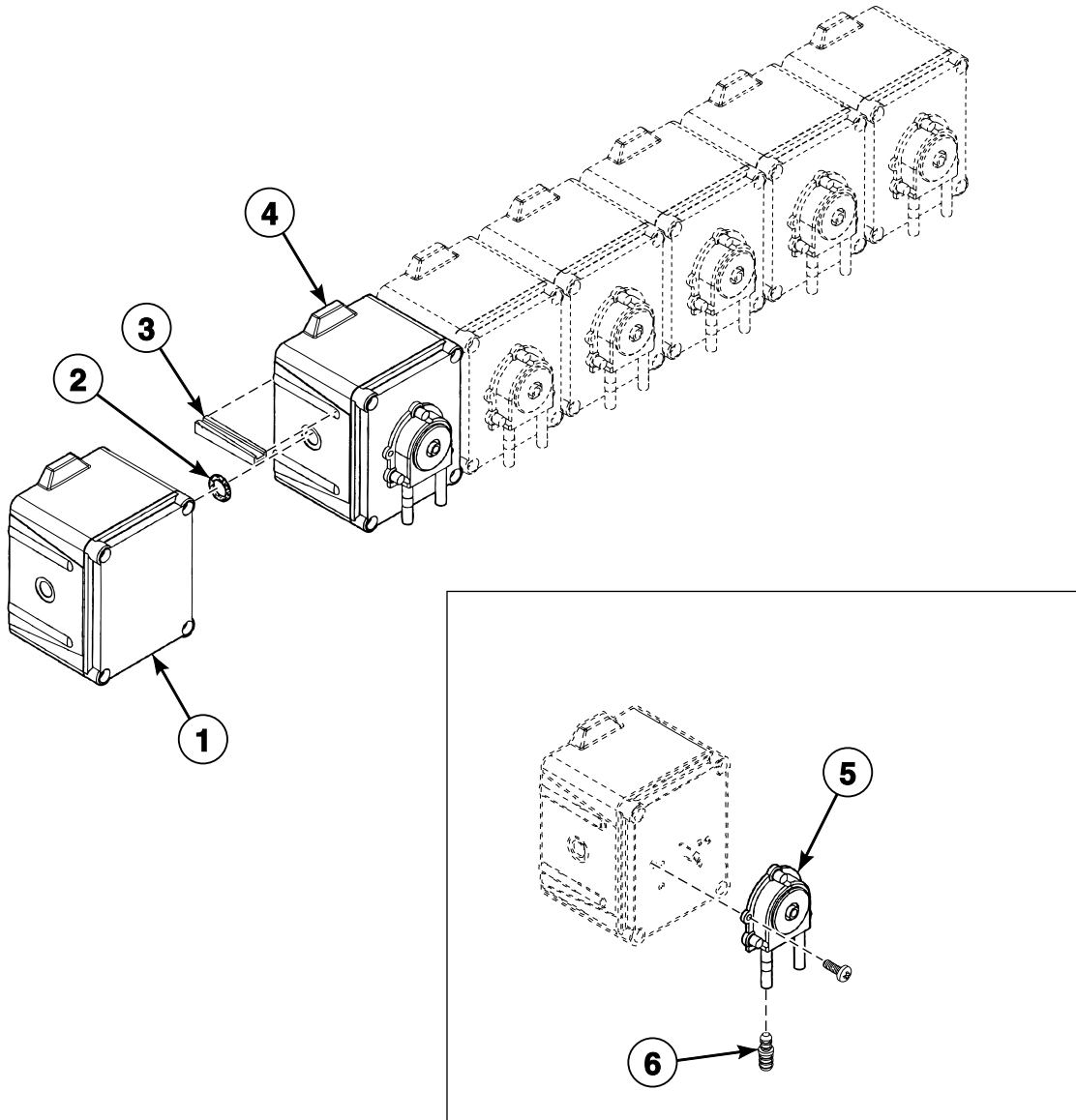


BE000391P_D0887

Steam and Electric Heating Options - *75, *90, *305 and *400

REF	PART NO.	DESCRIPTION	COMMENTS
	923P3	Steam Heat Kit	
1	209/00581/10	Heating Element	4000W; 380 Volt
	209/00562/20	Heating Element	3000W; 220/240 Volt
	209/00563/20	Heating Element	2000W; 220/240 Volt
	209/00564/20	Heating Element	1400W; 220/240 Volt
2	209/00476/00	Steam Valve	
3	119/00089/00	Steam Injector	
4	204/00005/00	Nut	
5	201/00007/00	Washer	
6	203/00004/00	Washer	
7	206/00013/00	Bolt	
8	204/00004/00	Nut	
9	202/00002/00	Washer	
10	113/00028/00	Steam Injector Bracket	
11	202/00002/00	Washer	
12	203/00003/00	Washer	
13	206/00035/00	Bolt	

Soap Pumps



BE000527AP_D0887

Soap Pumps

REF	PART NO.	DESCRIPTION	COMMENTS
1	209/00554/01	Soap Pump Assembly	1 pump and 1 feeding pump
	209/00554/02	Soap Pump Assembly	2 pumps and 1 feeding pump
	209/00554/03	Soap Pump Assembly	3 pumps and 1 feeding pump
	209/00554/04	Soap Pump Assembly	4 pumps and 1 feeding pump
	209/00554/05	Soap Pump Assembly	5 pumps and 1 feeding pump
	209/00554/06	Soap Pump Assembly	6 pumps and 1 feeding pump
	209/00554/51	Feeding Liquid Soap Dosing Pump	
2	209/00554/52	Liquid Soap Dosing Pump O-Ring	
3	209/00554/53	Liquid Soap Dosing Pump Connection Piece	
4	209/00554/50	Pump	
5	209/00554/98	Hose	
6	209/00554/99	Hose Connector	