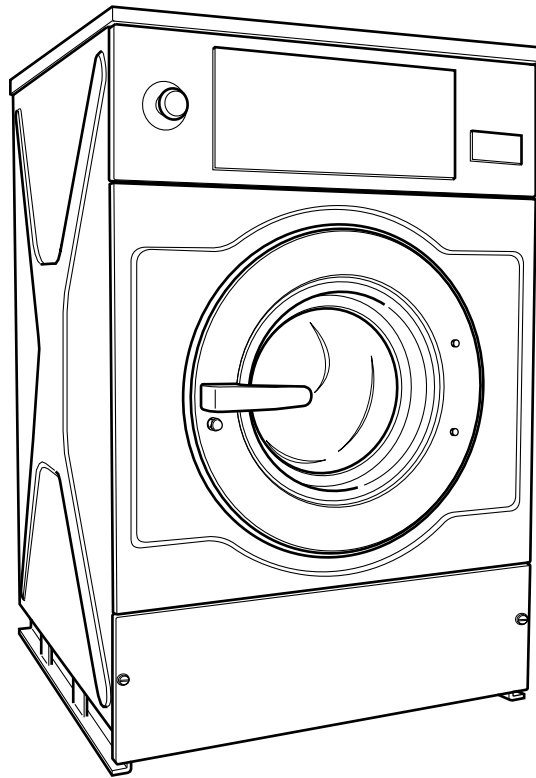


Washer-Extractor

Cabinet Hardmount

Refer to Page 5 for Model Numbers



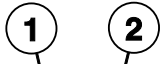
CHM2097N_D0886

Model Identification

Information in this manual is applicable to these washer-extractor models:

IWF033ANM	IWF040SCM	IWF185ANM	WFF150_CYGNUS-COMM_COIN
IWF033AN2	IWF040SC2	IWF185AN2	WFF150_CYGNUS-COMM_OPL
IWF033MCM	IWF040SDM	IWF185MCM	WFF150_CYGNUS-PREM_COIN
IWF033MC2	IWF040SD2	IWF185MC2	WFF150_CYGNUS-PREM_OPL
IWF033MDM	IWF040SEM	IWF185MDM	WFF150_CYGNUS-PRO
IWF033MD2	IWF040SE2	IWF185MD2	WFF150_CYGNUS-STANDARD_COIN
IWF033MEM	IWF040SLM	IWF185MEM	WFF150_CYGNUS-STANDARD_OPL
IWF033ME2	IWF040SL2	IWF185ME2	WFF150_MICRO-20_COIN
IWF033MLM	IWF040SRM	IWF185MLM	WFF150_MICRO-20_OPL
IWF033ML2	IWF040SR2	IWF185ML2	WFF150_PS40F
IWF033MNM	IWF040SXM	IWF185MNM	WFF150_SIGMA_COIN
IWF033MN2	IWF040SX2	IWF185MN2	WFF150_SIGMA_OPL
IWF033MXM	IWF040SYM	IWF185MXM	WFF185_CYGNUS-COMM_COIN
IWF033MX2	IWF040SY2	IWF185MX2	WFF185_CYGNUS-COMM_OPL
IWF033MYM	IWF150ANM	IWF185MYM	WFF185_CYGNUS-PREM_COIN
IWF033MY2	IWF150AN2	IWF185MY2	WFF185_CYGNUS-PREM_OPL
IWF033SCM	IWF150MCM	IWF185SCM	WFF185_CYGNUS-PRO
IWF033SC2	IWF150MC2	IWF185SC2	WFF185_CYGNUS-STANDARD_COIN
IWF033SDM	IWF150MDM	IWF185SDM	WFF185_CYGNUS-STANDARD_OPL
IWF033SD2	IWF150MD2	IWF185SD2	WFF185_MICRO-20_COIN
IWF033SEM	IWF150MEM	IWF185SEM	WFF185_MICRO-20_OPL
IWF033SE2	IWF150ME2	IWF185SE2	WFF185_PS40F
IWF033SLM	IWF150MLM	IWF185SLM	WFF185_SIGMA_COIN
IWF033SL2	IWF150ML2	IWF185SL2	WFF185_SIGMA_OPL
IWF033SRM	IWF150MNM	IWF185SRM	WF150_CYGNUS-COMM_COIN
IWF033SR2	IWF150MN2	IWF185SR2	WF150_CYGNUS-COMM_OPL
IWF033SXM	IWF150MXM	IWF185SXM	WF150_CYGNUS-PREM_COIN
IWF033SX2	IWF150MX2	IWF185SX2	WF150_CYGNUS-PREM_OPL
IWF033SYM	IWF150MYM	IWF185SYM	WF150_CYGNUS-PRO
IWF033SY2	IWF150MY2	IWF185SY2	WF150_CYGNUS-STANDARD_COIN
IWF040ANM	IWF150SCM	IWF185ZNM	WF150_CYGNUS-STANDARD_OPL
IWF040AN2	IWF150SC2	IWF185ZN2	WF150_MICRO-20_COIN
IWF040MCM	IWF150SDM		WF150_MICRO-20_OPL
IWF040MC2	IWF150SD2		WF150_PS40F
IWF040MDM	IWF150SEM		WF150_SIGMA_COIN
IWF040MD2	IWF150SE2		WF150_SIGMA_OPL
IWF040MEM	IWF150SLM		WF185_CYGNUS-COMM_COIN
IWF040ME2	IWF150SL2		WF185_CYGNUS-COMM_OPL
IWF040MLM	IWF150SRM		WF185_CYGNUS-PREM_COIN
IWF040ML2	IWF150SR2		WF185_CYGNUS-PREM_OPL
IWF040MNM	IWF150SXM		WF185_CYGNUS-PRO
IWF040MN2	IWF150SX2		WF185_CYGNUS-STANDARD_COIN
IWF040MXM	IWF150SYM		WF185_CYGNUS-STANDARD_OPL
IWF040MX2	IWF150SY2		WF185_MICRO-20_COIN
IWF040MYM	IWF150ZNM		WF185_MICRO-20_OPL
IWF040MY2	IWF150ZN2		WF185_PS40F
			WF185_SIGMA_COIN
			WF185_SIGMA_OPL

Cabinet Hardmount Washer-Extractor Product Overview



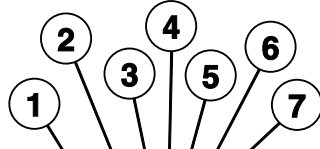


Type:	WFF75C	Nr: 07110WD0339
Voltage:	3 ~ 400V 50Hz	Weight: 181 kg
Motor:	0.55kW 2.5A	Capacity: 73 L
Heating:	9kW 16A	Dry Load: 7,3 kg
Total:	9.55 kW	Drum: 530 mm
Kinetic energy:	592 Nm	Speed: 700 rpm
Manufactured in:	2007	

Water Pressure: min. 2.07 max. 5.86 Kg/cm² IPX4
min. 20.7 max. 58.6 N/cm²

sfc 741837


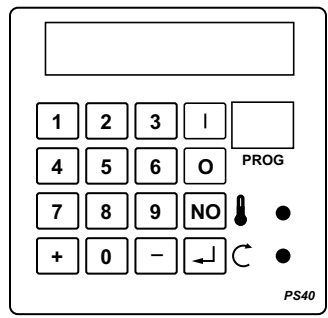
Alliance International BVBA
Nieuwstraat 146
8560 Wevelgem
Belgium
Tel: +32 56 41 20 54
Fax: +32 56 41 86 74
www.ipso.be

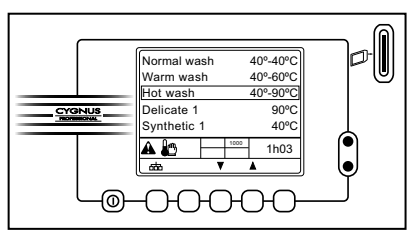
Model No:	IWF018MNMX10U01	Serial No: 0710WD0152
Volts Hertz:	208-240 50/60	Type: WFF75
Phase:	1 - 3	
Amps:	6 amps	Capacity: 18/7 lbs/kg
Recommended Circuit Breaker:	15 amps	Water Pressure: 30-85 psi
Interrupt Current:	10 kA	Pressure: 2.07-5.86 bar
Motor:	1 hp 0,75 kW	Max Speed: 700 rpm
Elec Heat:	N/A kW	Net Weight: 400 lbs 181 kg
Steam heat:	N/A psi N/A bar	IPX4

Alliance International BVBA
Made in Belgium

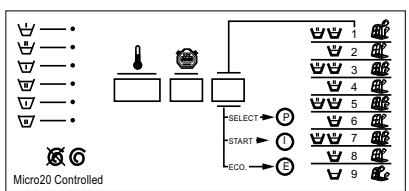
Alliance Laundry Systems
TEL 1-920-748-3121
www.comlaundry.com

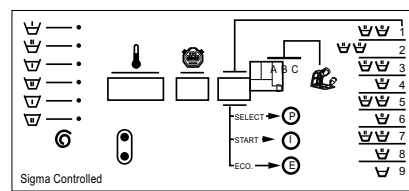
PS40



Cygnus Professional



Micro 20



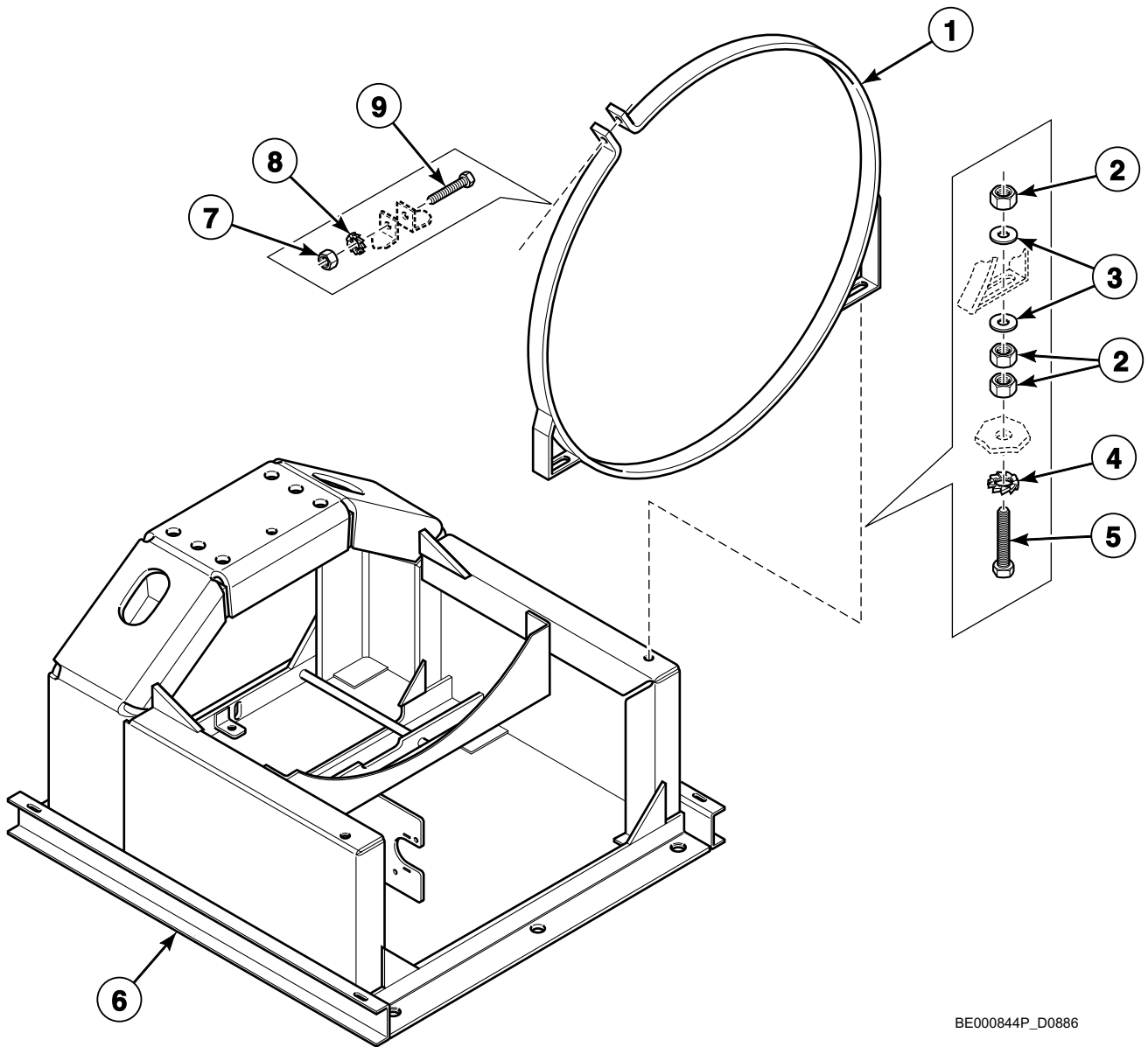
Sigma

CHM3066P_D0886

Cabinet Hardmount Washer-Extractor Product Overview

REF	PART NO.	DESCRIPTION	COMMENTS
1	-	Product Family	IWF WF
2	-	Capacity	033 040 150 185
3	-	Control	A (PS40F) Cygnus-Comm Cygnus-Prem Cygnus-Standard M (Micro-20) S (Sigma) Z (Cygnus-Pro)
4	-	Actuation	C (Coin Drop Meter) D (Dual Coin Drop) E (Electronic Drop) L (Prep for Remote or Central Pay) N (Non-Coin) R (Smart Card Ready) X (Prep for Coin) Y (Card Ready)
5	-	Speed	M (Medium) 2 (2 Speed)
6	-	Voltage	N (440-480/50-60/3/3) P (380-415/50-60/3/3) Q (208-240/50-60/3/3) X (200-240/50-60/1/3)
7	-	Design	1

Frame

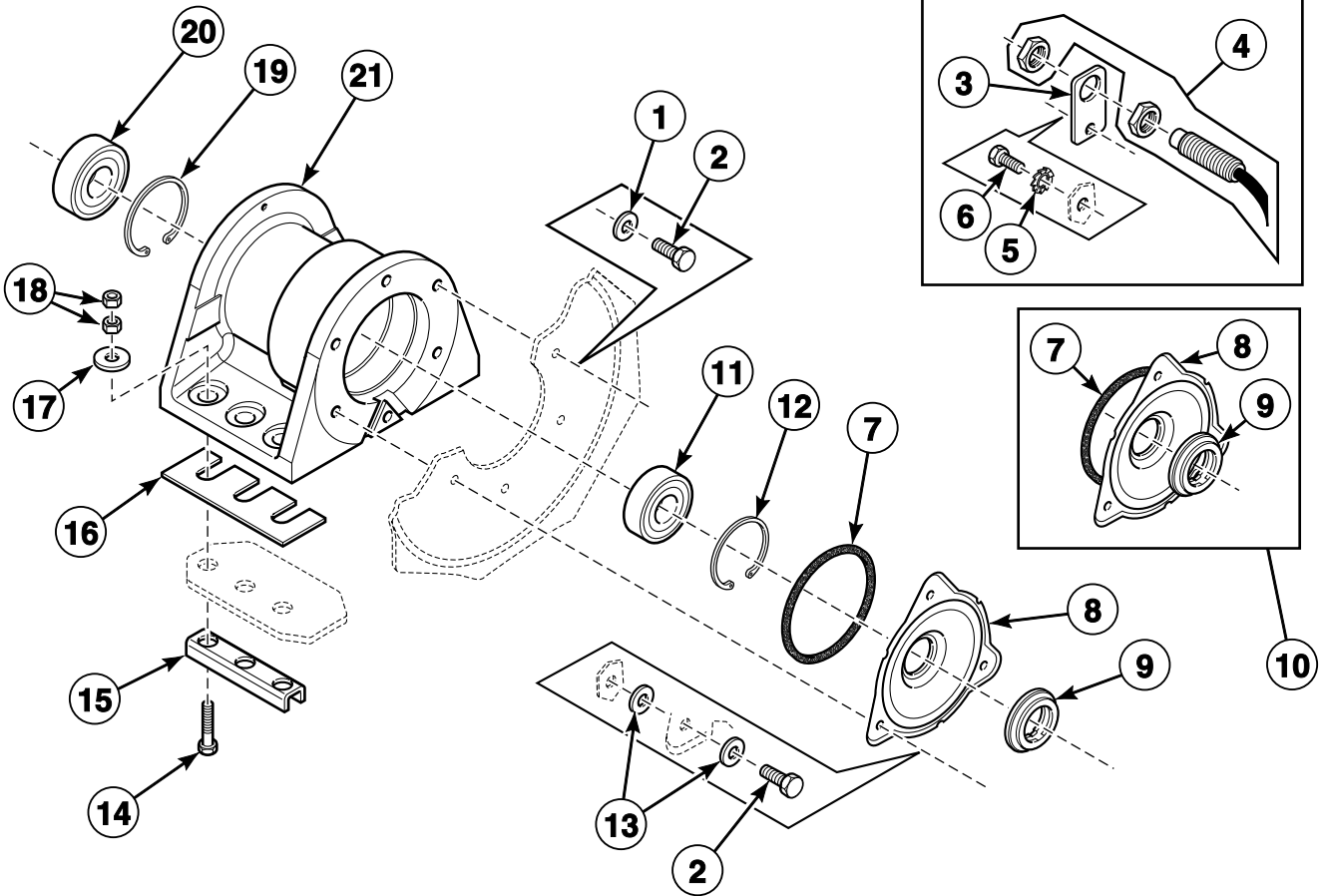


BE000844P_D0886

Frame

REF	PART NO.	DESCRIPTION	COMMENTS
1	212/00115/00	Tub Fastening Ring	
2	204/00002/00	Nut	
3	201/00005/00	Washer	
4	203/00001/00	Washer	
5	206/00079/00	Bolt	
6	212/00109/50	Chassis	*33 and *150 models
	212/00110/50	Chassis	*40 and *185 models
7	204/00004/00	Nut	
8	203/00003/00	Washer	
9	206/00007/00	Screw	

Bearing Housing - Models Through 1/30/11

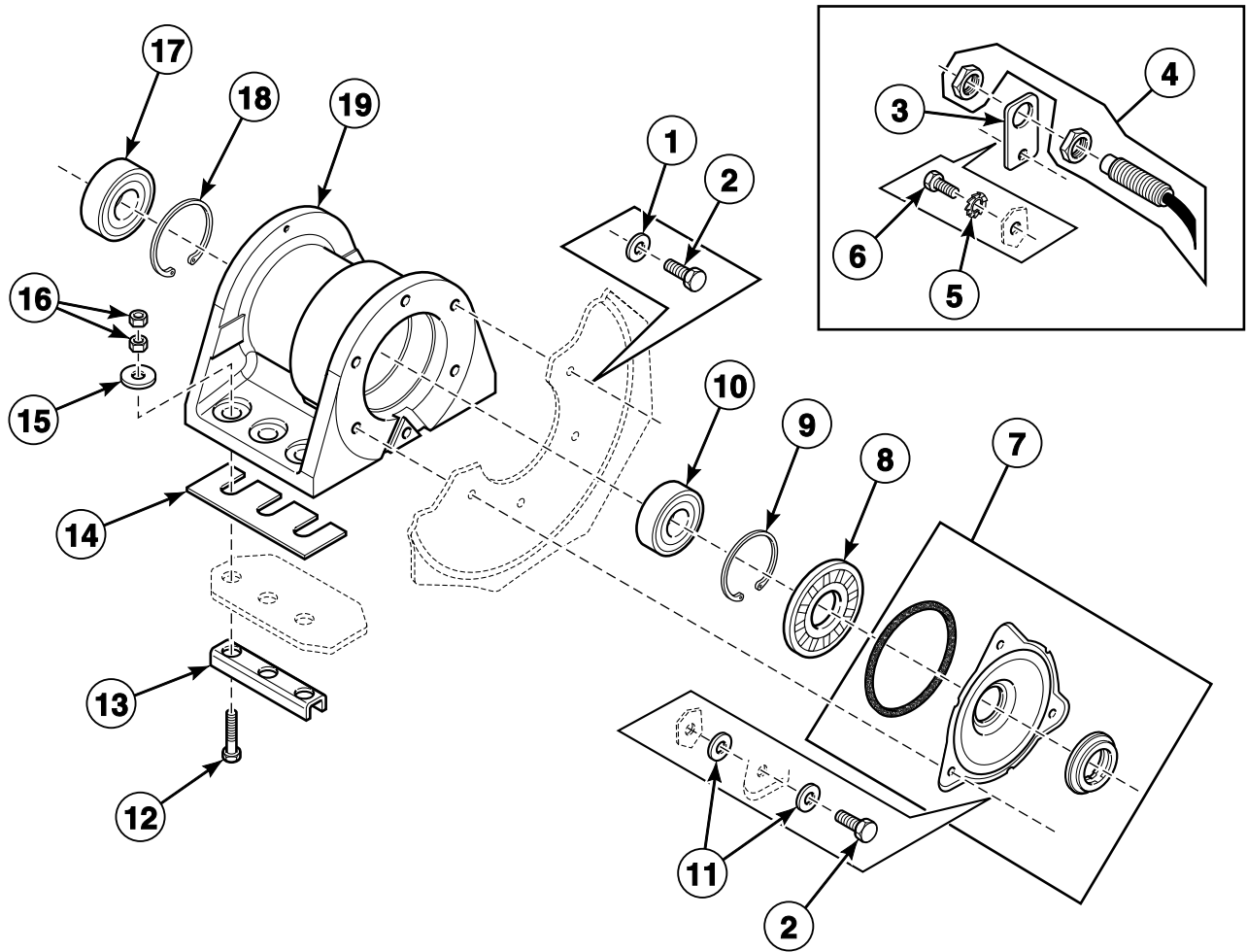


BE000827AP_D0886

Bearing Housing - Models Through 1/30/11

REF	PART NO.	DESCRIPTION	COMMENTS
	KBRGWE234	Bearing Replacement Kit	Includes items 1, 2, 10-12, 20, 219/00004/00 Counter Ring, 223/00242/40 Front Panel Gasket, F8382001P Inlet Deflector and F8388601P Inlet Deflector
	382P3	Bearing Replacement Tool Kit	
1	201/00201/00	Washer	
2	205/00102/00	Bolt	
3	152/00055/00	Speed Detector Bracket	
4	210/00075/00	Speed Detector	
5	203/00004/00	Washer	
6	205/00104/00	Bolt	
7	217/00002/00	O-Ring	Used with 136/00021/00 Drum or B12380701 Drum
8	219/00001/00	Seal Cover	Used with 136/00021/00 Drum or B12380701 Drum
9	219/00003/00	Shaft Seal	Used with 136/00021/00 Drum or B12380701 Drum
10	119/00001/01	Seal Holder Assembly	Used with 136/00021/00 Drum or B12380701 Drum
11	212/00004/00	Ball Bearing	
12	212/00006/00	Retainer Ring	
13	201/00201/00	Washer	
14	206/00093/00	Bolt	
15	113/00067/00	U-Piece Assembly	
16	113/00017/01	Bearing Housing Plate	1 mm
	113/00017/02	Bearing Housing Plate	2 mm
17	201/00001/00	Washer	
18	204/00010/00	Nut	
19	212/00037/00	Retainer Ring	
20	212/00024/01	Ball Bearing	
21	212/10104/00	Bearing Housing Assembly	Includes items 11, 12, 19 and 20

Bearing Housing - Models Starting 1/31/11

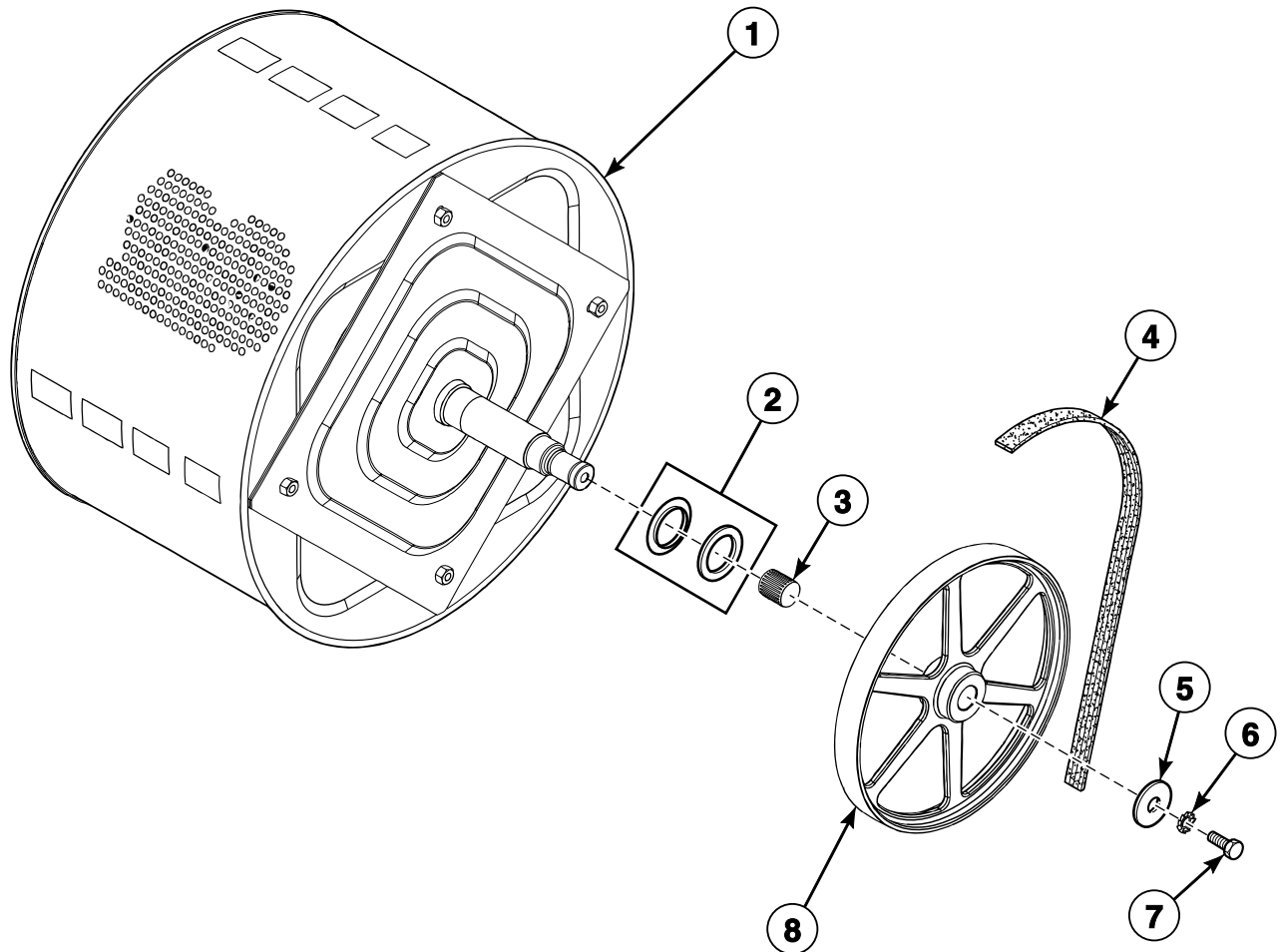


CFD644P_D0886

Bearing Housing - Models Starting 1/31/11

REF	PART NO.	DESCRIPTION	COMMENTS
	3881P	Bearing Kit	Includes items 1, 2, 7-10, 17, 219/00004/00 Counter Ring and 223/00242/40 Front Panel Gasket
	382P3	Bearing Replacement Tool Kit	
1	201/00201/00	Washer	
2	205/00102/00	Bolt	
3	152/00055/00	Speed Detector Bracket	
4	210/00075/00	Speed Detector	
5	203/00004/00	Washer	
6	205/00104/00	Bolt	
7	B12333701	Seal Plate Assembly	Used with B12380301 Drum, B12380401 Drum, B12380701 Drum or B12380801 Drum
8	B12332301	Lip Seal	
9	212/00006/00	Retainer Ring	
10	212/00004/00	Ball Bearing	
11	201/00201/00	Washer	
12	206/00093/00	Bolt	
13	113/00067/00	U-Piece Assembly	
14	113/00017/01	Bearing Housing Plate	1 mm
	113/00017/02	Bearing Housing Plate	2 mm
15	201/00001/00	Washer	
16	204/00010/00	Nut	
17	212/00024/01	Ball Bearing	
18	212/00037/00	Retainer Ring	
19	212/10104/00	Bearing Housing Assembly	Includes items 9, 10, 17 and 18

Basket, Pulley and Belt

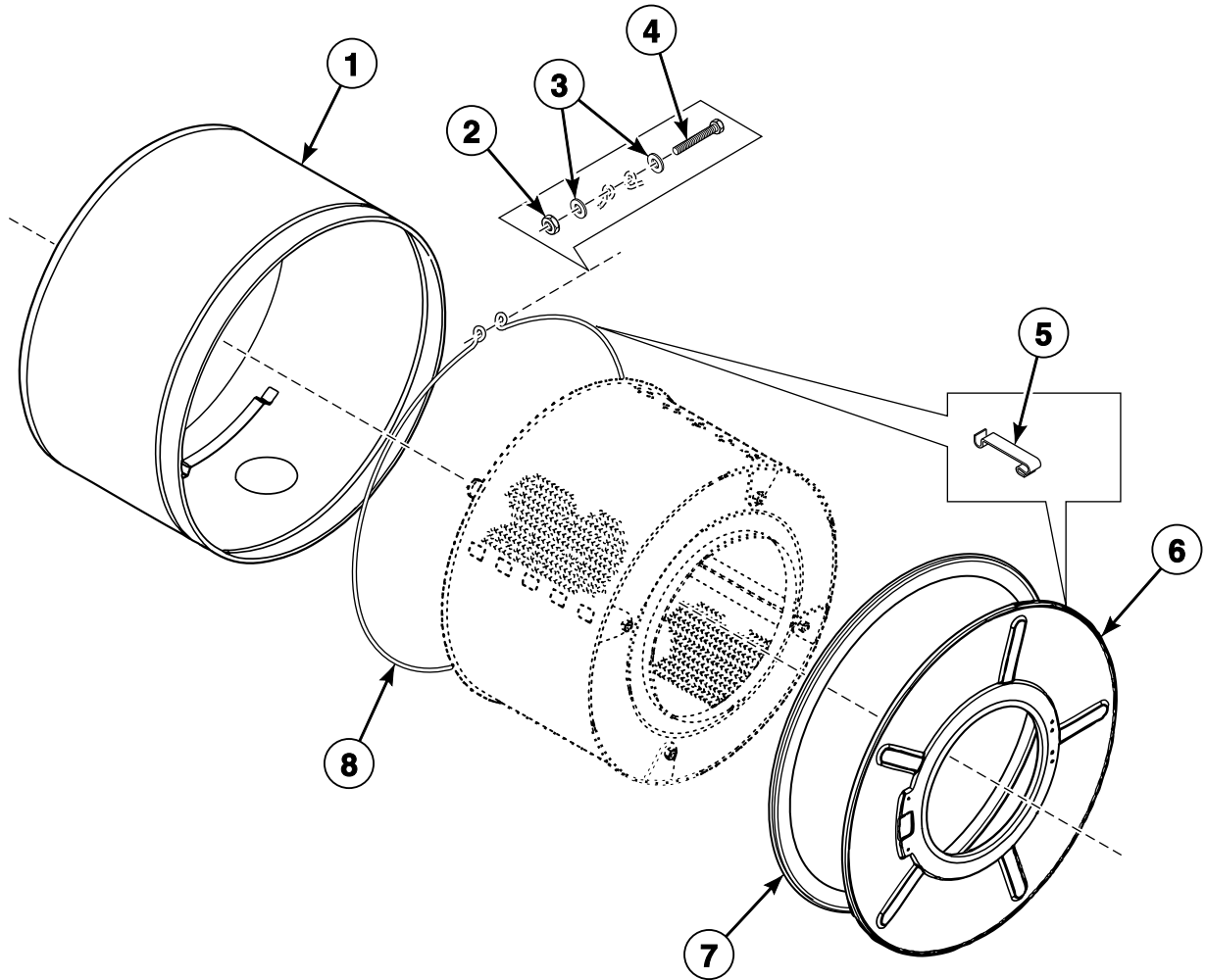


BE000840P_D0886

Basket, Pulley and Belt

REF	PART NO.	DESCRIPTION	COMMENTS
1	136/00021/00	Drum	*33 and *150 models; Models through 1/30/11; Used with 119/00001/01 Seal Holder Assembly
	B12380301	Drum	*33 and *150 models; Models starting 1/31/11; 3 mm; Used with B12333701 Seal Holder Assembly
	B12380401	Drum	*33 and *150 models; Models starting 1/31/11; 9 mm; Used with B12333701 Seal Holder Assembly
	B12326901	Drum	*40 and *185 models; Models through 1/30/11; Used with 119/00001/01 Seal Holder Assembly
	B12380701	Drum	*40 and *185 models; Models starting 1/31/11; 3 mm; Used with B12333701 Seal Holder Assembly
	B12380801	Drum	*40 and *185 models; Models starting 1/31/11; 9 mm; Used with B12333701 Seal Holder Assembly
	B12545901	Basket Kit	*33 and *150 models; Models through 1/30/11; Includes B12380301 Drum and 3883P Bearing Kit
	B12543101	Basket Kit	*40 and *185 models; Models through 1/30/11; Includes B12380701 Drum and 3883P Bearing Kit
2	219/00004/00	Counter Ring	
3	215/00004/00	Tolerance Ring	
4	226/00132/00	Belt	M-speed models
	226/00138/00	Belt	2 speed models
5	201/00015/00	Washer	
6	203/00002/00	Washer	
7	206/00005/00	Bolt	
8	226/00126/00	Pulley	M-speed models
	226/00141/00	Drum Pulley	2 speed models

Shell

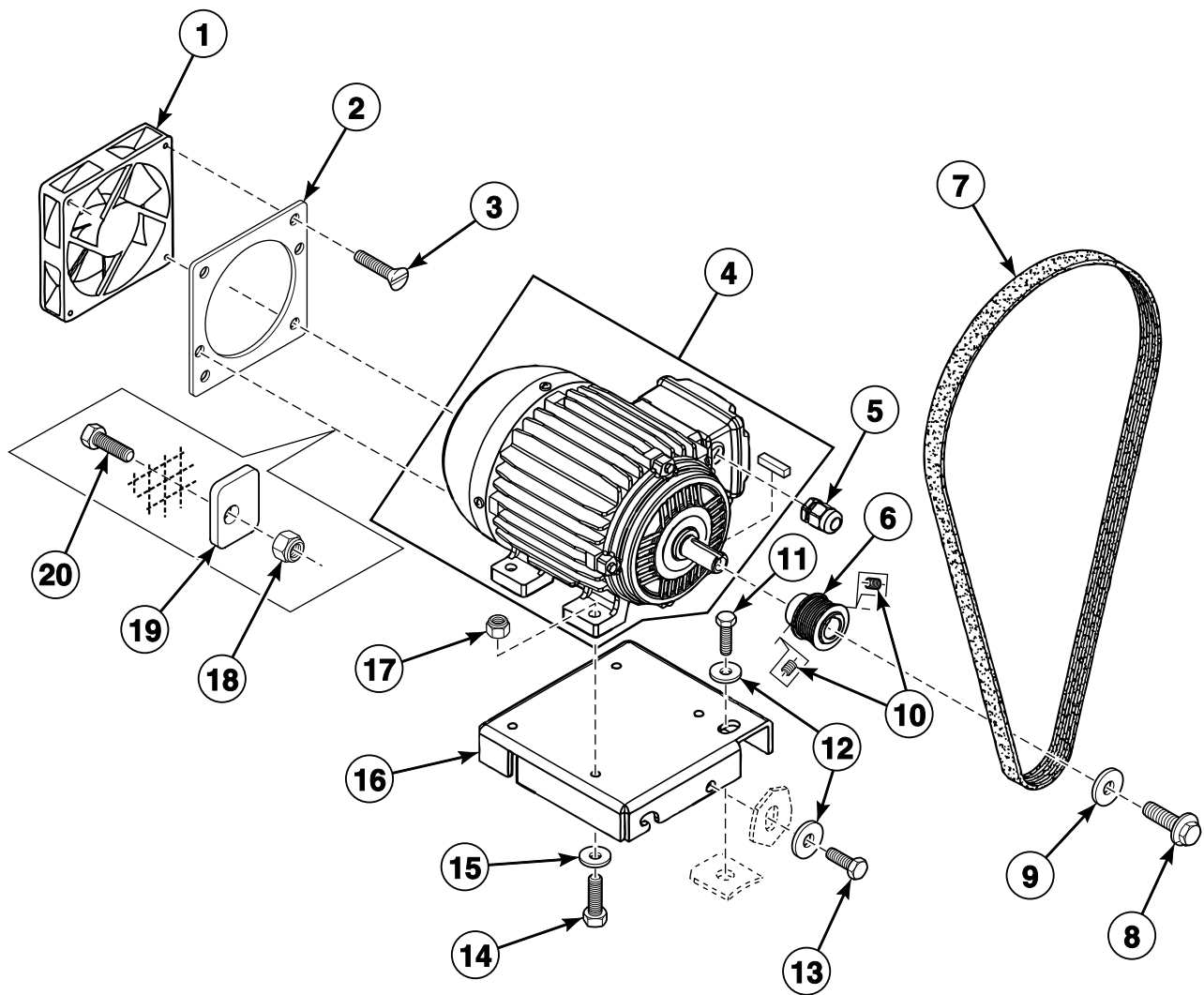


CFD645P_D0886

Shell

REF	PART NO.	DESCRIPTION	COMMENTS
1	B12329501	Tub	*33 and *150 models; Electric heat; Models before Serial No. 10080WG0006
	B12329601	Tub	*33 and *150 models; Electric heat; Models starting Serial No. 10080WG0006
	B12329601	Tub	*33 and *150 models; Boiler; Models before Serial No. 10080WG0006
	B12329501	Tub	*33 and *150 models; Boiler; Models starting Serial No. 10080WG0006
	B12329701	Tub	*33 and *150 models; Steam heat
	B12329801	Tub	*40 and *185 models; Electric heat; Models before Serial No. 10080WI0146
	B12329901	Tub	*40 and *185 models; Electric heat; Models starting Serial No. 10080WI0146
	B12329901	Tub	*40 and *185 models; Boiler; Models before Serial No. 10080WI0146
	B12329801	Tub	*40 and *185 models; Boiler; Models starting Serial No. 10080WI0146
	B12330001	Tub	*40 and *185 models; Steam heat
2	204/00009/00	Nut	
3	201/00007/00	Washer	
4	206/00032/00	Bolt	
5	217/00008/00	Tub Front Panel Clip	
6	185/00049/00	Tub Front Panel	
7	B12351601	Tub Front Gasket	
8	219/00008/00	Ring Clip	

Motor and Belt

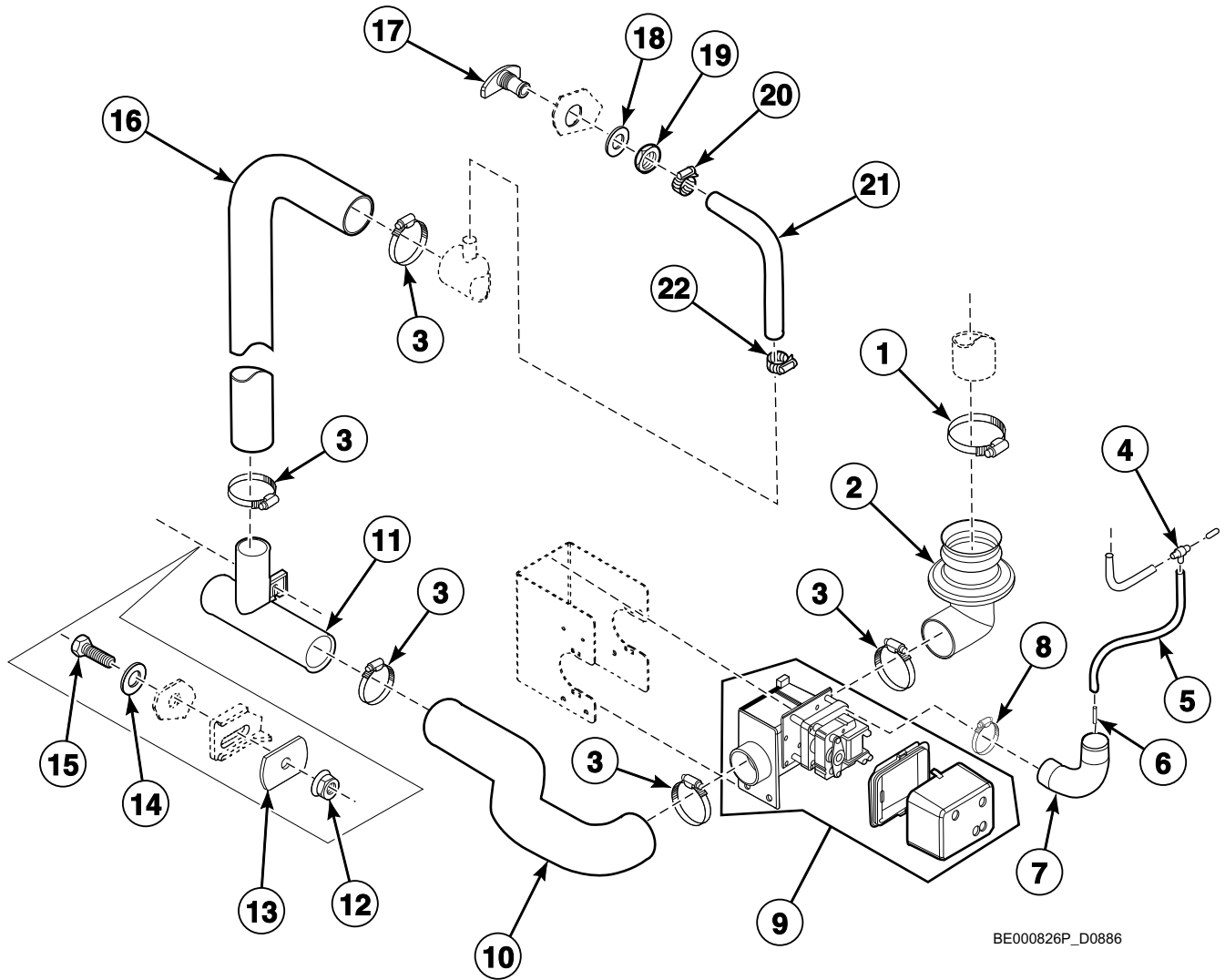


BE000793AP_D0886

Motor and Belt

REF	PART NO.	DESCRIPTION	COMMENTS
1	209/00465/00	Fan	
2	152/00044/03	Fan Plate Assembly	
3	207/00117/00	Screw	
4	227/00127/00	Motor	1.5 kW; M-speed models; Order replacement motor pulley when replacing motor
	227/00196/00	Motor	1.1 kW; 2 speed models; Order replacement motor pulley when replacing motor
5	211/00168/00	Cordlock	
6	226/00130/00	Motor Pulley	M-speed models
	226/00144/00	Motor Pulley	2 speed models
7	226/00132/00	Belt	M-speed models
	226/00138/00	Belt	2 speed models
8	206/00042/00	Bolt	
9	201/00015/00	Washer	
10	206/00058/00	Screw	
11	206/00119/00	Bolt	
12	201/00010/00	Washer	
13	206/00006/00	Bolt	
14	206/00009/00	Bolt	
15	202/00002/00	Washer	
16	115/10185/00	Motor Mounting Plate	
17	204/00109/00	Nut	
18	204/00115/00	Nut	
19	117/00042/00	Retaining Ring	
20	206/00054/00	Bolt	

Drain Plumbing with 2-Inch Drain Valve Through 8/11/10

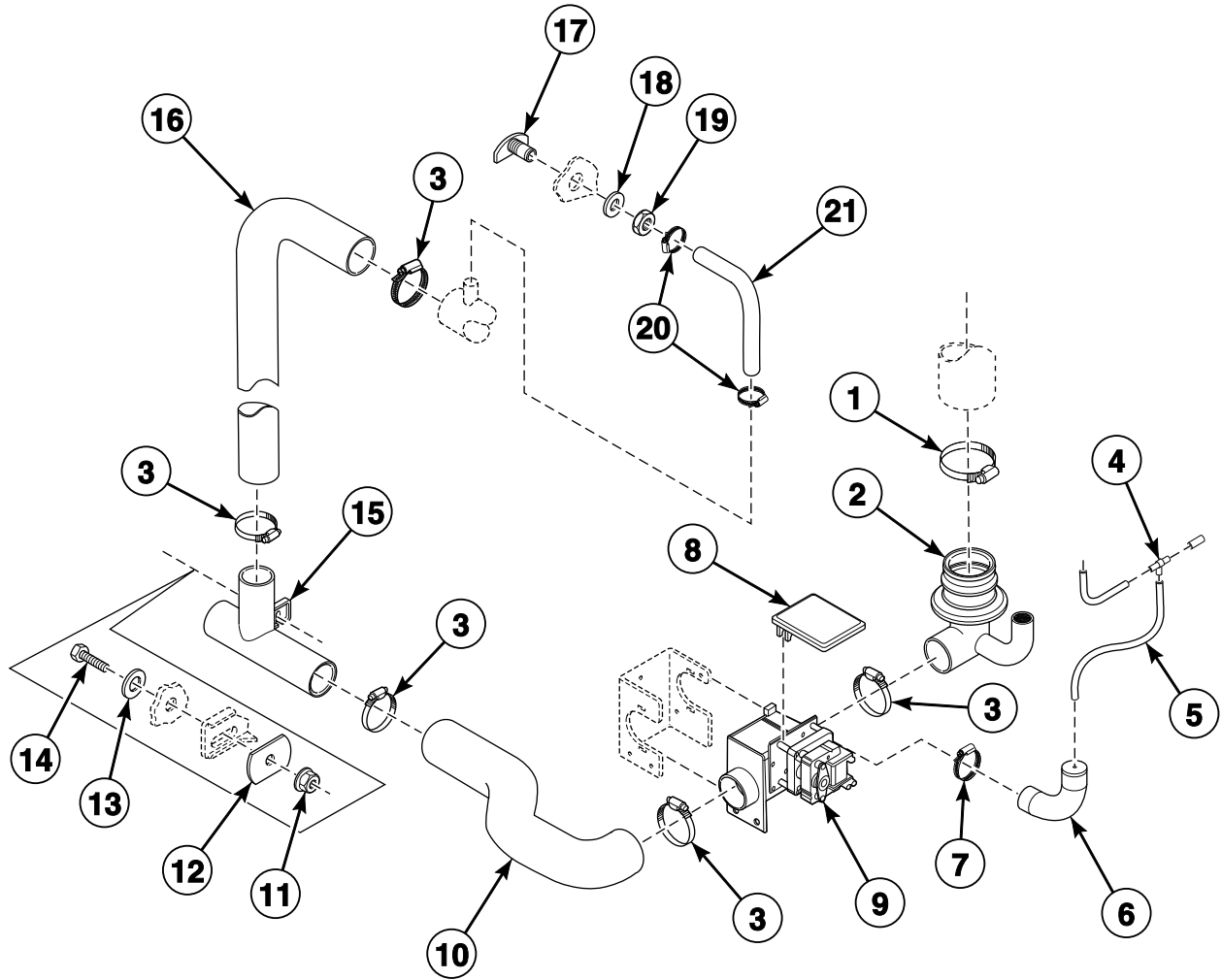


BE000826P_D0886

Drain Plumbing with 2-Inch Drain Valve Through 8/11/10

REF	PART NO.	DESCRIPTION	COMMENTS
1	223/00014/00	Hose Clamp	
2	223/00382/00	Tub Exhaust	
3	223/00013/00	Hose Clamp	
4	223/00173/10	Pressure Switch Hose Tee	
5	223/00333/00	Pressure Hose	
6	223/00016/00	Hose Barb	
7	223/00210/00	Pressure Switch Elbow	
8	223/00011/00	Hose Clamp	
9	209/00643/00	Drain Valve	
10	223/00190/00	Drain Valve Hose	*33 and *150 models
	223/00303/00	Drain Valve Hose	*40 and *185 models
11	223/00146/00	Drain Piece	
12	206/00101/00	Nut	
13	101/00007/00	Outlet Pipe Plate Assembly	
14	201/00007/00	Washer	
15	206/00033/00	Bolt	
16	223/00150/00	Overflow Hose	
17	223/00001/04	Prewash and Mainwash Nozzle	
18	201/00002/00	Washer	
19	204/00201/00	Nut	
20	223/00010/00	Hose Clamp	
21	223/00044/01	Water Hose	
22	223/00010/00	Hose Clamp	

Drain Plumbing with 2-Inch Drain Valve Starting 8/12/10

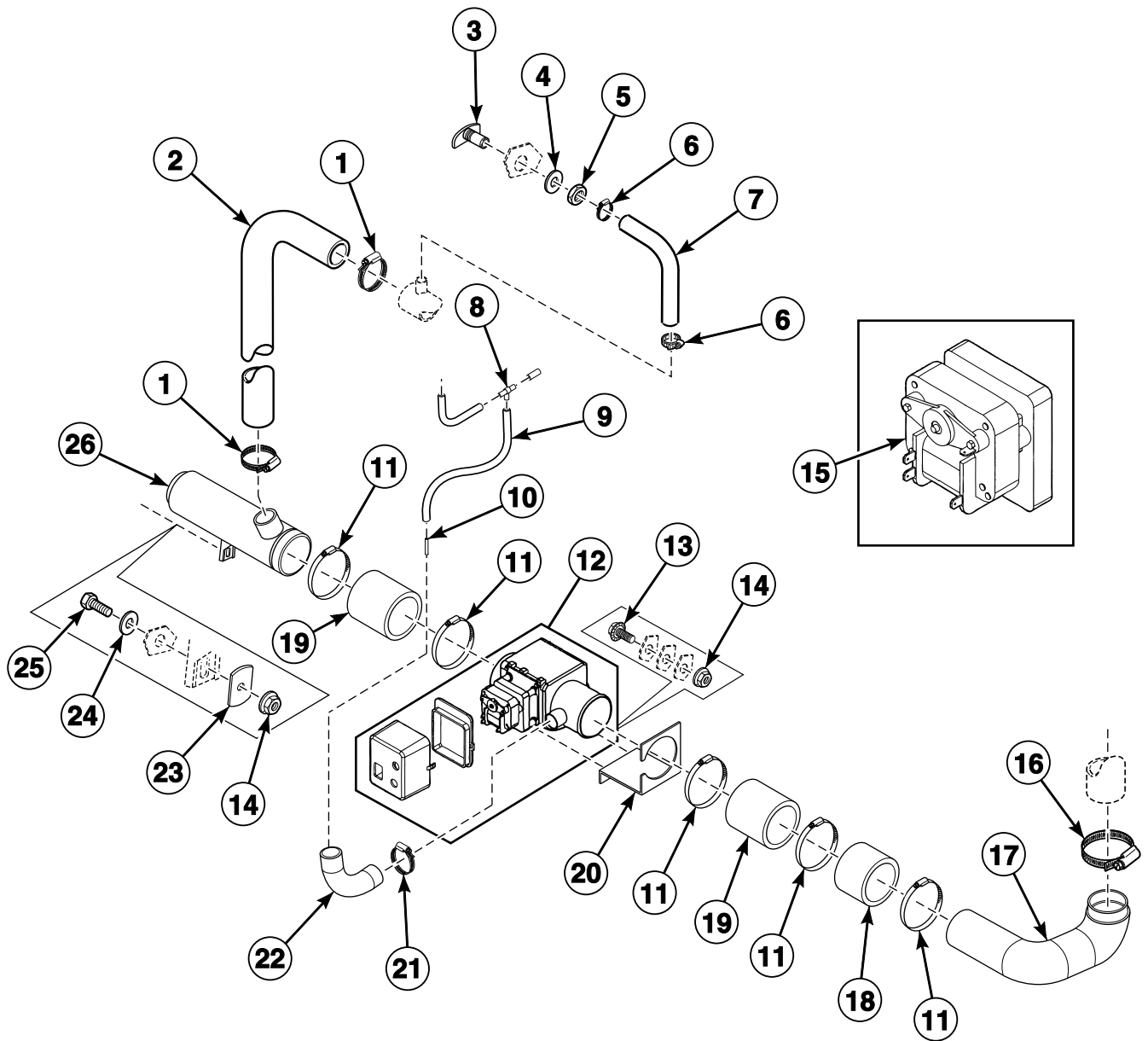


CFD346P_D0886

Drain Plumbing with 2-Inch Drain Valve Starting 8/12/10

REF	PART NO.	DESCRIPTION	COMMENTS
1	223/00014/00	Hose Clamp	
2	223/00210/00	Pressure Switch Elbow	
3	223/00013/00	Hose Clamp	
4	223/00173/10	Pressure Switch Hose Tee	
5	223/00333/00	Pressure Hose	
6	225/10167/00	Program Indicator	
7	223/00011/00	Hose Clamp	
8	223/00225/00	Drain Valve Cover	
9	209/00463/00	Drain Valve	
10	223/00190/00	Drain Valve Hose	*33 and *150 models
	223/00303/00	Drain Valve Hose	*40 and *185 models
11	206/00101/00	Nut	
12	101/00007/00	Outlet Pipe Plate Assembly	
13	201/00007/00	Washer	
14	206/00033/00	Bolt	
15	223/00146/00	Drain Piece	
16	223/00150/00	Overflow Hose	
17	223/00001/04	Prewash and Mainwash Nozzle	
18	201/00002/00	Washer	
19	204/00201/00	Nut	
20	223/00010/00	Hose Clamp	
21	223/00044/01	Water Hose	

Drain Plumbing - *33 and *150 Models with 3-Inch Drain Valve

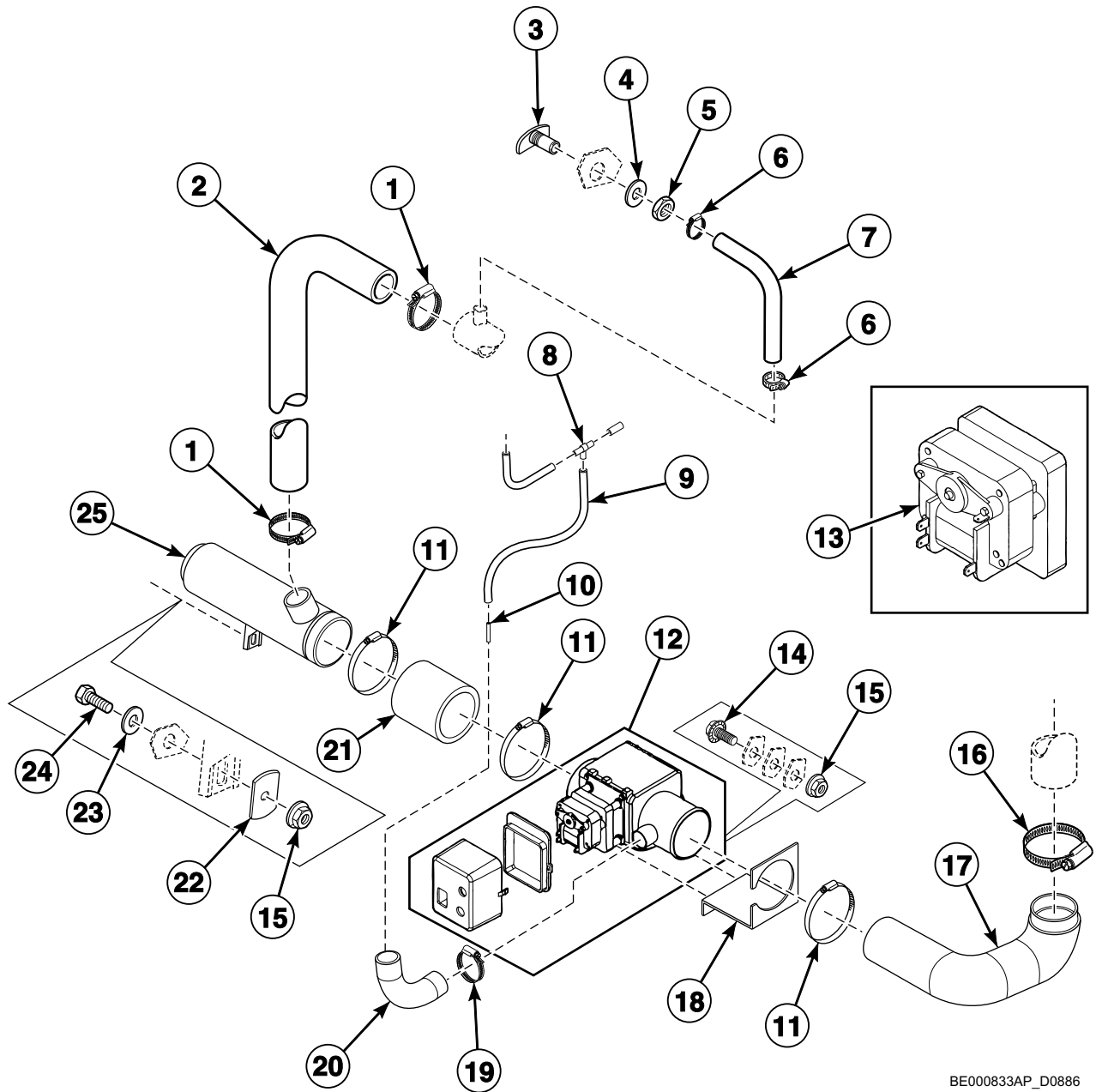


BE000834AP_D0886

Drain Plumbing - *33 and *150 Models with 3-Inch Drain Valve

REF	PART NO.	DESCRIPTION	COMMENTS
1	223/00013/00	Hose Clamp	
2	223/00150/00	Overflow Hose	
3	223/00001/04	Prewash and Mainwash Nozzle	
4	201/00002/00	Washer	
5	204/00201/00	Nut	
6	223/00010/00	Hose Clamp	
7	223/00044/00	Water Hose	
8	223/00173/10	Pressure Switch Hose Tee	
9	223/00333/00	Pressure Hose	
10	223/00016/00	Hose Barb	
11	223/00071/00	Hose Clamp	
12	209/00644/00	Drain Valve	
13	206/00099/00	Bolt	
14	206/00101/00	Nut	
15	209/00644/11	Motor	
16	223/00014/00	Hose Clamp	
17	223/00072/00	Drain Hose	
18	153/00028/00	Tube	
19	223/00263/00	Siphon Break Dispenser Hose	
20	114/00010/00	Drain Valve Plate Assembly	
21	223/00011/00	Hose Clamp	
22	223/00210/00	Pressure Switch Elbow	
23	101/00007/00	Outlet Pipe Plate Assembly	
24	201/00007/00	Washer	
25	206/00033/00	Bolt	
26	223/00106/00	Drain Pipe	

Drain Plumbing - *40 and *185 Models with 3-Inch Drain Valve

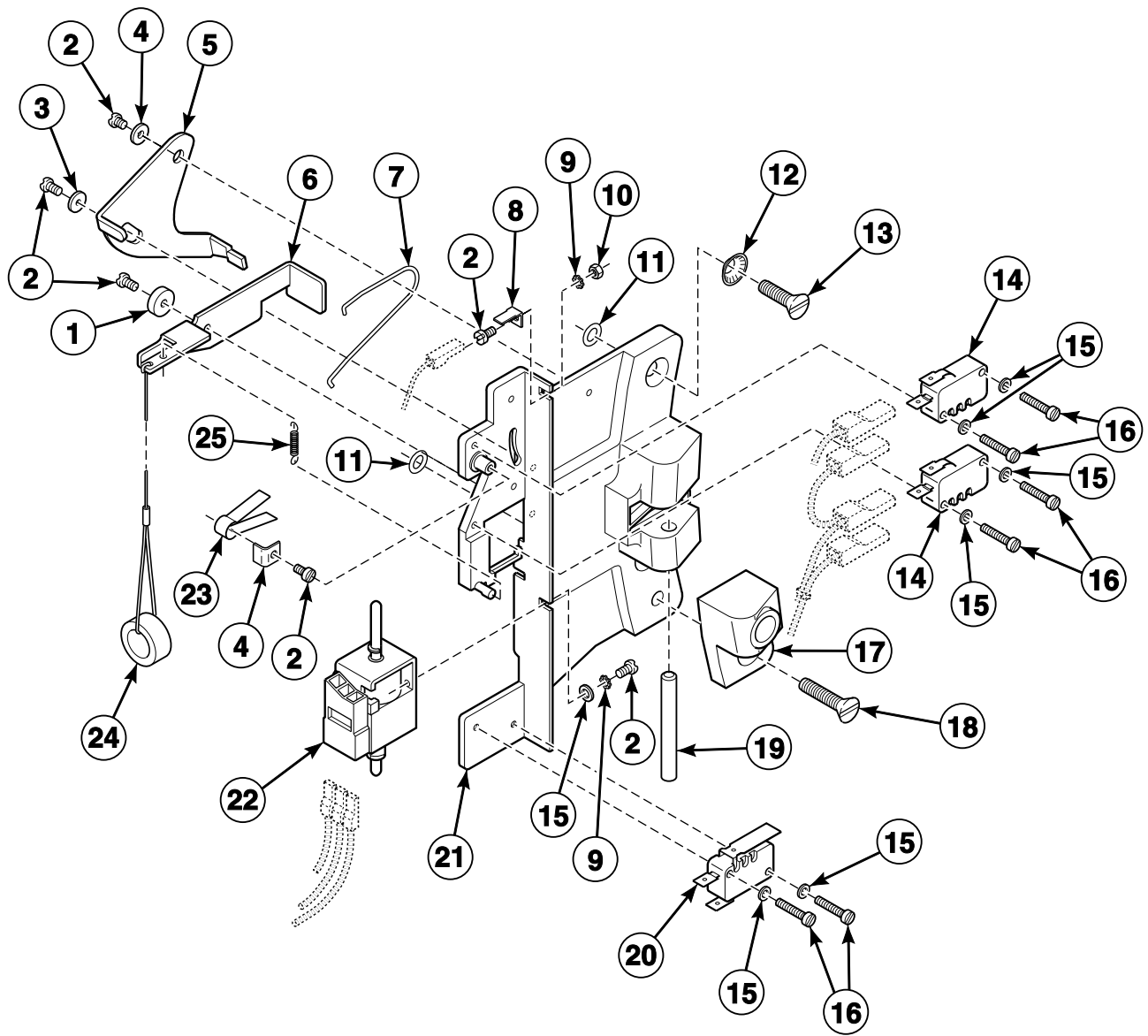


BE000833AP_D0886

Drain Plumbing - *40 and *185 Models with 3-Inch Drain Valve

REF	PART NO.	DESCRIPTION	COMMENTS
1	223/00013/00	Hose Clamp	
2	223/00150/00	Overflow Hose	
3	223/00001/04	Prewash and Mainwash Nozzle	
4	201/00002/00	Washer	
5	204/00201/00	Nut	
6	223/00010/00	Hose Clamp	
7	223/00044/00	Water Hose	
8	223/00173/10	Pressure Switch Hose Tee	
9	223/00333/00	Pressure Hose	
10	223/00016/00	Hose Barb	
11	223/00071/00	Hose Clamp	
12	209/00644/00	Drain Valve	
13	209/00644/11	Motor	
14	206/00099/00	Bolt	
15	206/00101/00	Nut	
16	223/00014/00	Hose Clamp	
17	223/00072/00	Drain Hose	
18	114/00010/00	Drain Valve Plate Assembly	
19	223/00011/00	Hose Clamp	
20	223/00210/00	Pressure Switch Elbow	
21	223/00263/00	Siphon Break Dispenser Hose	
22	101/00007/00	Outlet Pipe Plate Assembly	
23	201/00007/00	Washer	
24	206/00033/00	Bolt	
25	223/00106/00	Drain Pipe	

Door Lock

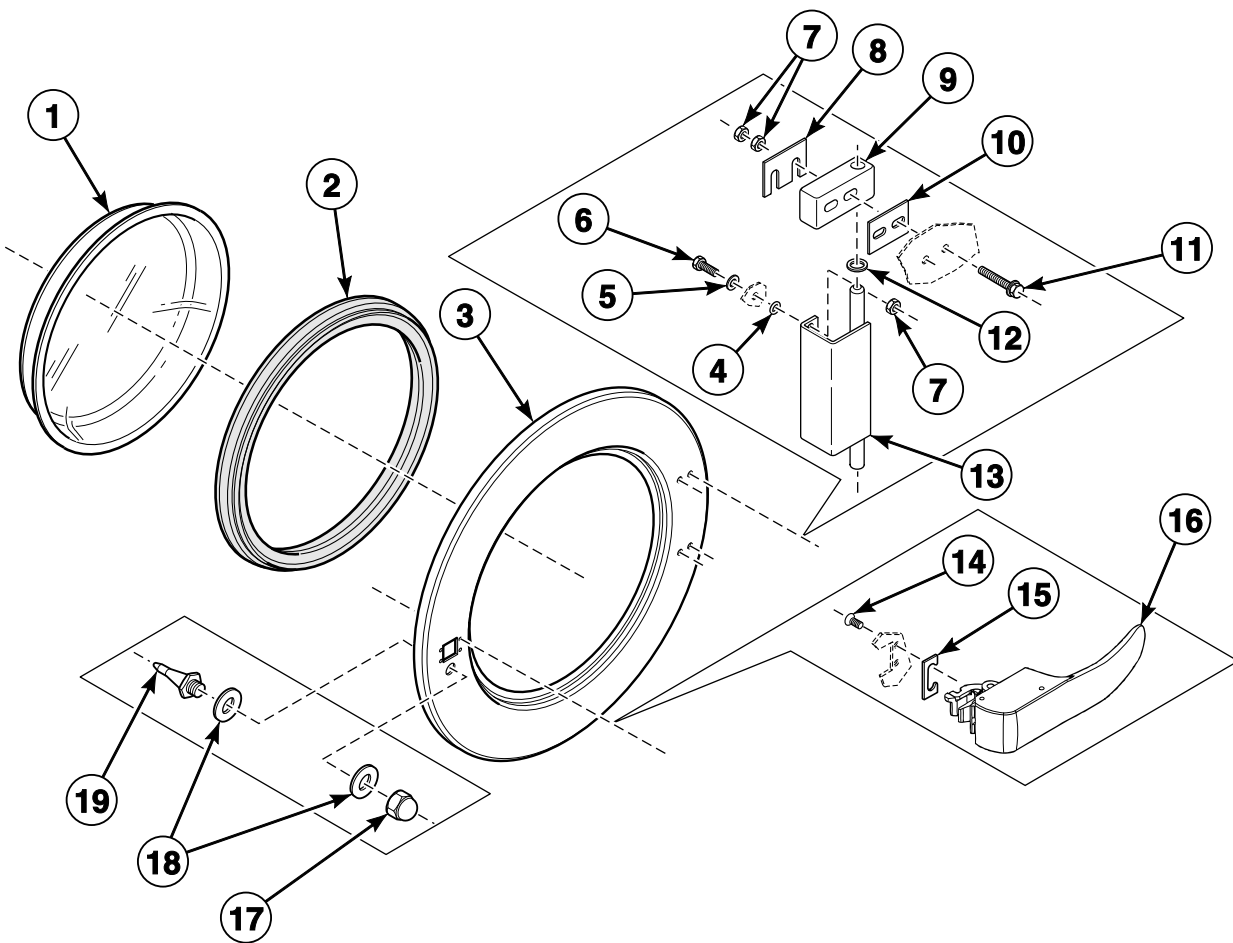


BE000059BP_D0886

Door Lock

REF	PART NO.	DESCRIPTION	COMMENTS
1	217/00052/03	Door Lock Spacer	
2	207/00135/00	Screw	
3	202/00124/00	Washer	
4	201/00017/00	Washer	
5	217/00052/05	Switch Lever	
6	217/00052/04	Interlock Lever	
7	224/00040/00	Lever Spring	
8	210/10015/00	Ground Terminal	
9	203/00007/00	Washer	
10	204/00008/00	Nut	
11	217/00021/00	O-Ring	
12	203/00010/00	Washer	
13	207/00103/00	Screw	
14	209/00272/00	Door Lock Microswitch	
15	201/00018/00	Washer	
16	207/00009/00	Screw	
17	217/00052/11	Door Lock Bracket	
18	207/00102/00	Screw	
19	217/00017/03	Lock Shaft	
20	209/00273/00	Light Microswitch	
21	217/00052/01A	Door Lock Assembly	
22	B12495102	Door Solenoid Assembly	
23	224/00049/00	Door Lock Spring	
24	217/00052/07	Door Release Wire	
25	224/00043/00	Interlock Coil Spring	

Door

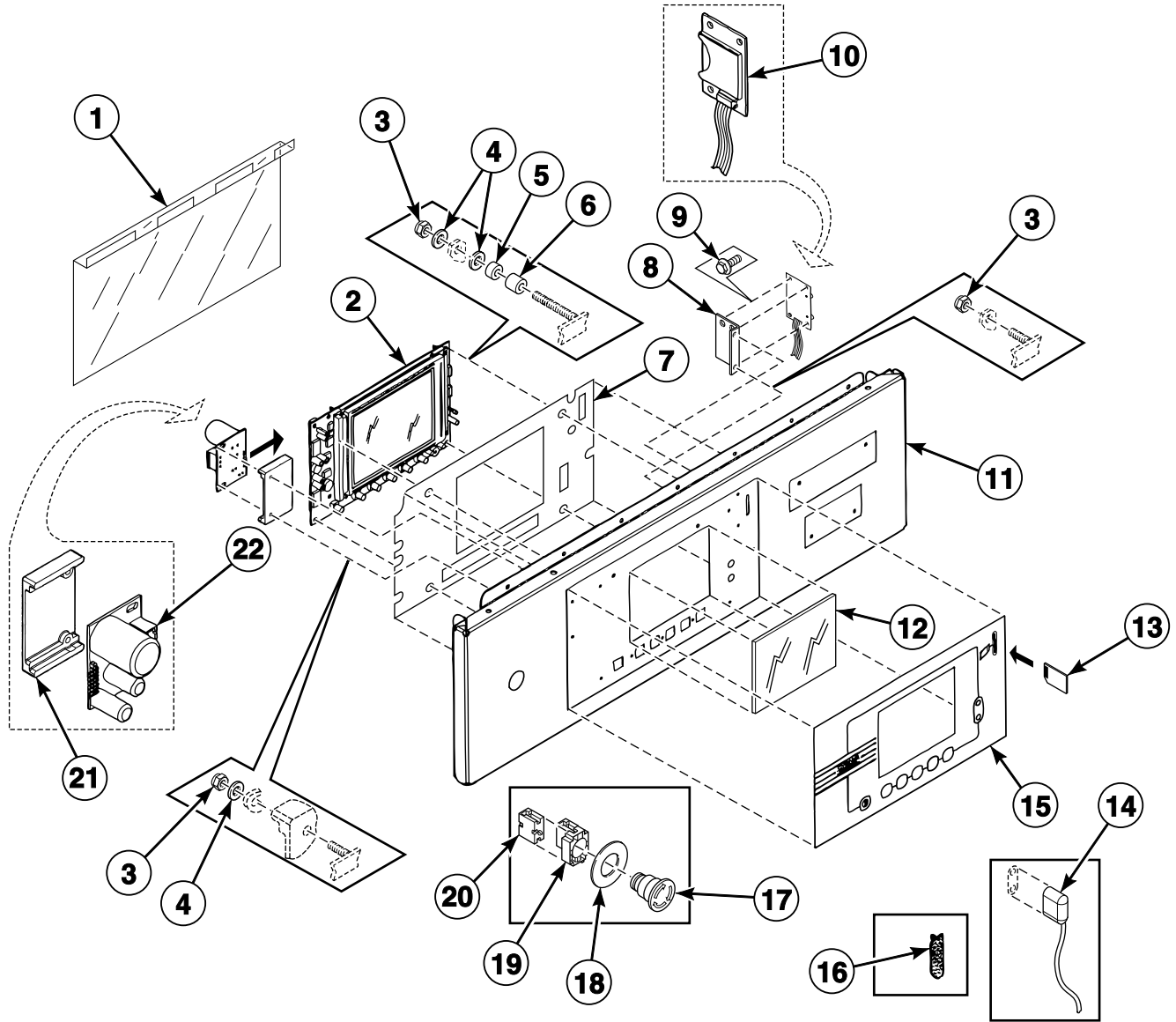


BE000190CP_D0886

Door

REF	PART NO.	DESCRIPTION	COMMENTS
1	B12449801	Door Glass	
2	223/00068/00	Door Glass Seal	
3	118/00125/00	Door	
4	217/00021/00	O-Ring	
5	202/00101/00	Washer	
6	205/00104/00	Bolt	
7	204/00106/00	Nut	
8	111/00003/00	Door Hinge Plate Assembly	
9	253/00022/00	Door Hinge Block	
10	118/00122/00	Door Hinge Spacer	1.5 mm
	118/00124/00	Door Hinge Spacer	2 mm
11	207/00126/00	Screw	
12	202/00104/00	Washer	
13	221/00004/00	Hinge	
14	B12500801	Screw	
15	217/00016/00	Door Handle Stop	
16	217/00059/00	Door Handle	Black
	217/00069/00	Door Handle	Gray; WFF models
17	204/00103/00	Nut	
18	202/00111/00	Washer	
19	211/00109/02	Door Lock Pin Kit	

Control Panel - Cygnus Professional

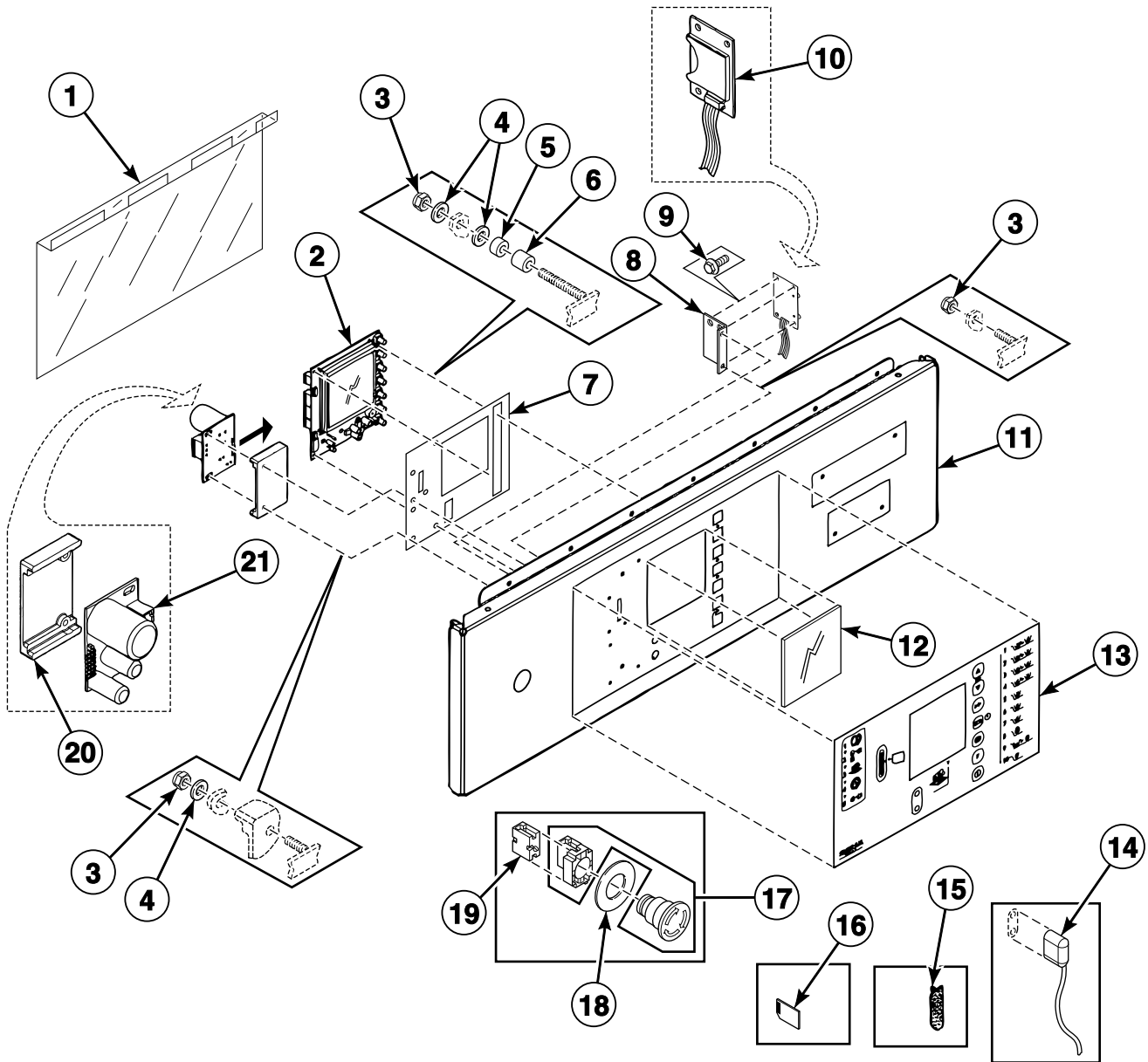


BE000804CP_D0886

Control Panel - Cygnus Professional

REF	PART NO.	DESCRIPTION	COMMENTS
1	229/00289/00	Circuit Board Cover	
2	209/02002/00	Display PC-Board	
3	204/00116/00	Nut	
4	223/00123/00	Washer	
5	211/00128/00	Printboard Separator	
6	211/00122/00	Standoff	
7	229/00268/00	Insulating Sticker	
8	111/01893/00	Printboard Support Card	
9	211/00145/00	Standoff	
10	B12305201	Memory Card PC-Board	Models prior to 4/5/11 require a firmware upgrade
	210/00221/00	Dataflash Card Display Cable	
11	111/01845/00	Upper Front Panel	
12	225/00321/00	Plexi Frame	
13	209/02022/00	Datacard	
14	210/00901/00	Optic Cable	
15	225/10313/00	Operating Sticker	
16	223/00348/00	Datacard Cover	
17	209/00248/20	Mushroom Pushbutton	
18	209/00520/00	Telem Sticker	
19	209/00099/20	Emergency Switch Pushbutton	
20	209/00099/26	Contact Switch	
21	223/00374/00	Mounting Plate	
22	209/02010/00	Door Lock PC-Board	

Control Panel - Cygnus Premium OPL

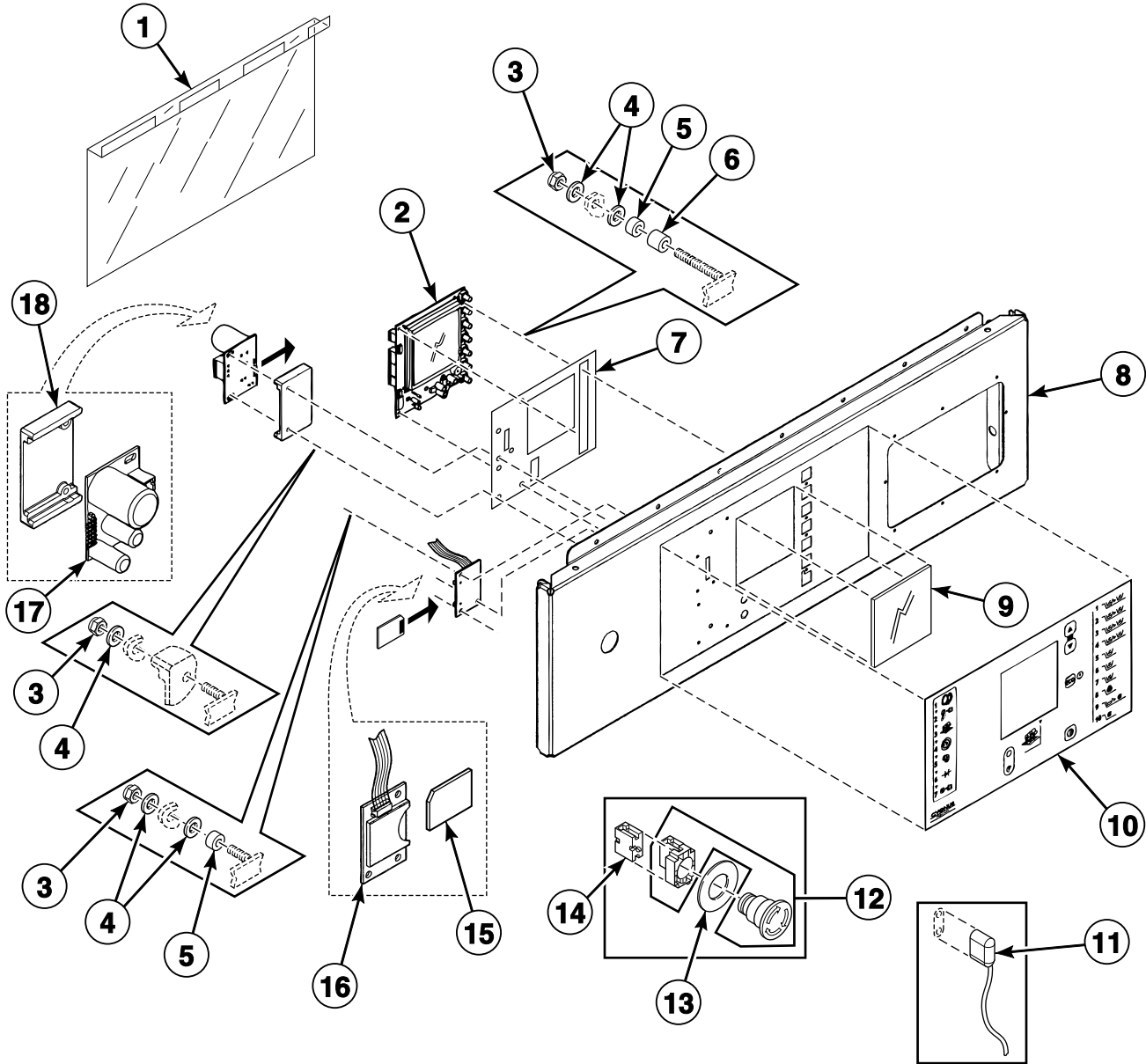


BE000871AP_D0886

Control Panel - Cygnus Premium OPL

REF	PART NO.	DESCRIPTION	COMMENTS
1	229/00289/00	Circuit Board Cover	
2	209/02015/02	Printboard	
3	204/00116/00	Nut	
4	223/00123/00	Washer	
5	211/00128/00	Printboard Separator	
6	211/00122/00	Standoff	
7	229/00291/00	Insulating Sticker	
8	111/01893/00	Printboard Support Card	
9	211/00145/00	Standoff	
10	B12305201	Memory Card PC-Board	Models prior to 4/5/11 require a firmware upgrade
	210/00221/00	Dataflash Card Display Cable	
11	111/01902/00	Operating Panel	
12	225/00323/00	Plexi Frame	
13	225/10404/00	Operating Sticker	With DataFlash card opening
	225/10427/00	Operating Sticker	Without DataFlash card opening
14	210/00901/00	Optic Cable	
15	223/00348/00	Datacard Cover	
16	209/02022/00	Datacard	
17	209/00099/20	Emergency Switch Pushbutton	
18	209/00520/00	Telem Sticker	
19	209/00099/26	Contact Switch	
20	223/00374/00	Mounting Plate	
21	209/02010/00	Door Lock PC-Board	

Control Panel - Cygnus Premium OPL with Frontal Supply Dispenser

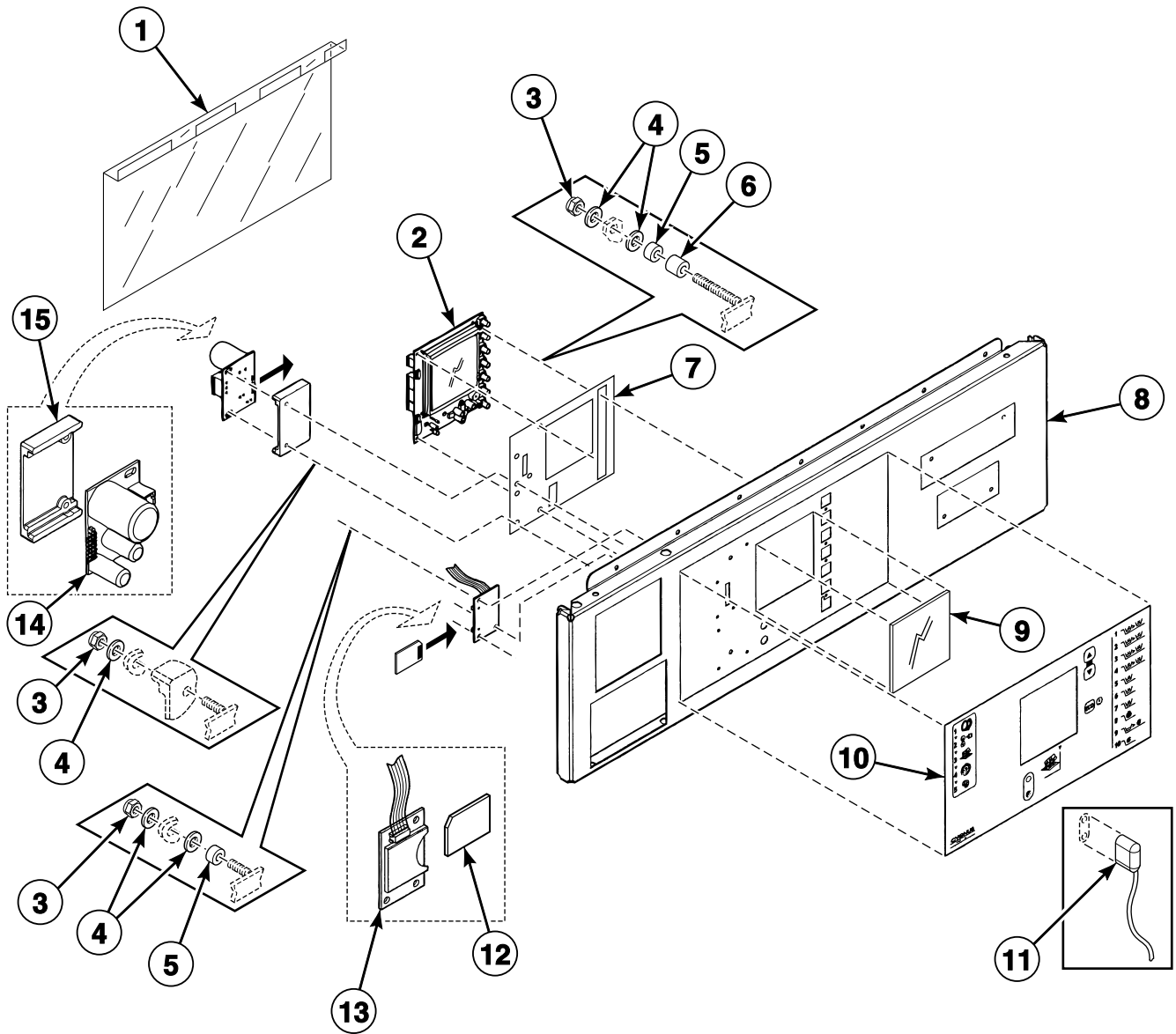


BE000870AP_D0886

Control Panel - Cygnus Premium OPL with Frontal Supply Dispenser

REF	PART NO.	DESCRIPTION	COMMENTS
1	229/00289/00	Circuit Board Cover	
2	209/02015/02	Printboard	
3	204/00116/00	Nut	
4	223/00123/00	Washer	
5	211/00128/00	Printboard Separator	
6	211/00122/00	Standoff	
7	229/00291/00	Insulating Sticker	
8	111/01906/00	Operating Panel	
9	225/00323/00	Plexi Frame	
10	225/10404/00	Operating Sticker	With DataFlash card opening
	225/10427/00	Operating Sticker	Without DataFlash card opening
11	210/00901/00	Optic Cable	
12	209/00099/20	Emergency Switch Pushbutton	
13	209/00520/00	Telem Sticker	
14	209/00099/26	Contact Switch	
15	209/02022/00	Datacard	
16	B12305201	Memory Card PC-Board	Models prior to 4/5/11 require a firmware upgrade
	210/00221/00	Dataflash Card Display Cable	
17	209/02010/00	Door Lock PC-Board	
18	223/00374/00	Mounting Plate	

Control Panel - Cygnus Premium Coin

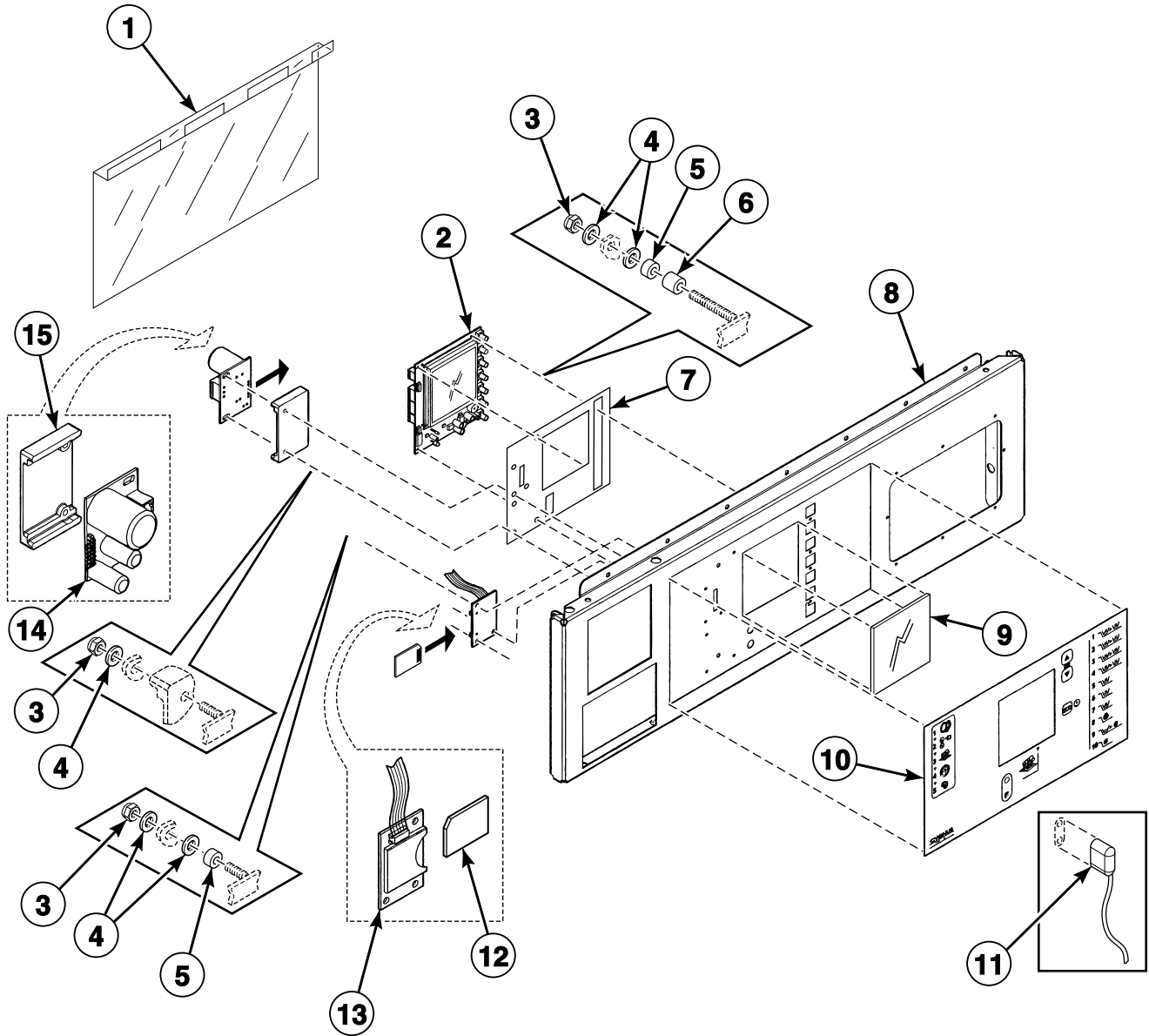


BE000872AP_D0886

Control Panel - Cygnus Premium Coin

REF	PART NO.	DESCRIPTION	COMMENTS
1	229/00289/00	Circuit Board Cover	
2	209/02015/02	Printboard	
3	204/00116/00	Nut	
4	223/00123/00	Washer	
5	211/00128/00	Printboard Separator	
6	211/00122/00	Standoff	
7	229/00291/00	Insulating Sticker	
8	111/01903/00	Operating Panel	
9	225/00323/00	Plexi Frame	
10	225/10405/00	Operating Sticker	With ECO
	225/10477/00	Operating Sticker	Without ECO
11	210/00901/00	Optic Cable	
12	209/02022/00	Datacard	
13	B12305201	Memory Card PC-Board	Models prior to 4/5/11 require a firmware upgrade
	210/00221/00	Dataflash Card Display Cable	
14	209/02010/00	Door Lock PC-Board	
15	223/00374/00	Mounting Plate	

Control Panel - Cygnus Premium Coin with Frontal Supply Dispenser

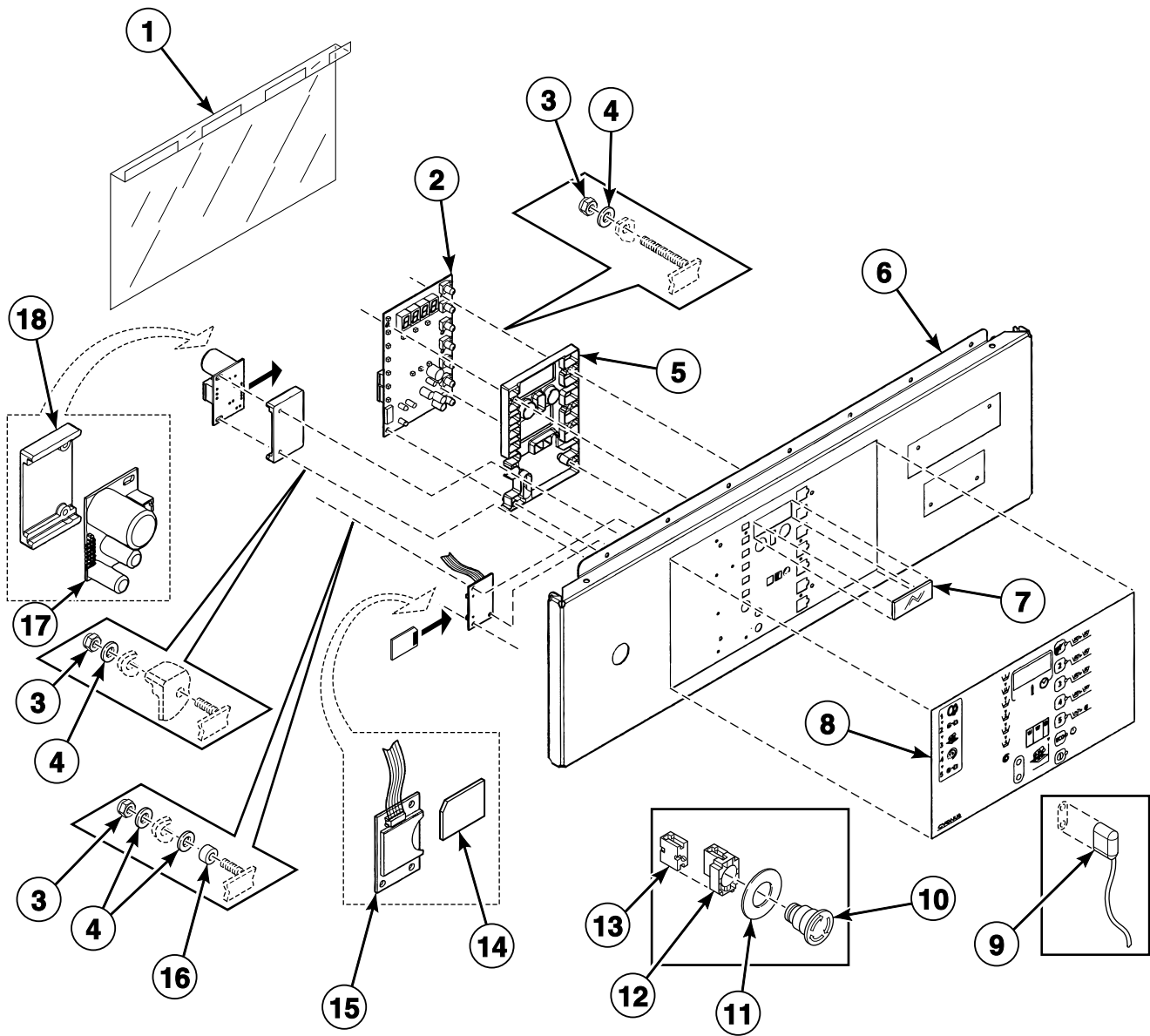


BE000873AP_D0886

Control Panel - Cygnus Premium Coin with Frontal Supply Dispenser

REF	PART NO.	DESCRIPTION	COMMENTS
1	229/00289/00	Circuit Board Cover	
2	209/02015/02	Printboard	
3	204/00116/00	Nut	
4	223/00123/00	Washer	
5	211/00128/00	Printboard Separator	
6	211/00122/00	Standoff	
7	229/00291/00	Insulating Sticker	
8	111/01907/00	Operating Panel	
9	225/00323/00	Plexi Frame	
10	225/10403/00	Operating Sticker	
11	210/00901/00	Optic Cable	
12	209/02022/00	Datacard	
13	B12305201	Memory Card PC-Board	Models prior to 4/5/11 require a firmware upgrade
	210/00221/00	Dataflash Card Display Cable	
14	209/02010/00	Door Lock PC-Board	
15	223/00374/00	Mounting Plate	

Control Panel - Cygnus Standard/Commercial OPL

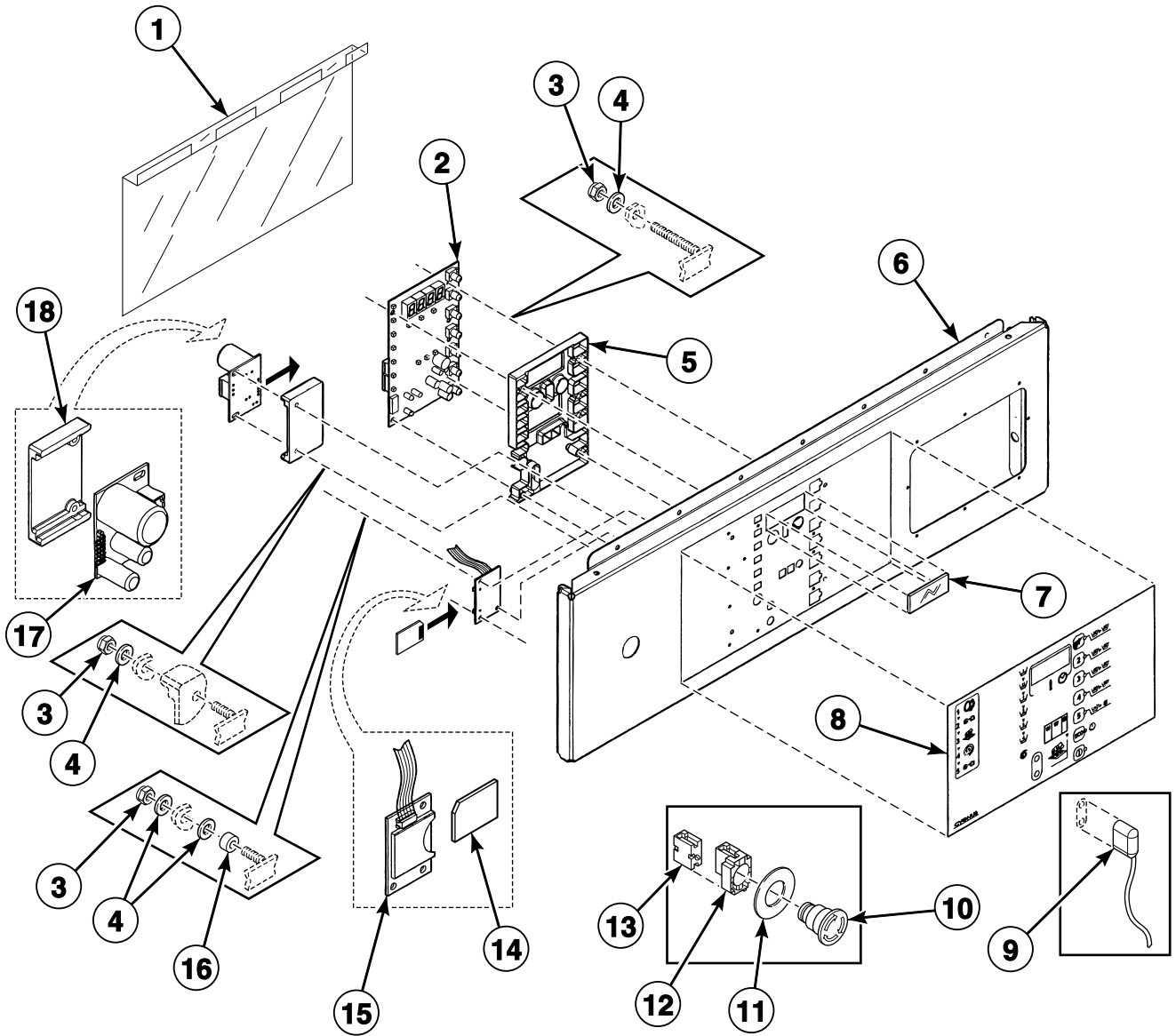


BE000867AP_D0886

Control Panel - Cygnus Standard/Commercial OPL

REF	PART NO.	DESCRIPTION	COMMENTS
1	229/00289/00	Circuit Board Cover	
2	209/02001/02	Printboard	
3	204/00116/00	Nut	
4	223/00123/00	Washer	
5	223/00330/00	Protection LED	
6	111/01828/00	Operating Panel	
7	225/00322/00	Plexi Frame	
8	225/10307/00	Operating Sticker	Models WFF150_CYGNUS-STANDARD_OPL, WFF185_CYGNUS-STANDARD_OPL, WF150_CYGNUS-STANDARD_OPL and WF185_CYGNUS-STANDARD_OPL
	225/10308/00	Operating Sticker	Models WFF150_CYGNUS-COMM_OPL, WFF185_CYGNUS-COMM_OPL, WF150_CYGNUS-COMM_OPL and WF185_CYGNUS-COMM_OPL
9	210/00901/00	Optic Cable	
10	209/00248/20	Mushroom Pushbutton	
11	209/00520/00	Telem Sticker	
12	209/00099/20	Emergency Switch Pushbutton	
13	209/00099/26	Contact Switch	
14	209/02022/00	Datacard	
15	B12305201	Memory Card PC-Board	Models prior to 4/5/11 require a firmware upgrade
	210/00221/00	Dataflash Card Display Cable	
16	211/00128/00	Printboard Separator	
17	209/02010/00	Door Lock PC-Board	
18	223/00374/00	Mounting Plate	

Control Panel - Cygnus Standard/Commercial OPL with Frontal Supply Dispenser

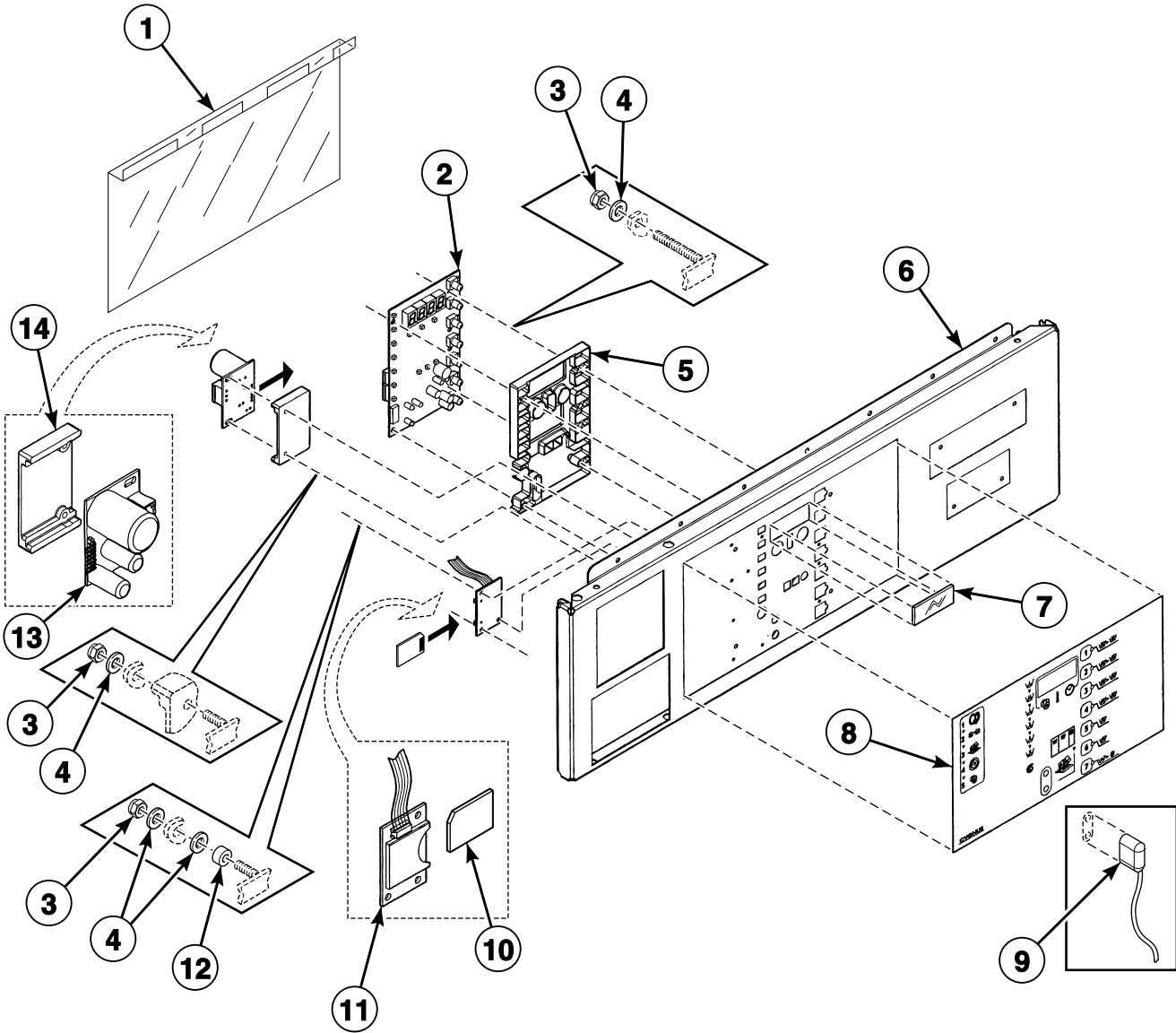


BE000868AP_D0886

Control Panel - Cygnus Standard/Commercial OPL with Frontal Supply Dispenser

REF	PART NO.	DESCRIPTION	COMMENTS
1	229/00289/00	Circuit Board Cover	
2	209/02001/02	Printboard	
3	204/00116/00	Nut	
4	223/00123/00	Washer	
5	223/00330/00	Protection LED	
6	111/01829/00	Operating Panel	
7	225/00322/00	Plexi Frame	
8	225/10307/00	Operating Sticker	Models WFF150_CYGNUS-STANDARD_OPL, WFF185_CYGNUS-STANDARD_OPL, WF150_CYGNUS-STANDARD_OPL and WF185_CYGNUS-STANDARD_OPL
	225/10308/00	Operating Sticker	Models WFF150_CYGNUS-COMM_OPL, WFF185_CYGNUS-COMM_OPL, WF150_CYGNUS-COMM_OPL and WF185_CYGNUS-COMM_OPL
9	210/00901/00	Optic Cable	
10	209/00248/20	Mushroom Pushbutton	
11	209/00520/00	Telem Sticker	
12	209/00099/20	Emergency Switch Pushbutton	
13	209/00099/26	Contact Switch	
14	209/02022/00	Datacard	
15	B12305201	Memory Card PC-Board	Models prior to 4/5/11 require a firmware upgrade
	210/00221/00	Dataflash Card Display Cable	
16	211/00128/00	Printboard Separator	
17	209/02010/00	Door Lock PC-Board	
18	223/00374/00	Mounting Plate	

Control Panel - Cygnus Standard/Commercial Coin

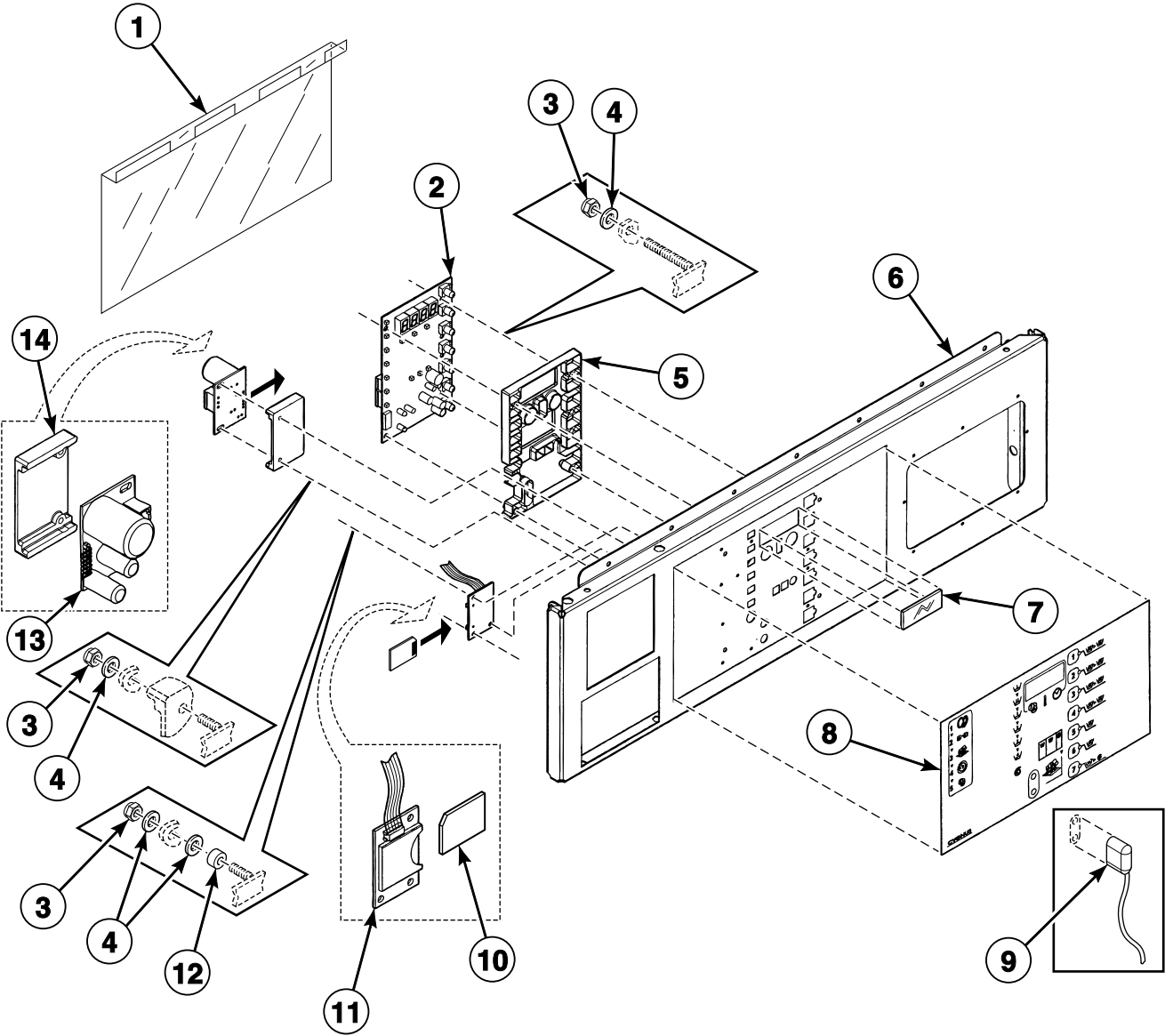


BE000874AP_D0886

Control Panel - Cygnus Standard/Commercial Coin

REF	PART NO.	DESCRIPTION	COMMENTS
1	229/00289/00	Circuit Board Cover	
2	209/02001/02	Printboard	
3	204/00116/00	Nut	
4	223/00123/00	Washer	
5	223/00330/00	Protection LED	
6	111/01819/00	Operating Panel	
7	225/00322/00	Plexi Frame	
8	225/10309/00	Operating Sticker	Models WFF150_CYGNUS-STANDARD_COIN, WFF185_CYGNUS-STANDARD_COIN, WF150_CYGNUS-STANDARD_COIN and WF185_CYGNUS-STANDARD_COIN
	225/10310/00	Operating Sticker	Models WFF150_CYGNUS-COMM_COIN, WFF185_CYGNUS-COMM_COIN, WF150_CYGNUS-COMM_COIN and WF185_CYGNUS-COMM_COIN
9	210/00901/00	Optic Cable	
10	B12305201	Memory Card PC-Board	Models prior to 4/5/11 require a firmware upgrade
	210/00221/00	Dataflash Card Display Cable	
11	209/02022/00	Datacard	
12	211/00128/00	Printboard Separator	
13	209/02010/00	Door Lock PC-Board	
14	223/00374/00	Mounting Plate	

Control Panel - Cygnus Standard/Commercial Coin with Frontal Supply Dispenser

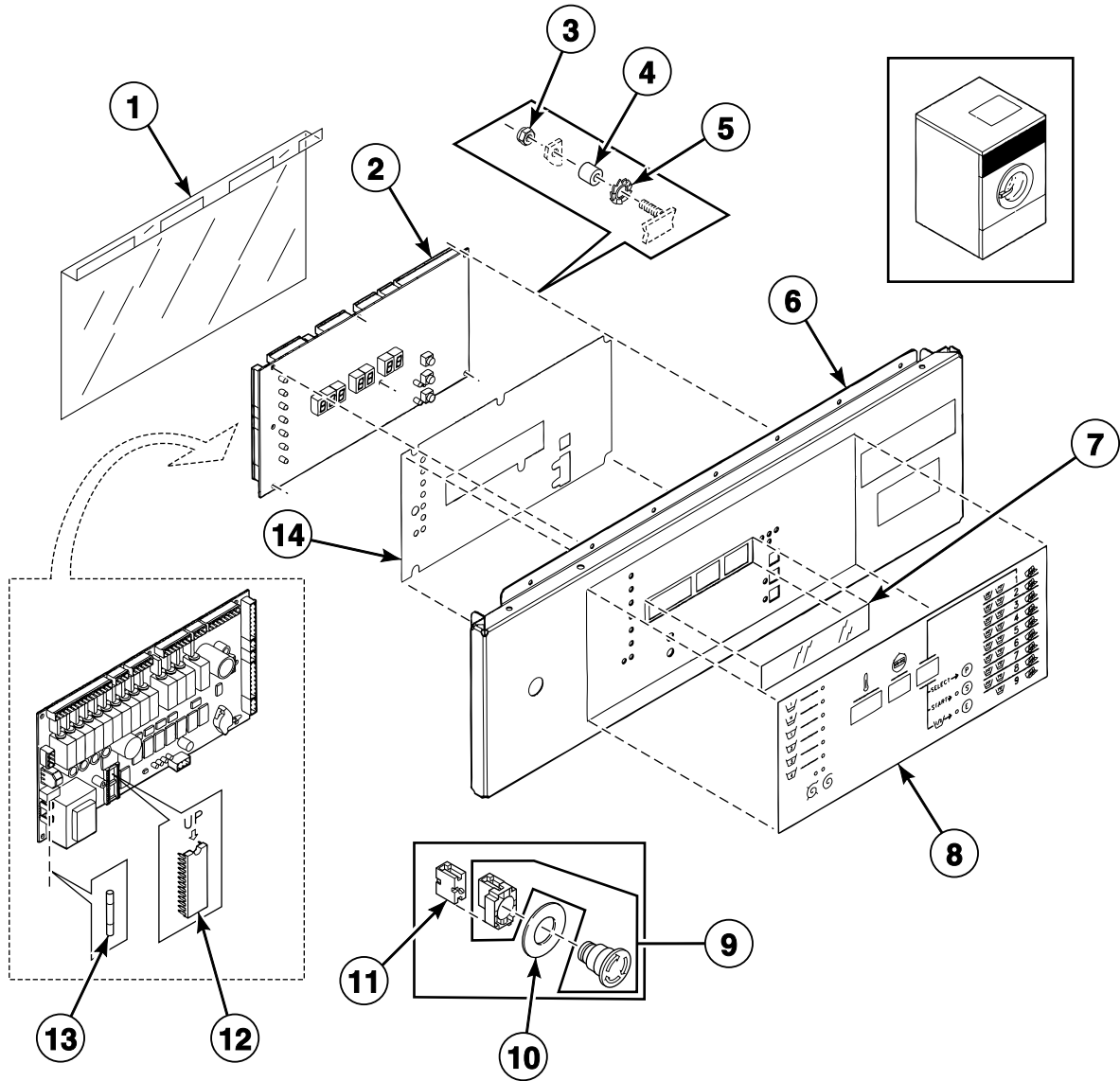


BE000869AP_D0886

Control Panel - Cygnus Standard/Commercial Coin with Frontal Supply Dispenser

REF	PART NO.	DESCRIPTION	COMMENTS
1	229/00289/00	Circuit Board Cover	
2	209/02001/02	Printboard	
3	204/00116/00	Nut	
4	223/00123/00	Washer	
5	223/00330/00	Protection LED	
6	111/01829/00	Operating Panel	
7	225/00322/00	Plexi Frame	
8	225/10305/00	Operating Sticker	Models WFF150_CYGNUS-STANDARD_COIN, WFF185_CYGNUS-STANDARD_COIN, WF150_CYGNUS-STANDARD_COIN and WF185_CYGNUS-STANDARD_COIN
	225/10306/00	Operating Sticker	Models WFF150_CYGNUS-COMM_COIN, WFF185_CYGNUS-COMM_COIN, WF150_CYGNUS-COMM_COIN and WF185_CYGNUS-COMM_COIN
9	210/00901/00	Optic Cable	
10	209/02022/00	Datacard	
11	B12305201	Memory Card PC-Board	Models prior to 4/5/11 require a firmware upgrade
	210/00221/00	Dataflash Card Display Cable	
12	211/00128/00	Printboard Separator	
13	209/02010/00	Door Lock PC-Board	
14	223/00374/00	Mounting Plate	

Control Panel - Micro-20 OPL

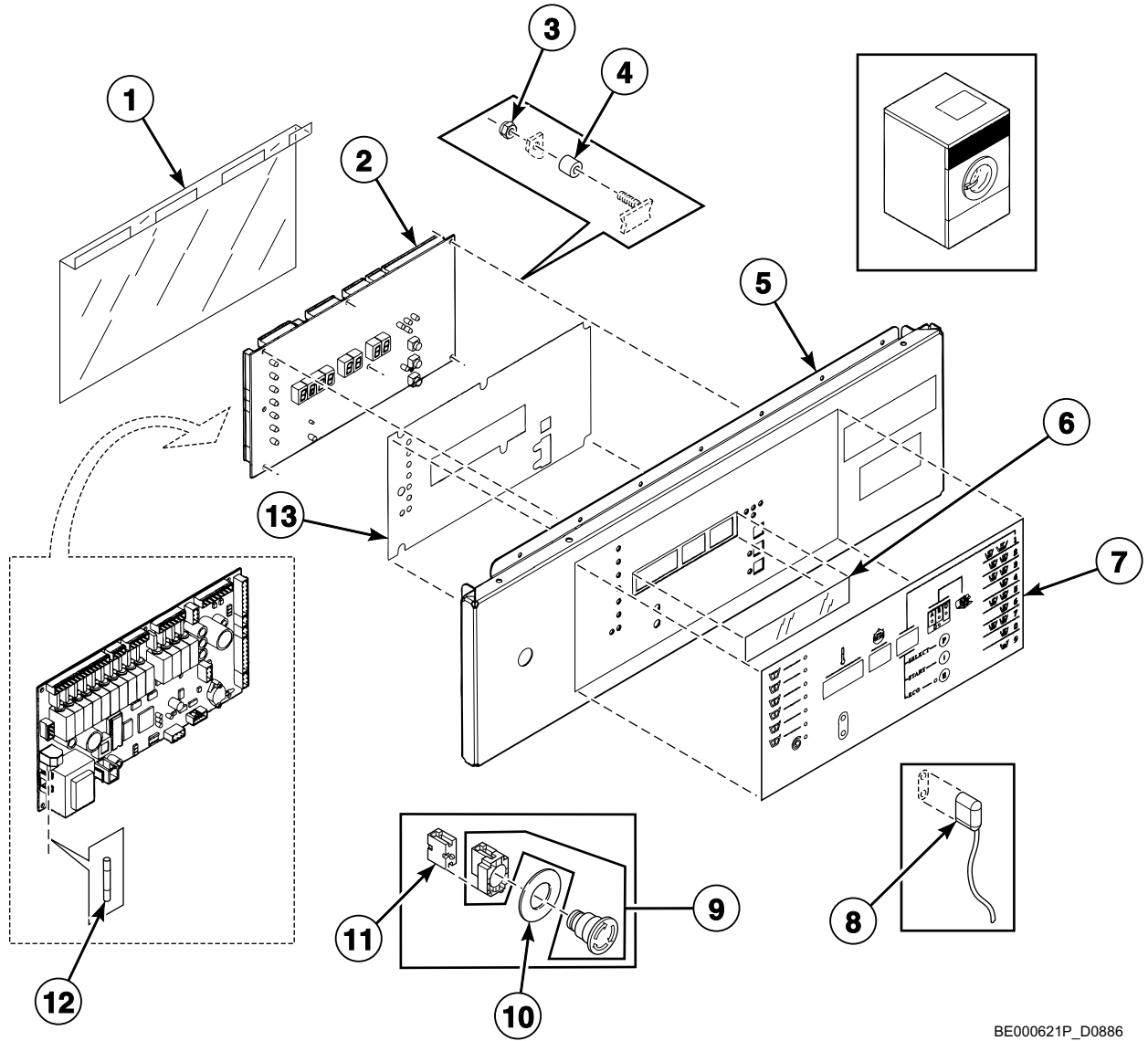


BE000620P_D0886

Control Panel - Micro-20 OPL

REF	PART NO.	DESCRIPTION	COMMENTS
1	229/00289/00	Circuit Board Cover	
2	209/00440/70	Printboard	220 Volt
	209/00440/80	Printboard	115 Volt
3	204/00116/00	Nut	
4	211/00122/00	Standoff	
5	203/00006/00	Washer	
6	111/01816/00	Upper Front Panel	
	111/01799/00	Upper Front Panel	Models WFF150_MICRO-20_OPL, WFF185_MICRO-20_OPL, WF150_MICRO-20_OPL and WF185_MICRO-20_OPL
7	225/00316/00	Plexi Frame	
8	225/00407/00	Keypad Sticker	
9	209/00248/20	Mushroom Pushbutton	
10	209/00520/00	Telem Sticker	
11	209/00099/26	Contact Switch	
12	209/00266/01	Eprom	
13	209/00439/00	Fuse	500 mA
14	229/00255/00	Insulating Sticker	

Control Panel - Sigma OPL

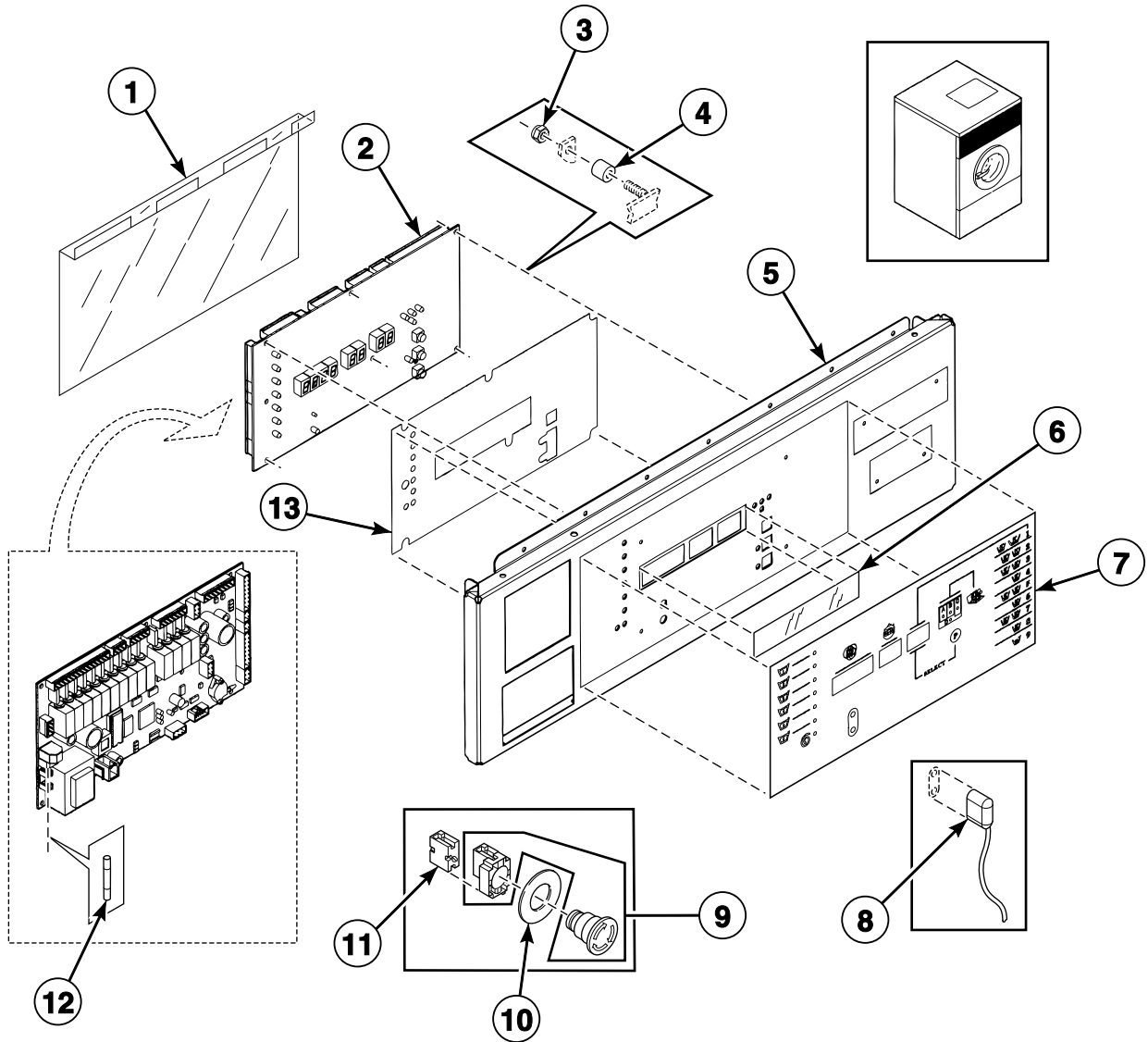


BE000621P_D0886

Control Panel - Sigma OPL

REF	PART NO.	DESCRIPTION	COMMENTS
1	229/00262/00	Circuit Board Cover	
2	209/00547/00	Control Board	
3	204/00114/00	Nut	
4	211/00122/00	Standoff	
5	111/01816/00	Upper Front Panel	
6	225/00316/00	Plexi Frame	
7	225/00404/00	Operating Sticker	With ECO
	225/00405/00	Operating Sticker	Without ECO
8	210/00902/00	Infrared Cable	
9	209/00248/20	Mushroom Pushbutton	
10	209/00520/00	Telem Sticker	
11	209/00099/26	Contact Switch	
12	209/00439/00	Fuse	500 mA
13	229/00255/00	Insulating Sticker	

Control Panel - Micro-20 and Sigma Coin

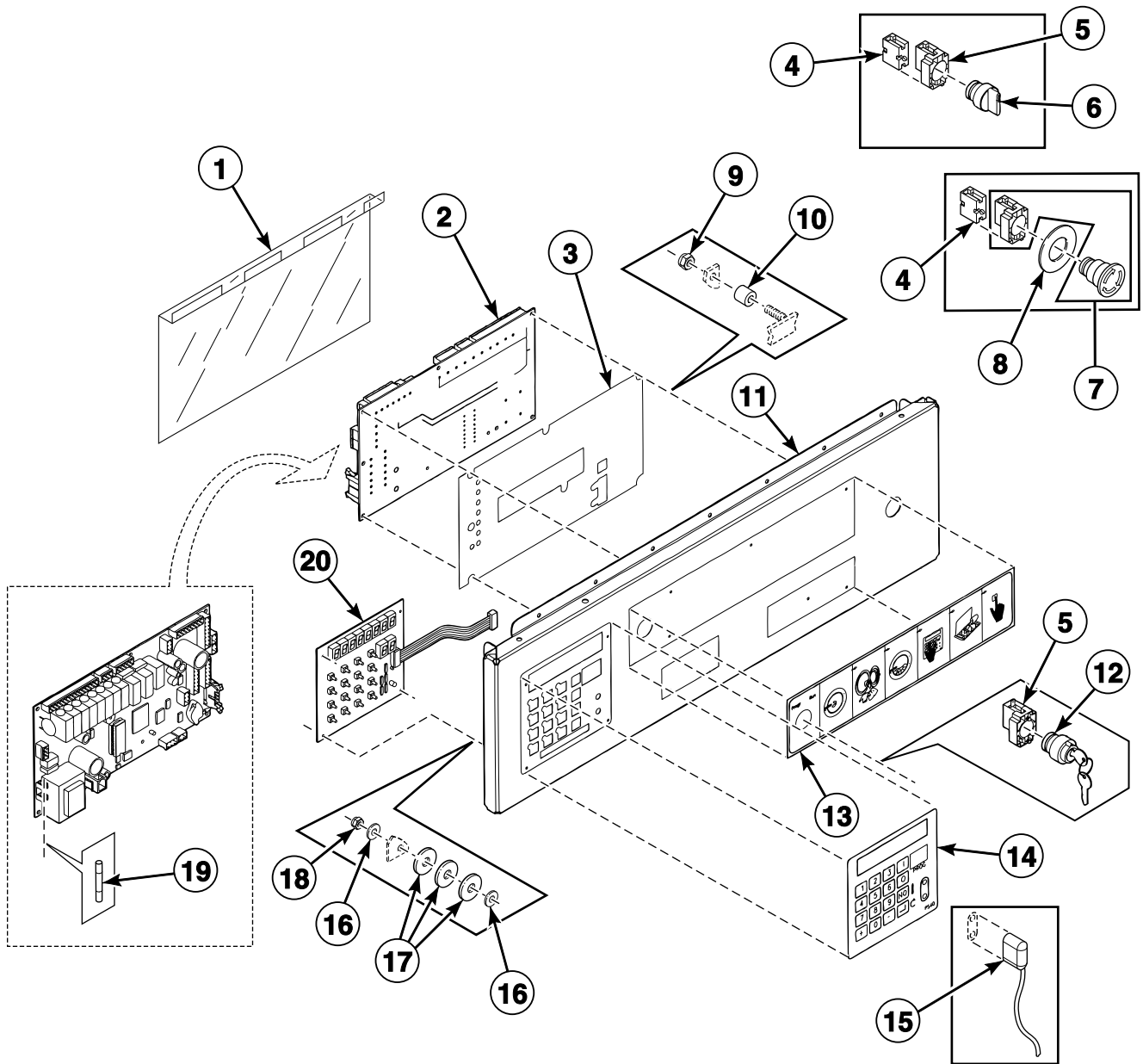


BE000629P_D0886

Control Panel - Micro-20 and Sigma Coin

REF	PART NO.	DESCRIPTION	COMMENTS
1	229/00262/00	Circuit Board Cover	
2	209/00547/00	Control Board	Sigma control models
	209/00440/02	Printboard	Micro-20 control models; 115 Volt
	209/00440/00	Printboard	Micro-20 control models; 220 Volt; Individual terminals
	209/00440/70	Printboard	Micro-20 control models; 220 Volt; Phoenix connectors
3	204/00116/00	Nut	
4	211/00122/00	Standoff	
5	111/01811/00	Facia Panel	
	111/01811/01	Upper Front Panel	
6	225/00316/00	Plexi Frame	
7	225/00406/00	Operating Label	Micro-20 models
	225/00403/00	Decal	Sigma models
8	210/00902/00	Infrared Cable	
9	209/00248/20	Mushroom Pushbutton	
10	209/00520/00	Telem Sticker	
11	209/00099/26	Contact Switch	
12	209/00439/00	Fuse	500 mA
13	229/00255/00	Insulating Sticker	

Control Panel - PS40F

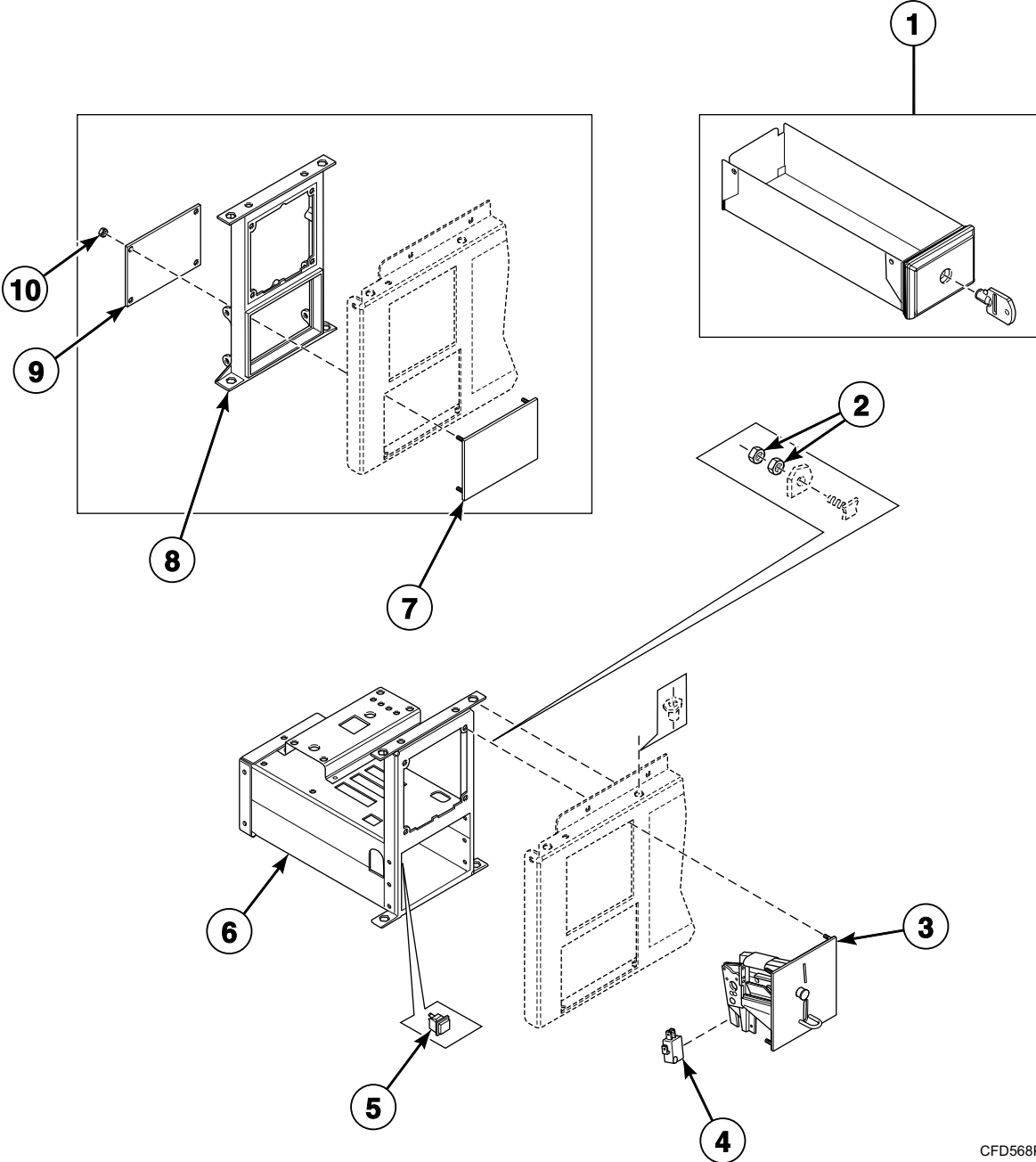


BE000622P_D0886

Control Panel - PS40F

REF	PART NO.	DESCRIPTION	COMMENTS
1	229/00262/00	Circuit Board Cover	
2	B12351701	Main Board	
3	229/00255/00	Insulating Sticker	
4	209/00099/26	Contact Switch	
5	209/00099/25	Switch Base	
6	209/00099/29	Switch Knob	
7	209/00248/20	Mushroom Pushbutton	
8	209/00520/00	Telem Sticker	
9	204/00116/00	Nut	
10	211/00122/00	Standoff	
11	111/01850/00	Facia Panel	
12	209/00326/20	Programming Key Contact Switch	
13	225/00400/00	Operating Sticker	
14	225/00397/00	Label	
15	210/00902/00	Infrared Cable	
16	223/00123/00	Washer	
17	223/00051/10	Washer	
18	204/00116/00	Nut	
19	209/00372/01	Fuse	125 mA
20	209/00552/01	Keypad	

Coin Drop - Mechanical Coin Meter with Microswitch



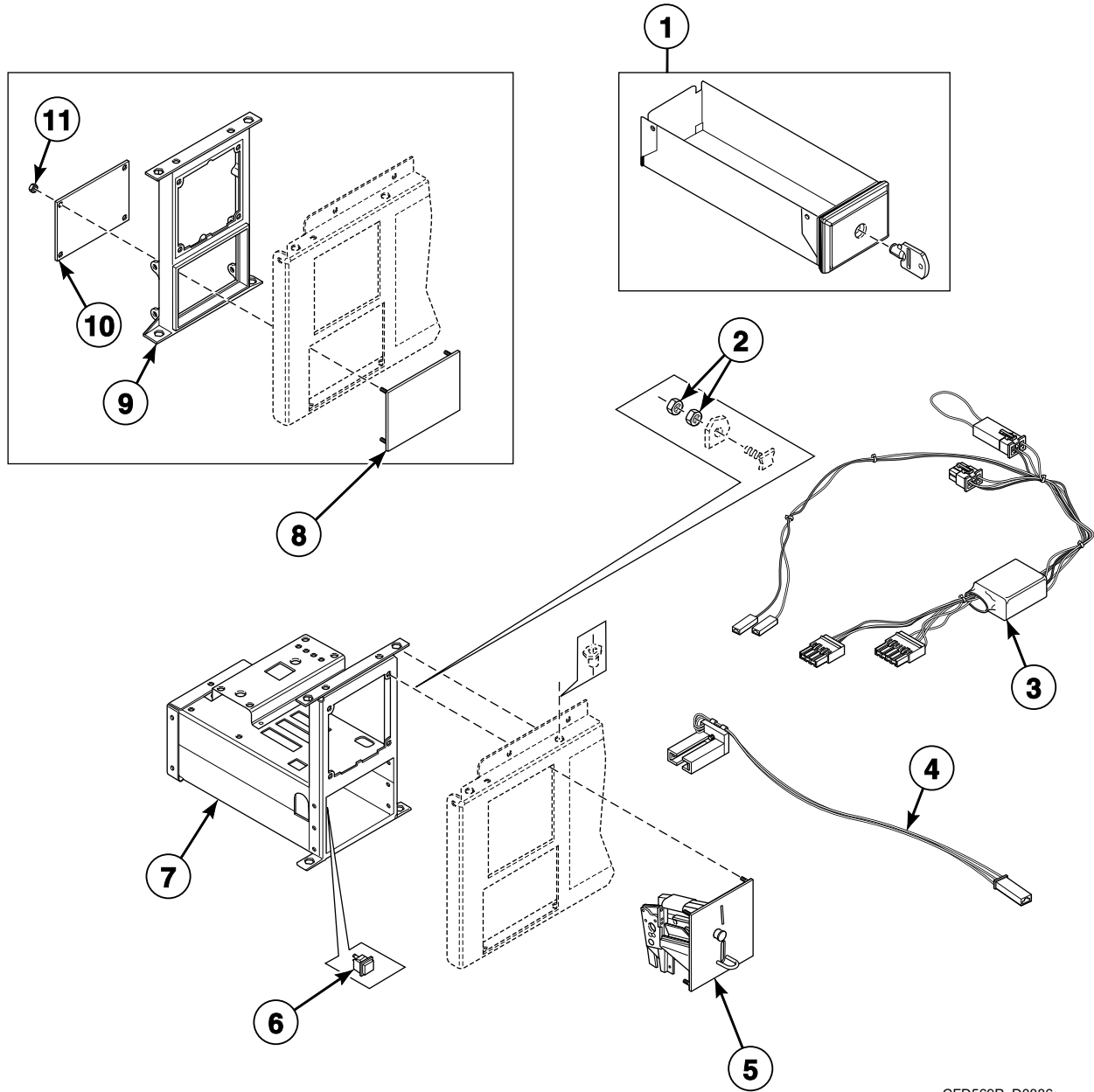
CFD568P_D0886

Coin Drop - Mechanical Coin Meter with Microswitch

REF	PART NO.	DESCRIPTION	COMMENTS
	B12388101	Single Drop Optical Sensor Kit	Includes items 3 and 4
	B12388102	Dual Drop Optical Sensor Kit	Includes items 3 and 4
1	254/00077/00	Coin Box	
	254/00077/02	Key	
2	204/00008/00	Nut	
3	B12311224	Coin Drop	Jeton 5K; **
	B12311206	Coin Drop	Jeton 7K; **
	B12311201	Coin Drop	Jeton 10K; **
	B12311210	Coin Drop	Jeton 12K; **
	B12311252	Coin Drop	Jeton 10K and .5 euro; **
	B12311211	Coin Drop	Jeton 7K and 1 euro; **
	B12323901	Coin Drop	Jeton 15K and 7K; **
	B12311204	Coin Drop	Jeton gettone; **
	B12311234	Coin Drop	Jeton crouzet; **
	B12311247	Coin Drop	Jeton 118-1; **
	B12311248	Coin Drop	Jeton 118-5; **
	B12311222	Coin Drop	1 euro; **
	B12311214	Coin Drop	.5 euro; **
	B12311202	Coin Drop	.5 and 1 euro; **
	B12311239	Coin Drop	.5 and 2 euro; **
	B12311205	Coin Drop	.2 and 1 euro; **
	B11211209	Coin Drop	.2 and .5 euro; **
	B12311218	Coin Drop	1 and 1 euro; **
	B12311219	Coin Drop	1 and 2 euro; **
	B12311203	Coin Drop	1 and 2 frank; **
	B12311207	Coin Drop	1 Deense kroon; **
	B12311225	Coin Drop	10 Deense kronen; **
	B12311235	Coin Drop	10 Tsjechische kronen; **
	B12311244	Coin Drop	10 Noorse kronen; **
	B12311208	Coin Drop	100 and 500 yen; **
	B12311212	Coin Drop	15K; **
	B12311215	Coin Drop	1 kro; **
	B12311226	Coin Drop	Australian 1.00; **
	B12311216	Coin Drop	Australian .2 and 1.00; **
	B12311220	Coin Drop	New Zealand 1.00; **
	B12311221	Coin Drop	.5 and 2 zwitsers; **
	B12311241	Coin Drop	Hong Kong 1.00; **
	B12311249	Coin Drop	Hong Kong 5.00; **
	B12311301	Coin Drop	U.S. \$.25; **
	B12311302	Coin Drop	U.S. \$.25 and \$1.00; **
	B12311304	Coin Drop	Canada 1.00 and .25; **
	B12323401	Coin Drop	Singapore 1.00; **
4	209/00600/01P	Switch	
5	209/00396/00	Pushbutton	
6	152/00112/00	Mechanical Coin Meter Housing	
7	111/01001/00	Top Panel	Gray
	111/01000/00	Front Plate	Black
8	217/00060/00	Fastening Piece	
9	111/01002/00	Backplate	
10	204/00116/00	Nut	

**** NOTE: B12388101 Single Drop Optical Sensor Kit or B12388102 Dual Drop Optical Sensor Kit is required to convert from microswitch to optical switch**

Coin Drop - Mechanical Coin Meter with Optical Switch

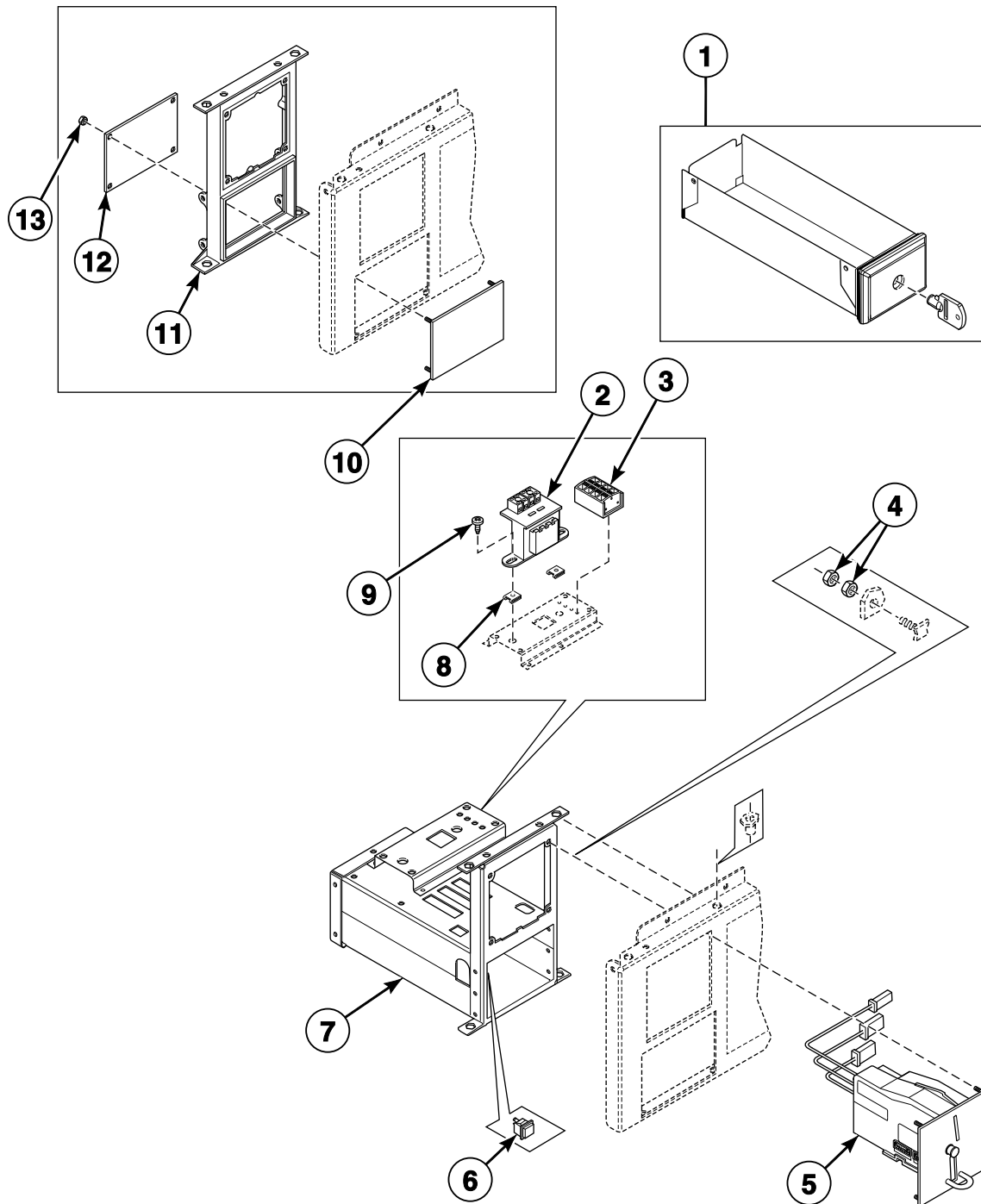


CFD569P_D0886

Coin Drop - Mechanical Coin Meter with Optical Switch

REF	PART NO.	DESCRIPTION	COMMENTS
	B12388101	Single Drop Optical Sensor Kit	Includes items 3 and 4
	B12388102	Dual Drop Optical Sensor Kit	Includes items 3 and 4
1	254/00077/00	Coin Box	
	254/00077/02	Key	
2	204/00008/00	Nut	
3	B12359901	Wire Assembly	Micro-20 and Sigma models
4	209/00781/00	Optical Switch	Micro-20 and Sigma models
5	N/A	Coin Drop	To repair the coin drop, order B12388101 Single Drop Optical Sensor Kit or B12388102 Dual Drop Optical Sensor Kit; To replace the coin drop, order B12359901 Wire Assembly and the desired mechanical coin meter with optical switch
6	209/00396/00	Pushbutton	
7	152/00112/00	Mechanical Coin Meter Housing	
8	111/01001/00	Top Panel	Gray
	111/01000/00	Front Plate	Black
9	217/00060/00	Fastening Piece	
10	111/01002/00	Backplate	
11	204/00116/00	Nut	

Coin Drop - Electronic Coin Meter

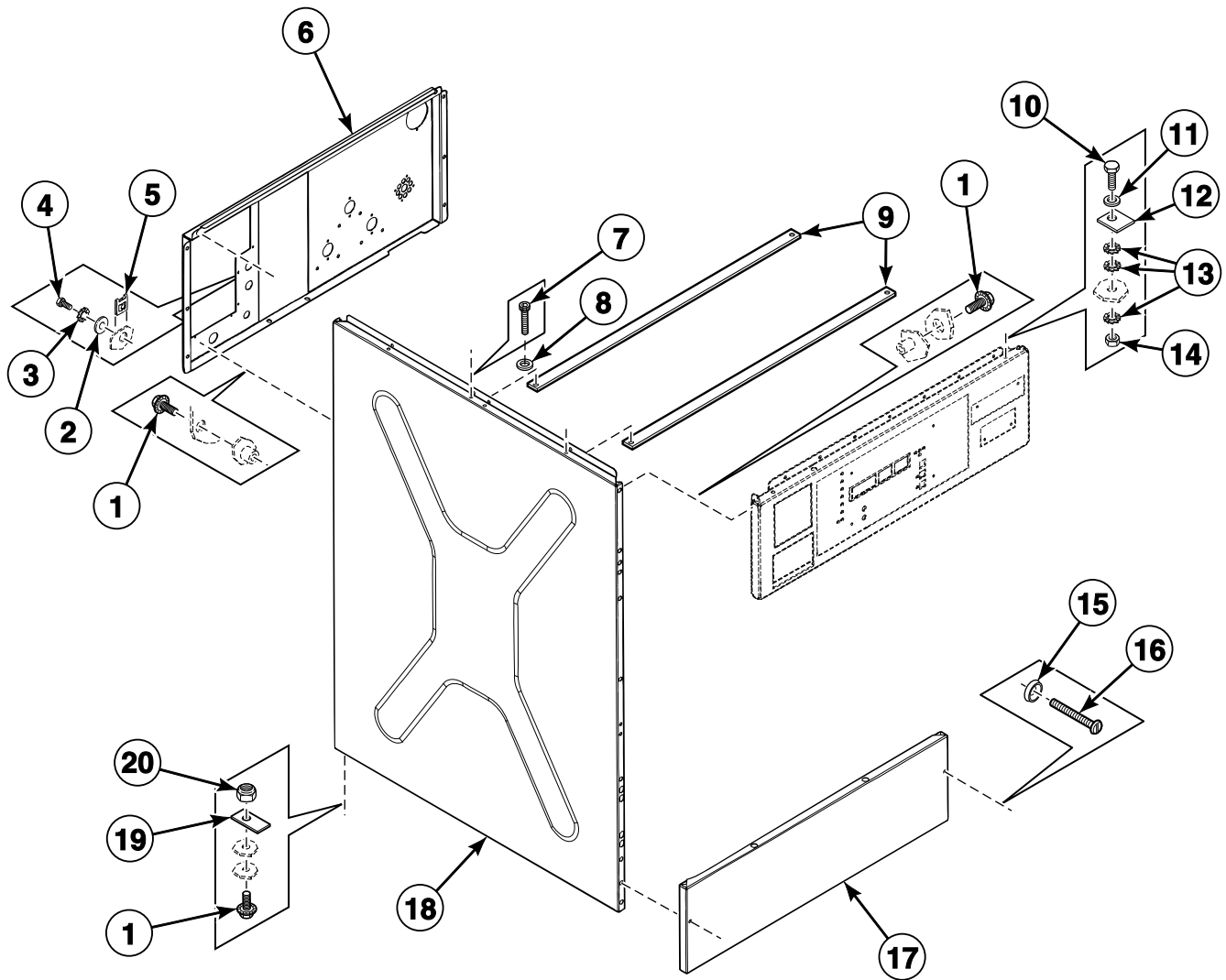


CFD511P_D0886

Coin Drop - Electronic Coin Meter

REF	PART NO.	DESCRIPTION	COMMENTS
1	254/00077/00	Coin Box	
	254/00077/02	Key	
2	209/00682/00	Transformer	
3	209/00683/00	Input Block	
4	204/00008/00	Nut	
5	B12311401	Coin Drop	Cygnus control models
6	209/00396/00	Pushbutton	
7	152/00112/50	Electronic Coin Meter Housing	
8	208/00002/00	Nut	
9	208/00014/00	Screw	
10	111/01001/00	Top Panel	Gray
	111/01000/00	Front Plate	Black
11	217/00060/00	Fastening Piece	
12	111/01002/00	Backplate	
13	204/00116/00	Nut	

Left Side, Lower Front and Upper Back Panels

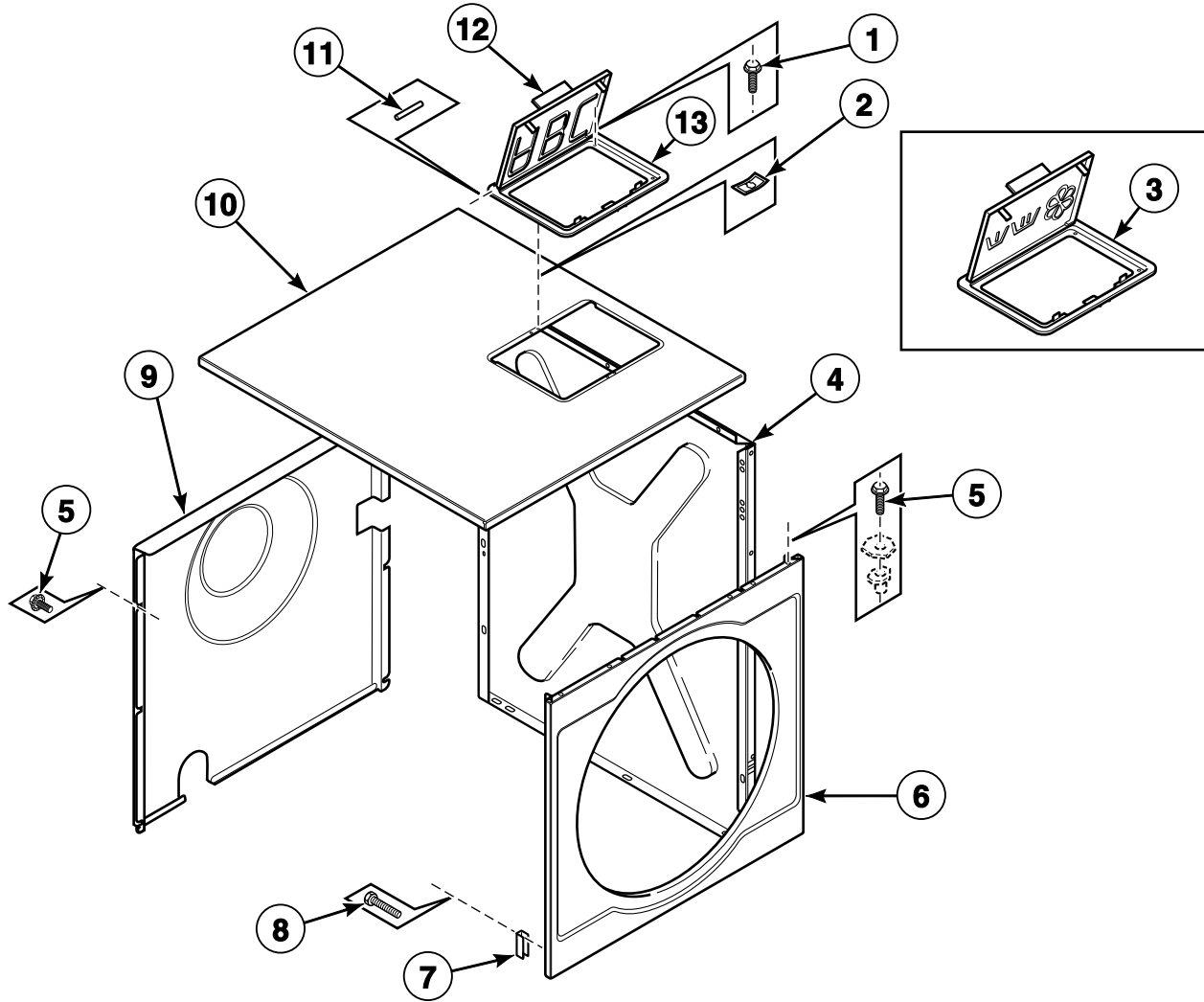


CFD488P_D0886

Left Side, Lower Front and Upper Back Panels

REF	PART NO.	DESCRIPTION	COMMENTS
1	206/00099/00	Bolt	
2	201/00006/00	Washer	
3	203/00015/00	Washer	
4	208/00014/00	Screw	
5	208/00025/00	Nut	
6	111/01833/00	Backbridge	
7	206/00166/00	Screw	
8	B12421401	Washer	
9	111/00970/00	Crossbar	
10	205/00106/00	Bolt	
11	202/00003/00	Washer	
12	117/00042/00	Retaining Ring	
13	203/00005/00	Washer	
14	204/00006/00	Nut	
15	208/00009/00	Washer	
16	207/00101/00	Screw	
17	111/01803/00	Lower Front Panel	
18	111/22727/00	Side Panel	*33 and *150 models; Stainless steel
	111/22728/40	Side Panel	*40 and *185 models; Stainless steel
	111/60037/00	Side Panel	*33 and *150 models; Black
	111/60039/00	Side Panel	*40 and *185 models; Black
19	101/00007/00	Outlet Pipe Plate Assembly	
20	204/00009/00	Nut	

Right Side, Front, Lower Rear and Top Panels

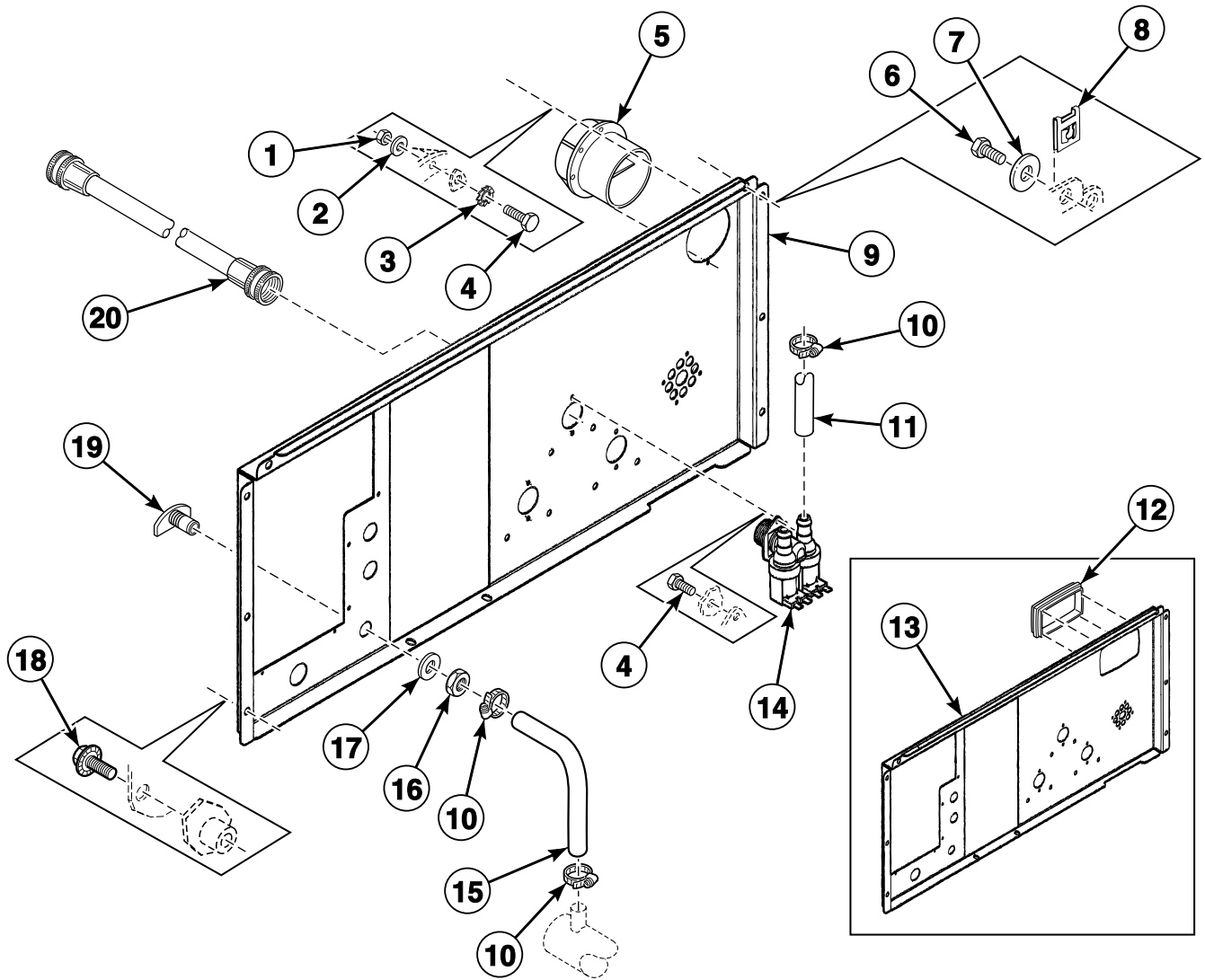


BE000824AP_D0886

Right Side, Front, Lower Rear and Top Panels

REF	PART NO.	DESCRIPTION	COMMENTS
1	207/00125/00	Bolt	
2	208/00104/00	Nut	
3	223/00103/50	Soap Dispenser Cover	Symbols
4	111/22727/00	Side Panel	*33 and *150 models; Stainless steel
	111/22728/40	Side Panel	*40 and *185 models; Stainless steel
	111/60037/00	Side Panel	*33 and *150 models; Black
	111/60039/00	Side Panel	*40 and *185 models; Black
5	206/00099/00	Bolt	
6	111/00292/00	Front Panel	
7	111/10089/01	Reinforcement Plate	
8	206/00114/00	Bolt	
9	152/00053/02	Back Panel	
10	111/22741/00	Top Panel	*33 and *150 models
	111/22743/00	Top Panel	*40 and *185 models
11	223/00103/04	Soap Dispenser Cover Hinge Rod	2 required
12	223/00103/01	Soap Dispenser Cover	A, B, C
13	223/00103/03	Soap Dispenser Frame	

Water Inlet Valves

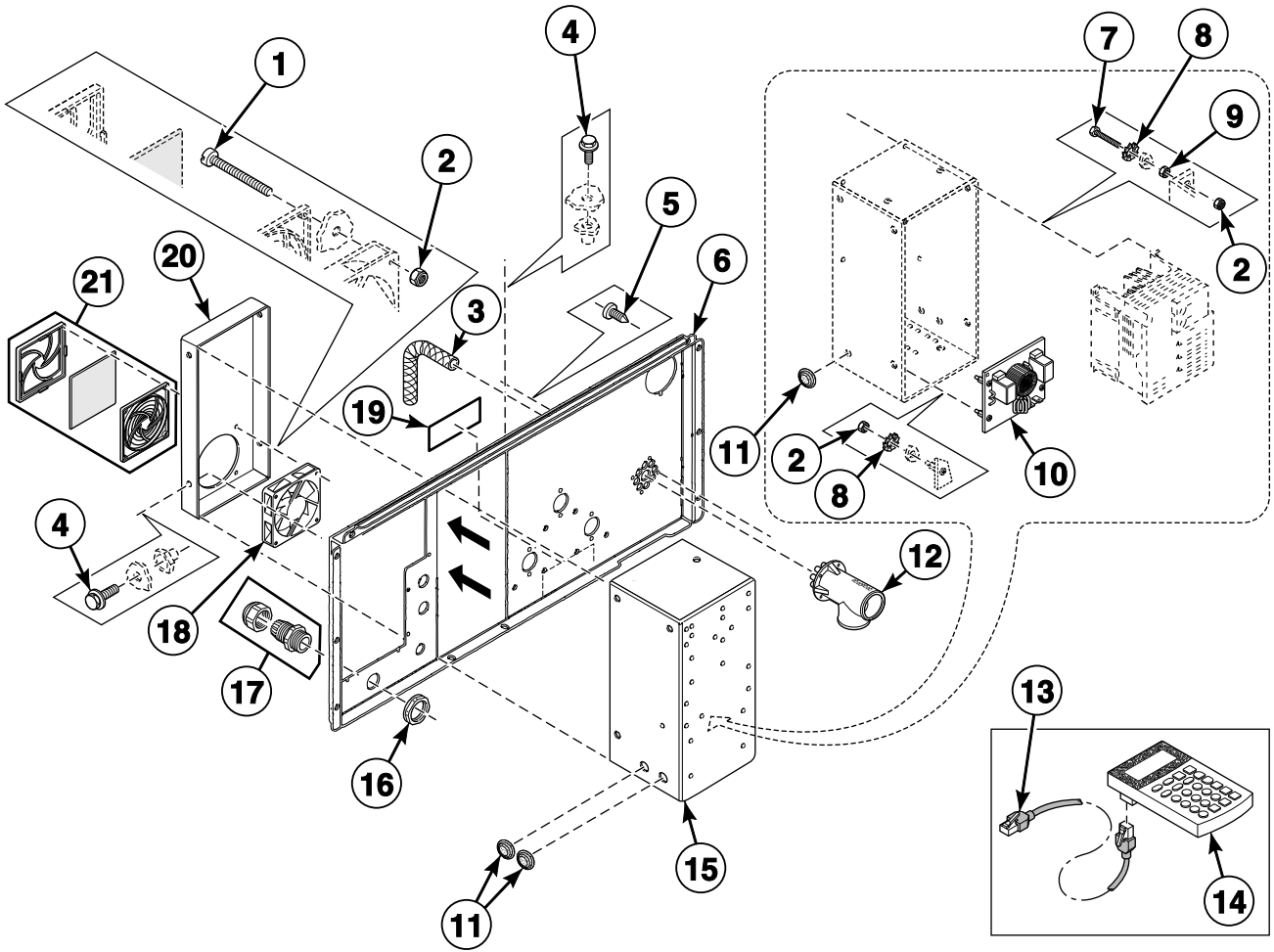


CFD332P_D0886

Water Inlet Valves

REF	PART NO.	DESCRIPTION	COMMENTS
1	204/00007/00	Nut	
2	202/00004/00	Washer	
3	203/00006/00	Washer	
4	206/00027/00	Bolt	
5	223/00102/07	Hose Vent	
6	208/00014/00	Screw	
7	201/00006/00	Washer	
8	208/00002/00	Nut	
9	111/01833/00	Backbridge	Circular ventilation
10	223/00010/00	Hose Clamp	
11	223/00044/00	Water Hose	
12	223/00226/00	Vent Tube	
13	111/01833/10	Backbridge	Rectangular ventilation
14	209/00110/00	2-Way Inlet Valve	Metric thread
	B12519501	2-Way Inlet Valve	Standard thread; G581P3 Repair Kit
15	223/00044/01	Water Hose	
16	204/00201/00	Nut	
17	201/00002/00	Washer	
18	206/00099/00	Bolt	
19	223/00001/04	Prewash and Mainwash Nozzle	
20	F200164	Water Hose	Standard thread
	F200166	Water Hose	Metric thread

Inverter Drive (Drawing 1 of 2)

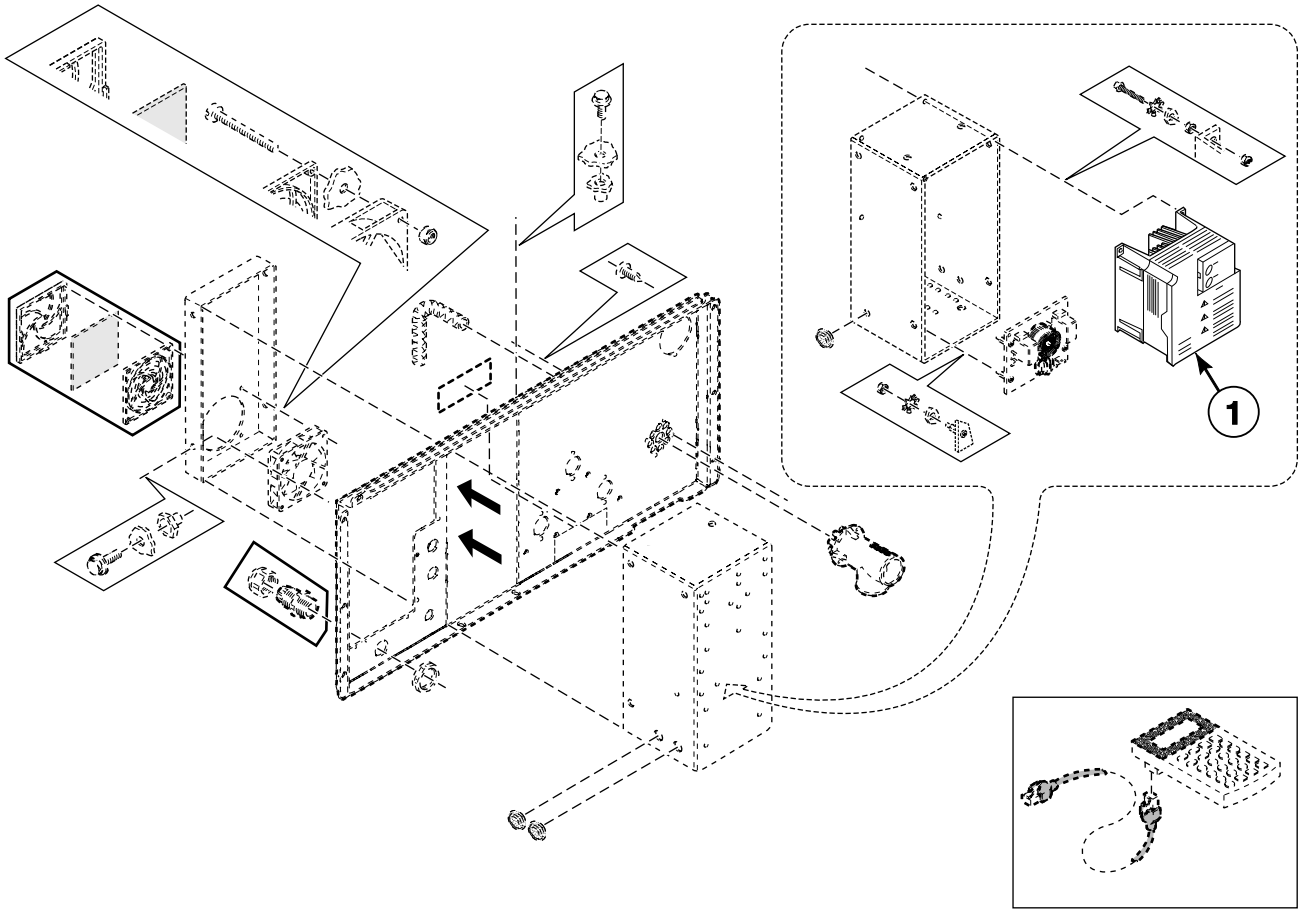


CFD458P_D0886

Inverter Drive (Drawing 1 of 2)

REF	PART NO.	DESCRIPTION	COMMENTS
1	207/00021/00	Screw	
2	204/00114/00	Nut	
3	223/00179/10	Pressure Hose	
4	206/00099/00	Bolt	
5	208/00130/00	Screw	
6	111/01833/00	Backbridge	
7	206/00088/00	Bolt	
8	203/00006/00	Washer	
9	204/00007/00	Nut	
10	B12339401	Noise Filter	
11	223/00174/00	Grommet	
12	223/00250/00	Liquid Soap Manifold	
13	227/00171/10	Parameter Unit Program Cable	
14	227/00171/00	Parameter Unit Assembly	Hand held
	F8410901	Parameter Unit Assembly	Inverter mounted; Used with FR-E520 and FR-E540 series drives
15	111/01174/00	Inverter Drive Box	
16	271/35946/00	Nut	
17	271/35945/00	Nut	
18	209/00287/00	Cooling Fan	
19	B12355001	Voltage Discharge Decal	
20	111/01174/01	Inverter Box Cover	
21	209/00287/11	AC Drive Filter	
	209/00287/21	Filter	

Inverter Drive (Drawing 2 of 2)

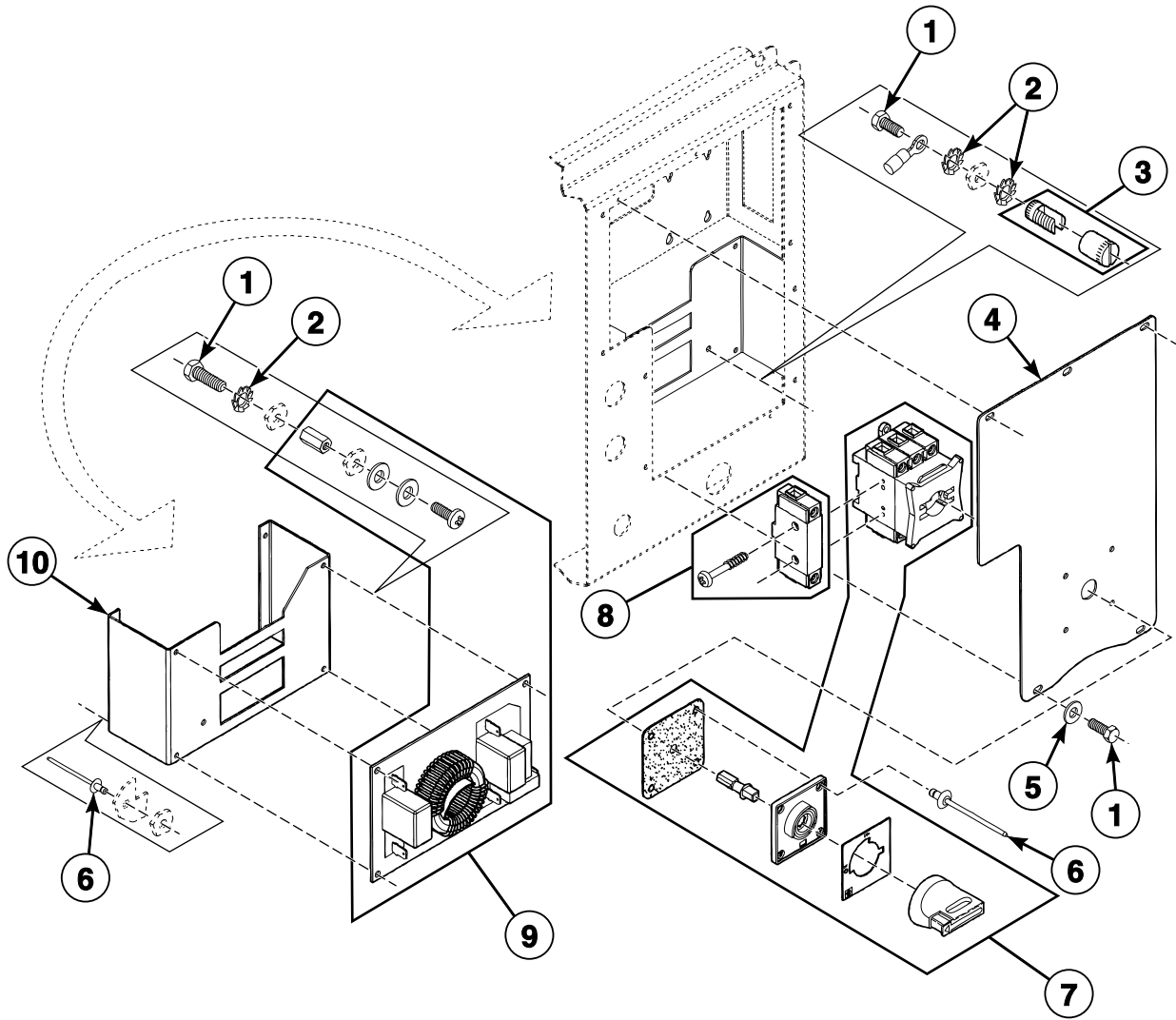


CFD458PA_D0886

Inverter Drive (Drawing 2 of 2)

REF	PART NO.	DESCRIPTION	COMMENTS
1	227/00167/00	Inverter Drive	FR-E540 series; 3x400 Volt; 2 speed models
	227/00236/00	Inverter Drive	FR-D740 series; 3x400 Volt; *150 and *185 2 speed Cygnus models
	227/00124/00	Inverter Drive	FR-E520 series; 1x230 Volt; 2 speed models
	227/00228/00	Inverter Drive	FR-D720 series; 1x230 Volt; *150 and *185 2 speed Cygnus models
	F8420315	Drive	700-series; *33 and *150 2 speed Micro-20, PS40F and Sigma models; 200 Volt/1 Phase; Models with 1.1 kW motor
	F8420316	Drive	700-series; *33 and *150 2 speed Micro-20, PS40F and Sigma models; 400 Volt/3 Phase; Models with 1.1 kW motor
	F8420319	Drive	700-series; *40 and *185 2 speed Micro-20, PS40F and Sigma models; 200 Volt/1 Phase; Models with 1.1 kW motor
	F8420320	Drive	700-series; *40 and *185 2 speed Micro-20, PS40F and Sigma models; 400 Volt/3 Phase; Models with 1.1 kW motor
	227/00168/00	Inverter Drive	FR-E540 series; 3x400 Volt; M-speed models
	227/00237/00	Inverter Drive	FR-D740 series; 3x400 Volt; *150 and *185 M-speed Cygnus models
	227/00229/00	Inverter Drive	FR-E520 series; 1x230 Volt; M-speed models
	227/00229/00	Inverter Drive	FR-D720 series; 1x230 Volt; *150 and *185 M-speed Cygnus models
	F8420509	Drive	700-series; *33 and *150 M-speed Micro-20, PS40F and Sigma models; 200 Volt/1 Phase; Models with 1.5 kW motor
	F8420510	Drive	700-series; *33 and *150 M-speed Micro-20, PS40F and Sigma models; 400 Volt/3 Phase; Models with 1.5 kW motor
	F8420513	Drive	700-series; *40 and *185 M-speed Micro-20, PS40F and Sigma models; 200 Volt/1 Phase; Models with 1.5 kW motor
	F8420514	Drive	700-series; *40 and *185 M-speed Micro-20, PS40F and Sigma models; 400 Volt/3 Phase; Models with 1.5 kW motor
	F8420215	Inverter Kit	700-series; *33 and *150 2 speed Micro-20, PS40F and Sigma models; 200 Volt/1 Phase; Models with 1.1 kW motor; Includes F8420315 Drive, F8409501 Mounting Plate Assembly and F430903 Screw
	F8420216	Inverter Kit	700-series; *33 and *150 2 speed Micro-20, PS40F and Sigma models; 400 Volt/3 Phase; Models with 1.1 kW motor; Includes F8420316 Drive, F8409501 Mounting Plate Assembly and F430903 Screw
	F8420219	Inverter Kit	700-series; *40 and *185 2 speed Micro-20, PS40F and Sigma models; 200 Volt/1 Phase; Models with 1.1 kW motor; Includes F8420319 Drive, F8409501 Mounting Plate Assembly and F430903 Screw
	F8420220	Inverter Kit	700-series; *40 and *185 2 speed Micro-20, PS40F and Sigma models; 400 Volt/3 Phase; Models with 1.1 kW motor; Includes F8420320 Drive, F8409501 Mounting Plate Assembly and F430903 Screw
	F8420409	Inverter Kit	700-series; *33 and *150 M-speed Micro-20, PS40F and Sigma models; 200 Volt/1 Phase; Models with 1.5 kW motor; Includes F8420509 Drive, F8409501 Mounting Plate Assembly and F430903 Screw
	F8420410	Inverter Kit	700-series; *33 and *150 M-speed Micro-20, PS40F and Sigma models; 400 Volt/3 Phase; Models with 1.5 kW motor; Includes F8420510 Drive, F8409501 Mounting Plate Assembly and F430903 Screw
	F8420413	Inverter Kit	700-series; *40 and *185 M-speed Micro-20, PS40F and Sigma models; 200 Volt/1 Phase; Models with 1.5 kW motor; Includes F8420513 Drive, F8409501 Mounting Plate Assembly and F430903 Screw
	F8420414	Inverter Kit	700-series; *40 and *185 M-speed Micro-20, PS40F and Sigma models; 400 Volt/3 Phase; Models with 1.5 kW motor; Includes F8420514 Drive, F8409501 Mounting Plate Assembly and F430903 Screw

Main Switch and Noise Filter

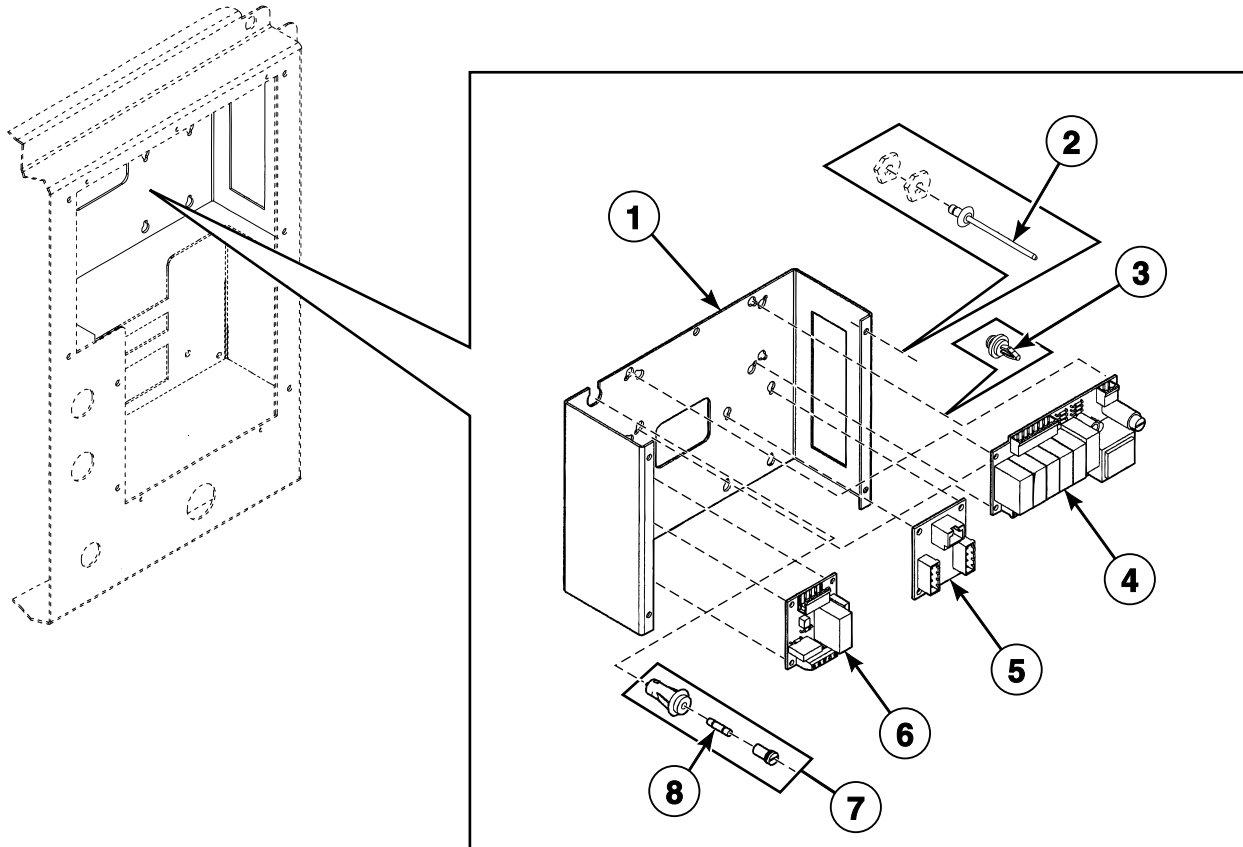


BE000799P_D0886

Main Switch and Noise Filter

REF	PART NO.	DESCRIPTION	COMMENTS
1	206/00027/00	Bolt	
2	203/00006/00	Washer	
3	209/00006/01	Ground Terminal	
4	111/01834/00	Main Switch Cover	
5	202/00004/00	Washer	
6	208/00017/00	Rivet	
7	209/00529/00	Main Switch	3 pole; 25A; VCF0
	209/00672/00	Main Switch	3 pole; 40A; VCF2
	209/00526/00	Main Switch	3 pole; 80A; VCF4
8	209/00530/00	Terminal Block	25A; VZ-11
	209/00527/00	Terminal Block	63/80A; VZ-12
9	227/00177/00	Filter	B0301044/16A1
	227/00242/00	Noise Filter	B0211098/16A3
	227/00179/00	Filter	B0211067/40A3
	227/00180/00	Filter	B0308117/45A1
	227/00183/00	Filter	B0401067/53A3
10	111/01837/01	Filter Bracket	

Central Operating Panel, Network Connection and Soap Injection Printboards

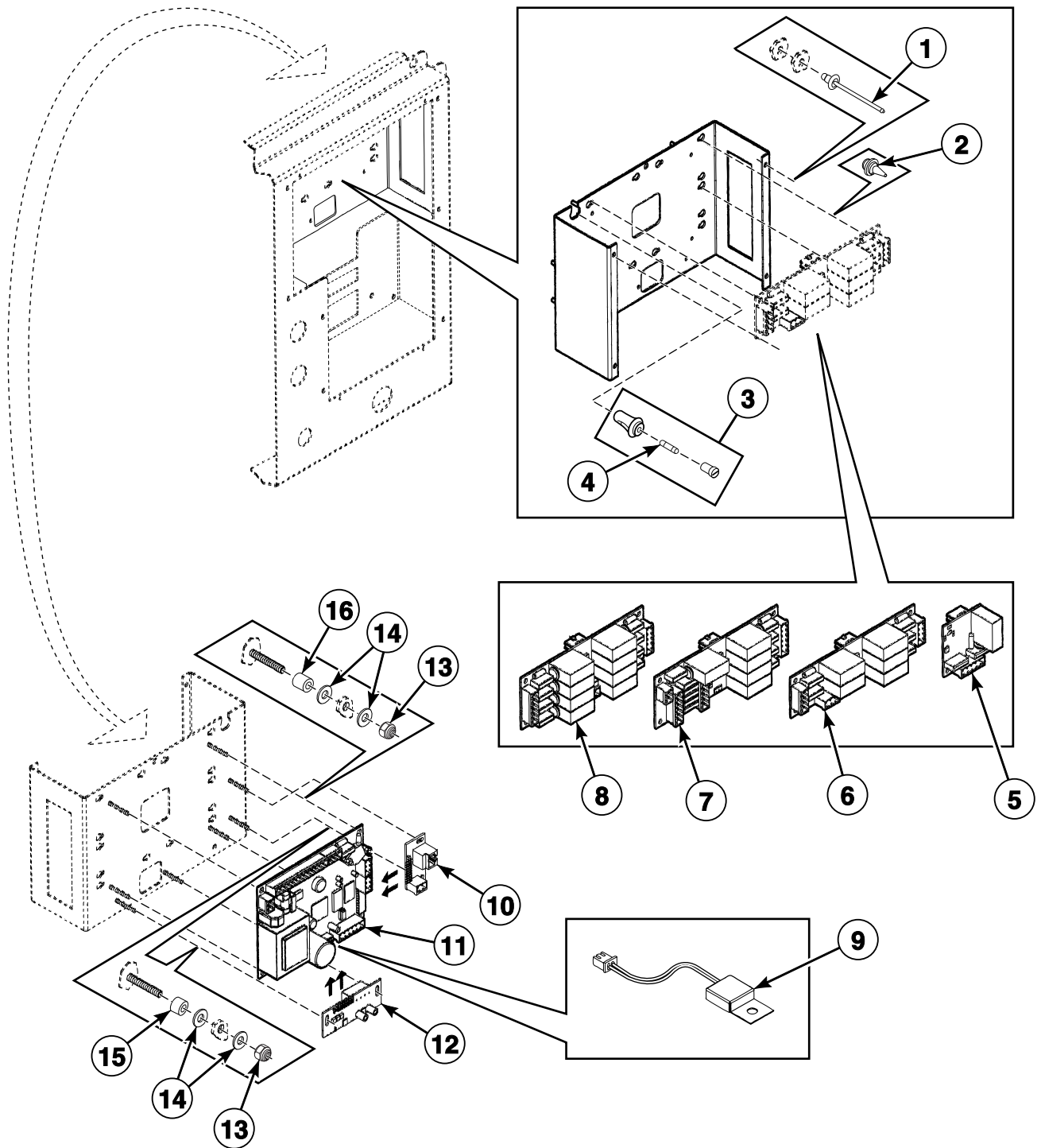


BE000800P_D0886

Central Operating Panel, Network Connection and Soap Injection Printboards

REF	PART NO.	DESCRIPTION	COMMENTS
1	111/01838/10	Printboard Support	
2	208/00017/00	Rivet	
3	211/00146/00	Standoff	
4	209/00218/13	Soap Injection PCB with Fuse	
5	209/00540/01	Network Connection Printboard	
6	209/00438/50	Central Control Board	
7	209/00202/00	Fuse Holder	
	209/00202/01	Fuse Holder	Includes item 8
8	209/00468/00	Fuse	3 Amp

Relay, Network Connection and Main Printboards - Cygnus Models

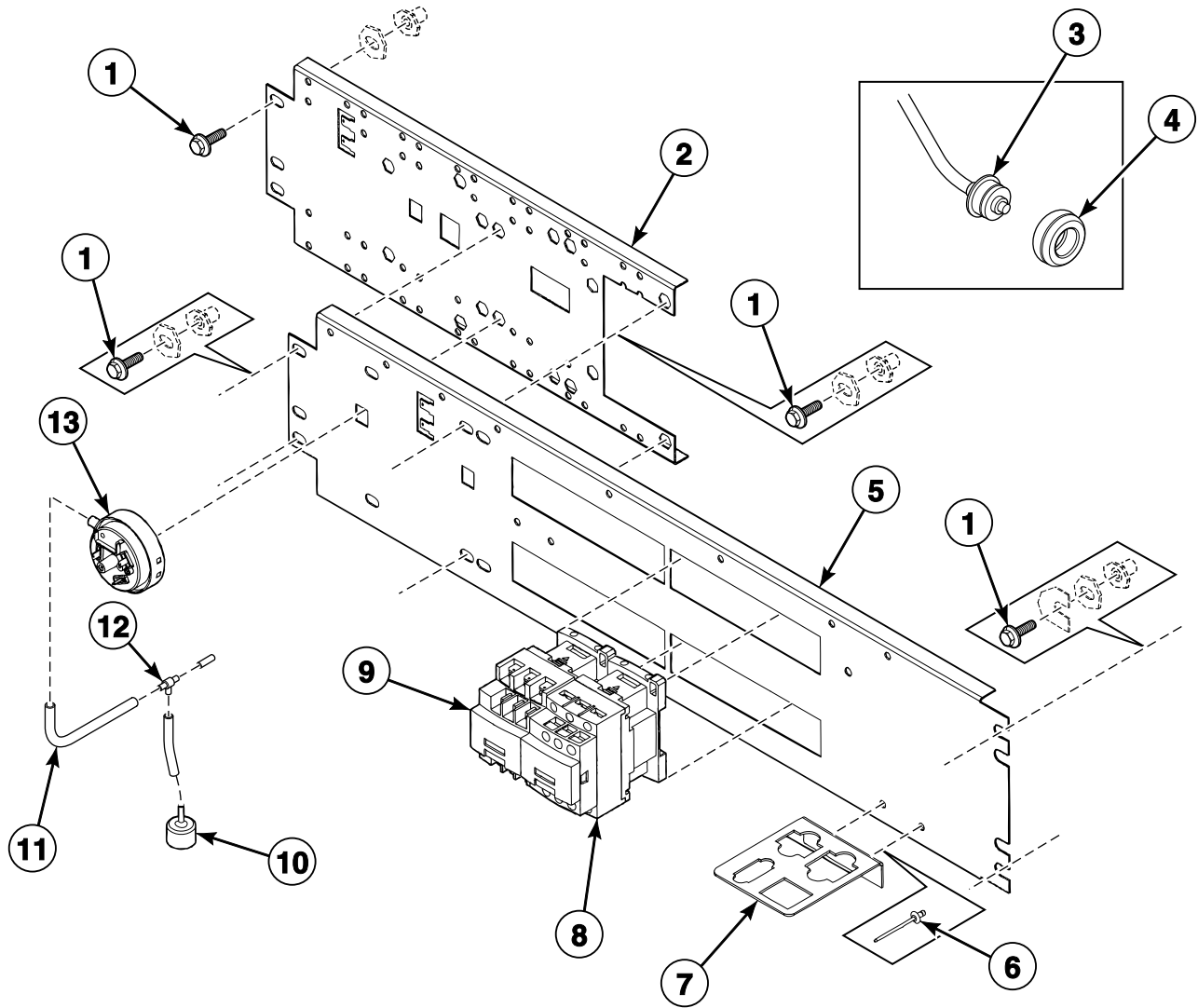


BE000801AP_D0886

Relay, Network Connection and Main Printboards - Cygnus Models

REF	PART NO.	DESCRIPTION	COMMENTS
1	208/00017/00	Rivet	
2	211/00146/00	Standoff	
3	209/00202/00	Fuse Holder	
	209/00202/01	Fuse Holder	Includes item 4
4	209/00468/00	Fuse	3 Amp
5	209/02016/00	Relay PC-Board	1 in, 1 out
6	209/02005/00	Detergent PC-Board	1 in, 5 out
7	209/02014/00	Relay PC-Board	5 in, 5 out
8	209/02008/00	Detergent PC-Board	1 in, 8 out
9	209/02020/00	ID Chip	
10	209/02006/00	Inverter PC-Board	
11	209/02025/00	Microprocessor	
12	209/02007/00	Network Connection Printboard	
13	204/00116/00	Nut	
14	223/00123/00	Washer	
15	211/00128/00	Printboard Separator	
16	211/00122/00	Standoff	

Electrical Component Mounting Plate - Models Through 2/20/09

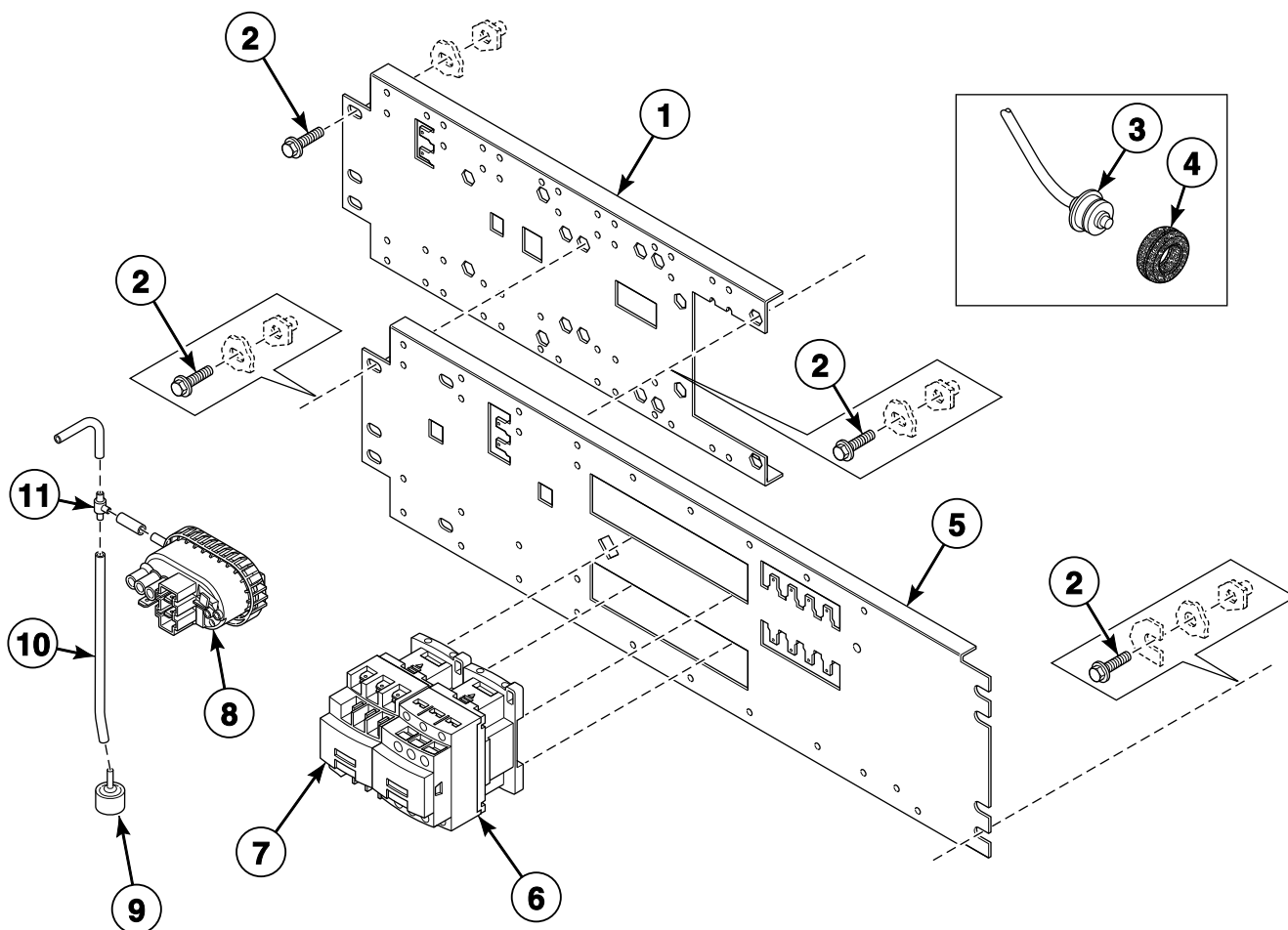


CFD535P_D0886

Electrical Component Mounting Plate - Models Through 2/20/09

REF	PART NO.	DESCRIPTION	COMMENTS
1	206/00099/00	Bolt	
2	111/10003/40	Electrical Component Mounting Plate	
3	210/01064/16	Thermostat	
4	225/10004/00	Thermostat Seal	
5	111/10003/30	Electrical Component Mounting Plate	
6	208/00017/00	Rivet	
7	111/10003/10	Support Connector	
8	209/06148/02	Heating Contactor	
9	209/00641/04	Heating Contactor	
10	223/00035/02	Pressure Switch Cap	
11	223/00333/00	Pressure Hose	
12	223/00173/10	Pressure Switch Hose Tee	
13	209/00027/10	Pressure Switch	

Electrical Component Mounting Plate - Models Starting 2/23/09

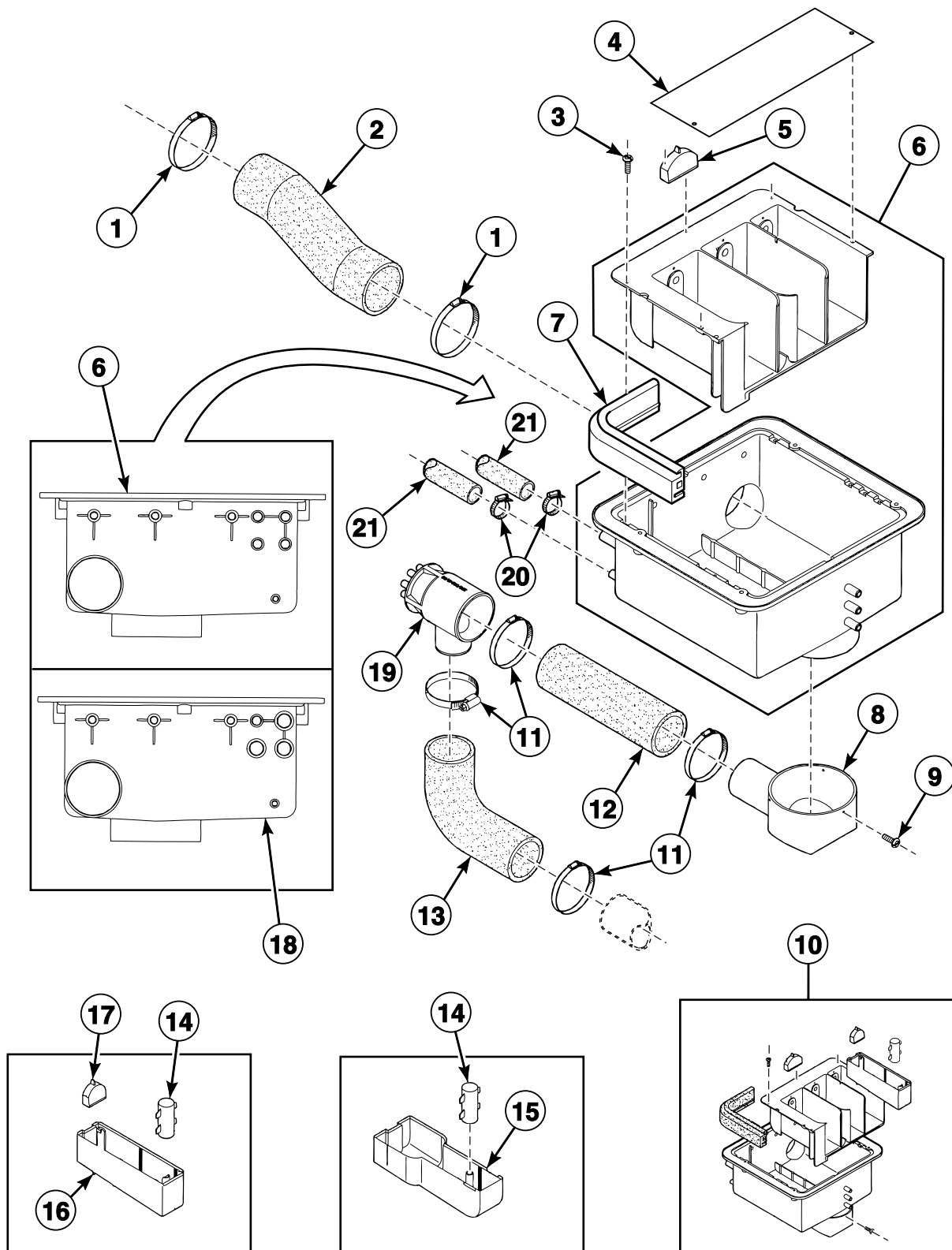


BE000802AP_D0886

Electrical Component Mounting Plate - Models Starting 2/23/09

REF	PART NO.	DESCRIPTION	COMMENTS
1	111/10003/40	Electrical Component Mounting Plate	
2	206/00099/00	Bolt	
3	210/01064/16	Thermostat	
4	225/10004/00	Thermostat Seal	
5	111/10003/50	Electrical Component Bridge	
6	209/06148/02	Heating Contactor	LC1D18P7
7	209/00641/04	Heating Contactor	LC1D0901M7
8	209/00027/10	Pressure Switch	
9	223/00035/02	Pressure Switch Cap	
10	223/00333/00	Pressure Hose	
11	223/00173/10	Pressure Switch Hose Tee	

Supply Dispenser - Models with Round Ventilation Opening

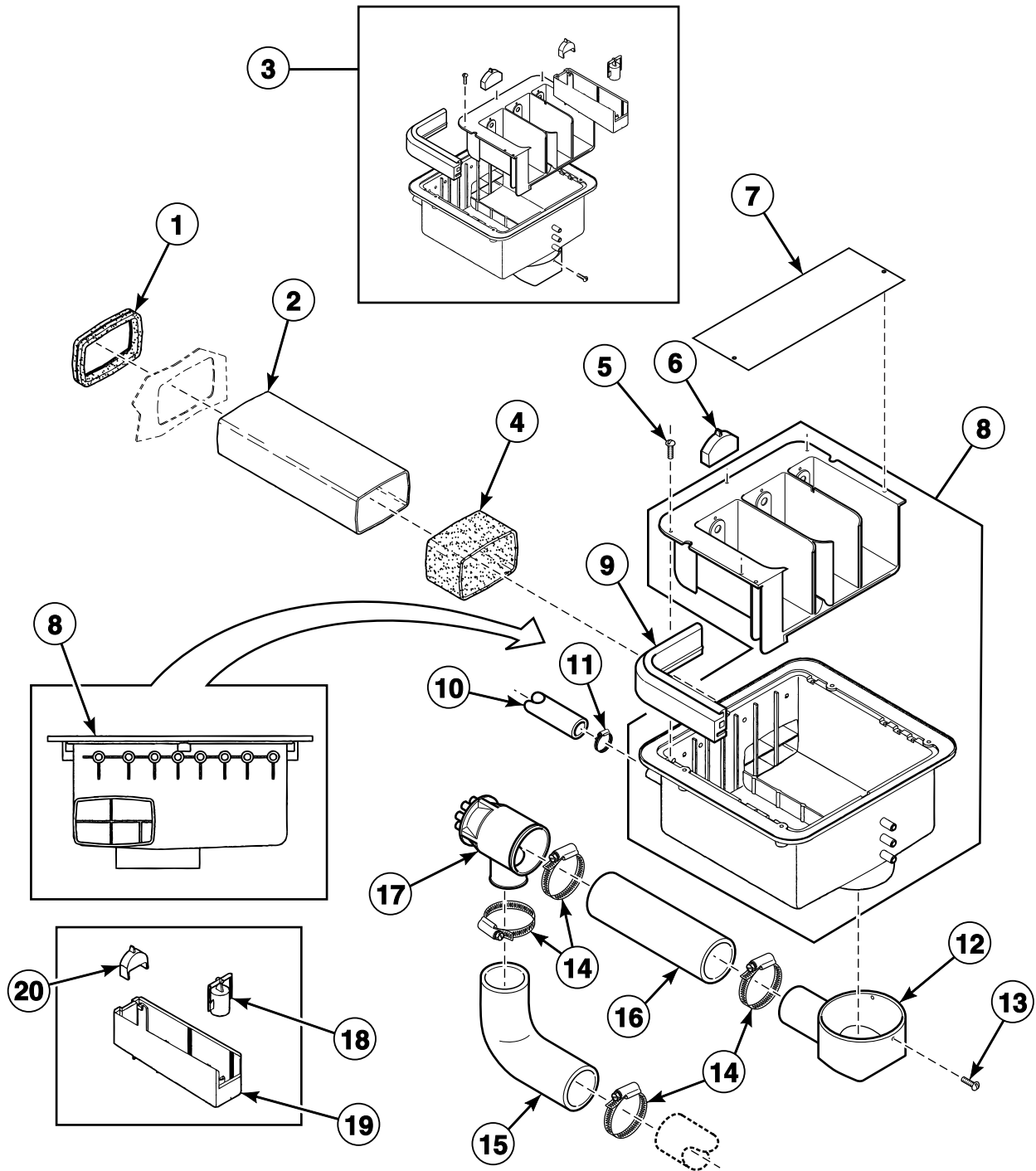


CFD343P_D0886

Supply Dispenser - Models with Round Ventilation Opening

REF	PART NO.	DESCRIPTION	COMMENTS
1	223/00014/00	Hose Clamp	
2	223/00107/00	Soap Dispenser Air Breather Hose	
	223/00107/01	Ventilating Hose	
	223/00107/03	Vent Hose	
	223/00197/00	Vent Hose	
	223/00107/02	Vent Hose	
3	B12347501	Screw	
4	123/00107/00	Anti-Splash Plate	Sigma control models
	123/00103/06	Soap Box Assembly Plate	All other models
5	223/00102/06	Soap Spray Nozzle	
6	223/00102/30	Soap Dispenser Assembly	
7	223/00109/00	Soap Dispenser Gasket	
8	223/00195/00	Dispenser Drain Funnel	
9	B12350903	Screw	
10	223/00102/50	Soap Dispenser Assembly	
11	223/00013/00	Hose Clamp	
12	223/00260/00	Siphon Break Dispenser Hose	
	223/00261/00	Soap Dispenser Hose	
	223/00262/00	Siphon Break Dispenser Hose	
13	B12310304	Siphon Break Hose	
14	223/00102/04	Soap Dispenser Rinse Siphon	
15	223/00102/08	Liquid Soap Dispenser Insert	
16	223/00102/03	Rinse Insert	
17	223/00102/05	Softener Spray Nozzle	
18	223/00102/40	Exterior Box	
19	223/00250/00	Liquid Soap Manifold	
20	223/00010/00	Hose Clamp	
21	223/00044/01	Water Hose	

Supply Dispenser - Models with Rectangular Ventilation Opening

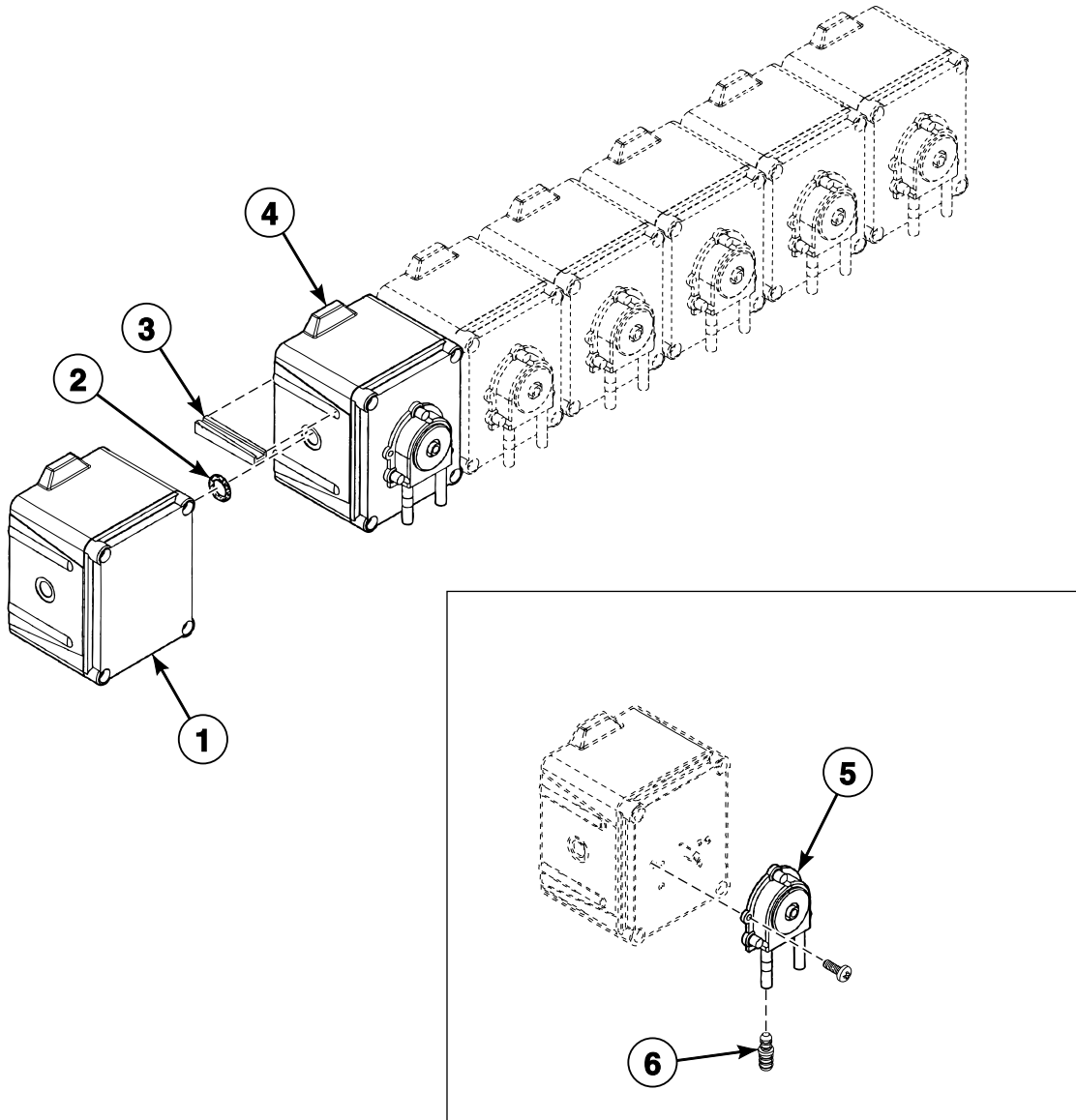


CFD344P_D0886

Supply Dispenser - Models with Rectangular Ventilation Opening

REF	PART NO.	DESCRIPTION	COMMENTS
1	223/00226/00	Vent Tube	
2	223/00229/00	Vent Tube	
3	223/00222/00	Soap Dispenser	
4	223/00245/00	Shrink Fit	
5	B12347501	Screw	
6	223/00102/06	Soap Spray Nozzle	
7	123/00107/00	Anti-Splash Plate	Sigma control models
	123/00103/06	Soap Box Assembly Plate	All other models
8	223/00222/60	Outer and Inner Box Kit	
9	223/00109/00	Soap Dispenser Gasket	
10	223/00044/00	Water Hose	
11	223/00010/00	Hose Clamp	
12	223/00195/00	Dispenser Drain Funnel	
13	B12350903	Screw	
14	223/00013/00	Hose Clamp	
15	B12310304	Siphon Break Hose	
16	223/00260/00	Siphon Break Dispenser Hose	
	223/00261/00	Soap Dispenser Hose	
	223/00262/00	Siphon Break Dispenser Hose	
17	223/00250/00	Liquid Soap Manifold	
18	223/00222/04	Siphon Break	
19	223/00222/05	Rinsing Box	
20	223/00222/03	Softener Spray Nozzle	

Soap Pumps

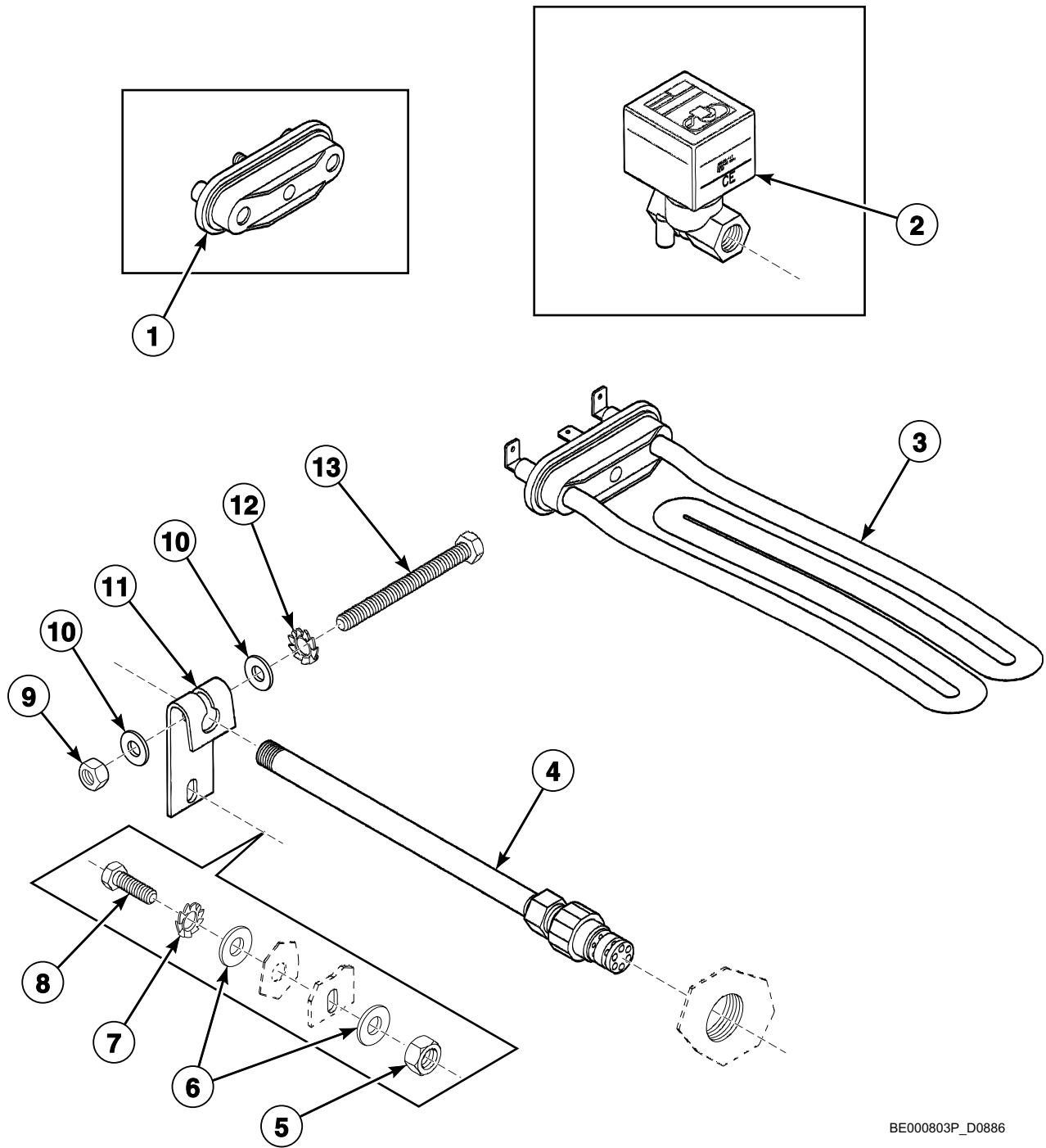


BE000527AP_D0886

Soap Pumps

REF	PART NO.	DESCRIPTION	COMMENTS
1	209/00554/01	Soap Pump Assembly	1 small pump
	209/00554/02	Soap Pump Assembly	2 small pumps
	209/00554/03	Soap Pump Assembly	3 small pumps
	209/00554/04	Soap Pump Assembly	4 small pumps
	209/00554/05	Soap Pump Assembly	5 small pumps
	209/00554/06	Soap Pump Assembly	6 small pumps
	209/00554/51	Feeding Liquid Soap Dosing Pump	
2	209/00554/52	Liquid Soap Dosing Pump O-Ring	
3	209/00554/53	Liquid Soap Dosing Pump Connection Piece	
4	209/00554/50	Pump	
5	209/00554/98	Hose	
6	209/00554/99	Hose Connector	

Steam and Electric Heating Options



BE000803P_D0886

Steam and Electric Heating Options

REF	PART NO.	DESCRIPTION	COMMENTS
	921P3	Steam Heat Kit	Includes 118/00084/00 Steam Injector, 209/00027/10B Water Level Switch, 901/00217/00 Contactor and Wiring Assembly, 900/00108/00 Safety Level Switch, 9001386 Steam Valve, 113/00025/00 Steam Injector Plate Assembly, 206/00035/00 Bolt, 9001295 Bolt, 9001250 Nut, 9001249 Nut, 9001241 Washer, 90012140 Washer, 9001227 Washer and 9001214 Washer
1	209/00196/00	Heating Element Plug	
2	209/00477/00	Steam Valve	
3	209/00581/10	Heating Element	4000W; 380 Volt
	209/00562/20	Heating Element	3000W; 220/240 Volt
	209/00563/20	Heating Element	2000W; 220/240 Volt
	209/00564/20	Heating Element	1400W; 220/240 Volt
4	118/00084/00	Steam Injector	
	118/00085/00	Steam Injector	
5	204/00005/00	Nut	
6	201/00007/00	Washer	
7	203/00004/00	Washer	
8	206/00013/00	Bolt	
9	204/00004/00	Nut	
10	202/00002/00	Washer	
11	113/00025/00	Steam Injector Plate Assembly	
12	203/00003/00	Washer	
13	206/00035/00	Bolt	