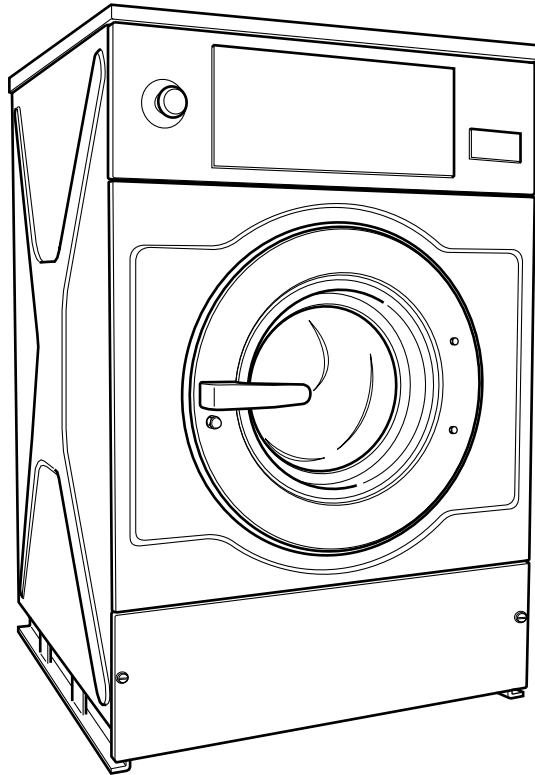


Washer-Extractor

Pocket Hardmount

Refer to Page 5 for Model Numbers



CHM2097N_D0884

Model Identification

Information in this manual is applicable to these washer-extractor models:

CWF035ANM	IWF135MYM	WFF135_CYGNUS-COMM_COIN
CWF035AN2	IWF135MY2	WFF135_CYGNUS-COMM_OPL
CWF035MNM	IWF135SCM	WFF135_CYGNUS-PREM_COIN
CWF035MN2	IWF135SC2	WFF135_CYGNUS-PREM_OPL
IWF030ANM	IWF135SDM	WFF135_CYGNUS-PRO
IWF030AN2	IWF135SD2	WFF135_CYGNUS-STANDARD_COIN
IWF030MCM	IWF135SEM	WFF135_CYGNUS-STANDARD_OPL
IWF030MC2	IWF135SE2	WFF135_MICRO-20_COIN
IWF030MDM	IWF135SLM	WFF135_MICRO-20_OPL
IWF030MD2	IWF135SL2	WFF135_PS40F
IWF030MEM	IWF135SRM	WFF135_SIGMA_COIN
IWF030ME2	IWF135SR2	WFF135_SIGMA_OPL
IWF030MLM	IWF135SXM	WFF165_CYGNUS-COMM_COIN
IWF030ML2	IWF135SX2	WFF165_CYGNUS-COMM_OPL
IWF030MNM	IWF135SYM	WFF165_CYGNUS-PREM_COIN
IWF030MN2	IWF135SY2	WFF165_CYGNUS-PREM_OPL
IWF030MXM	IWF135ZNM	WFF165_CYGNUS-PRO
IWF030MX2	IWF135ZN2	WFF165_CYGNUS-STANDARD_COIN
IWF030MYM	IWF165ANM	WFF165_CYGNUS-STANDARD_OPL
IWF030MY2	IWF165AN2	WFF165_MICRO-20_COIN
IWF030SCM	IWF165MCM	WFF165_MICRO-20_OPL
IWF030SC2	IWF165MC2	WFF165_PS40F
IWF030SDM	IWF165MDM	WFF165_SIGMA_COIN
IWF030SD2	IWF165MD2	WFF165_SIGMA_OPL
IWF030SEM	IWF165MEM	WF135_CYGNUS-COMM_COIN
IWF030SE2	IWF165ME2	WF135_CYGNUS-COMM_OPL
IWF030SLM	IWF165MLM	WF135_CYGNUS-PREM_COIN
IWF030SL2	IWF165ML2	WF135_CYGNUS-PREM_OPL
IWF030SRM	IWF165MNM	WF135_CYGNUS-PRO
IWF030SR2	IWF165MN2	WF135_CYGNUS-STANDARD_COIN
IWF030SXM	IWF165MXM	WF135_CYGNUS-STANDARD_OPL
IWF030SX2	IWF165MX2	WF135_MICRO-20_COIN
IWF030SYM	IWF165MYM	WF135_MICRO-20_OPL
IWF030SY2	IWF165MY2	WF135_PS40F
IWF035MXM	IWF165SCM	WF135_SIGMA_COIN
IWF135ANM	IWF165SC2	WF135_SIGMA_OPL
IWF135AN2	IWF165SDM	WF165_CYGNUS-COMM_COIN
IWF135MCM	IWF165SD2	WF165_CYGNUS-COMM_OPL
IWF135MC2	IWF165SEM	WF165_CYGNUS-PREM_COIN
IWF135MDM	IWF165SE2	WF165_CYGNUS-PREM_OPL
IWF135MD2	IWF165SLM	WF165_CYGNUS-PRO
IWF135MEM	IWF165SL2	WF165_CYGNUS-STANDARD_COIN
IWF135ME2	IWF165SRM	WF165_CYGNUS-STANDARD_OPL
IWF135MLM	IWF165SR2	WF165_MICRO-20_COIN
IWF135ML2	IWF165SXM	WF165_MICRO-20_OPL
IWF135MNM	IWF165SX2	WF165_PS40F
IWF135MN2	IWF165SYM	WF165_SIGMA_COIN
IWF135MXM	IWF165SY2	WF165_SIGMA_OPL
IWF135MX2	IWF165ZNM	
	IWF165ZN2	


Pocket Hardmount Washer-Extractor Product Overview

Type:	WFF75C	Nr: 07110WD0339
Voltage:	3 ~ 400V 50Hz	Weight: 181 kg
Motor:	0.55kW 2.5A	Capacity: 73 L
Heating:	9kW 16A	Dry Load: 7,3 kg
Total:	9.55 kW	Drum: 530 mm
Kinetic energy:	592 Nm	Speed: 700 rpm
Manufactured in:	2007	

Water Pressure: min. 2.07 max. 5.86 Kg/cm² IPX4
min. 20.7 max. 58.6 N/cm²


sfc 741837

Alliance International BVBA
Nieuwstraat 146
8560 Wevelgem
Belgium
Tel: +32 56 41 20 54
Fax: +32 56 41 86 74
www.ipso.be




Model No:	IWF018MNMX10U01	Serial No: 07110WD0152
Volts Hertz:	208-240 50/60	Type: WFF75
Phase:	1 - 3	
Amps:	6 amps	Capacity: 18/7 lbs/kg
Recommended		Water 30-85 psi
Circuit Breaker:	15 amps	Pressure: 2.07-5.86 bar
Interrupt Current:	10 kA	Max Speed: 700 rpm
Motor:	1 hp	Net Weight: 400 lbs
	0,75 kW	181 kg
Elec Heat:	N/A kW	IPX4
Steam heat:	N/A psi	
	N/A bar	

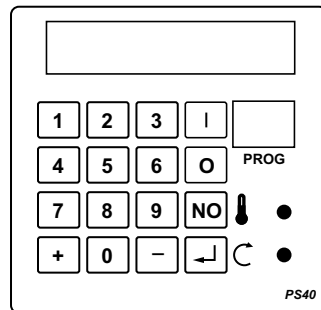
Alliance International BVBA
Made in Belgium



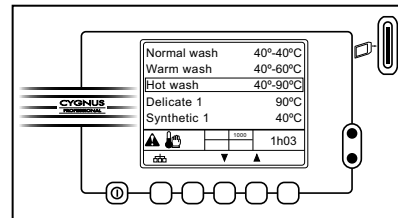
TEL 1-920-748-3121
www.comlaundry.com



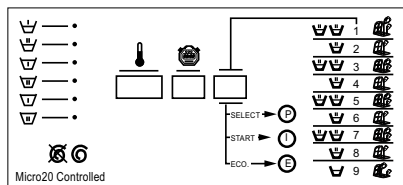
100740
CONFORMS TO ANSI/UL
STD 2157
CERTIFIED TO CAN/CSA
STD C22.2 NO.169-94



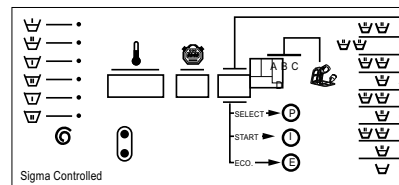
PS40



Cygnus Professional



Micro 20



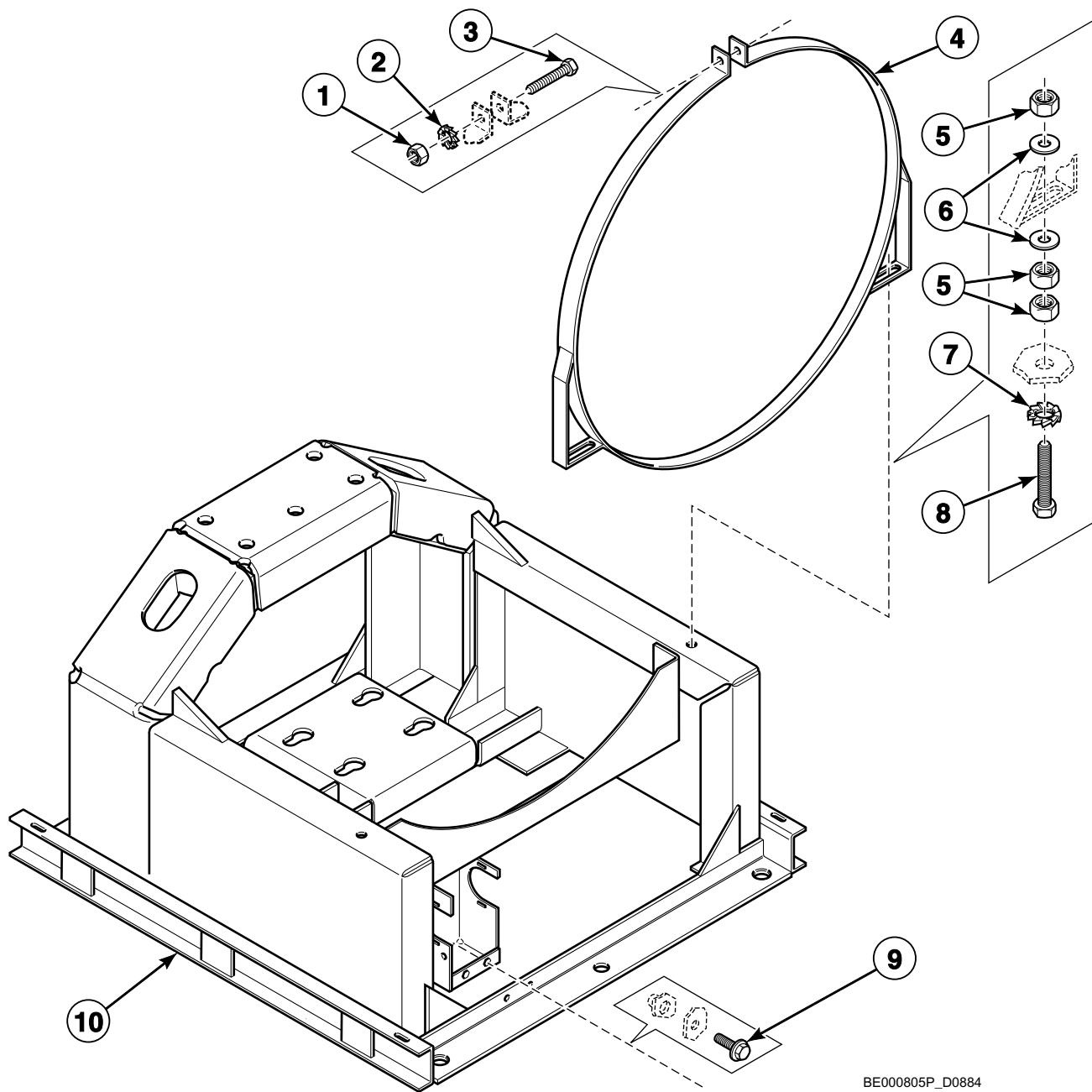
Sigma

CHM3066P_D0884

Pocket Hardmount Washer-Extractor Product Overview

REF	PART NO.	DESCRIPTION	COMMENTS
1	-	Product Family	CWF IWF WFF
2	-	Capacity	030 035 135 165
3	-	Control	A (PS40F) Cygnus-Comm Cygnus-Prem Cygnus-Standard M (Micro-20) S (Sigma) Z (Cygnus-Pro)
4	-	Actuation	C (Coin Drop Meter) D (Dual Coin Drop) E (Electronic Drop) L (Prep for Remote or Central Pay) N (Non-Coin) R (Smart Card Ready) X (Prep for Coin) Y (Card Ready)
5	-	Speed	M (Medium Spin)
6	-	Voltage	N (440-480/50-60/3/3) P (380-415/50-60/3/3) Q (208-240/50-60/3/3) X (200-240/50-60/1/3)
7	-	Design	1

Frame

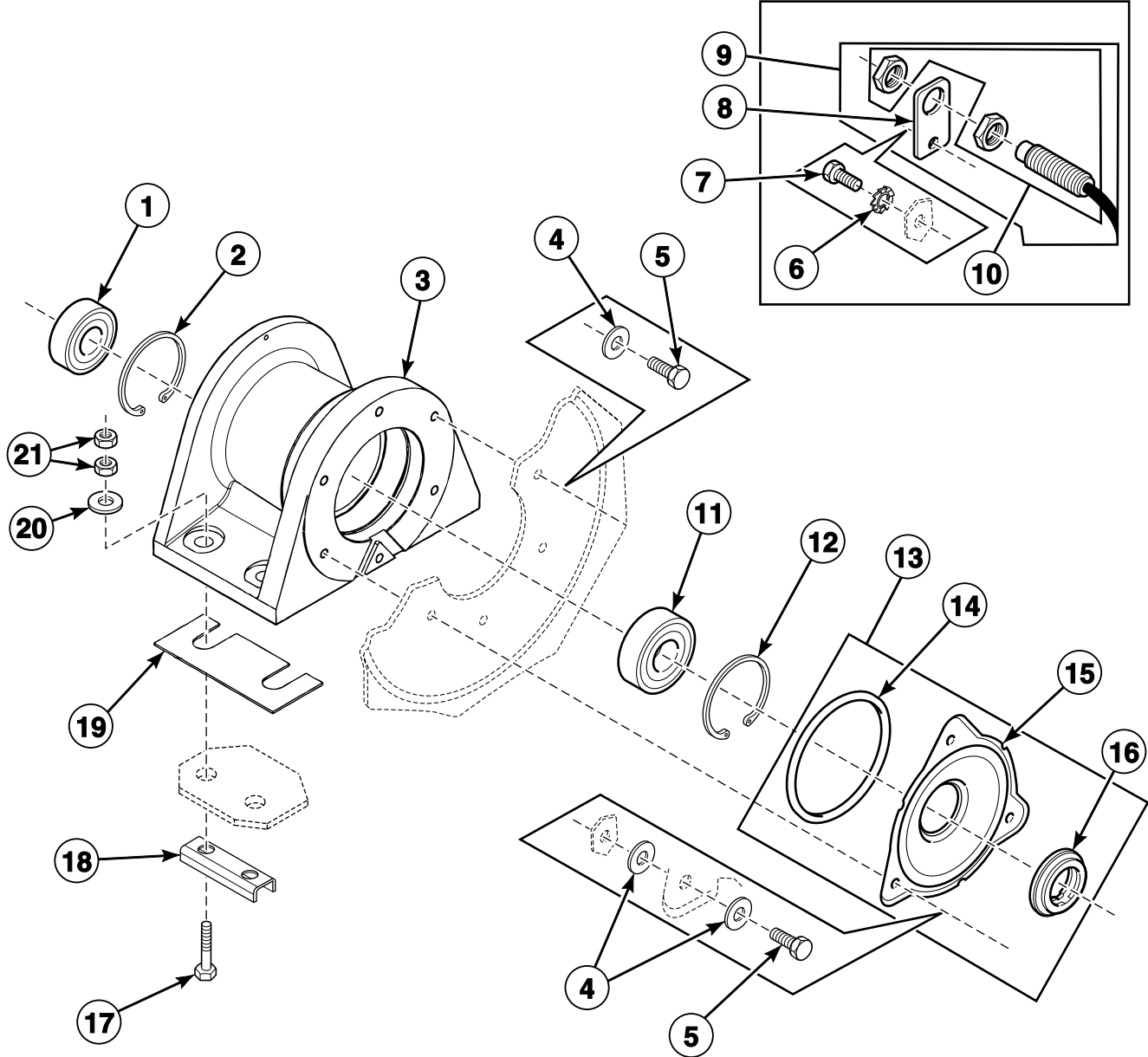


BE000805P_D0884

Frame

REF	PART NO.	DESCRIPTION	COMMENTS
1	204/00004/00	Nut	
2	203/00003/00	Washer	
3	206/00007/00	Screw	
4	212/00114/00	Tub Fastening Ring	
5	204/00002/00	Nut	
6	201/00005/00	Washer	
7	203/00001/00	Washer	
8	206/00079/00	Bolt	
9	206/00099/00	Bolt	
10	212/00107/50	Chassis	*030 and *135 models
	212/00108/50	Chassis	*035 and *165 models

Bearing Housing - Models Through 1/30/11

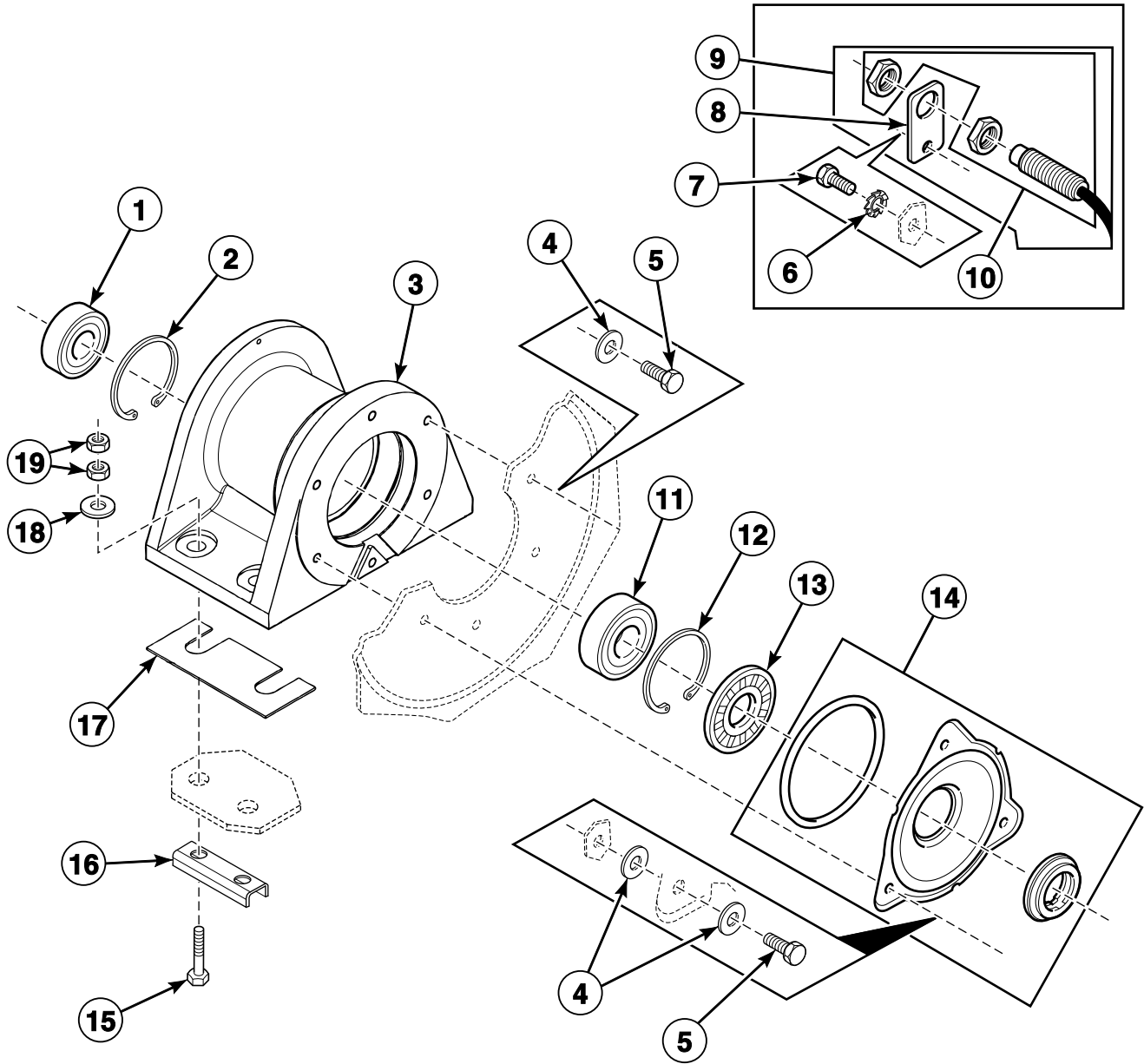


BE000806AP_D0884

Bearing Housing - Models Through 1/30/11

REF	PART NO.	DESCRIPTION	COMMENTS
	381P3	Bearing Replacement Tool Kit	
	388P4	Bearing Replacement Kit	Includes items 1, 4, 5, 11, 13, 219/00004/00 Counter Ring, 223/00242/20 Tub Gasket and F8382001P Deflector Inlet
1	212/00024/00	Ball Bearing	
2	212/00037/00	Retainer Ring	
3	212/00101/00	Bearing Housing Assembly	Includes bearings
	212/00101/01	Bearing Housing Assembly	
4	201/00201/00	Washer	
5	205/00102/00	Bolt	
6	203/00004/00	Washer	
7	205/00104/00	Bolt	
8	152/00055/00	Speed Detector Bracket	
9	210/00074/00	Speed Detector	Includes items 8 and 10
10	209/00400/00	Speed Detector	
11	212/00004/00	Ball Bearing	
12	212/00006/00	Retainer Ring	
13	119/00001/01	Seal Holder Assembly	Includes items 14-16; Used with 111/01809/00 Cylinder and Shaft Assembly and 111/01810/00 Drum and Axle Assembly
14	217/00002/00	O-Ring	Used with 111/01809/00 Cylinder and Shaft Assembly and 111/01810/00 Drum and Axle Assembly
15	219/00001/00	Seal Cover	Used with 111/01809/00 Cylinder and Shaft Assembly and 111/01810/00 Drum and Axle Assembly
16	219/00003/00	Shaft Seal	Used with 111/01809/00 Cylinder and Shaft Assembly and 111/01810/00 Drum and Axle Assembly
17	206/00093/00	Bolt	
18	113/00066/00	U-Piece Assembly	
19	113/00019/01	Bearing Housing Plate	1 mm
	113/00019/02	Bearing Housing Plate	2 mm
20	201/00001/00	Washer	
21	204/00010/00	Nut	

Bearing Housing - Models Starting 1/31/11

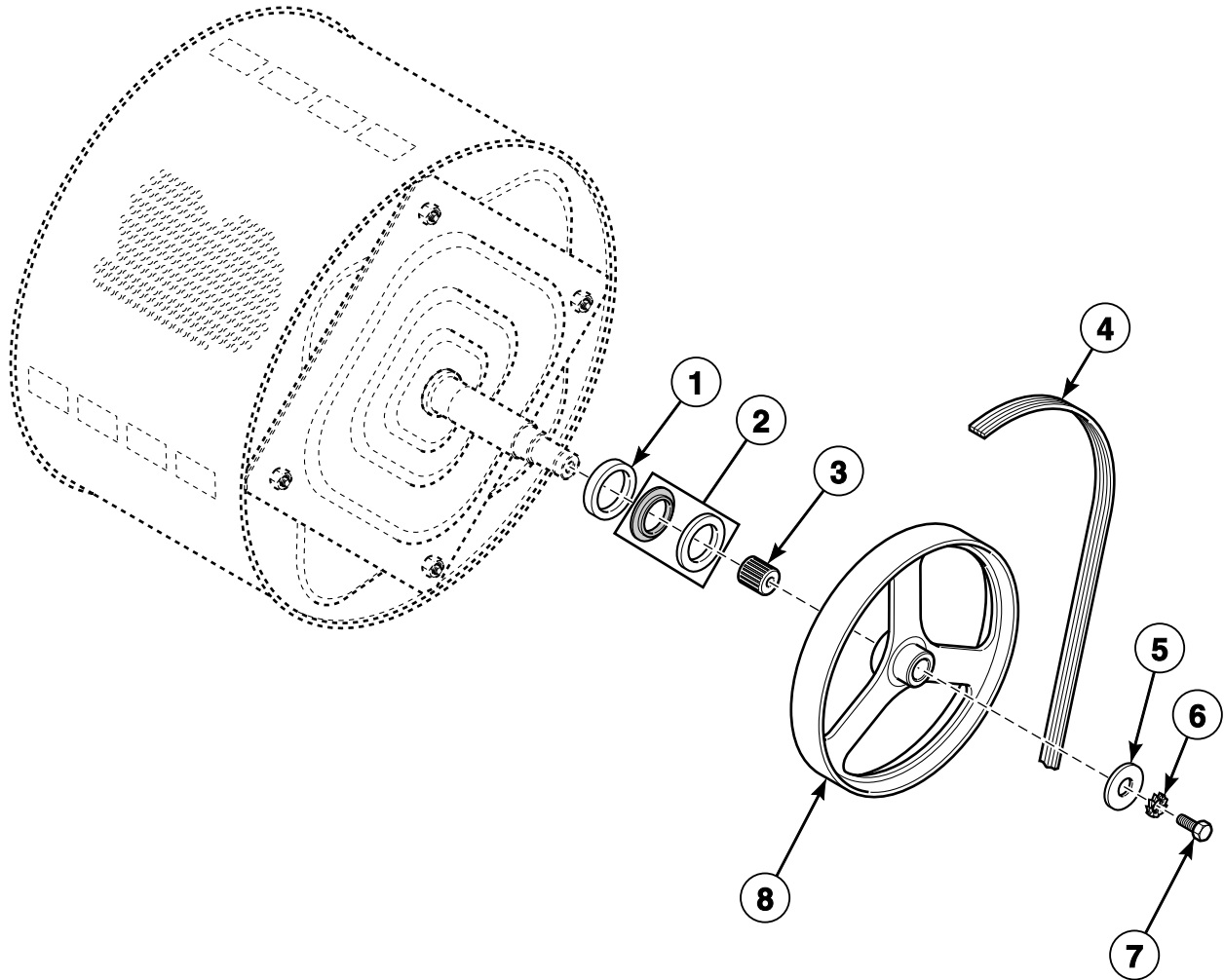


CFD641P_D0884

Bearing Housing - Models Starting 1/31/11

REF	PART NO.	DESCRIPTION	COMMENTS
	381P3	Bearing Replacement Tool Kit	
	3882P	Bearing Kit	Includes items 1, 4, 5, 11, 13, 14, 219/00004/00 Counter Ring and 223/00242/20 Tub Gasket
1	212/00024/00	Ball Bearing	
2	212/00037/00	Retainer Ring	
3	212/00101/00	Bearing Housing Assembly	Includes bearings
	212/00101/01	Bearing Housing Assembly	
4	201/00201/00	Washer	
5	205/00102/00	Bolt	
6	203/00004/00	Washer	
7	205/00104/00	Bolt	
8	152/00055/00	Speed Detector Bracket	
9	210/00074/00	Speed Detector	Includes items 8 and 10
10	209/00400/00	Speed Detector	
11	212/00004/00	Ball Bearing	
12	212/00006/00	Retainer Ring	
13	B12332301	Lip Seal	
14	B12333701	Seal Plate Assembly	Used with B12380101 Basket, B12380201 Basket, B12380301 Drum and B12380601 Basket
15	206/00093/00	Bolt	
16	113/00066/00	U-Piece Assembly	
17	113/00019/01	Bearing Housing Plate	1 mm
	113/00019/02	Bearing Housing Plate	2 mm
18	201/00001/00	Washer	
19	204/00010/00	Nut	

Pulley and Belt - Models Through 4/22/2007

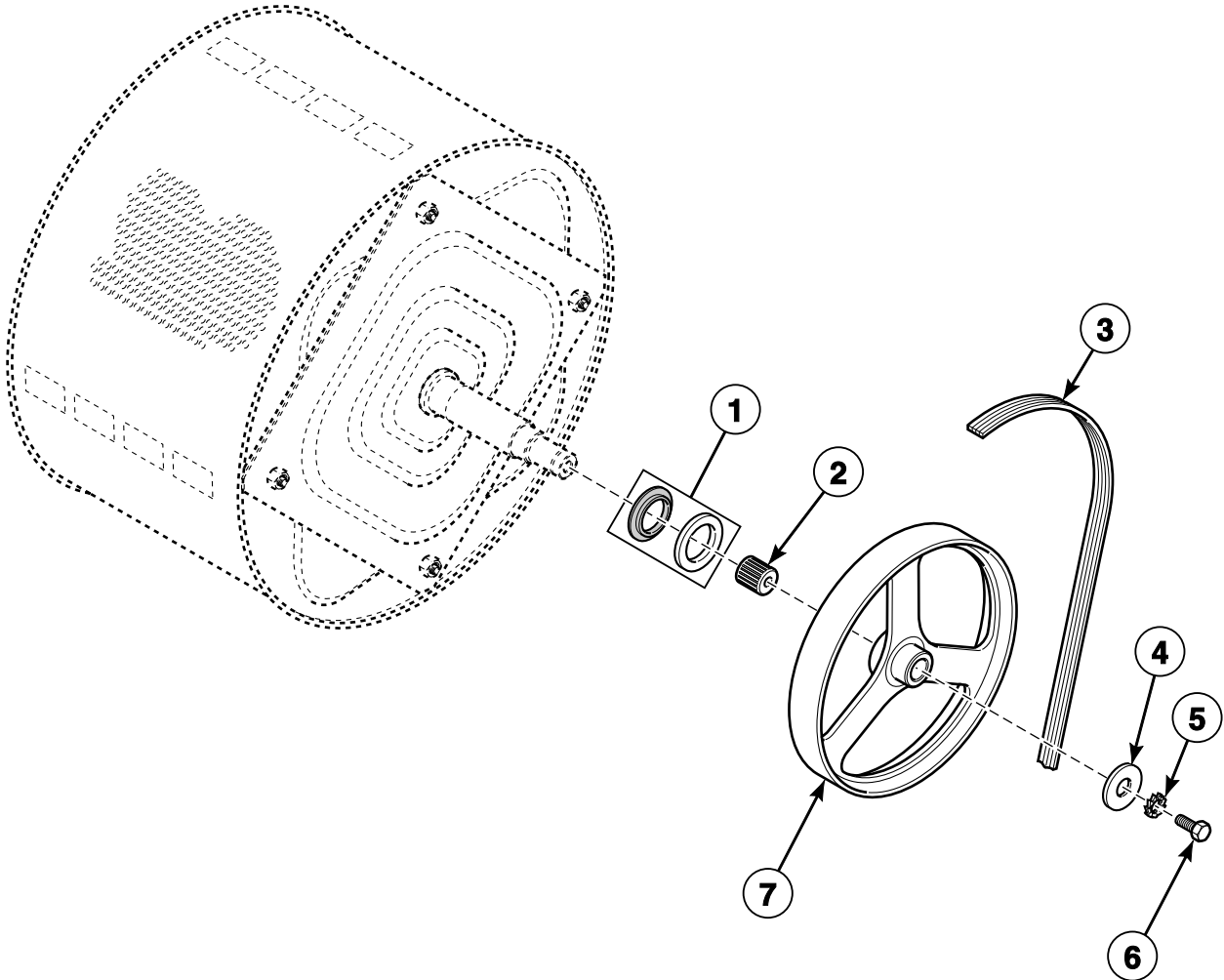


CFD642P_D0884

Pulley and Belt - Models Through 4/22/2007

REF	PART NO.	DESCRIPTION	COMMENTS
1	217/00101/00	Bearing Spacer	
2	219/00004/00	Counter Ring	
3	215/00004/00	Tolerance Ring	
4	226/00132/00	Belt	Medium speed models
	226/00138/00	Belt	2 speed models
5	201/00015/00	Washer	
6	203/00002/00	Washer	
7	206/00005/00	Bolt	
8	226/00126/00	Pulley	Medium speed models
	226/00141/00	Drum Pulley	2 speed models

Pulley and Belt - Models Starting 4/23/2007

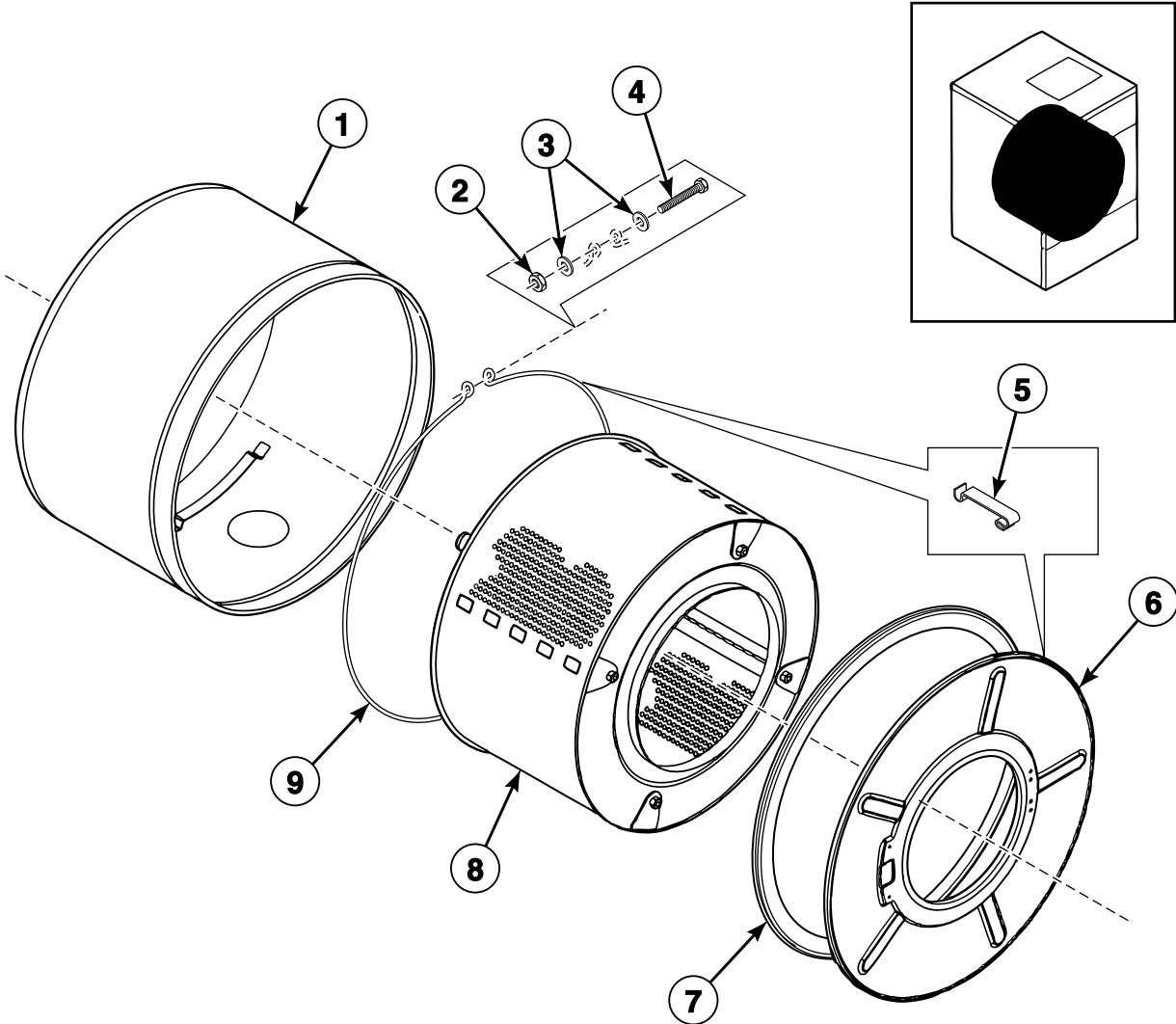


CFD643P_D0884

Pulley and Belt - Models Starting 4/23/2007

REF	PART NO.	DESCRIPTION	COMMENTS
1	219/00004/00	Counter Ring	
2	215/00004/00	Tolerance Ring	
3	226/00132/00	Belt	Medium speed models
	226/00138/00	Belt	2 speed models
4	201/00015/00	Washer	
5	203/00002/00	Washer	
6	206/00005/00	Bolt	
7	226/00126/00	Pulley	Medium speed models
	226/00141/00	Drum Pulley	2 speed models

Shell and Basket

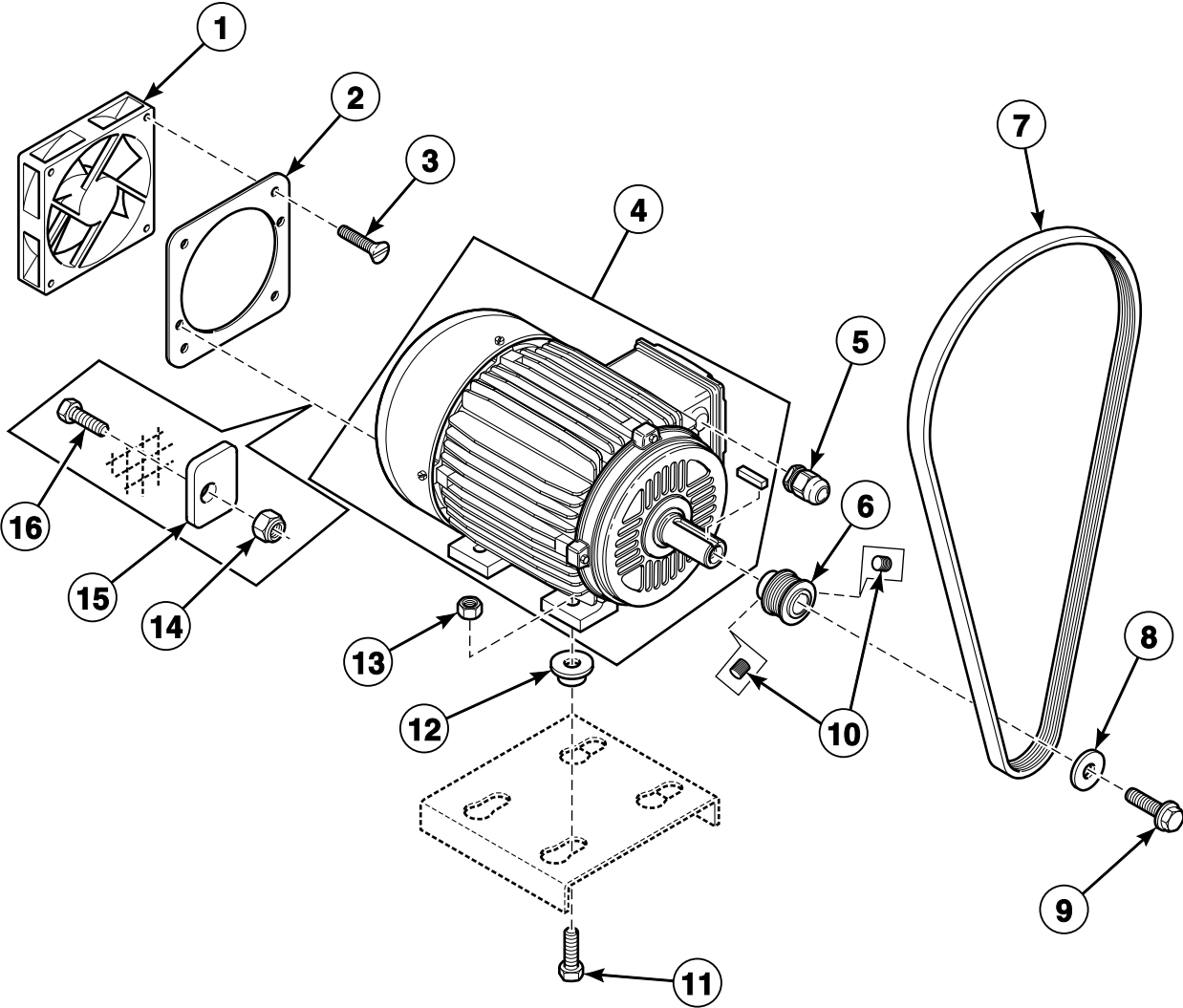


BE000807AP_D0884

Shell and Basket

REF	PART NO.	DESCRIPTION	COMMENTS
1	117/00220/00	Tub	*030 and *135 2 speed models before Serial No. 10080FW0149; *030 and *135 M speed models before Serial No. 10080WF0072; *035 and *165 2 speed models before Serial No. 10080HW0127; *035 and *165 M speed models before Serial No. 10080WH0021; Standard
	B12300902	Tub	*030 and *135 2 speed models starting Serial No. 10080FW0149; *030 and *135 M speed models starting Serial No. 10080WF0072; *035 and *165 2 speed models starting Serial No. 10080HW0127; *035 and *165 M speed models starting Serial No. 10080WH0021; Standard
	117/00221/00	Tub	*030 and *135 2 speed models before Serial No. 10080FW0149; *030 and *135 M speed models before Serial No. 10080WF0072; *035 and *165 2 speed models before Serial No. 10080HW0127; *035 and *165 M speed models before Serial No. 10080WH0021; Electric heat
	B12300901	Tub	*030 and *135 2 speed models starting Serial No. 10080FW0149; *030 and *135 M speed models starting Serial No. 10080WF0072; *035 and *165 2 speed models starting Serial No. 10080HW0127; *035 and *165 M speed models starting Serial No. 10080WH0021; Electric heat
2	204/00009/00	Nut	
3	201/00007/00	Washer	
4	206/00032/00	Bolt	
5	217/00008/00	Tub Front Panel Clip	
6	135/00033/00	Tub Front	
7	B12351601	Tub Front Gasket	
8	111/01809/00	Cylinder and Shaft Assembly	*030 and *135 models through 1/30/11; Used with 119/00001/01 Seal Holder Assembly
	B12542901	Basket Kit	*030 and *135 models through 1/30/11; Includes B12380101 Basket and Shaft Assembly and 3882P Bearing Kit
	B12380101	Basket and Shaft Assembly	*030 and *135 models starting 1/31/11; 3 mm; Used with B12333701 Seal Plate Assembly
	B12380201	Basket and Shaft Assembly	*030 and *135 models starting 1/31/11; 9 mm; Used with B12333701 Seal Plate Assembly
	111/01810/00	Drum and Axle Assembly	*035 and *165 models through 1/30/11; Used with 119/00001/01 Seal Holder Assembly
	B12543001	Basket Kit	*035 and *165 models through 1/30/11; Includes B12380501 Basket and Shaft Assembly and 3882P Bearing Kit
	B12380501	Basket and Shaft Assembly	*035 and *165 models starting 1/31/11; 3 mm; Used with B12333701 Seal Plate Assembly
	B12380601	Basket and Shaft Assembly	*035 and *165 models starting 1/31/11; 9 mm; Used with B12333701 Seal Plate Assembly
9	217/00007/00	Tub Front Ring Clamp	

Motor and Belt - Medium Speed Models Through 4/1/2007

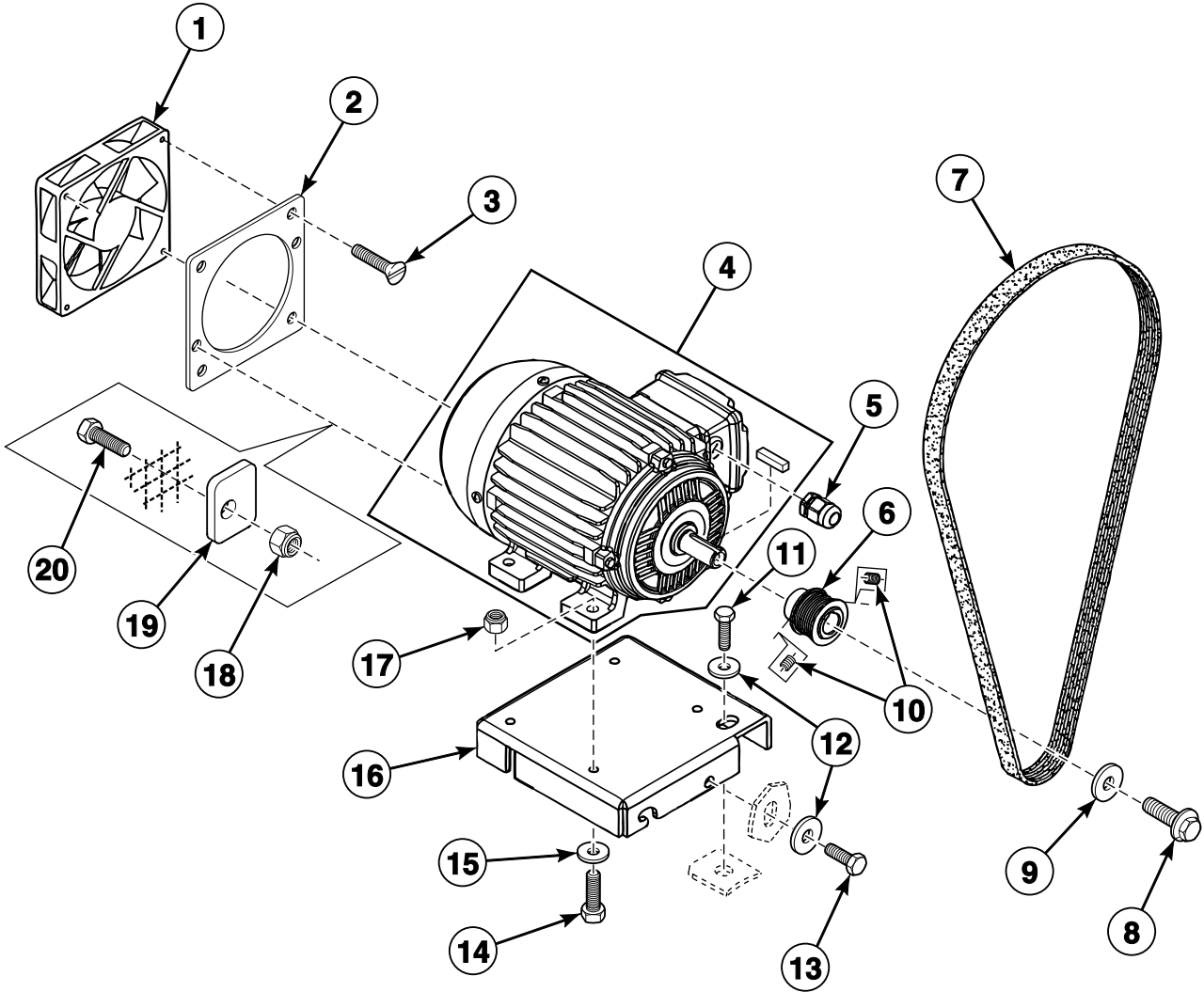


BE000793P_D0884

Motor and Belt - Medium Speed Models Through 4/1/2007

REF	PART NO.	DESCRIPTION	COMMENTS
1	209/00465/00	Fan	
2	152/00044/03	Fan Plate Assembly	
3	207/00117/00	Screw	
4	227/00193/00	Motor	Order replacement motor pulley when replacing motor
5	211/00168/00	Cordlock	
6	226/00130/00	Motor Pulley	
7	226/00132/00	Belt	
8	201/00015/00	Washer	
9	206/00042/00	Bolt	
10	206/00056/00	Screw	
11	206/00007/00	Screw	
12	223/00314/00	Guide	
13	204/00109/00	Nut	
14	204/00115/00	Nut	
15	117/00042/00	Retaining Ring	
16	206/00054/00	Bolt	

Motor and Belt - Medium Speed Models Starting 4/2/2007 and All 2 Speed Models

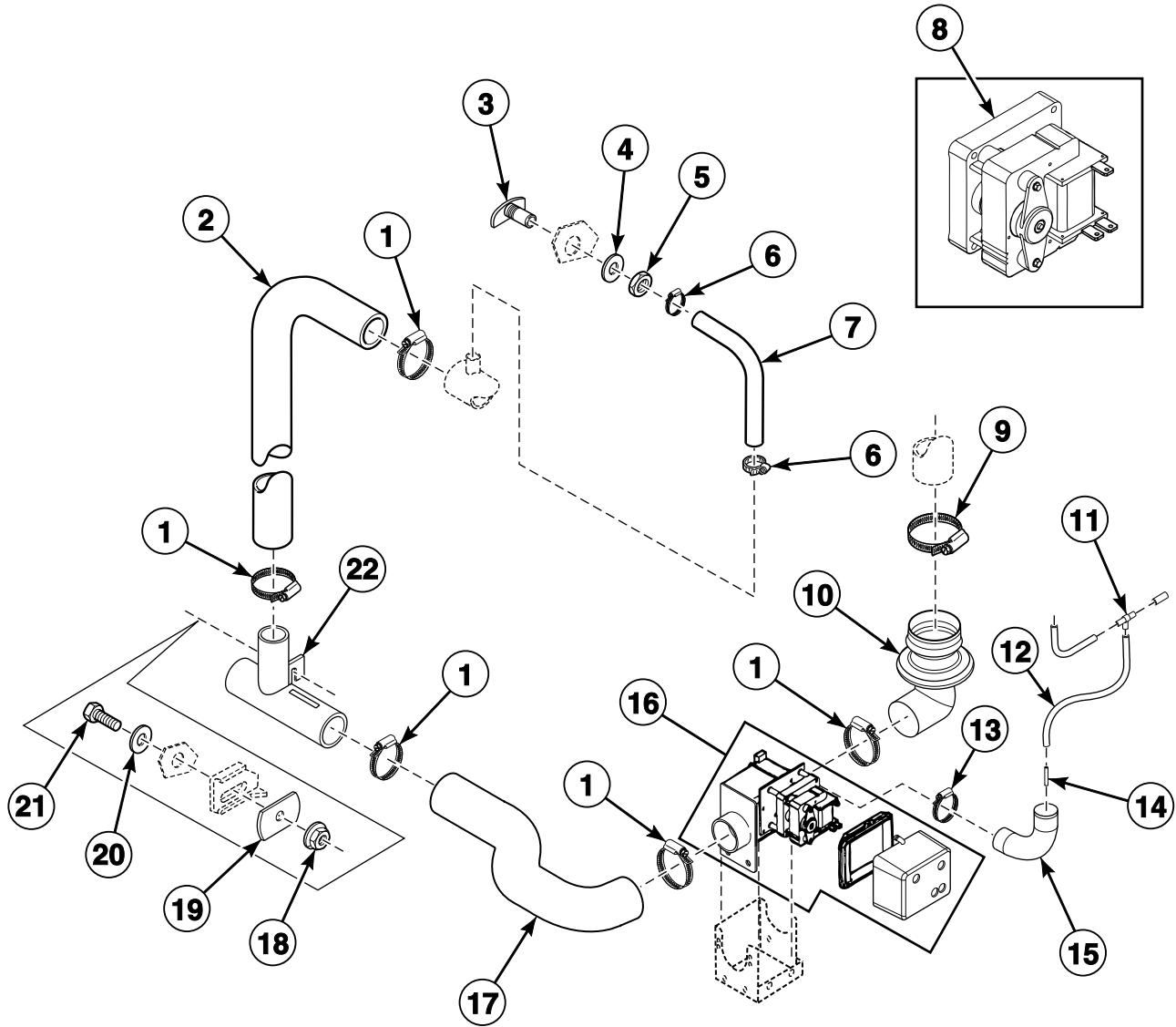


BE000793AP_D0884

Motor and Belt - Medium Speed Models Starting 4/2/2007 and All 2 Speed Models

REF	PART NO.	DESCRIPTION	COMMENTS
1	209/00465/00	Fan	
2	152/00044/03	Fan Plate Assembly	
3	207/00117/00	Screw	
4	227/00193/00	Motor	Medium speed models; Order replacement motor pulley when replacing motor
	B12510501	Motor	2 speed models; Order replacement motor pulley when replacing motor
5	211/00168/00	Cordlock	Medium speed models
	211/00167/00	Cordlock	2 speed models
6	226/00130/00	Motor Pulley	Medium speed models
	226/00144/00	Motor Pulley	2 speed models
7	226/00132/00	Belt	Medium speed models
	226/00138/00	Belt	2 speed models
8	206/00042/00	Bolt	
9	201/00015/00	Washer	
10	206/00056/00	Screw	Medium speed models
	206/00058/00	Screw	2 speed models
11	206/00119/00	Bolt	
12	201/00010/00	Washer	
13	206/00006/00	Bolt	
14	206/00009/00	Bolt	
15	202/00002/00	Washer	
16	115/10165/00	Motor Plate	Medium speed models
	115/11165/00	Motor Mounting Plate	2 speed models
17	204/00109/00	Nut	
18	204/00115/00	Nut	
19	117/00042/00	Retaining Ring	
20	206/00054/00	Bolt	

Drain Plumbing - Models with 2 Inch Drain Valve Through 8/11/10

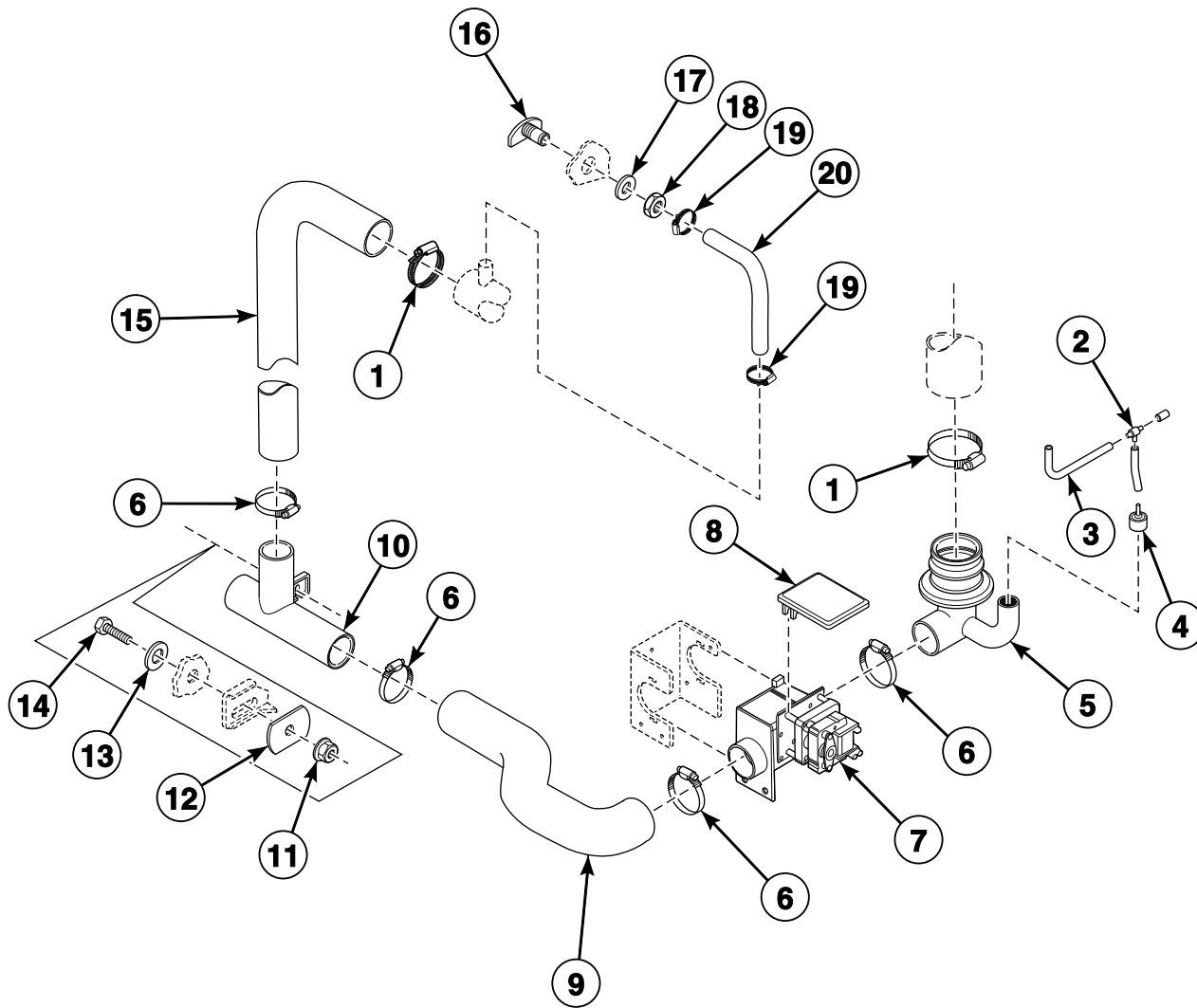


BE000794BP_D0884

Drain Plumbing - Models with 2 Inch Drain Valve Through 8/11/10

REF	PART NO.	DESCRIPTION	COMMENTS
1	223/00013/00	Hose Clamp	
2	223/00150/00	Overflow Hose	
	223/00100/00	Overflow Hose	
3	223/00001/04	Prewash and Mainwash Nozzle	
4	201/00002/00	Washer	
5	204/00201/00	Nut	
6	223/00010/00	Hose Clamp	
7	223/00044/00	Water Hose	
8	209/00643/11	Motor	
9	223/00014/00	Hose Clamp	
10	223/00382/00	Tub Exhaust	
11	223/00173/10	Pressure Switch Hose Tee	
12	223/00333/00	Pressure Hose	
13	223/00011/00	Hose Clamp	
14	223/00016/00	Hose Barb	
15	223/00210/00	Pressure Switch Elbow	
16	209/00643/00	Drain Valve	
17	223/00190/00	Drain Valve Hose	
	223/00303/00	Drain Valve Hose	
18	206/00101/00	Nut	
19	101/00007/00	Outlet Pipe Plate Assembly	
20	201/00007/00	Washer	
21	206/00033/00	Bolt	
22	223/00146/00	Drain Piece	

Drain Plumbing - Models with 2 Inch Drain Valve Starting 8/12/10

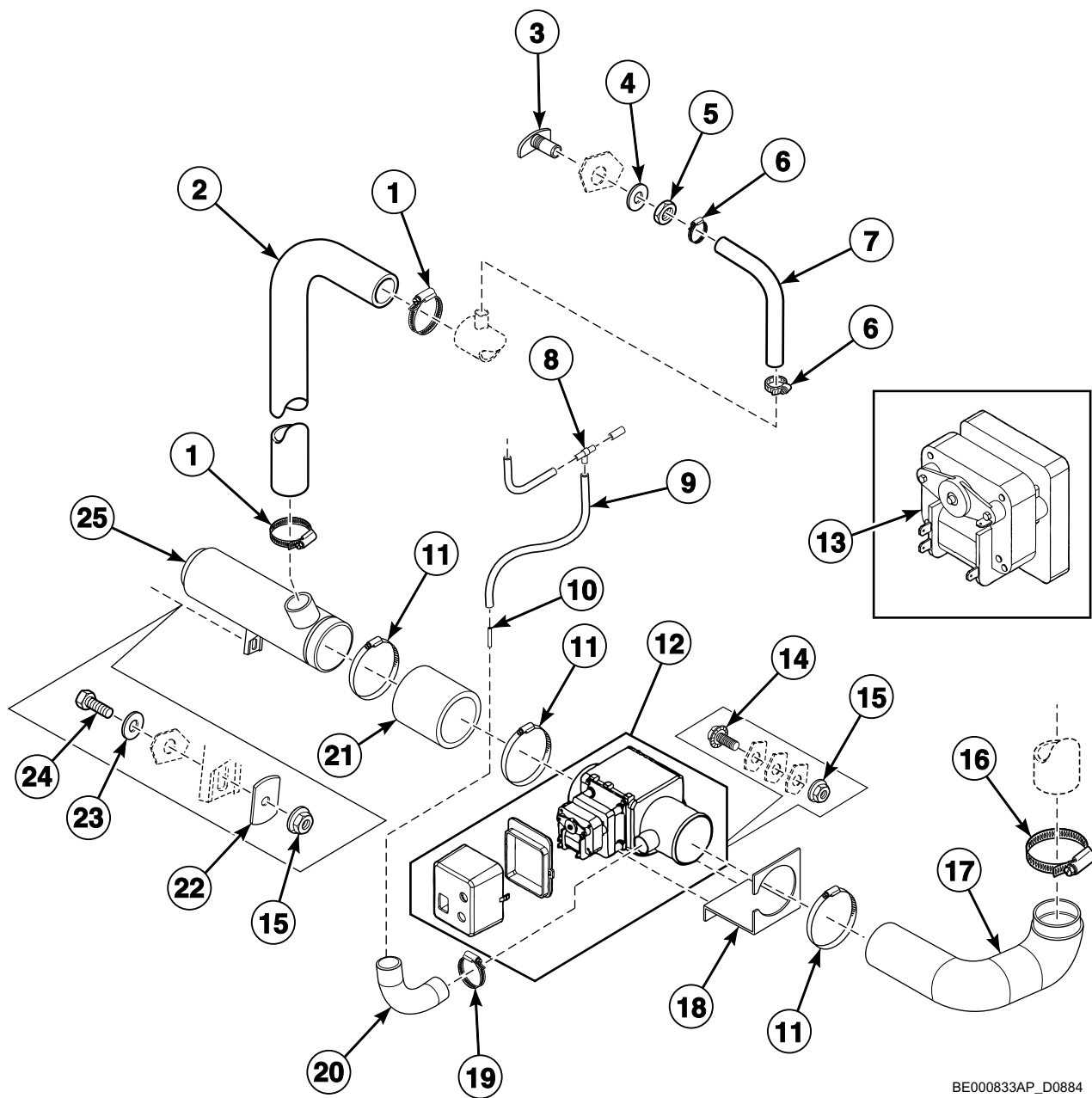


CFD462P_D0884

Drain Plumbing - Models with 2 Inch Drain Valve Starting 8/12/10

REF	PART NO.	DESCRIPTION	COMMENTS
1	223/00013/00	Hose Clamp	
2	223/00173/10	Pressure Switch Hose Tee	
3	223/00333/00	Pressure Hose	
4	223/00035/02	Pressure Switch Cap	
5	255/00010/00	Tub to Drain Valve Hose	
6	223/00014/00	Hose Clamp	
7	209/00463/00	Drain Valve	
8	223/00225/00	Drain Valve Cover	
9	223/00190/00	Drain Valve Hose	
	223/00303/00	Drain Valve Hose	
10	223/00146/00	Drain Piece	
11	206/00101/00	Nut	
12	101/00007/00	Outlet Pipe Plate Assembly	
13	201/00007/00	Washer	
14	206/00033/00	Bolt	
15	223/00150/00	Overflow Hose	
16	223/00001/04	Prewash and Mainwash Nozzle	
17	201/00002/00	Washer	
18	204/00201/00	Nut	
19	223/00010/00	Hose Clamp	
20	223/00044/00	Water Hose	

Drain Plumbing - *030 and *135 Models with 3 Inch Drain Valve

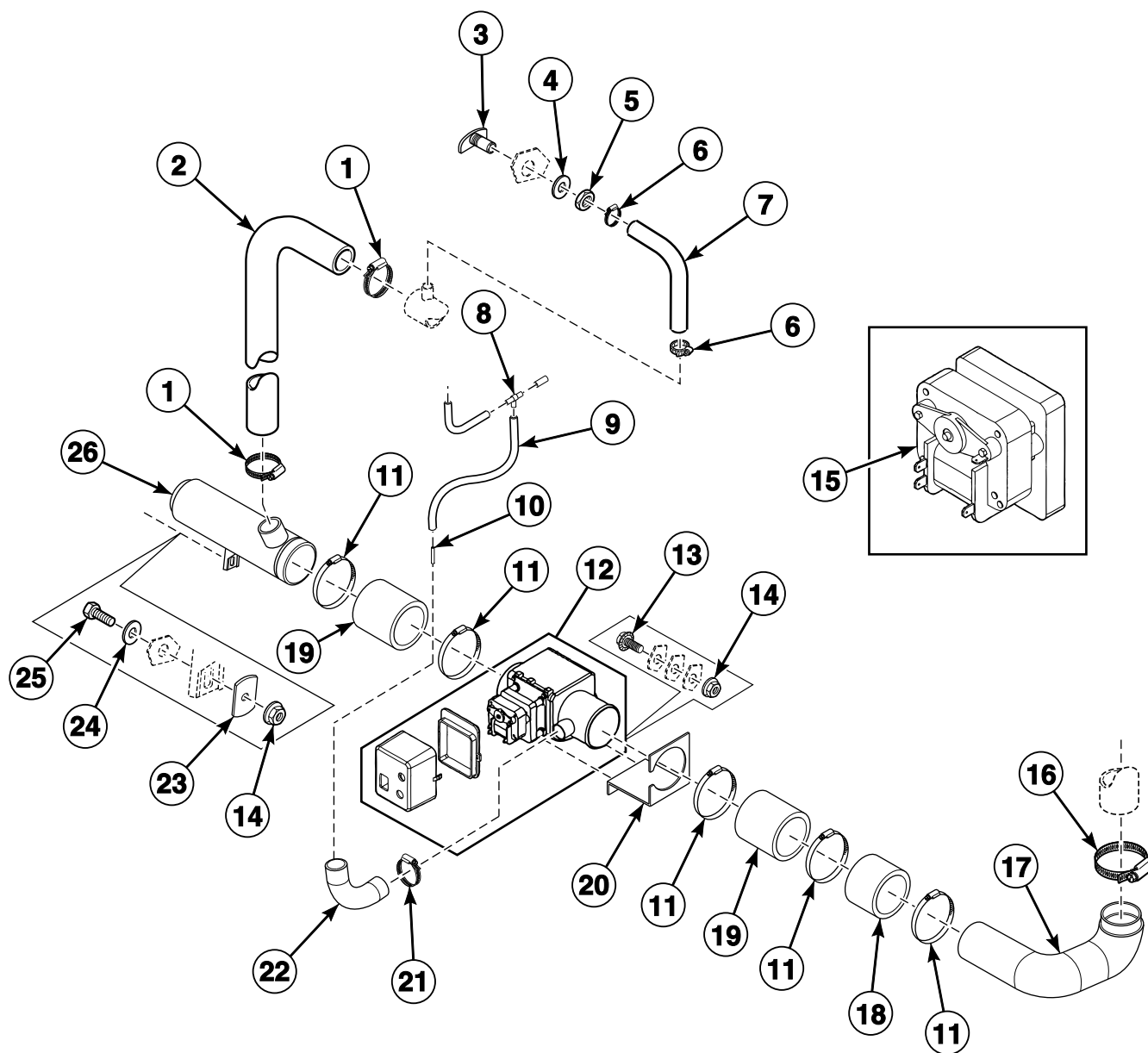


BE000833AP_D0884

Drain Plumbing - *030 and *135 Models with 3 Inch Drain Valve

REF	PART NO.	DESCRIPTION	COMMENTS
1	223/00013/00	Hose Clamp	
2	223/00150/00	Overflow Hose	
3	223/00001/04	Prewash and Mainwash Nozzle	
4	201/00002/00	Washer	
5	204/00201/00	Nut	
6	223/00010/00	Hose Clamp	
7	223/00044/00	Water Hose	
8	223/00173/10	Pressure Switch Hose Tee	
9	223/00333/00	Pressure Hose	
10	223/00016/00	Hose Barb	
11	223/00071/00	Hose Clamp	
12	209/00644/00	Drain Valve	
13	209/00644/11	Motor	
14	206/00099/00	Bolt	
15	206/00101/00	Nut	
16	223/00014/00	Hose Clamp	
17	223/00072/00	Drain Hose	
18	114/00010/00	Drain Valve Plate Assembly	
19	223/00011/00	Hose Clamp	
20	223/00210/00	Pressure Switch Elbow	
21	223/00263/00	Siphon Break Dispenser Hose	
22	101/00007/00	Outlet Pipe Plate Assembly	
23	201/00007/00	Washer	
24	206/00033/00	Bolt	
25	223/00106/00	Drain Pipe	

Drain Plumbing - *035 and *165 Models with 3 Inch Drain Valve

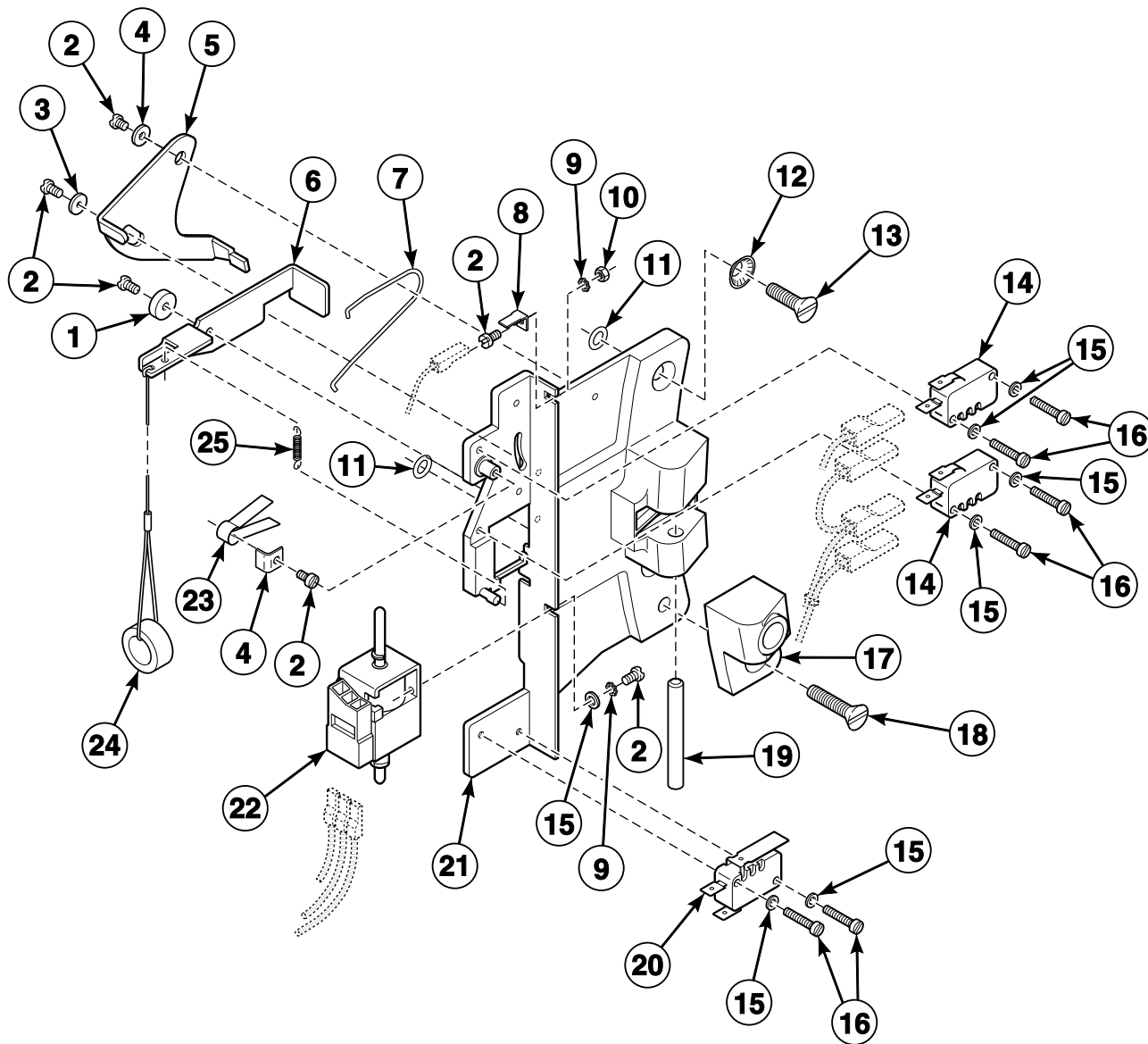


BE000834AP_D0884

Drain Plumbing - *035 and *165 Models with 3 Inch Drain Valve

REF	PART NO.	DESCRIPTION	COMMENTS
1	223/00013/00	Hose Clamp	
2	223/00150/00	Overflow Hose	
3	223/00001/04	Prewash and Mainwash Nozzle	
4	201/00002/00	Washer	
5	204/00201/00	Nut	
6	223/00010/00	Hose Clamp	
7	223/00044/00	Water Hose	
8	223/00173/10	Pressure Switch Hose Tee	
9	223/00333/00	Pressure Hose	
10	223/00016/00	Hose Barb	
11	223/00071/00	Hose Clamp	
12	209/00644/00	Drain Valve	
13	206/00099/00	Bolt	
14	206/00101/00	Nut	
15	209/00644/11	Motor	
16	223/00014/00	Hose Clamp	
17	223/00072/00	Drain Hose	
18	153/00058/00	Tube	Medium speed models
	153/00028/00	Tube	2 speed models
19	223/00263/00	Siphon Break Dispenser Hose	
20	114/00010/00	Drain Valve Plate Assembly	
21	223/00011/00	Hose Clamp	
22	223/00210/00	Pressure Switch Elbow	
23	101/00007/00	Outlet Pipe Plate Assembly	
24	201/00007/00	Washer	
25	206/00033/00	Bolt	
26	223/00106/00	Drain Pipe	

Door Lock

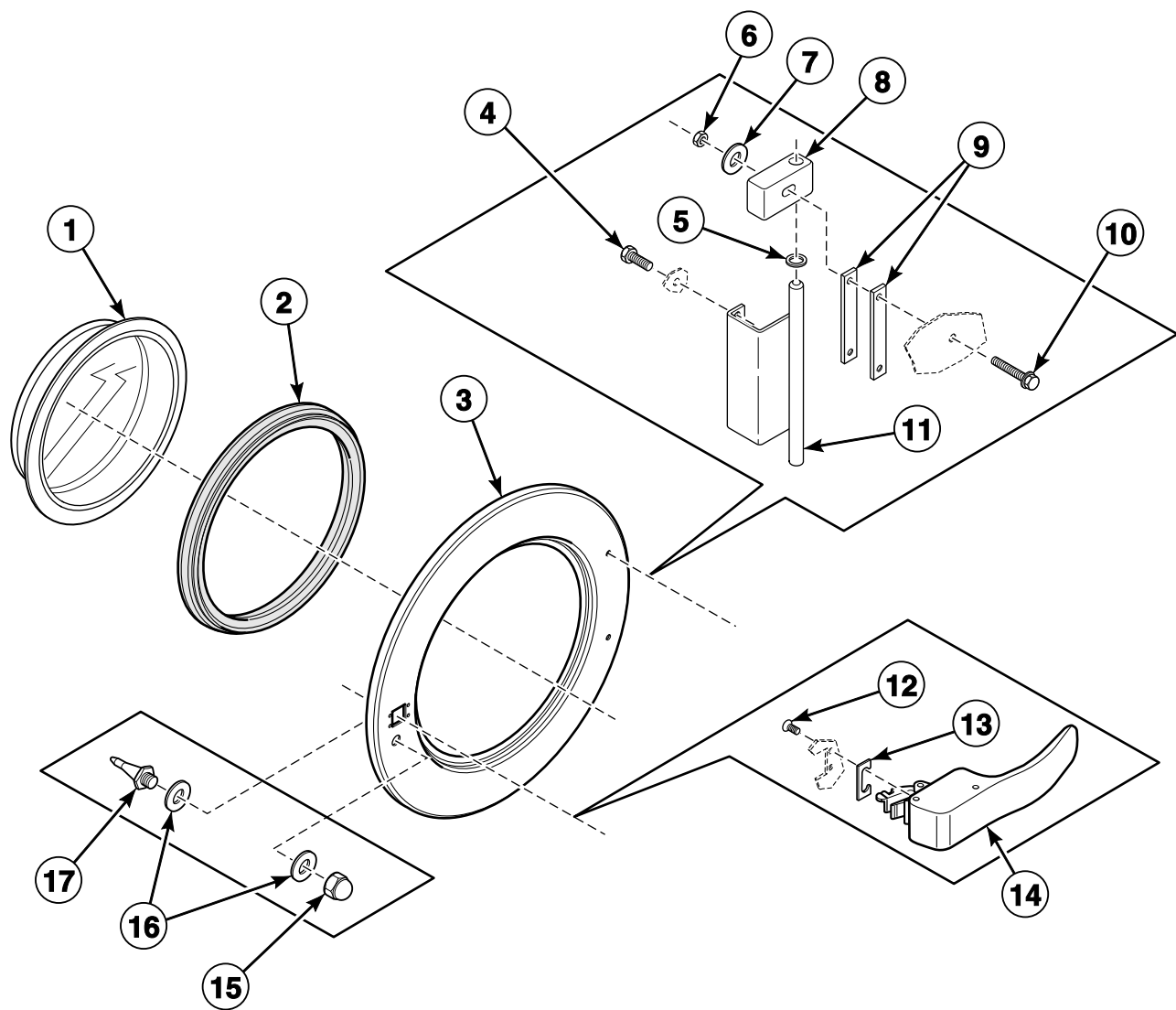


BE000059BP_D0884

Door Lock

REF	PART NO.	DESCRIPTION	COMMENTS
1	217/00052/03	Door Lock Spacer	
2	207/00135/00	Screw	
3	202/00124/00	Washer	
4	201/00017/00	Washer	
5	217/00052/05	Switch Lever	
6	217/00052/04	Interlock Lever	
7	224/00040/00	Lever Spring	
8	210/10015/00	Ground Terminal	
9	203/00007/00	Washer	
10	204/00008/00	Nut	
11	217/00021/00	O-Ring	
12	203/00010/00	Washer	
13	207/00103/00	Screw	
14	209/00272/00	Door Lock Microswitch	
15	201/00018/00	Washer	
16	207/00009/00	Screw	
17	217/00052/11	Door Lock Bracket	
18	207/00102/00	Screw	
19	217/00017/03	Lock Shaft	
20	209/00273/00	Light Microswitch	
21	217/00052/01A	Door Lock Assembly	
22	B12495102	Door Solenoid Assembly	
23	224/00049/00	Door Lock Spring	
24	217/00052/07	Door Release Wire	
25	224/00043/00	Interlock Coil Spring	

Door

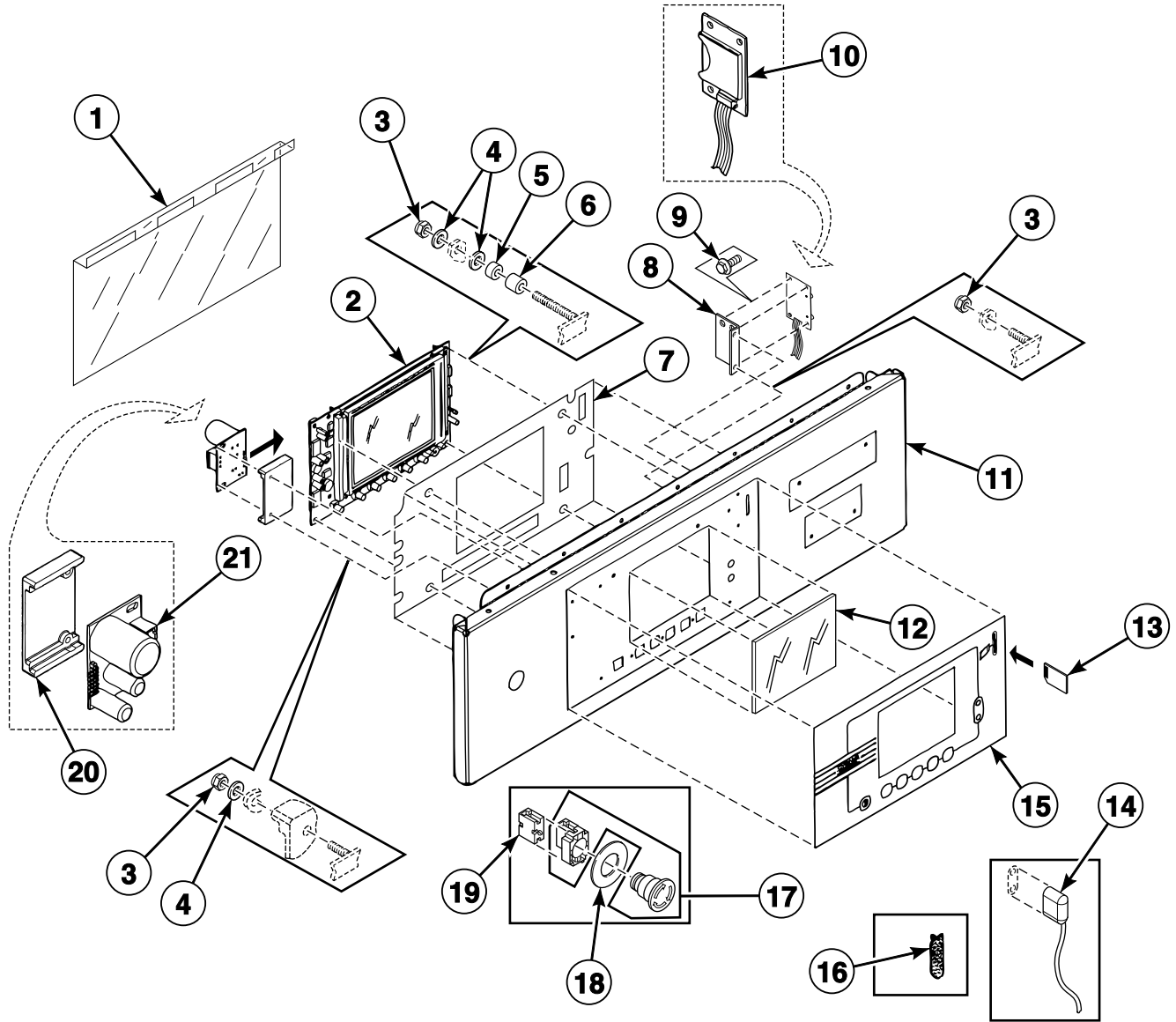


BE000815P_D0884

Door

REF	PART NO.	DESCRIPTION	COMMENTS
1	B12449701	Door Glass	
2	217/00015/00	Door Glass Seal	
3	118/00046/10	Door Frame	
4	205/00107/00	Bolt	
5	202/00104/00	Washer	
6	204/00106/00	Nut	
7	202/00108/00	Washer	
8	217/00009/02	Door Hinge Assembly	
9	117/00010/00	Door Hinge Spacer	
10	207/00126/00	Screw	
11	221/00003/00	Hinge	
12	B12500801	Screw	
13	217/00016/00	Door Handle Stop	
14	217/00059/00	Door Handle	Black; IWF, WF and WFF models
	217/00065/00	Door Handle	Gray; CWF, WF and WFF models
15	204/00103/00	Nut	
16	202/00111/00	Washer	
17	211/00109/02	Door Lock Pin Kit	

Control Panel - Cygnus Professional

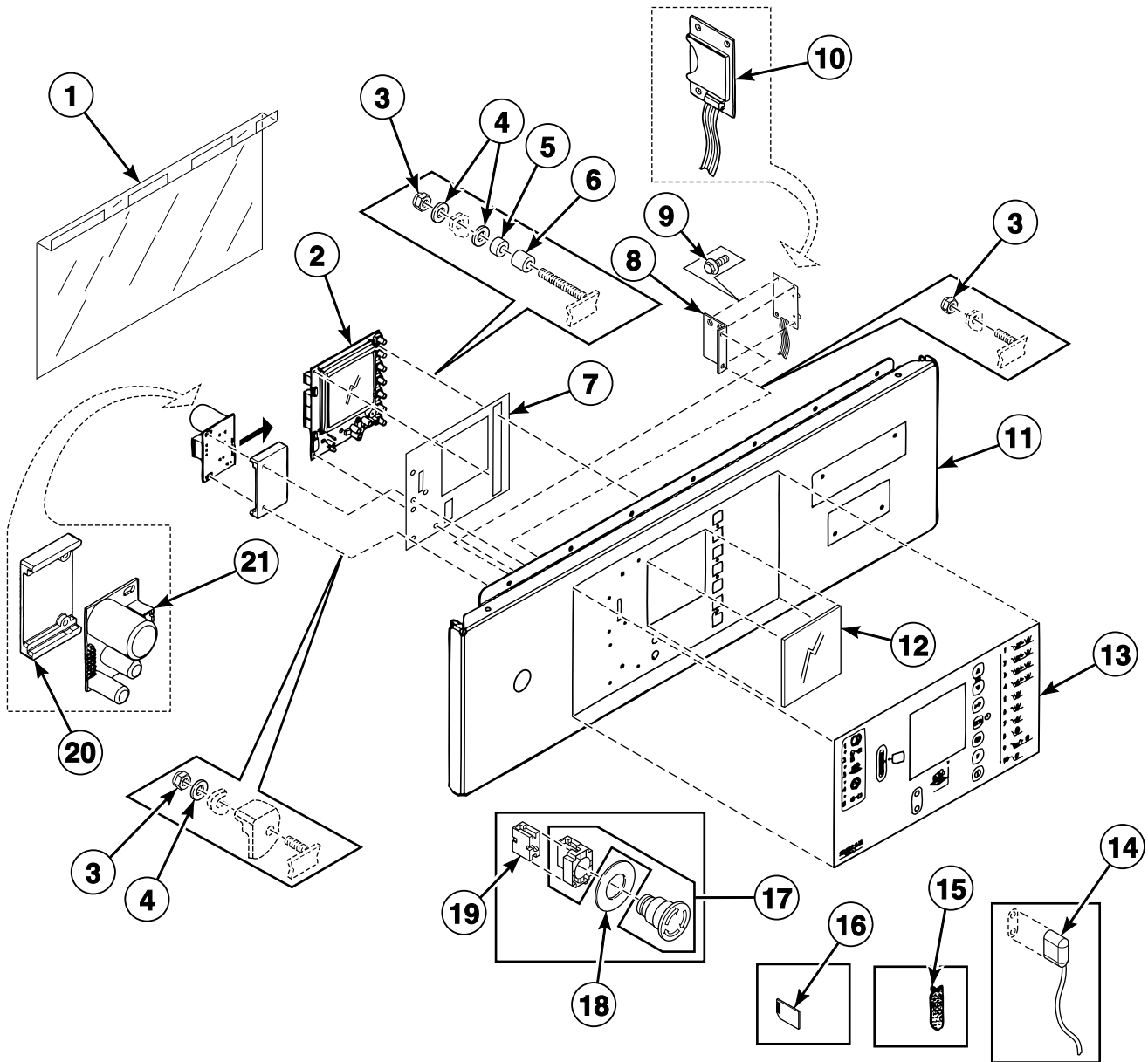


BE000804CP_D0884

Control Panel - Cygnus Professional

REF	PART NO.	DESCRIPTION	COMMENTS
1	229/00289/00	Circuit Board Cover	
2	209/02002/00	Display PC-Board	
3	204/00116/00	Nut	
4	223/00123/00	Washer	
5	211/00128/00	Printboard Separator	
6	211/00122/00	Standoff	
7	229/00268/00	Insulating Sticker	
8	111/01893/00	Printboard Support Card	
9	211/00145/00	Standoff	
10	B12305201	Memory Card PC-Board	Models prior to 4/5/11 require a firmware upgrade
	B12538301	Data Card Ribbon Assembly	
11	111/01845/00	Upper Front Panel	
12	225/00321/00	Plexi Frame	
13	209/02022/00	Datacard	
14	210/00901/00	Optic Cable	
15	225/10313/00	Operating Sticker	
16	223/00348/00	Datacard Cover	
17	209/00248/20	Mushroom Pushbutton	
18	209/00520/00	Telem Sticker	
19	209/00099/26	Contact Switch	
20	223/00374/00	Mounting Plate	
21	209/02010/00	Door Lock PC-Board	

Control Panel - Cygnus Premium OPL

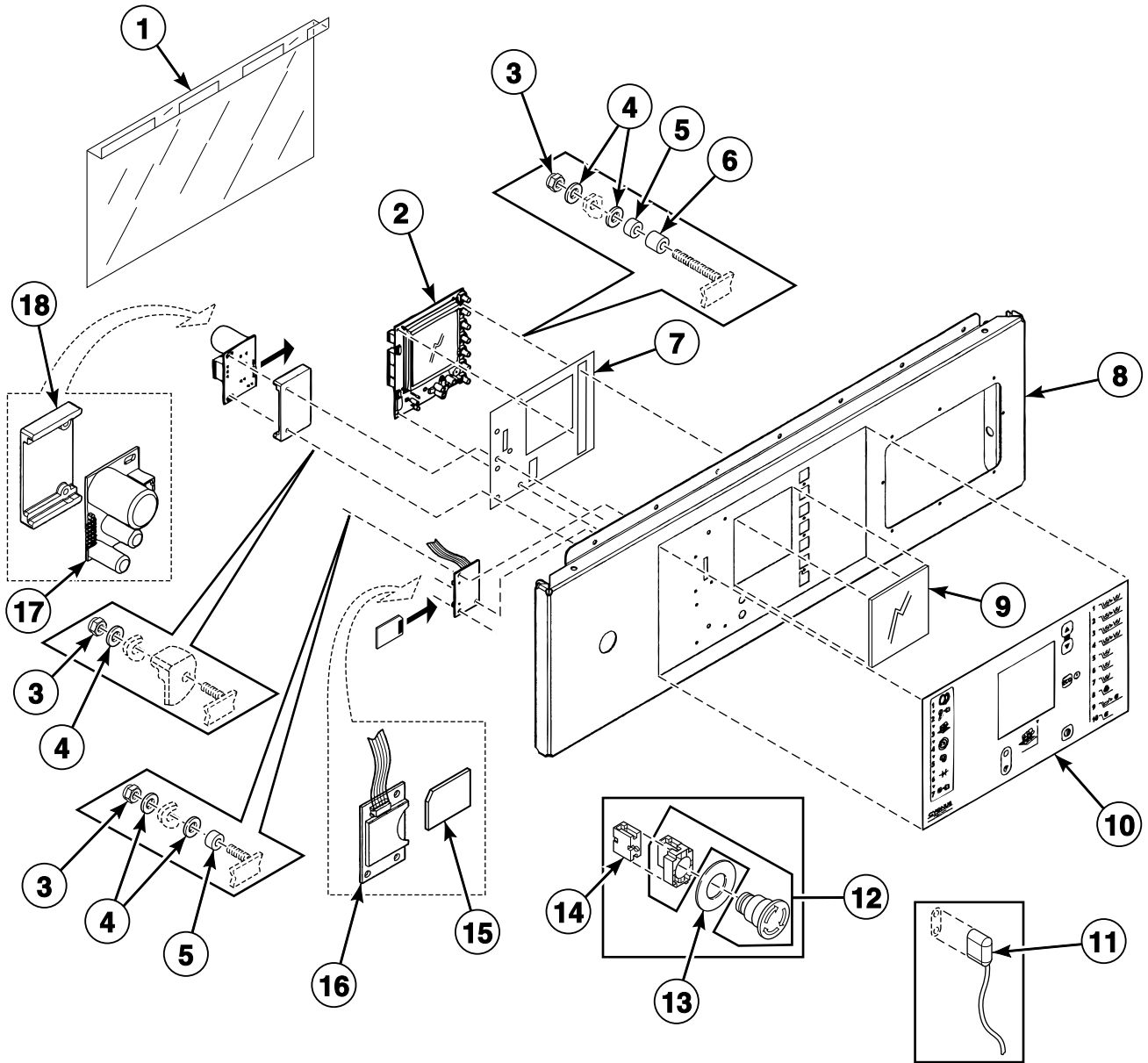


BE000871AP_D0884

Control Panel - Cygnus Premium OPL

REF	PART NO.	DESCRIPTION	COMMENTS
1	229/00289/00	Circuit Board Cover	
2	209/02015/02	Printboard	
3	204/00116/00	Nut	
4	223/00123/00	Washer	
5	211/00128/00	Printboard Separator	
6	211/00122/00	Standoff	
7	229/00291/00	Insulating Sticker	
8	111/01893/00	Printboard Support Card	
9	211/00145/00	Standoff	
10	B12305201	Memory Card PC-Board	Models prior to 4/5/11 require a firmware upgrade
	B12538301	Data Card Ribbon Assembly	
11	111/01900/00	Operating Panel	
12	225/00323/00	Plexi Frame	
13	225/10404/00	Operating Sticker	With datacard opening
	225/10427/00	Operating Sticker	Without datacard opening
14	210/00901/00	Optic Cable	
15	223/00348/00	Datacard Cover	
16	209/02022/00	Datacard	
17	209/00099/20	Emergency Switch Pushbutton	
18	209/00520/00	Telem Sticker	
19	209/00099/26	Contact Switch	
20	223/00374/00	Mounting Plate	
21	209/02010/00	Door Lock PC-Board	

Control Panel - Cygnus Premium OPL with Frontal Supply Dispenser

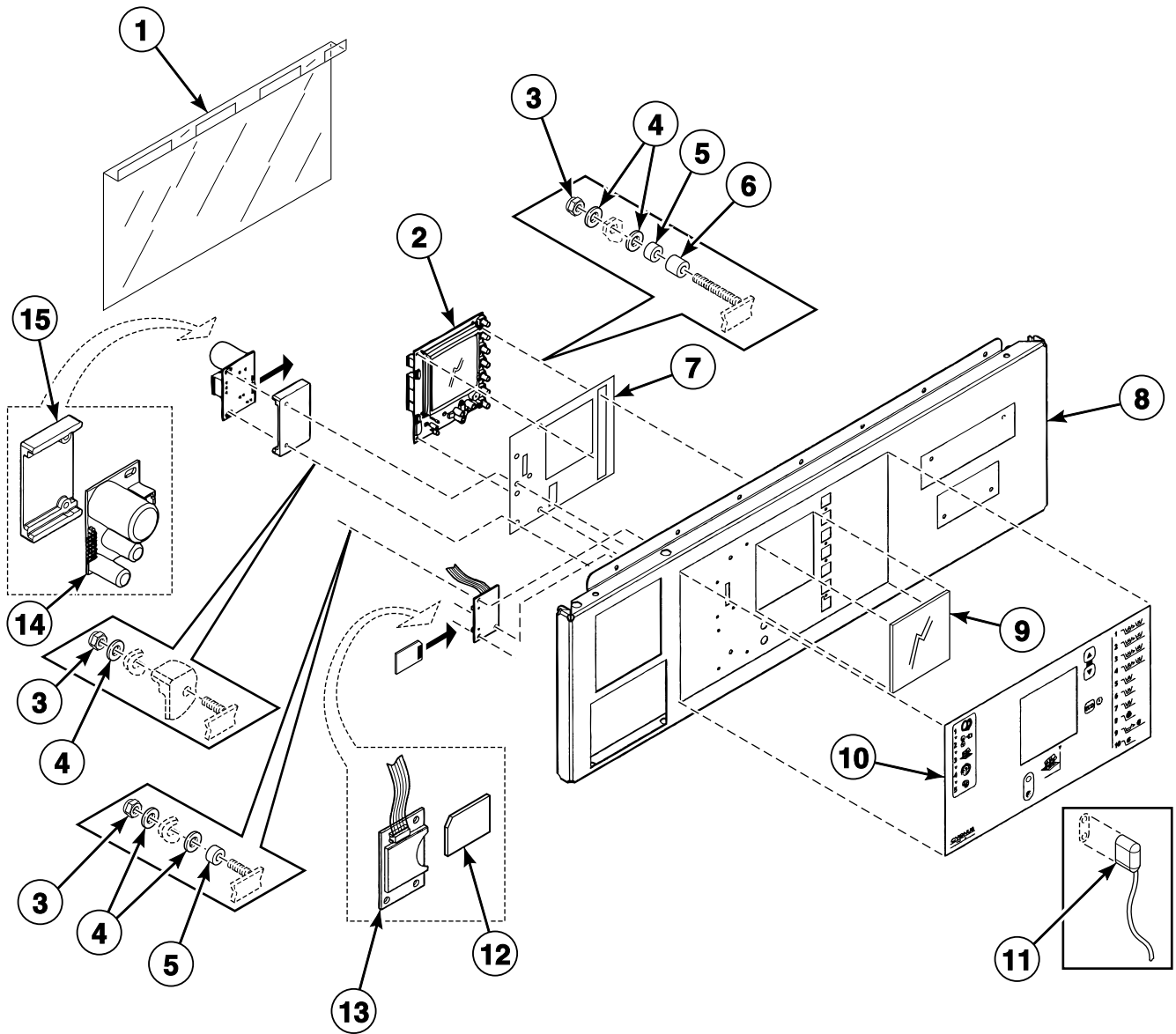


BE000870AP_D0884

Control Panel - Cygnus Premium OPL with Frontal Supply Dispenser

REF	PART NO.	DESCRIPTION	COMMENTS
1	229/00289/00	Circuit Board Cover	
2	209/02015/02	Printboard	
3	204/00116/00	Nut	
4	223/00123/00	Washer	
5	211/00128/00	Printboard Separator	
6	211/00122/00	Standoff	
7	229/00291/00	Insulating Sticker	
8	111/01906/00	Operating Panel	
9	225/00323/00	Plexi Frame	
10	225/10404/00	Operating Sticker	With datacard opening
	225/10427/00	Operating Sticker	Without datacard opening
11	210/00901/00	Optic Cable	
12	209/00099/20	Emergency Switch Pushbutton	
13	209/00520/00	Telem Sticker	
14	209/00099/26	Contact Switch	
15	209/02022/00	Datacard	
16	B12305201	Memory Card PC-Board	Models prior to 4/5/11 require a firmware upgrade
	B12538301	Data Card Ribbon Assembly	
17	209/02010/00	Door Lock PC-Board	
18	223/00374/00	Mounting Plate	

Control Panel - Cygnus Premium Coin

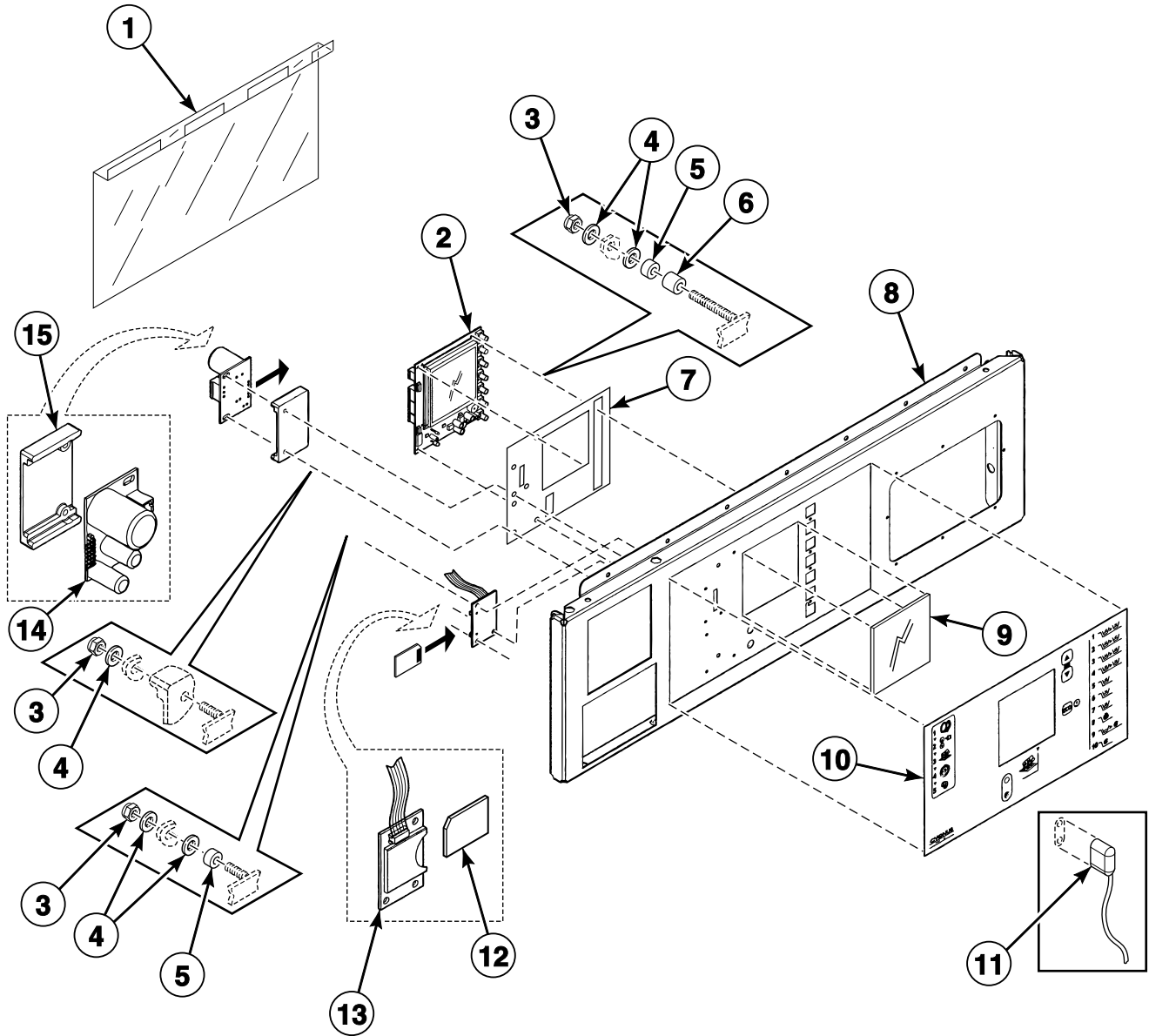


BE000872AP_D0884

Control Panel - Cygnus Premium Coin

REF	PART NO.	DESCRIPTION	COMMENTS
1	229/00289/00	Circuit Board Cover	
2	209/02015/02	Printboard	
3	204/00116/00	Nut	
4	223/00123/00	Washer	
5	211/00128/00	Printboard Separator	
6	211/00122/00	Standoff	
7	229/00291/00	Insulating Sticker	
8	111/01903/00	Operating Panel	
9	225/00323/00	Plexi Frame	
10	225/10403/00	Operating Sticker	
11	210/00901/00	Optic Cable	
12	209/02022/00	Datacard	
13	B12305201	Memory Card PC-Board	Models prior to 4/5/11 require a firmware upgrade
	B12538301	Data Card Ribbon Assembly	
14	209/02010/00	Door Lock PC-Board	
15	223/00374/00	Mounting Plate	

Control Panel - Cygnus Premium Coin with Frontal Supply Dispenser

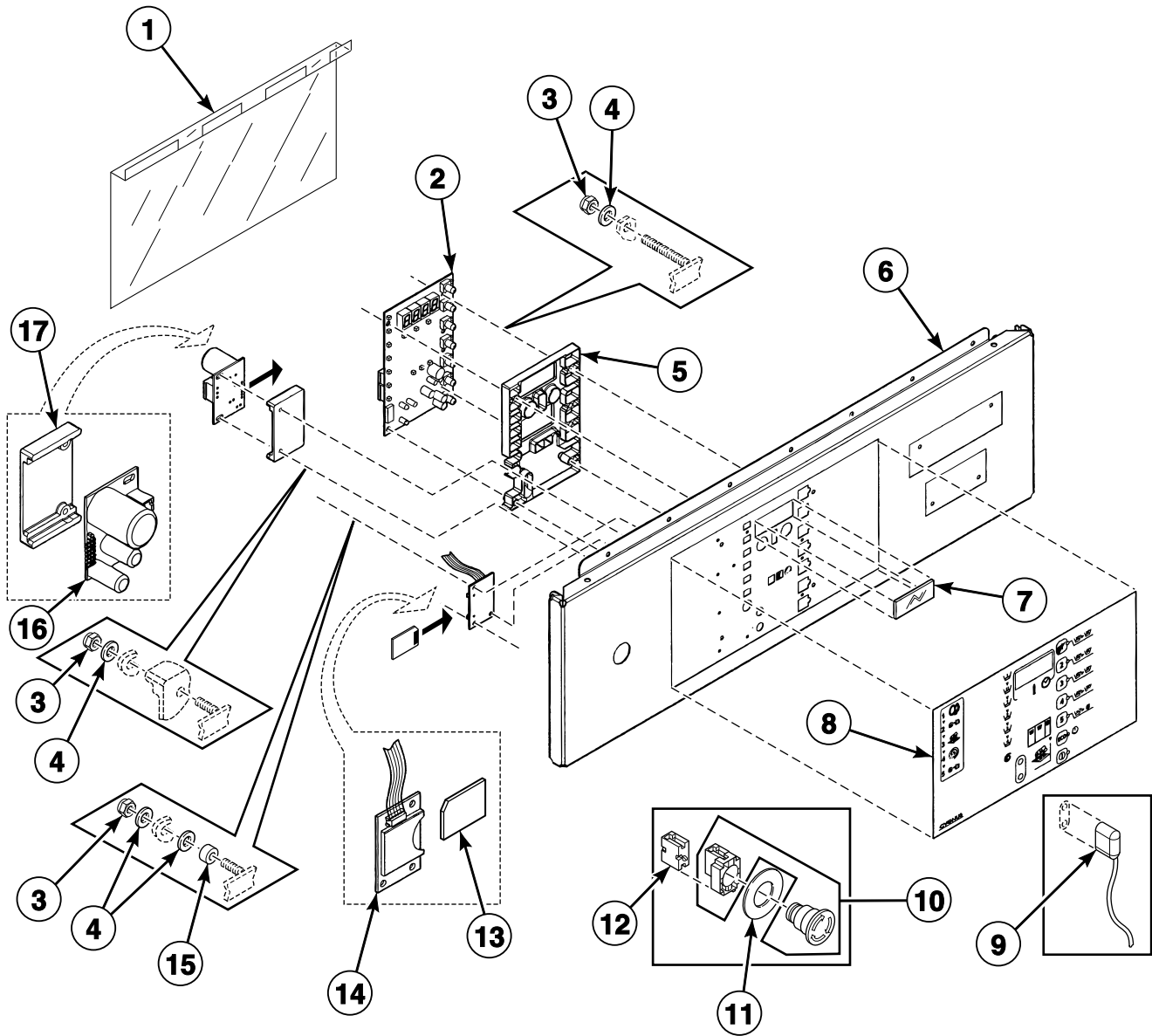


BE000873AP_D0884

Control Panel - Cygnus Premium Coin with Frontal Supply Dispenser

REF	PART NO.	DESCRIPTION	COMMENTS
1	229/00289/00	Circuit Board Cover	
2	209/02015/02	Printboard	
3	204/00116/00	Nut	
4	223/00123/00	Washer	
5	211/00128/00	Printboard Separator	
6	211/00122/00	Standoff	
7	229/00291/00	Insulating Sticker	
8	111/01907/00	Operating Panel	
9	225/00323/00	Plexi Frame	
10	225/10403/00	Operating Sticker	
11	210/00901/00	Optic Cable	
12	209/02022/00	Datacard	
13	B12305201	Memory Card PC-Board	Models prior to 4/5/11 require a firmware upgrade
	B12538301	Data Card Ribbon Assembly	
14	209/02010/00	Door Lock PC-Board	
15	223/00374/00	Mounting Plate	

Control Panel - Cygnus Standard/Commercial OPL

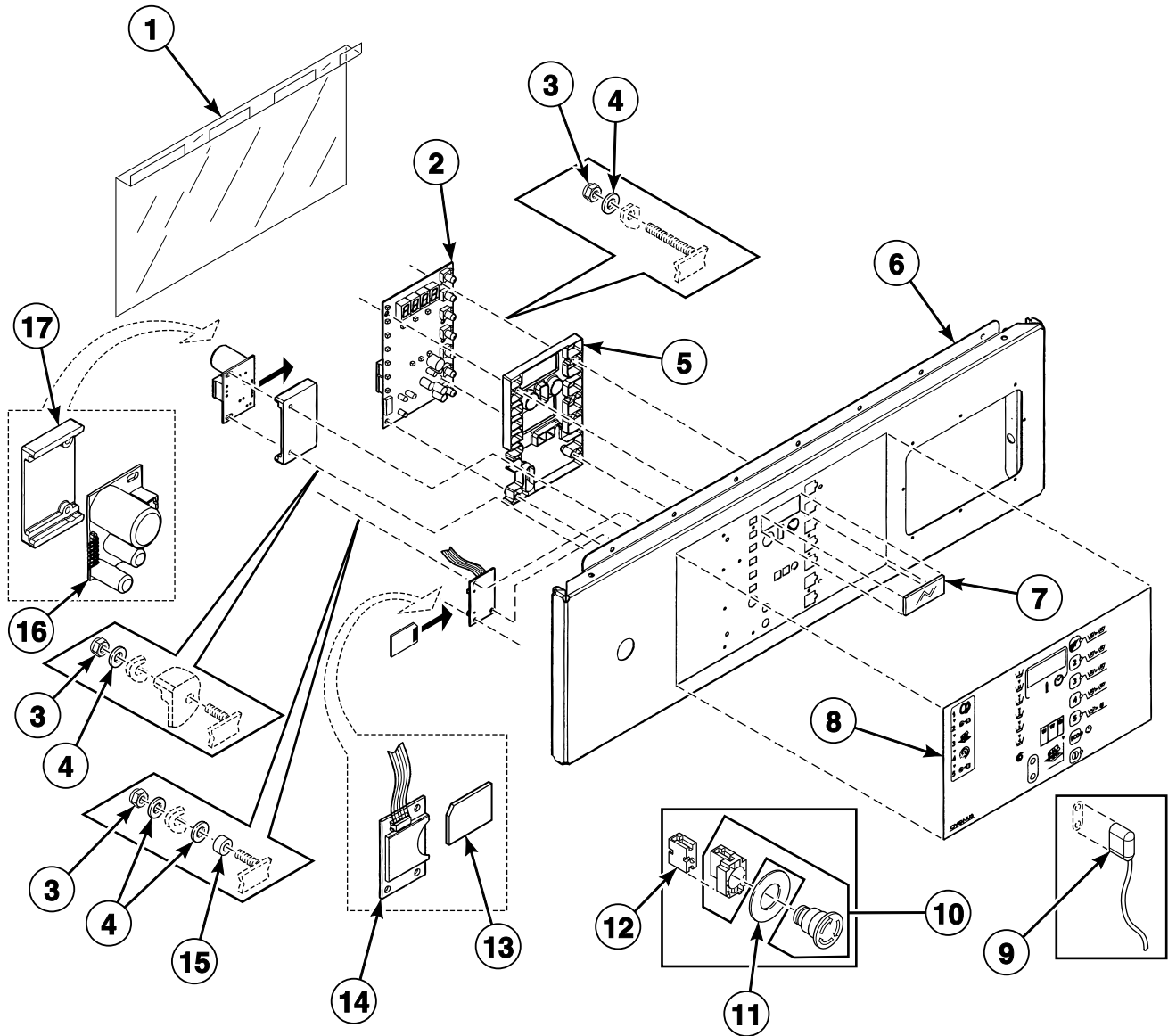


BE000867AP_D0884

Control Panel - Cygnus Standard/Commercial OPL

REF	PART NO.	DESCRIPTION	COMMENTS
1	229/00289/00	Circuit Board Cover	
2	209/02001/02	Printboard	
3	204/00116/00	Nut	
4	223/00123/00	Washer	
5	223/00330/00	Protection LED	
6	111/01828/00	Operating Panel	
7	225/00322/00	Plexi Frame	
8	225/10307/00	Operating Sticker	Models WFF135_CYGNUS-STANDARD_OPL, WFF165_CYGNUS-STANDARD_OPL, WF135_CYGNUS-STANDARD_OPL and WF165_CYGNUS-STANDARD_OPL
	225/10308/00	Operating Sticker	Models WFF135_CYGNUS-COMM_OPL, WFF165_CYGNUS-COMM_OPL, WF135_CYGNUS-COMM_OPL and WF165_CYGNUS-COMM_OPL
9	210/00901/00	Optic Cable	
10	209/00248/20	Mushroom Pushbutton	
11	209/00520/00	Telem Sticker	
12	209/00099/26	Contact Switch	
13	209/02022/00	Datacard	
14	B12305201	Memory Card PC-Board	Models prior to 4/5/11 require a firmware upgrade
	B12538301	Data Card Ribbon Assembly	
15	211/00128/00	Printboard Separator	
16	209/02010/00	Door Lock PC-Board	
17	223/00374/00	Mounting Plate	

Control Panel - Cygnus Standard/Commercial OPL with Frontal Supply Dispenser

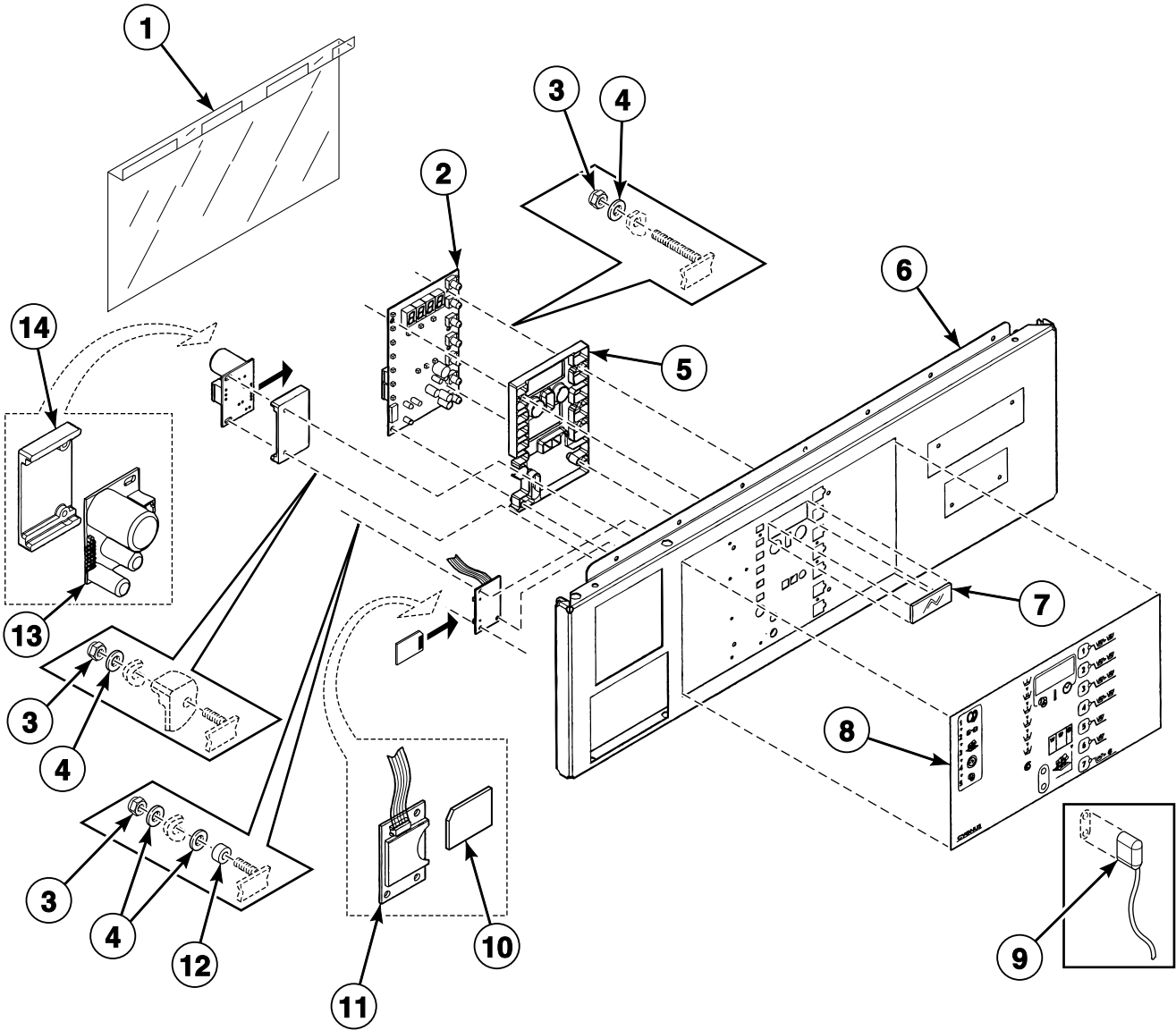


BE000868AP_D0884

Control Panel - Cygnus Standard/Commercial OPL with Frontal Supply Dispenser

REF	PART NO.	DESCRIPTION	COMMENTS
1	229/00289/00	Circuit Board Cover	
2	209/02001/02	Printboard	
3	204/00116/00	Nut	
4	223/00123/00	Washer	
5	223/00330/00	Protection LED	
6	111/01829/00	Operating Panel	
7	225/00322/00	Plexi Frame	
8	225/10307/00	Operating Sticker	Models WFF135_CYGNUS-STANDARD_OPL, WFF165_CYGNUS-STANDARD_OPL, WF135_CYGNUS-STANDARD_OPL and WF165_CYGNUS-STANDARD_OPL
	225/10308/00	Operating Sticker	Models WFF135_CYGNUS-COMM_OPL, WFF165_CYGNUS-COMM_OPL, WF135_CYGNUS-COMM_OPL and WF165_CYGNUS-COMM_OPL
9	210/00901/00	Optic Cable	
10	209/00248/20	Mushroom Pushbutton	
11	209/00520/00	Telem Sticker	
12	209/00099/26	Contact Switch	
13	209/02022/00	Datacard	
14	B12305201	Memory Card PC-Board	Models prior to 4/5/11 require a firmware upgrade
	B12538301	Data Card Ribbon Assembly	
15	211/00128/00	Printboard Separator	
16	209/02010/00	Door Lock PC-Board	
17	223/00374/00	Mounting Plate	

Control Panel - Cygnus Standard/Commercial Coin

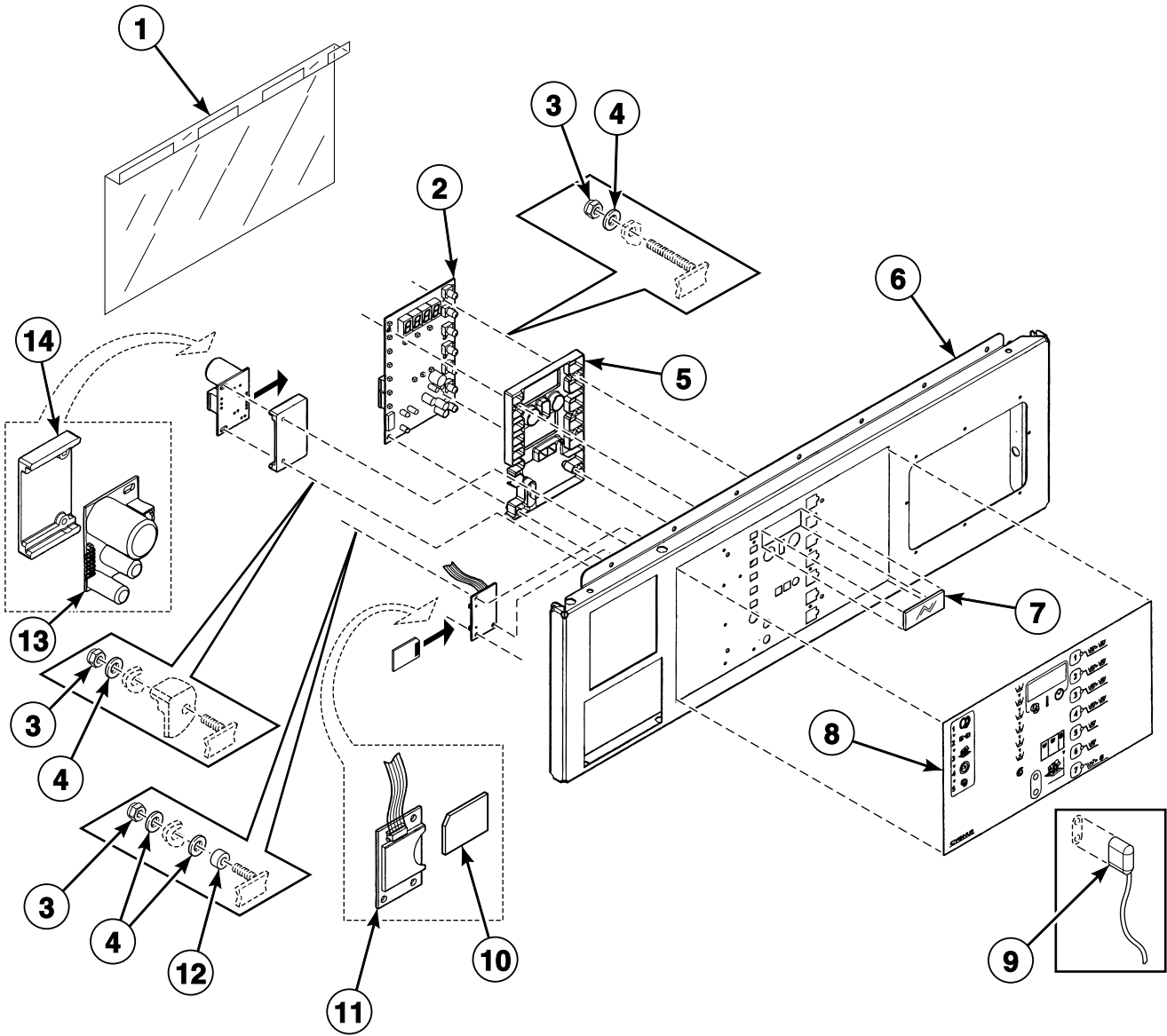


BE000874AP_D0884

Control Panel - Cygnus Standard/Commercial Coin

REF	PART NO.	DESCRIPTION	COMMENTS
1	229/00289/00	Circuit Board Cover	
2	209/02001/02	Printboard	
3	204/00116/00	Nut	
4	223/00123/00	Washer	
5	223/00330/00	Protection LED	
6	111/01819/00	Operating Panel	
7	225/00322/00	Plexi Frame	
8	225/10305/00	Operating Sticker	Models WFF135_CYGNUS-STANDARD_COIN, WFF165_CYGNUS-STANDARD_COIN, WF135_CYGNUS-STANDARD_COIN and WF165_CYGNUS-STANDARD_COIN
	225/10306/00	Operating Sticker	Models WFF135_CYGNUS-COMM_COIN, WFF165_CYGNUS-COMM_COIN, WF135_CYGNUS-COMM_COIN and WF165_CYGNUS-COMM_COIN
9	210/00901/00	Optic Cable	
10	209/02022/00	Datacard	
11	B12305201	Memory Card PC-Board	Models prior to 4/5/11 require a firmware upgrade
	B12538301	Data Card Ribbon Assembly	
12	211/00128/00	Printboard Separator	
13	209/02010/00	Door Lock PC-Board	
14	223/00374/00	Mounting Plate	

Control Panel - Cygnus Standard/Commercial Coin with Frontal Supply Dispenser

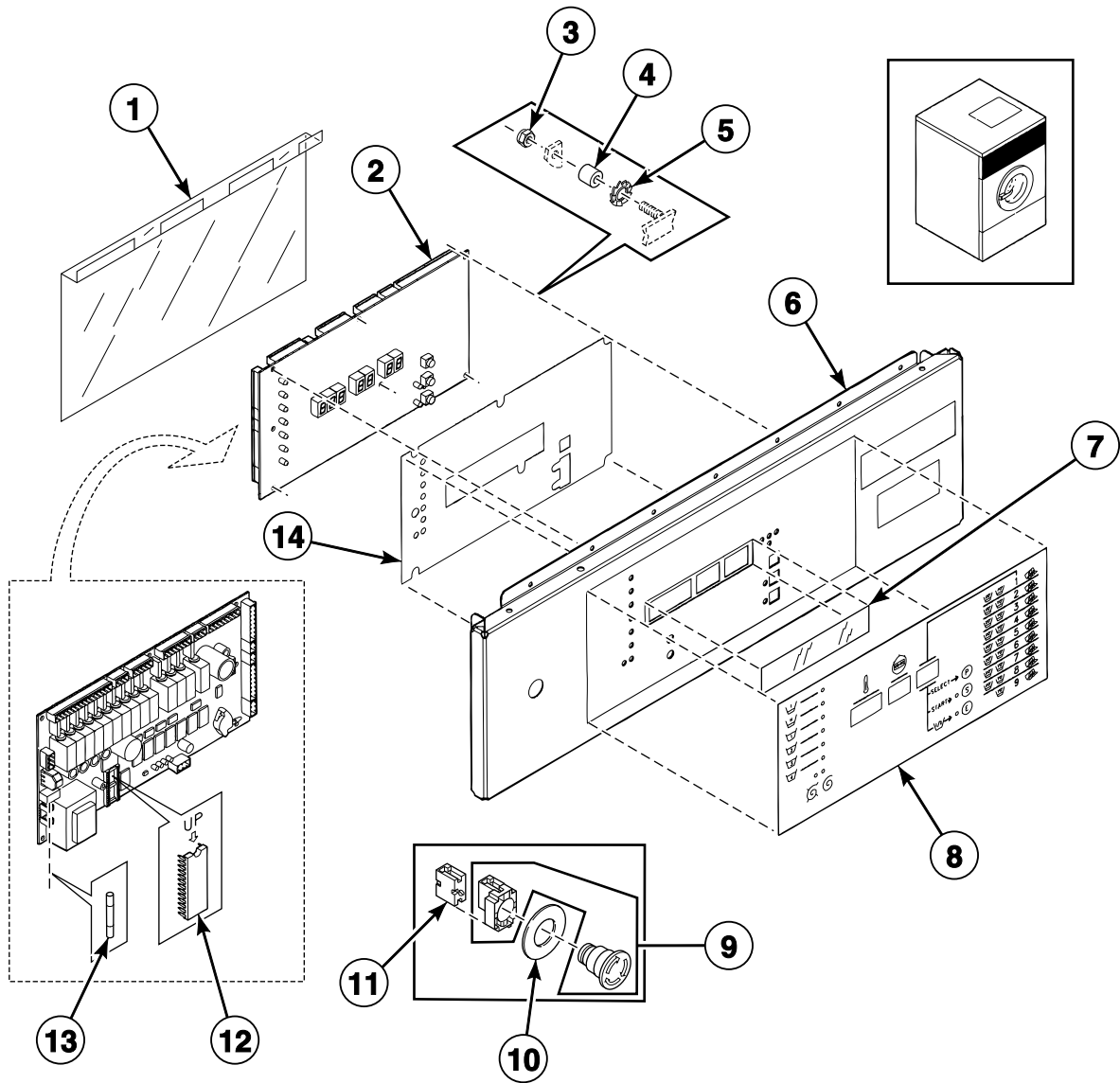


BE000869AP_D0884

Control Panel - Cygnus Standard/Commercial Coin with Frontal Supply Dispenser

REF	PART NO.	DESCRIPTION	COMMENTS
1	229/00289/00	Circuit Board Cover	
2	209/02001/02	Printboard	
3	204/00116/00	Nut	
4	223/00123/00	Washer	
5	223/00330/00	Protection LED	
6	111/01829/00	Operating Panel	
7	225/00322/00	Plexi Frame	
8	225/10305/00	Operating Sticker	Models WFF135_CYGNUS-STANDARD_COIN, WFF165_CYGNUS-STANDARD_COIN, WF135_CYGNUS-STANDARD_COIN and WF165_CYGNUS-STANDARD_COIN
	225/10306/00	Operating Sticker	Models WFF135_CYGNUS-COMM_COIN, WFF165_CYGNUS-COMM_COIN, WF135_CYGNUS-COMM_COIN and WF165_CYGNUS-COMM_COIN
9	210/00901/00	Optic Cable	
10	209/02022/00	Datacard	
11	B12305201	Memory Card PC-Board	Models prior to 4/5/11 require a firmware upgrade
	B12538301	Data Card Ribbon Assembly	
12	211/00128/00	Printboard Separator	
13	209/02010/00	Door Lock PC-Board	
14	223/00374/00	Mounting Plate	

Control Panel - Micro-20 OPL

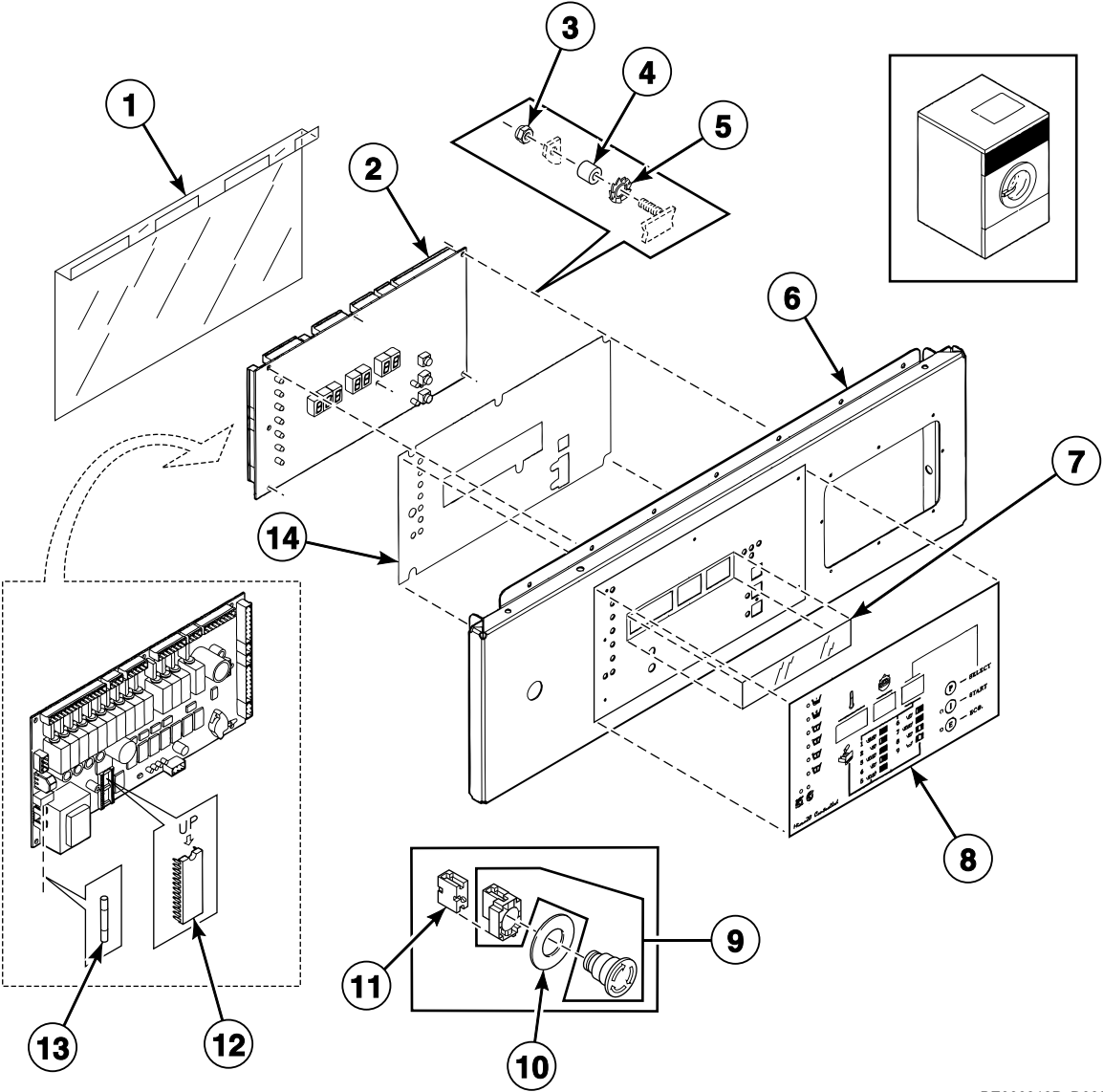


BE000620P_D0884

Control Panel - Micro-20 OPL

REF	PART NO.	DESCRIPTION	COMMENTS
1	229/00289/00	Circuit Board Cover	
2	209/00440/70	Printboard	220 Volt
	209/00440/80	Printboard	115 Volt
3	204/00116/00	Nut	
4	211/00122/00	Standoff	
5	203/00006/00	Washer	
6	111/01816/00	Upper Front Panel	
7	225/00316/00	Plexi Frame	
8	225/00407/00	Keypad Sticker	
9	209/00248/20	Mushroom Pushbutton	
10	209/00520/00	Telem Sticker	
11	209/00099/26	Contact Switch	
12	209/00266/01	Eprom	Standard software
13	209/00439/00	Fuse	500 mA
14	229/00255/00	Insulating Sticker	

Control Panel - Micro-20 OPL with Frontal Supply Dispenser

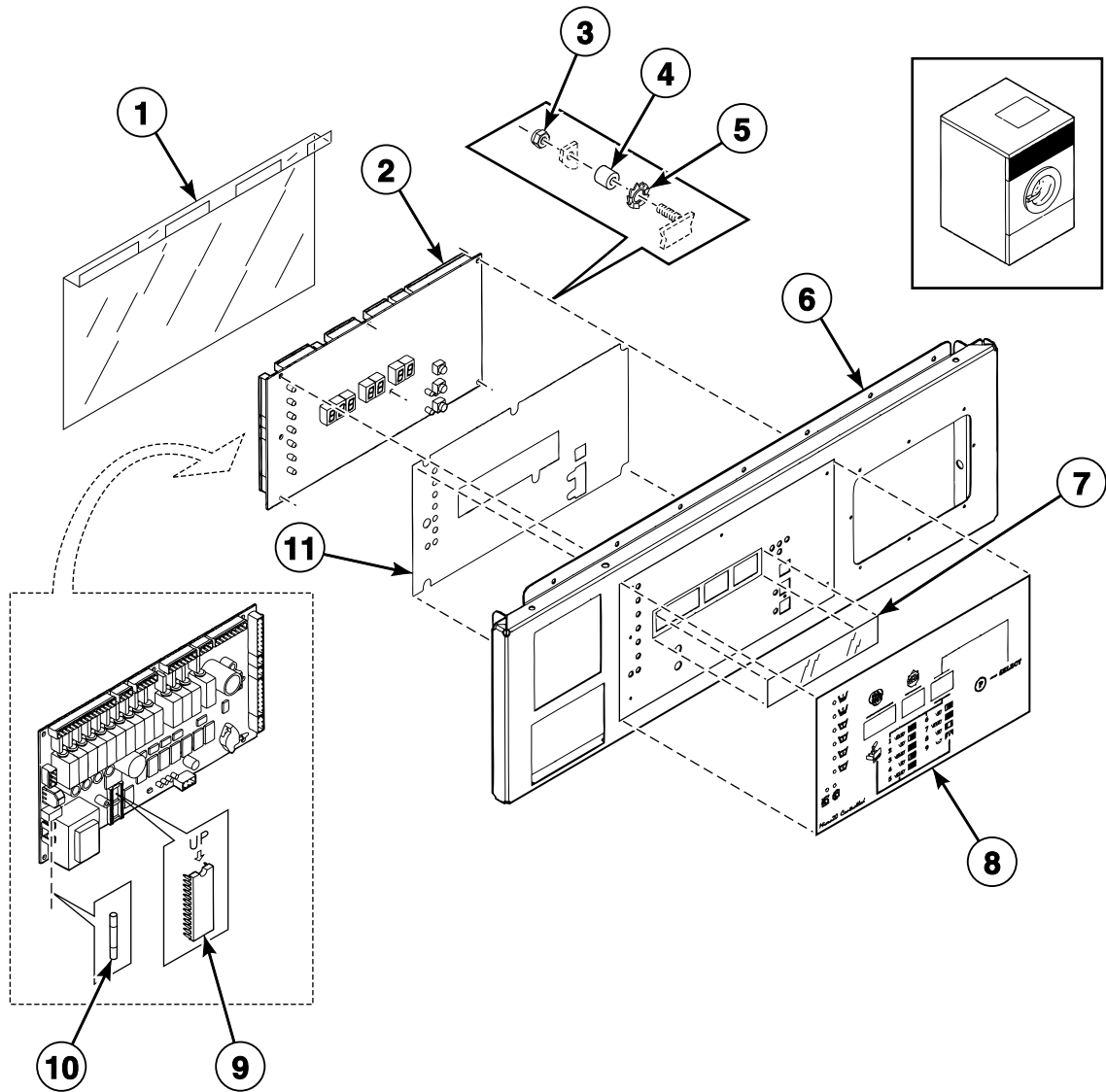


BE000818P_D0884

Control Panel - Micro-20 OPL with Frontal Supply Dispenser

REF	PART NO.	DESCRIPTION	COMMENTS
1	229/00289/00	Circuit Board Cover	
2	209/00440/70	Printboard	220 Volt
	209/00440/80	Printboard	115 Volt
3	204/00116/00	Nut	
4	211/00122/00	Standoff	
5	203/00006/00	Washer	
6	111/01825/00	Upper Front Panel	
7	225/00316/00	Plexi Frame	
8	225/00409/00	Operating Sticker	
9	209/00248/20	Mushroom Pushbutton	
10	209/00520/00	Telem Sticker	
11	209/00099/26	Contact Switch	
12	209/00266/01	Eprom	Standard software
13	209/00439/00	Fuse	500 mA
14	229/00255/00	Insulating Sticker	

Control Panel - Micro-20 Coin

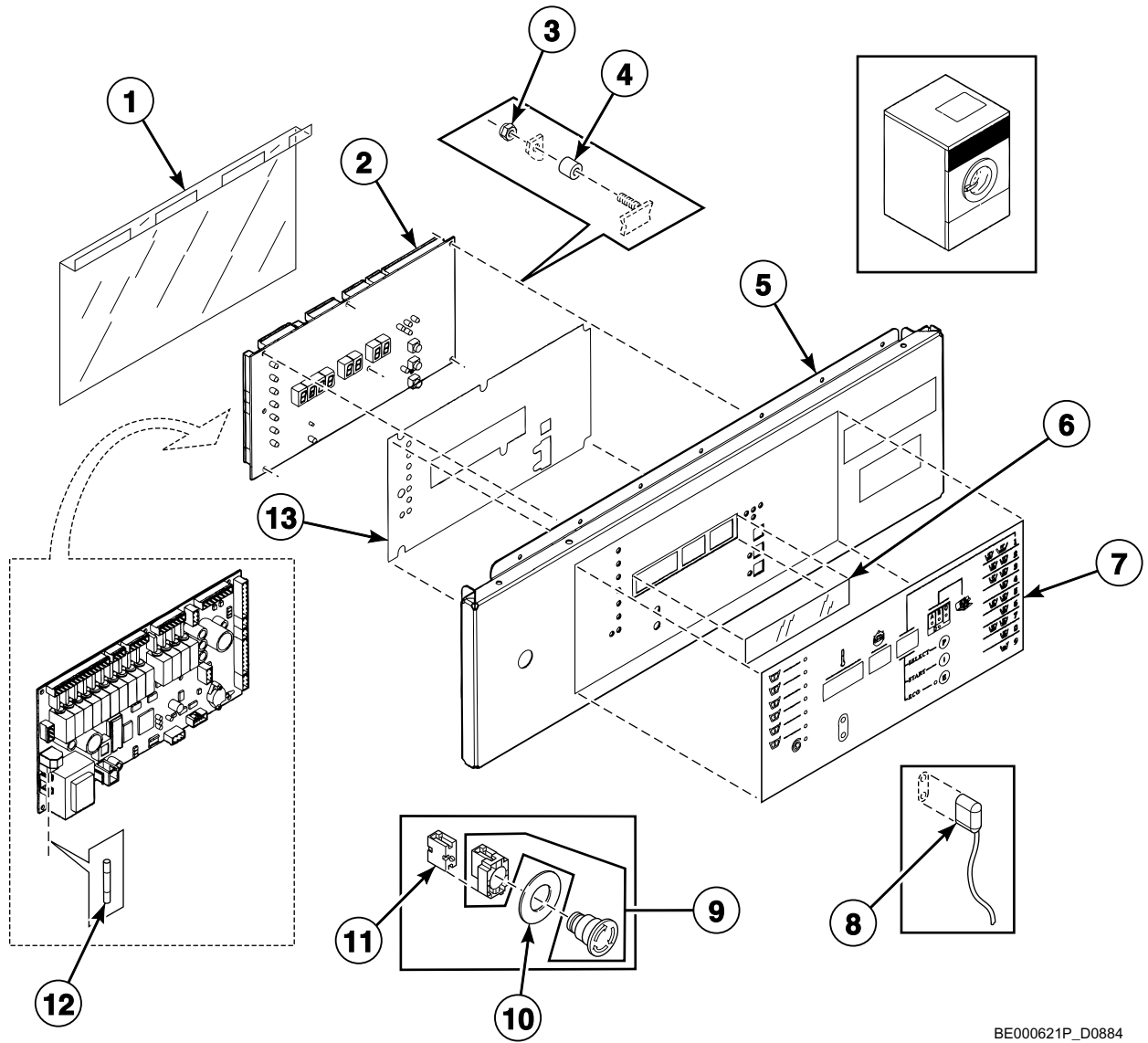


BE000819P_D0884

Control Panel - Micro-20 Coin

REF	PART NO.	DESCRIPTION	COMMENTS
1	229/00289/00	Circuit Board Cover	
2	209/00440/70	Printboard	220 Volt
	209/00440/80	Printboard	115 Volt
3	204/00116/00	Nut	
4	211/00122/00	Standoff	
5	203/00006/00	Washer	
6	111/01824/00	Upper Front Panel	
7	225/00316/00	Plexi Frame	
8	225/00410/00	Operating Sticker	
9	209/00266/01	Eprom	Standard software
10	209/00439/00	Fuse	500 mA
11	229/00255/00	Insulating Sticker	

Control Panel - Sigma OPL

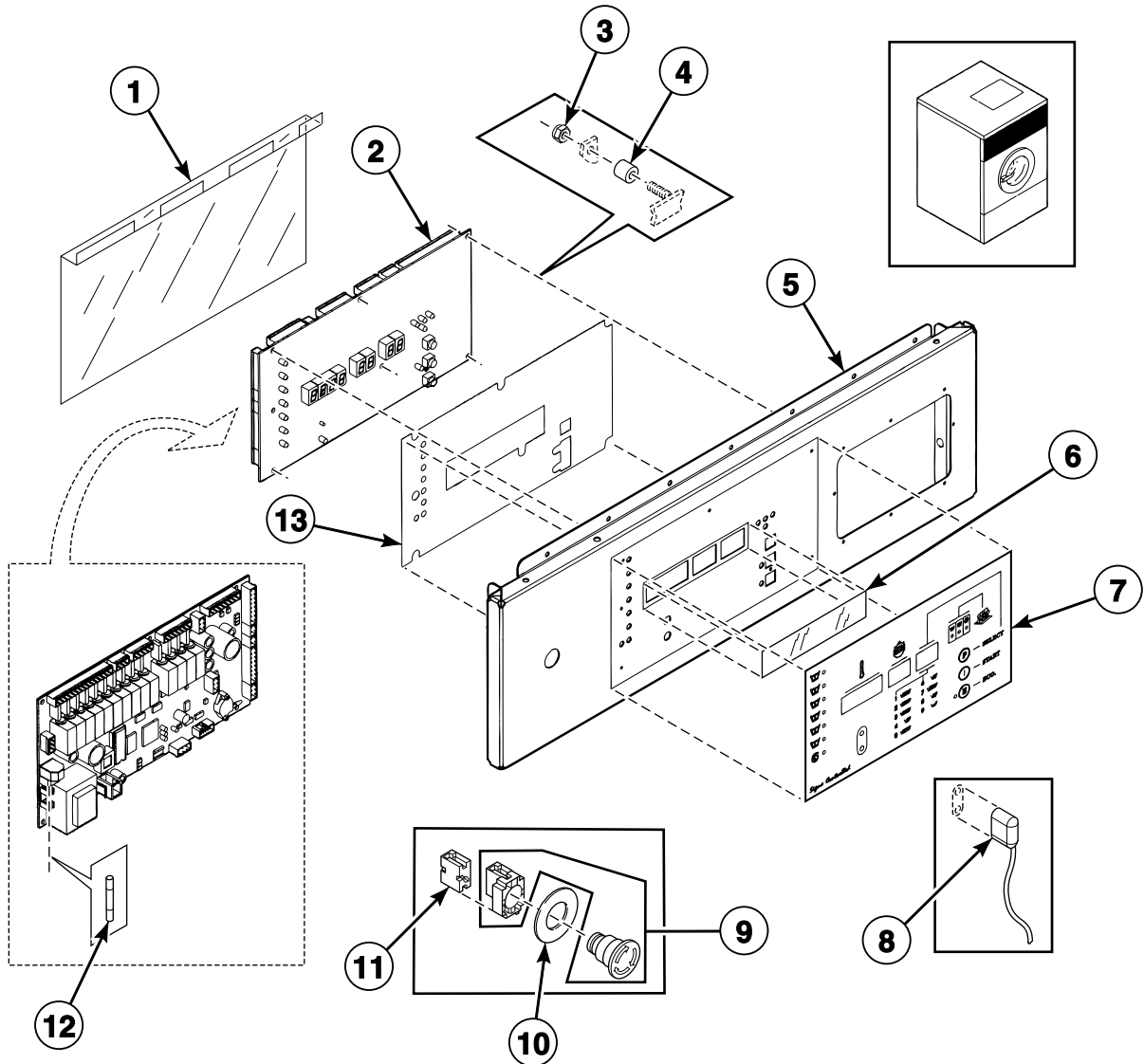


BE000621P_D0884

Control Panel - Sigma OPL

REF	PART NO.	DESCRIPTION	COMMENTS
1	229/00262/00	Circuit Board Cover	
2	209/00547/00	Control Board	
3	204/00116/00	Nut	
4	211/00122/00	Standoff	
5	111/01816/00	Upper Front Panel	
6	225/00316/00	Plexi Frame	
7	225/00404/00	Operating Sticker	
8	210/00902/00	Infrared Cable	
9	209/00248/20	Mushroom Pushbutton	
10	209/00520/00	Telem Sticker	
11	209/00099/26	Contact Switch	
12	209/00439/00	Fuse	500 mA
13	229/00255/00	Insulating Sticker	

Control Panel - Sigma OPL with Frontal Supply Dispenser

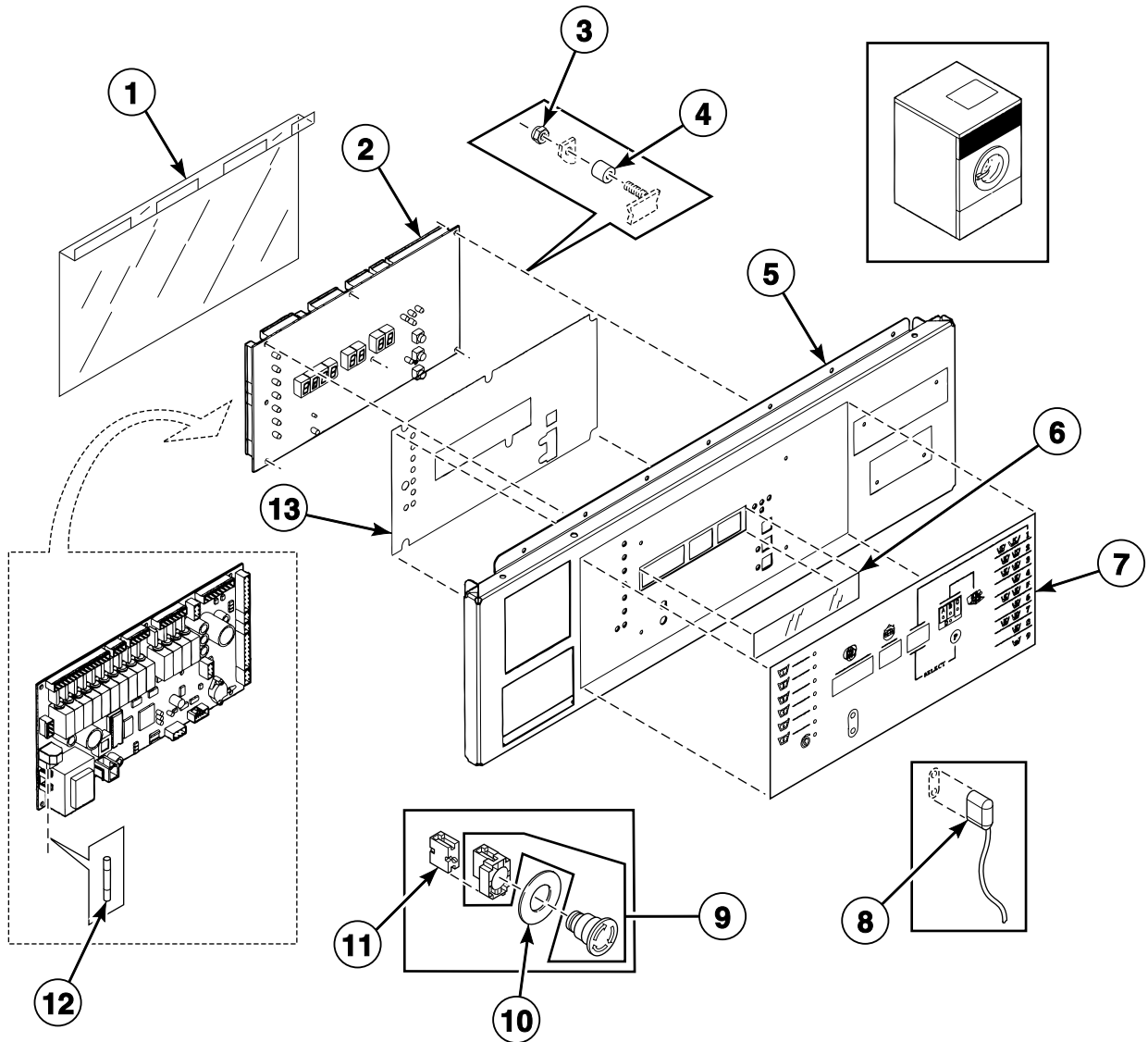


BE000816P_D0884

Control Panel - Sigma OPL with Frontal Supply Dispenser

REF	PART NO.	DESCRIPTION	COMMENTS
1	229/00262/00	Circuit Board Cover	
2	209/00547/00	Control Board	
3	204/00114/00	Nut	
4	211/00122/00	Standoff	
5	111/01825/00	Upper Front Panel	
6	225/00316/00	Plexi Frame	
7	225/10311/00	Operating Sticker	
8	210/00902/00	Infrared Cable	
9	209/00248/20	Mushroom Pushbutton	
10	209/00520/00	Telem Sticker	
11	209/00099/26	Contact Switch	
12	209/00439/00	Fuse	500 mA
13	229/00255/00	Insulating Sticker	

Control Panel - Sigma Coin

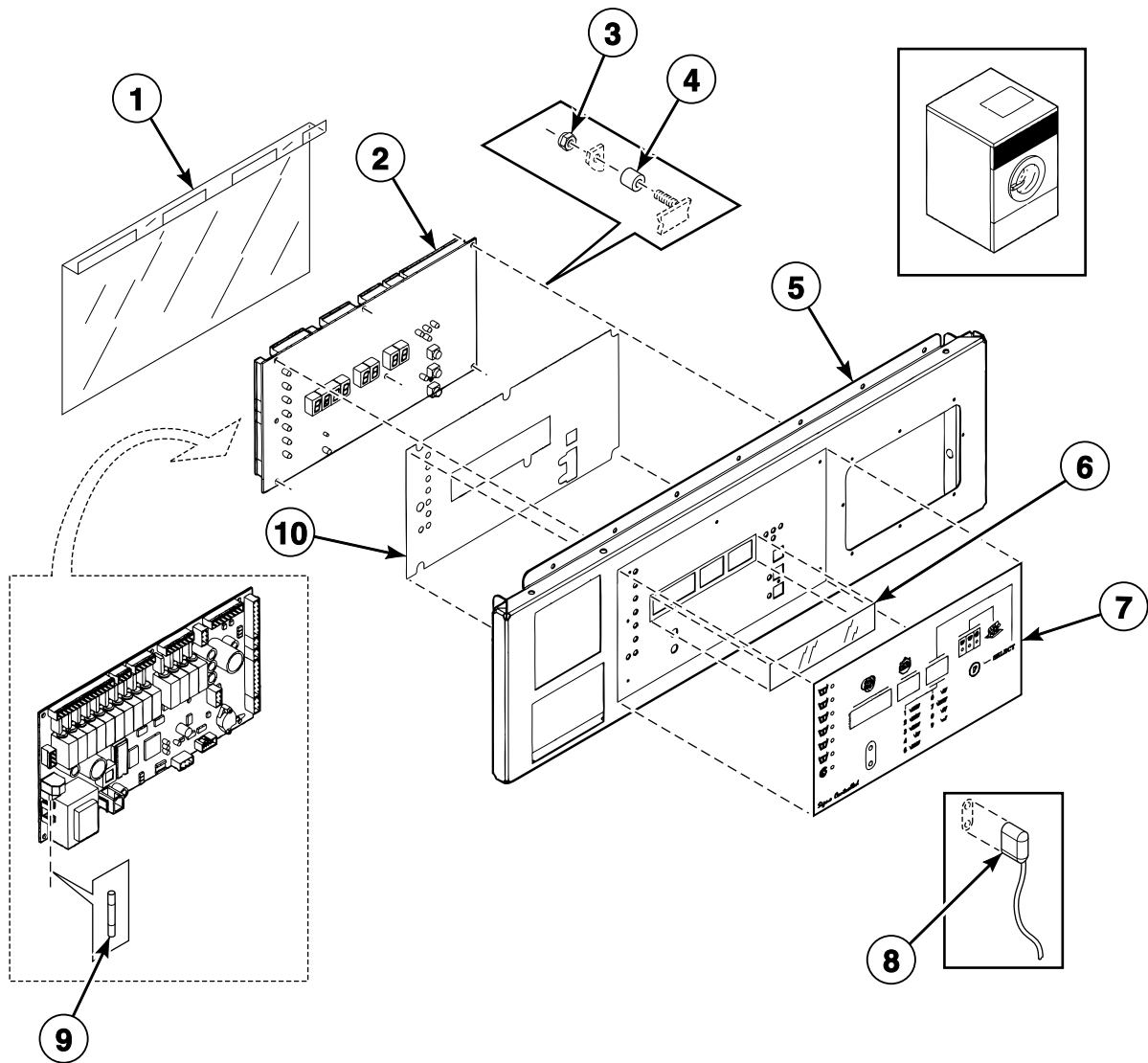


BE000629P_D0884

Control Panel - Sigma Coin

REF	PART NO.	DESCRIPTION	COMMENTS
1	229/00262/00	Circuit Board Cover	
2	209/00547/00	Control Board	
3	204/00114/00	Nut	
4	211/00122/00	Standoff	
5	111/01811/01	Upper Front Panel	
6	225/00316/00	Plexi Frame	
7	225/00403/00	Decal	
8	210/00902/00	Infrared Cable	
9	209/00248/20	Mushroom Pushbutton	
10	209/00520/00	Telem Sticker	
11	209/00099/26	Contact Switch	500 mA
12	209/00439/00	Fuse	
13	229/00255/00	Insulating Sticker	

Control Panel - Sigma Coin with Frontal Supply Dispenser

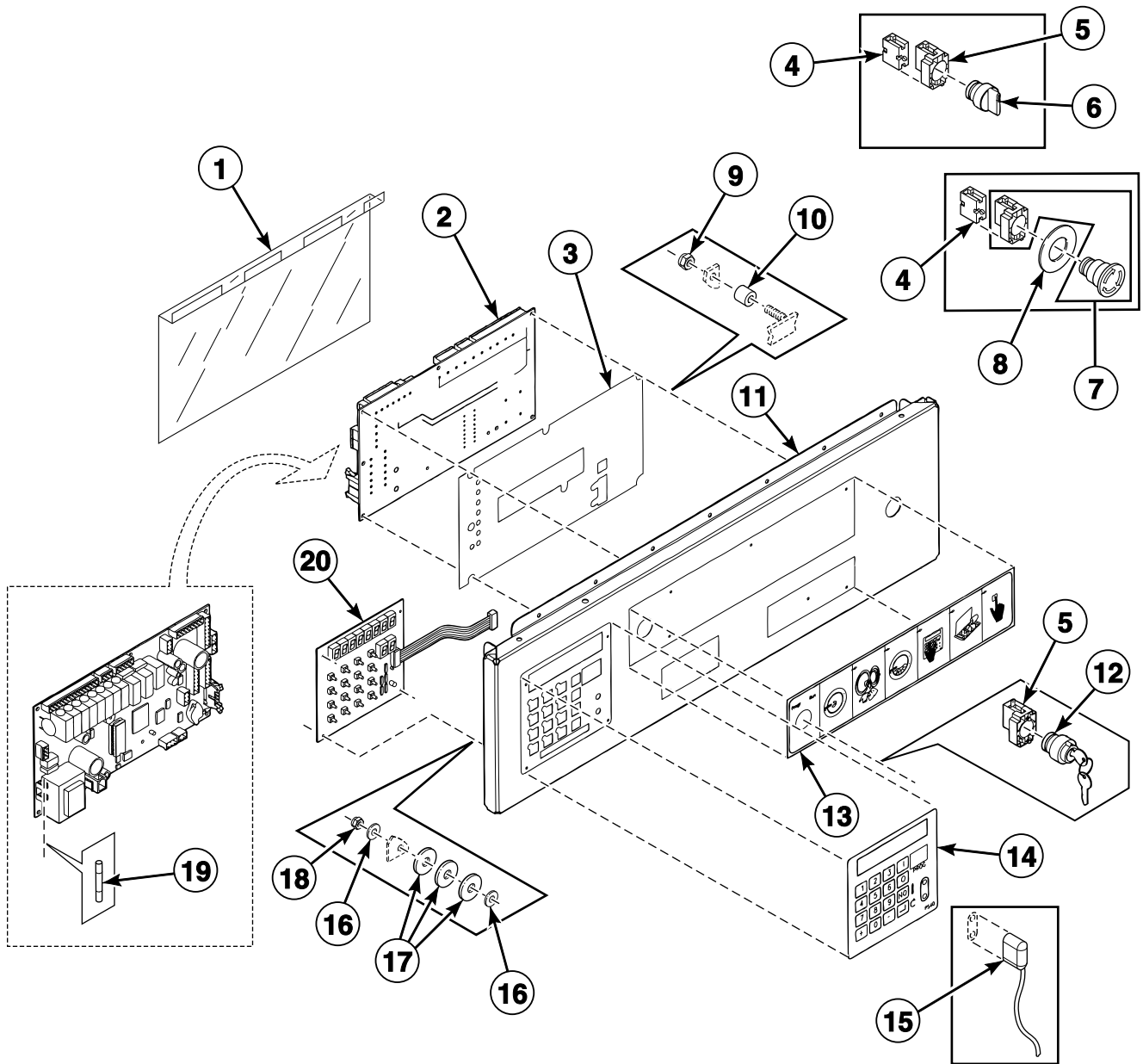


BE000817P_D0884

Control Panel - Sigma Coin with Frontal Supply Dispenser

REF	PART NO.	DESCRIPTION	COMMENTS
1	229/00262/00	Circuit Board Cover	
2	209/00547/00	Control Board	
3	204/00114/00	Nut	
4	211/00122/00	Standoff	
5	111/01824/00	Upper Front Panel	
6	225/00316/00	Plexi Frame	
7	225/10312/00	Operating Sticker	
8	210/00902/00	Infrared Cable	
9	209/00439/00	Fuse	500 mA
10	229/00255/00	Insulating Sticker	

Control Panel - PS40F

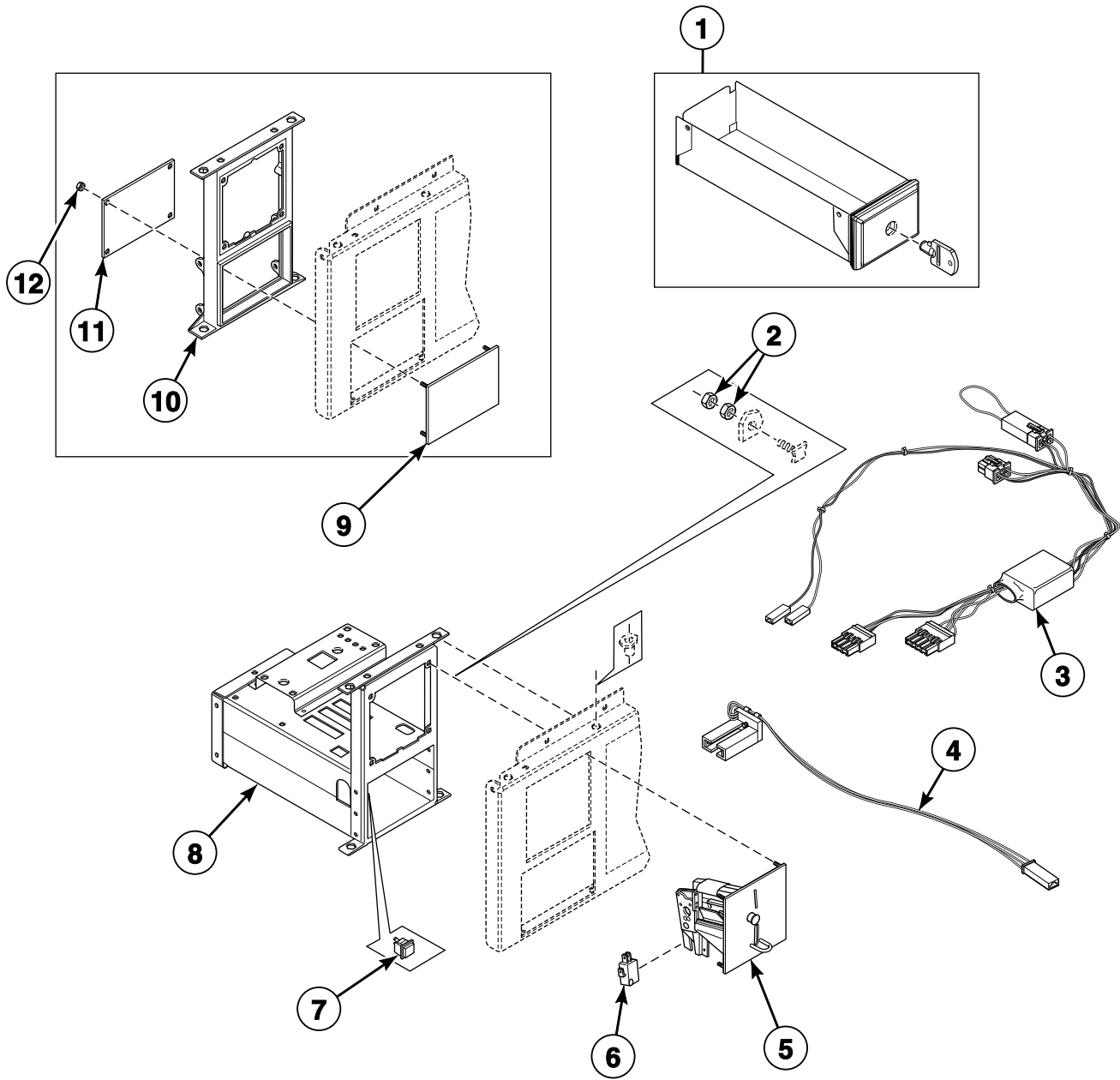


BE000622P_D0884

Control Panel - PS40F

REF	PART NO.	DESCRIPTION	COMMENTS
1	229/00262/00	Circuit Board Cover	
2	B12351701	Main Board	
3	229/00255/00	Insulating Sticker	
4	209/00099/26	Contact Switch	
5	209/00099/25	Switch Base	
6	209/00099/29	Switch Knob	
7	209/00248/20	Mushroom Pushbutton	
8	209/00520/00	Telem Sticker	
9	204/00116/00	Nut	
10	211/00122/00	Standoff	
11	111/01850/00	Facia Panel	
12	209/00326/20	Programming Key Contact Switch	
13	225/00400/00	Operating Sticker	
14	225/00397/00	Label	
15	210/00902/00	Infrared Cable	
16	223/00123/00	Washer	
17	223/00051/10	Washer	
18	204/00116/00	Nut	
19	209/00372/01	Fuse	
20	209/00552/01	Keypad	

Coin Drop - Mechanical Coin Meter

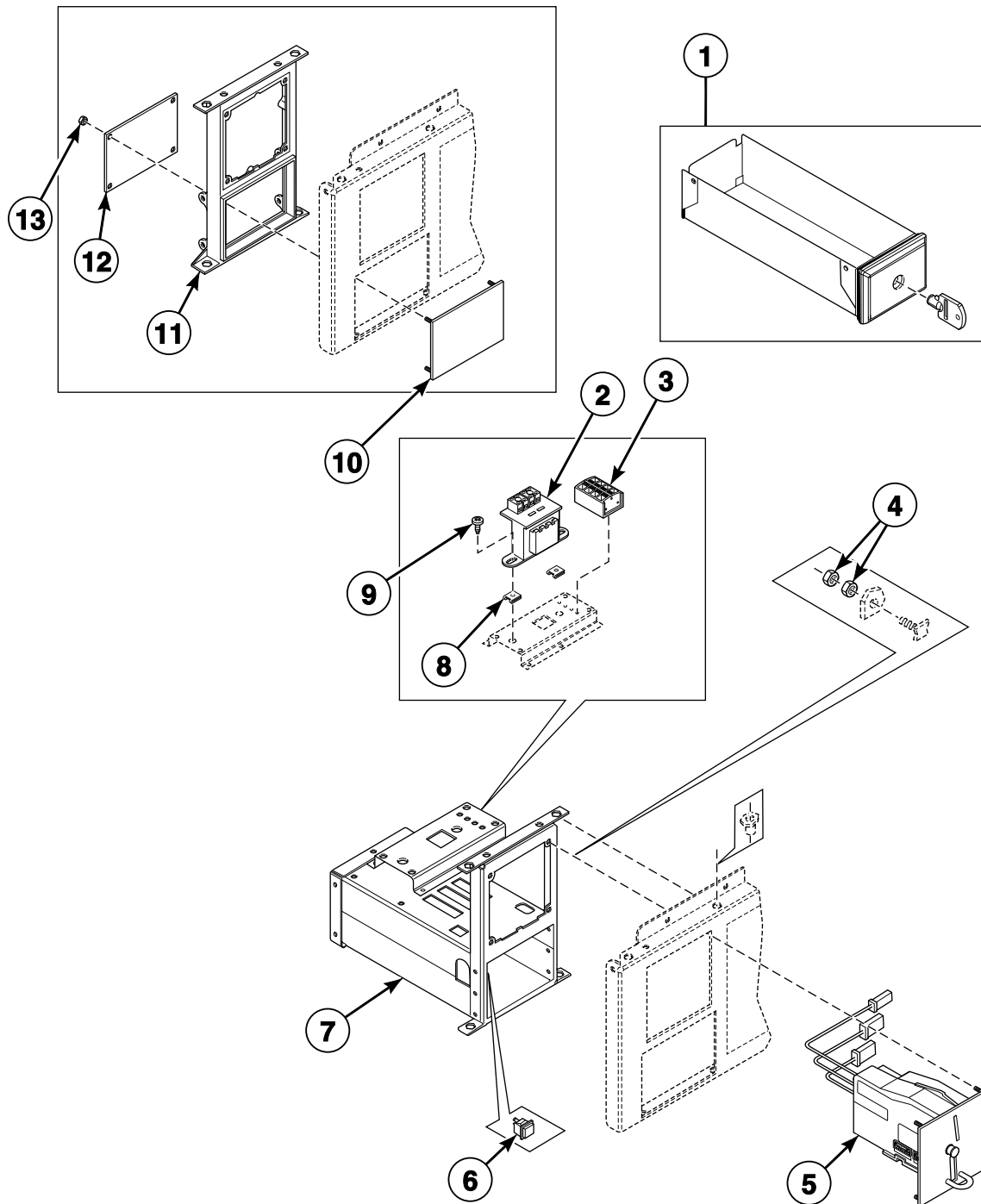


CFD512P_D0884

Coin Drop - Mechanical Coin Meter

REF	PART NO.	DESCRIPTION	COMMENTS
	B12388101	Single Drop Optical Sensor Kit	Includes items 3 and 4
	B12388102	Dual Drop Optical Sensor Kit	Includes items 3 and 4
1	254/00077/00	Coin Box	
	254/00077/02	Key	
2	204/00008/00	Nut	
3	B12359901	Wire Assembly	Micro-20 and Sigma models
4	209/00781/00	Optical Switch	Micro-20 and Sigma models
5	B12311224	Coin Drop	Mechanical; Jeton 5K
	B12311206	Coin Drop	Mechanical; Jeton 7K
	B12311201	Coin Drop	Mechanical; Jeton 10K
	B12311210	Coin Drop	Mechanical; Jeton 12K
	B12311252	Coin Drop	Mechanical; Jeton10K and .5 euro
	B12311211	Coin Drop	Mechanical; Jeton 7K and 1 euro
	B12323901	Coin Drop	Mechanical; Jeton 15K and 7K
	B12311204	Coin Drop	Mechanical; Jeton gettone
	B12311234	Coin Drop	Mechanical; Jeton crouzet
	B12311247	Coin Drop	Mechanical; Jeton 118-1
	B12311248	Coin Drop	Mechanical; Jeton 118-5
	B12311222	Coin Drop	Mechanical; 1 euro
	B12311214	Coin Drop	Mechanical; .5 euro
	B12311202	Coin Drop	Mechanical; .5 and 1 euro
	B12311239	Coin Drop	Mechanical; .5 and 2 euro
	B12311205	Coin Drop	Mechanical; .2 and 1 euro
	B12311218	Coin Drop	Mechanical; 1 and 1 euro
	B12311219	Coin Drop	Mechanical; 1 and 2 euro
	B12311203	Coin Drop	Mechanical; 1 and 2 frank
	B12311207	Coin Drop	Mechanical; 1 Deense kroon
	B12311225	Coin Drop	Mechanical; 10 Deense kronen
	B12311235	Coin Drop	Mechanical; 10 Tsjechische kronen
	B12311244	Coin Drop	Mechanical; 10 Noorse kronen
	B12311208	Coin Drop	Mechanical; 100 and 500 yen
	B12311212	Coin Drop	Mechanical; 15K
	B12311215	Coin Drop	Mechanical; 1 kro
	B12311226	Coin Drop	Mechanical; Australia; 1.00
	B12311216	Coin Drop	Mechanical; Australia; .20 and 1.00
	B12311220	Coin Drop	Mechanical; New Zealand; 1.00
	B12311221	Coin Drop	Mechanical; .5 and 2 zwitsers
	B12311241	Coin Drop	Mechanical; Hong Kong; 1.00
	B12311249	Coin Drop	Mechanical; Hong Kong; 5.00
	B12311301	Coin Drop	Mechanical; U.S.; \$.25 and \$1.00
	B12311302	Coin Drop	Mechanical; U.S.; \$.25 and \$1.00
	B12311304	Coin Drop	Mechanical; Canada; 1.00
	B12323401	Coin Drop	Mechanical; Singapore; 1.00
6	209/00600/01P	Switch	
7	209/00396/00	Pushbutton	
8	152/00112/00	Mechanical Coin Meter Housing	
9	111/01001/00	Top Panel	Gray
	111/01000/00	Front Plate	Black
10	217/00060/00	Fastening Piece	
11	111/01002/00	Backplate	
12	204/00116/00	Nut	

Coin Drop - Electronic Coin Meter

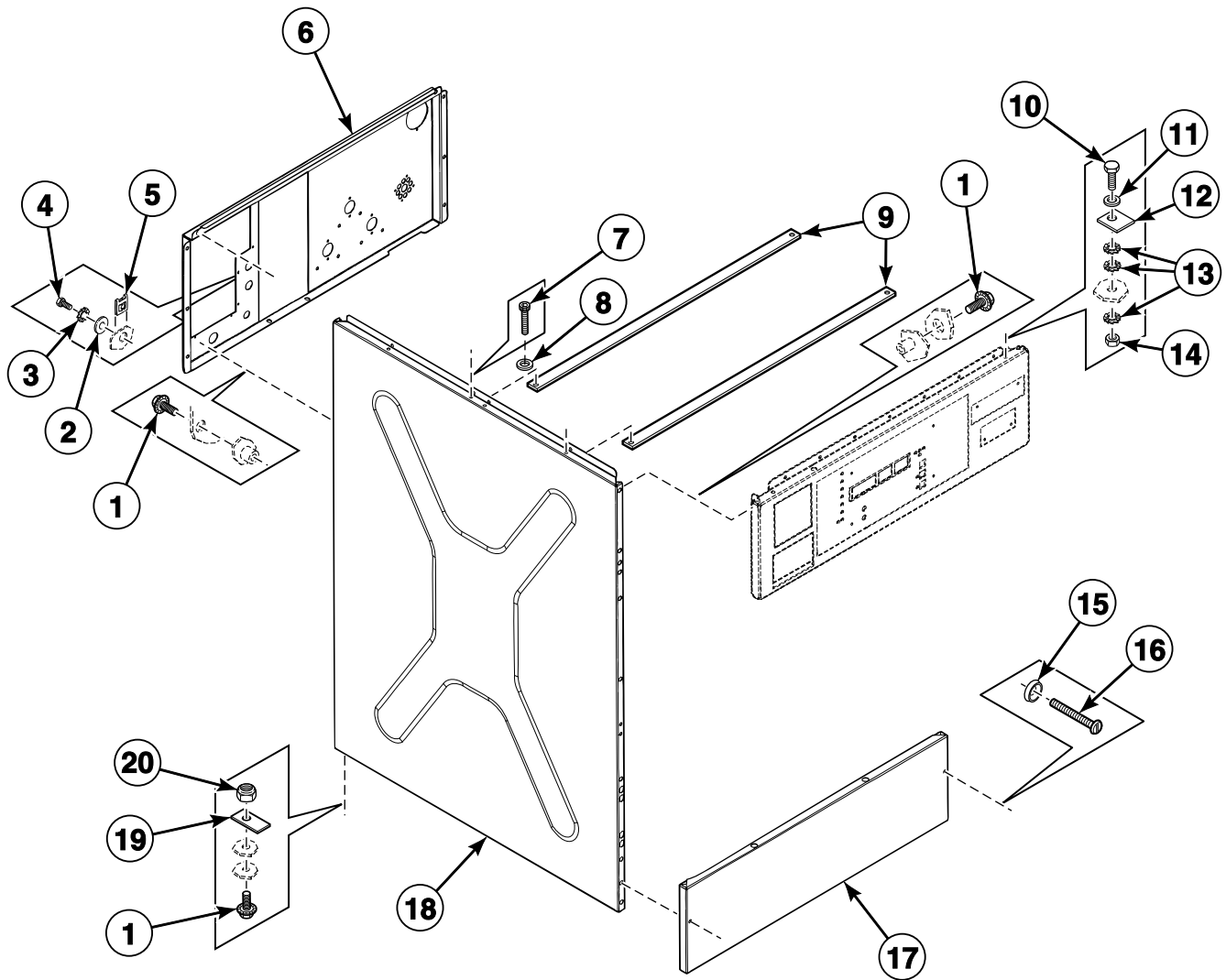


CFD511P_D0884

Coin Drop - Electronic Coin Meter

REF	PART NO.	DESCRIPTION	COMMENTS
1	254/00077/00	Coin Box	
	254/00077/02	Key	
2	209/00682/00	Transformer	
3	209/00683/00	Input Block	
4	204/00008/00	Nut	
5	B12311401	Coin Drop	Cygnus control models
6	209/00396/00	Pushbutton	
7	152/00112/50	Electronic Coin Meter Housing	
8	208/00002/00	Nut	
9	208/00014/00	Screw	
10	111/01001/00	Top Panel	Gray
	111/01000/00	Front Plate	Black
11	217/00060/00	Fastening Piece	
12	111/01002/00	Backplate	
13	204/00116/00	Nut	

Left Side, Lower Front and Upper Back Panels

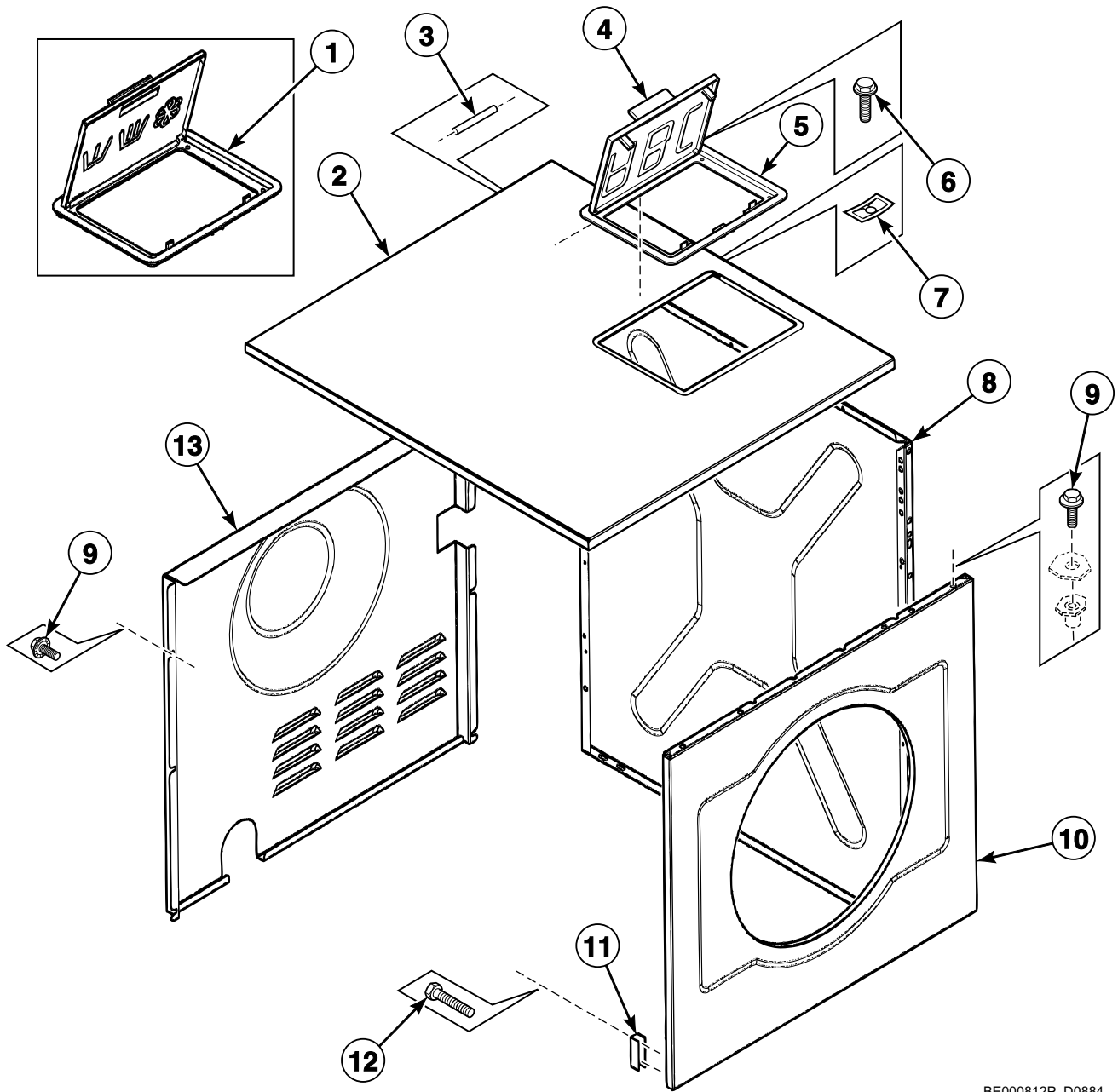


CFD488P_D0884

Left Side, Lower Front and Upper Back Panels

REF	PART NO.	DESCRIPTION	COMMENTS
1	206/00099/00	Bolt	
2	201/00006/00	Washer	
3	203/00015/00	Washer	
4	208/00014/00	Screw	
5	208/00025/00	Nut	
6	111/01833/00	Backbridge	
7	206/00166/00	Screw	
8	B12421401	Washer	
9	111/00970/00	Crossbar	
10	205/00106/00	Bolt	
11	202/00003/00	Washer	
12	117/00042/00	Retaining Ring	
13	203/00005/00	Washer	
14	204/00006/00	Nut	
15	208/00009/00	Washer	
16	207/00101/00	Screw	
17	111/01803/00	Lower Front Panel	
18	111/22723/10	Side Panel	*030 and *135 models; Left; Stainless steel
	111/22728/10	Side Panel	*035 and *165 models; Left; Stainless steel
	111/60035/00	Side Panel	*030 and *135 models; Left; Black
	111/60036/00	Side Panel	*165 models; Left; Black
	111/22723/60	Side Panel	CWF and WFF models; Left; Gray
19	101/00007/00	Outlet Pipe Plate Assembly	
20	204/00009/00	Nut	

Right Side, Front, Rear and Top Panels

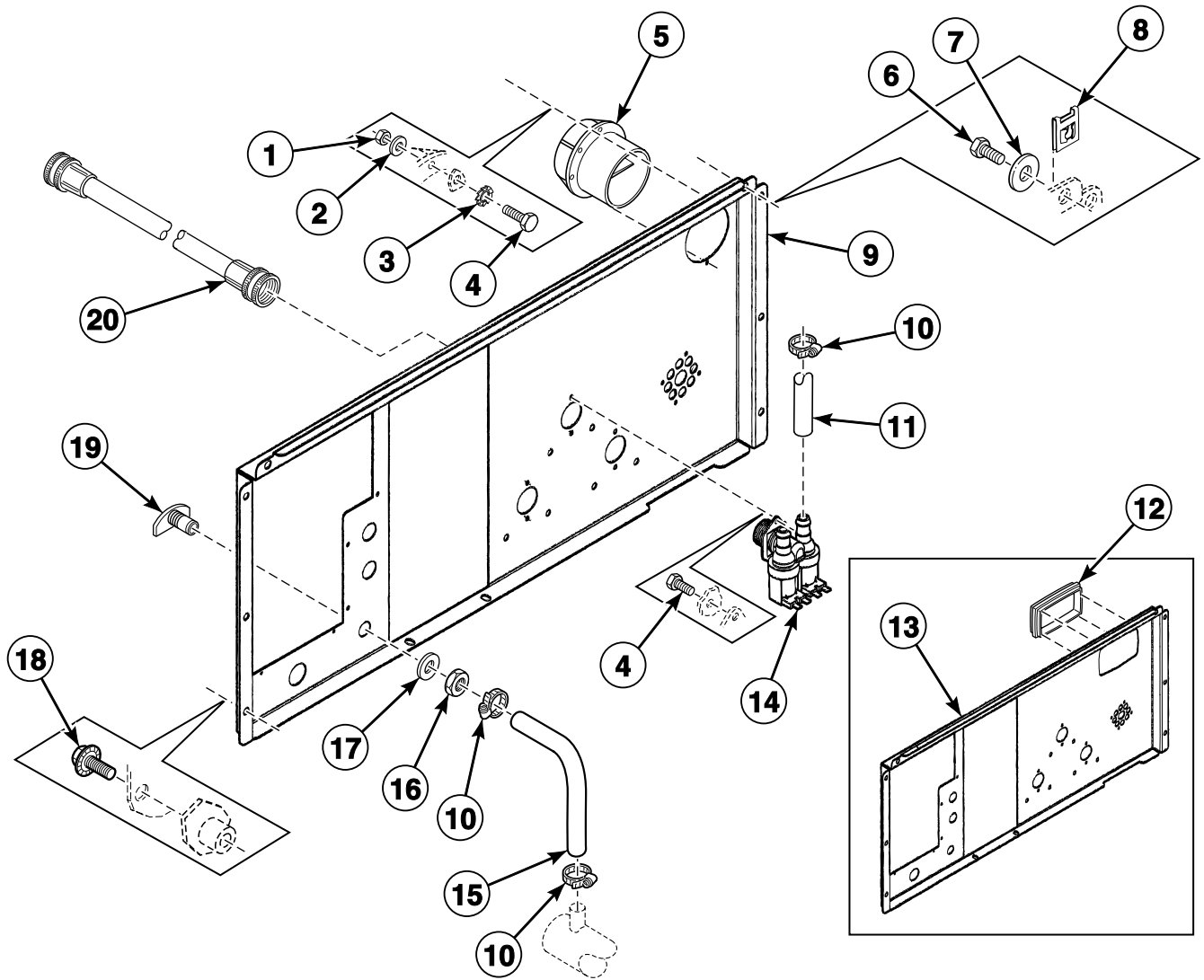


BE000812P_D0884

Right Side, Front, Rear and Top Panels

REF	PART NO.	DESCRIPTION	COMMENTS
1	223/00103/50	Soap Dispenser Cover	With symbols
2	111/22741/00	Top Panel	*030 and *135 models; With dispenser opening
	111/22741/01	Top Panel	*030 and *135 models; Without dispenser opening
	111/22743/00	Top Panel	*035 and *165 models; With dispenser opening
	111/22743/01	Top Panel	*035 and *165 models; Without dispenser opening
3	223/00103/04	Soap Dispenser Cover Hinge Rod	2 required
4	223/00103/01	Soap Dispenser Cover	
5	223/00103/03	Soap Dispenser Frame	
6	207/00125/00	Bolt	
7	208/00104/00	Nut	
8	111/22723/10	Side Panel	*030 and *135 models; Right; Stainless steel
	111/22728/10	Side Panel	*035 and *165 models; Right; Stainless steel
	111/60035/00	Side Panel	*030 and *135 models; Right; Black
	111/60036/00	Side Panel	*165 models; Right; Black
	111/22723/60	Side Panel	CWF and WFF models; Right; Gray
9	206/00099/00	Bolt	
10	111/00291/00	Front Panel	
11	111/10089/01	Reinforcement Plate	
12	206/00114/00	Bolt	
13	152/00053/02	Back Panel	

Water Inlet Valves

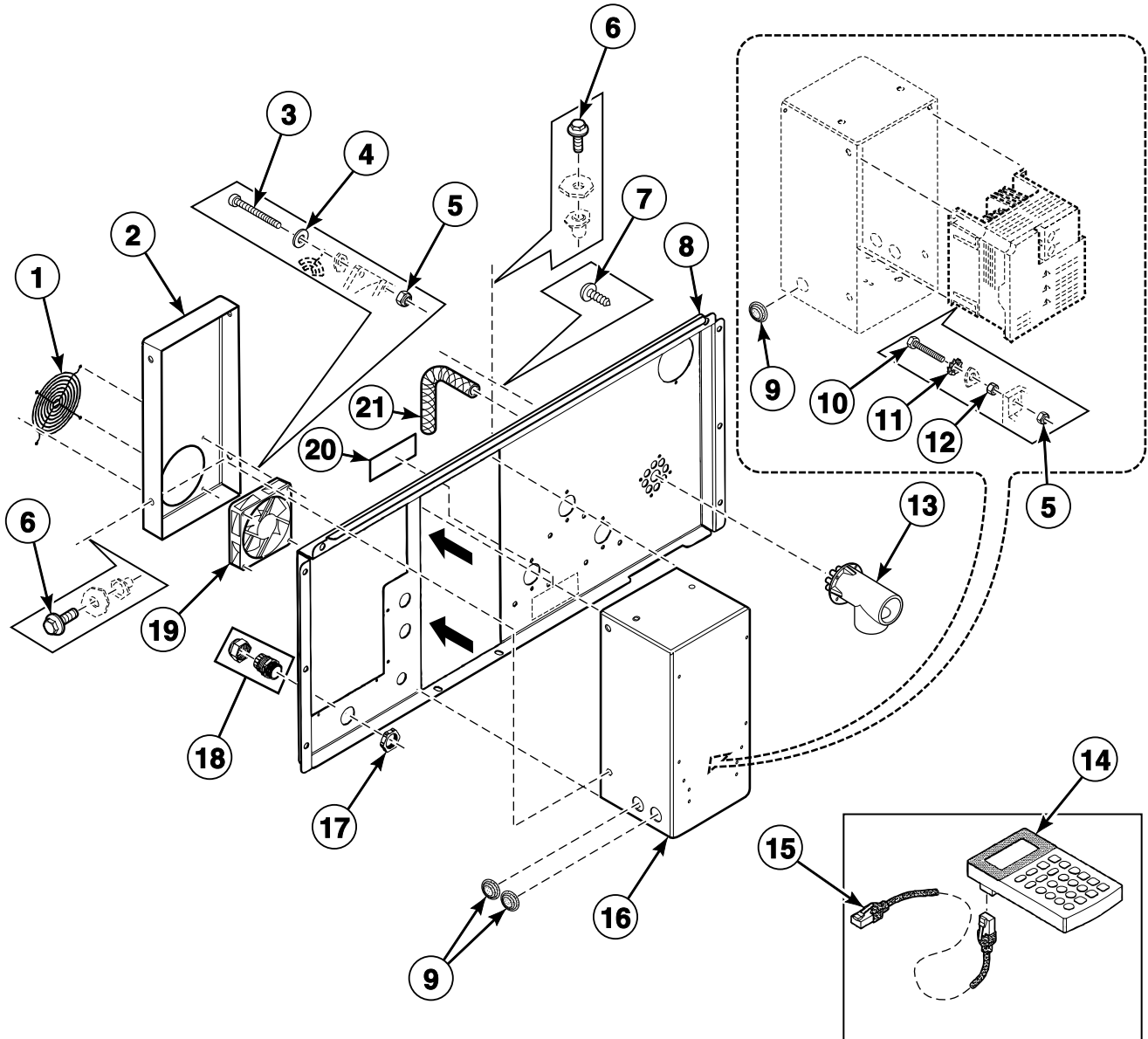


CFD341P_D0884

Water Inlet Valves

REF	PART NO.	DESCRIPTION	COMMENTS
1	204/00007/00	Nut	
2	202/00004/00	Washer	
3	203/00006/00	Washer	
4	206/00027/00	Bolt	
5	223/00102/07	Hose Vent	
6	208/00014/00	Screw	
7	201/00006/00	Washer	
8	208/00002/00	Nut	
9	111/01833/00	Backbridge	Circular ventilation
10	223/00010/00	Hose Clamp	
11	223/00044/00	Water Hose	
12	223/00226/00	Vent Tube	
13	111/01833/10	Backbridge	Rectangular ventilation
14	209/00110/00	2-Way Inlet Valve	Metric thread
	B12519501	2-Way Inlet Valve	Standard thread; G581P3 Repair Kit
15	223/00044/01	Water Hose	
16	204/00201/00	Nut	
17	201/00002/00	Washer	
18	206/00099/00	Bolt	
19	223/00001/04	Prewash and Mainwash Nozzle	
20	F200164	Water Hose	Standard thread
	F200166	Water Hose	Metric thread

Inverter Drive (Drawing 1 of 2)

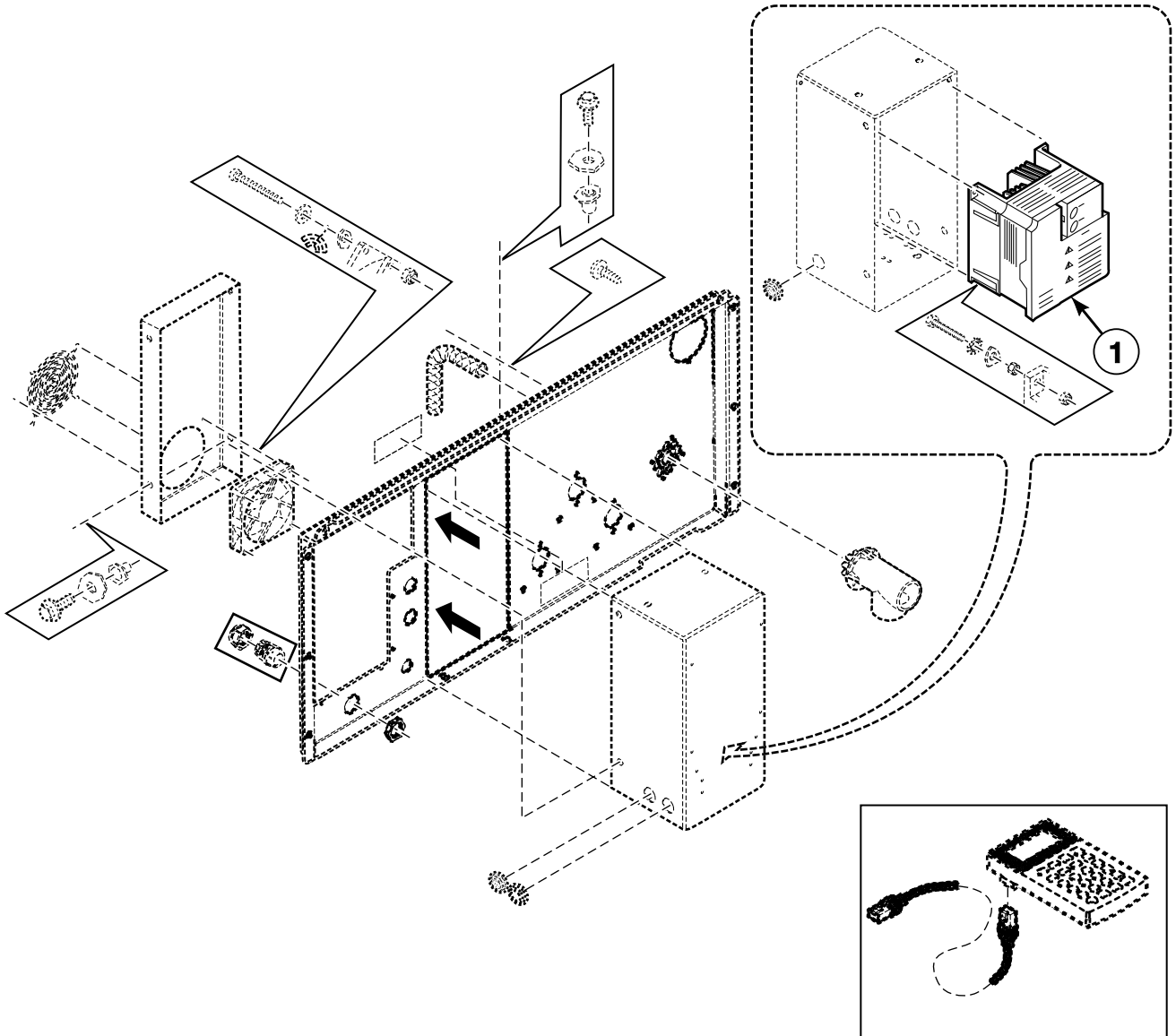


CFD463P_D0884

Inverter Drive (Drawing 1 of 2)

REF	PART NO.	DESCRIPTION	COMMENTS
1	209/00287/01	Fan Grill	
2	111/01174/01	Inverter Box Cover	
3	207/00121/00	Screw	
4	202/00004/00	Washer	
5	204/00114/00	Nut	
6	206/00099/00	Bolt	
7	208/00130/00	Screw	
8	111/01833/00	Backbridge	
9	223/00174/00	Grommet	
10	206/00088/00	Bolt	
11	203/00006/00	Washer	
12	204/00007/00	Nut	
13	223/00250/00	Liquid Soap Manifold	
14	227/00171/00	Parameter Unit Assembly	Hand held
	F8410901	Parameter Unit Assembly	Inverter mounted; Used with 500 series drives
15	227/00171/10	Parameter Unit Program Cable	
16	111/10425/00	Inverter Drive Box	Used with FR-E520 and FR-E540 series drives
	111/10425/50	Inverter Drive Box	Used with FR-D720 and FR-D740 series drives
17	271/35946/00	Nut	
18	271/35945/00	Nut	
19	209/00287/00	Cooling Fan	
20	B12355001	Voltage Discharge Decal	
21	223/00179/10	Pressure Hose	

Inverter Drive (Drawing 2 of 2)



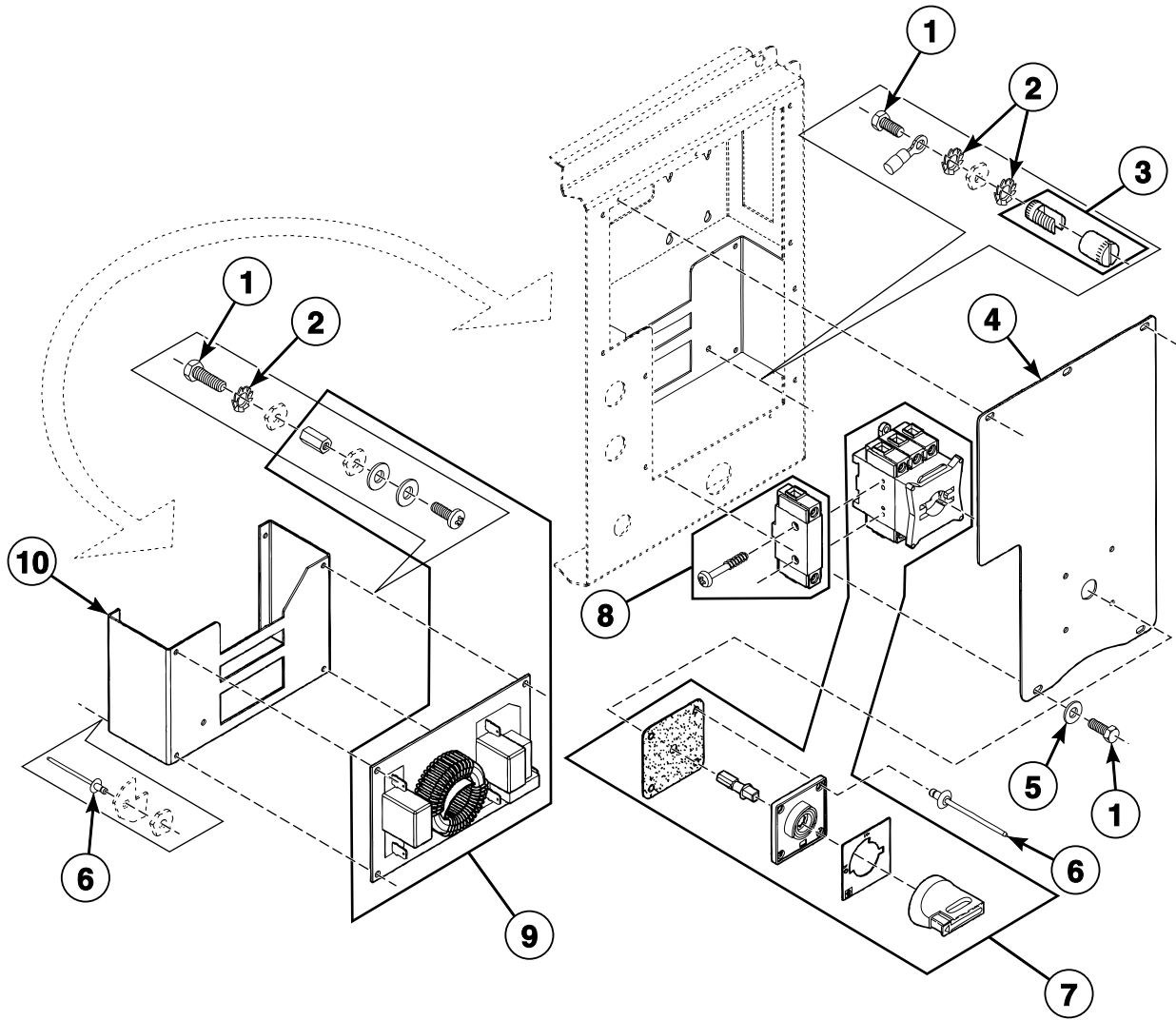
CFD463PA_D0884

Inverter Drive (Drawing 2 of 2)

REF	PART NO.	DESCRIPTION	COMMENTS
1	227/00228/00	Inverter Drive	IWF135, IWF165, WFF135, WF135 and WF165 Cygnus control models; FR-E520 series; 1x230 Volt
	227/00236/00	Inverter Drive	IWF135, IWF165, WFF135, WF135 and WF165 Cygnus control models; FR-D740 series; 3x400 Volt
	N/A	Inverter Drive	*165 medium speed models; FR-E520 series; 1x230 Volt
	227/00168/00	Inverter Drive	*165 medium speed models; FR-E540 series; 3x400 Volt
	227/00229/00	Inverter Drive	WFF165 Cygnus control models; FR-D720 series; 1x230 Volt
	227/00237/00	Inverter Drive	WFF165 Cygnus control models; FR-D740 series; 3x400 Volt
	227/00167/00	Inverter Drive	All other models; FR-E540 series; 3x400 Volt
	F8420313	Drive	700 series; IWF030 and IWF135 2 speed models; WF135 Micro-20, PS40F and Sigma control models; 200 Volt/1 Phase; Models with .75 kW motor
	F8420314	Drive	700 series; IWF030 and IWF135 2 speed models; WF135 Micro-20, PS40F and Sigma control models; 400 Volt/3 Phase; Models with .75 kW motor
	F8420317	Drive	700 series; CWF035 and IWF165 2 speed models; WF165 Micro-20, PS40F and Sigma control models; 200 Volt/1 Phase; Models with .75 kW motor
	F8420318	Drive	700 series; CWF035 and IWF165 2 speed models; WF165 Micro-20, PS40F and Sigma control models; 400 Volt/3 Phase; Models with .75 kW motor
	F8420507	Drive	700 series; IWF030 and IWF135 medium speed models; WFF135 Micro-20, PS40F and Sigma control models; 200 Volt/1 Phase; Models with 1.1 kW motor
	F8420508	Drive	700 series; IWF030 and IWF135 medium speed models; WFF135 Micro-20, PS40F and Sigma control models; 400 Volt/3 Phase; Models with 1.1 kW motor
	F8420511	Drive	700 series; CWF035, IWF035 and IWF165 medium speed models; WFF165 Micro-20, PS40F and Sigma control models; 200 Volt/1 Phase; Models with 1.1 kW motor
	F8420512	Drive	700 series; CWF035, IWF035 and IWF165 medium speed models; WFF165 Micro-20, PS40F and Sigma control models; 400 Volt/3 Phase; Models with 1.1 kW motor
	F8420213	Inverter Kit	700 series; IWF030 and IWF135 2 speed models; WF135 Micro-20, PS40F and Sigma control models; 200 Volt/1 Phase; Models with .75 kW motor; Includes F8420313 Drive, F8409501 Mounting Plate Assembly and F430903 Screw
	F8420214	Inverter Kit	700 series; IWF030 and IWF135 2 speed models; WF135 Micro-20, PS40F and Sigma control models; 400 Volt/3 Phase; Models with .75 kW motor; Includes F8420314 Drive, F8409501 Mounting Plate Assembly and F430903 Screw
	F8420217	Inverter Kit	700 series; CWF035 and IWF165 2 speed models; WF165 Micro-20, PS40F and Sigma control models; 200 Volt/1 Phase; Models with .75 kW motor; Includes F8420317 Drive, F8409501 Mounting Plate Assembly and F430903 Screw
	F8420218	Inverter Kit	700 series; CWF035 and IWF135 2 speed models; WF165 Micro-20, PS40F and Sigma control models; 400 Volt/3 Phase; Models with .75 kW motor; Includes F8420318 Drive, F8409501 Mounting Plate Assembly and F430903 Screw
	F8420407	Inverter Kit	700 series; IWF030 and IWF135 medium speed models; WFF135 Micro-20, PS40F and Sigma control models; 200 Volt/1 Phase; Models with 1.1 kW motor; Includes F8420507 Drive, F8409501 Mounting Plate Assembly and F430903 Screw
	F8420408	Inverter Kit	700 series; IWF030 and IWF135 medium speed models; WFF135 Micro-20, PS40F and Sigma control models; 400 Volt/3 Phase; Models with 1.1 kW motor; Includes F8420508 Drive, F8409501 Mounting Plate Assembly and F430903 Screw
	F8420411	Inverter Kit	700 series; CWF035, IWF035 and IWF165 medium speed models; WFF165 Micro-20, PS40F and Sigma control models; 200 Volt/1 Phase; Models with 1.1 kW motor; Includes F8420511 Drive, F8409501 Mounting Plate Assembly and F430903 Screw
	F8420412	Inverter Kit	700 series; CWF035, IWF035 and IWF165 medium speed models; WFF165 Micro-20, PS40F and Sigma control models; 400 Volt/3 Phase; Models with 1.1 kW motor; Includes F8420512 Drive, F8409501 Mounting Plate Assembly and F430903 Screw

N/A = Part no longer available

Main Switch and Noise Filter

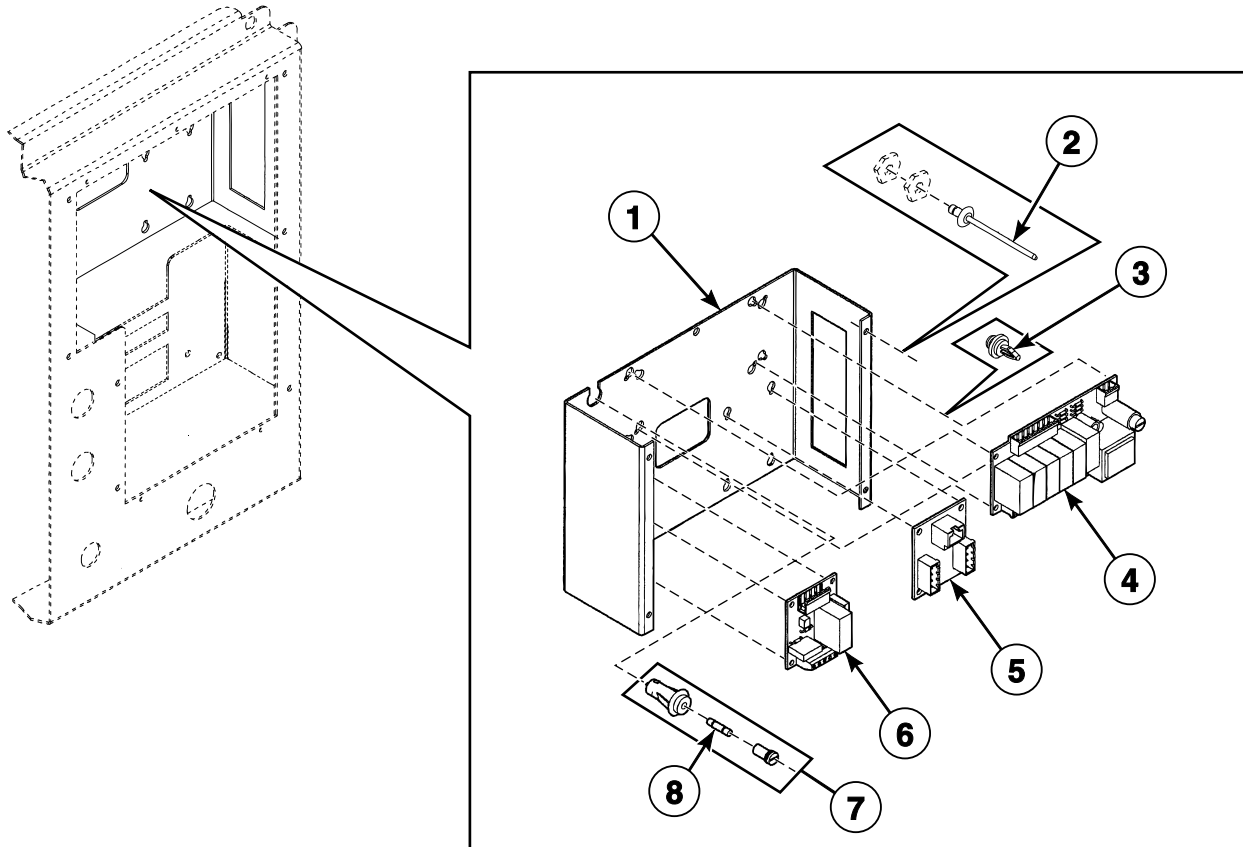


BE000799P_D0884

Main Switch and Noise Filter

REF	PART NO.	DESCRIPTION	COMMENTS
1	206/00027/00	Bolt	
2	203/00006/00	Washer	
3	209/00006/01	Ground Terminal	
4	111/01834/00	Main Switch Cover	
5	202/00004/00	Washer	
6	208/00017/00	Rivet	
7	209/00529/00	Main Switch	25A
	209/00672/00	Main Switch	40A
	209/00526/00	Main Switch	80A
8	209/00530/00	Terminal Block	25A
	209/00527/00	Terminal Block	63/80A
9	227/00177/00	Filter	16A1
	227/00242/00	Noise Filter	16A3
	227/00179/00	Filter	40A3
	227/00180/00	Filter	45A1
	227/00183/00	Filter	53A3
10	111/01837/01	Filter Bracket	

Central Operating Panel, Network Connection and Soap Injection Printboards

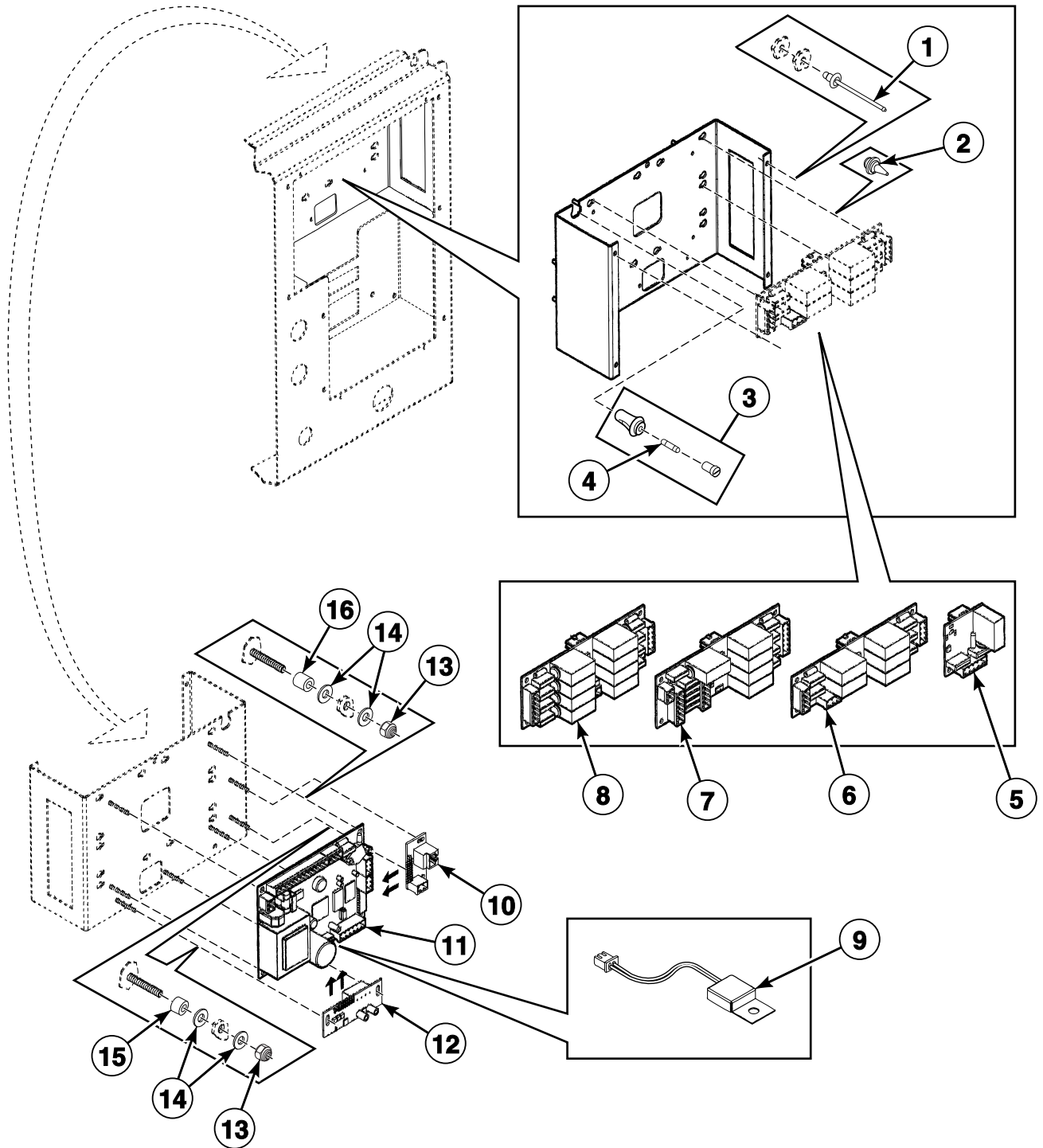


BE000800P_D0884

Central Operating Panel, Network Connection and Soap Injection Printboards

REF	PART NO.	DESCRIPTION	COMMENTS
1	111/01838/10	Printboard Support	
2	208/00017/00	Rivet	
3	211/00146/00	Standoff	
4	209/00218/13	Soap Injection PCB with Fuse	
5	209/00540/01	Network Connection Printboard	
6	209/00438/50	Central Control Board	
7	209/00202/00	Fuse Holder	
	209/00202/01	Fuse Holder	Includes item 8
8	209/00468/00	Fuse	3 Amp

Relay, Network Connection and Main Printboards - Cygnus Models

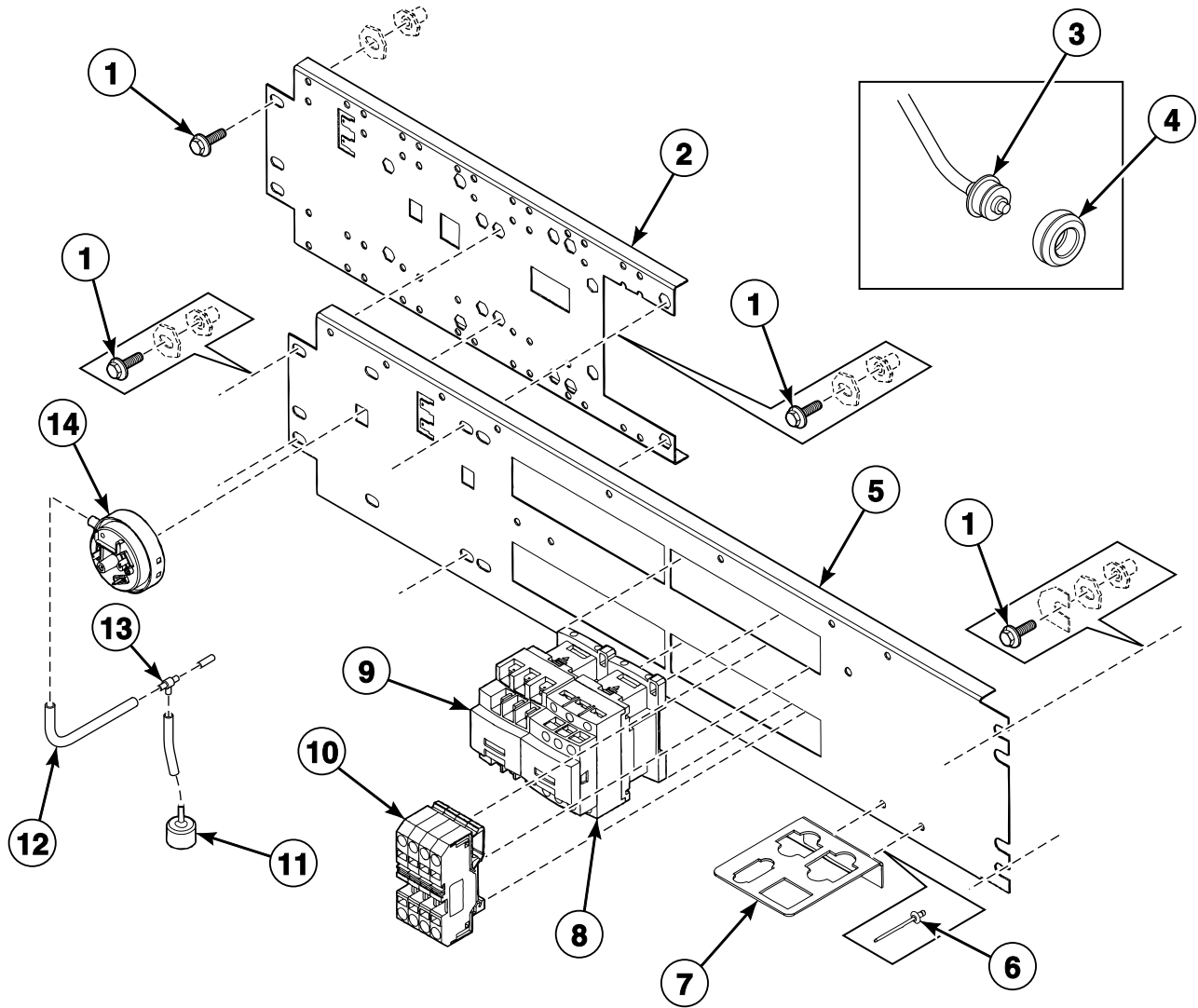


BE000801AP_D0884

Relay, Network Connection and Main Printboards - Cygnus Models

REF	PART NO.	DESCRIPTION	COMMENTS
1	208/00017/00	Rivet	
2	211/00146/00	Standoff	
3	209/00202/00	Fuse Holder	
	209/00202/01	Fuse Holder	Includes item 4
4	209/00468/00	Fuse	3 Amp
5	209/02016/00	Relay PC-Board	1-1
6	209/02005/00	Detergent PC-Board	1-5
7	209/02014/00	Relay PC-Board	5-5
8	209/02008/00	Detergent PC-Board	1-8
9	209/02020/00	ID Chip	
10	209/02006/00	Inverter PC-Board	
11	209/02025/00	Microprocessor	
12	209/02007/00	Network Connection Printboard	
13	204/00116/00	Nut	
14	223/00123/00	Washer	
15	211/00128/00	Printboard Separator	
16	211/00122/00	Standoff	

Electrical Component Mounting Plate

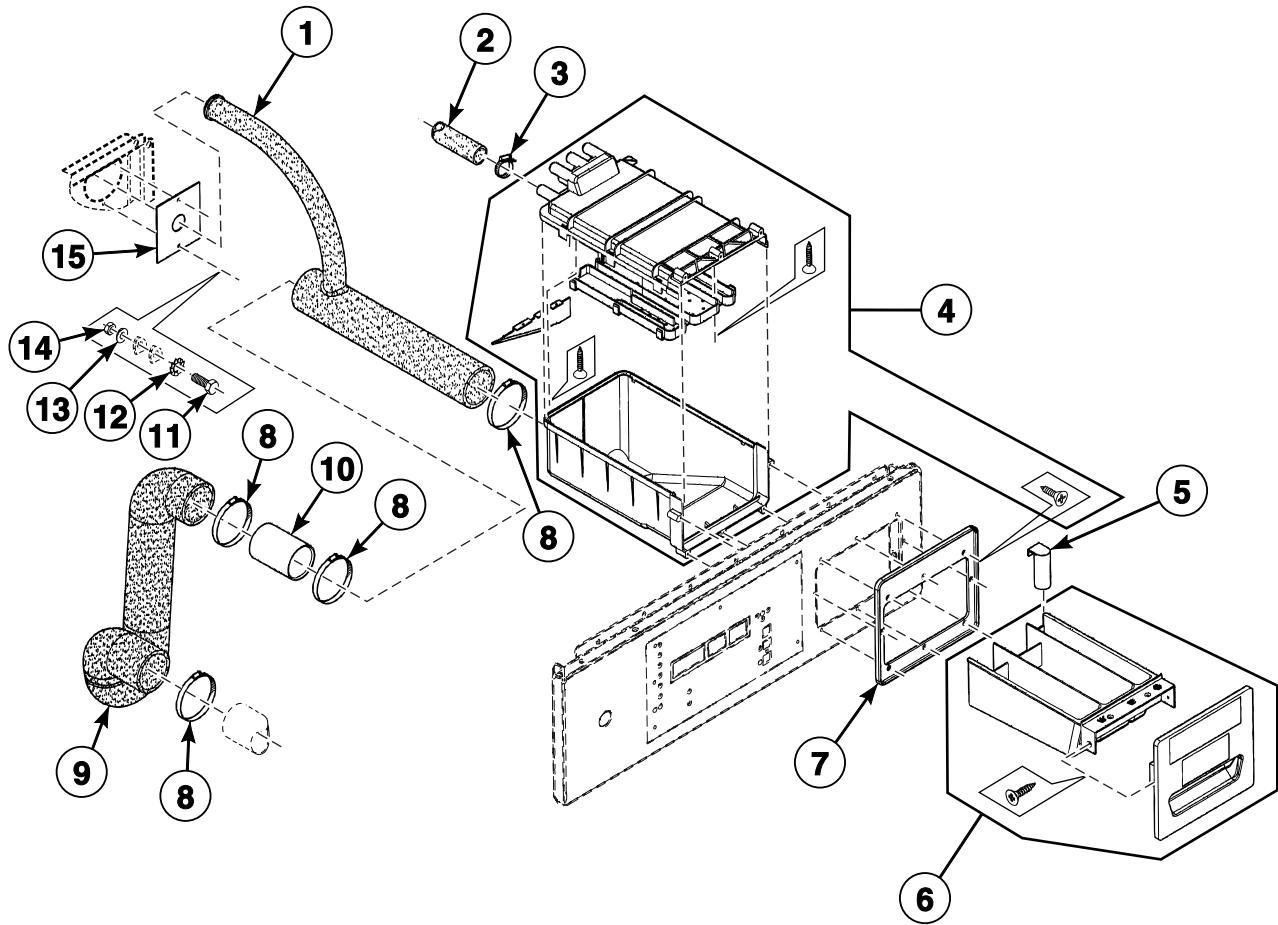


BE000802P_D0884

Electrical Component Mounting Plate

REF	PART NO.	DESCRIPTION	COMMENTS
1	206/00099/00	Bolt	
2	111/10003/40	Electrical Component Mounting Plate	
3	210/01064/16	Thermostat	
4	225/10004/00	Thermostat Seal	
5	111/10003/30	Electrical Component Mounting Plate	
6	208/00017/00	Rivet	
7	111/10003/10	Support Connector	
8	209/06148/02	Heating Contactor	LC1D18P7
9	209/00641/04	Heating Contactor	LC1D0901M7
10	209/00619/00	Overload Contactor	2 pole; 6 mm; Gray
	209/00620/00	Overload Contactor	2 pole; 6 mm; Blue
	209/00621/00	Overload Contactor	3 pole; 6 mm; Blue
	209/00622/00	Overload Contactor	3 pole; 6 mm; Gray
	209/00623/00	Overload Contactor	2 pole; 10 mm; Gray
	209/00624/00	Overload Contactor	2 pole; 10 mm; Blue
	209/00625/00	Overload Contactor	3 pole; 10 mm; Gray
	209/00619/01	Connection Clamp	2 pole; 6 mm
	209/00622/01	Connection Clamp	3 pole; 6 mm
	209/00625/01	Connection Clamp	3 pole; 10 mm
11	223/00035/02	Pressure Switch Cap	
12	223/00333/00	Pressure Hose	
13	223/00173/10	Pressure Switch Hose Tee	
14	209/00027/10	Pressure Switch	

Supply Dispenser - Models with Frontal Supply Dispenser

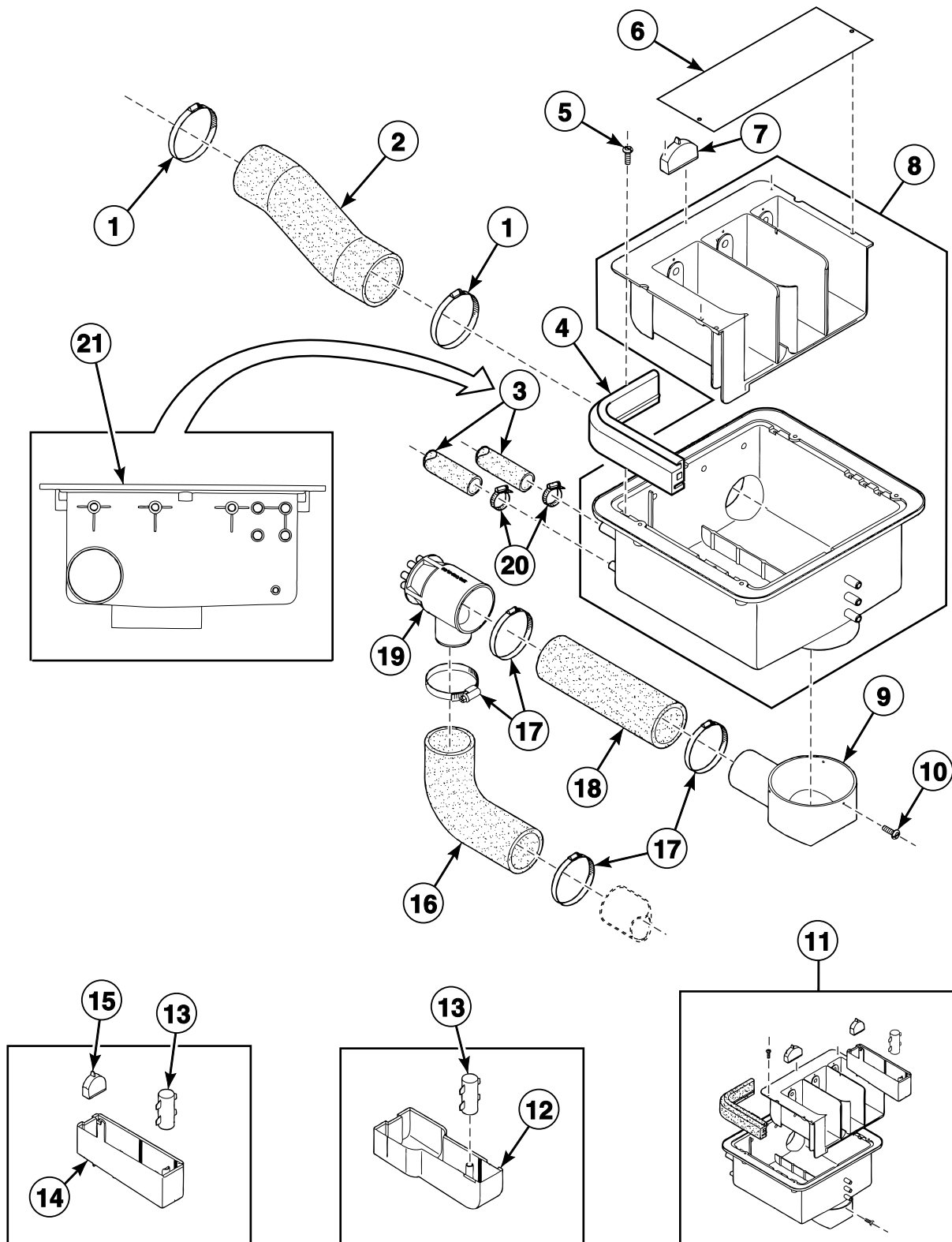


BE000663AP_D0884

Supply Dispenser - Models with Frontal Supply Dispenser

REF	PART NO.	DESCRIPTION	COMMENTS
1	223/00286/00	Hose	
2	223/00044/01	Water Hose	
3	223/00010/00	Hose Clamp	
4	223/00280/00	Outer Soapbox	
5	223/00280/03	Front Soapbox Siphon	
6	223/00280/20	Inner Soapbox	
7	223/00280/07	Soapbox Handle	
8	223/00013/00	Hose Clamp	
9	223/00298/00	Hose	
10	118/00118/03	Tube	
11	206/00027/00	Bolt	
12	203/00006/00	Washer	
13	202/00004/00	Washer	
14	204/00007/00	Nut	
15	155/00161/00	Pump Support	

Supply Dispenser - Models with Round Ventilation Opening

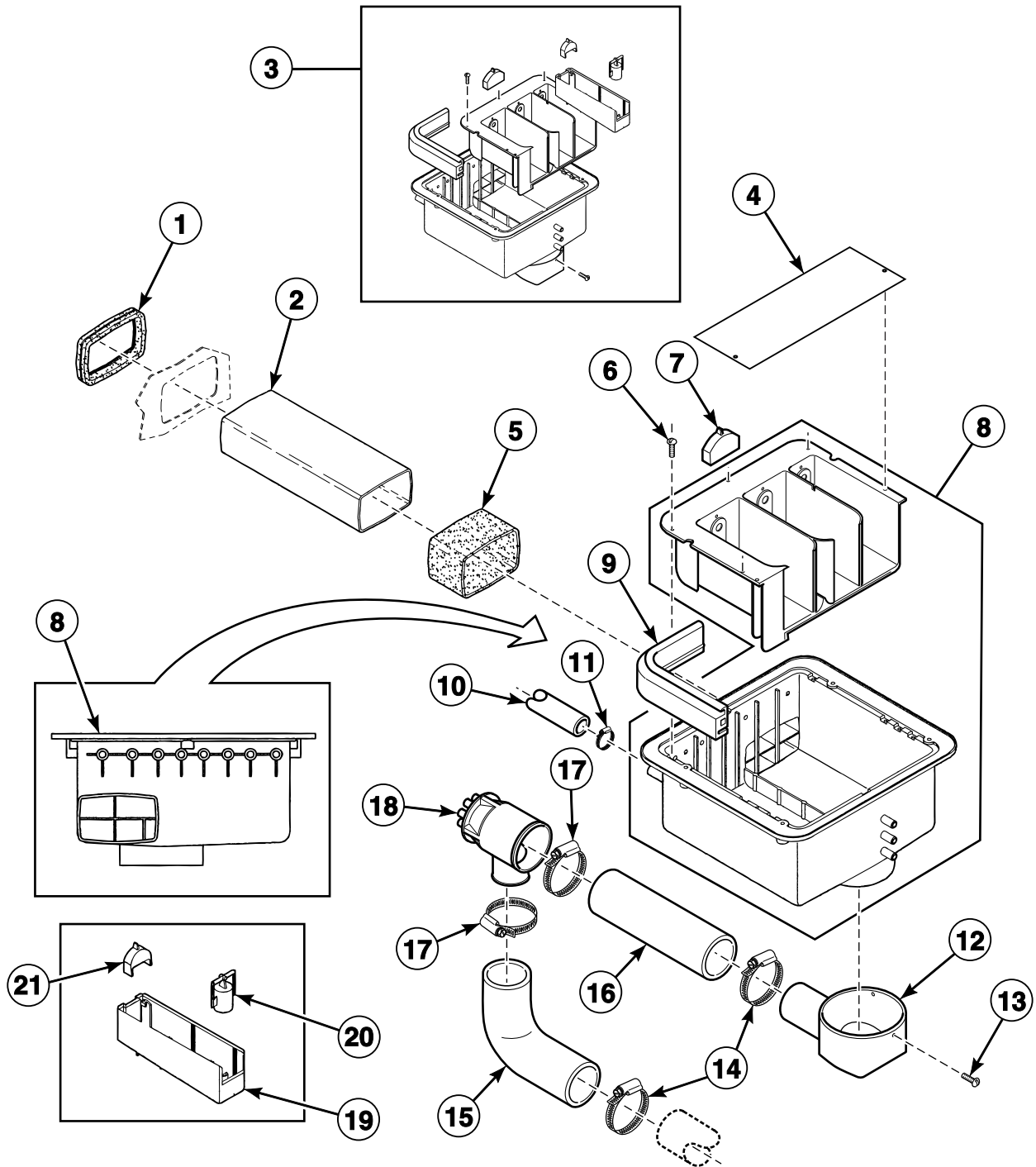


CFD342P_D0884

Supply Dispenser - Models with Round Ventilation Opening

REF	PART NO.	DESCRIPTION	COMMENTS
1	223/00014/00	Hose Clamp	
2	223/00107/02	Vent Hose	*030 and *135 models
	223/00107/01	Ventilating Hose	*035 and *165 models
3	223/00044/01	Water Hose	
4	223/00109/00	Soap Dispenser Gasket	
5	B12347501	Screw	
6	123/00107/00	Anti-Splash Plate	Sigma control models
	123/00103/06	Soap Box Assembly Plate	All other models
7	223/00102/06	Soap Spray Nozzle	
8	223/00102/30	Soap Dispenser Assembly	
9	223/00195/00	Dispenser Drain Funnel	
10	B12350903	Screw	
11	223/00102/50	Soap Dispenser Assembly	
12	223/00102/08	Liquid Soap Dispenser Insert	
13	223/00102/04	Soap Dispenser Rinse Siphon	
14	223/00102/03	Rinse Insert	
15	223/00102/05	Softener Spray Nozzle	
16	B12310304	Siphon Break Hose	
17	223/00013/00	Hose Clamp	
18	223/00262/00	Siphon Break Dispenser Hose	
19	223/00250/00	Liquid Soap Manifold	
20	223/00010/00	Hose Clamp	
21	223/00102/30	Soap Dispenser Assembly	

Supply Dispenser - Models with Rectangular Ventilation Opening

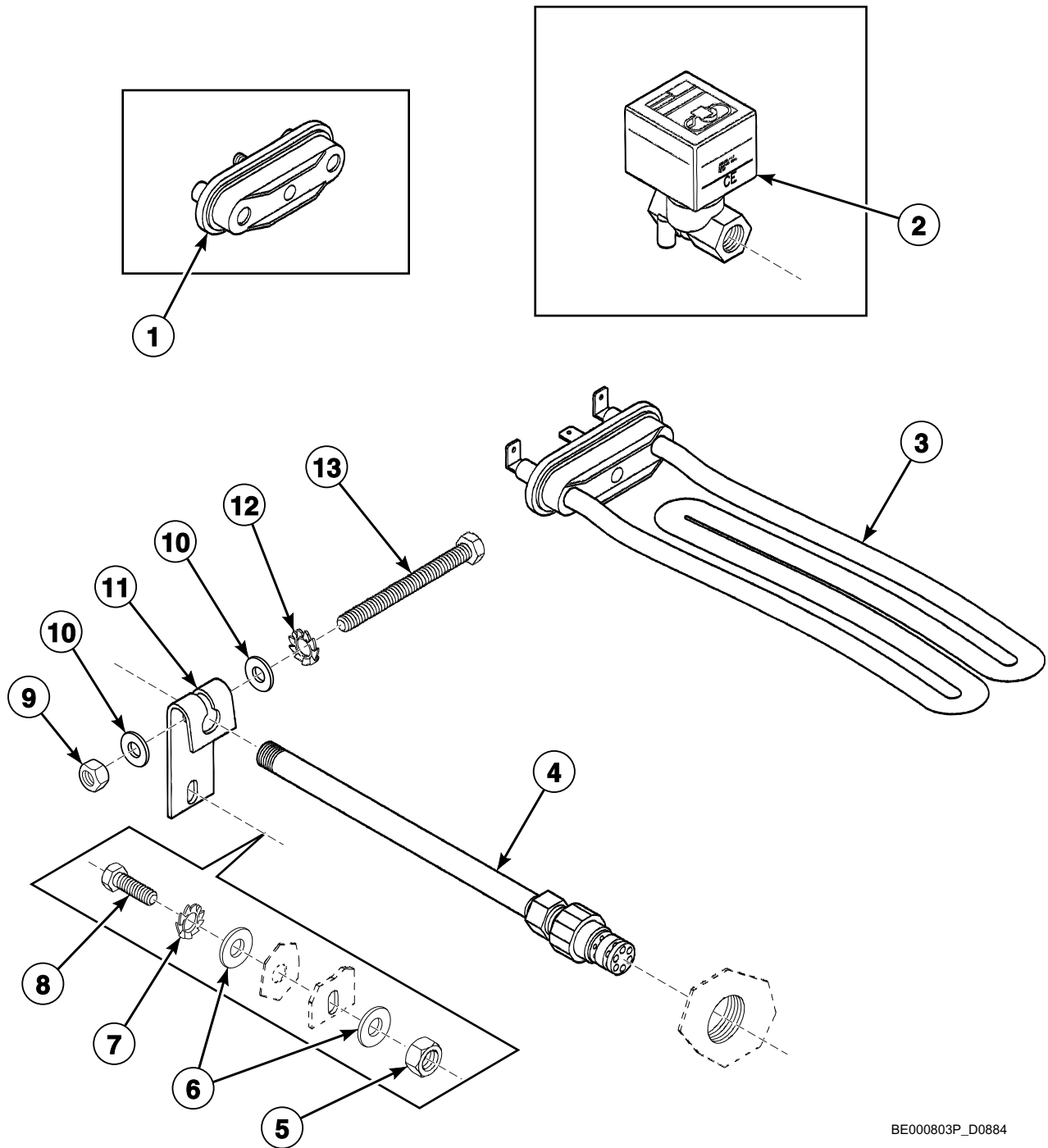


CFD331P_D0884

Supply Dispenser - Models with Rectangular Ventilation Opening

REF	PART NO.	DESCRIPTION	COMMENTS
1	223/00226/00	Vent Tube	
2	223/00229/00	Vent Tube	
3	223/00222/00	Soap Dispenser	
4	123/00107/00	Anti-Splash Plate	Sigma control models
	123/00103/06	Soap Box Assembly Plate	All other models
5	223/00245/00	Shrink Fit	
6	B12347501	Screw	
7	223/00102/06	Soap Spray Nozzle	
8	223/00222/60	Outer and Inner Box Kit	
9	223/00109/00	Soap Dispenser Gasket	
10	223/00044/00	Water Hose	
11	223/00010/00	Hose Clamp	
12	223/00195/00	Dispenser Drain Funnel	
13	B12350903	Screw	
14	223/00013/00	Hose Clamp	
15	B12310304	Siphon Break Hose	
16	223/00262/00	Siphon Break Dispenser Hose	
17	223/00013/00	Hose Clamp	
18	223/00250/00	Liquid Soap Manifold	
19	223/00222/05	Rinsing Box	
20	223/00222/04	Siphon Break	
21	223/00222/03	Softener Spray Nozzle	

Steam and Electric Heating Options

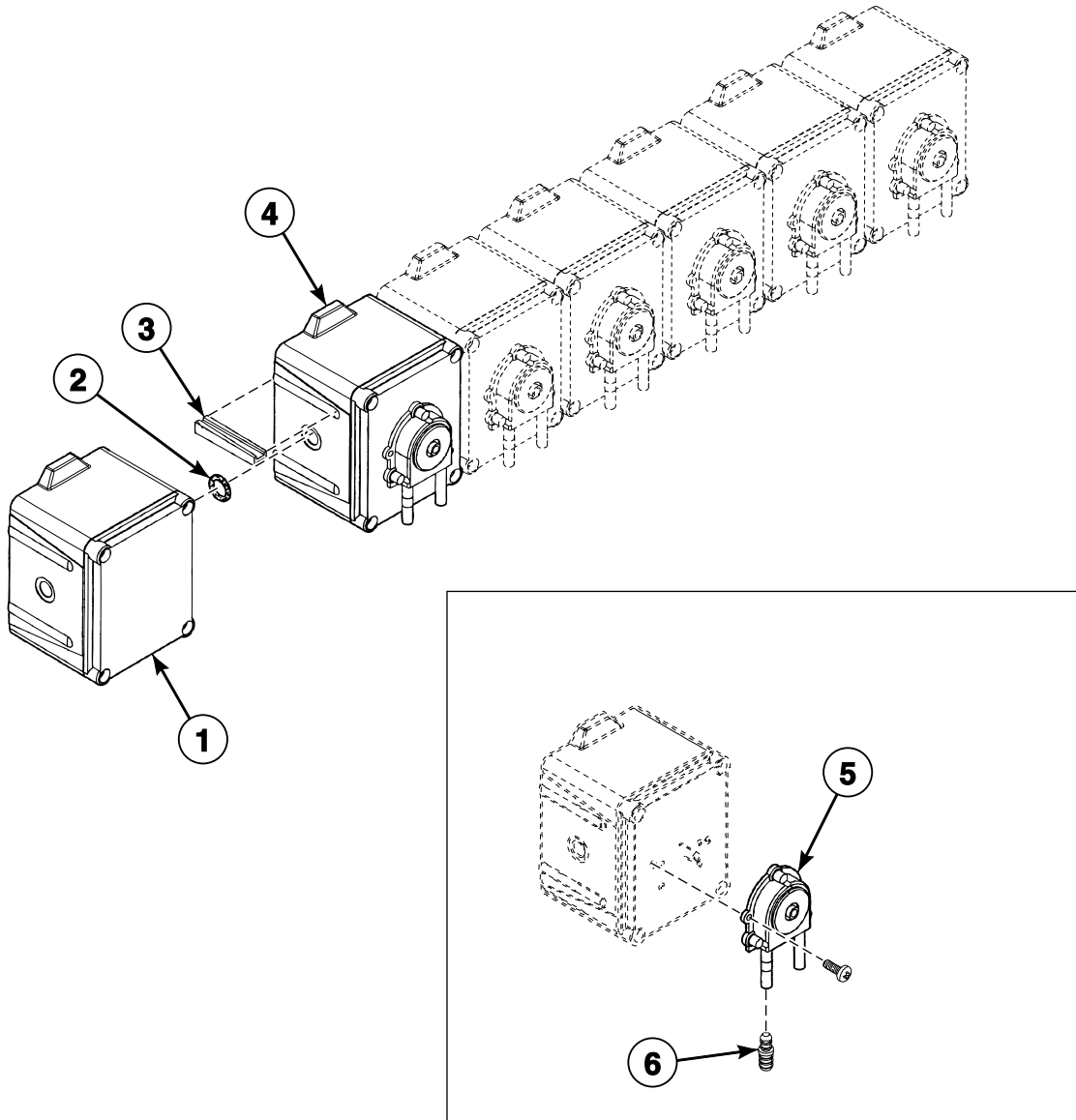


BE000803P_D0884

Steam and Electric Heating Options

REF	PART NO.	DESCRIPTION	COMMENTS
	921P3	Steam Heat Kit	*030 and *135 models; Includes items 4, 11, 13 and 9001214 Washer, 9001227 Washer, 9001240 Washer, 9001241 Washer, 9001249 Nut, 9001250 Nut, 9001295 Bolt, 9001386 Steam Valve, 900/00108/00 Safety Level Switch, 901/00217/00 Contactor and Wiring Assembly and 209/00027/10B Water Level Switch
	919P3	Steam Heat Kit	*035 and *165 models; Includes items 11, 13 and 9001214 Washer, 9001227 Washer, 9001240 Washer, 9001241 Washer, 9001249 Nut, 9001250 Nut, 9001295 Bolt, 9001386 Steam Valve, 118/00085/00 Steam Injector, 900/00108/00 Safety Level Switch, 901/00217/00 Contactor and Wiring Assembly and 209/00027/10B Water Level Switch
1	209/00196/00	Heating Element Plug	
2	209/00477/00	Steam Valve	
3	209/00581/10	Heating Element	400W; 380 Volt
	209/00562/10	Heating Element	3000W; 220/240 Volt
	209/00563/20	Heating Element	2000W; 220/240 Volt
	209/00564/20	Heating Element	1500W; 220/240 Volt
4	118/00084/00	Steam Injector	
5	204/00005/00	Nut	
6	201/00007/00	Washer	
7	203/00004/00	Washer	
8	206/00013/00	Bolt	
9	204/00004/00	Nut	
10	202/00002/00	Washer	
11	113/00025/00	Steam Injector Plate Assembly	
12	203/00003/00	Washer	
13	206/00035/00	Bolt	

Soap Pumps



BE000527AP_D0884

Soap Pumps

REF	PART NO.	DESCRIPTION	COMMENTS
1	209/00554/01	Soap Pump Assembly	1 pump and 1 feeding pump
	209/00554/02	Soap Pump Assembly	2 pump and 1 feeding pump
	209/00554/03	Soap Pump Assembly	3 pump and 1 feeding pump
	209/00554/04	Soap Pump Assembly	4 pump and 1 feeding pump
	209/00554/05	Soap Pump Assembly	5 pump and 1 feeding pump
	209/00554/06	Soap Pump Assembly	6 pump and 1 feeding pump
	209/00554/51	Feeding Liquid Soap Dosing Pump	
2	209/00554/52	Liquid Soap Dosing Pump O-Ring	
3	209/00554/53	Liquid Soap Dosing Pump Connection Piece	
4	209/00554/50	Pump	
5	209/00554/98	Hose	
6	209/00554/99	Hose Connector	