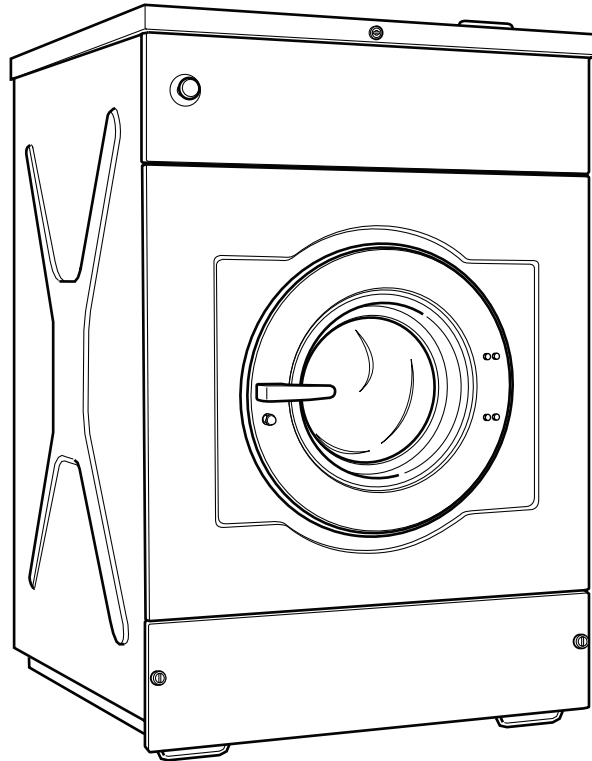


Washer-Extractor

Cabinet Hardmount

Refer to Page 3 for Model Numbers



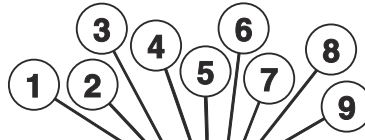
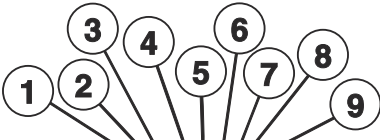
CFD651N_D1361

Model Identification


Information in this manual is applicable to these washer-extractor models:

CH018_CYGNUS-SELECT	IHG065C	IHU065C	JHG065Z
CH025_CYGNUS-SELECT	IHG065X	IHU065X	JHG075Z
CHG065X	IHG065Y	IHU065Y	JHG100Z
CHG075X	IHG065Z	IHU065Z	JHW065C
CHG100X	IHG075C	IHU075C	JHW065X
CHN065X	IHG075X	IHU075X	JHW065Y
CHN065Z	IHG075Y	IHU075Y	JHW065Z
CHN075S	IHG075Z	IHU075Z	JHW075C
CHN075X	IHG100C	IHU100C	JHW075X
CHN075Z	IHG100X	IHU100X	JHW075Y
CHN100S	IHG100Y	IHU100Y	JHW075Z
CHN100X	IHG100Z	IHU100Z	JHW100C
CHN100Z	IHN065C	IHW065C	JHW100X
CHU065X	IHN065S	IHW065X	JHW100Y
CHU065Z	IHN065U	IHW065Y	JHW100Z
CHU075X	IHN065V	IHW065Z	PHU065Y
CHU075Z	IHN065X	IHW075C	PHU075Y
CHU100X	IHN065Y	IHW075X	PHU100Y
CHU100Z	IHN065Z	IHW075Y	WD65_CYGNUS-COMM
CHW065X	IHN075C	IHW075Z	WD65_CYGNUS-PREM
CHW065Z	IHN075S	IHW100C	WD65_CYGNUS-PRO
CHW075X	IHN075U	IHW100X	WD65_CYGNUS-STANDARD
CHW075Z	IHN075V	IHW100Y	WD75_CYGNUS-COMM
CHW100X	IHN075X	IHW100Z	WD75_CYGNUS-PREM
CHW100Z	IHN075Y	IHZ065C	WD75_CYGNUS-PRO
CHZ065X	IHN075Z	IHZ065X	WD75_CYGNUS-STANDARD
CHZ065Z	IHN100C	IHZ065Y	WD100_CYGNUS-COMM
CHZ075X	IHN100S	IHZ065Z	WD100_CYGNUS-PREM
CHZ075Z	IHN100U	IHZ075C	WD100_CYGNUS-PRO
CHZ100X	IHN100V	IHZ075X	WD100_CYGNUS-STANDARD
CHZ100Z	IHN100X	IHZ075Y	WHU065C
DHU065X	IHN100Y	IHZ075Z	WHU075C
DHU075X	IHN100Z	IHZ100C	WHU100C
DHU100X		IHZ100X	YHG065C
EHU065X		IHZ100Y	YHG075C
EHU075X		IHZ100Z	YHG100C
EHU100X			
IH014_CYGNUS-SELECT			
IH014_CYGNUS-ULTRA			
IH014_CYGNUS-VENDED			
IH018_CYGNUS-SELECT			
IH018_CYGNUS-ULTRA			
IH018_CYGNUS-VENDED			
IH025_CYGNUS-SELECT			
IH025_CYGNUS-ULTRA			
IH025_CYGNUS-VENDED			


Cabinet Hardmount Washer-Extractor Product Overview



Model No: IXU135XNCUOE		Serial No: 12090AE0036	
Volts: 380-415V	Type: HD135		
Hertz: 50(60)Hz	1 3		
Phase: 3+N	Capacity: 30/13.2 lbs/kg		
Amps: 24.3 amps	Water Pressure: 28-85 psi		
Recommended Circuit Breaker: 25 amps	Pressure: 2-6 bar		
Electrical Heating: 12-14. kW	Max Speed: 1000 rpm		
Steam Heat: N/A psi	Net Weight: 788 lbs		
Sound Level: 62/73 dBA	Weight: 358 kg		
		IPX4 sfc 807393	



Alliance International BVBA
Nieuwstraat 146
8560 Wevelgem
Belgium
Tel: +32 56 41 20 54
Fax: +32 56 41 86 74
www.ipso.be
Country of origin: Belgium



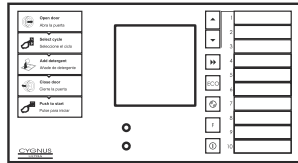
Model No: IHN185SNLXUOP		Serial No: 1209BG0043	
Volts: 200-240V	Type: WD185		
Hertz: 60(50)Hz	1 3		
Phase: 1	Capacity: 40/18.2 lbs/kg		
Amps: 3.5 amps	Water Pressure: 28-85 psi		
Recommended Circuit Breaker: 15 amps	Pressure: 2-6 bar		
Electrical Heating: N/A kW	Max Speed: 470 rpm		
Steam Heat: N/A psi	Net Weight: 618 lbs		
Sound Level: 62/73 dBA	Weight: 281 kg		
		IPX4 sfc 807410	



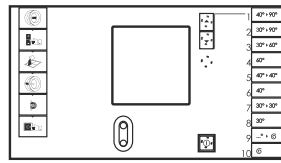
Alliance International BVBA
Nieuwstraat 146
8560 Wevelgem
Belgium
Tel: +32 56 41 20 54
Fax: +32 56 41 86 74
www.ipso.be
Country of origin: Belgium



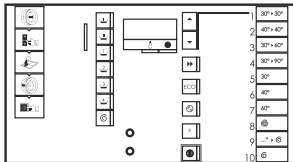
ETL US
10740 LISTED
CONFORMS TO ANSIUL STD 2107
CERTIFIED TO CAN/CSA STD C22.2 NO.108.94



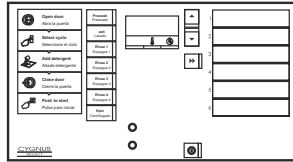
Cygnus Ultra



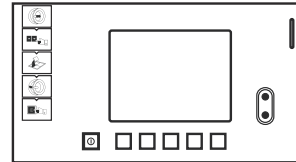
Cygnus Premium Coin



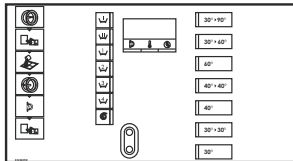
Cygnus Commercial



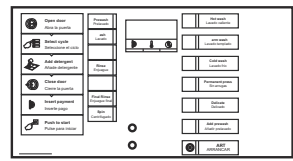
Cygnus Select



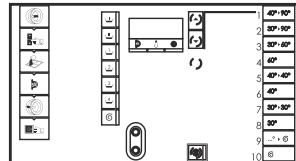
Cygnus Professional



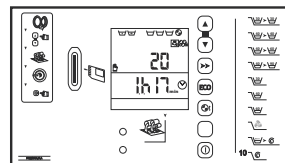
Cygnus Standard Vended



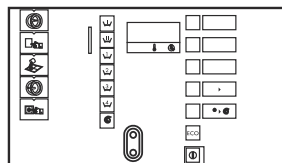
Cygnus Vended



Cygnus Commercial Vended



Cygnus Premium OPL



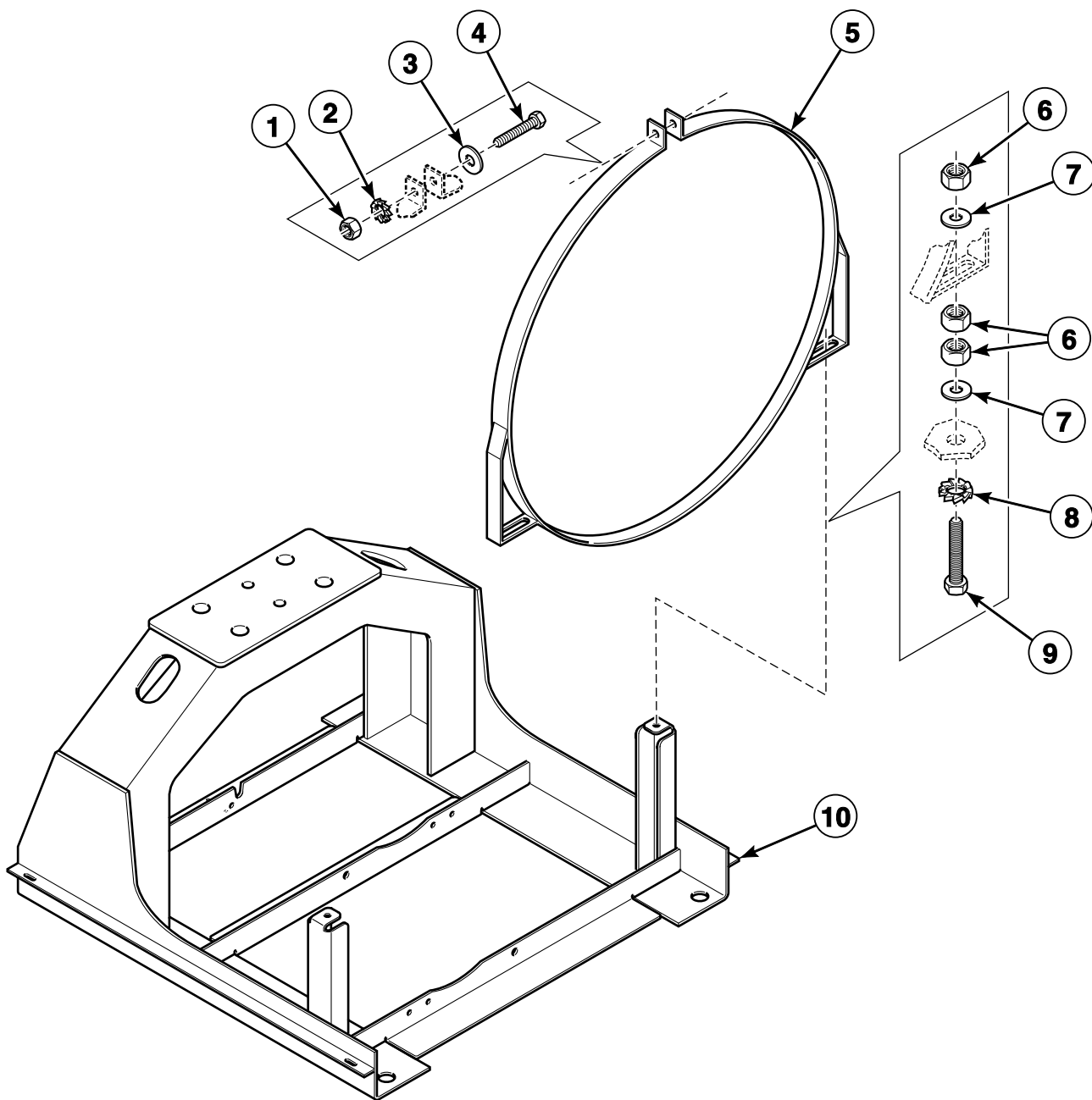
Cygnus Standard OPL

CHM3243P_D1361

Cabinet Hardmount Washer-Extractor Product Overview

REF	PART NO.	DESCRIPTION	COMMENTS
1	-	Product Family	CH DH EH IH JH PH WD WH YH
2	-	Market	U (EU [CE]) N (US ETL/ETL [C]) G (GOS) W (EU [CE] WRAS) Z (No Agency Int.)
3	-	Capacity	014 018 025 065 075 100
4	-	Control	C (Cygnus Standard) S (CygnusSelect) U (Cygnus Ultra) V (Cygnus Vended) X (CygnusCommercial) Y (Cygnus Premium) Z (Cygnus-Professional)
5	-	Actuation	C (Single Coin Drop) D (Dual Coin Drop) E (Electronic Coin Drop) L (Central Pay Pulses) N (OPL) S (Central Pay Serial Comm)
6	-	Speed	L (Normal Speed) M (High Speed)
7	-	Voltage	C (380-415/50-60/3/4) N (440-480/50-60/3/3) P (380-415/50-60/3/3) Q (200-208/220-240/50-60/3/3) X (200-208/220-240/50-60/1/2/2)
8	-	Cabinet	U (Standard) I (Stainless Steel Side Panels)
9	-	Design	1

Frame

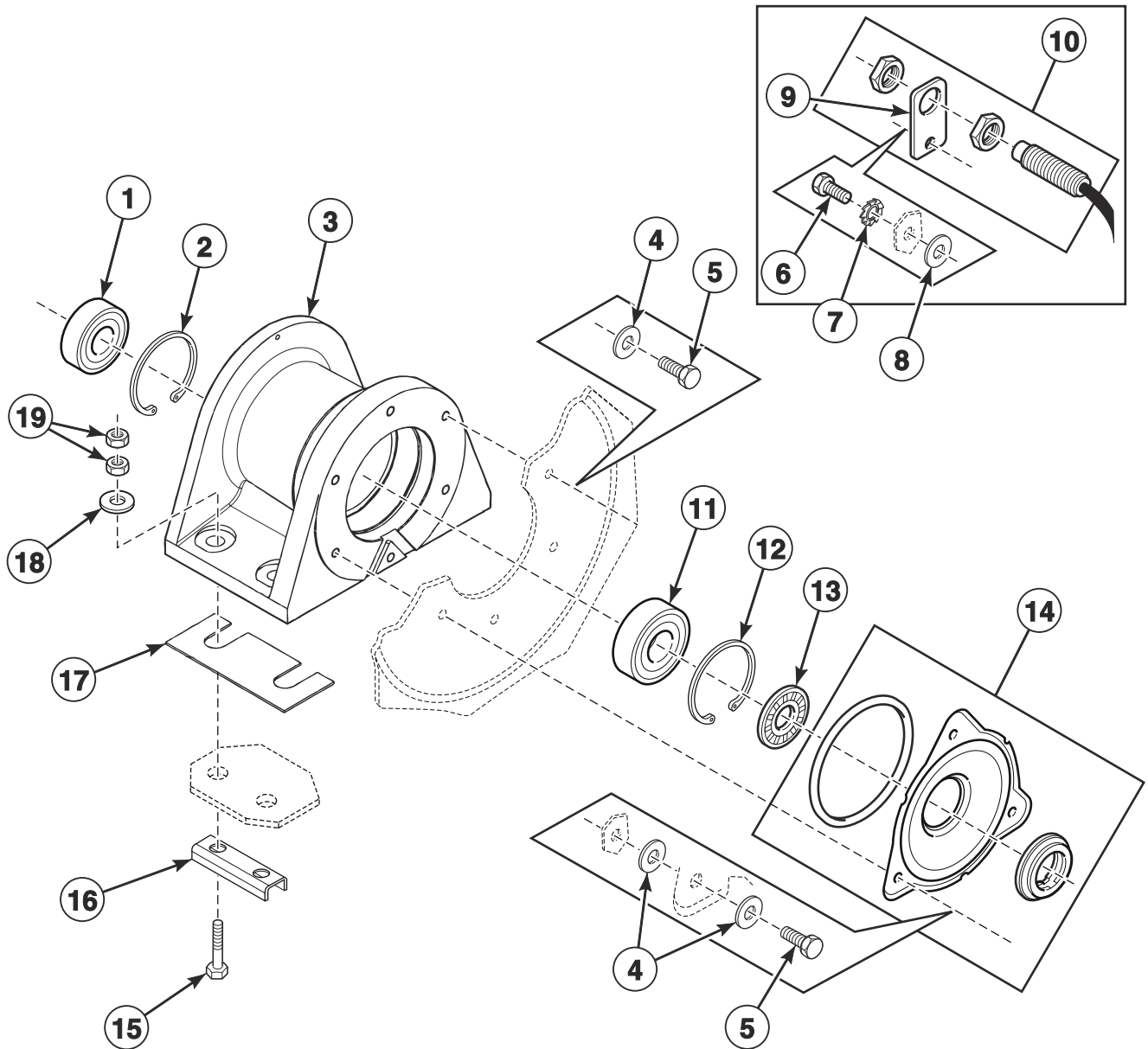


CHM3252P_D1361

Frame

REF	PART NO.	DESCRIPTION	COMMENTS
	B12349904	Out-of-Balance Bypass Harness	
1	204/00003/00	Nut	
2	203/00002/00	Washer	
3	201/00010/00	Washer	
4	206/00052/00	Bolt	
5	212/00114/00	Tub Fastening Ring	
6	204/00002/00	Nut	
7	201/00005/00	Washer	
8	203/00001/00	Washer	
9	206/00079/00	Bolt	
10	B12395601	Frame	*14 and *65 models
	B12395701	Frame	*18 and *75 models
	B12394301	Frame	*25 and *100 models

Bearing Housing

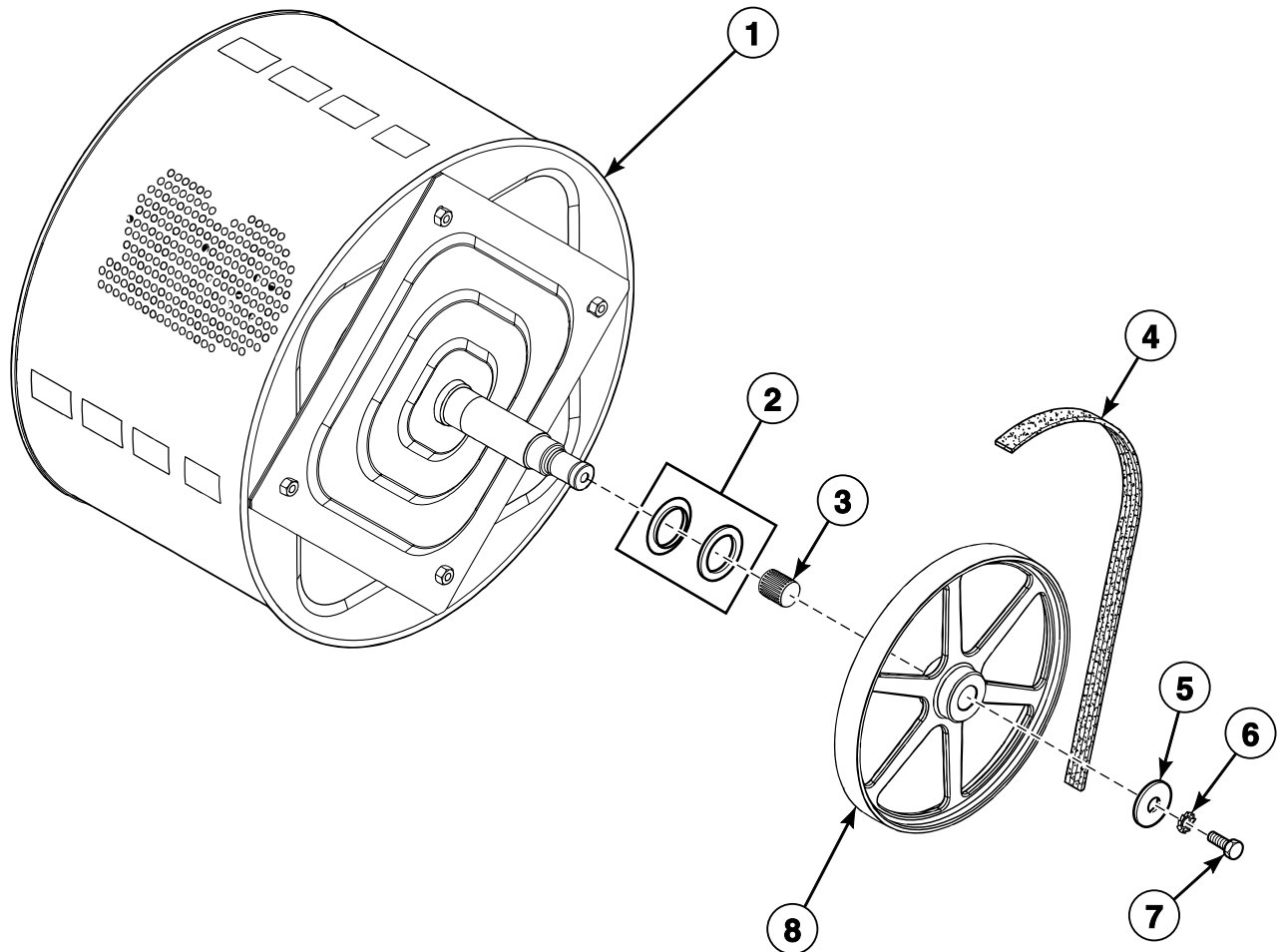


CHM3210P_D1361

Bearing Housing

REF	PART NO.	DESCRIPTION	COMMENTS
	3881P	Bearing Kit	Includes items 1, 4, 5, 11, 13, 14, 217/00004/00 Counter Ring and 223/00242/10 Tub Front Gasket
	380P3	Bearing Replacement Tool Kit	
1	F100136	Bearing	6307
2	212/00028/00	Retaining Ring	J80
3	212/00100/00	Bearing Housing Assembly	Includes items 1-3, 11 and 12
	212/00100/01	Bearing Housing	
4	201/00201/00	Washer	
5	205/00102/00	Bolt	
6	203/00004/00	Washer	
7	206/00014/00	Bolt	
8	202/00003/00	Washer	
9	152/00055/00	Speed Detector Bracket	
10	210/00074/00	Speed Detector	Includes item 9
11	F100137	Bearing	6308
12	212/00038/00	Retaining Ring	J90
13	B12332301	Lip Seal	
14	B12333601	Seal Plate Assembly	
15	206/00093/00	Bolt	
16	113/00065/00	U-Piece Assembly	
17	113/00020/02	Bearing Housing Plate	1 mm
	113/00020/01	Bearing Housing Plate	2 mm
18	201/00001/00	Washer	
19	206/00094/00	Nut	

Basket, Pulley and Belt

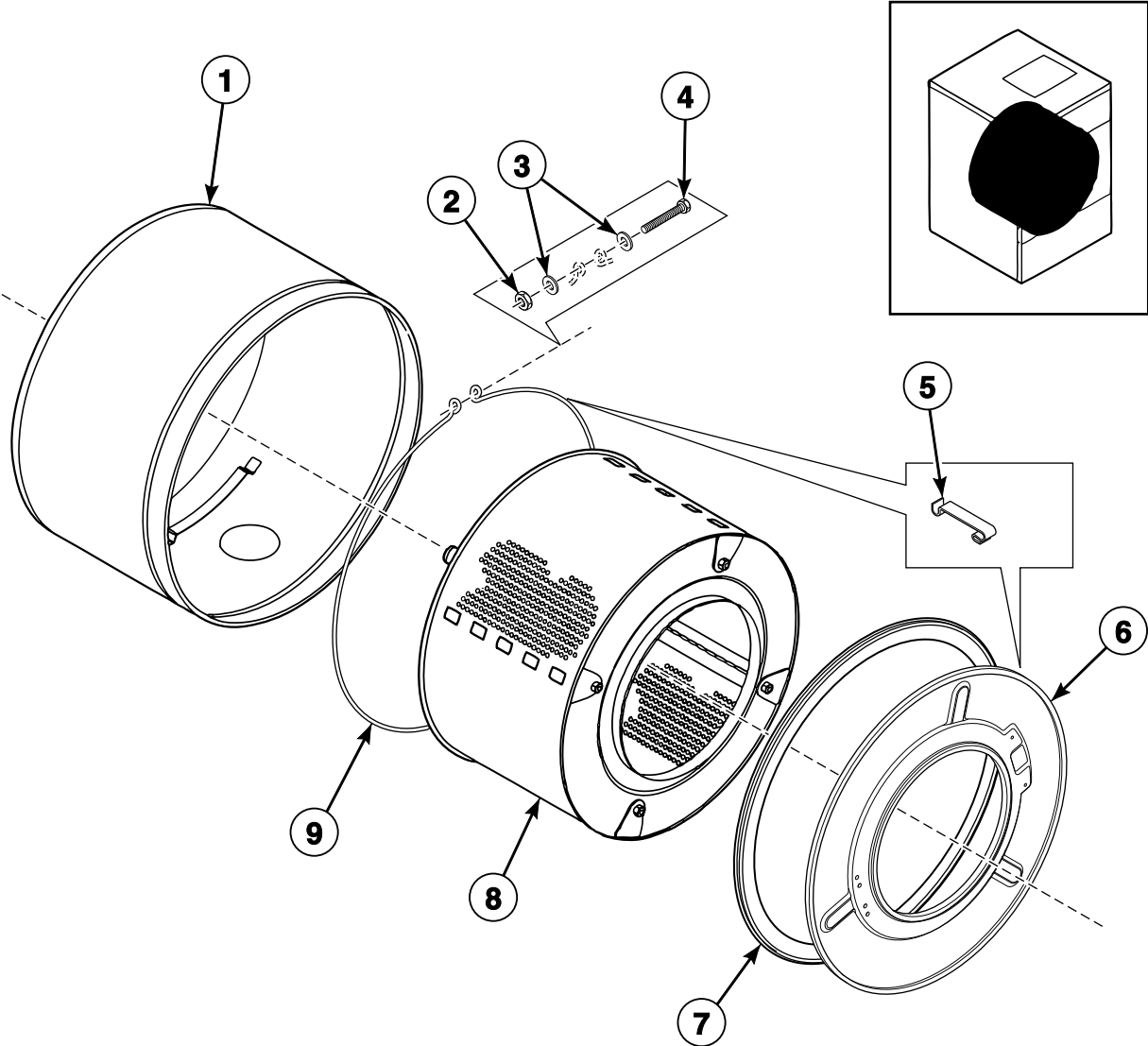


BE000840P_D1361

Basket, Pulley and Belt

REF	PART NO.	DESCRIPTION	COMMENTS
1	B12379501	Basket and Shaft Assembly	*14 and *65 models; 3 mm
	B12379601	Basket and Shaft Assembly	*14 and *65 models; 9 mm
	B12379701	Basket and Shaft Assembly	*18 and *75 models; 3 mm
	B12379801	Basket and Shaft Assembly	*18 and *75 models; 9 mm
	B12379901	Basket and Shaft Assembly	*25 and *100 models; 3 mm
	B12380001	Basket and Shaft Assembly	*25 and *100 models; 9 mm
2	217/00004/00	Counter Ring	
3	215/00004/00	Tolerance Ring	
4	226/00153/00	Belt	
5	201/00003/00	Washer	
6	203/00001/00	Washer	
7	206/00004/00	Bolt	
8	226/00141/00	Drum Pulley	

Shell and Basket

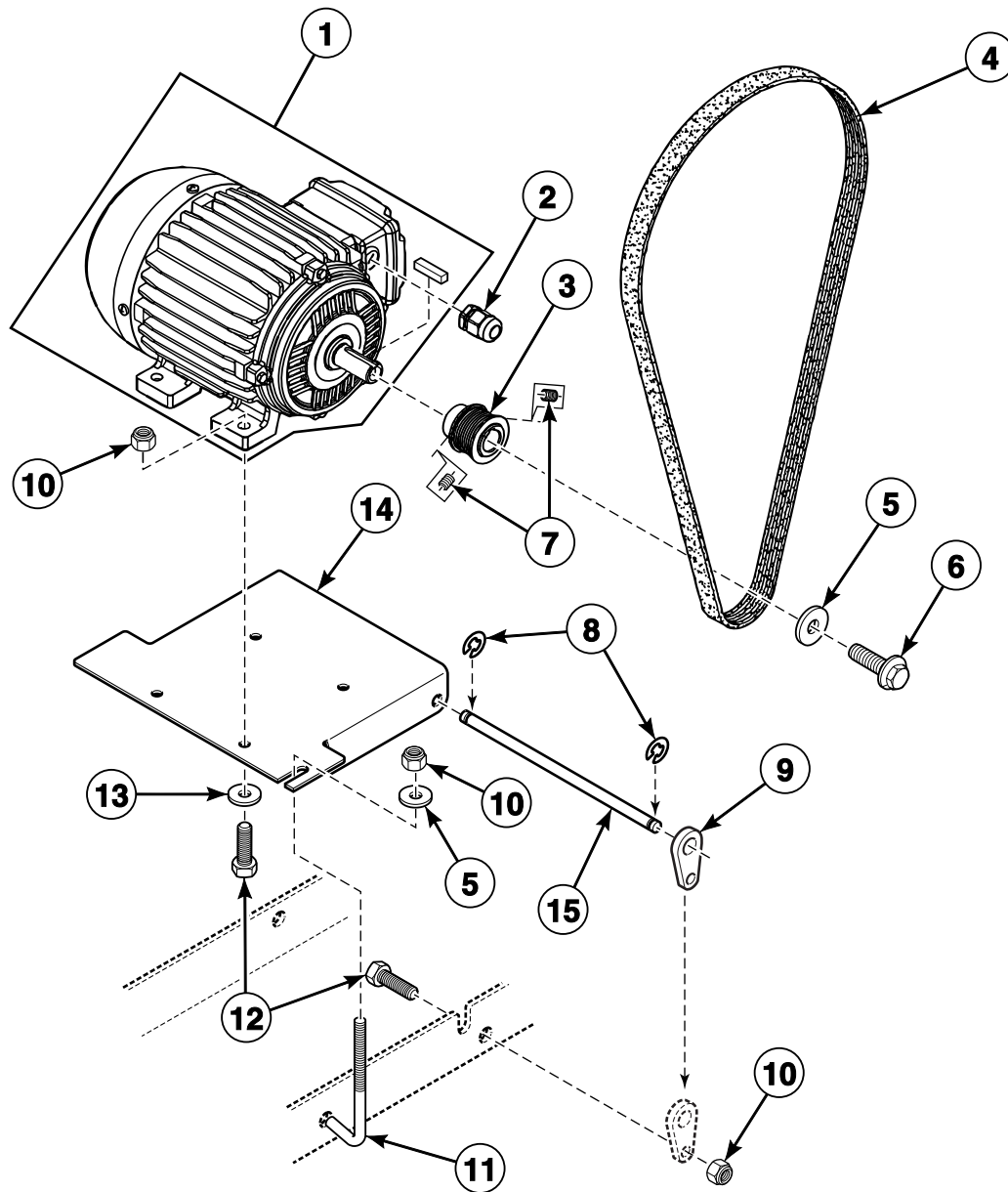


CHM3207P_D1361

Shell and Basket

REF	PART NO.	DESCRIPTION	COMMENTS
1	B12328101	Outer Tub	*14 and *65 models; Standard
	B12328001	Outer Tub	*14 and *65 models; Electric heat
	B12328401	Outer Tub	*18 and *75 models; Standard
	B12328301	Outer Tub	*18 and *75 models; Electric heat
	B12328701	Outer Tub	*25 and *100 models; Standard
	B12328601	Outer Tub	*25 and *100 models; Electric heat
2	204/00009/00	Nut	
3	201/00007/00	Washer	
4	206/00032/00	Bolt	
5	217/00008/00	Tub Front Panel Clip	
6	B12339601	Tub Front Panel	
7	223/00242/10	Tub Gasket	
8	B12379501	Basket and Shaft Assembly	*14 and *65 models; 3 mm
	B12379601	Basket and Shaft Assembly	*14 and *65 models; 9 mm
	B12379701	Basket and Shaft Assembly	*18 and *75 models; 3 mm
	B12379801	Basket and Shaft Assembly	*18 and *75 models; 9 mm
	B12379901	Basket and Shaft Assembly	*25 and *100 models; 3 mm
	B12380001	Basket and Shaft Assembly	*25 and *100 models; 9 mm
9	219/00007/00	Tub Front Ring Clamp	

Motor and Belt

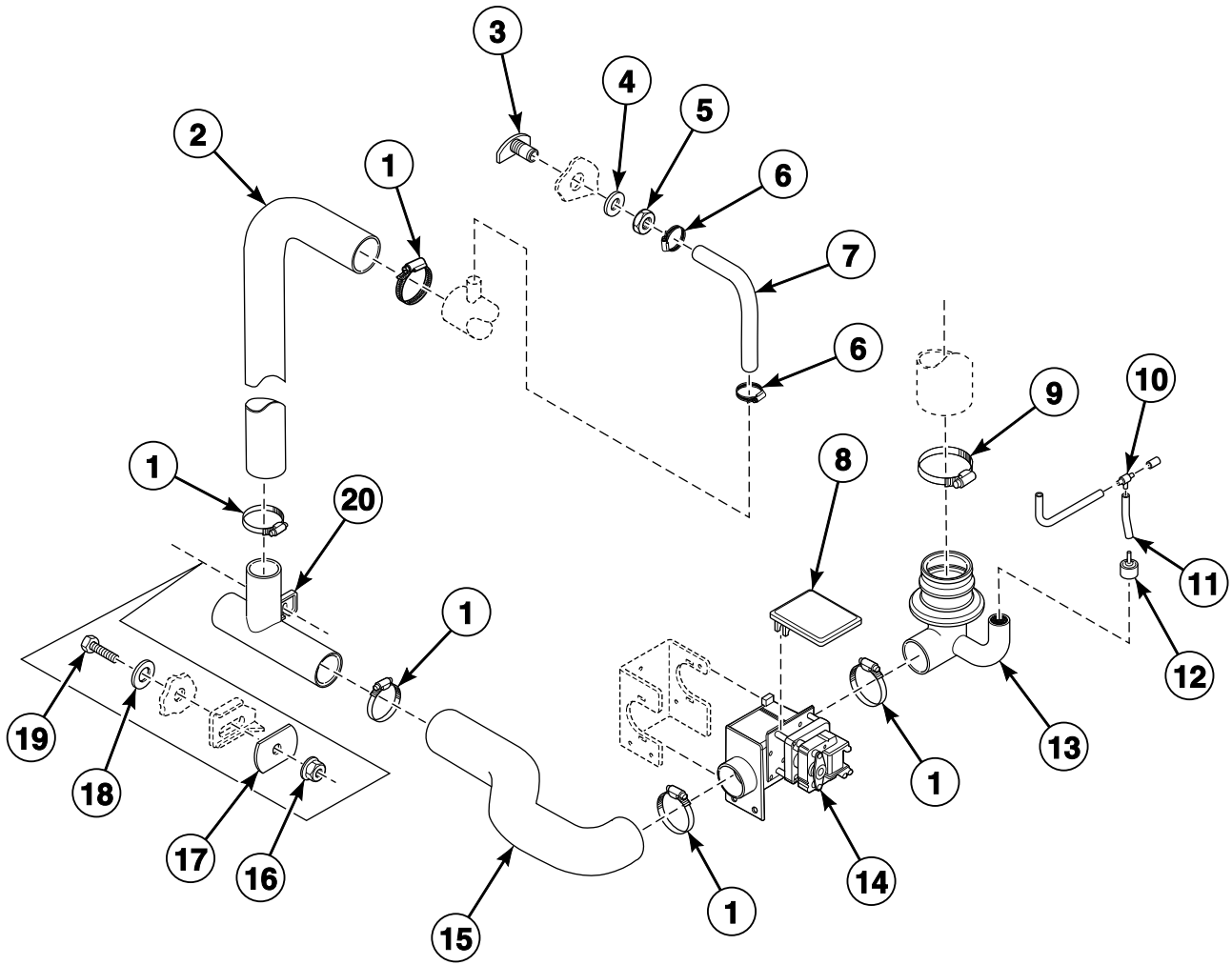


CHM3263P_D1361

Motor and Belt

REF	PART NO.	DESCRIPTION	COMMENTS
	B12382102	Motor Harness	
1	B12510501	Motor	
2	211/00181/00	Strain Relief Connector	
3	226/00154/00	Motor Pulley	
4	226/00153/00	Belt	
5	201/00015/00	Washer	
6	206/00006/00	Bolt	
7	206/00058/00	Screw	
8	B12463401	Spacer	
9	B12371401	Motor Clip	
10	204/00110/00	Nut	
11	B12444801	Bolt	
12	206/00119/00	Bolt	
13	202/00002/00	Washer	
14	B12363002	Motor Plate	
15	B12363001	Motor Mounting Rod	

Drain Plumbing

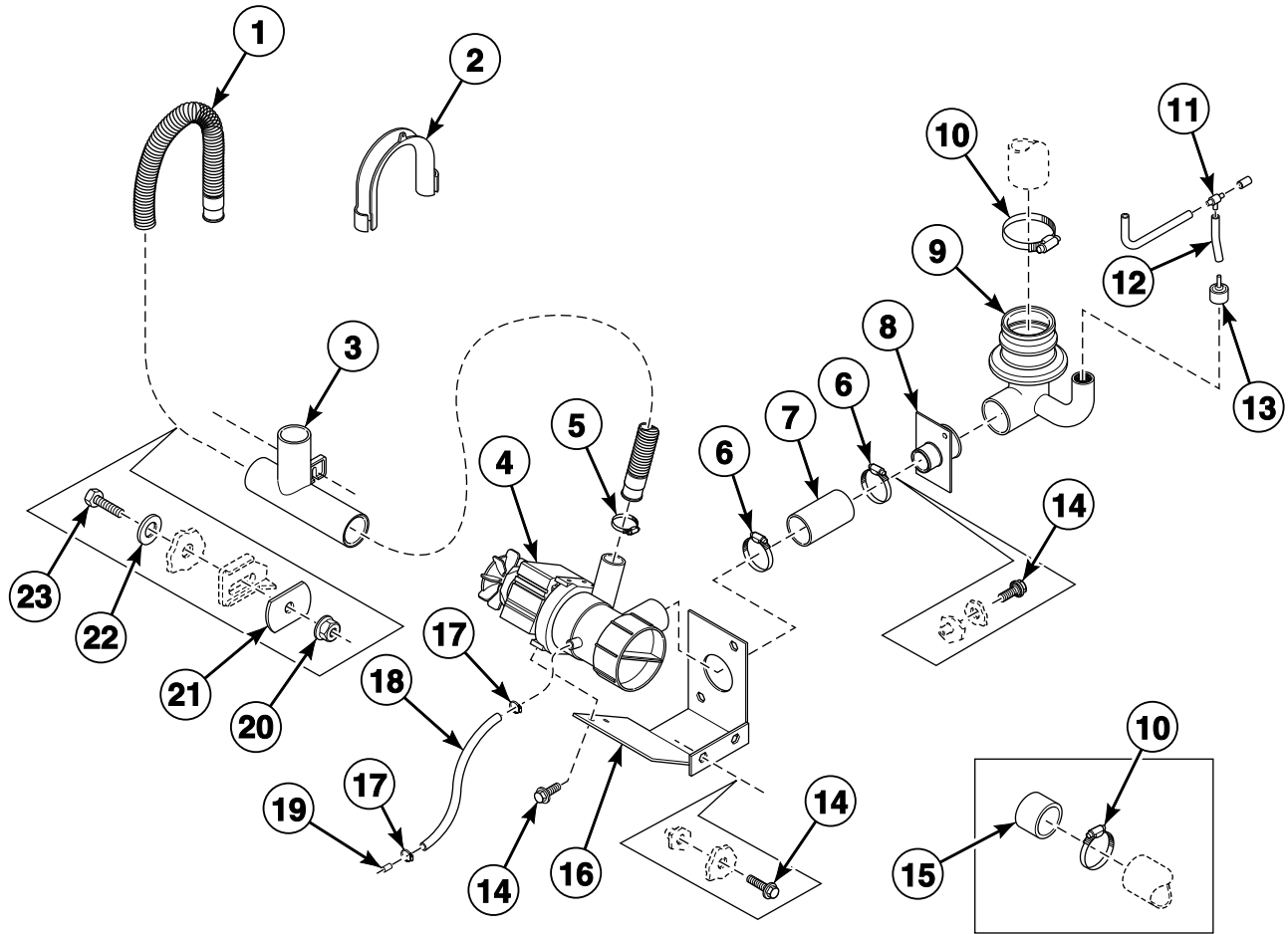


CHM3287P_D1361

Drain Plumbing

REF	PART NO.	DESCRIPTION	COMMENTS
	B12349401	Drain Valve Harness	
1	223/00013/00	Hose Clamp	
2	223/00150/00	Overflow Hose	
3	223/00001/04	Prewash and Mainwash Nozzle	
4	201/00002/00	Washer	
5	204/00201/00	Nut	
6	223/00010/00	Hose Clamp	
7	223/00044/00	Water Hose	
8	223/00225/00	Drain Valve Cover	
9	223/00014/00	Hose Clamp	
10	223/00173/10	Pressure Switch Hose Tee	
11	223/00333/00	Pressure Hose	
12	223/00035/02	Pressure Switch Cap	
13	255/00010/00	Tub to Drain Valve Hose	
14	209/00463/00	Drain Valve	
15	223/00190/00	Drain Valve Hose	*14, *18, *65 and *75 models
	223/00328/00	Drain Valve to Drain Tube Hose	*25 and *100 models
16	206/00101/00	Nut	
17	101/00007/00	Outlet Pipe Plate Assembly	
18	201/00007/00	Washer	
19	206/00033/00	Bolt	
20	223/00146/00	Drain Piece	

Drain Plumbing - Models with Pump Drain

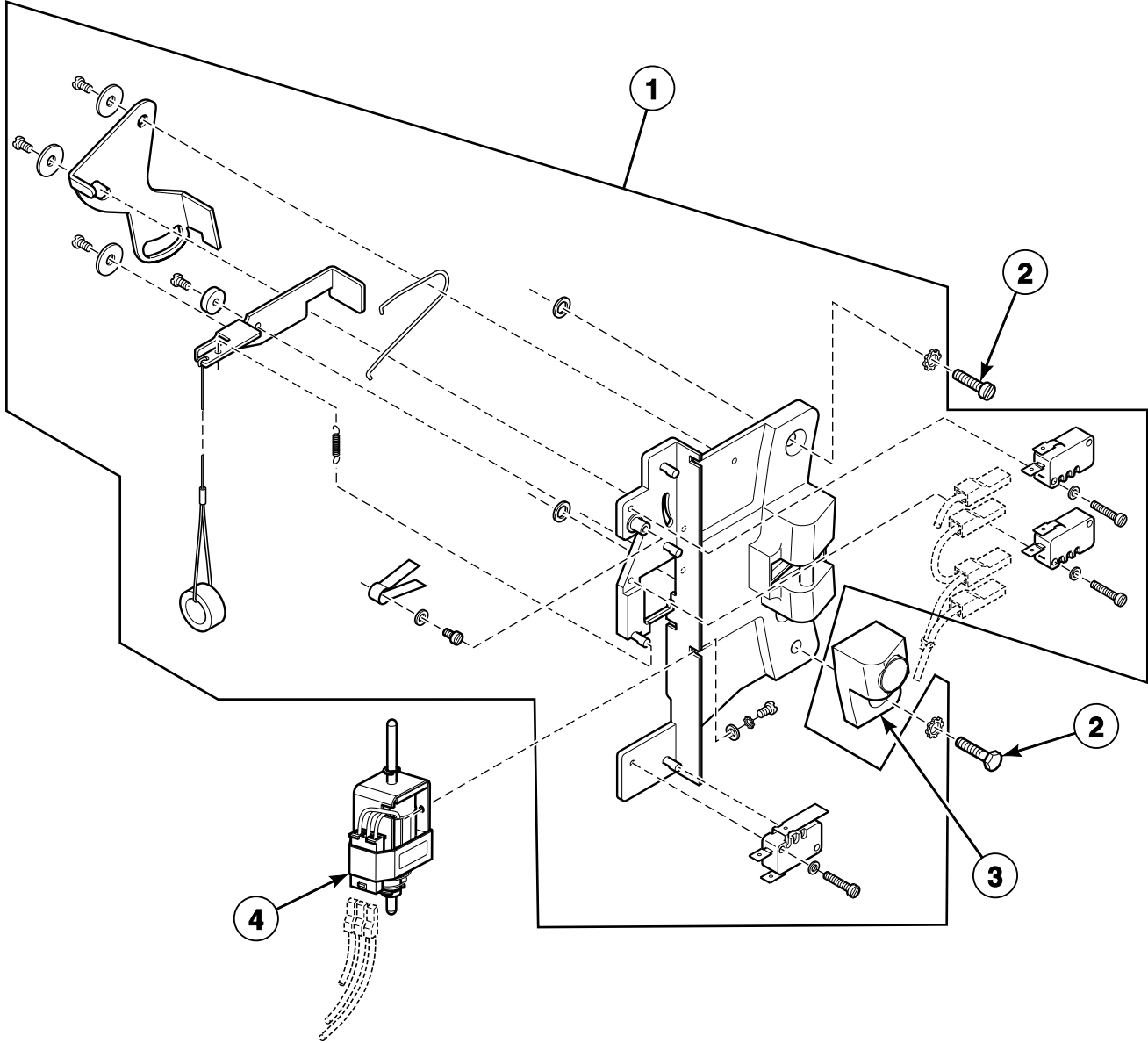


CHM3265P_D1361

Drain Plumbing - Models with Pump Drain

REF	PART NO.	DESCRIPTION	COMMENTS
1	223/00157/01	Drain Pipe Kit	
2	223/00157/02	Drain Pipe Kit	
3	223/00146/00	Drain Piece	
4	209/00762/00	Exhaust Pump	
5	223/00011/00	Hose Clamp	
6	223/00012/00	Hose Clamp	
7	255/00017/00	Connecting Piece	
8	155/00155/00	Drain Piece	
9	255/00010/00	Tube to Drain Valve Hose	
10	223/00014/00	Hose Clamp	
11	223/00173/10	Pressure Switch Hose Tee	
12	223/00333/00	Pressure Hose	
13	223/00035/02	Pressure Switch Cap	
14	206/00105/00	Nut	
15	223/00294/00	Drain Pipe Cap	
16	111/00298/00	Exhaust Pump Support	
17	223/00009/00	Clamp	
18	223/00159/00	Pipe	
19	223/00162/00	Stopper	
20	206/00101/00	Nut	
21	101/00007/00	Outlet Pipe Plate Assembly	
22	201/00007/00	Washer	
23	206/00033/00	Bolt	

Door Lock

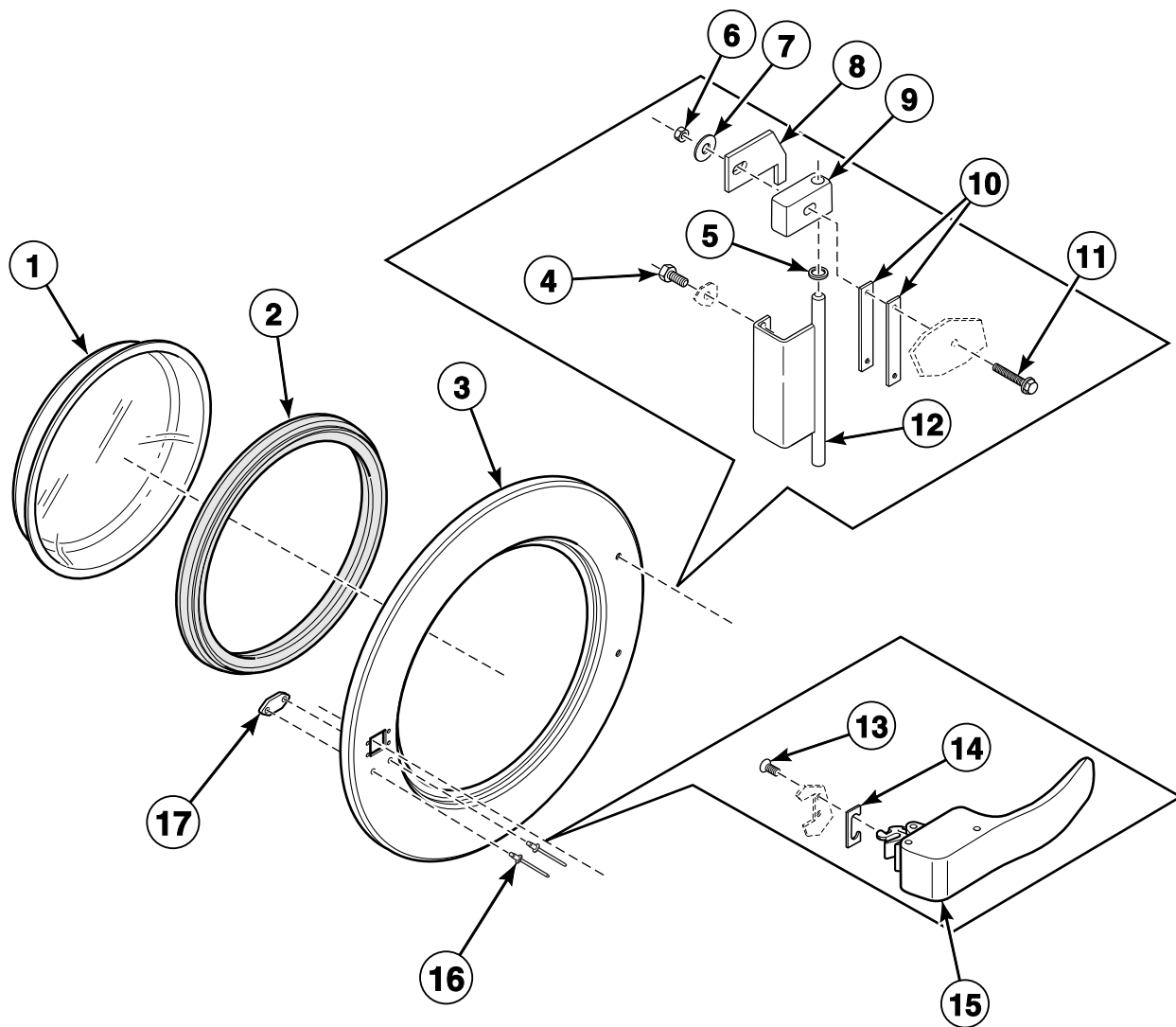


CHM3240P_D1361

Door Lock

REF	PART NO.	DESCRIPTION	COMMENTS
	B12495001	Door Lock Harness	
1	B12403001	Door Lock Assembly	
2	207/00102/00	Screw	
3	B12517601	Reed Switch Holder	Includes F8080405 Reed Switch Harness and B12502001 Reed Switch
4	B12495101	Door Solenoid	

Door

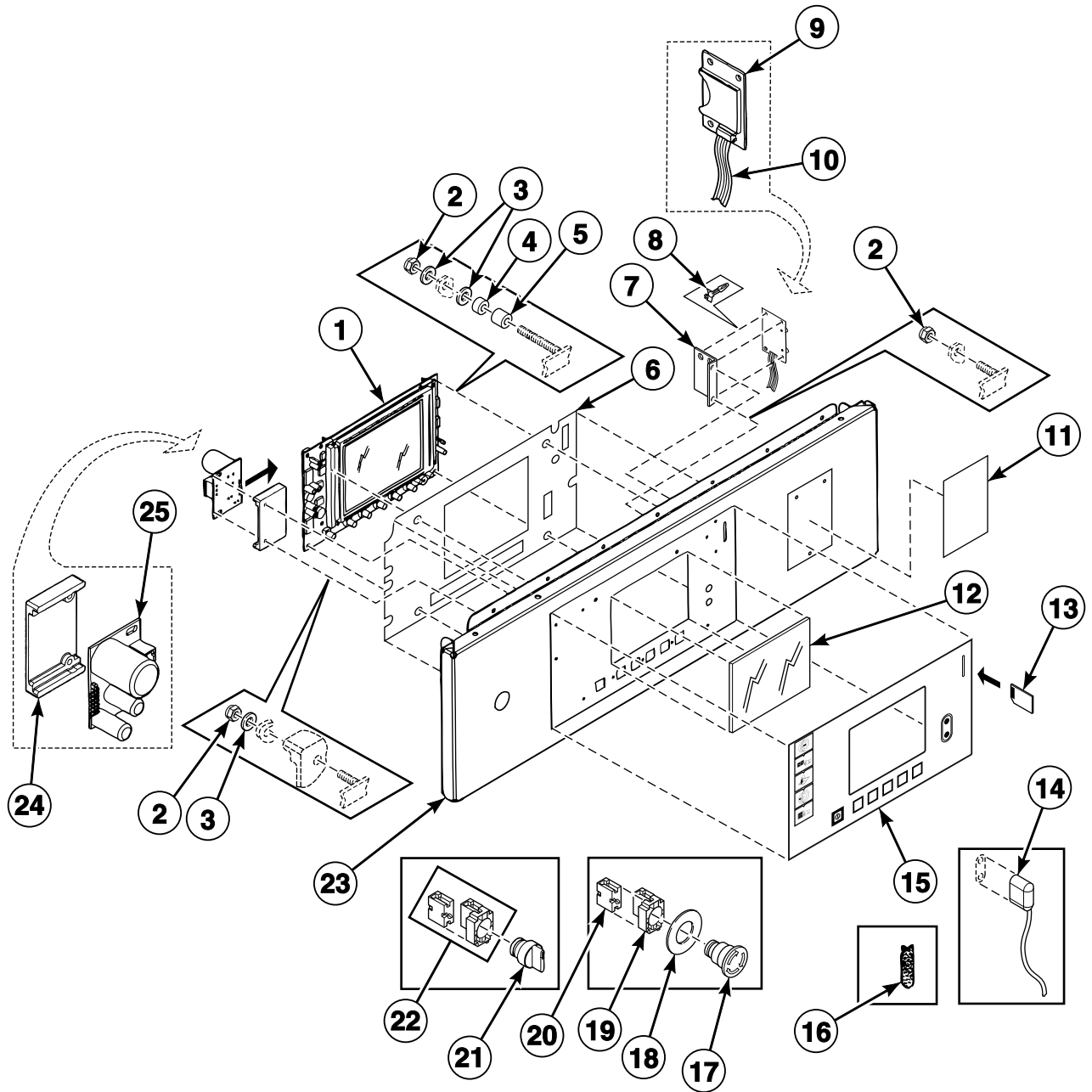


CHM3272P_D1361

Door

REF	PART NO.	DESCRIPTION	COMMENTS
1	B12449801	Door Glass	
2	223/00068/00	Door Glass Seal	
3	B12314901	Door Frame	
4	205/00106/00	Bolt	
5	202/00104/00	Washer	
6	204/00106/00	Nut	
7	202/00110/00	Washer	
8	118/00128/00	Hinge Plate	
9	217/00009/00	Door Hinge Assembly	
10	117/00010/00	Door Hinge Spacer	
11	207/00126/00	Screw	
12	221/00003/00	Hinge	
13	B12500801	Screw	
14	217/00016/00	Door Handle Stop	
15	217/00059/00	Door Handle	Black
	217/00065/00	Door Handle	Gray
16	B12500301	Rivet	
17	B12389701	Magnet	

Control Panel - Cygnus Professional

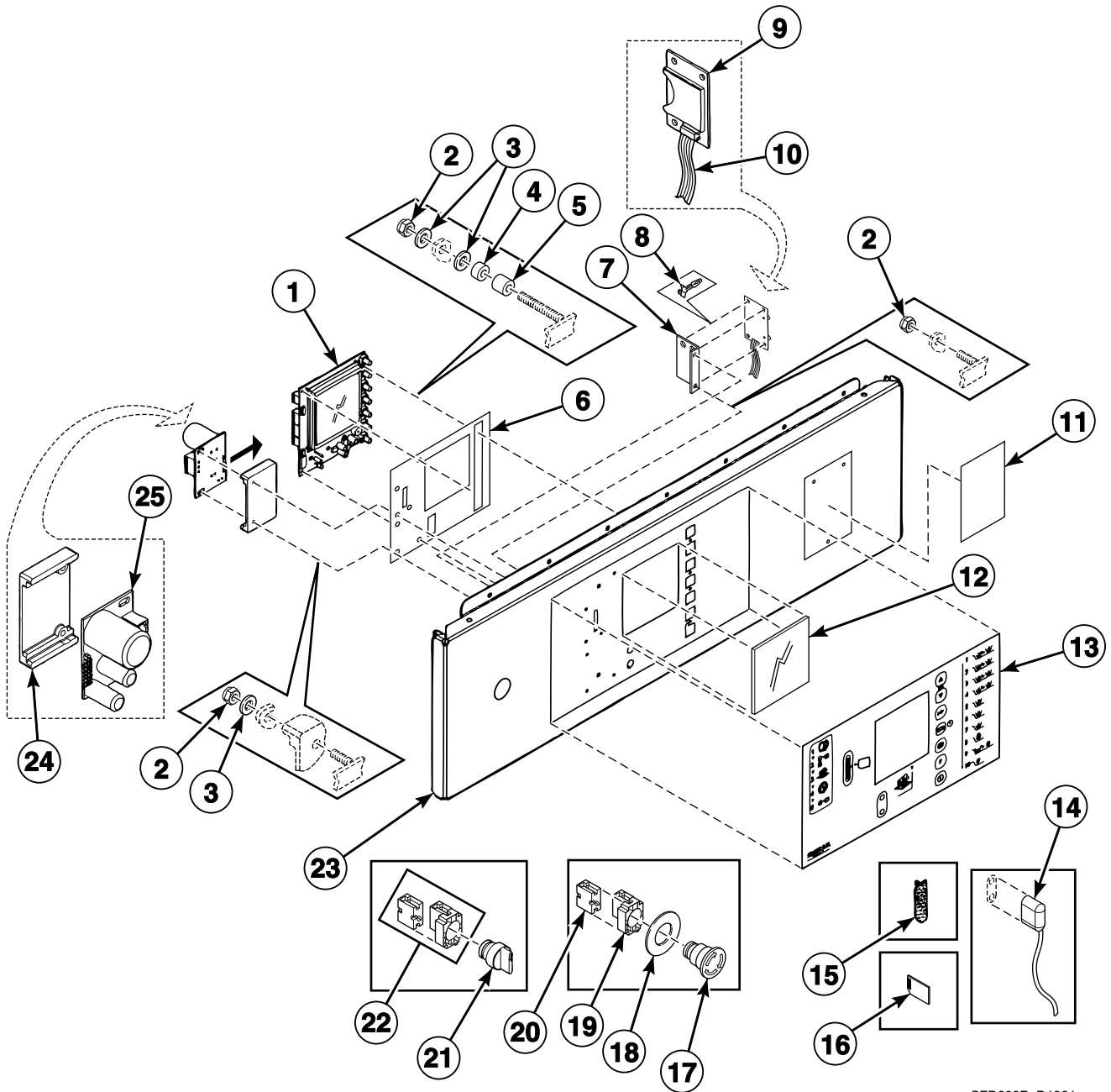


CFD608P_D1361

Control Panel - Cygnus Professional

REF	PART NO.	DESCRIPTION	COMMENTS
	B12348901	E-Stop Harness	
1	209/02002/ZB2	Display PC-Board	
2	204/00116/00	Nut	
3	223/00123/00	Washer	
4	211/00128/00	Printboard Separator	
5	211/00122/00	Standoff	
6	229/00268/00	Insulating Sticker	
7	111/01893/00	Printboard Support Card	Optional
8	211/00145/00	Standoff	
9	B12305201	Memory Card PC-Board	Optional
10	B12538301	Data Card Ribbon Assembly	Optional
11	B12389801	Nameplate	Models IHG065Z, IHG075Z, IHG100Z, IHN065Z, IHN075Z, IHN100Z, IHU065Z, IHU075Z, IHU100Z, IHW065Z, IHW075Z, IHW100Z, IHZ065Z, IHZ075Z, IHZ100Z, WD65_CYGNUS-PRO, WD75_CYGNUS-PRO and WD100_CYGNUS-PRO
	B12389802	Overlay	Models CHN065Z, CHN075Z, CHN100Z, CHU065Z, CHU075Z, CHU100Z, CHW065Z, CHW075Z, CHW100Z, CHZ065Z, CHZ075Z and CHZ100Z
	B12389804	Overlay	Models JHG065Z, JHG075Z, JHG100Z, JHW065Z, JHW075Z and JHW100Z
12	225/00321/00	Plexi Frame	
13	209/02024/00	Datacard	
14	210/00902/00P	Infrared Cable	
15	B12383601	Operating Sticker	Without datacard opening
	B12383701	Operating Sticker	With datacard opening
16	223/00348/00	Datacard Cover	
17	209/00248/20	Mushroom Pushbutton	
18	209/00520/00	Telem Sticker	
19	B12491801	Contact Harness	
20	209/00099/26	Contact Switch	
21	209/00099/29	Switch Knob	Dual heat
	B12523901	Dual Heat Sticker	Dual heat
22	B12491701	Contact Harness	Dual heat
23	B12384801	Operating Panel	
24	223/00374/00	Mounting Plate	
25	B12388201	Door Lock PC-Board	

Control Panel - Cygnus Premium OPL and Ultra

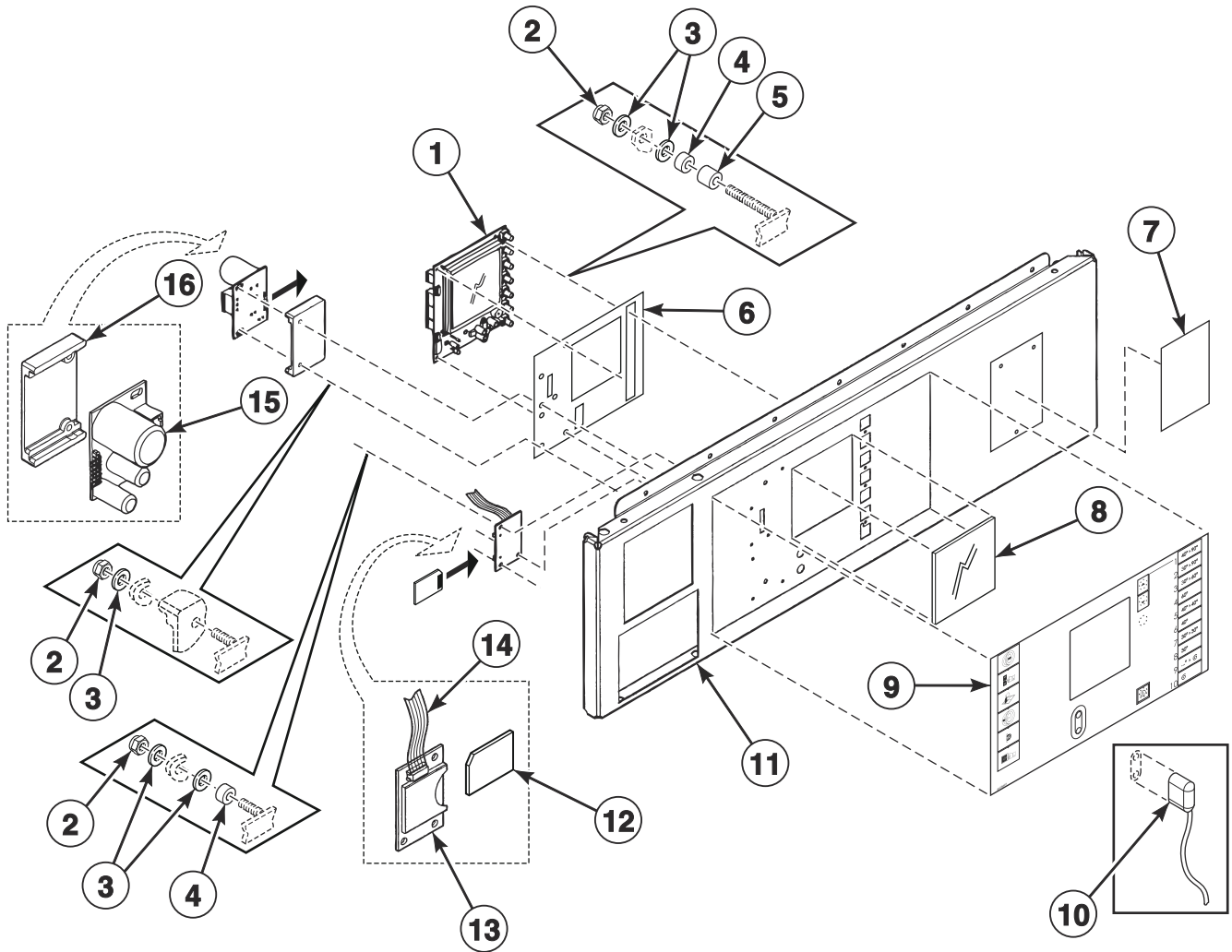


CFD609P_D1361

Control Panel - Cygnus Premium OPL and Ultra

REF	PART NO.	DESCRIPTION	COMMENTS
	B12348901	E-Stop Harness	
1	209/02015/02	Printboard	
2	204/00116/00	Nut	
3	223/00123/00	Washer	
4	211/00128/00	Printboard Separator	
5	211/00122/00	Standoff	
6	229/00291/00	Insulating Sticker	
7	111/01893/00	Printboard Support Card	Optional
8	211/00145/00	Standoff	
9	B12305201	Memory Card PC-Board	Optional
10	B12538301	Data Card Ribbon Assembly	Optional
11	B12389801	Nameplate	Models IH014_CYGNUS-ULTRA, IH018_CYGNUS-ULTRA, IH025_CYGNUS-ULTRA, IHG065Y, IHG075Y, IHG100Y, IHN065U, IHN065Y, IHN075U, IHN075Y, IHN100U, IHN100Y, IHU065Y, IHU075Y, IHU100Y, IHW065Y, IHW075Y, IHW100Y, IHZ065Y, IHZ075Y, IHZ100Y, WD65_CYGNUS-PREM, WD75_CYGNUS-PREM and WD100_CYGNUS-PREM
	B12389804	Overlay	Models JHW065Y, JHW075Y and JHW100Y
	B12389805	Overlay	Models PHU065Y, PHU075Y and PHU100Y
12	225/00323/00	Plexi Frame	
13	B12456701	Operating Sticker	Cygnus Ultra models
	B12383401	Operating Sticker	Cygnus Premium OPL models with datacard opening
	B12383301	Operating Sticker	Cygnus Premium OPL models without datacard opening
14	210/00902/00P	Infrared Cable	
15	223/00348/00	Datacard Cover	Cygnus Premium OPL models
16	209/02024/00	Datacard	Cygnus Premium OPL models
17	209/00248/20	Mushroom Pushbutton	
18	209/00520/00	Telem Sticker	
19	B12491801	Contact Harness	
20	209/00099/26	Contact Switch	
21	209/00099/29	Switch Knob	Dual heat
	B12523901	Dual Heat Sticker	Dual heat
22	B12491701	Contact Harness	Dual heat
23	B12384901	Operating Panel	
24	223/00374/00	Mounting Plate	
25	B12388201	Door Lock PC-Board	

Control Panel - Cygnus Premium Coin

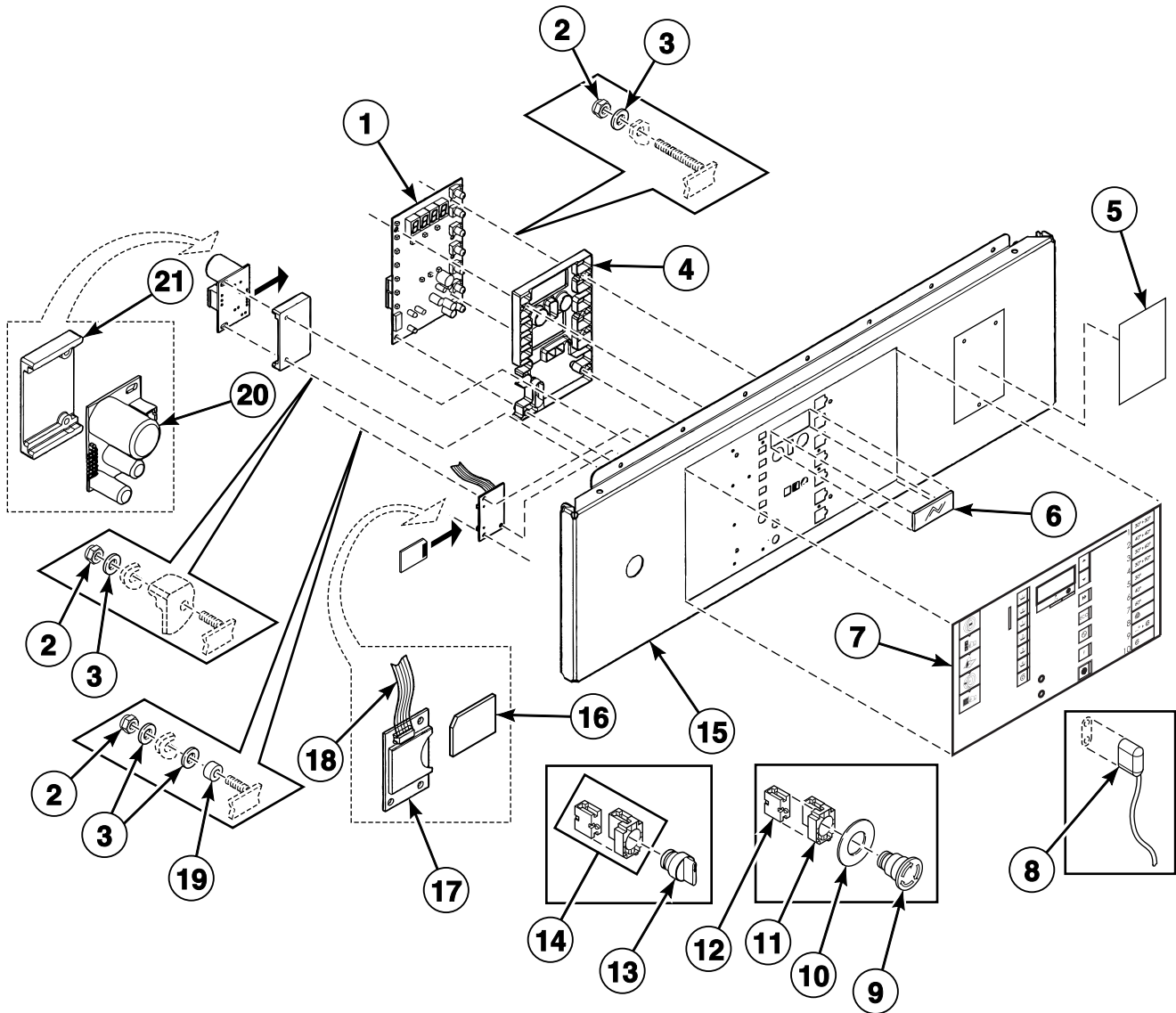


CFD621P_D1361

Control Panel - Cygnus Premium Coin

REF	PART NO.	DESCRIPTION	COMMENTS
	B12349001	E-Stop Bypass Harness	
1	209/02015/02	Printboard	
2	204/00116/00	Nut	
3	223/00123/00	Washer	
4	211/00128/00	Printboard Separator	
5	211/00122/00	Standoff	
6	229/00291/00	Insulating Sticker	
7	B12389801	Nameplate	Models IHG065Y, IHG075Y, IHG100Y, IHN065Y, IHN075Y, IHN100Y, IHU065Y, IHU075Y, IHU100Y, IHW065Y, IHW075Y, IHW100Y, IHZ065Y, IHZ075Y, IHZ100Y, WD65_CYGNUS-PREM, WD75_CYGNUS-PREM and WD100_CYGNUS-PREM
	B12389804	Overlay	Models JHW065Y, JHW075Y and JHW100Y
	B12389805	Overlay	Models PHU065Y, PHU075Y and PHU100Y
8	225/00323/00	Plexi Frame	
9	B12383501	Operating Sticker	
10	210/00902/00P	Infrared Cable	
11	B12385001	Operating Panel	
12	209/02024/00	Datacard	
13	B12305201	Memory Card PC-Board	
14	B12538301	Data Card Ribbon Assembly	
15	B12388201	Door Lock PC-Board	
16	223/00374/00	Mounting Plate	

Control Panel - Cygnus Standard/Commercial OPL and Select

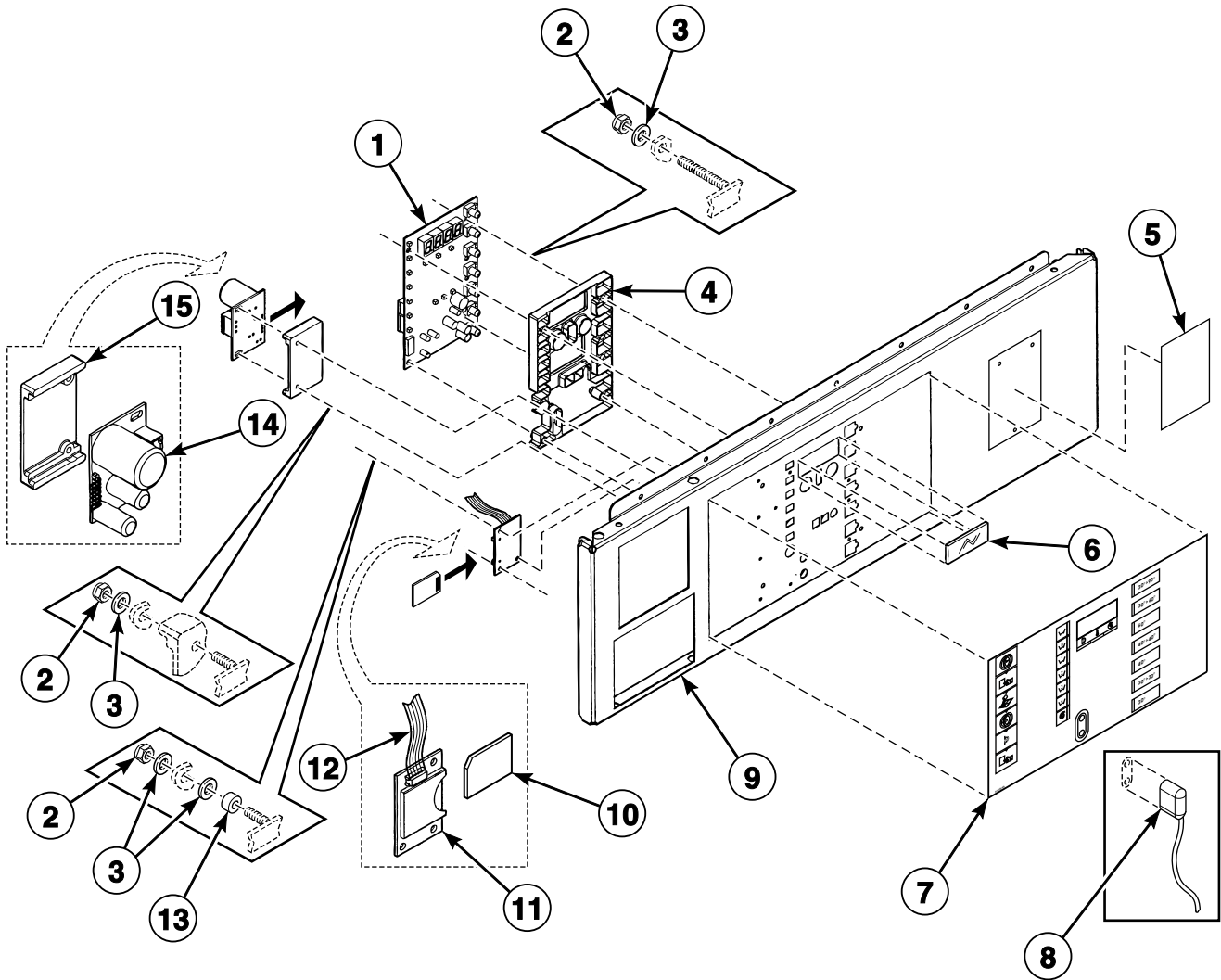


CFD613P_D1361

Control Panel - Cygnus Standard/Commercial OPL and Select

REF	PART NO.	DESCRIPTION	COMMENTS
	B12348901	E-Stop Harness	
1	209/02001/02	Printboard	
2	204/00116/00	Nut	
3	223/00123/00	Washer	
4	223/00330/00	Protection LED	
5	B12389801	Nameplate	Models IH014_CYGNUS-SELECT, IH018_CYGNUS-SELECT, IH025_CYGNUS-SELECT, IHG065C, IHG065X, IHG075C, IHG075X, IHG100C, IHG100X, IHN065C, IHN065S, IHN065X, IHN075C, IHN075S, IHN075X, IHN100C, IHN100S, IHN100X, IHU065C, IHU065X, IHU075C, IHU075X, IHU100C, IHU100X, IHW065C, IHW075C, IHW075X, IHW100C, IHW100X, IHZ065C, IHZ065X, IHZ075C, IHZ075X, IHZ100C, IHZ100X, WD65_CYGNUS-COMM, WD65_CYGNUS-STANDARD, WD75_CYGNUS-COMM, WD75_CYGNUS-STANDARD, WD100_CYGNUS-COMM, WD100_CYGNUS-STANDARD, YHG065C, YHG075C and YHG100C
	B12389802	Overlay	Models CH018_CYGNUS-SELECT, CH025_CYGNUS-SELECT, CHG065X, CHG075X, CHG100X, CHN065X, CHN075S, CHN075X, CHN100S, CHN100X, CHU065X, CHU075X, CHU100X, CHW065X, CHW075X, CHW100X, CHZ065X, CHZ075X and CHZ100X
	B12389803	Overlay	Models DHU065X, DHU075X and DHU100X
	B12389804	Overlay	Models JHW065C, JHW065X, JHW075C, JHW075X, JHW100C and JHW100X
	B12389809	Overlay	Models EHU065X, EHU075X and EHU100X
	B12389810	Overlay	Models WHU065C, WHU075C and WHU100C
6	225/00322/00	Plexi Frame	
7	B12382701	Operating Sticker	Cygnus Standard OPL models without datacard opening
	B12382801	Operating Sticker	Cygnus Standard OPL models with datacard opening
	B12383001	Operating Sticker	Cygnus Commercial OPL models without datacard opening
	B12383101	Operating Sticker	Cygnus Commercial OPL models with datacard opening
	B12456601	Operating Sticker	Cygnus Select models
8	210/00902/00P	Infrared Cable	
9	209/00248/20	Mushroom Pushbutton	
10	209/00520/00	Telem Sticker	
11	B12491801	Contact Harness	
12	209/00099/26	Contact Switch	
13	209/00099/29	Switch Knob	Dual heat
	B12523901	Dual Heat Sticker	Dual heat
14	B12491701	Contact Harness	Dual heat
15	B12384601	Operating Panel	
16	209/02024/00	Datacard	Optional
17	B12305201	Memory Card PC-Board	Optional
18	B12538301	Data Card Ribbon Assembly	Optional
19	211/00128/00	Printboard Separator	
20	B12388201	Door Lock PC-Board	
21	223/00374/00	Mounting Plate	

Control Panel - Cygnus Standard/Commercial Coin and Vended



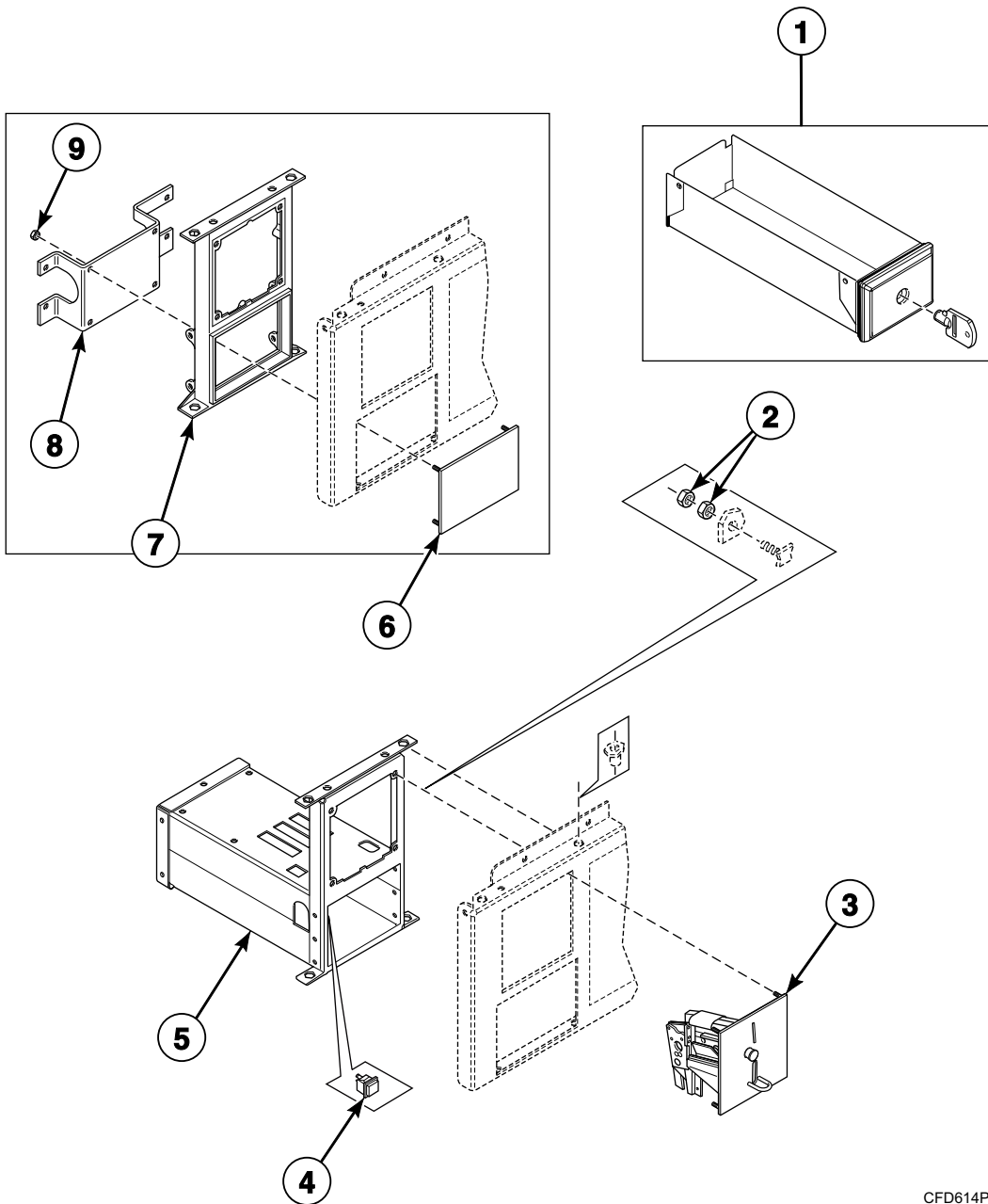
CFD611P_D1361

Control Panel - Cygnus Standard/Commercial Coin and Vended

REF	PART NO.	DESCRIPTION	COMMENTS
	B12349001	E-Stop Bypass Harness	
1	209/02001/02	Printboard	
2	204/00116/00	Nut	
3	223/00123/00	Washer	
4	223/00330/00	Protection LED	
5	B12389801	Nameplate	Models IH014_CYGNUS-VENDED, IH018_CYGNUS-VENDED, IH025_CYGNUS-VENDED, IHG065C, IHG065X, IHG075C, IHG075X, IHG100C, IHG100X, IHN065C, IHN065V, IHN065X, IHN075C, IHN075V, IHN075X, IHN100C, IHN100V, IHN100X, IHU065C, IHU065X, IHU075C, IHU075X, IHU100C, IHU100X, IHW065C, IHW075C, IHW075X, IHW100C, IHW100X, IHZ065C, IHZ065X, IHZ075C, IHZ075X, IHZ100C, IHZ100X, WD65_CYGNUS-COMM, WD65_CYGNUS-STANDARD, WD75_CYGNUS-COMM, WD75_CYGNUS-STANDARD, WD100_CYGNUS-COMM, WD100_CYGNUS-STANDARD, YHG065C, YHG075C and YHG100C
	B12389802	Overlay	Models CHG065X, CHG075X, CHG100X, CHN065X, CHN075X, CHN100X, CHU065X, CHU075X, CHU100X, CHW065X, CHW075X, CHW100X, CHZ065X, CHZ075X and CHZ100X
	B12389803	Overlay	Models DHU065X, DHU075X and DHU100X
	B12389804	Overlay	Models JHW065C, JHW065X, JHW075C, JHW075X, JHW100C and JHW100X
	B12389809	Overlay	Models EHU065X, EHU075X and EHU100X
	B12389810	Overlay	Models WHU065C, WHU075C and WHU100C
6	225/00322/00	Plexi Frame	
7	B12382901	Operating Sticker	Cygnus Standard coin models
	B12383201	Operating Sticker	Cygnus Commercial coin models
	B12456501	Operating Sticker	Models IH014_CYGNUS-VENDED, IH018_CYGNUS-VENDED, IH025_CYGNUS-VENDED, IHN065V, IHN075V and IHN100V
8	210/00902/00P	Infrared Cable	
9	B12384701	Operating Panel	
10	209/02024/00	Datacard	Cygnus Standard/Commercial coin models
11	B12305201	Memory Card PC-Board	Cygnus Standard/Commercial coin models
12	B12538301	Data Card Ribbon Assembly	Cygnus Standard/Commercial coin models
13	211/00128/00	Printboard Separator	
14	B12388201	Door Lock PC-Board	
15	223/00374/00	Mounting Plate	

Coin Drop - Mechanical Coin Meter

Cygnus Commercial, Premium, Standard and Vended Models



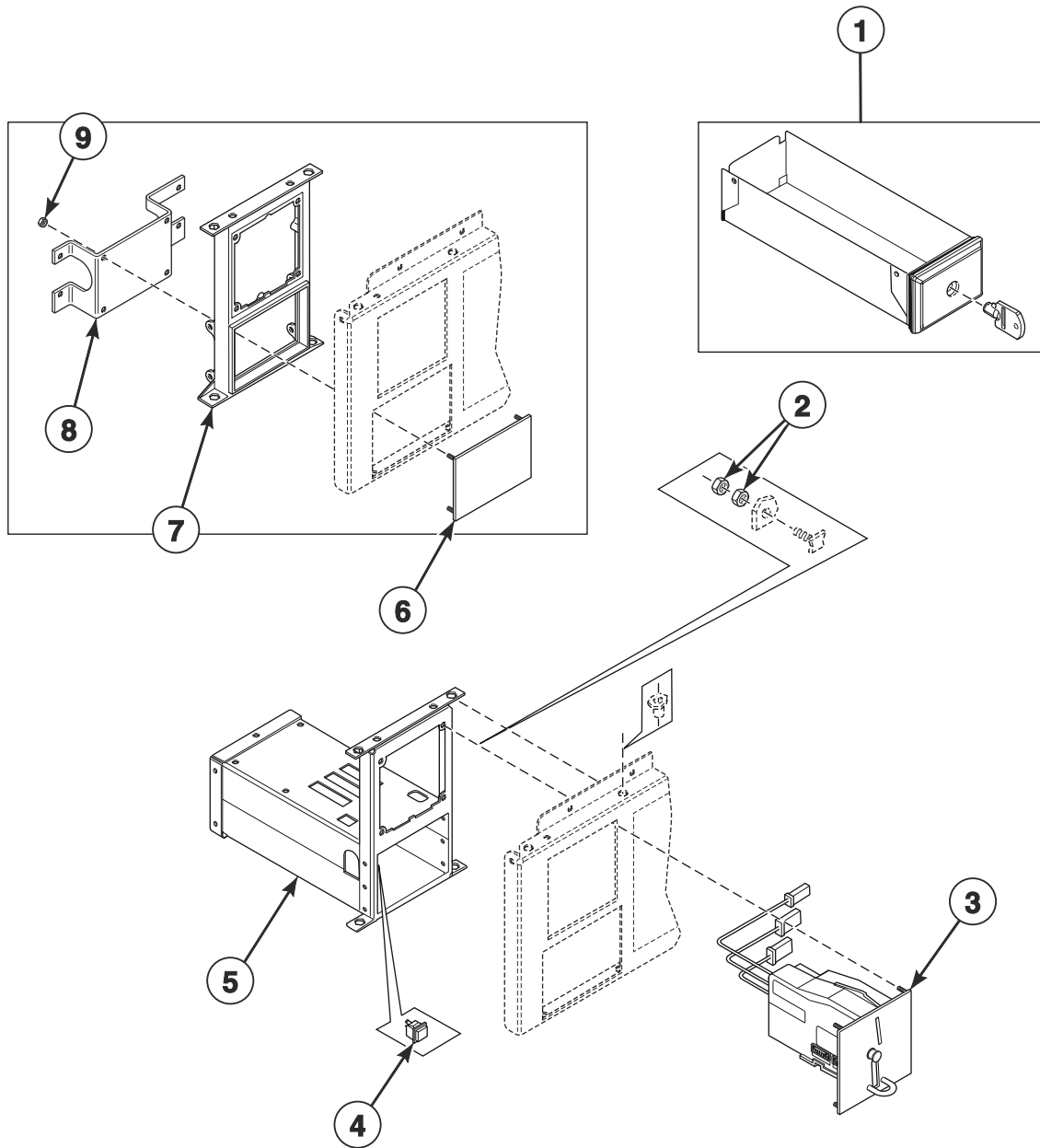
CFD614P_D1361

Coin Drop - Mechanical Coin Meter

REF	PART NO.	DESCRIPTION	COMMENTS
	B12309901	Wire Harness Assembly	Single/dual drop
	B12310001	Wire Harness Assembly	Dual drop
1	254/00077/00	Coin Box	
	254/00077/02	Key	
2	204/00116/00	Nut	
3	B12311224	Coin Drop	Mechanical; Jeton 5K
	B12311206	Coin Drop	Mechanical; Jeton 7K
	B12311201	Coin Drop	Mechanical; Jeton 10K
	B12311210	Coin Drop	Mechanical; Jeton 12K
	B12311252	Coin Drop	Mechanical; Jeton10K and .5 euro
	B12311211	Coin Drop	Mechanical; Jeton 7K and 1 euro
	B12323901	Coin Drop	Mechanical; Jeton 15K and 7K
	B12311204	Coin Drop	Mechanical; Jeton gettone
	B12311234	Coin Drop	Mechanical; Jeton crouzet
	B12311247	Coin Drop	Mechanical; Jeton 118-1
	B12311248	Coin Drop	Mechanical; Jeton 118-5
	B12311222	Coin Drop	Mechanical; 1 euro
	B12311214	Coin Drop	Mechanical; .5 euro
	B12311202	Coin Drop	Mechanical; .5 and 1 euro
	B12311239	Coin Drop	Mechanical; .5 and 2 euro
	B12311205	Coin Drop	Mechanical; .2 and 1 euro
	B11211209	Coin Drop	Mechanical; .2 and .5 euro
	B12311218	Coin Drop	Mechanical; 1 and 1 euro
	B12311219	Coin Drop	Mechanical; 1 and 2 euro
	B12311203	Coin Drop	Mechanical; 1 and 2 frank
	B12311207	Coin Drop	Mechanical; 1 Deense kroon
	B12311225	Coin Drop	Mechanical; 10 Deense kronen
	B12311235	Coin Drop	Mechanical; 10 Tsjechische kronen
	B12311244	Coin Drop	Mechanical; 10 Noorse kronen
	B12311208	Coin Drop	Mechanical; 100 and 500 yen
	B12311212	Coin Drop	Mechanical; 15K
	B12311215	Coin Drop	Mechanical; 1 kro
	B12311226	Coin Drop	Mechanical; Australia 1.00
	B12311216	Coin Drop	Mechanical; Australia .2 and 1.00
	B12311220	Coin Drop	Mechanical; New Zeland 1.00
	B12311221	Coin Drop	Mechanical; .5 and 2 zwitsers
	B12311241	Coin Drop	Mechanical; Hong Kong 1.00
	B12311249	Coin Drop	Mechanical; Hong Kong 5.00
	B12311301	Coin Drop	Mechanical; U.S. \$.25
	B12311302	Coin Drop	Mechanical; U.S. \$.25 and 1.00
	B12311304	Coin Drop	Mechanical; Canada .25 and 1.00
	B12323401	Coin Drop	Mechanical; Singapore 1.00
4	209/00396/00	Pushbutton	
5	152/00112/00	Mechanical Coin Meter Housing	
6	111/01003/00	Top Panel	Black; Central pay option
7	217/00060/00	Fastening Piece	Central pay option
8	111/01005/00	Backplate	Central pay option
9	204/00116/00	Nut	Central pay option

Coin Drop - Electronic Coin Meter

Cygnus Commercial, Premium, Standard and Vended Models

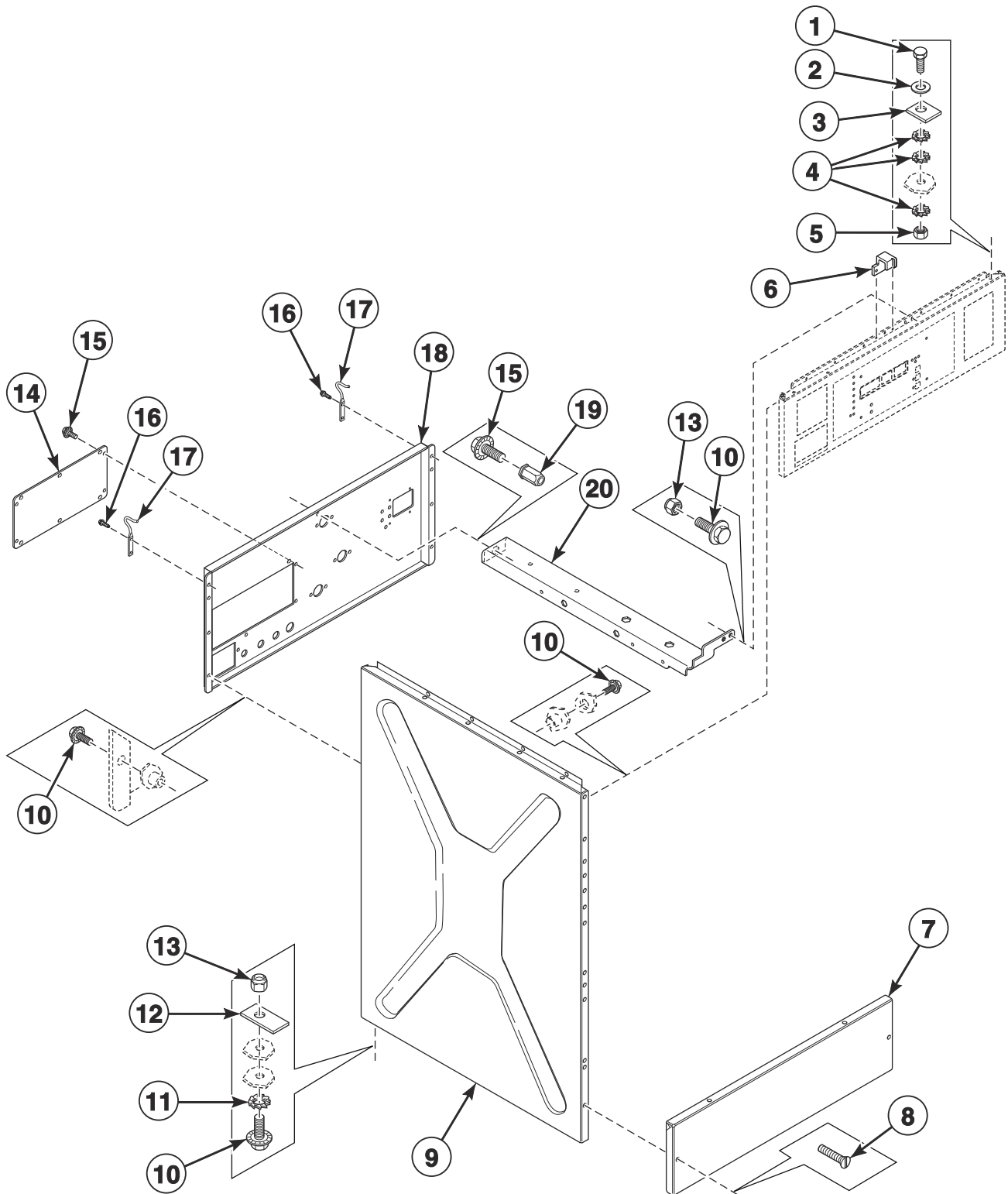


CFD617P_D1361

Coin Drop - Electronic Coin Meter

REF	PART NO.	DESCRIPTION	COMMENTS
	B12309901	Wire Harness Assembly	Single/dual drop
	B12310001	Wire Harness Assembly	Dual drop
1	254/00077/00	Coin Box	
	254/00077/02	Key	
2	204/00116/00	Nut	
3	B12311401	Coin Drop	
4	209/00396/00	Pushbutton	
5	152/00112/50	Electronic Coin Meter Housing	
6	111/01003/00	Top Panel	Black; Central pay option
7	217/00060/00	Fastening Piece	Central pay option
8	111/01005/00	Backplate	Central pay option
9	204/00116/00	Nut	Central pay option

Left Side, Lower Front and Upper Rear Panels

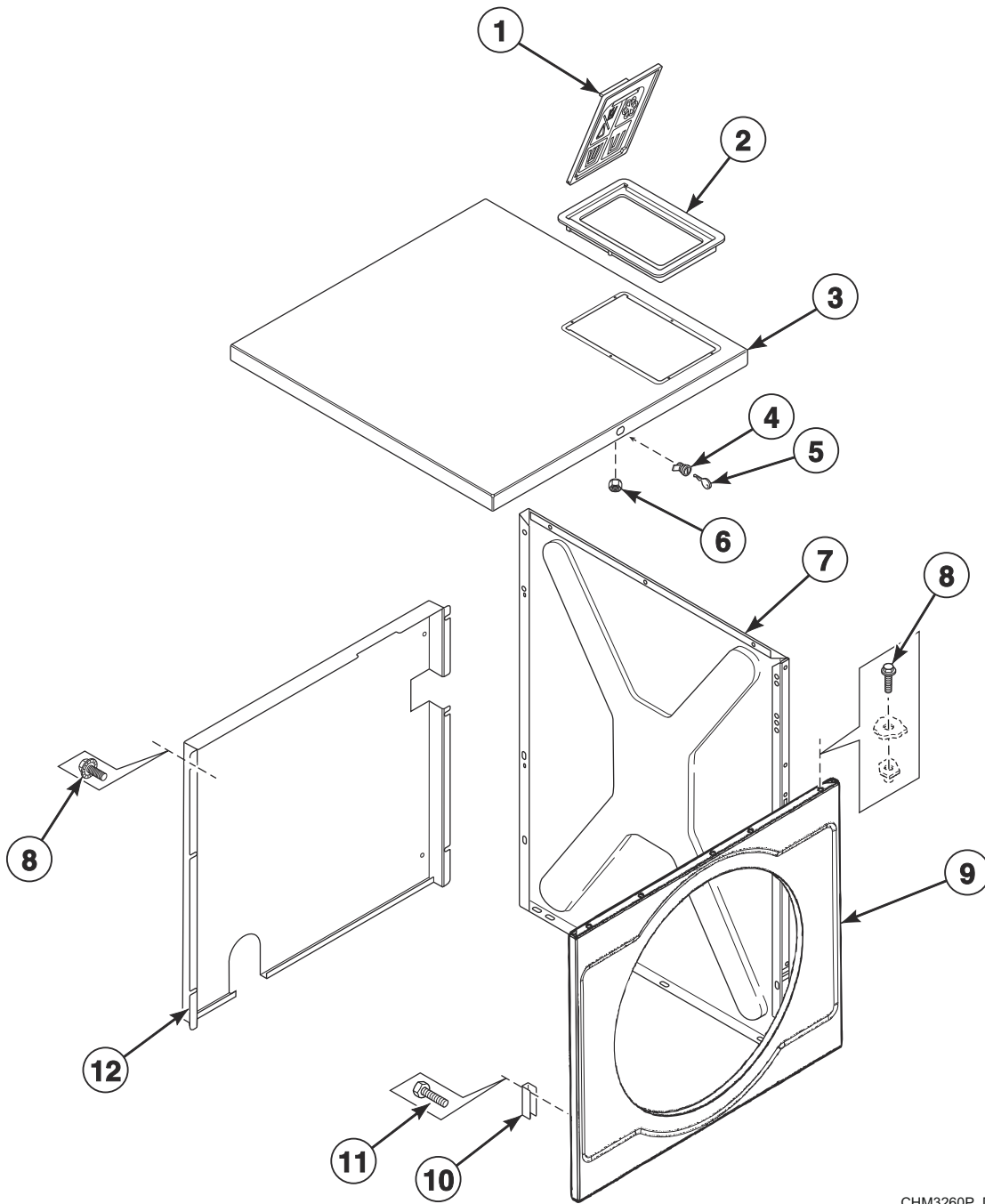


CHM3209P_D1361

Left Side, Lower Front and Upper Rear Panels

REF	PART NO.	DESCRIPTION	COMMENTS
1	205/00106/00	Bolt	
2	202/00003/00	Washer	
3	117/00042/00	Retaining Ring	
4	203/00005/00	Washer	
5	204/00107/00	Nut	
6	F8201001	Top Cover Latch	
7	111/01803/00	Lower Front Panel	
8	B12500601	Screw	
9	111/10089/00	Side Panel	*14, *18, *65 and *75 models; Stainless steel
	111/10097/00	Side Panel	*25 and *100 models; Stainless steel
	111/60031/00	Side Panel	*14, *18, *65 and *75 models; Black
	111/60034/00	Side Panel	*25 and *100 models; Black
10	205/00105/00	Bolt	
11	203/00004/00	Washer	
12	101/00007/00	Outlet Pipe Plate Assembly	
13	204/00009/00	Nut	
14	B12312501	Main Switch Cover	
15	206/00104/00	Screw	
16	B12462901	Screw	
17	B12487401	Top Cover Hinge	
18	B12312301	Backbridge	
19	204/00011/00	Nut	
20	B12324101	Supply Dispenser Crossbar	*14, *18, *65 and *75 models
	B12324601	Supply Dispenser Crossbar	*25 and *100 models

Right Side, Front, Lower Rear and Top Panels

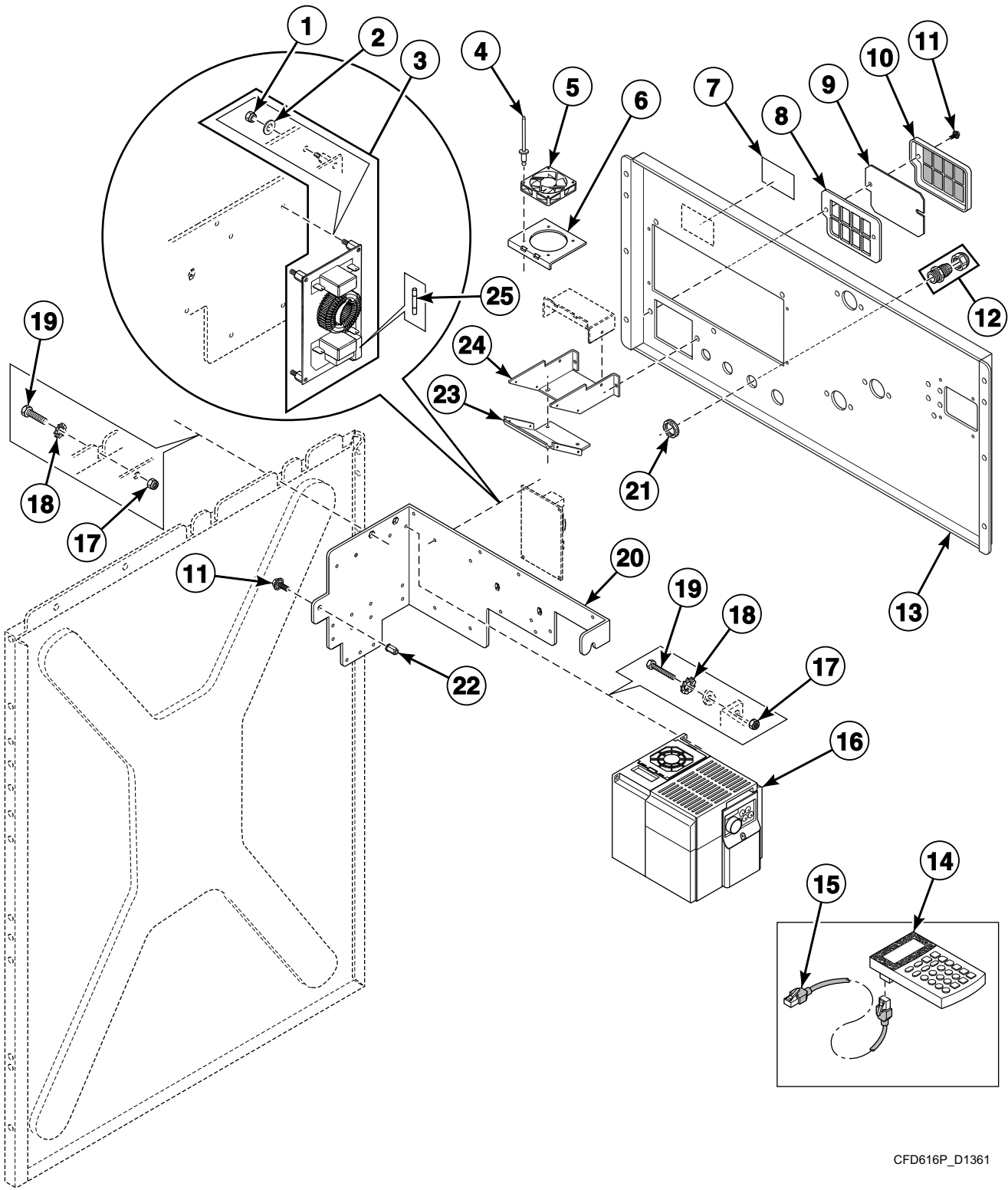


CHM3260P_D1361

Right Side, Front, Lower Rear and Top Panels

REF	PART NO.	DESCRIPTION	COMMENTS
1	B12319101	Supply Dispenser Cover	U.S. models
	B12356701	Supply Dispenser Cover	International models
2	B12319201	Supply Dispenser Cover Frame	
3	B12324301	Top Panel	*14, *18, *65 and *75 models
	B12325401	Top Panel	*25 and *100 models
4	44089303P	Panel Lock	Includes item 5
5	70155603	Key	
6	44088801	Nut	
7	111/10089/00	Side Panel	*14, *18, *65 and *75 models; Stainless steel
	111/10097/00	Side Panel	*25 and *100 models; Stainless steel
	111/60031/00	Side Panel	*14, *18, *65 and *75 models; Black
	111/60034/00	Side Panel	*25 and *100 models; Black
8	206/00104/00	Screw	
9	111/00290/00	Front Panel	
10	111/10089/01	Reinforcement Plate	
11	206/00114/00	Bolt	
12	B12312601	Lower Rear Panel	

Inverter Drive

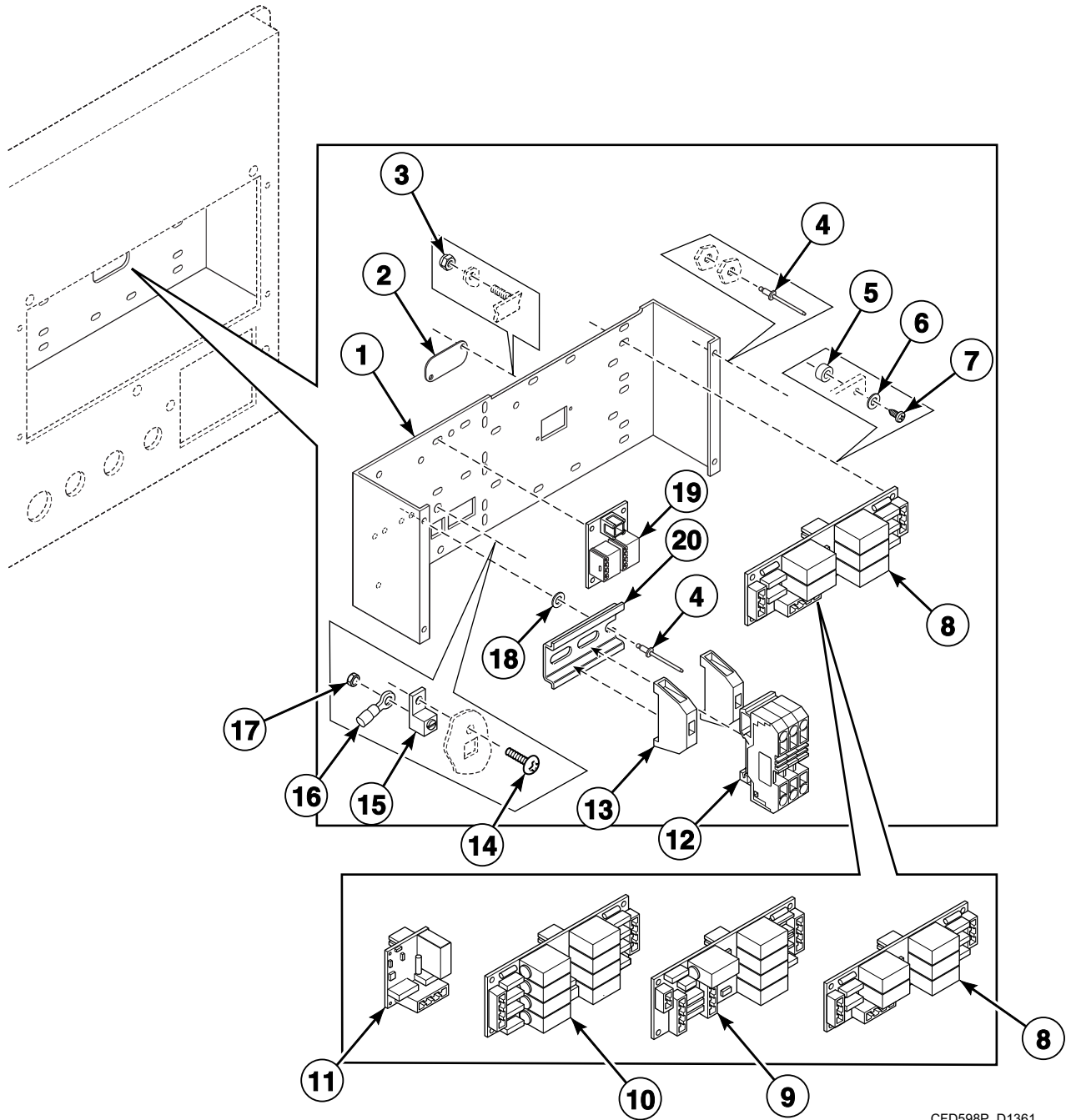


CFD616P_D1361

Inverter Drive

REF	PART NO.	DESCRIPTION	COMMENTS
	B12501501	E-Stop Drive Fan Harness	
	B12350101	Ethernet Cable	
1	204/00014/00	Nut	
2	202/00004/00	Washer	
3	B12339301	Noise Filter	15A1; 1x230 Volt; C, Q and X-voltage
	227/00242/00	Noise Filter	8A3; 3x400 Volt; N and P-voltage
4	208/00017/00	Rivet	
5	209/00465/00	Fan	
6	B12357201	Fan Mounting Plate	
7	B12355001	Voltage Discharge Decal	
8	B12372401	Inverter Air Inlet Filter Frame	Inside
9	B12382401	Inverter Air Inlet Filter Grill	
10	B12346701	Inverter Air Inlet Filter Frame	Outside
11	206/00104/00	Screw	
12	211/00181/00	Strain Relief Connector	
13	B12312301	Backbridge	
14	227/00171/00	Parameter Unit Assembly	Hand held
15	227/00171/10	Parameter Unit Program Cable	
16	227/00228/00	Inverter Drive	700 series; 1x230 Volt; C, Q and X-voltage
	227/00236/00	Inverter Drive	700 series; 3x400 Volt; N and P-voltage
17	204/00114/00	Nut	
18	203/00006/00	Washer	
19	206/00088/00	Bolt	
20	B12313101	Inverter Drive Box	
21	211/00170/00	Nut	
22	204/00011/00	Nut	
23	B12342701	Air Inlet Bottom	
24	B12342501	Air Inlet	
25	B12389501	Fuse	3.15 A; 500 Volt; Used with 227/00242/00 Filter; N and P-voltage
	209/00468/00	Fuse	3.15 A; Used with B12339401 Noise Filter; C, Q and X-voltage

Printboard Support Panel and Soap Injection Printboards

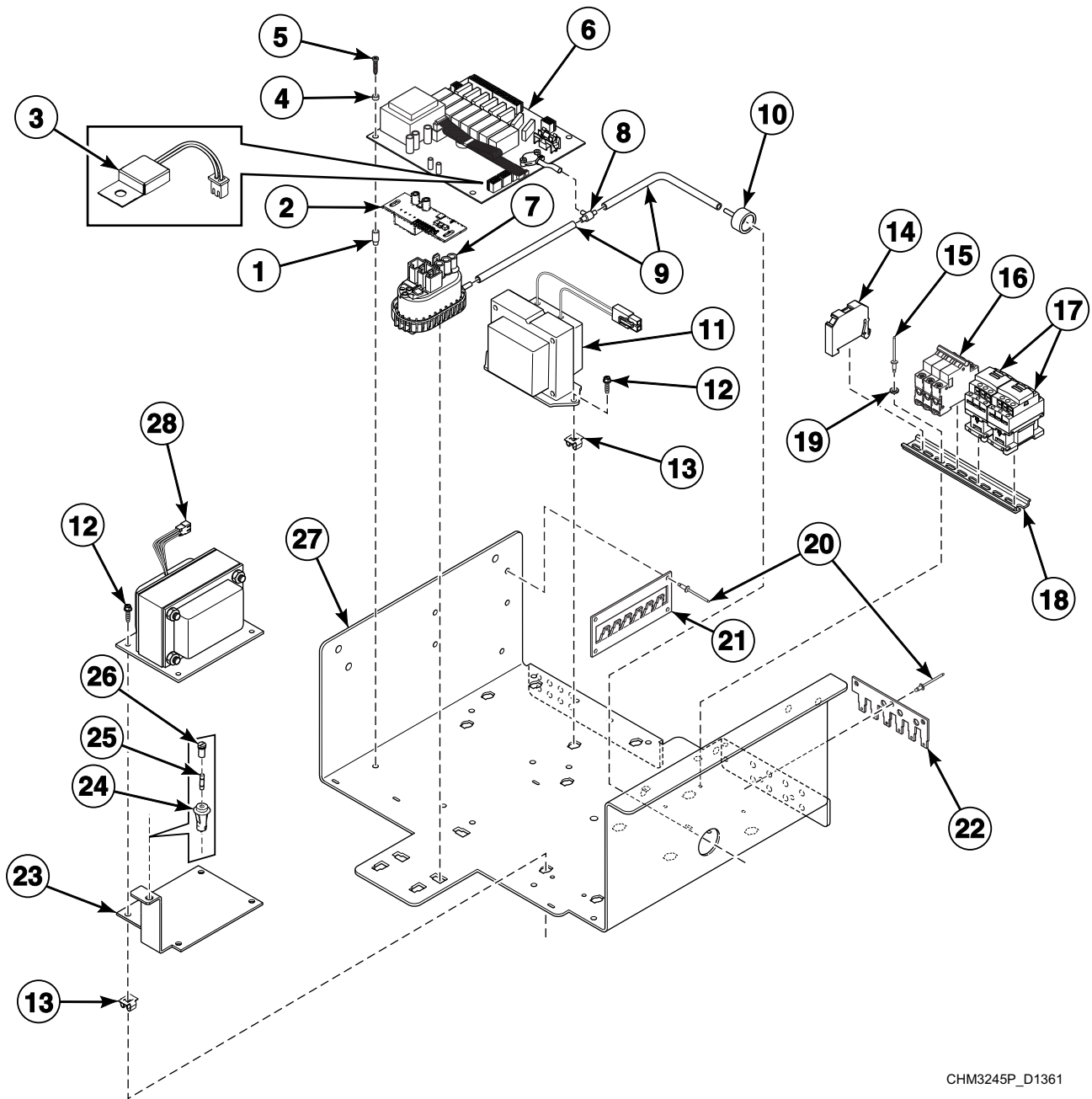


CFD598P_D1361

Printboard Support Panel and Soap Injection Printboards

REF	PART NO.	DESCRIPTION	COMMENTS
	B12388301	Ribbon Assembly	Used with items 8-11
1	B12312401	Printboard Support	
2	B12382501	Flat Cable Plate	
3	204/00116/00	Nut	
4	208/00017/00	Rivet	
5	B12390301	Standoff	
6	223/00123/00	Washer	
7	B12393801	Screw	
8	209/02005/00	Detergent PC-Board	1-5
9	209/02014/00	Relay PC-Board	5-5
10	209/02008/00	Detergent PC-Board	1-8
11	209/02016/00	Relay PC-Board	1-1
12	209/01625/00	Terminal Block	Grey; 3 on C, N, P and Q-voltage; 1 on X-voltage
	209/01624/00	Terminal Block	Blue; 1 on C and X-voltage
	209/01625/01	Terminal End	
13	209/00633/02	End Stop	
14	206/00104/00	Screw	
15	M411283	Ground Lug Connector	
16	B12456001	Wiring Earth for Inverter	
17	206/00101/00	Nut	
18	202/00004/00	Washer	
19	B12344201	Network Board	Network models
20	B12315401	DIN Rail	60 mm

Electrical Component Mounting Plate

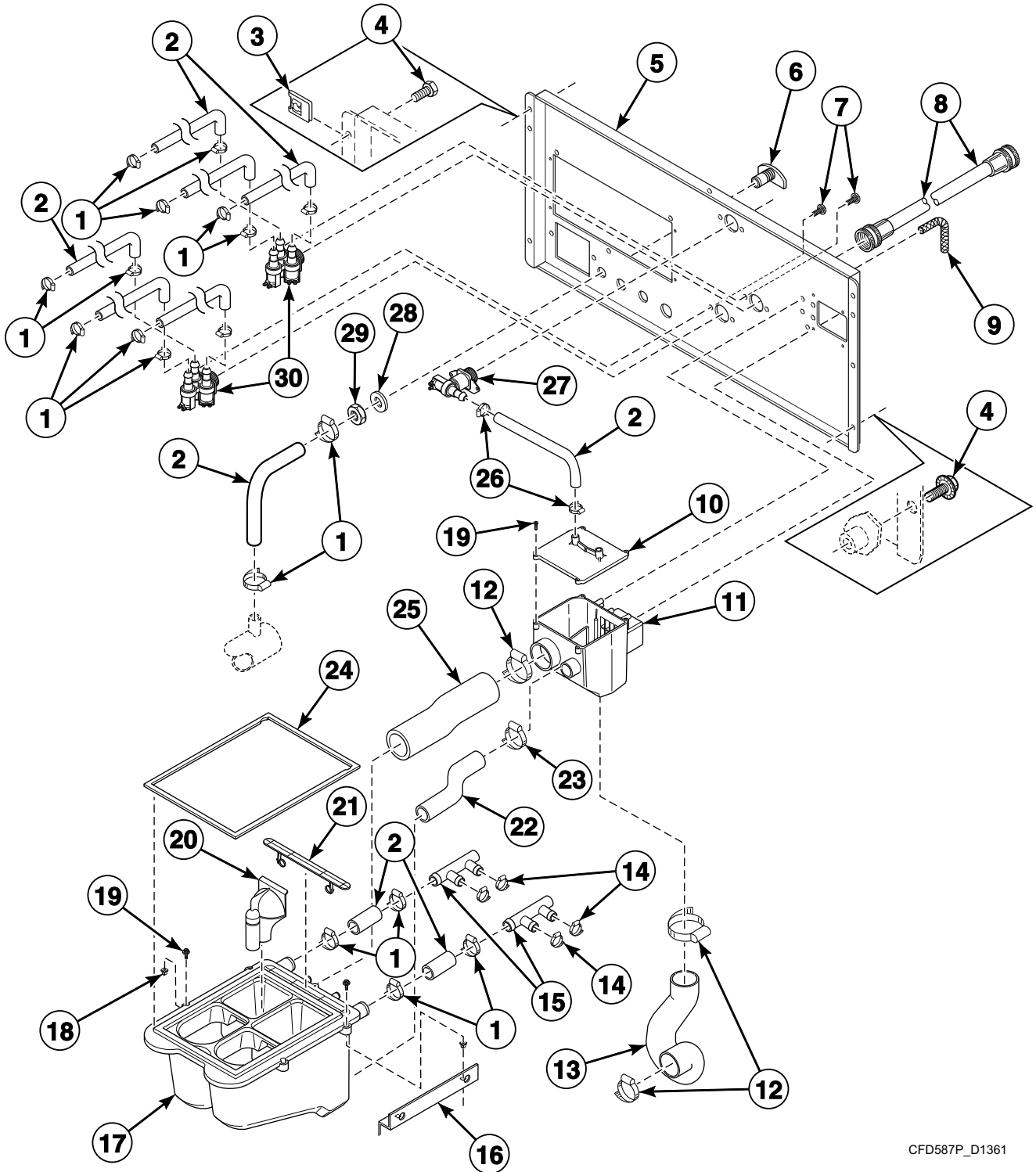


CHM3245P_D1361

Electrical Component Mounting Plate

REF	PART NO.	DESCRIPTION	COMMENTS
	B12392701	Direct Fill Harness	
	B12381101	Main Control Tray Harness	
	B12348801	Harness Control Comm	
	B12348301	Control Supply Harness	N and P-voltage
	B12348101	Control Supply Harness	C, Q and X-voltage
	B12381402	Control Supply Harness	24 VAC; Direct fill
	B12390201	Network Connection Wiring	
1	B12390301	Standoff	
2	B12341801	Printboard	Network models
3	209/02020/00	ID Chip	
4	223/00123/00	Washer	
5	B12393801	Screw	
6	B12355701	Control Board	
	B12360001	Fuse	1.25A
7	209/00027/10B	Water Level Switch	Single lever; 200/160; Electric, steam and dual heat
8	223/00173/10	Pressure Switch Hose Tee	
9	223/00333/00	Pressure Hose	
10	223/00035/02	Pressure Switch Cap	
11	201616	Transformer	Models with extension boards
12	B12462901	Screw	
13	B12449601	Expansion Clip	N and P-voltage
14	209/00633/02	End Stop	Electric, steam or dual heat
15	208/00017/00	Rivet	
16	B12487101	Circuit Breaker	C and Q-voltage; Electric heat
	B12474601	Circuit Breaker	N and P-voltage; Electric heat
17	209/06148/02	Heating Contactor	1 on C, P and N-voltage; 2 on Q-voltage; Electric heat
	B12381301	Heating Contactor	
18	B12315301	DIN Rail	200 mm
19	202/00004/00	Washer	
20	208/00017/00	Rivet	
21	B12395201	Earth Plate Side	
22	B12395301	Earth Plate Bottom	
23	B12439601	Transformer Fuse Mounting Plate	N and P-voltage
24	70329401	Fuse Holder Body	N and P-voltage
25	802492	Fuse	N and P-voltage
26	70329501	Fuse Holder Cap	N and P-voltage
27	B12313001	Electrical Component Mounting Plate	
28	F8401301	Transformer	N and P-voltage

Fill Plumbing Assembly

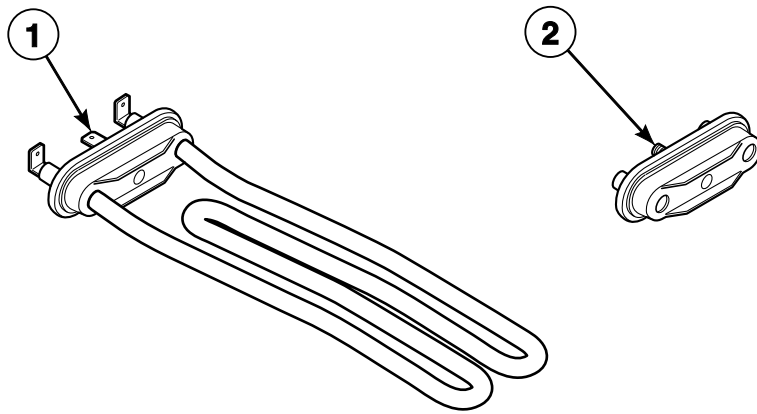


CFD587P_D1361

Fill Plumbing Assembly

REF	PART NO.	DESCRIPTION	COMMENTS
	B12349201	Inlet Valve Harness	
1	223/00010/00	Hose Clamp	
2	223/00044/01	Water Hose	
3	B12469601	Clip	
4	B12462901	Screw	
5	B12312301	Backbridge	
6	223/00001/04	Prewash and Mainwash Nozzle	
7	206/00027/00	Bolt	
8	F200164	Water Hose	Standard thread
	F200166	Water Hose	Metric thread
9	223/00179/10	Pressure Hose	
10	F8439301	Vacuum Breaker Cover	
11	F8048601	Vacuum Breaker Assembly	Includes item 10
12	223/00014/00	Hose Clamp	
13	B12324506	Siphon Break Hose	
14	223/00011/00	Hose Clamp	
15	F8333201	Manifold	
16	B12316401	Supply Dispenser Support	
17	F8047401	Dispenser Assembly	
18	B12463001	Insert	
19	B12462801	Screw	
20	F8047901	Siphon Cover	
21	F8047801	Access Cover	
22	B12313303	Dispenser Overflow Hose	
23	223/00223/00	Hose Clamp	
24	F8308301	Dispenser Gasket	
25	B12390004	Vacuum Supply Hose	
26	223/00013/00	Hose Clamp	
27	209/00276/00	Inlet Valve	1-way; E.U. thread; Hard water rinse optional
	223/00050/01	Water Valve Adapter	U.S. thread
28	201/00002/00	Washer	
29	204/00201/00	Nut	
30	B12463101	Inlet Valve	3-way; U.S. thread
	B12496201	Inlet Valve	3-way; E.U. thread

Steam and Electric Heating Options



CFD601P_D1361

Steam and Electric Heating Options

REF	PART NO.	DESCRIPTION	COMMENTS
	B12308001	Relay	Steam heat
	209/06148/02	Heating Contactor	Steam heat
	B12349601	Electric Heat Harness	
	B12349701	Steam Heat Harness	
	B12349801	Dual Heat Harness	
	B12348502	Branch Harness	Electric heat; Q-voltage; *18, *25, *75 and *100 models
	B12348504	Branch Harness	Electric heat; C, N and P-voltage; *14 and *165 models with Q-voltage
	B12381202	Power Jumper Harness	Electric heat; Q-voltage
	B12381204	Power Jumper Harness	Electric heat; Q-voltage
	B12382302	Steam Valve Harness	
	B12455801	Heat Harness	Electric heat; Q-voltage
	B12455901	Heat Harness	Electric heat; C, N and P-voltage
1	209/00562/10	Heating Element	3 kW; 240 Volt; C, P and Q-voltage
	209/00564/20	Heating Element	3 kW; 275 Volt; N-voltage
2	209/00196/00	Heating Element Plug	