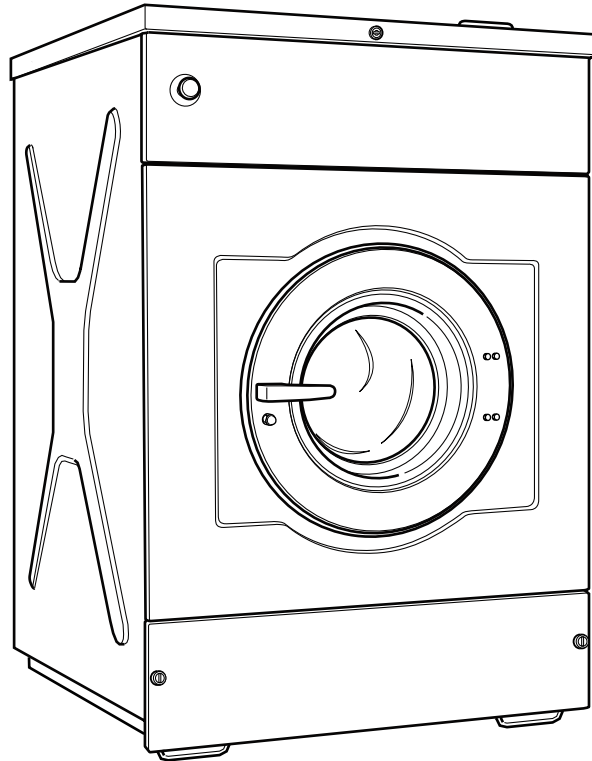


Washer-Extractor

Cabinet Hardmount

Refer to Page 3 for Model Numbers



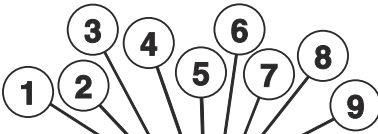
CFD651N_D1364

Model Identification

Information in this manual is applicable to these washer-extractor models:



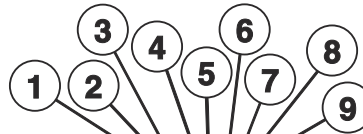
CH055_CYGNUS-SELECT	CHZ235X	IHU235C	JHG235Z
CH055_CYGNUS-ULTRA	CHZ235Z	IHU235X	JHG305Z
CH075_CYGNUS-SELECT	CHZ305X	IHU235Y	JHG400Z
CH075_CYGNUS-ULTRA	CHZ305Z	IHU235Z	JHW235C
CH090_CYGNUS-SELECT	CHZ400X	IHU305C	JHW235X
CH090_CYGNUS-ULTRA	CHZ400Z	IHU305X	JHW235Y
IH055_CYGNUS-SELECT	DHU235X	IHU305Y	JHW235Z
IH055_CYGNUS-ULTRA	DHU305X	IHU305Z	JHW305C
IH055_CYGNUS-VENDED	DHU400X	IHU400C	JHW305X
IH075_CYGNUS-SELECT	IHG235C	IHU400X	JHW305Y
IH075_CYGNUS-ULTRA	IHG235X	IHU400Y	JHW305Z
IH075_CYGNUS-VENDED	IHG235Y	IHU400Z	JHW400C
IH090_CYGNUS-SELECT	IHG235Z	IHW235C	JHW400X
IH090_CYGNUS-ULTRA	IHG305C	IHW235X	JHW400Y
IH090_CYGNUS-VENDED	IHG305X	IHW235Y	JHW400Z
CHG235X	IHG305Y	IHW235Z	PHU235Y
CHG305X	IHG305Z	IHW305C	PHU305Y
CHG400X	IHG400C	IHW305X	PHU400Y
CHN235S	IHG400X	IHW305Y	WD235_CYGNUS-COMM
CHN235U	IHG400Y	IHW305Z	WD235_CYGNUS-PREM
CHN235X	IHG400Z	IHW400C	WD235_CYGNUS-PRO
CHN235Z	IHN235C	IHW400X	WD235_CYGNUS-STANDARD
CHN305S	IHN235S	IHW400Y	WD305_CYGNUS-COMM
CHN305U	IHN235U	IHW400Z	WD305_CYGNUS-PREM
CHN305X	IHN235V	IHZ235C	WD305_CYGNUS-PRO
CHN305Z	IHN235X	IHZ235X	WD305_CYGNUS-STANDARD
CHN400S	IHN235Y	IHZ235Y	WD400_CYGNUS-COMM
CHN400U	IHN235Z	IHZ235Z	WD400_CYGNUS-PREM
CHN400X	IHN305C	IHZ305C	WD400_CYGNUS-PRO
CHN400Z	IHN305S	IHZ305X	WD400_CYGNUS-STANDARD
CHU235X	IHN305U	IHZ305Y	WHU235C
CHU235Z	IHN305V	IHZ305Z	WHU305C
CHU305X	IHN305X	IHZ400C	WHU400C
CHU305Z	IHN305Y	IHZ400X	YHG235C
CHU400X	IHN305Z	IHZ400Y	YHG305C
CHU400Z	IHN400C	IHZ400Z	YHG400C
CHW235X	IHN400S		
CHW235Z	IHN400U		
CHW305X	IHN400V		
CHW305Z	IHN400X		
CHW400X	IHN400Y		
CHW400Z	IHN400Z		

Cabinet Hardmount Washer-Extractor Product Overview



Model No: IXU135XNCU0E		Serial No: 12090AE0036	
Volts: 380-415V	Type: HD135		
Hertz: 50(60)Hz	1 3		
Phase: 3+N	Capacity: 30/13.2 lbs/kg		
Amps: 24.3 amps	Water Pressure: 28-85 psi		
Recommended Circuit Breaker: 25 amps	Pressure: 2-6 bar		
Electrical Heating: 12-14. kW	Max Speed: 1000 rpm		
Steam Heat: N/A psi	Net Weight: 788 lbs		
Sound Level: 62/73 dBA	Weight: 358 kg		
		IPX4	
		sfc 807393	

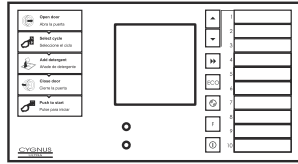
Alliance International BVBA
 Nieuwstraat 146
 8560 Wevelgem
 Belgium
 Tel: +32 56 41 20 54
 Fax: +32 56 41 86 74
 www.ipso.be
 Country of origin: Belgium

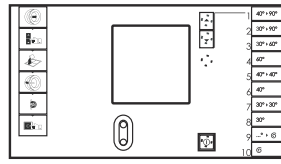
Model No: IHN185SNLXUOP		Serial No: 1209BG0043	
Volts: 200-240V	Type: WD185		
Hertz: 60(50)Hz	1 3		
Phase: 1	Capacity: 40/18.2 lbs/kg		
Amps: 3.5 amps	Water Pressure: 28-85 psi		
Recommended Circuit Breaker: 15 amps	Pressure: 2-6 bar		
Electrical Heating: N/A kW	Max Speed: 470 rpm		
Steam Heat: N/A psi	Net Weight: 618 lbs		
Sound Level: 62/73 dBA	Weight: 281 kg		
		IPX4	
		sfc 807410	

Alliance International BVBA
 Nieuwstraat 146
 8560 Wevelgem
 Belgium
 Tel: +32 56 41 20 54
 Fax: +32 56 41 86 74
 www.ipso.be
 Country of origin: Belgium

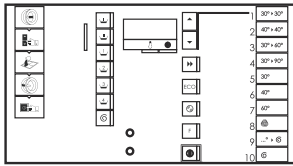




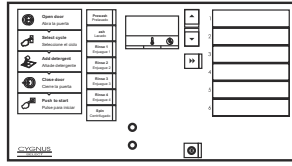
Cygnus Ultra



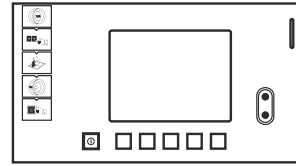
Cygnus Premium Coin



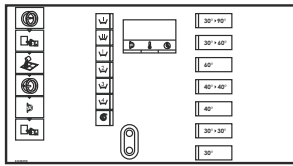
Cygnus Commercial



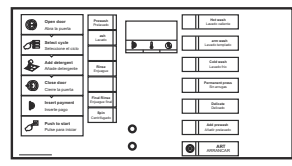
Cygnus Select



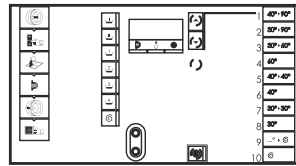
Cygnus Professional



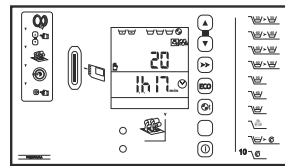
Cygnus Standard Vended



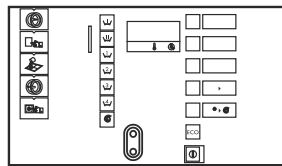
Cygnus Vended



Cygnus Commercial Vended



Cygnus Premium OPL



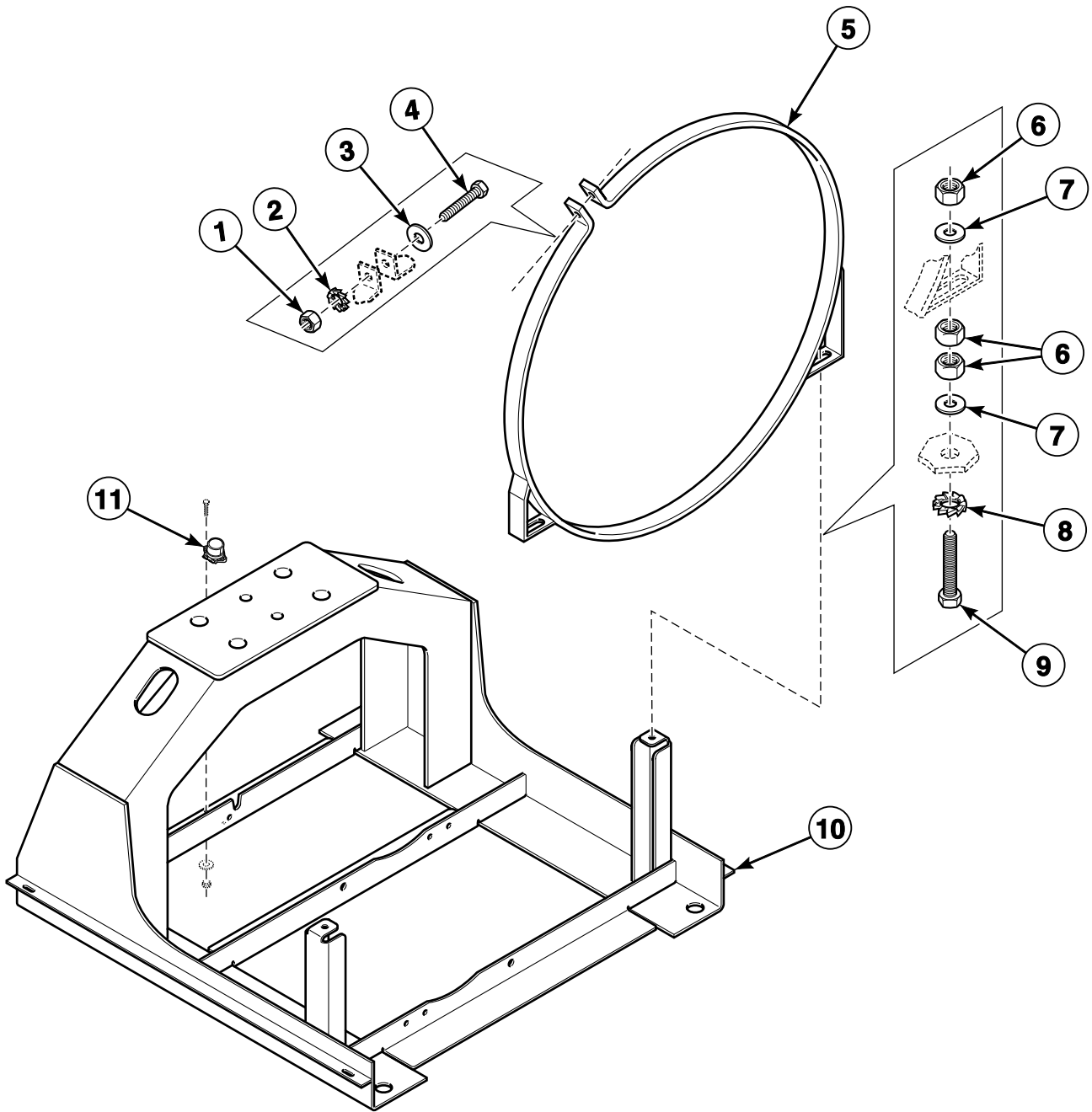
Cygnus Standard OPL

CHM3243P_D1364

Cabinet Hardmount Washer-Extractor Product Overview

REF	PART NO.	DESCRIPTION	COMMENTS
1	-	Product Family	CH DH IH JH PH WD WH YH
2	-	Market	U (EU [CE]) N (US ETL/ETL [C]) G (GOS) W (EU [CE] WRAS) Z (No Agency Int.)
3	-	Capacity	055 075 090 235 305 400
4	-	Control	C (Cygnus Standard) S (CygnusSelect) U (Cygnus Ultra) V (Cygnus Vended) X (CygnusCommercial) Y (Cygnus Premium) Z (Cygnus-Professional)
5	-	Actuation	C (Single Coin Drop) D (Dual Coin Drop) E (Electronic Coin Drop) L (Central Pay Pulses) N (OPL) S (Central Pay Serial Comm)
6	-	Speed	L (Normal Speed) M (High Speed)
7	-	Voltage	C (380-415/50-60/3/4) N (440-480/50-60/3/3) P (380-415/50-60/3/3) Q (200-208/220-240/50-60/3/3) X (200-208/220-240/50-60/1/2/2)
8	-	Cabinet	U (Standard) I (Stainless Steel Side Panels)
9	-	Design	1

Frame

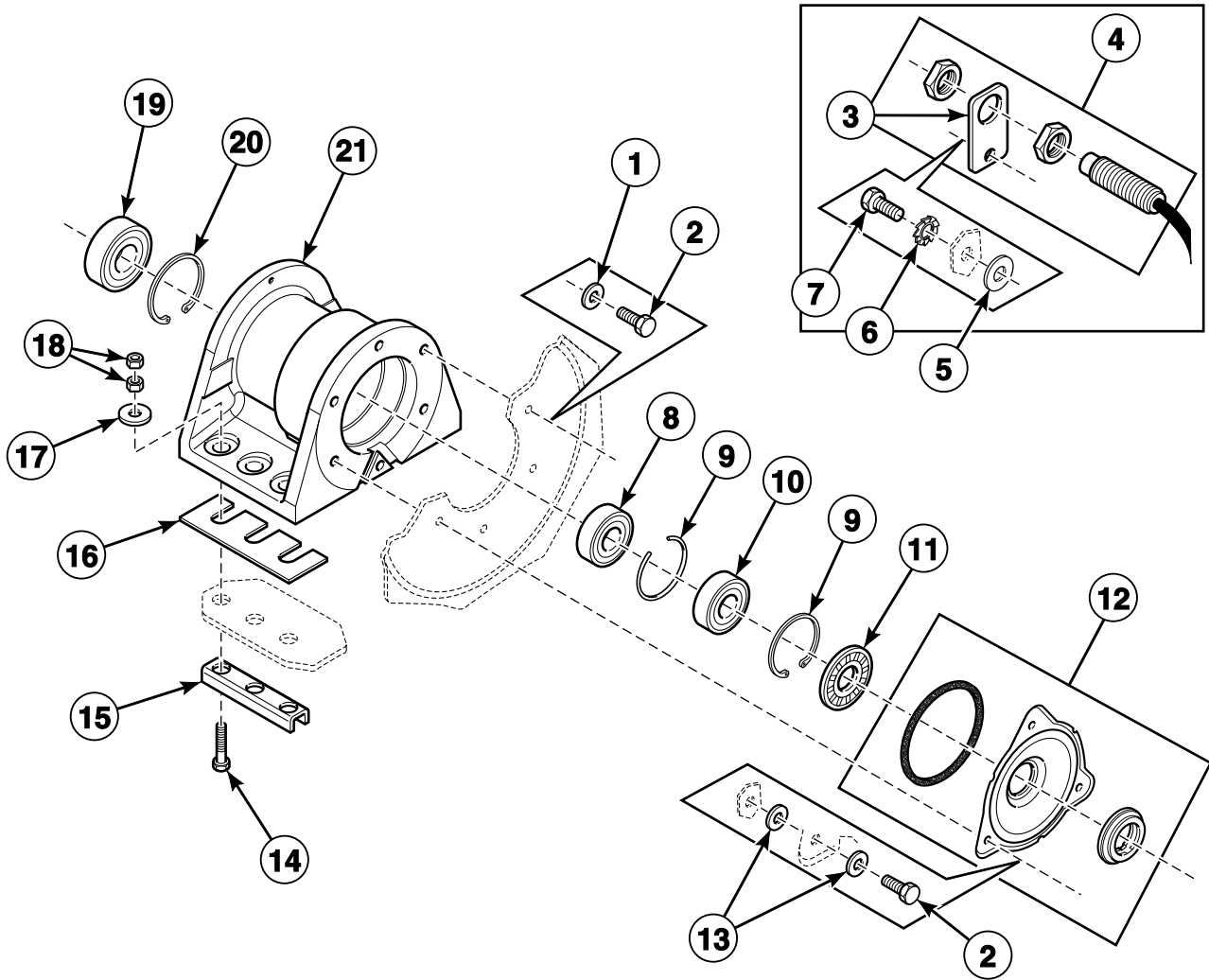


CHM3268P_D1364

Frame

REF	PART NO.	DESCRIPTION	COMMENTS
	B12349903	Vibration Switch Wiring Harness	Models with M in the 9th position of the model number
	B12349904	Out-of-Balance Bypass Harness	
1	204/00003/00	Nut	
2	203/00002/00	Washer	
3	201/00005/00	Washer	
4	206/00052/00	Bolt	
5	212/00116/00	Tub Fastening Ring	*55 and *235 models
	212/00117/00	Tub Fastening Ring	All other models
6	204/00002/00	Nut	
7	201/00005/00	Washer	
8	203/00001/00	Washer	
9	206/00079/00	Bolt	
10	B12362101	Frame	*55 and *235 models
	B12400501	Frame	*75 and *305 models
	B12401301	Frame	*90 and *400 models
11	F8204001	Vibration Switch	Models with M in the 9th position of the model number

Bearing Housing - *55 and *235 Models

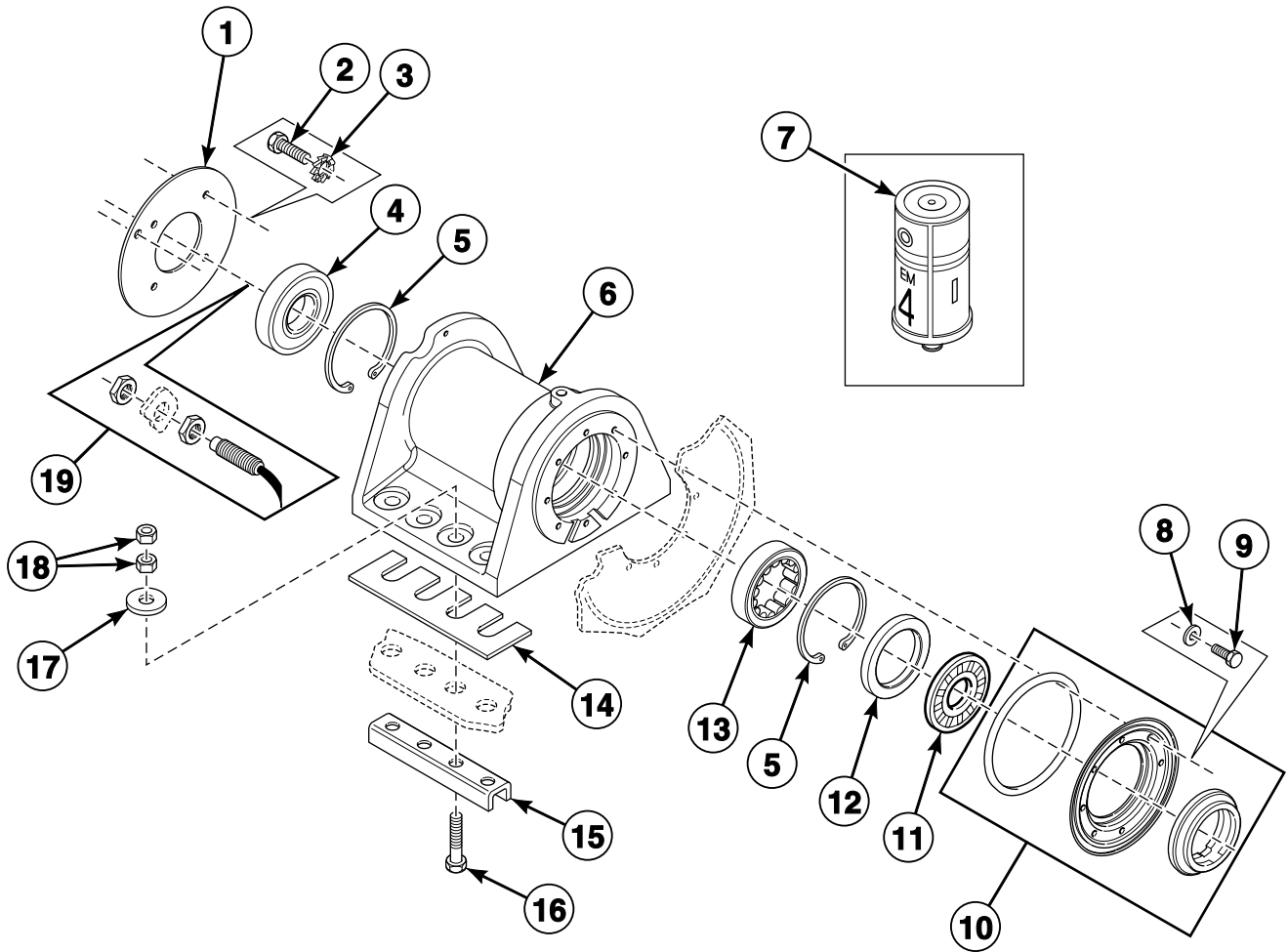


CHM3271P_D1364

Bearing Housing - *55 and *235 Models

REF	PART NO.	DESCRIPTION	COMMENTS
	381P3	Bearing Replacement Tool Kit	
	3884P	Bearing and Seal Kit	Includes items 1, 2, 8, 10-12, 223/00242/10 Gasket and 219/00004/00 Counter Ring
1	201/00201/00	Washer	
2	205/00102/00	Bolt	
3	152/00055/00	Speed Detector Bracket	
4	210/00074/00	Speed Detector	Includes item 3
5	202/00003/00	Washer	
6	203/00004/00	Washer	
7	206/00014/00	Bolt	
8	212/00004/01	Bearing	
9	212/00006/00	Retainer Ring	
10	F100134	Bearing	
11	B12332301	Lip Seal	
12	B12333701	Seal Plate Assembly	
13	201/00201/00	Washer	
14	206/00093/00	Bolt	
15	113/00067/00	U-Piece Assembly	
16	113/00017/01	Bearing Housing Plate	1 mm
	113/00017/02	Bearing Housing Plate	2 mm
17	201/00001/00	Washer	
18	206/00094/00	Nut	
19	212/00024/01	Ball Bearing	
20	212/00037/00	Retainer Ring	
21	212/00104/01	Bearing Housing Assembly	

Bearing Housing - *75, *90, *305 and *400 Models

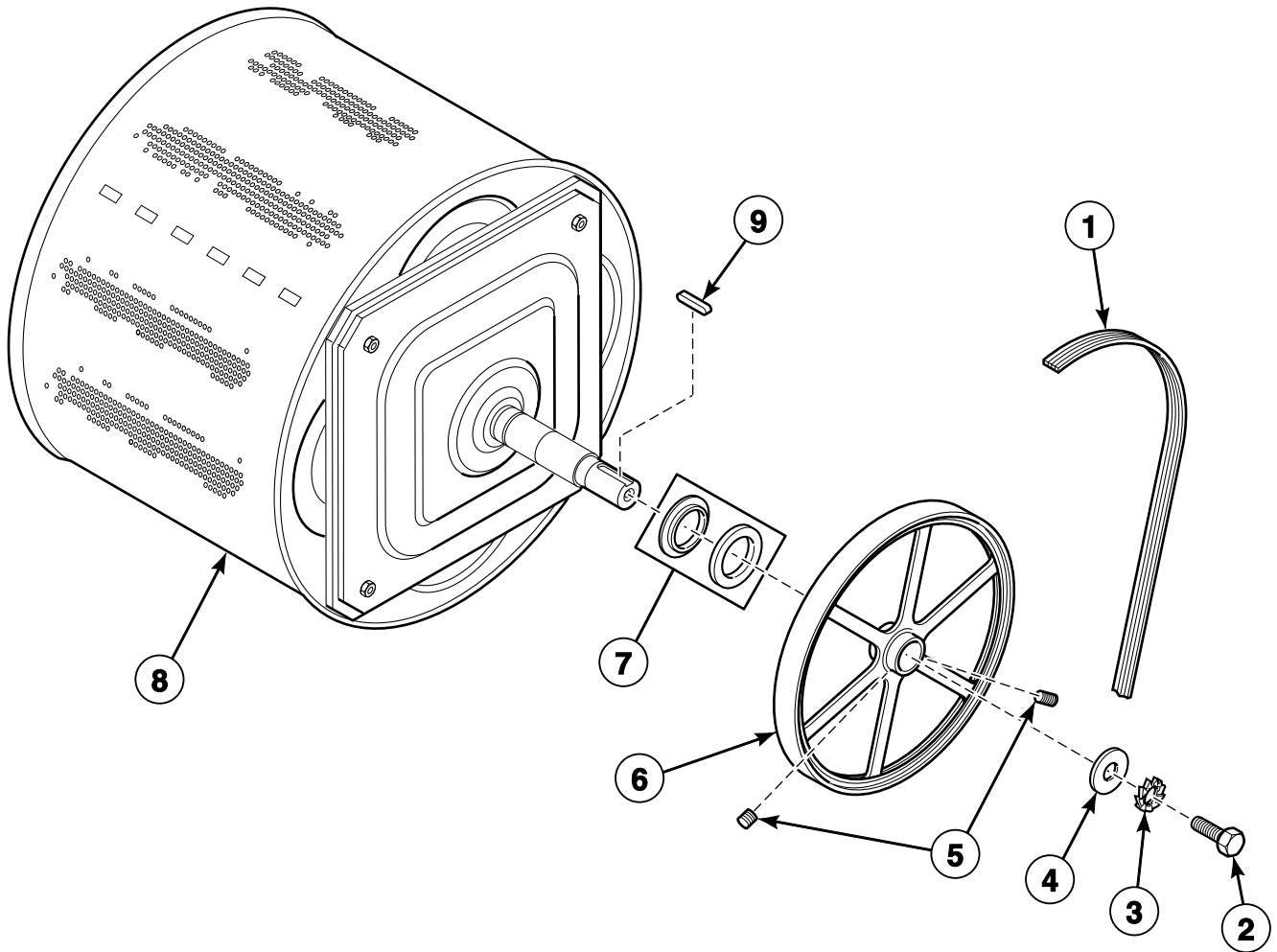


CHM3283P_D1364

Bearing Housing - *75, *90, *305 and *400 Models

REF	PART NO.	DESCRIPTION	COMMENTS
	892P3	Bearing Replacement Kit	
	382P3	Bearing Replacement Tool Kit	
1	112/00003/00	Bearing Cover	
2	206/00010/00	Bolt	
3	203/00003/00	Washer	
4	212/00004/00	Ball Bearing	
5	212/00006/00	Retainer Ring	
6	212/00103/01	Bearing Housing	
	212/00103/00	Bearing Housing Assembly	Includes items 4 and 13
7	212/00002/00	Lubricator	
8	201/00202/00	Washer	
9	205/00104/00	Bolt	
10	131/00035/00	Seal Cover Plate	
	131/00035/01	Seal Holder Assembly	
11	B12332301	Lip Seal	
12	212/00007/00	Grease Ring	
13	212/00005/00	Roller Bearing	
14	113/00018/01	Bearing Housing Plate	1 mm
	113/00018/02	Bearing Housing Plate	2 mm
15	113/00068/00	U-Piece Assembly	
16	206/00093/00	Bolt	
17	201/00001/00	Washer	
18	204/00010/00	Nut	
19	210/00075/00	Speed Detector	

Basket, Pulley and Belt - *55 and *235

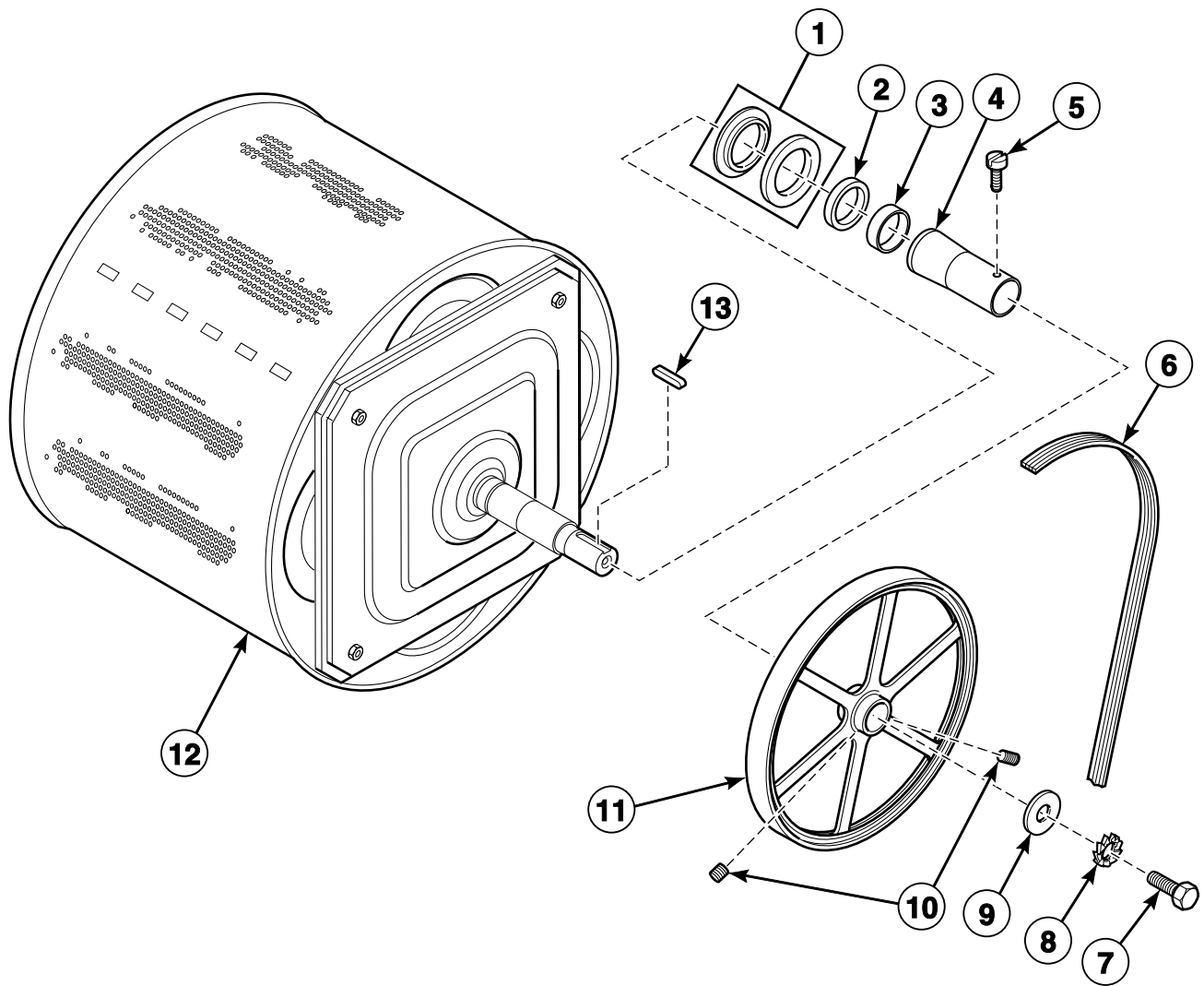


BE000848P_D1364

Basket, Pulley and Belt - *55 and *235

REF	PART NO.	DESCRIPTION	COMMENTS
1	226/00139/00	Belt	
2	206/00004/00	Bolt	
3	203/00001/00	Washer	
4	201/00011/00	Washer	
5	206/00056/00	Screw	
6	226/00142/00	Drum Pulley	
7	219/00004/00	Counter Ring	
8	B12380901	Basket	3 mm
	B12381001	Basket	9 mm
9	212/00026/00	Key	

Basket, Pulley and Belt - *75, *90, *305 and *400 Models

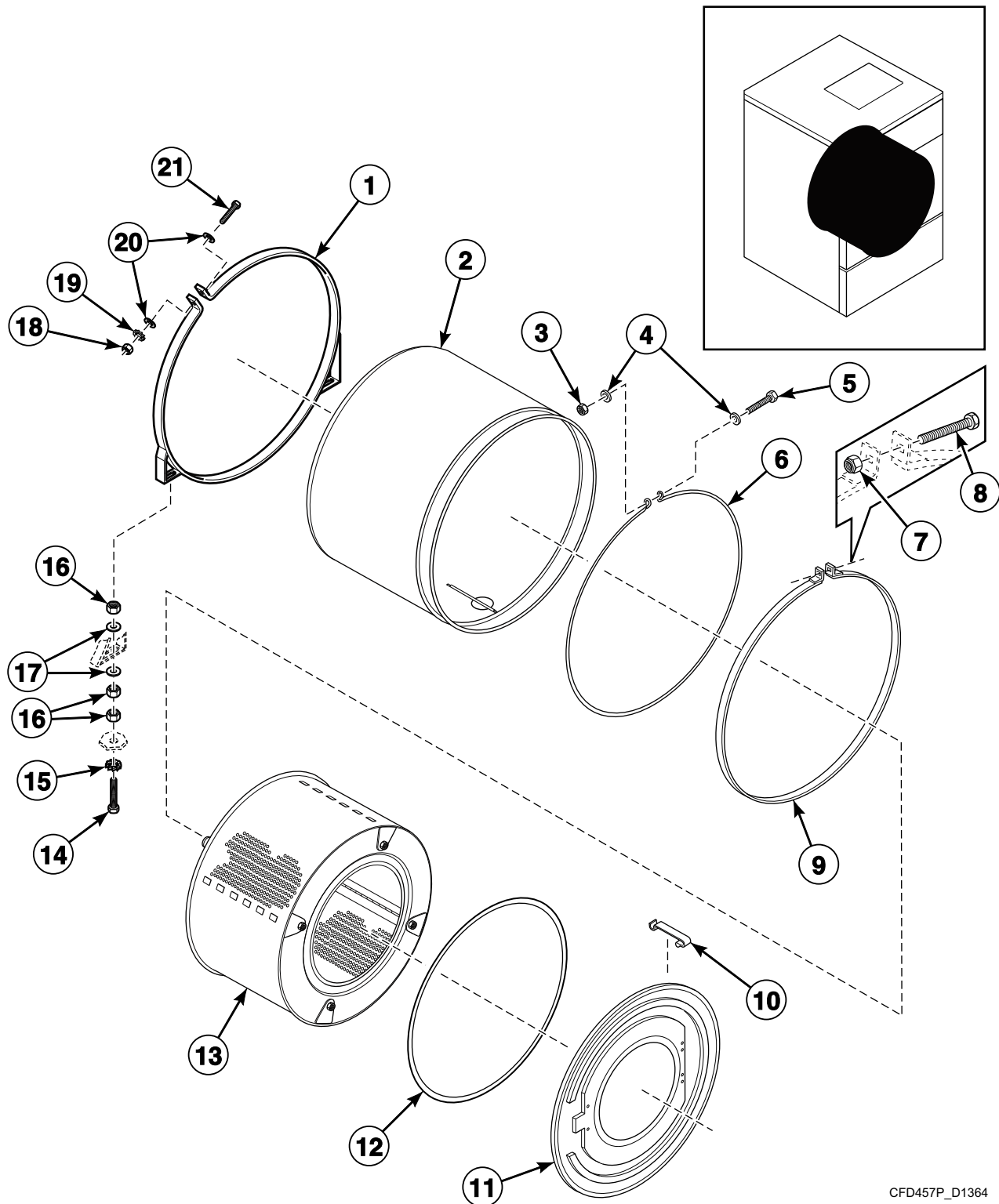


BE000850P_D1364

Basket, Pulley and Belt - *75, *90, *305 and *400 Models

REF	PART NO.	DESCRIPTION	COMMENTS
1	232/00008/00	Counter Ring	
2	132/00009/00	Shaft Seal	
3	212/00005/00	Roller Bearing	
4	232/00020/00	Bearing Spacer	
5	207/00004/00	Screw	
6	226/00139/00	Belt	
7	206/00004/00	Bolt	
8	203/00001/00	Washer	
9	201/00011/00	Washer	
10	206/00056/00	Screw	
11	226/00142/00	Drum Pulley	
12	B12327301	Drum	*75 and *305 models
	132/10009/00	Drum	*90 and *400 models
13	212/00026/00	Key	

Shell and Basket

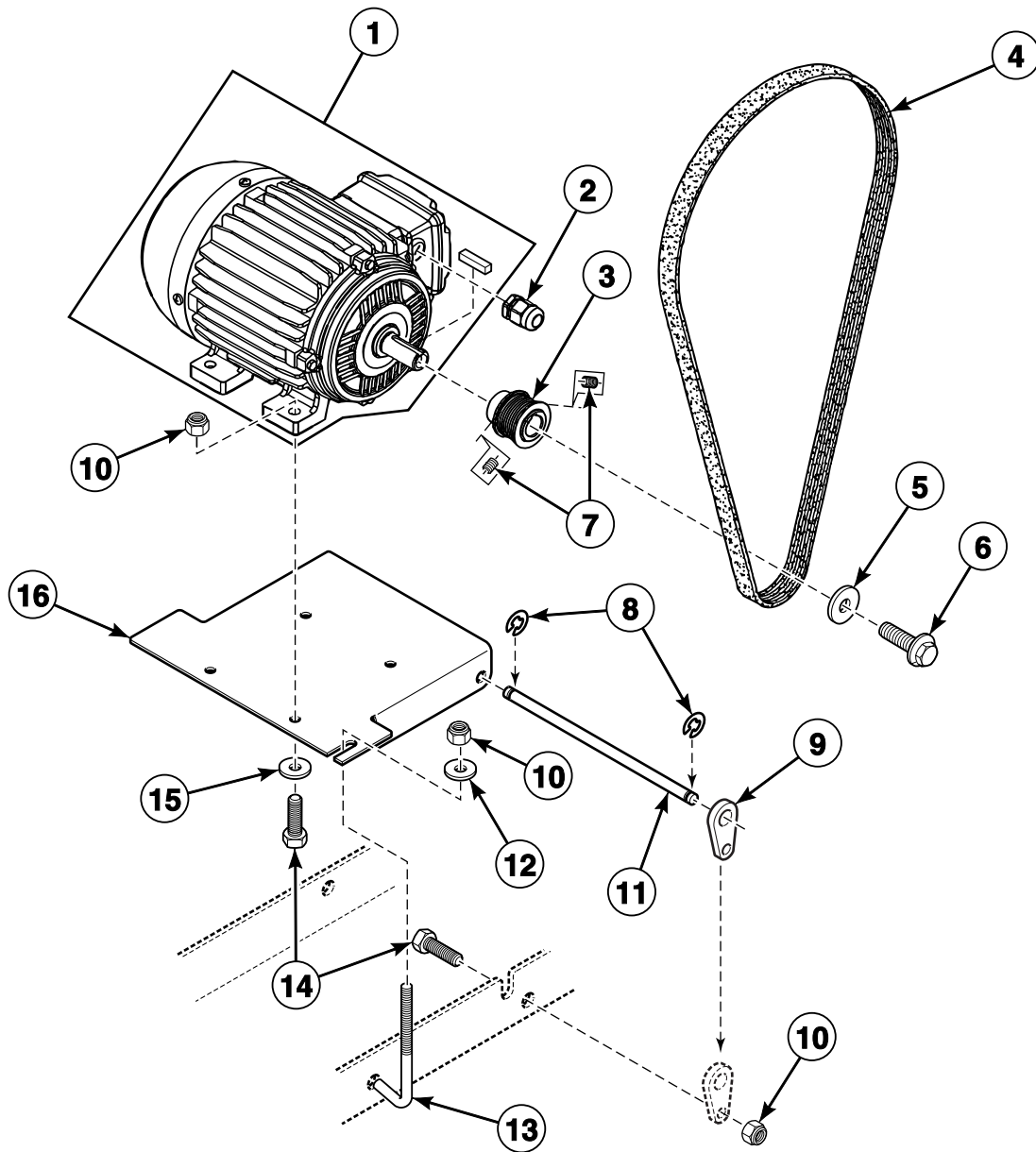


CFD457P_D1364

Shell and Basket

REF	PART NO.	DESCRIPTION	COMMENTS
1	212/00116/00	Tub Fastening Ring	*55 and *235 models
	212/00117/00	Tub Fastening Ring	All other models
2	B12331101	Tub	*55 and *235 models; Electric heat
	B12331201	Tub	*55 and *235 models; Boiler fed
	B12331301	Tub	*55 and *235 models; Steam heat
	B12331401	Tub	*75 and *305 models; Electric heat
	B12331501	Tub	*75 and *305 models; Boiler fed
	B12331601	Tub	*75 and *305 models; Steam heat
	131/00059/00	Tub	*90 and *400 models; Electric heat
	131/00059/50	Drum	*90 and *400 models; Boiler fed
	131/00059/60	Tub	*90 and *400 models; Steam heat
3	204/00009/00	Nut	
4	201/00007/00	Washer	
5	206/00032/00	Bolt	
6	238/00011/00	Tub Clamp Ring	*55 and *235 models
	231/00010/00	Tub Front Ring Clamp	All other models
7	204/00111/00	Nut	
8	206/00066/00	Bolt	
9	137/00008/00	Tub Mounting Strap	*55 and *235 models
	131/00010/00	Tub Strap	All other models
10	217/00008/00	Tub Front Panel Clip	
11	138/00001/00	Tub Front	*55 and *235 models
	131/00002/00	Front Panel	All other models
12	B12351601	Tub Front Gasket	*55 and *235 models
	223/00242/00	Tub Front Gasket	All other models
13	B12543201	Basket Kit	*55 and *235 models; 3 mm; Includes B12380901 Basket and 3884P Bearing and Seal Kit
	B12381001	Basket	*55 and *235 models; 9 mm
	B12327301	Drum	*75 and *305 models
	132/10009/00	Drum	*90 and *400 models
14	206/00029/00	Bolt	
15	203/00001/00	Washer	
16	204/00002/00	Nut	
17	201/00009/00	Washer	
18	204/00003/00	Nut	
19	203/00002/00	Washer	
20	201/00005/00	Washer	
21	206/00052/00	Bolt	

Motor and Belt

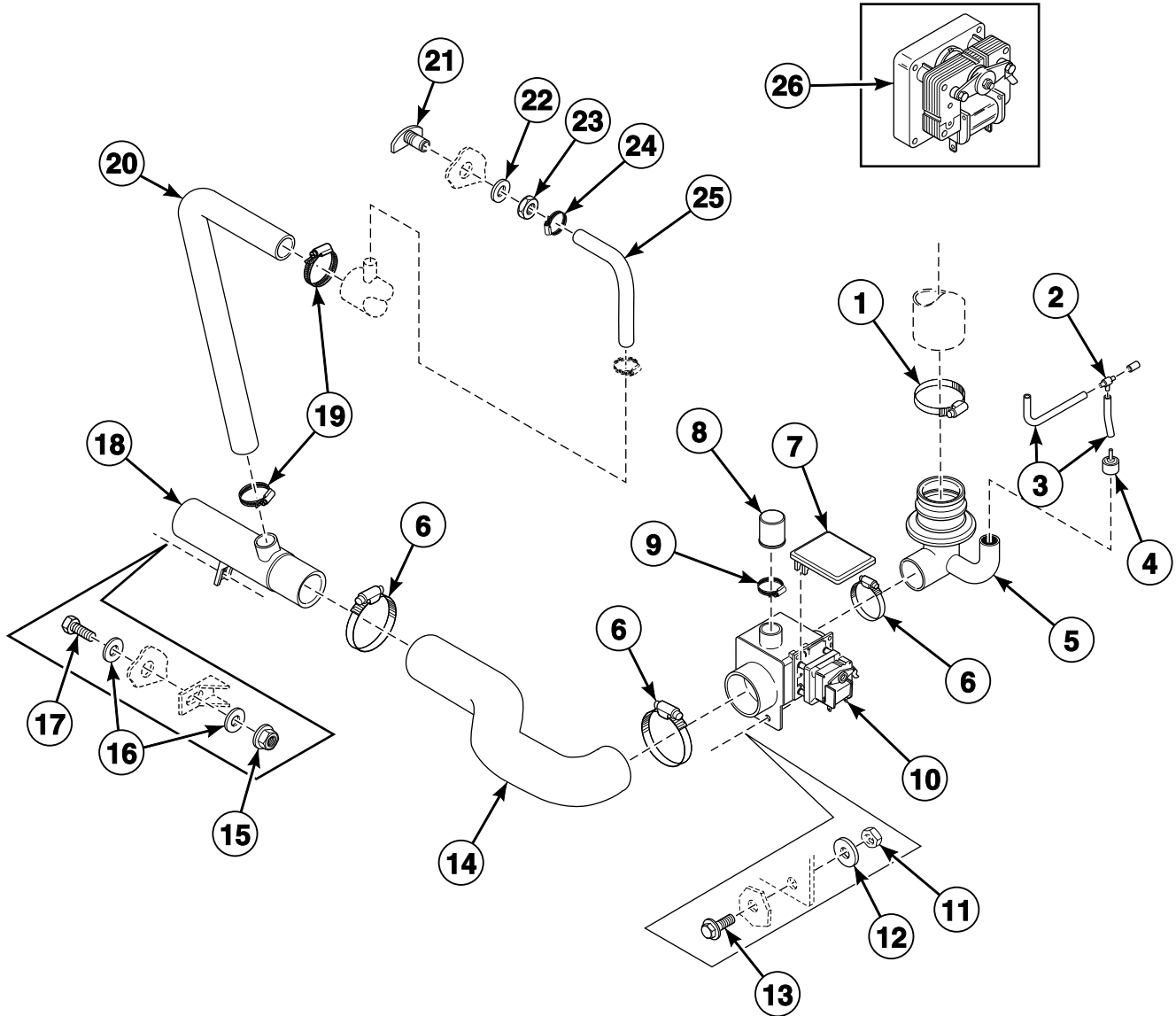


CHM3263P_D1364

Motor and Belt

REF	PART NO.	DESCRIPTION	COMMENTS
	B12382102	Motor Harness	
1	B12527701	Motor	*55 and *235 models
	B12527801	Motor	All other models
2	211/00181/00	Strain Relief Connector	
3	226/00145/00	Motor Pulley	*55 and *235 models
	226/00146/00	Pulley	All other models
4	226/00139/00	Belt	*55 and *235 models
	226/00134/00	Belt	All other models
5	201/00004/00	Washer	
6	206/00005/00	Bolt	
7	206/00049/00	Screw	
8	B12463401	Spacer	
9	B12371401	Motor Clip	
10	204/00110/00	Nut	
11	B12363001	Motor Mounting Rod	
12	201/00015/00	Washer	
13	B12444801	Bolt	
14	206/00119/00	Bolt	
15	202/00002/00	Washer	
16	B12362901	Motor Plate	

Drain Plumbing

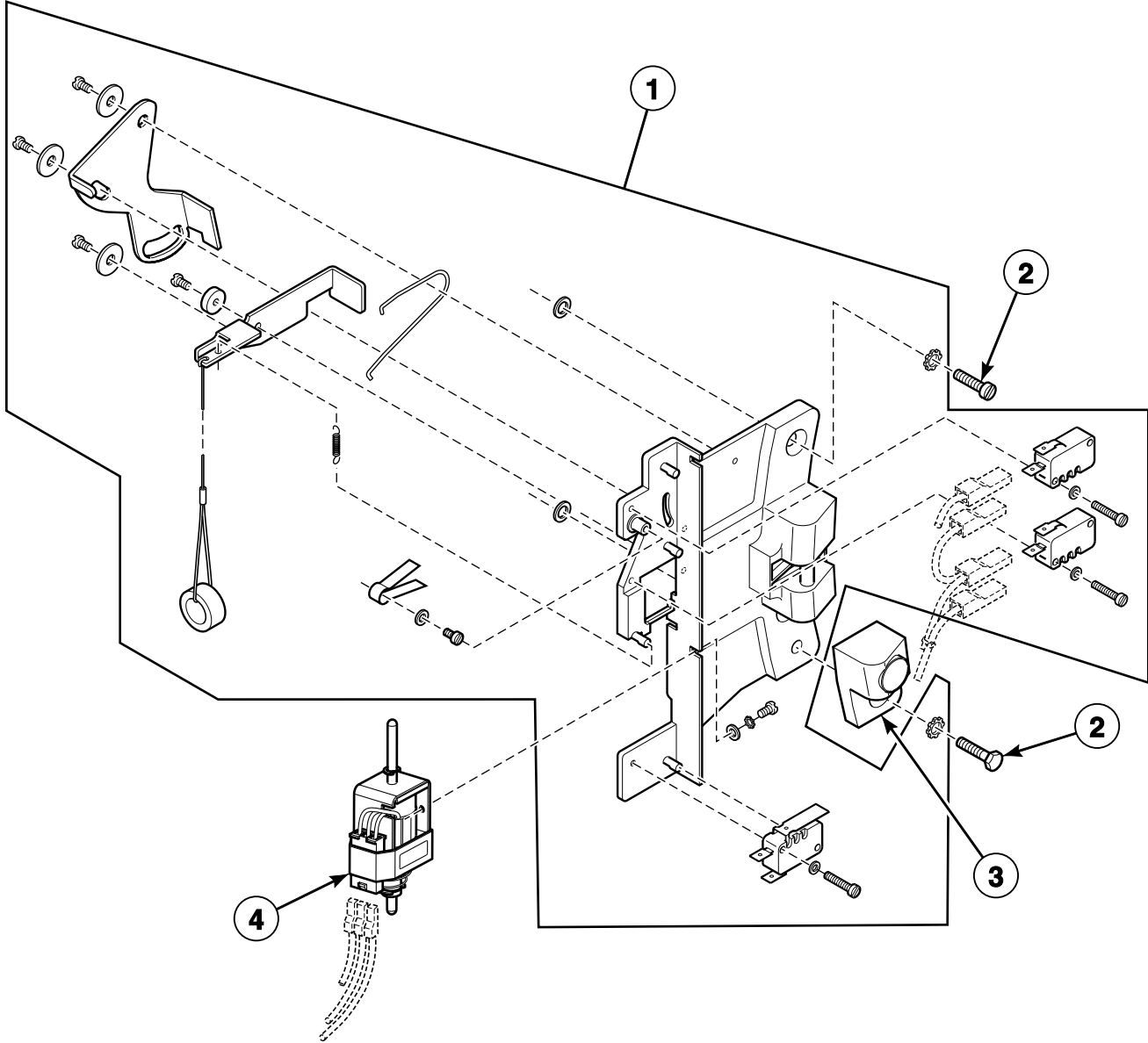


CHM3293P_D1364

Drain Plumbing

REF	PART NO.	DESCRIPTION	COMMENTS
1	223/00011/00	Hose Clamp	
2	223/00173/10	Pressure Switch Hose Tee	
3	223/00333/00	Pressure Hose	
4	223/00035/02	Pressure Switch Cap	
5	B12403101	Drain Tub to Drain Valve Hose	
6	223/00071/00	Hose Clamp	
7	223/00225/00	Drain Valve Cover	
8	223/00012/00	Hose Clamp	
9	223/00086/00	Drain Valve Overflow Plug	
10	209/00075/00	Drain Valve	
11	204/00009/00	Nut	*55 and *235 models
12	202/00002/00	Washer	*55 and *235 models
13	206/00099/00	Bolt	*55 and *235 models
14	223/00328/00	Drain Valve to Drain Tube Hose	
15	206/00101/00	Nut	
16	201/00007/00	Washer	
17	206/00033/00	Bolt	
18	223/00106/00	Drain Pipe	
19	223/00013/00	Hose Clamp	
20	223/00131/00	Overflow Hose	
21	223/00001/04	Prewash and Mainwash Nozzle	
22	201/00002/00	Washer	
23	204/00201/00	Nut	
24	223/00010/00	Hose Clamp	
25	223/00044/00	Water Hose	
26	209/00051/11	Drain Valve Motor	

Door Lock

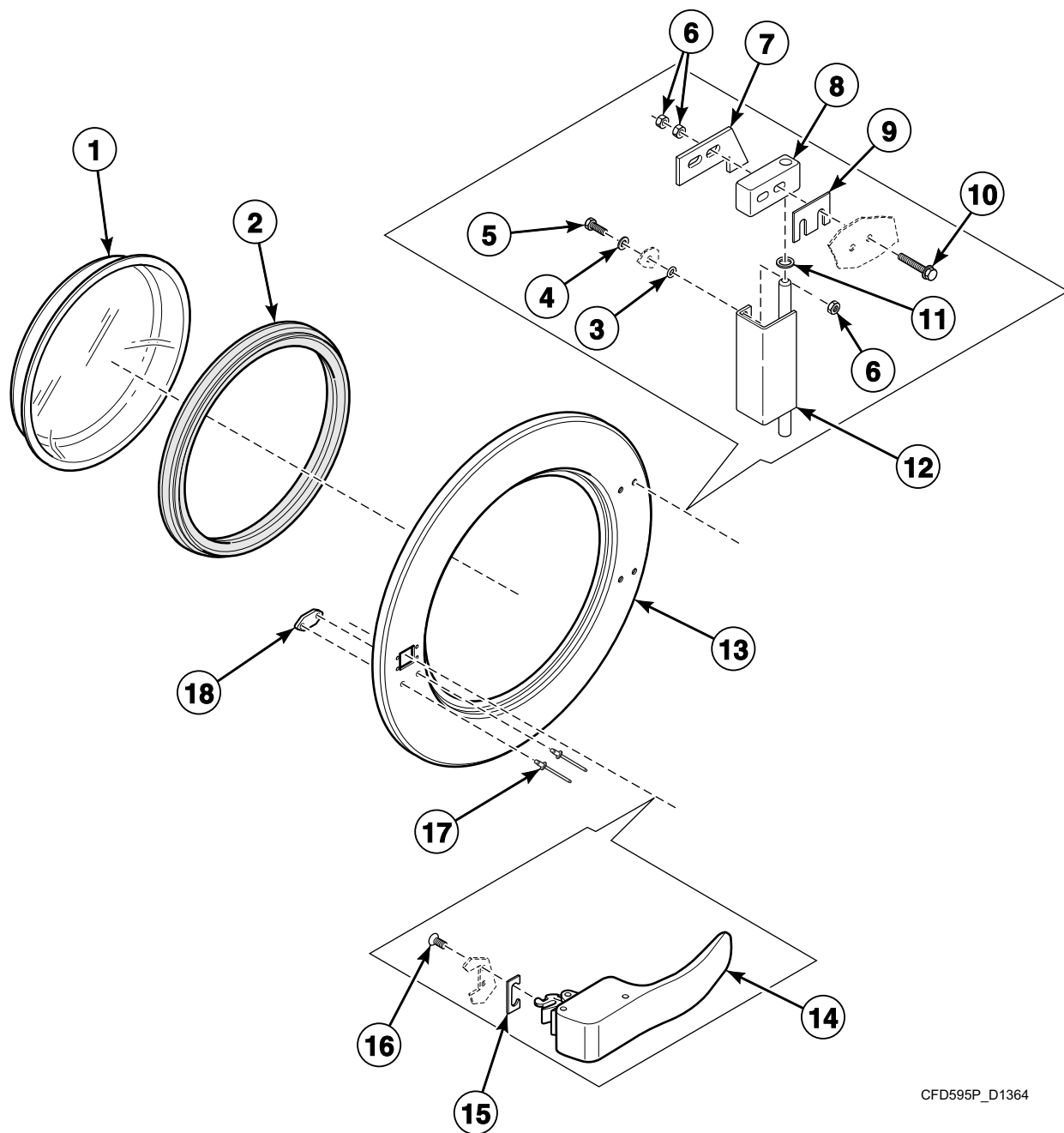


CHM3240P_D1364

Door Lock

REF	PART NO.	DESCRIPTION	COMMENTS
	B12495001	Door Lock Harness	
1	B12403001	Door Lock Assembly	
2	207/00102/00	Screw	
3	B12517601	Reed Switch Holder	Includes F8080405 Reed Switch Harness and B12502001 Reed Switch
4	B12518101	Door Solenoid Assembly	

Door

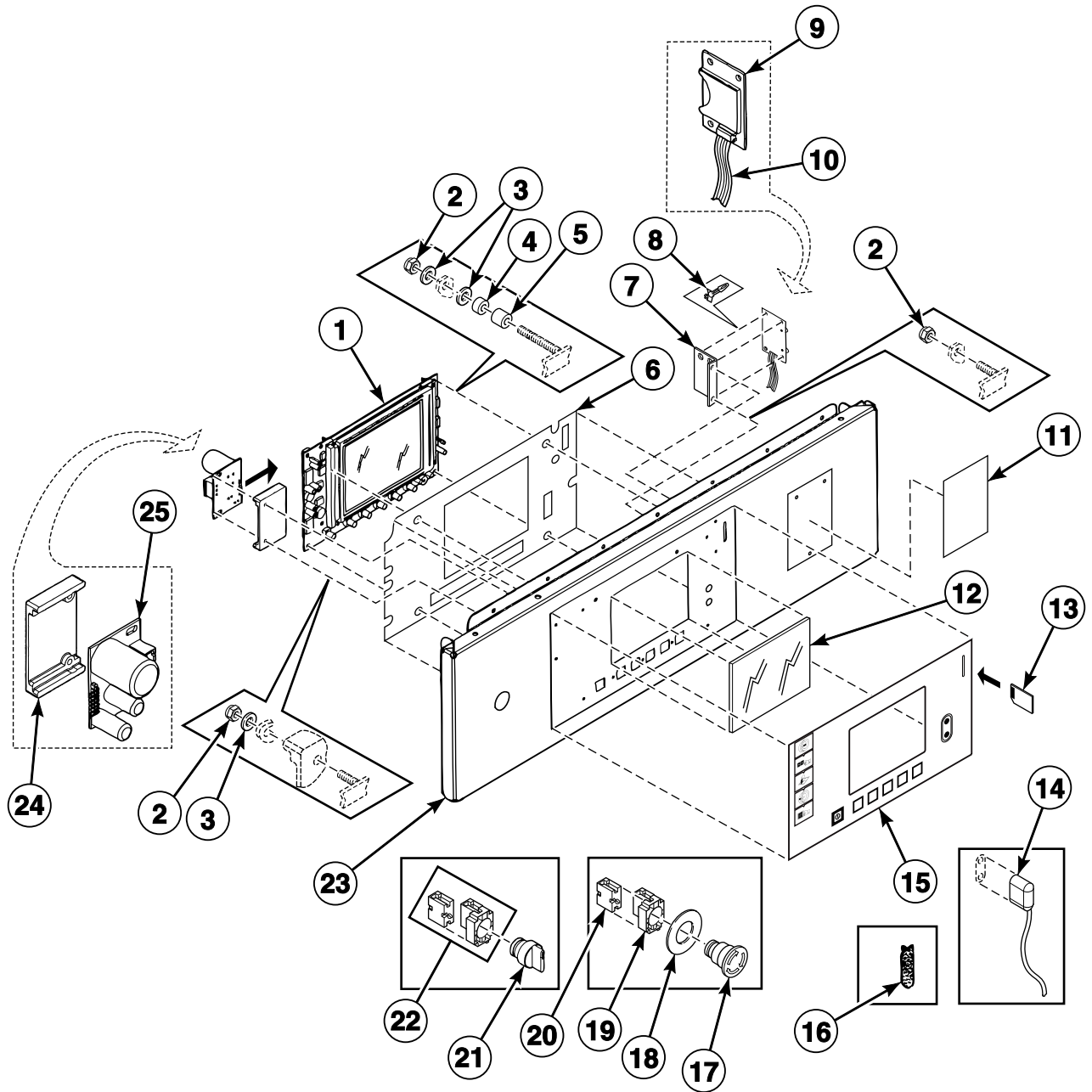


CFD595P_D1364

Door

REF	PART NO.	DESCRIPTION	COMMENTS
1	B12449801	Door Glass	
2	223/00068/00	Door Glass Seal	
3	217/00021/00	O-Ring	
4	202/00101/00	Washer	
5	205/00106/00	Bolt	
6	204/00106/00	Nut	
7	118/00126/00	Door Stop	
8	253/00022/00	Door Hinge Block	
9	118/00124/00	Door Hinge Spacer	2 mm
10	207/00126/00	Screw	
11	202/00104/00	Washer	
12	221/00004/00	Hinge	
13	B12337201	Door Frame	
14	B12336301	Door Handle	Black
	B12336302	Door Handle	Gray
15	217/00016/00	Door Handle Stop	
16	B12500801	Screw	
17	B12500301	Rivet	
18	B12389701	Magnet	

Control Panel - Cygnus Professional

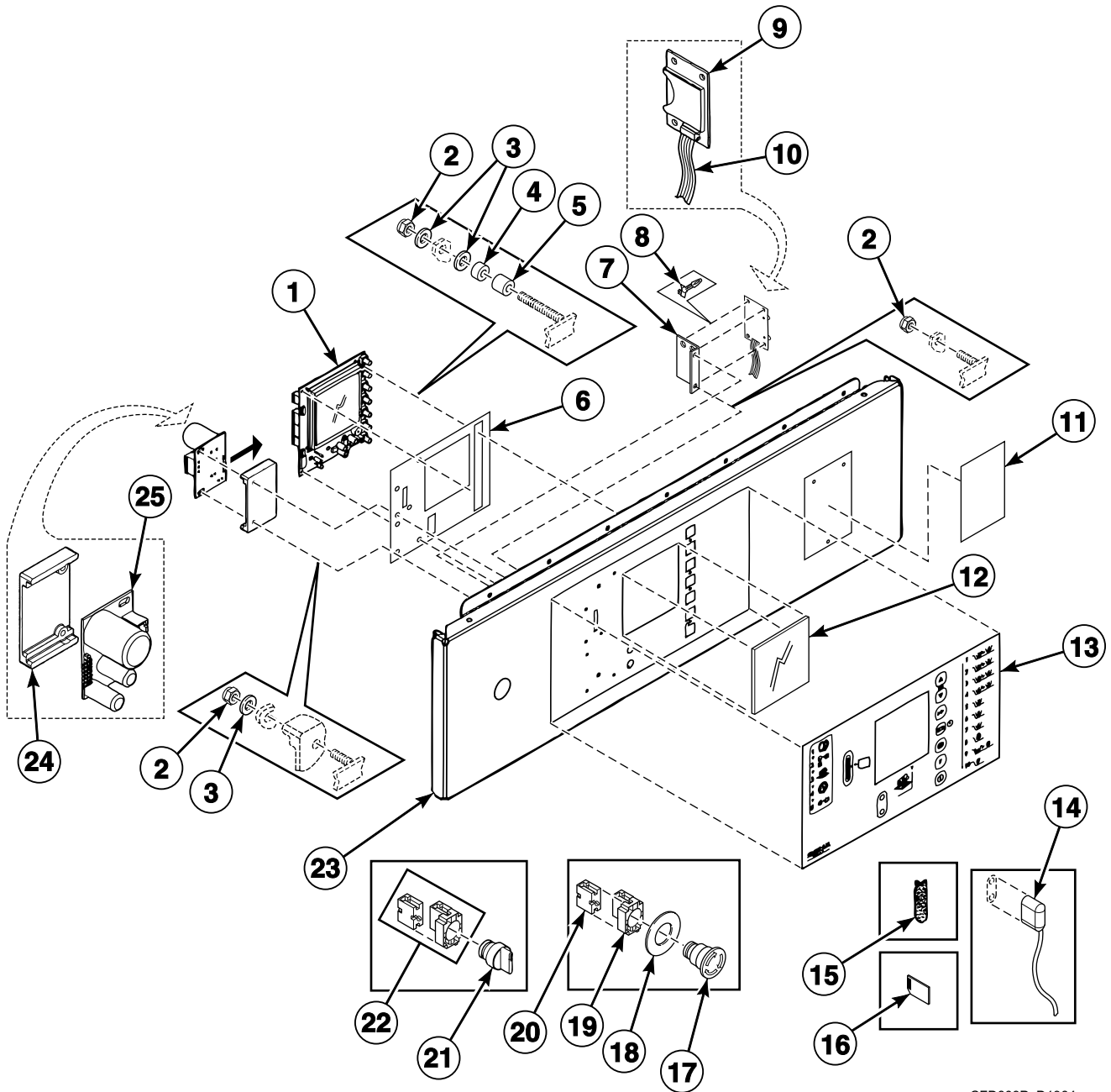


CFD608P_D1364

Control Panel - Cygnus Professional

REF	PART NO.	DESCRIPTION	COMMENTS
	B12348901	E-Stop Harness	
1	209/02002/ZB2	Display PC-Board	
2	204/00116/00	Nut	
3	223/00123/00	Washer	
4	211/00128/00	Printboard Separator	
5	211/00122/00	Standoff	
6	229/00268/00	Insulating Sticker	
7	111/01893/00	Printboard Support Card	Optional
8	211/00145/00	Standoff	
9	B12305201	Memory Card PC-Board	Optional
10	B12538301	Data Card Ribbon Assembly	Optional
11	B12389801	Nameplate	Models IHG235Z, IHG305Z, IHG400Z, IHN235Z, IHN305Z, IHN400Z, IHU235Z, IHU305Z, IHU400Z, IHW235Z, IHW305Z, IHW400Z, IHZ235Z, IHZ305Z, IHZ400Z, WD235_CYGNUS-PRO, WD305_CYGNUS-PRO and WD400_CYGNUS-PRO
	B12389802	Overlay	Models CHN235Z, CHN305Z, CHN400Z, CHU235Z, CHU305Z, CHU400Z, CHW235Z, CHW305Z, CHW400Z, CHZ235Z, CHZ305Z and CHZ400Z
	B12530806	Overlay	Models JHG235Z and JHW235Z
	B12530807	Overlay	Models JHG305Z, JHG400Z, JHW305Z and JHW400Z
12	225/00321/00	Plexi Frame	
13	209/02024/00	Datacard	
14	210/00902/00P	Infrared Cable	
15	B12383601	Operating Sticker	Without datacard opening
	B12383701	Operating Sticker	With datacard opening
	B12532001	Operating Sticker	Models JHG235Z, JHG305Z, JHG400Z, JHW235Z, JHW305Z and JHW400Z
16	223/00348/00	Datacard Cover	
17	209/00248/20	Mushroom Pushbutton	
18	209/00520/00	Telem Sticker	
19	B12491801	Contact Harness	
20	209/00099/26	Contact Switch	
21	209/00099/29	Switch Knob	Dual heat
	B12523901	Dual Heat Sticker	Dual heat
22	B12491701	Contact Harness	Dual heat
23	B12385801	Operating Panel	*235 models
	B12386301	Operating Panel	All other models
24	223/00374/00	Mounting Plate	
25	B12388201	Door Lock PC-Board	

Control Panel - Cygnus Premium OPL and Ultra

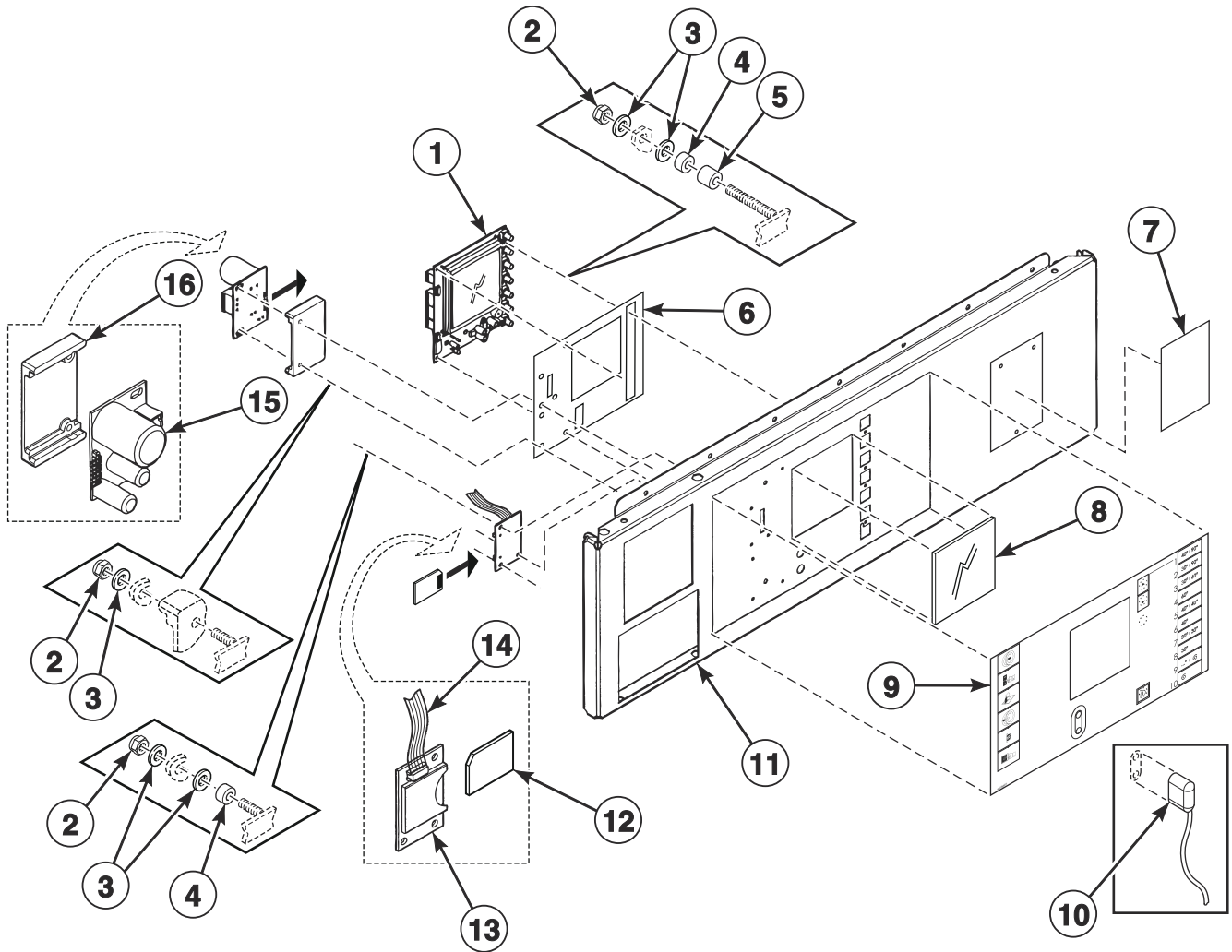


CFD609P_D1364

Control Panel - Cygnus Premium OPL and Ultra

REF	PART NO.	DESCRIPTION	COMMENTS
	B12348901	E-Stop Harness	
1	209/02015/02	Printboard	
2	204/00116/00	Nut	
3	223/00123/00	Washer	
4	211/00128/00	Printboard Separator	
5	211/00122/00	Standoff	
6	229/00291/00	Insulating Sticker	
7	111/01893/00	Printboard Support Card	Optional
8	211/00145/00	Standoff	
9	B12305201	Memory Card PC-Board	Optional
10	B12538301	Data Card Ribbon Assembly	Optional
11	B12389801	Nameplate	Models IH055_CYGNUS-ULTRA, IH075_CYGNUS-ULTRA, IH090_CYGNUS-ULTRA, IHG235Y, IHG305Y, IHG400Y, IHN235U, IHN235Y, IHN305U, IHN305Y, IHN400U, IHN400Y, IHU235Y, IHU305Y, IHU400Y, IHW235Y, IHW305Y, IHW400Y, IHZ235Y, IHZ400Y, WD235_CYGNUS-PREM, WD305_CYGNUS-PREM and WD400_CYGNUS-PREM
	B12389802	Overlay	Models CH055_CYGNUS-ULTRA, CH075_CYGNUS-ULTRA, CH090_CYGNUS-ULTRA, CHN235U, CHN305U and CHN400U
	B12389806	Overlay	Model JHW235Y
	B12530807	Overlay	Models JHW305Y and JHW400Y
	B12389805	Overlay	Models PHU235Y, PHU305Y and PHU400Y
12	225/00323/00	Plexi Frame	
13	B12456701	Operating Sticker	Cygnus Ultra models
	B12383401	Operating Sticker	Cygnus Premium OPL models with datacard opening
	B12383301	Operating Sticker	Cygnus Premium OPL models without datacard opening
	B12531901	Operating Sticker	Models JHW235Y, JHW305Y and JHW400Y; Non-ozone models
	B12534801	Operating Sticker	Models JHW235Y, JHW305Y and JHW400Y; Ozone models
14	210/00902/00P	Infrared Cable	
15	223/00348/00	Datacard Cover	Cygnus Premium OPL models
16	209/02024/00	Datacard	Cygnus Premium OPL models
17	209/00248/20	Mushroom Pushbutton	
18	209/00520/00	Telem Sticker	
19	B12491801	Contact Harness	
20	209/00099/26	Contact Switch	
21	209/00099/29	Switch Knob	Dual heat
	B12523901	Dual Heat Sticker	Dual heat
22	B12491701	Contact Harness	Dual heat
23	B12385901	Operating Panel	*55 and *235 models
	B12386401	Operating Panel	All other models
24	223/00374/00	Mounting Plate	
25	B12388201	Door Lock PC-Board	

Control Panel - Cygnus Premium Coin

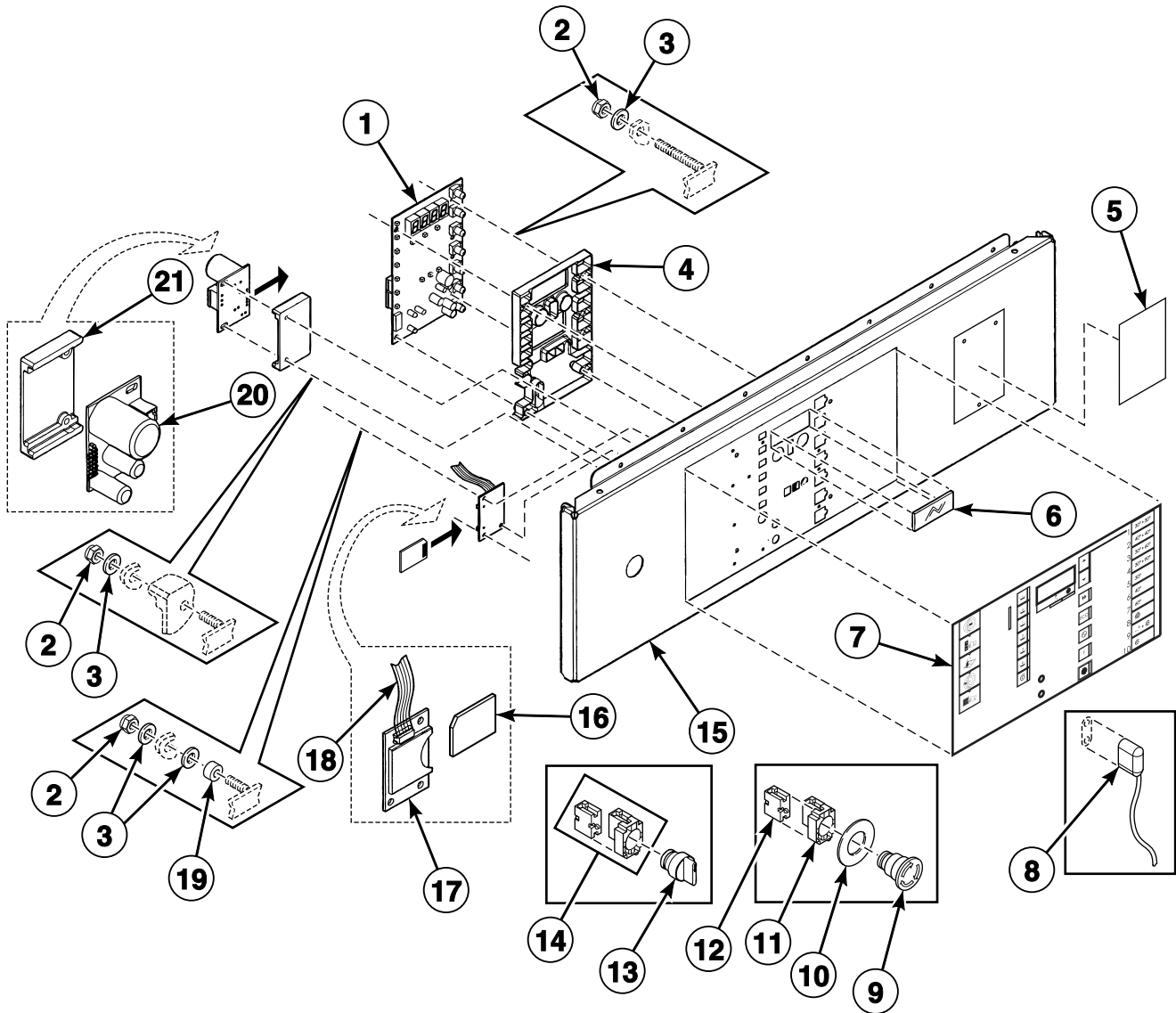


CFD621P_D1364

Control Panel - Cygnus Premium Coin

REF	PART NO.	DESCRIPTION	COMMENTS
	B12349001	E-Stop Bypass Harness	
1	209/02015/02	Printboard	
2	204/00116/00	Nut	
3	223/00123/00	Washer	
4	211/00128/00	Printboard Separator	
5	211/00122/00	Standoff	
6	229/00291/00	Insulating Sticker	
7	B12389801	Nameplate	Models IHG235Y, IHG305Y, IHG400Y, IHN235Y, IHN305Y, IHN400Y, IHU235Y, IHU305Y, IHU400Y, IHW235Y, IHW305Y, IHW400Y, IHZ235Y, IHZ305Y, IHZ400Y, WD235_CYGNUS-PREM, WD305_CYGNUS-PREM and WD400_CYGNUS-PREM
	B12389806	Overlay	Model JHW235Y
	B12530807	Overlay	Models JHW305Y and JHW400Y
	B12389805	Overlay	Models PHU235Y, PHU305Y and PHU400Y
8	225/00323/00	Plexi Frame	
9	B12383501	Operating Sticker	
10	210/00902/00P	Infrared Cable	
11	B12386001	Operating Panel	*235 models
	B12386501	Operating Panel	All other models
12	209/02024/00	Datacard	
13	B12305201	Memory Card PC-Board	
14	B12538301	Data Card Ribbon Assembly	
15	B12388201	Door Lock PC-Board	
16	223/00374/00	Mounting Plate	

Control Panel - Cygnus Standard/Commercial OPL and Select

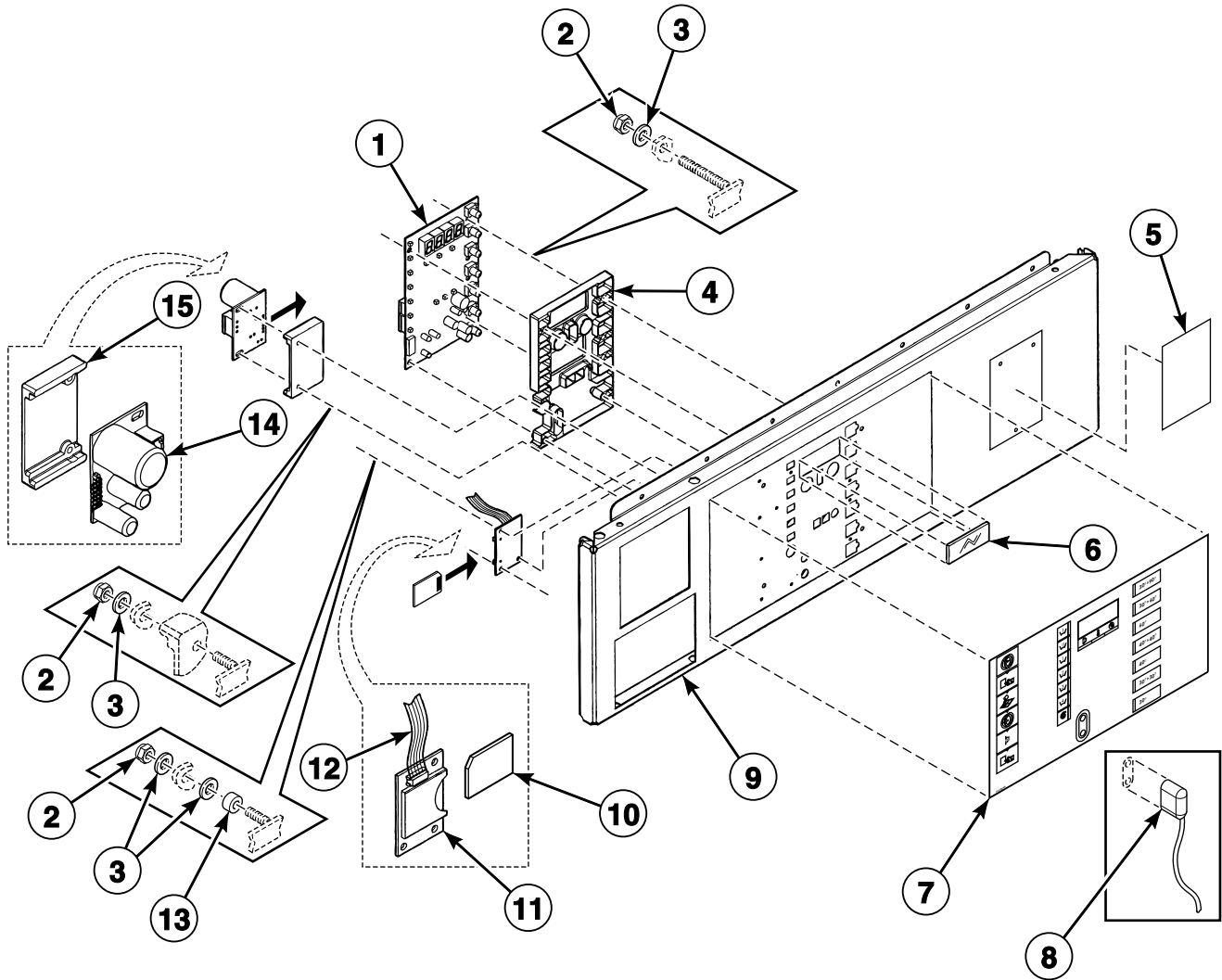


CFD613P_D1364

Control Panel - Cygnus Standard/Commercial OPL and Select

REF	PART NO.	DESCRIPTION	COMMENTS
	B12348901	E-Stop Harness	
1	209/02001/02	Printboard	
2	204/00116/00	Nut	
3	223/00123/00	Washer	
4	223/00330/00	Protection LED	
5	B12389801	Nameplate	Models IH055_CYGNUS-SELECT, IH075_CYGNUS-SELECT, IH090_CYGNUS-SELECT, IHG235C, IHG235X, IHG305C, IHG305X, IHG400C, IHG400X, IHN235C, IHN235S, IHN235X, IHN305C, IHN305S, IHN305X, IHN400C, IHN400S, IHN400X, IHU235C, IHU235X, IHU305C, IHU305X, IHU400C, IHU400X, IHW235C, IHW235X, IHW305C, IHW305X, IHW400C, IHW400X, IHZ235C, IHZ235X, IHZ305C, IHZ305X, IHZ400C, IHZ400X, WD235_CYGNUS-COMM, WD235_CYGNUS-STANDARD, WD305_CYGNUS-COMM, WD305_CYGNUS-STANDARD, WD400_CYGNUS-COMM, WD400_CYGNUS-STANDARD, YHG235C, YHG305C and YHG400C
	B12389802	Overlay	Models CH055_CYGNUS-SELECT, CH075_CYGNUS-SELECT, CH090_CYGNUS-SELECT, CHG235X, CHG305X, CHG400X, CHN235S, CHN235X, CHN305S, CHN305X, CHN400S, CHN400X, CHU235X, CHU305X, CHU400X, CHW235X, CHW305X, CHW400X, CHZ235X, CHZ305X and CHZ400X
	B12389803	Overlay	Models DHU235X, DHU305X and DHU400X
	B12389806	Overlay	Models JHW235C and JHW235X
	B12530807	Overlay	Models JHW305C, JHW305X, JHW400C and JHW400X
	B12389810	Overlay	Models WHU235C, WHU305C and WHU400C
6	225/00322/00	Plexi Frame	
7	B12382701	Operating Sticker	Cygnus Standard OPL models without datacard opening
	B12382801	Operating Sticker	Cygnus Standard OPL models with datacard opening
	B12383001	Operating Sticker	Cygnus Commercial OPL models without datacard opening
	B12383101	Operating Sticker	Cygnus Commercial OPL models with datacard opening
	B12456601	Operating Sticker	Cygnus Select models
	B12531801	Operating Sticker	Models JHW235C, JHW235X, JHW305C, JHW305X, JHW400C and JHW400X
8	210/00902/00P	Infrared Cable	
9	209/00248/20	Mushroom Pushbutton	
10	209/00520/00	Telem Sticker	
11	B12491801	Contact Harness	
12	209/00099/26	Contact Switch	
13	209/00099/29	Switch Knob	Dual heat
	B12523901	Dual Heat Sticker	Dual heat
14	B12491701	Contact Harness	Dual heat
15	B12385601	Operating Panel	*55 and *235 models
	B12386101	Operating Panel	All other models
16	209/02024/00	Datacard	Optional
17	B12305201	Memory Card PC-Board	Optional
18	B12538301	Data Card Ribbon Assembly	Optional
19	211/00128/00	Printboard Separator	
20	B12388201	Door Lock PC-Board	
21	223/00374/00	Mounting Plate	

Control Panel - Cygnus Standard/Commercial Coin and Vended



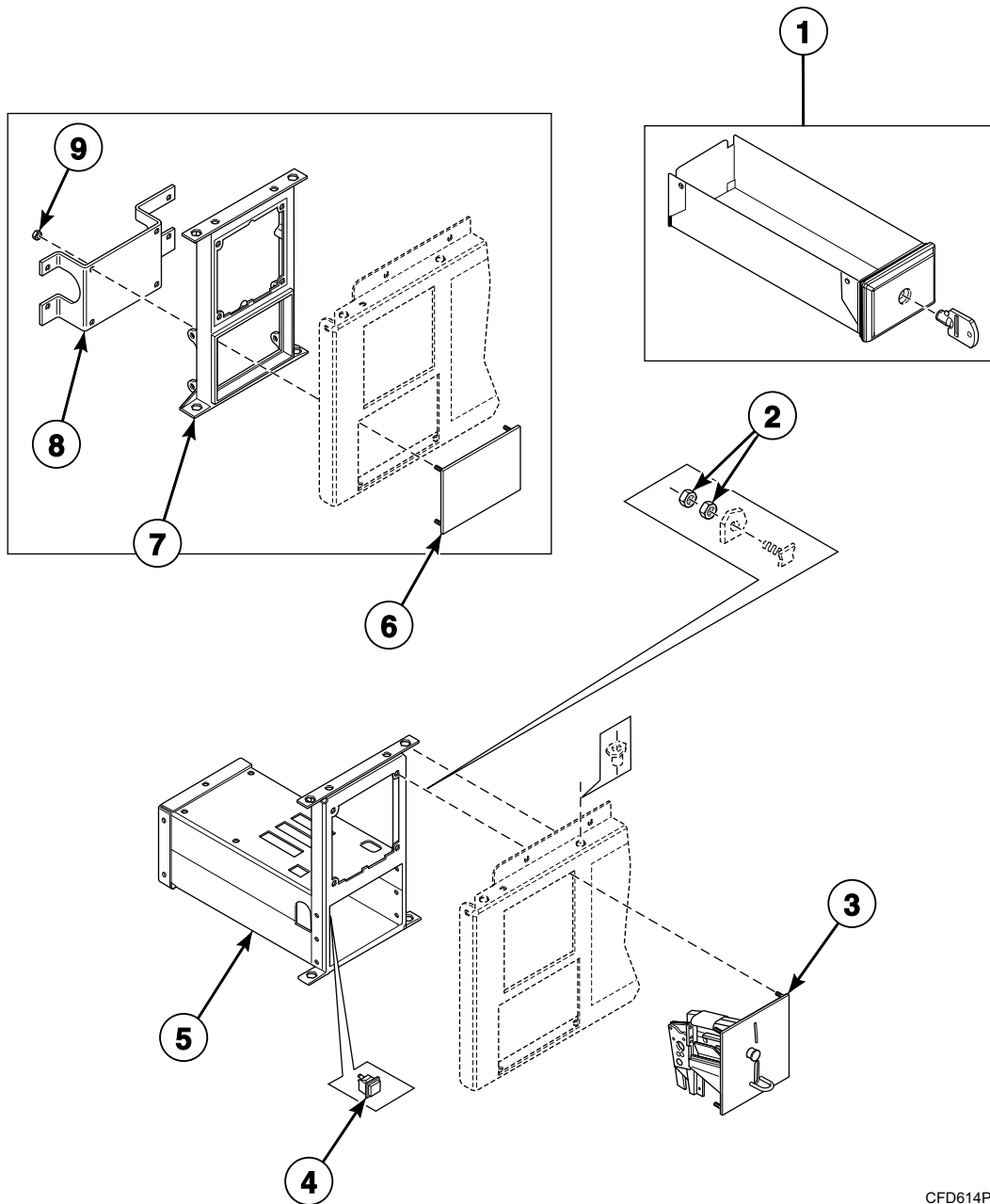
CFD611P_D1364

Control Panel - Cygnus Standard/Commercial Coin and Vended

REF	PART NO.	DESCRIPTION	COMMENTS
	B12349001	E-Stop Bypass Harness	
1	209/02001/02	Printboard	
2	204/00116/00	Nut	
3	223/00123/00	Washer	
4	223/00330/00	Protection LED	
5	B12389801	Nameplate	Models IH055_CYGNUS-VENDED, IH075_CYGNUS-VENDED, IH090_CYGNUS-VENDED, IHG235C, IHG235X, IHG305C, IHG305X, IHG400C, IHG400X, IHN235C, IHN235V, IHN235X, IHN305C, IHN305V, IHN305X, IHN400C, IHN400V, IHN400X, IHU235C, IHU235X, IHU305C, IHU305X, IHU400C, IHU400X, IHW235C, IHW235X, IHW305C, IHW305X, IHW400C, IHW400X, IHZ235C, IHZ235X, IHZ305C, IHZ305X, IHZ400C, IHZ400X, WD235_CYGNUS-COMM, WD235_CYGNUS-STANDARD, WD305_CYGNUS-COMM, WD305_CYGNUS-STANDARD, WD400_CYGNUS-COMM and WD400_CYGNUS-STANDARD
	B12389802	Overlay	Models CHG235X, CHG305X, CHG400X, CHN235X, CHN305X, CHN400X, CHU235X, CHU305X, CHU400X, CHW235X, CHW305X, CHW400X, CHZ235X, CHZ305X and CHZ400X
	B12389803	Overlay	Models DHU235X, DHU305X and DHU400X
	B12389806	Overlay	Models JHW235C and JHW235X
	B12530807	Overlay	Models JHW305C, JHW305X, JHW400C and JHW400X
	B12389810	Overlay	Models WHU235C, WHU305C and WHU400C
6	225/00322/00	Plexi Frame	
7	B12382901	Operating Sticker	Cygnus Standard coin models
	B12383201	Operating Sticker	Cygnus Commercial coin models
	B12456501	Operating Sticker	Cygnus Vended models
	B12531801	Operating Sticker	Models JHW235C, JHW235X, JHW305C, JHW305X, JHW400C and JHW400X
8	210/00902/00P	Infrared Cable	
9	B12385701	Operating Panel	*55 and *235 models
	B12386201	Operating Panel	All other models
10	209/02024/00	Datacard	Cygnus Standard/Commercial coin models
11	B12305201	Memory Card PC-Board	Cygnus Standard/Commercial coin models
12	B12538301	Data Card Ribbon Assembly	Cygnus Standard/Commercial coin models
13	211/00128/00	Printboard Separator	
14	B12388201	Door Lock PC-Board	
15	223/00374/00	Mounting Plate	

Coin Drop - Mechanical Coin Meter

Cygnus Commercial, Premium, Standard and Vended Models



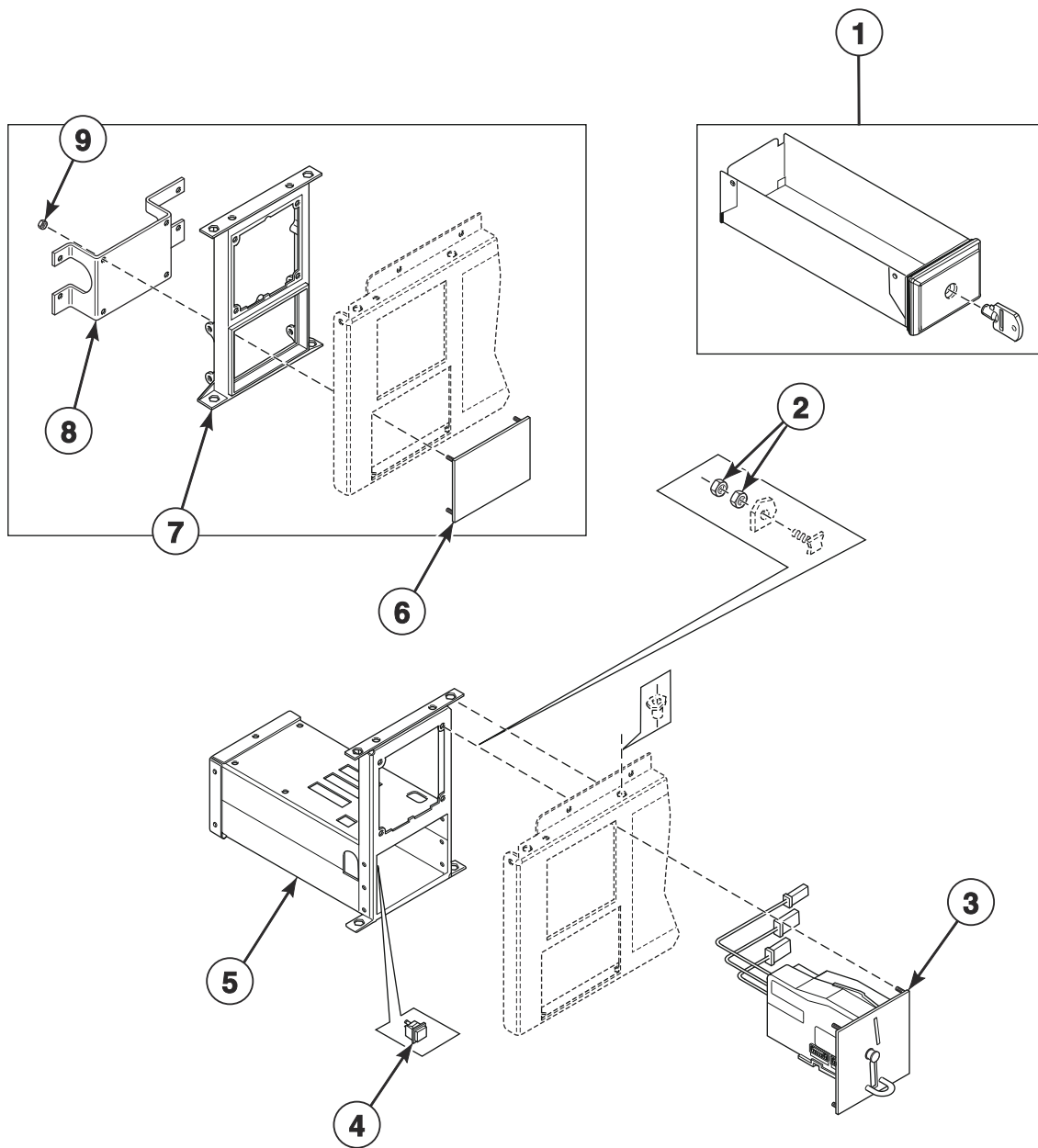
CFD614P_D1364

Coin Drop - Mechanical Coin Meter

REF	PART NO.	DESCRIPTION	COMMENTS
	B12309901	Wire Harness Assembly	Single/dual drop
	B12310001	Wire Harness Assembly	Dual drop
1	254/00077/00	Coin Box	
	254/00077/02	Key	
2	204/00116/00	Nut	
3	B12311224	Coin Drop	Mechanical; Jeton 5K
	B12311206	Coin Drop	Mechanical; Jeton 7K
	B12311201	Coin Drop	Mechanical; Jeton 10K
	B12311210	Coin Drop	Mechanical; Jeton 12K
	B12311252	Coin Drop	Mechanical; Jeton10K and .5 euro
	B12311211	Coin Drop	Mechanical; Jeton 7K and 1 euro
	B12323901	Coin Drop	Mechanical; Jeton 15K and 7K
	B12311204	Coin Drop	Mechanical; Jeton gettone
	B12311234	Coin Drop	Mechanical; Jeton crouzet
	B12311247	Coin Drop	Mechanical; Jeton 118-1
	B12311248	Coin Drop	Mechanical; Jeton 118-5
	B12311222	Coin Drop	Mechanical; 1 euro
	B12311214	Coin Drop	Mechanical; .5 euro
	B12311202	Coin Drop	Mechanical; .5 and 1 euro
	B12311239	Coin Drop	Mechanical; .5 and 2 euro
	B12311205	Coin Drop	Mechanical; .2 and 1 euro
	B11211209	Coin Drop	Mechanical; .2 and .5 euro
	B12311218	Coin Drop	Mechanical; 1 and 1 euro
	B12311219	Coin Drop	Mechanical; 1 and 2 euro
	B12311203	Coin Drop	Mechanical; 1 and 2 frank
	B12311207	Coin Drop	Mechanical; 1 Deense kroon
	B12311225	Coin Drop	Mechanical; 10 Deense kronen
	B12311235	Coin Drop	Mechanical; 10 Tsjechische kronen
	B12311244	Coin Drop	Mechanical; 10 Noorse kronen
	B12311208	Coin Drop	Mechanical; 100 and 500 yen
	B12311212	Coin Drop	Mechanical; 15K
	B12311215	Coin Drop	Mechanical; 1 kro
	B12311226	Coin Drop	Mechanical; Australia 1.00
	B12311216	Coin Drop	Mechanical; Australia .2 and 1.00
	B12311220	Coin Drop	Mechanical; New Zeland 1.00
	B12311221	Coin Drop	Mechanical; .5 and 2 zwitsers
	B12311241	Coin Drop	Mechanical; Hong Kong 1.00
	B12311249	Coin Drop	Mechanical; Hong Kong 5.00
	B12311301	Coin Drop	Mechanical; U.S. \$.25
	B12311302	Coin Drop	Mechanical; U.S. \$.25 and 1.00
	B12311304	Coin Drop	Mechanical; Canada .25 and 1.00
	B12323401	Coin Drop	Mechanical; Singapore 1.00
4	209/00396/00	Pushbutton	
5	152/00112/00	Mechanical Coin Meter Housing	
6	111/01003/00	Top Panel	Black; Central pay option
7	217/00060/00	Fastening Piece	Central pay option
8	111/01005/00	Backplate	Central pay option
9	204/00116/00	Nut	Central pay option

Coin Drop - Electronic Coin Meter

Cygnus Commercial, Premium, Standard and Vended Models

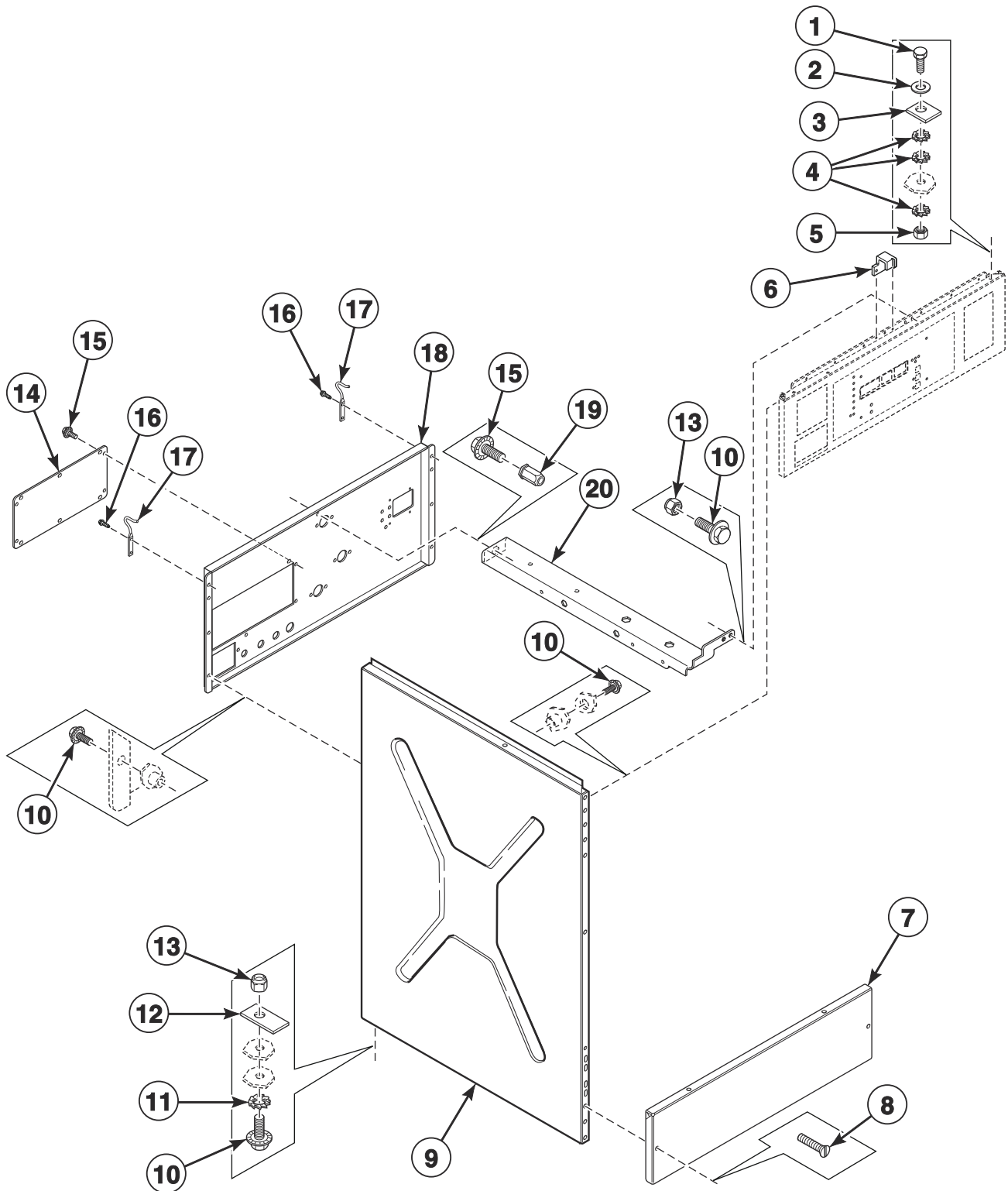


CFD617P_D1364

Coin Drop - Electronic Coin Meter

REF	PART NO.	DESCRIPTION	COMMENTS
	B12309901	Wire Harness Assembly	Single/dual drop
	B12310001	Wire Harness Assembly	Dual drop
1	254/00077/00	Coin Box	
	254/00077/02	Key	
2	204/00116/00	Nut	
3	B12311401	Coin Drop	
4	209/00396/00	Pushbutton	
5	152/00112/50	Electronic Coin Meter Housing	
6	111/01003/00	Top Panel	Black; Central pay option
7	217/00060/00	Fastening Piece	Central pay option
8	111/01005/00	Backplate	Central pay option
9	204/00116/00	Nut	Central pay option

Left Side, Lower Front and Upper Rear Panels

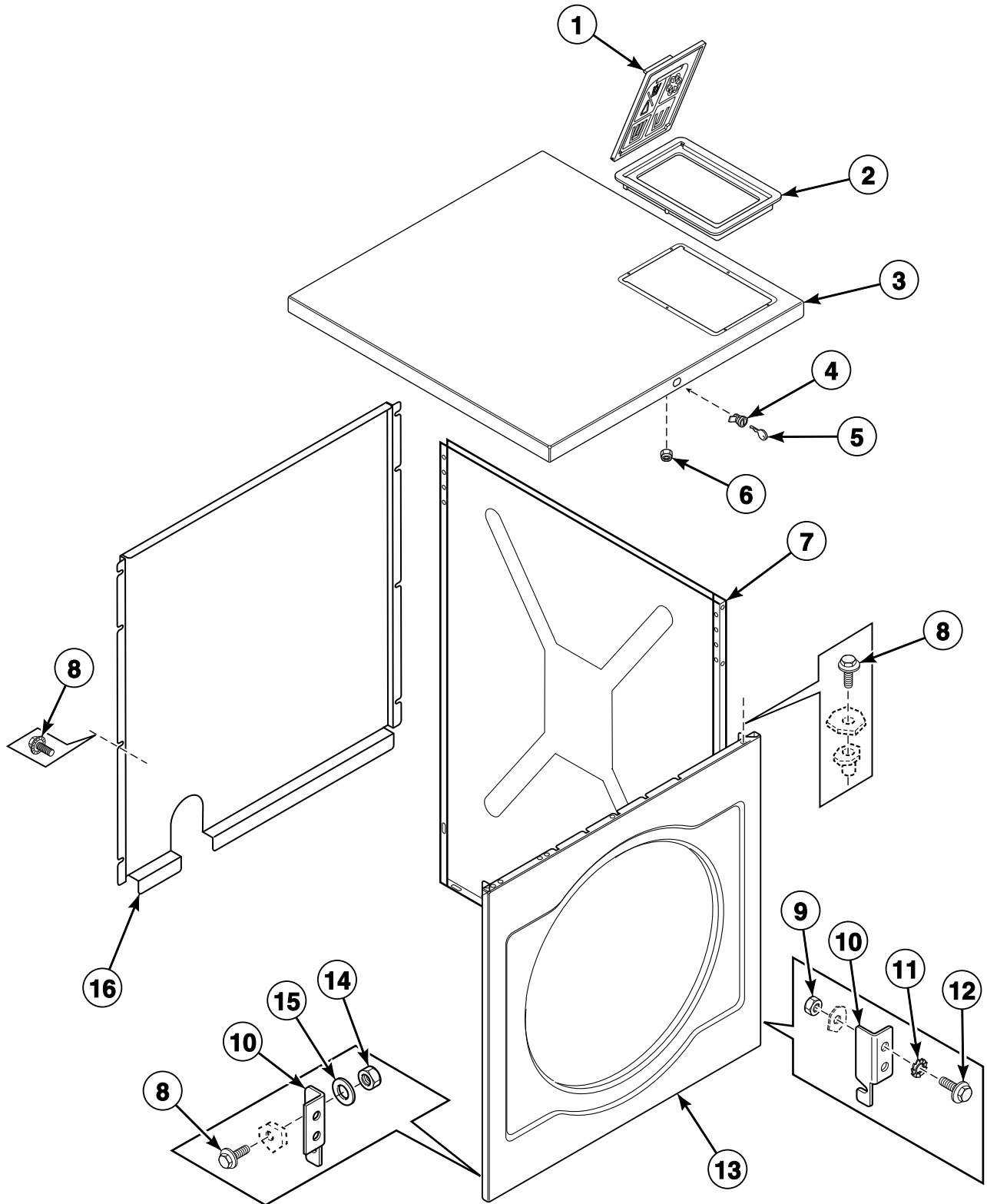


CHM3277P_D1364

Left Side, Lower Front and Upper Rear Panels

REF	PART NO.	DESCRIPTION	COMMENTS
1	205/00106/00	Bolt	
2	202/00003/00	Washer	
3	117/00042/00	Retaining Ring	
4	203/00005/00	Washer	
5	204/00107/00	Nut	
6	F8201001	Top Cover Latch	
7	111/00300/00	Kickplate	*55 and *235 models
	111/00333/00	Kickplate	All other models
8	B12500601	Screw	
9	140/60027/00	Side Panel	*55 and *235 models
	111/60038/00	Side Panel	*75 and *305 models
	133/60127/00	Side Panel	*90 and *400 models
10	205/00105/00	Bolt	
11	203/00004/00	Washer	
12	101/00007/00	Outlet Pipe Plate Assembly	
13	204/00009/00	Nut	
14	B12312501	Main Switch Cover	
15	206/00104/00	Screw	
16	B12462901	Screw	
17	B12487401	Top Cover Hinge	
18	B12336701	Backbridge	*55 and *235 models
	B12337801	Backbridge	All other models
19	204/00011/00	Nut	
20	B12337001	Supply Dispenser Crossbar	*55 and *235 models
	B12338101	Supply Dispenser Crossbar	*75 and *305 models
	B12357101	Supply Dispenser Crossbar	*90 and *400 models

Right Side, Front, Lower Rear and Top Panels

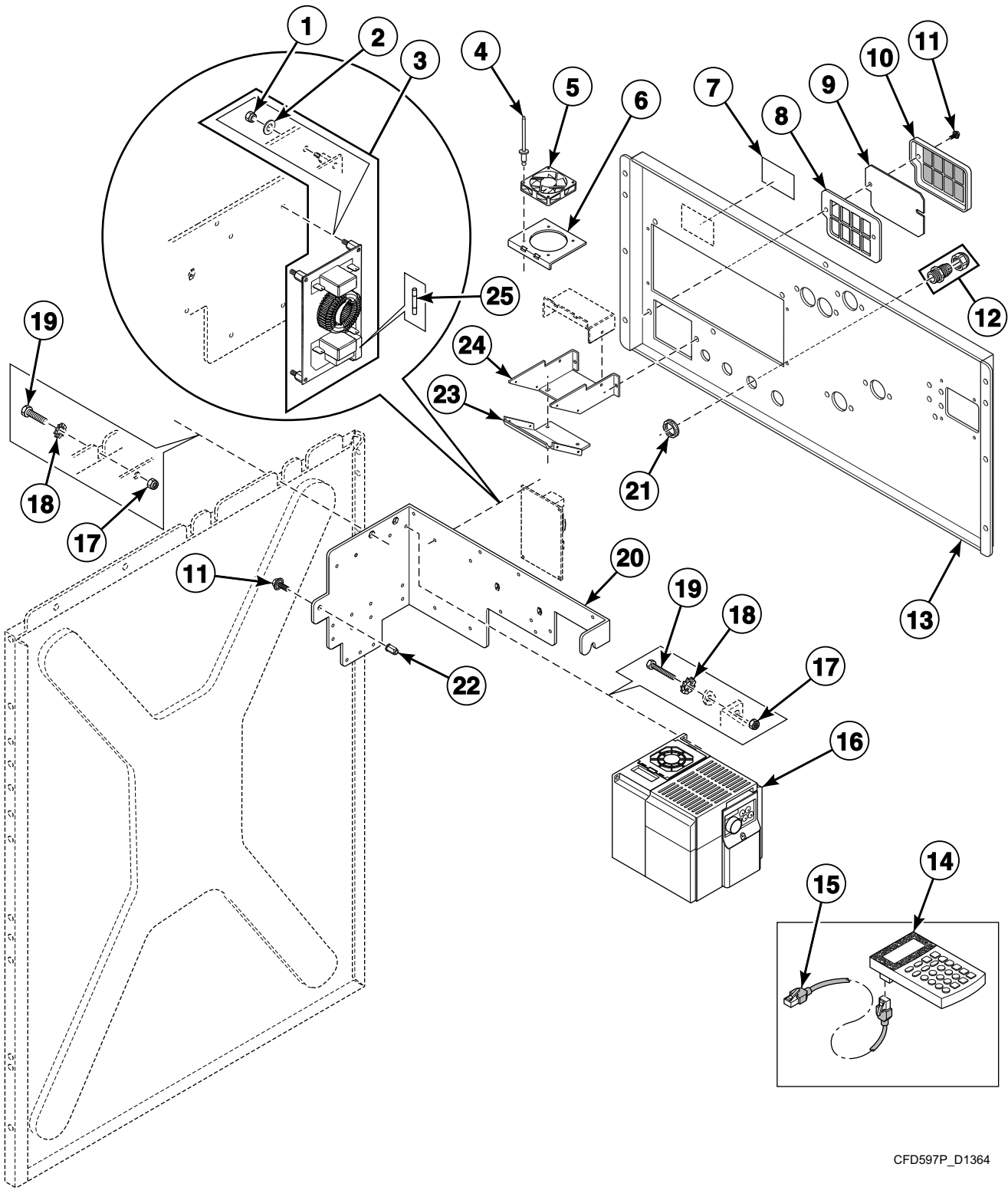


CHM3284P_D1364

Right Side, Front, Lower Rear and Top Panels

REF	PART NO.	DESCRIPTION	COMMENTS
1	B12319101	Supply Dispenser Cover	U.S. models
	B12356701	Supply Dispenser Cover	International models
2	B12319201	Supply Dispenser Cover Frame	
3	B12336901	Top Panel	*55 and *235 models
	B12338001	Top Panel	*75 and *305 models
	B12357001	Top Panel	*90 and *400 models
4	44089303P	Panel Lock	Includes item 5
5	70155603	Key	
6	B12509101	Nut	
7	140/60028/00	Side Panel	*55 and *235 models
	111/60038/50	Side Panel	*75 and *305 models
	133/60128/00	Side Panel	*90 and *400 models
8	206/00104/00	Screw	
9	204/00107/00	Nut	
10	111/10089/01	Reinforcement Plate	
11	203/00005/00	Washer	
12	206/00016/00	Bolt	
13	111/00293/00	Front Panel	*55 and *235 models
	111/00332/00	Front Panel	All other models
14	204/00106/00	Nut	
15	201/00007/00	Washer	
16	B12336801	Lower Rear Panel	*55 and *235 models
	B12337901	Lower Rear Panel	All other models

Inverter Drive

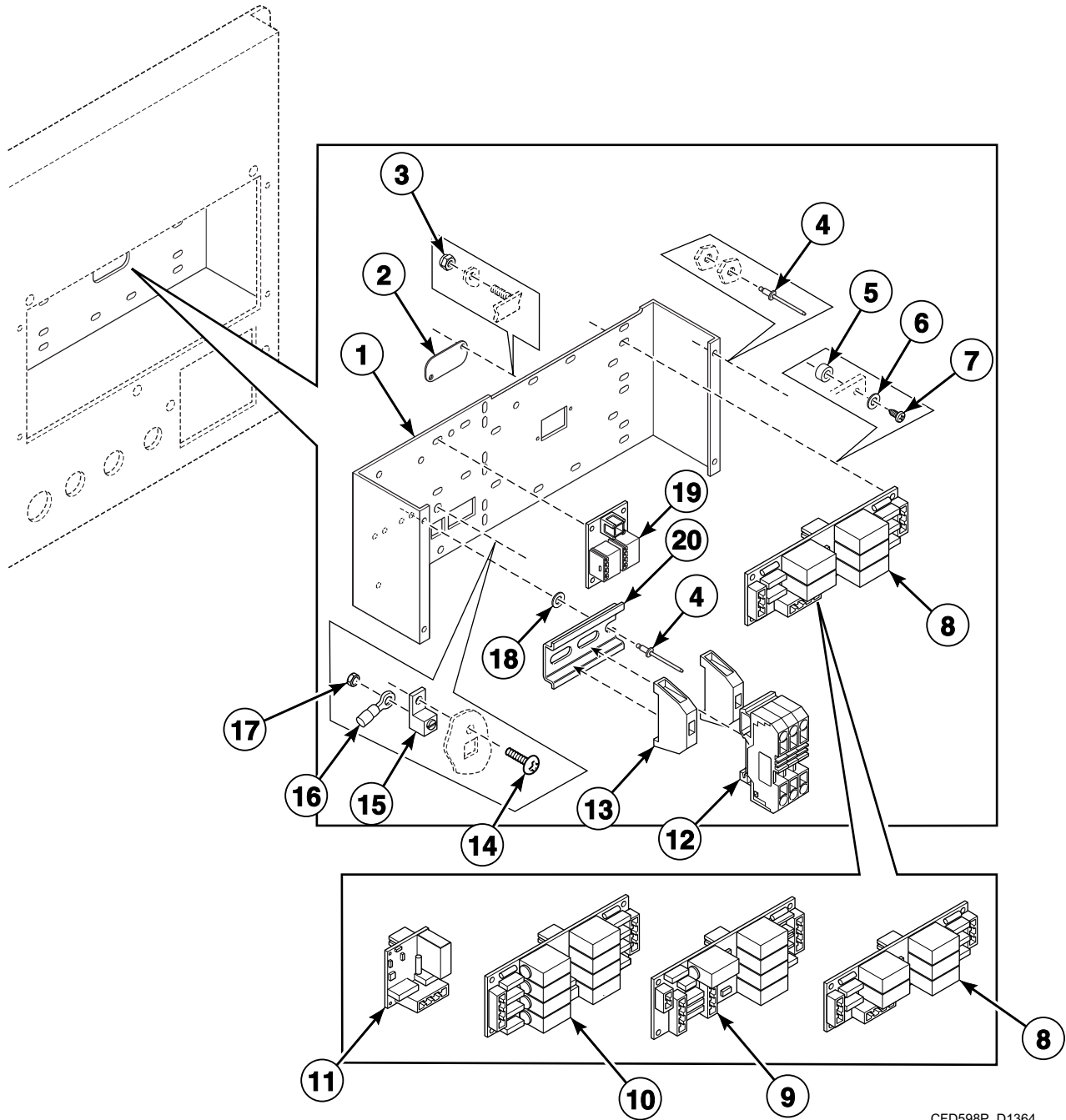


CFD597P_D1364

Inverter Drive

REF	PART NO.	DESCRIPTION	COMMENTS
	B12501501	E-Stop Drive Fan Harness	
	B12350101	Ethernet Cable	
1	204/00014/00	Nut	
2	202/00004/00	Washer	
3	B12339401	Noise Filter	30A1; 1x230 Volt; C, Q and X-voltage
	227/00242/00	Noise Filter	8A3; 3x400 Volt; N and P-voltage
4	208/00017/00	Rivet	
5	209/00465/00	Fan	
6	B12357201	Fan Mounting Plate	
7	B12355001	Voltage Discharge Decal	
8	B12372401	Inverter Air Inlet Filter Frame	Inside
9	B12382401	Inverter Air Inlet Filter Grill	
10	B12346701	Inverter Air Inlet Filter Frame	Outside
11	206/00104/00	Screw	
12	211/00181/00	Strain Relief Connector	
13	B12336701	Backbridge	*55 and *235 models
	B12337801	Backbridge	All other models
14	227/00171/00	Parameter Unit Assembly	Hand held
15	227/00171/10	Parameter Unit Program Cable	
16	227/00230/00	Inverter	700 series; 1x230 Volt; C, Q and X-voltage
	227/00238/00	Inverter	700 series; 3x400 Volt; N and P-voltage
17	204/00114/00	Nut	
18	203/00006/00	Washer	
19	206/00088/00	Bolt	
20	B12333201	Inverter Drive Box	
21	211/00170/00	Nut	
22	204/00011/00	Nut	
23	B12342701	Air Inlet Bottom	
24	B12342501	Air Inlet	
25	B12389501	Fuse	3.15 A; 500 Volt; Used with 227/00242/00 Filter; N and P-voltage
	209/00468/00	Fuse	3.15 A; Used with B12339401 Noise Filter; C, Q and X-voltage

Printboard Support Panel and Soap Injection Printboards

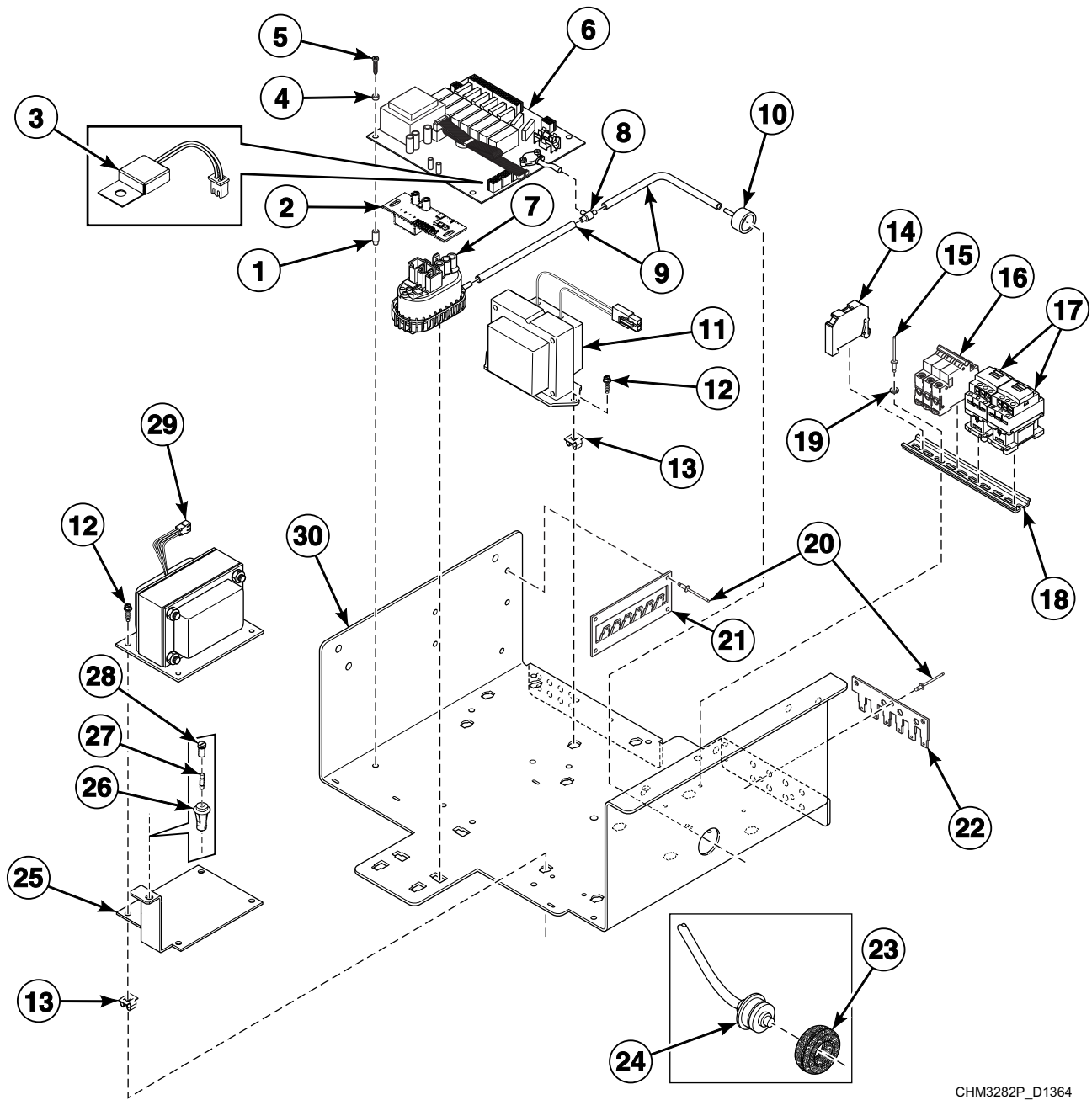


CFD598P_D1364

Printboard Support Panel and Soap Injection Printboards

REF	PART NO.	DESCRIPTION	COMMENTS
	B12388301	Ribbon Assembly	Used with items 8-11
1	B12312401	Printboard Support	
2	B12382501	Flat Cable Plate	
3	204/00116/00	Nut	
4	208/00017/00	Rivet	
5	B12390301	Standoff	
6	223/00123/00	Washer	
7	B12393801	Screw	
8	209/02005/00	Detergent PC-Board	1-5
9	209/02014/00	Relay PC-Board	5-5
10	209/02008/00	Detergent PC-Board	1-8
11	209/02016/00	Relay PC-Board	1-1
12	209/01625/00	Terminal Block	Grey; 3 on C, N, P and Q-voltage; 1 on X-voltage
	209/01624/00	Terminal Block	Blue; 1 on C and X-voltage
	209/01625/01	Terminal End	
13	209/00633/02	End Stop	
14	206/00104/00	Screw	
15	M411283	Ground Lug Connector	
16	B12456001	Wiring Earth for Inverter	
17	206/00101/00	Nut	
18	202/00004/00	Washer	
19	B12344201	Network Board	Network models
20	B12315401	DIN Rail	60 mm

Electrical Component Mounting Plate

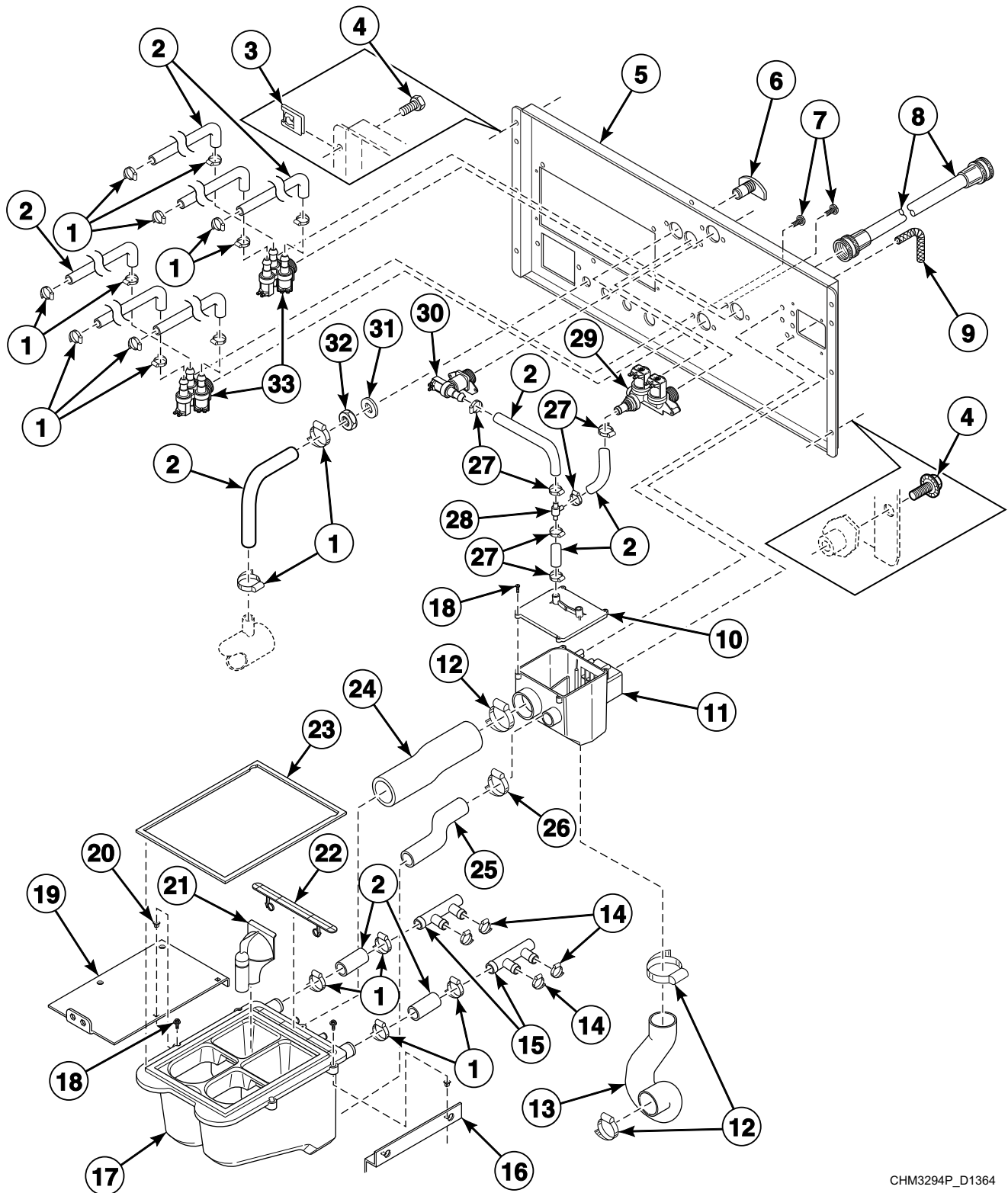


CHM3282P_D1364

Electrical Component Mounting Plate

REF	PART NO.	DESCRIPTION	COMMENTS
	B12392701	Direct Fill Harness	
	B12381101	Main Control Tray Harness	
	B12348801	Harness Control Comm	
	B12348301	Control Supply Harness	N and P-voltage
	B12348101	Control Supply Harness	C, Q and X-voltage
	B12381402	Control Supply Harness	24 VAC
	B12390201	Network Connection Wiring	
1	B12390301	Standoff	
2	B12341801	Printboard	Network models
3	209/02020/00	ID Chip	
4	223/00123/00	Washer	
5	B12393801	Screw	
6	B12355701	Control Board	
	B12360001	Fuse	1.25A
7	B12509601	Pressure Switch	Single lever; 230/195; Electric, steam and dual heat
8	223/00173/10	Pressure Switch Hose Tee	
9	223/00333/00	Pressure Hose	
10	223/00035/02	Pressure Switch Cap	
11	201616	Transformer	Models with extension boards
12	B12462901	Screw	
13	B12449601	Expansion Clip	N and P-voltage
14	209/00633/02	End Stop	Electric, steam and dual heat
15	208/00017/00	Rivet	
16	B12487101	Circuit Breaker	C and Q-voltage; Electric heat
	B12474601	Circuit Breaker	N and P-voltage; Electric heat
17	209/06148/02	Heating Contactor	1 on C, P and N-voltage; 2 on Q-voltage; Electric heat
18	B12315301	DIN Rail	200 mm
19	202/00004/00	Washer	
20	208/00017/00	Rivet	
21	B12395201	Earth Plate Side	
22	B12395301	Earth Plate Bottom	
23	225/10004/00	Thermostat Seal	
24	210/01064/16	Thermostat	
25	B12439601	Transformer Fuse Mounting Plate	N and P-voltage
26	70329401	Fuse Holder Body	N and P-voltage
27	802492	Fuse	N and P-voltage
28	70329501	Fuse Holder Cap	N and P-voltage
29	F8401301	Transformer	N and P-voltage
30	B12313001	Electrical Component Mounting Plate	

Fill Plumbing Assembly

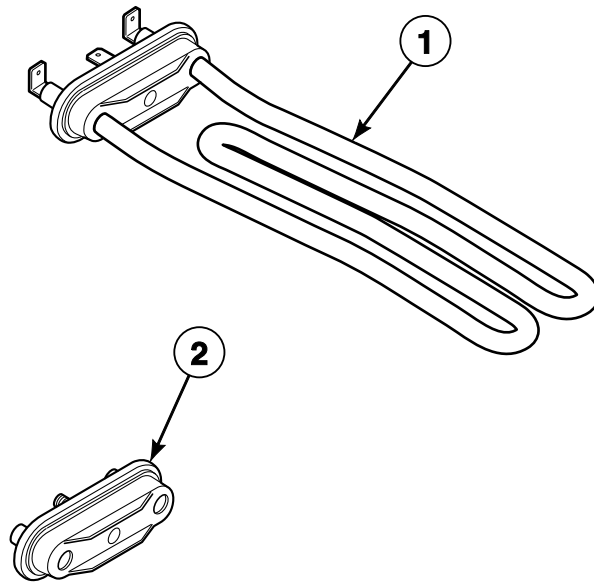


CHM3294P_D1364

Fill Plumbing Assembly

REF	PART NO.	DESCRIPTION	COMMENTS
	B12349201	Inlet Valve Harness	*55 and *235 models
	B12349203	Inlet Valve Harness	All other models
1	223/00010/00	Hose Clamp	
2	223/00044/01	Water Hose	
3	B12449601	Expansion Clip	
4	B12462901	Screw	
5	B12336701	Backbridge	*55 and *235 models
	B12337801	Backbridge	All other models
6	223/00001/04	Prewash and Mainwash Nozzle	
7	206/00027/00	Bolt	
8	F200164	Water Hose	Standard thread
	F200166	Water Hose	Metric thread
9	B12687401	Pressure Hose	
10	F8439301	Vacuum Breaker Cover	
11	F8048601	Vacuum Breaker Assembly	Includes item 10
12	223/00014/00	Hose Clamp	
13	B12324403	Siphon Break Hose	*55 and *235 models
	B12324402	Siphon Break Hose	*75 and *305 models
	B12324404	Siphon Break Hose	*90 and *400 models
14	223/00011/00	Hose Clamp	
15	F8333201	Manifold	
16	B12316401	Supply Dispenser Support	
17	F8047401	Dispenser Assembly	
18	B12462801	Screw	
19	B12337301	Supply Dispenser Mounting Plate	
20	B12463001	Insert	
21	F8047901	Siphon Cover	
22	F8047801	Access Cover	
23	F8308301	Dispenser Gasket	
24	B12390005	Vacuum Supply Hose	
25	B12313304	Dispenser Overflow Hose	
26	223/00223/00	Hose Clamp	
27	223/00013/00	Hose Clamp	
28	223/00041/00	Water Inlet Tee	
29	F8434001	Mixing Valve	U.S. thread
	F8434002	Mixing Valve	E.U. thread
30	223/00050/01	Water Valve Adapter	U.S. thread
	209/00276/00	Inlet Valve	1-way; E.U. thread; Hard water rinse; Optional
31	201/00002/00	Washer	
32	204/00201/00	Nut	
33	B12496101	Inlet Valve	3-way; U.S. thread
	B12496201	Inlet Valve	3-way; E.U. thread

Steam and Electric Heating Options



CFD588P_D1364

Steam and Electric Heating Options

REF	PART NO.	DESCRIPTION	COMMENTS
	B12308001	Relay	Steam heat
	209/06148/02	Heating Contactor	Steam heat
	B12381301	Heating Contactor	Electric heat; Q-voltage; *75, *90, *305 and *400 models with C and P-voltage
	B12382302	Steam Valve Harness	
	B12348501	Branch Harness	Electric heat; N-voltage; *55 and *235 models with P-voltage
	B12348502	Branch Harness	Electric heat; C-voltage; *55 and *235 models
	B12348506	Branch Harness	Electric heat; Q-voltage; *75 and *305 models with C and P-voltage
	B12348507	Branch Harness	Electric heat; C-voltage; *75, *90, *305 and *400 models
	B12349601	Electric Heat Harness	
	B12349701	Steam Heat Harness	
	B12349801	Dual Heat Harness	
	B12381204	Power Jumper Harness	Electric heat; Q-voltage
	B12381203	Power Jumper Harness	Electric heat; P-voltage; *75, *90, *305 and *400 models
	B12381205	Power Jumper Harness	Electric heat; C-voltage; *75, *90, *305 and *400 models
	B12455803	Heat Harness	Electric heat; 1; C, P and Q-voltage; *55 and *235 models
	B12455804	Heat Harness	*75, *90, *305 and *400 models electric heat; 1; C, P and Q-voltage; *55 and *235 models 2; Q-voltage
	B12455805	Heat Harness	Electric heat; 2; C, P and Q-voltage; *75, *90, *305 and *400 models
	B12455904	Heat Harness	*75, *90, *305 and *400 models electric heat; 2; N-voltage; *55 and *235 models 1; C, N and P-voltage
	B12455903	Heat Harness	Electric heat; 1; C, N and P-voltage; *55 and *235 models
	B12455905	Heat Harness	Electric heat; 2; N-voltage; *75, *90, *305 and *400 models
1	209/00581/10	Heating Element	4 kW; 380 Volt; C and P-voltage; *75, *90, *305 and *400 models
	209/00562/20	Heating Element	3 kW; 240 Volt; Q-voltage; *55 and *235 models with C and P-voltage
	209/00564/20	Heating Element	3 kW; 275 Volt; N-voltage
2	F360202	Heating Element Plug	