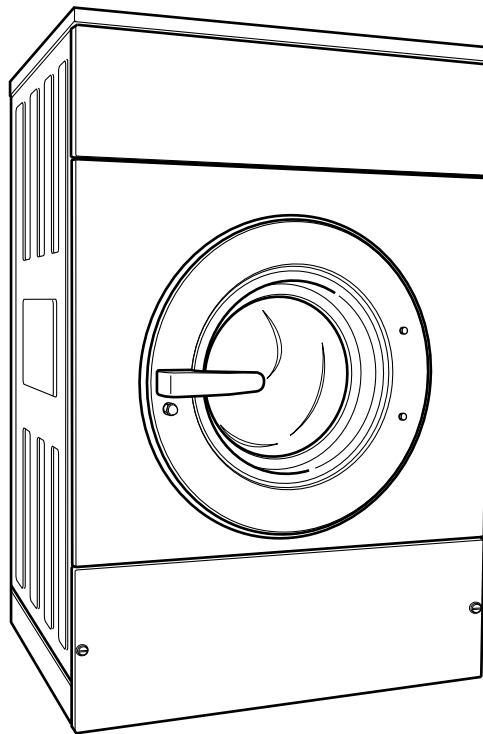


Washer-Extractor

Cabinet Hardmount

Refer to Page 3 for Model Numbers



CFD299C_D0239

Model Identification

Information in this manual is applicable to these washer-extractor models:

HW55_MICRO-20_COIN



HW55_MICRO-20_OPL

HW55_PS40F

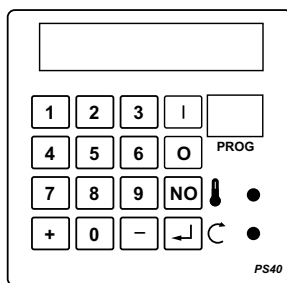
HW55_SIGMA_COIN

HW55_SIGMA_OPL

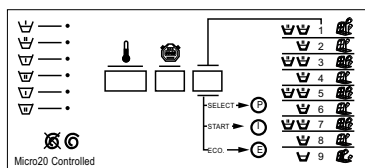
Cabinet Hardmount Washer-Extractor Product Overview

Type:	HW55P	Nr:	07110580147
Voltage:	3 ~ 380V 50Hz	Weight:	1787 kg
Motor:	7.5 kW 20 A	Capacity:	575 L
Heating:	36 kW 60 A	Dry Load:	57 kg
Total:	43.50 kW	Drum:	980 mm
Kinetic energy:	23257N/M	Speed:	800 rpm
Manufactured in:	2007		
Water Pressure: min. 2.07 max. 5.86 Kg/cm ² IPX4 min. 20.7 max. 58.6 N/cm ²			
sfc 741295			
 Alliance International BVBA Nieuwstraat 146 8560 Wevelgem Belgium Tel: +32 56 41 20 54 Fax: +32 56 41 86 74 www.ipso.be			

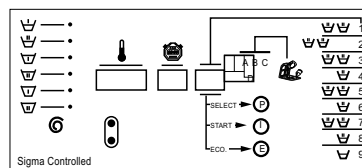
Label 1



PS40



Micro 20



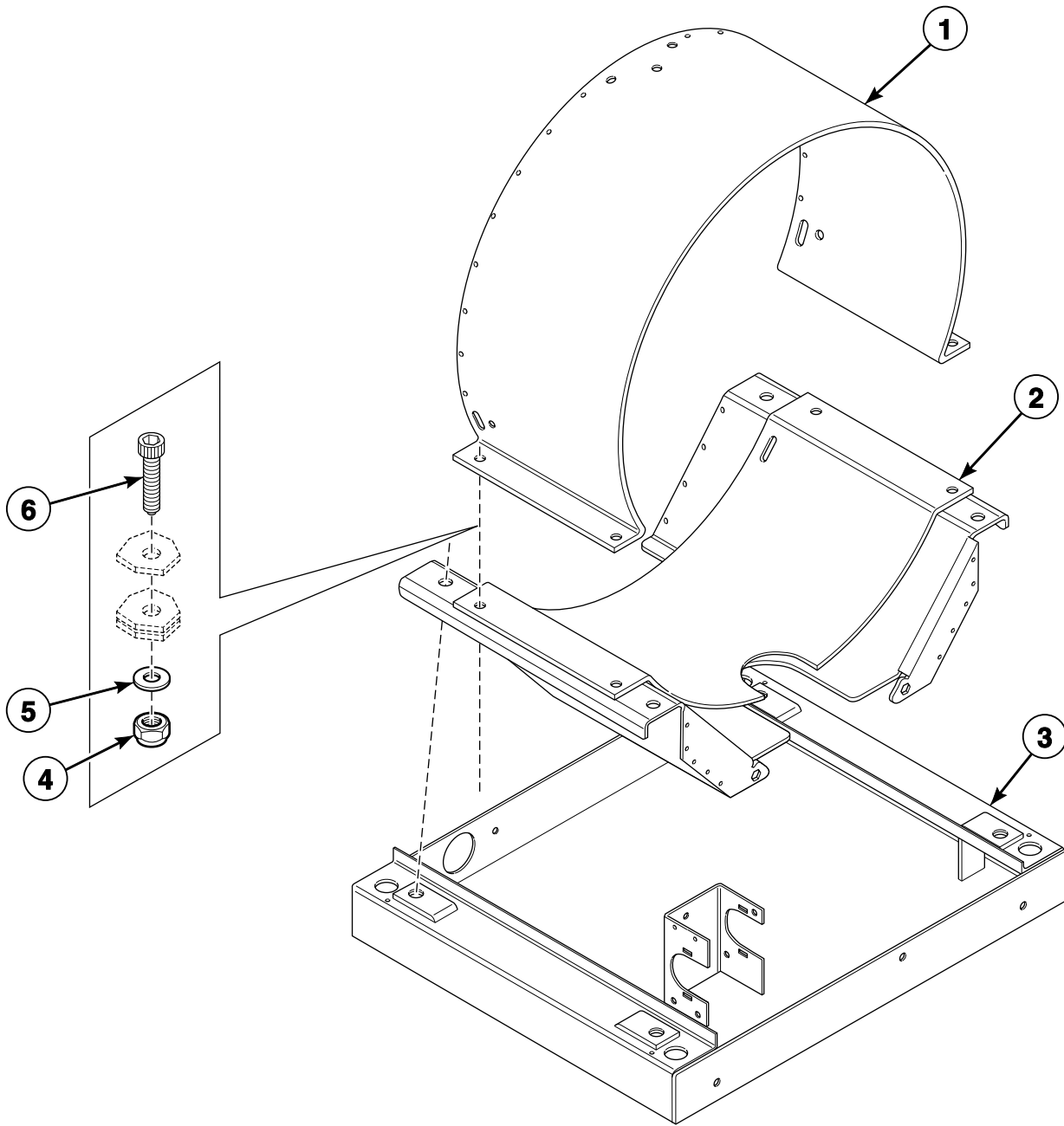
Sigma

CFD300P_D0239

Cabinet Hardmount Washer-Extractor Product Overview

REF	PART NO.	DESCRIPTION	COMMENTS
1	-	Product Family	HW
2	-	Capacity	55

Frame

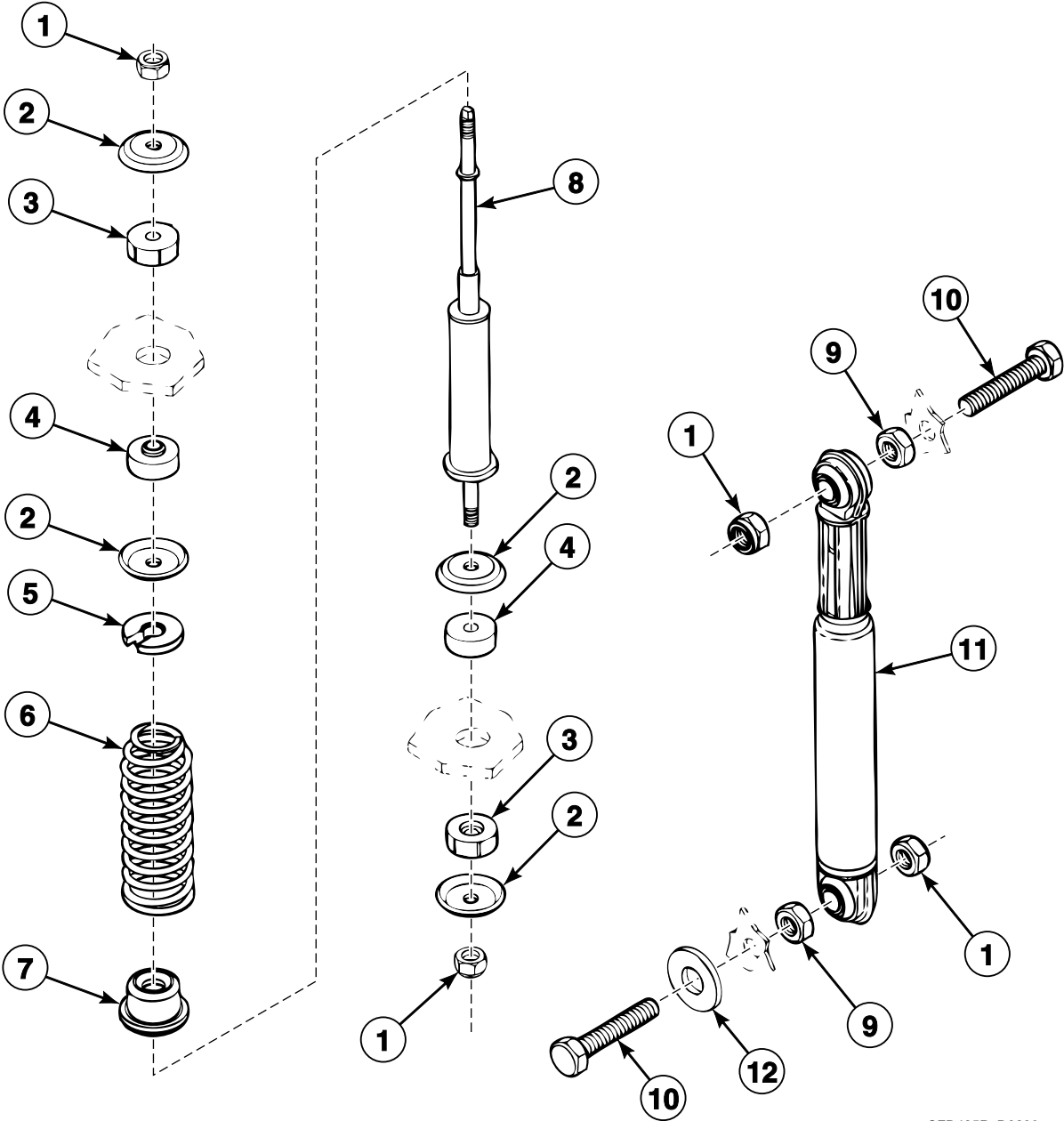


BE000458CP_D0239

Frame

REF	PART NO.	DESCRIPTION	COMMENTS
1	155/00123/00	Support Ring	
2	155/00134/00	Tub Support Assembly	
3	155/00131/50	Frame Assembly	
4	204/00110/00	Nut	
5	201/00010/00	Washer	
6	206/00151/00	Screw	

Shock Absorber - Models Through 2/5/04

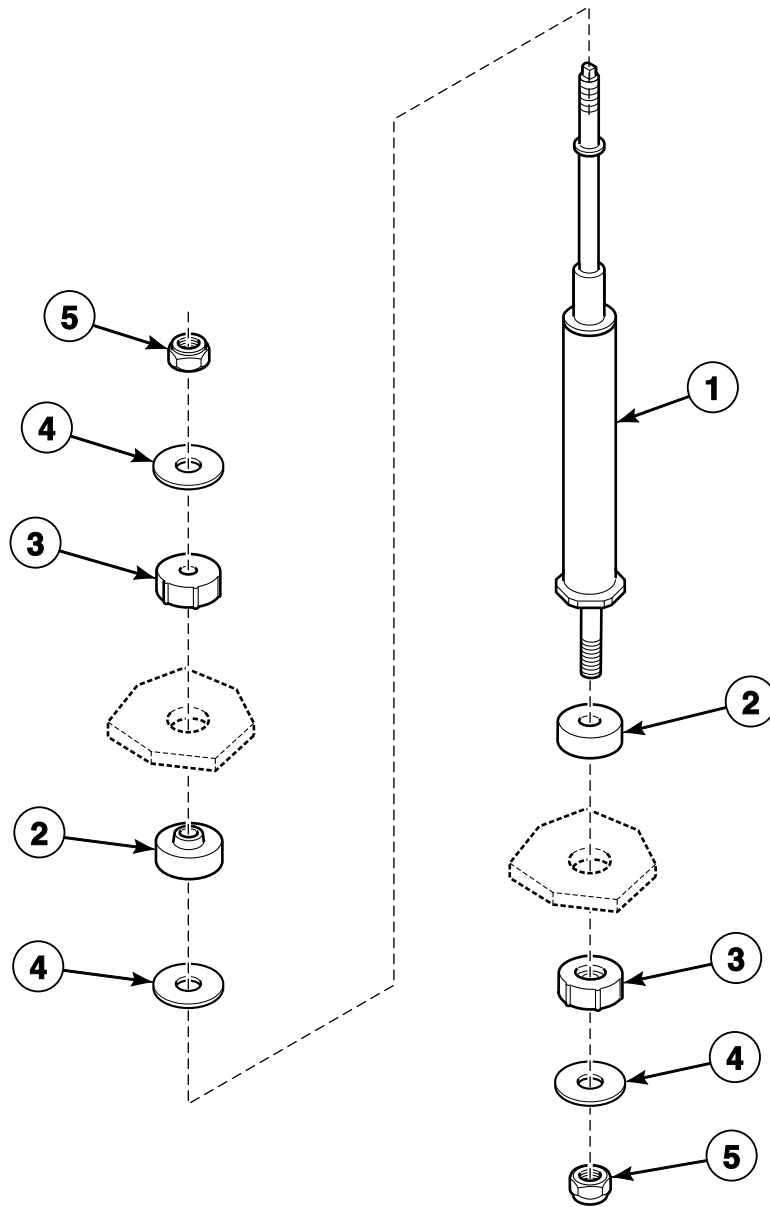


CFD485P_D0239

Shock Absorber - Models Through 2/5/04

REF	PART NO.	DESCRIPTION	COMMENTS
1	204/00110/00	Nut	
2	115/00151/00	Spacer	
3	247/00007/00	Fastening Rubber	
4	247/00006/00	Fastening Rubber	
5	247/00001/04	Spring Holder Top	
6	247/00001/01	Suspension Spring	
7	247/00001/03	Spring Seat Bottom	
8	247/00002/02	Shock Absorber	
9	204/00003/00	Nut	
10	206/00110/00	Bolt	
11	247/00005/00	Shock Absorber	
12	201/00010/00	Washer	

Shock Absorber - Models Starting 2/6/04

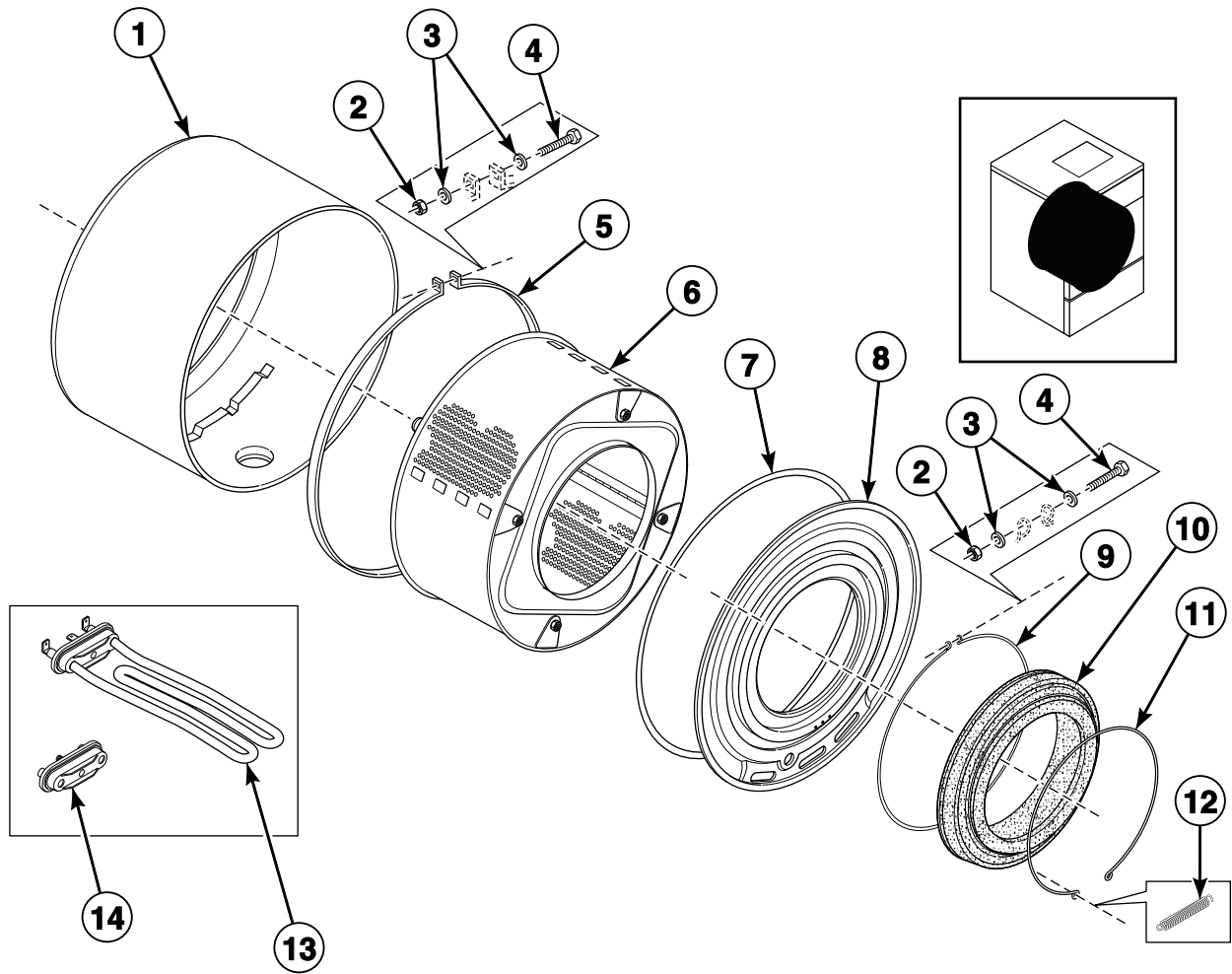


BE000459BP_D0239

Shock Absorber - Models Starting 2/6/04

REF	PART NO.	DESCRIPTION	COMMENTS
1	252/00019/00	Shock Absorber	
2	247/00006/00	Fastening Rubber	
3	247/00007/00	Fastening Rubber	
4	201/00015/00	Washer	
5	204/00110/00	Nut	

Shell, Basket and Heating Elements

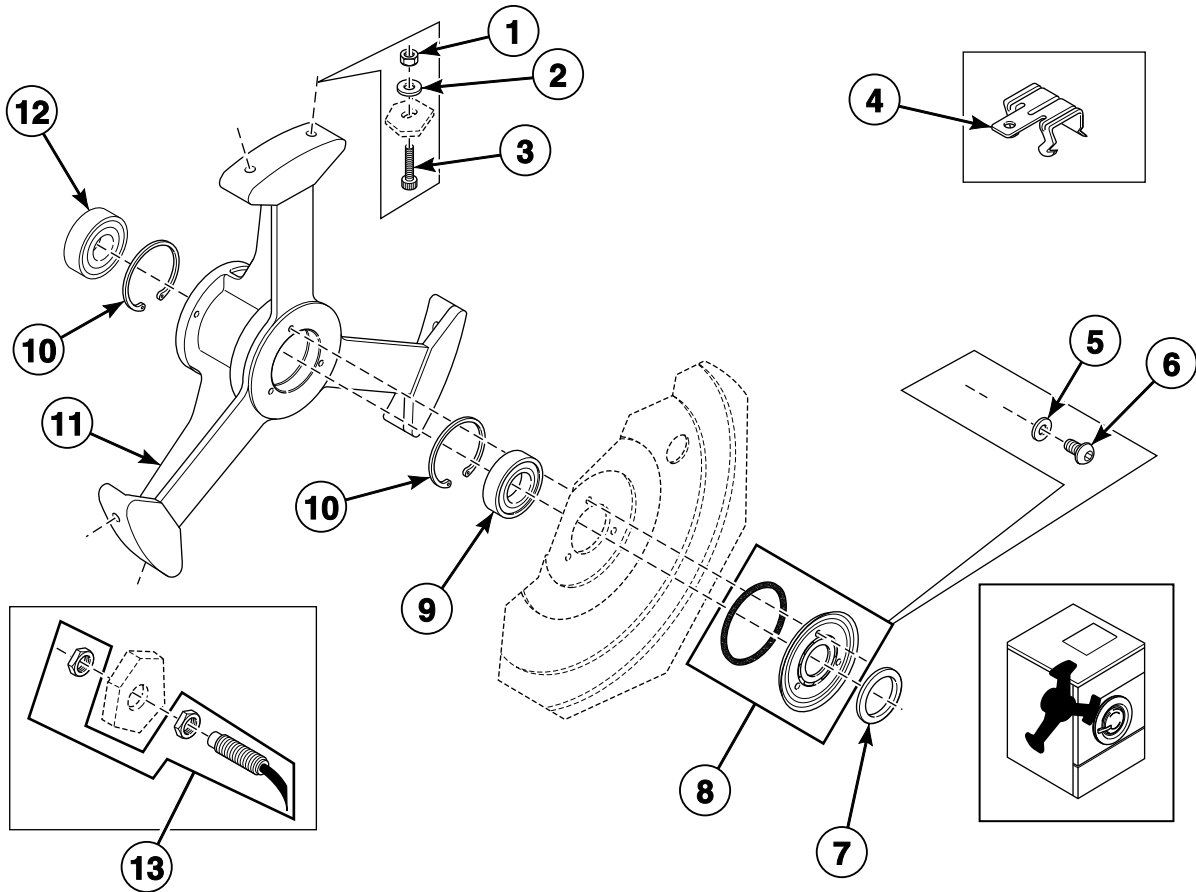


BE000460AP_D0239

Shell, Basket and Heating Elements

REF	PART NO.	DESCRIPTION	COMMENTS
1	155/00106/00	Tub Outer	
2	204/00009/00	Nut	
3	202/00003/00	Washer	
4	206/00032/00	Bolt	
5	155/00104/00	Ring	
6	155/00115/00	Drum and Axle	
7	223/00258/00	Gasket	
8	155/00102/EV3	Front Panel	
9	238/00017/00	Clamp	
10	255/00123/00	Boot	
11	238/00013/00	Fastening Ring	
12	238/00014/00	Spring	
13	209/00562/01	Heating Element	3000W
	209/00563/01	Heating Element	2000W
	209/00564/01	Heating Element	1400W
14	209/00196/00	Heating Element Plug	

Bearing Housing

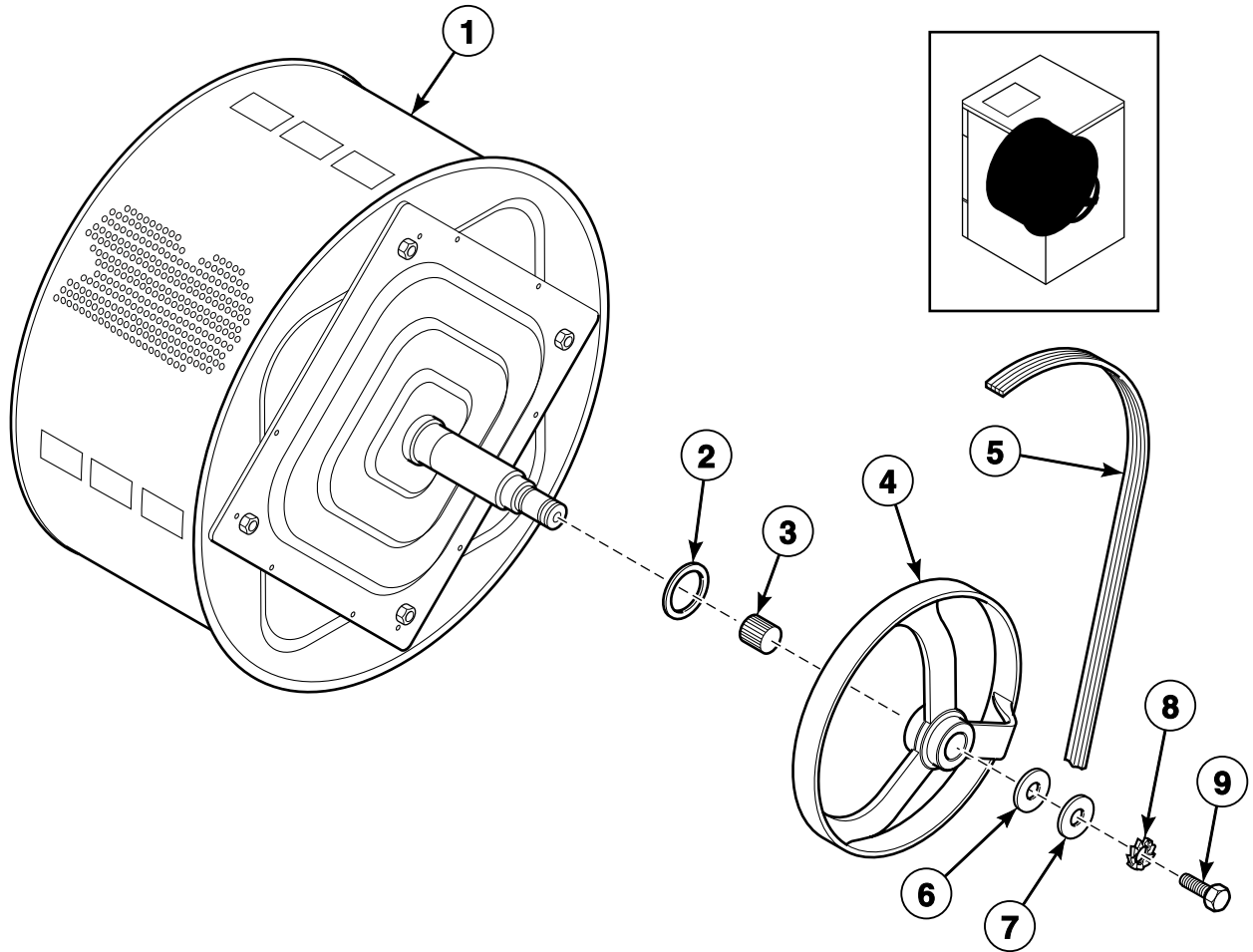


BE000461CP_D0239

Bearing Housing

REF	PART NO.	DESCRIPTION	COMMENTS
1	204/00110/00	Nut	
2	201/00010/00	Washer	
3	206/00151/00	Screw	
4	224/00051/00	Caddy Bracket	
5	201/00204/00	Washer	
6	208/00123/00	Screw	
7	255/00015/00	Lip Seal	
8	117/00002/50	Plate Seal	
9	215/00016/00	Ball Bearing	
10	212/00028/00	Retaining Ring	
11	255/00120/00	Bearing Housing Assembly	Includes items 9 and 12
	255/00116/01	Bearing Housing	
12	215/00001/03	Ball Bearing	
13	209/00400/00	Speed Detector	

Basket, Pulley and Belt

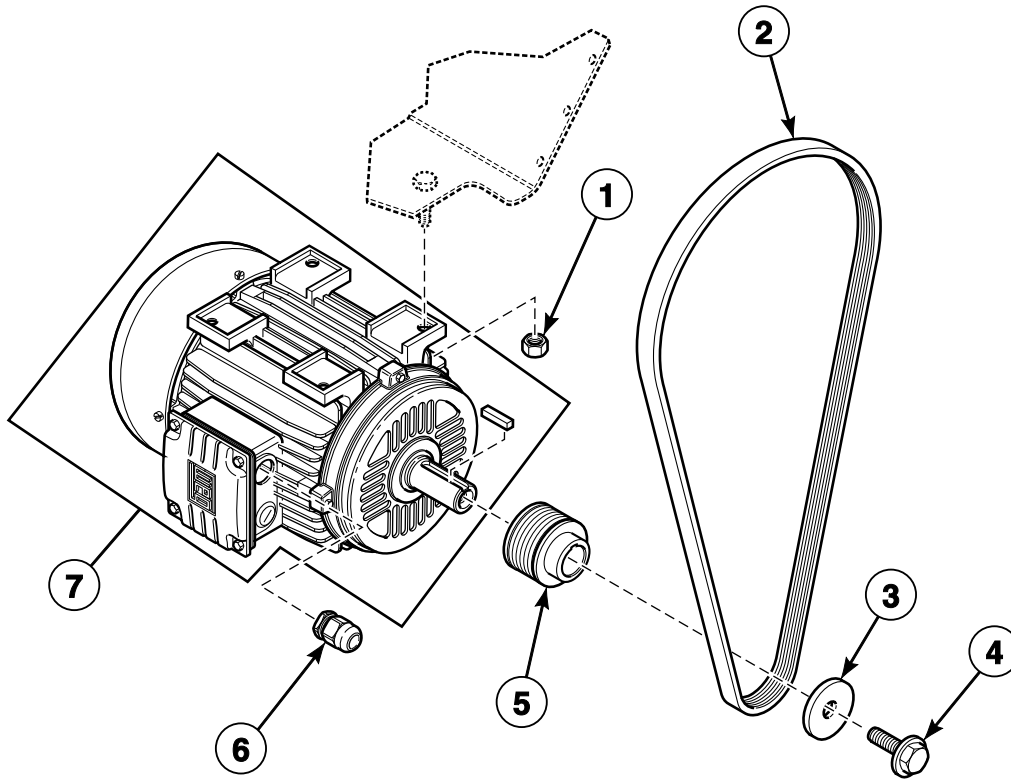


BE000462AP_D0239

Basket, Pulley and Belt

REF	PART NO.	DESCRIPTION	COMMENTS
1	155/00115/00	Drum and Axle	
2	255/00015/00	Lip Seal	
3	215/00004/00	Tolerance Ring	
4	255/00117/00	Pulley	
5	255/00013/00	Belt	
6	201/00015/00	Washer	
7	201/00004/00	Washer	
8	203/00002/00	Washer	
9	206/00005/00	Bolt	

Motor

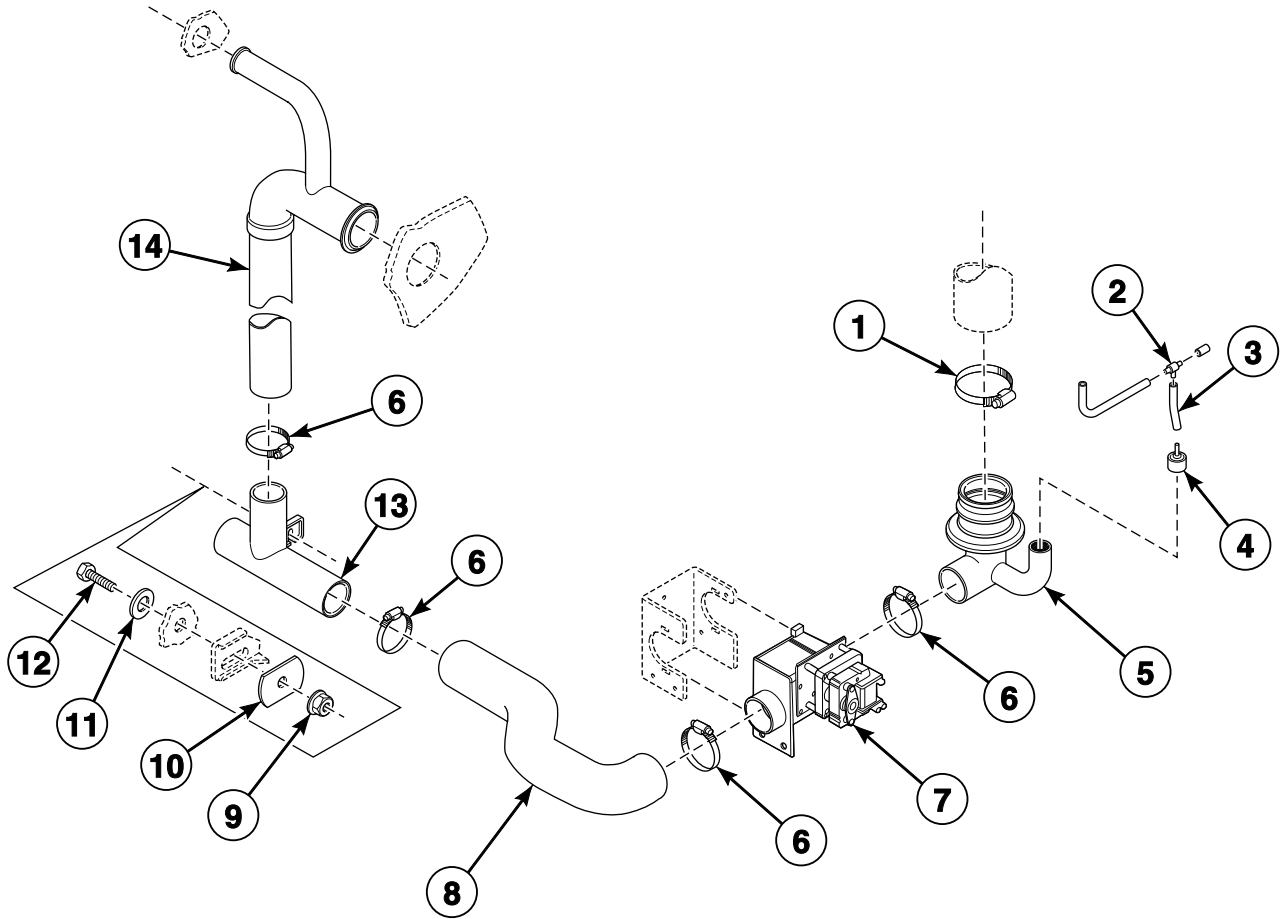


BE000466AP_D0239

Motor

REF	PART NO.	DESCRIPTION	COMMENTS
1	204/00109/00	Nut	
2	255/00013/00	Belt	
3	201/00006/00	Washer	
4	206/00099/00	Bolt	
5	255/00012/00	Motor Pulley	
6	211/00167/00	Cordlock	
7	255/00014/00	Motor	

Drain Plumbing

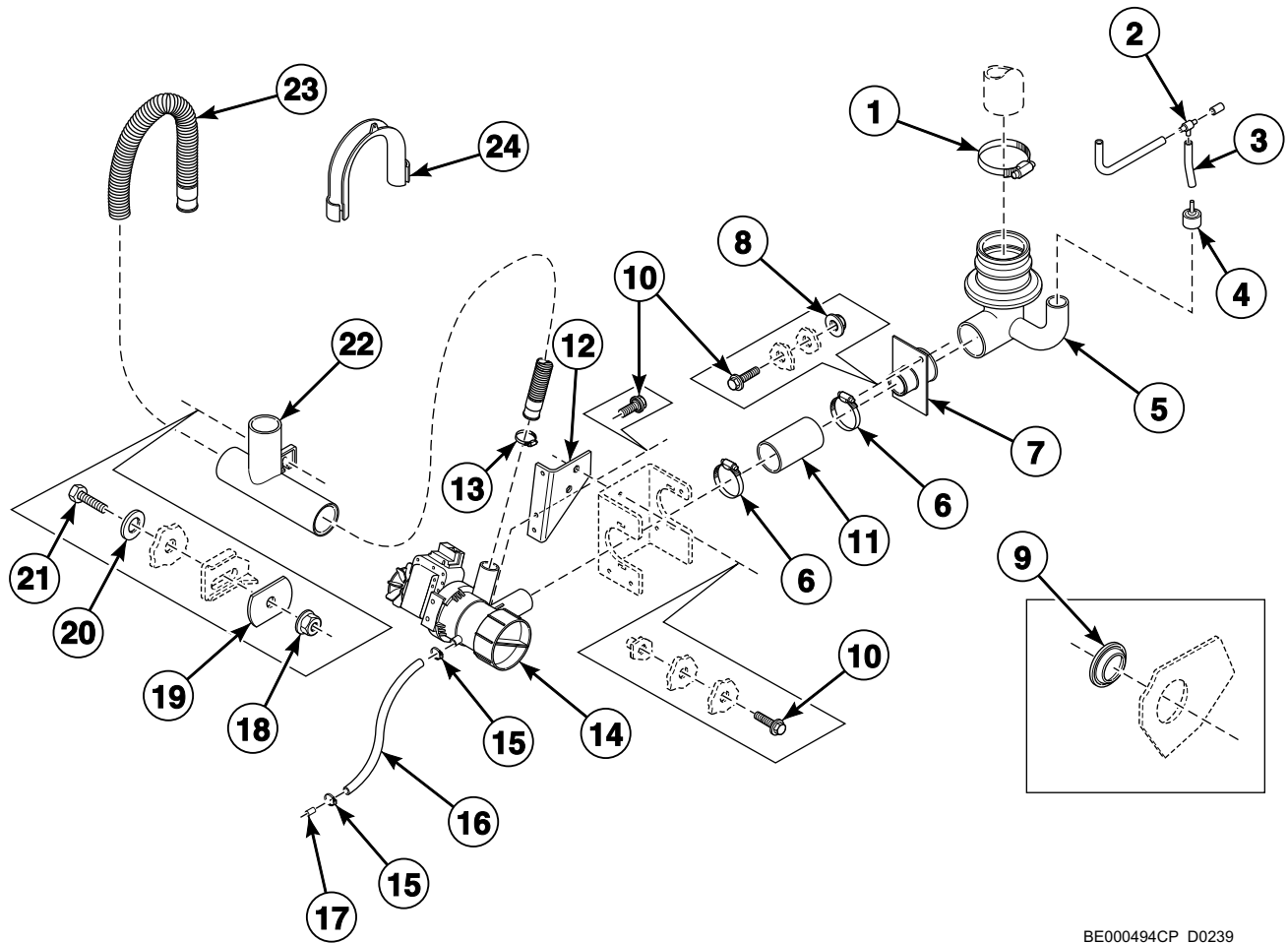


BE000541AP_D0239

Drain Plumbing

REF	PART NO.	DESCRIPTION	COMMENTS
1	223/00014/00	Hose Clamp	
2	223/00173/10	Pressure Switch Hose Tee	
3	223/00212/00	Pressure Switch Hose	
4	223/00035/02	Pressure Switch Cap	
5	255/00010/00	Tub to Drain Valve Hose	
6	223/00013/00	Hose Clamp	
7	209/00463/00	Drain Valve	
8	223/00126/00	Valve to Drain Hose	
9	206/00101/00	Nut	
10	101/00007/00	Outlet Pipe Plate Assembly	
11	201/00007/00	Washer	
12	206/00033/00	Bolt	
13	223/00146/00	Drain Piece	
14	223/00149/50	Overflow Hose	

Drain Plumbing with Pump

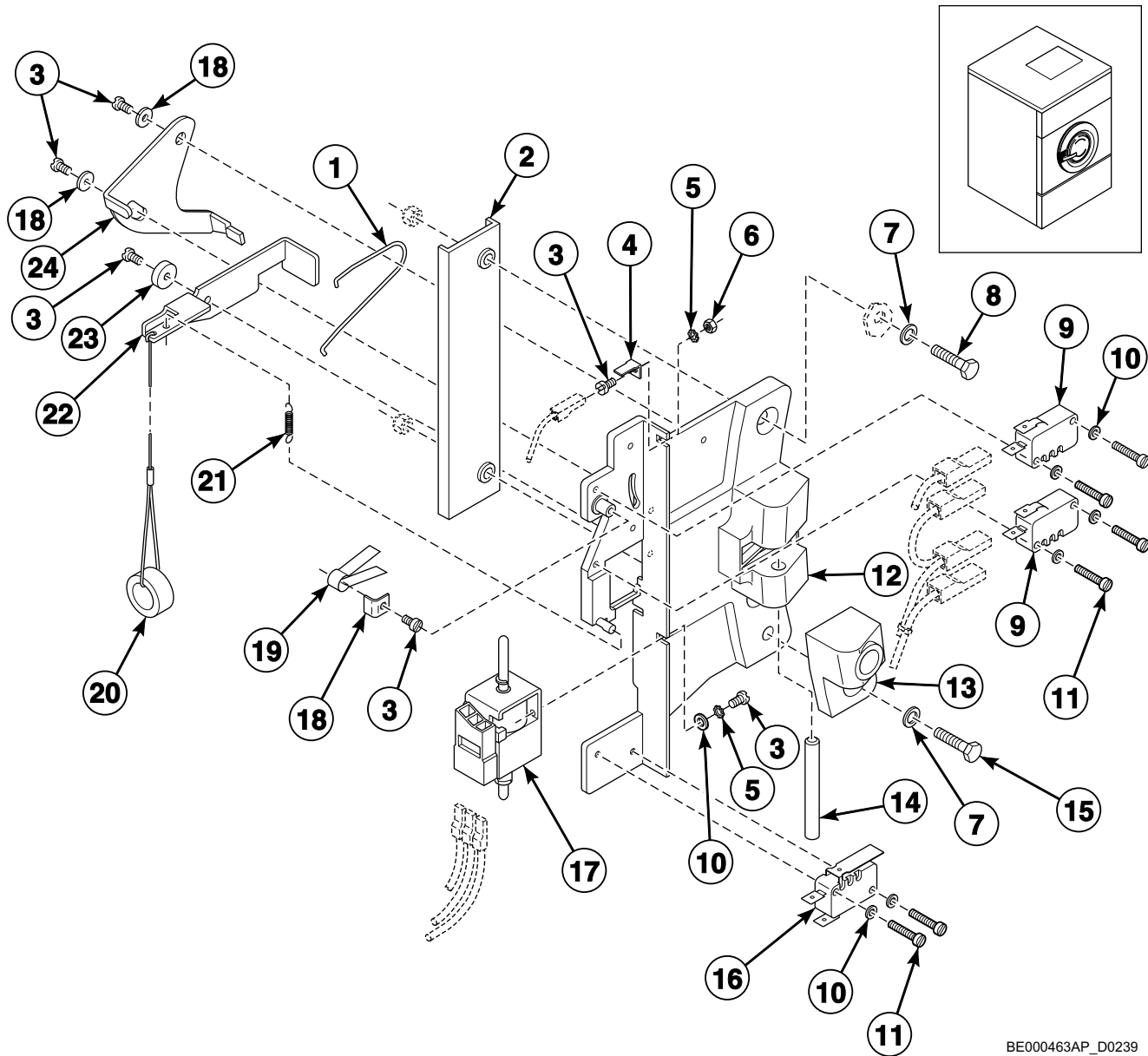


BE000494CP_D0239

Drain Plumbing with Pump

REF	PART NO.	DESCRIPTION	COMMENTS
1	223/00014/00	Hose Clamp	
2	223/00173/10	Pressure Switch Hose Tee	
3	223/00212/00	Pressure Switch Hose	
4	223/00035/02	Pressure Switch Cap	
5	255/00010/01	Tub to Drain Valve Hose	
6	223/00012/00	Hose Clamp	
7	155/00155/00	Drain Piece	
8	206/00105/00	Nut	
9	255/00019/00	Stopper	
10	206/00099/00	Bolt	
11	255/00017/00	Connecting Piece	
12	155/00159/00	Pump Support	
13	223/00011/00	Hose Clamp	
14	209/00560/00	Hanging Drain Pump	
15	223/00009/00	Clamp	
16	223/00159/00	Pipe	
17	223/00162/00	Stopper	
18	206/00101/00	Nut	
19	101/00007/00	Outlet Pipe Plate Assembly	
20	201/00007/00	Washer	
21	206/00033/00	Bolt	
22	223/00146/00	Drain Piece	
23	223/00157/01	Drain Pipe Kit	
24	223/00157/02	Drain Pipe Kit	

Door Lock

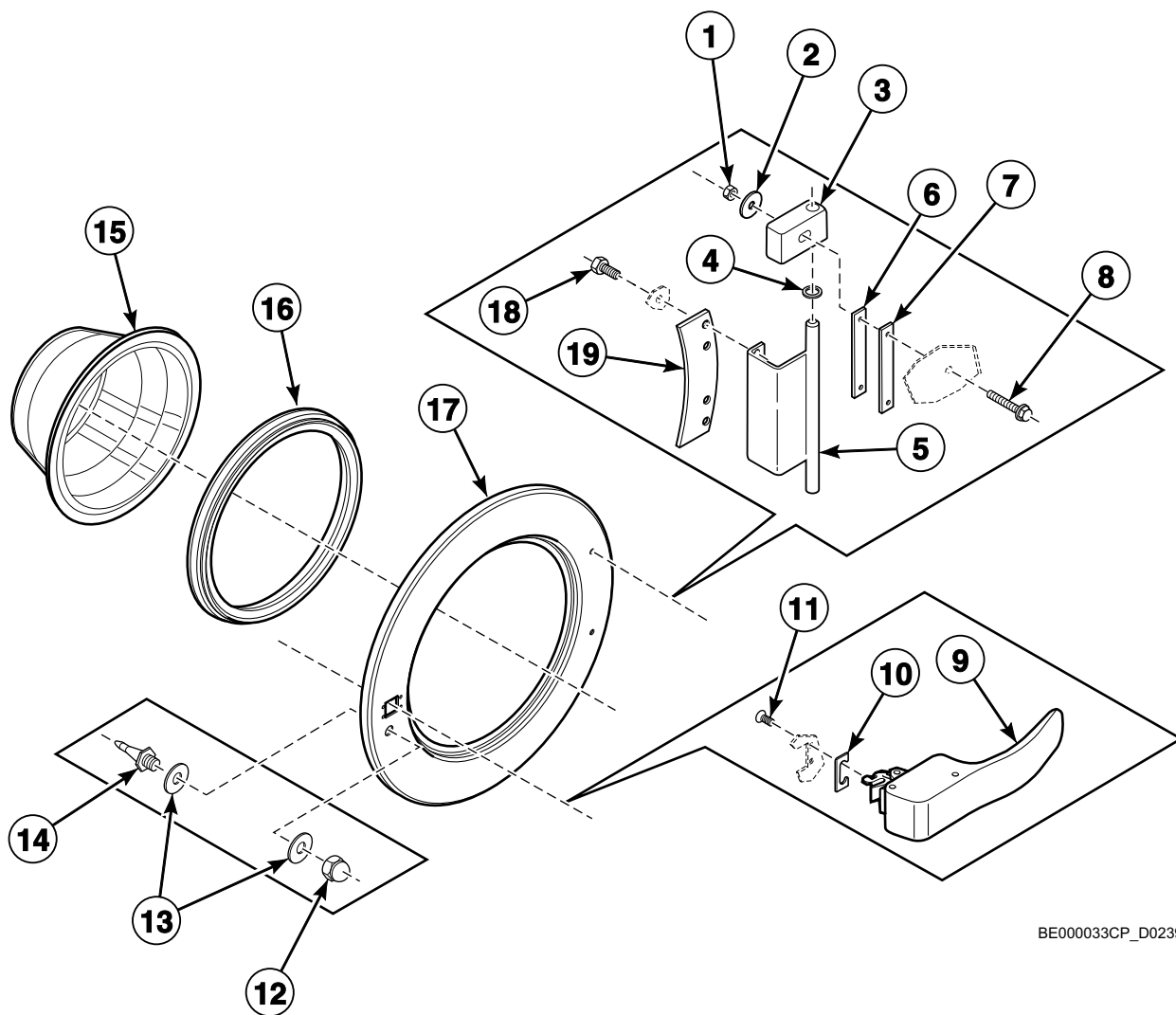


BE000463AP_D0239

Door Lock

REF	PART NO.	DESCRIPTION	COMMENTS
1	224/00040/00	Lever Spring	
2	155/00150/00	Plate Cover	
3	207/00135/00	Screw	
4	210/10015/00	Ground Terminal	
5	203/00007/00	Washer	
6	204/00008/00	Nut	
7	202/00101/00	Washer	
8	205/00105/00	Bolt	
9	209/00272/00	Door Lock Microswitch	
10	201/00018/00	Washer	
11	207/00009/00	Screw	
12	217/00052/01A	Door Lock Assembly	
13	217/00052/02	Door Lock Pin Kit	
14	217/00017/03	Lock Shaft	
15	205/00115/00	Bolt	
16	209/00273/00	Light Microswitch	
17	209/00274/00	Door Lock Solenoid	
18	201/00017/00	Washer	
19	224/00049/00	Door Lock Spring	
20	217/00052/07	Door Release Wire	
21	224/00043/00	Interlock Coil Spring	
22	217/00052/04	Interlock Lever	
23	217/00052/03	Door Lock Spacer	
24	217/00052/05	Switch Lever	

Door

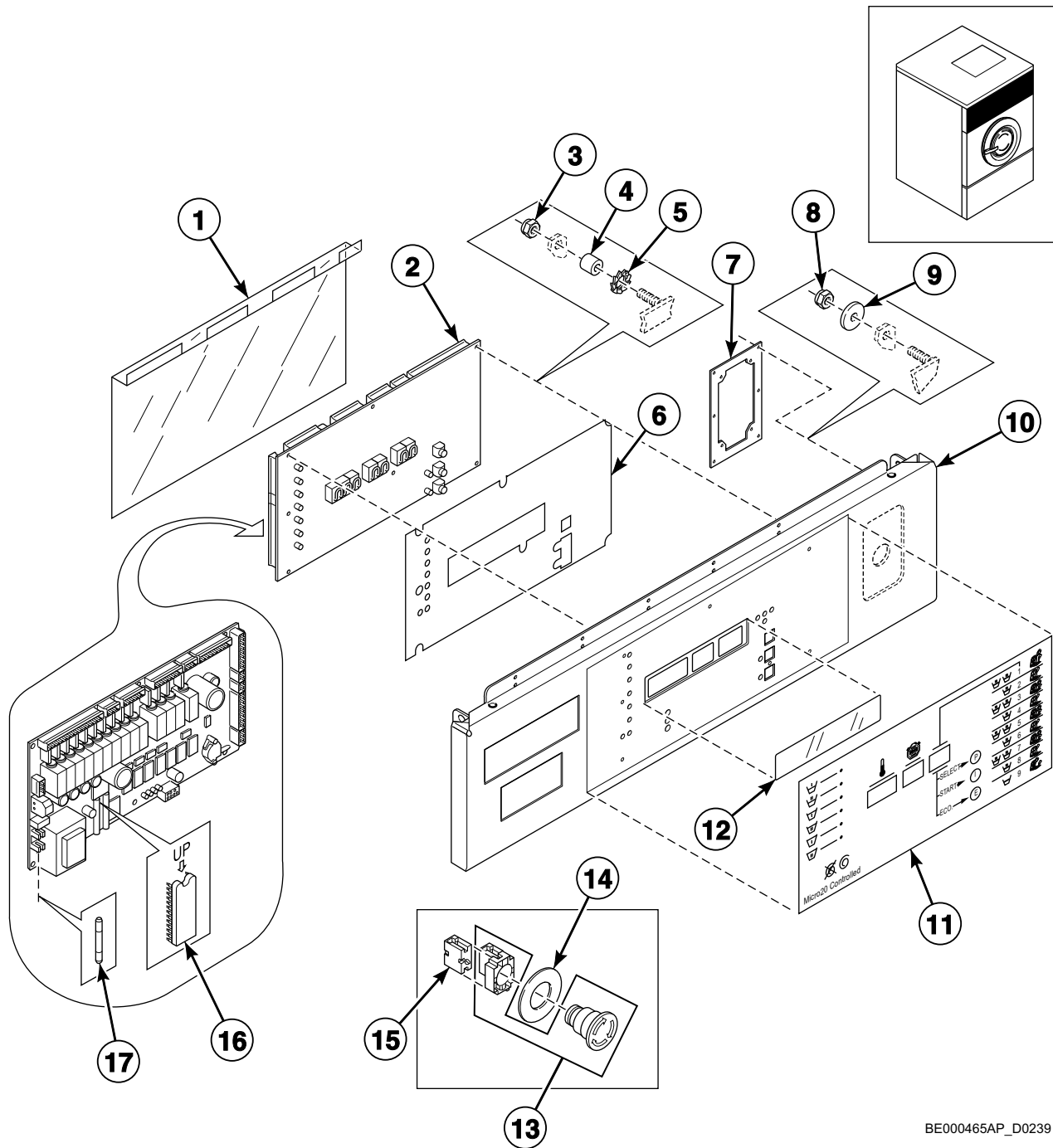


BE000033CP_D0239

Door

REF	PART NO.	DESCRIPTION	COMMENTS
1	204/00106/00	Nut	
2	202/00108/00	Washer	
3	217/00009/02	Door Hinge Assembly	
4	202/00104/00	Washer	
5	221/00005/00	Door Hinge	
6	117/00011/00	Door Hinge Spacer	2 mm
7	117/00010/00	Door Hinge Spacer	1 mm
8	207/00126/00	Screw	
	207/00125/00	Bolt	
9	217/00059/00	Door Handle	
10	217/00016/00	Door Handle Stop	
11	B12500801	Screw	
12	204/00103/00	Nut	
13	202/00111/00	Washer	
14	211/00109/01	Door Lock Pin Kit	
15	217/00022/00	Door Glass	
16	217/00015/00	Door Glass Seal	
17	155/00138/00	Door	
18	206/00146/00	Screw	
19	118/00065/00	Door Hinge Plate Assembly	

Control Panel - Micro-20

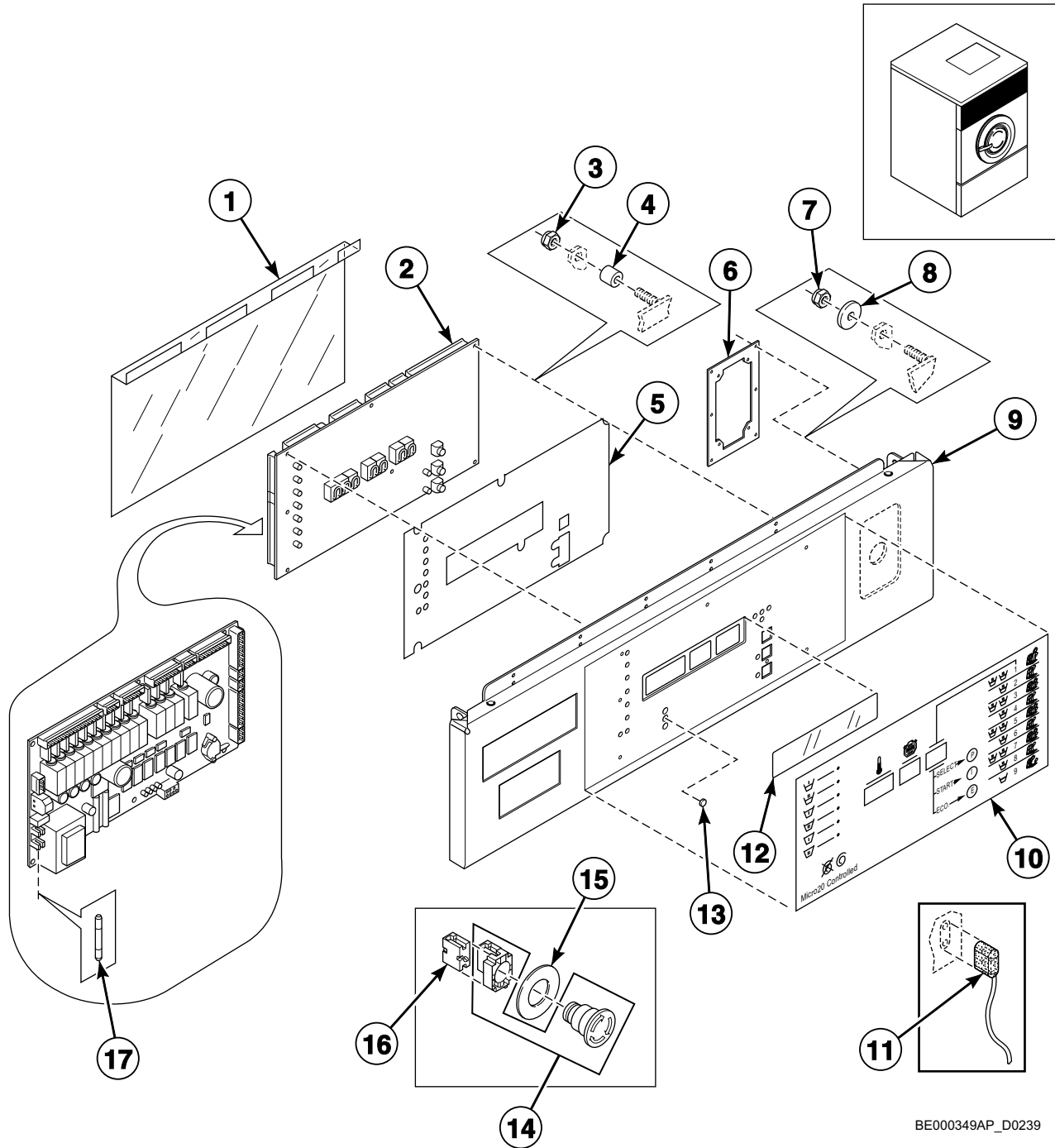


BE000465AP_D0239

Control Panel - Micro-20

REF	PART NO.	DESCRIPTION	COMMENTS
1	229/00262/00	Circuit Board Cover	
2	209/00440/70	Printboard	
3	204/00116/00	Nut	
4	211/00122/00	Standoff	
5	203/00006/00	Washer	
6	229/00255/00	Insulating Sticker	
7	111/00257/00	Coin Meter Plate	
8	204/00009/00	Nut	
9	201/00008/00	Washer	
10	111/01700/00	Upper Front Panel	Model HW55_MICRO-20_OPL
	111/01701/00	Front Panel	Model HW55_MICRO-20_COIN
11	225/00407/00	Keypad Sticker	Model HW55_MICRO-20_OPL
	225/00406/00	Operating Label	Model HW55_MICRO-20_COIN
	225/00408/00	Operating Sticker	Central payment models; Without temperature or ECO
12	225/00316/00	Plexi Frame	
13	209/00248/20	Mushroom Pushbutton	
14	209/00520/00	Telem Sticker	
15	209/00099/26	Contact Switch	
16	209/00266/01	Eprom	Standard software
17	209/00439/00	Fuse	500 mA

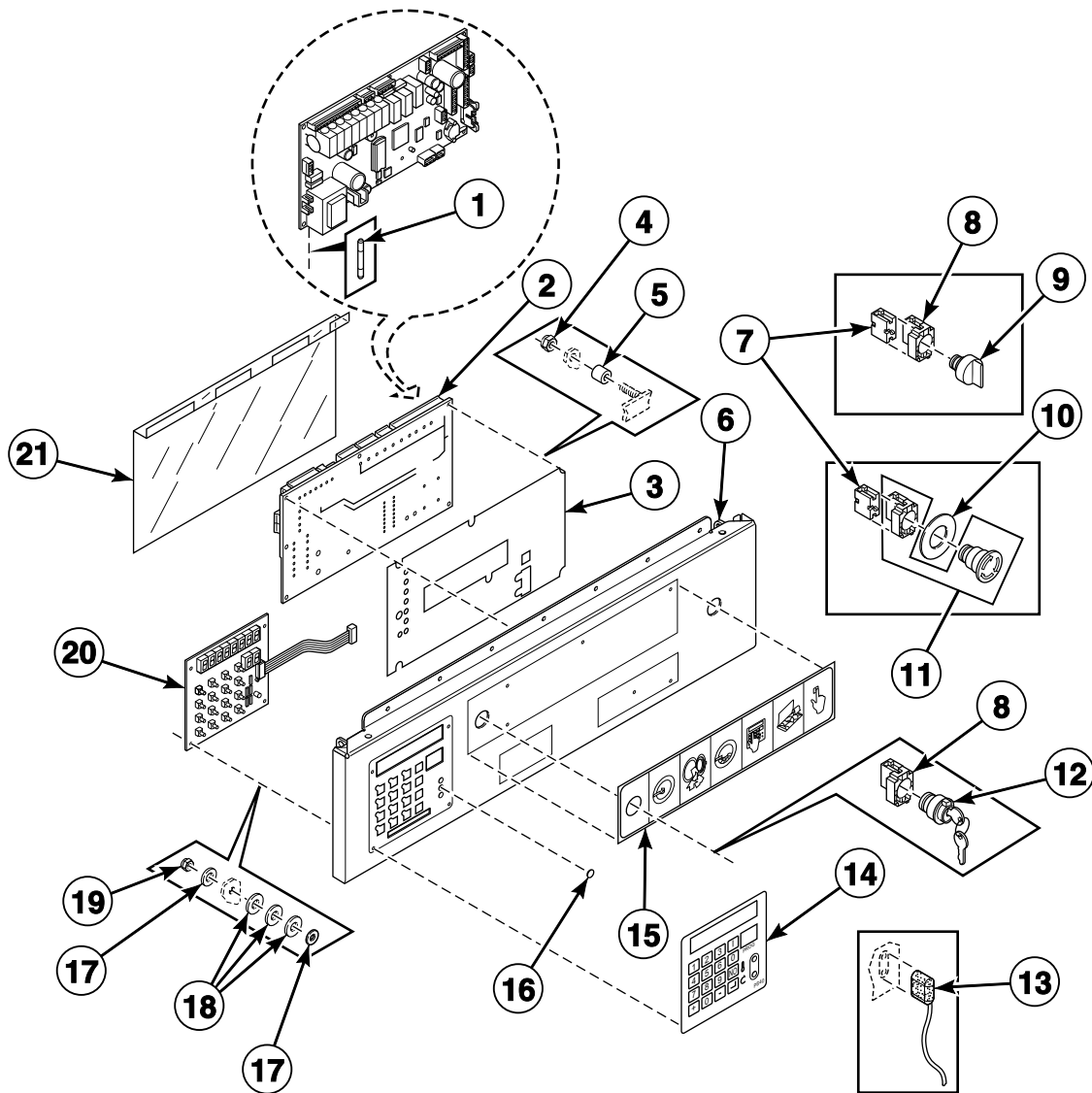
Control Panel - Sigma



Control Panel - Sigma

REF	PART NO.	DESCRIPTION	COMMENTS
1	229/00262/00	Circuit Board Cover	
2	209/00547/00	Control Board	
3	204/00114/00	Nut	
4	211/00122/00	Standoff	For printboards
5	229/00255/00	Insulating Sticker	
6	111/00257/00	Coin Meter Plate	
7	204/00009/00	Nut	
8	201/00008/00	Washer	
9	111/01700/00	Upper Front Panel	Model HW55_SIGMA_OPL
	111/01701/00	Front Panel	Model HW55_SIGMA_COIN
10	225/00404/00	Operating Sticker	Model HW55_SIGMA_OPL
	225/00403/00	Decal	Model HW55_SIGMA_COIN
	225/00405/00	Operating Sticker	Central payment models; Without temperature or ECO
11	210/00902/00	Infrared Cable	
12	225/00316/00	Plexi Frame	
13	202/00120/00	Metal Disc	
14	209/00248/20	Mushroom Pushbutton	
15	209/00520/00	Telem Sticker	
16	209/00099/26	Contact Switch	
17	209/00439/00	Fuse	500 mA

Control Panel - PS40F

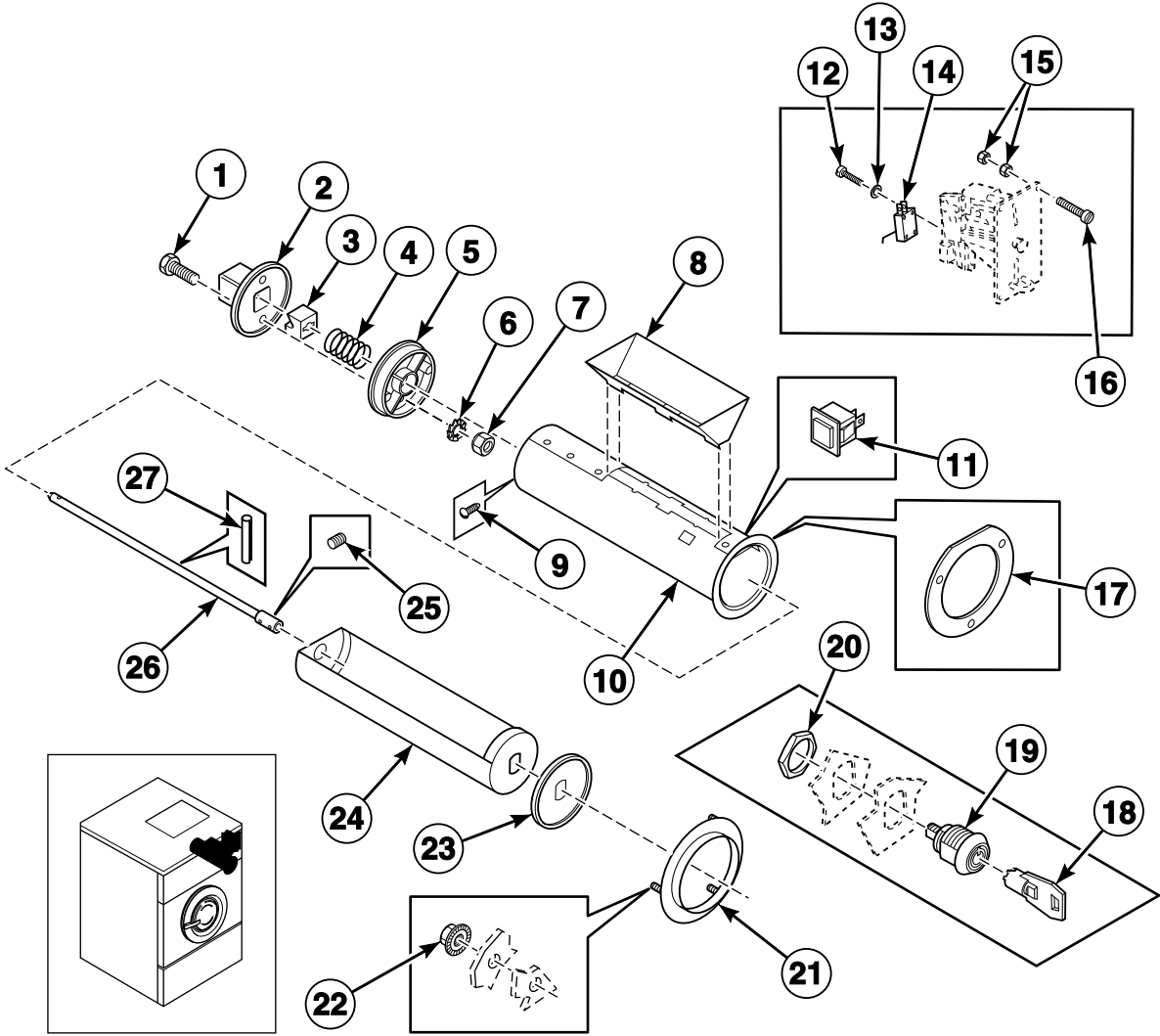


BE000558AP_D0239

Control Panel - PS40F

REF	PART NO.	DESCRIPTION	COMMENTS
1	209/00372/01	Fuse	
2	B12351701	Main Board	
3	229/00255/00	Insulating Sticker	
4	204/00116/00	Nut	
5	211/00122/00	Standoff	
6	111/01702/00	Front Panel	
7	209/00099/26	Contact Switch	
8	209/00099/25	Switch Base	
9	209/00099/29	Switch Knob	
10	209/00520/00	Telem Sticker	
11	209/00248/20	Mushroom Pushbutton	
12	209/00326/20	Programming Key Contact Switch	
13	210/00902/00	Infrared Cable	
14	225/00397/00	Label	
15	225/00400/00	Operating Sticker	
16	202/00120/00	Metal Disc	
17	223/00123/00	Washer	
18	223/00051/10	Washer	
19	204/00116/00	Nut	
20	209/00552/01	Keypad	
21	229/00262/00	Circuit Board Cover	

Coin Meter and Coin Vault (Drawing 1 of 2)

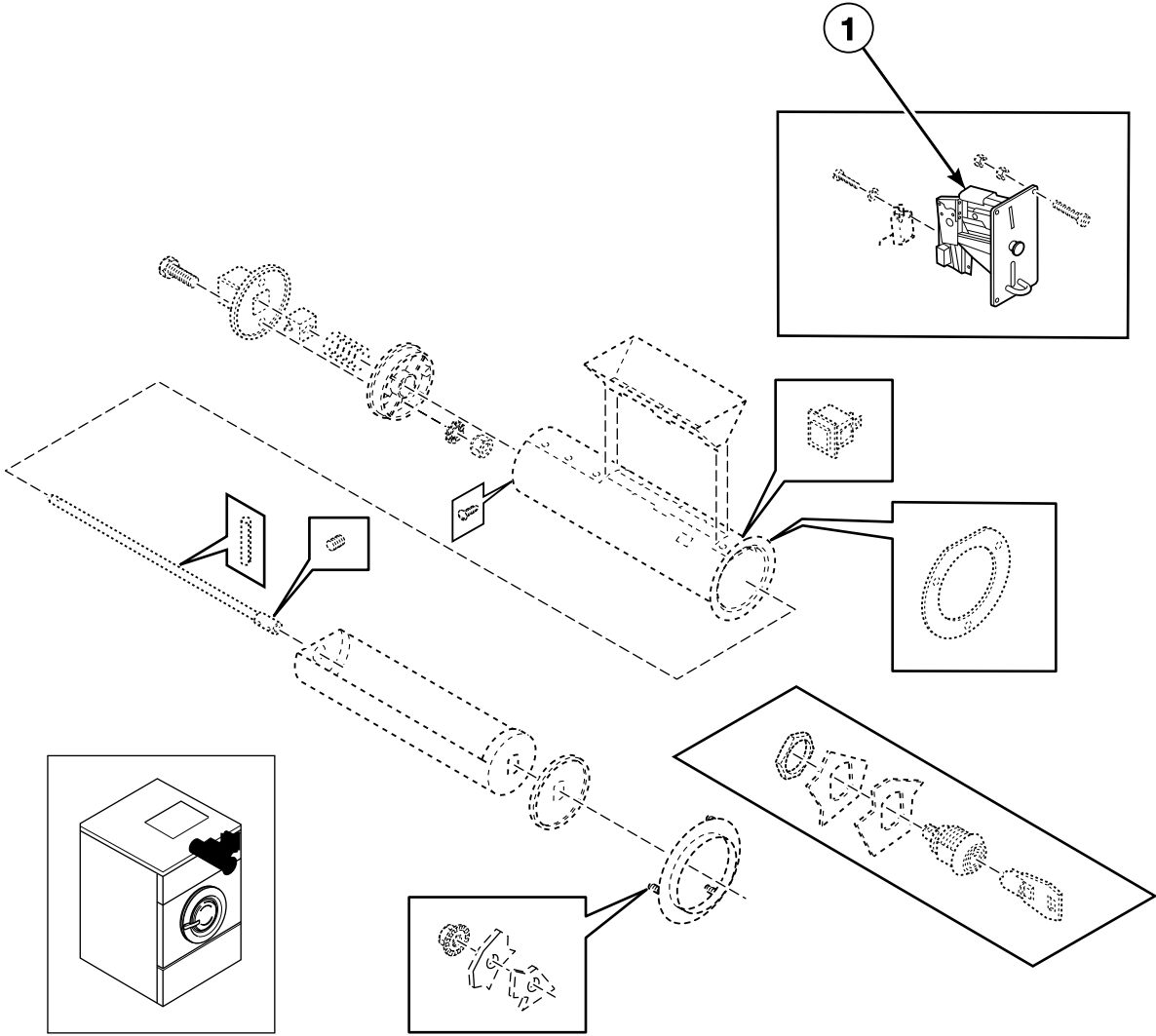


BE000042BP_D0239

Coin Meter and Coin Vault (Drawing 1 of 2)

REF	PART NO.	DESCRIPTION	COMMENTS
1	206/00033/00	Bolt	
2	211/00070/01	Outer Cabinet Lock	
3	211/00070/02	Washer	
4	211/00070/04	Spring	
5	211/00070/03	Inner Coin Box	
6	203/00004/00	Washer	
7	204/00005/00	Nut	
8	211/00071/00	Coin Box	
9	208/00007/00	Screw	
10	211/00100/00	Outer Coin Box	
11	209/00396/00	Pushbutton	
12	207/00009/00	Screw	
13	203/00007/00	Washer	
14	209/00060/12	Coin Drop Microswitch	
15	204/00116/00	Nut	
16	207/00108/00	Screw	
17	111/00100/00	Coin Box Ring Assembly	
18	211/00065/02	Coin Box Key	
19	211/00065/00	Coin Box Lock	
20	211/00065/01	Nut	
21	111/00066/00	Coin Box Ring	
22	206/00099/00	Bolt	
23	111/00068/00	Front Plate	
24	211/00101/00	Coin Box	
25	206/00038/00	Screw	
26	111/00069/00	Spindle	
27	208/00013/00	Roll Pin	

Coin Meter and Coin Vault (Drawing 2 of 2)

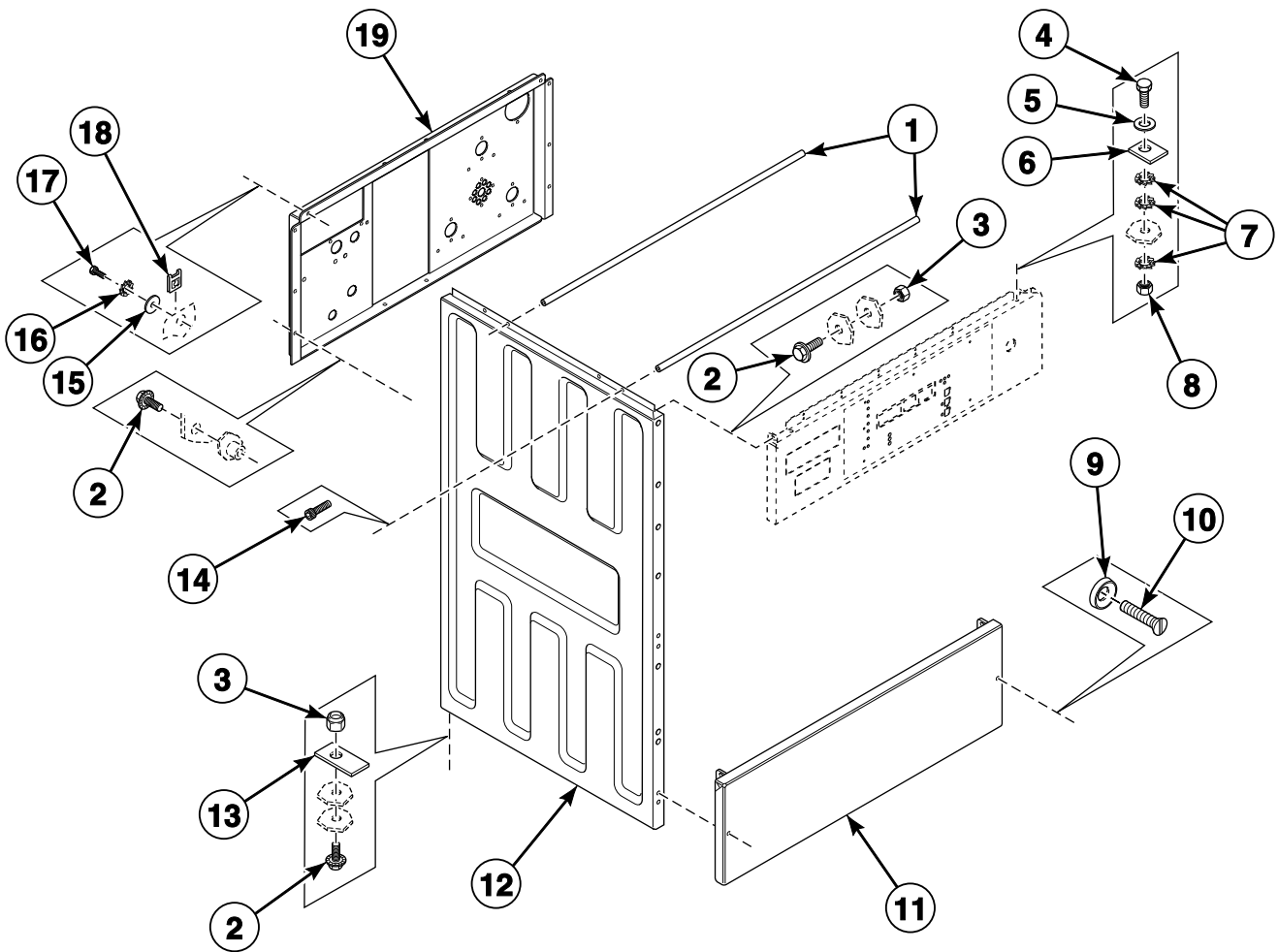


BE000042BPA_D0239

Coin Meter and Coin Vault (Drawing 2 of 2)

REF	PART NO.	DESCRIPTION	COMMENTS
1	209/00389/00	Coin Meter	Euro; .10
	209/00388/00	Coin Meter	Euro; .20
	209/00387/00	Coin Meter	Euro; .50
	209/00390/00	Coin Meter	Euro; 1.00
	209/00391/00	Coin Meter	Euro; 1.00 (LVN)
	209/00119/00	Coin Meter	Euro; .20 and .50
	209/00120/00	Coin Meter	Euro; 1.00 and .20
	209/00166/00	Coin Meter	Euro; 1.00 and .50
	209/00576/00	Coin Meter	Euro; 2.00 and .50
	209/00111/00	Coin Meter	\$.25
	209/00414/00	Coin Meter	Canada; .25 and 1.00
	209/00378/00	Coin Meter	Australia; 1.00 and 2.00
	209/00229/00	Coin Meter	Australia; 1.00 and .20
	209/00065/00	Coin Meter	Hong Kong; 1 dollar
	209/00418/00	Coin Meter	Malaysia; 1 dollar
	209/00364/00	Coin Meter	England; 1 pound and 20 pence
	209/00437/00	Coin Meter	South Africa; 1 rand and 2 rand
	209/00442/00	Coin Meter	Israel; 1 shekel and 5 shekel
	209/00375/00	Coin Meter	Singapore; 1 dollar
	209/00383/00	Coin Meter	New Zealand; 2 dollar and 1 dollar
	209/00500/00	Coin Meter	Morocco; 5 MDh and 10 MDh
	209/00404/00	Coin Meter	5 NoCr and 10 NoCr
	209/00402/08	Coin Meter	10 dek and 2 dek
	209/00460/00	Coin Meter	2 dek
	209/00064/00	Coin Meter	Australia; .20
	209/00415/00	Coin Meter	Hong Kong; 5 dollar
	209/00501/00	Coin Meter	Norway; 50 kronur and 100 kronur
	209/00402/01	Coin Meter	Token; .800
	209/00402/03	Coin Meter	Token; Coin meter token
	209/00502/00	Coin Meter	Token; Small Muller
	209/00402/04	Coin Meter	Token; Prinz; 28 x 2.7 mm
	209/00402/02	Coin Meter	Token; Prinz; 22.85 x 2.1 mm
	209/00407/00	Coin Meter	Token; Prinz 26 x 2.05 mm
	209/00469/00	Coin Meter	NRI; Electronic
	209/00216/00	Coin Meter	Japan; 100 yen
	209/00278/00	Coin Meter	Japan; 100 yen and 500 yen
	209/00373/00	Coin Meter	Korea; 500 won
	209/00522/00	Coin Meter	Trenner; Electronic
	209/00061/00	Coin Meter	Token; 7K
	209/00068/00	Coin Meter	Token; 10K
	209/00069/00	Coin Meter	Token; 12K
	209/00070/00	Coin Meter	Token; 15K
	209/00121/00	Coin Meter	Profiled token
	209/00161/00	Coin Meter	1 dek
	209/00158/00	Coin Meter	1 rial
	209/00160/00	Coin Meter	5 dek
	209/00269/00	Coin Meter	Korea; 100 won and 500 won
	209/00162/00	Coin Meter	Token; Vasketeria and 5 DK
	209/00066/00	Coin Meter	Token; Vasketeria and 2x1 DK
	209/00553/00	Coin Meter	USA; \$1.00 and \$.25
	209/00548/00	Coin Meter	100 pesetas and 25 pesetas

Left Side, Lower Front and Upper Back Panels

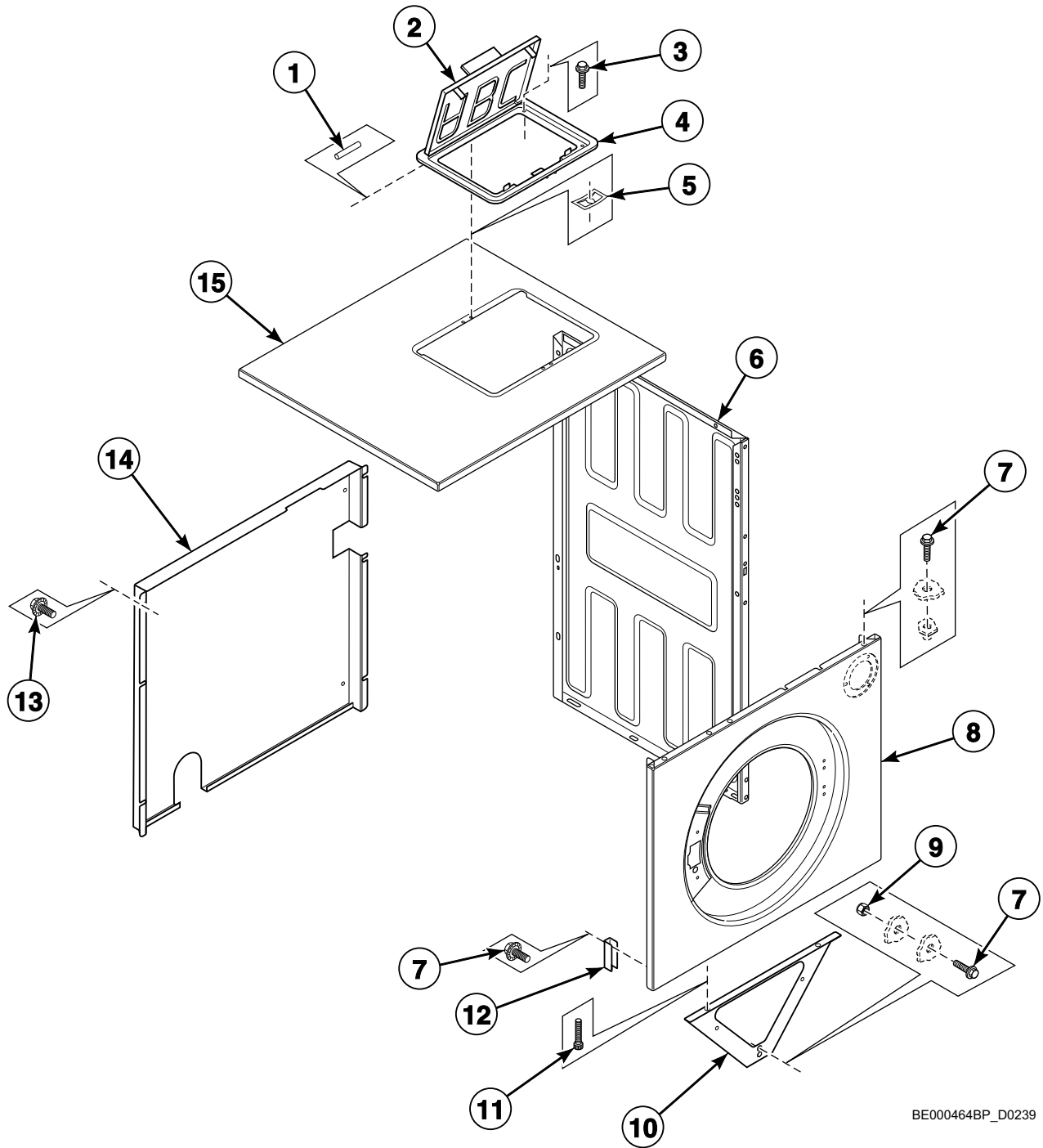


BE000468BP_D0239

Left Side, Lower Front and Upper Back Panels

REF	PART NO.	DESCRIPTION	COMMENTS
1	155/00145/00	Crossbar	
2	206/00099/00	Bolt	
3	206/00101/00	Nut	
4	205/00106/00	Bolt	
5	202/00003/00	Washer	
6	117/00042/00	Retaining Ring	
7	203/00005/00	Washer	
8	204/00006/00	Nut	
9	208/00009/00	Washer	
10	207/00101/00	Screw	
11	111/22131/00	Lower Front Panel	
12	155/00140/00	Side Panel	
13	101/00007/00	Outlet Pipe Plate Assembly	
14	206/00074/00	Screw	
15	201/00006/00	Washer	
16	203/00015/00	Washer	
17	208/00001/00	Screw	
18	208/00025/00	Nut	
19	111/10426/40	Backbridge	

Right Side, Front, Lower Rear and Top Panels

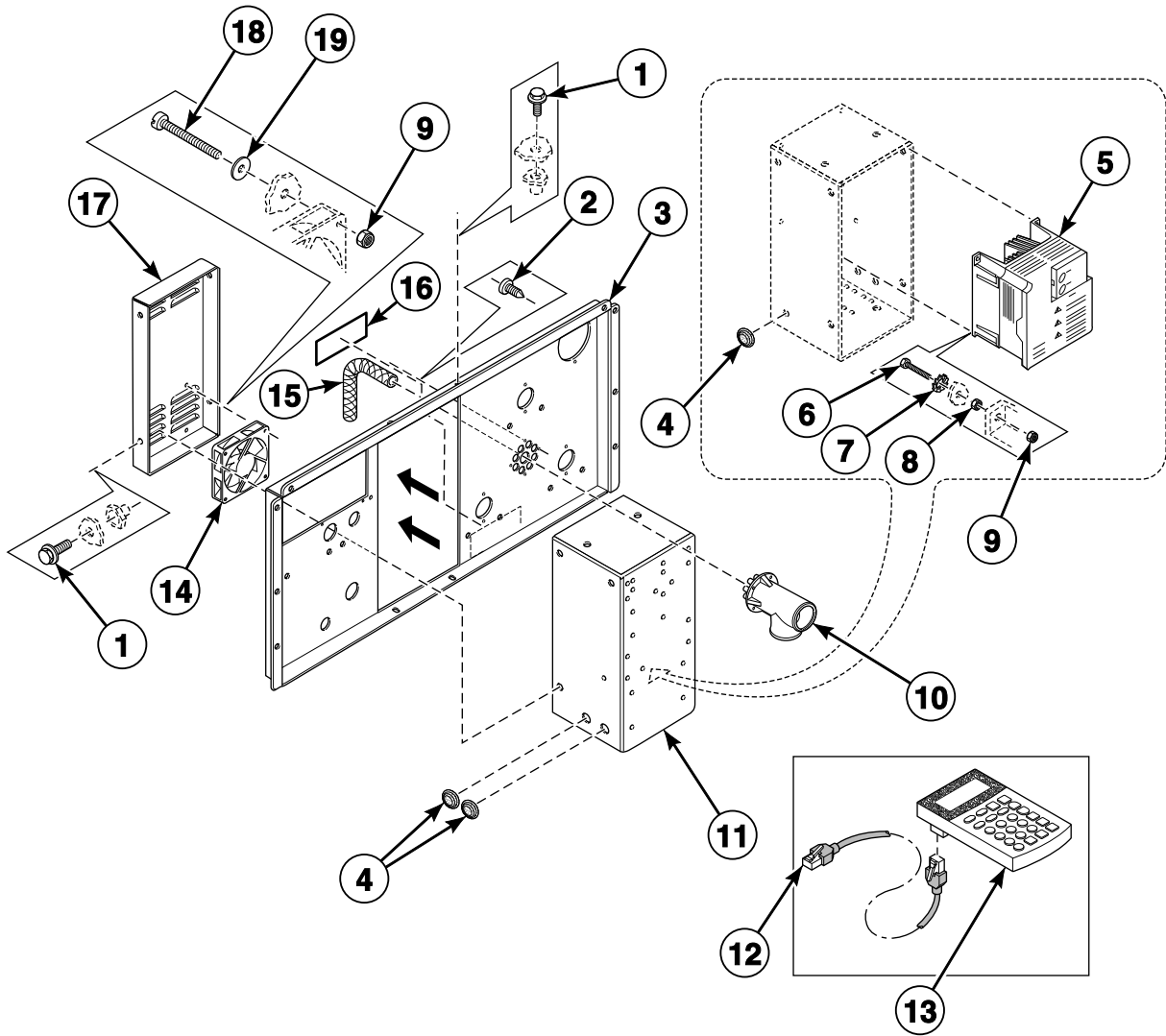


BE000464BP_D0239

Right Side, Front, Lower Rear and Top Panels

REF	PART NO.	DESCRIPTION	COMMENTS
1	223/00103/04	Soap Dispenser Cover Hinge Rod	2 required
2	223/00103/01	Soap Dispenser Cover	
3	207/00131/00	Bolt	
4	223/00103/03	Soap Dispenser Frame	
5	208/00104/00	Nut	
6	155/00140/00	Side Panel	
7	206/00099/00	Bolt	
8	111/10090/00	Lower Front Panel	Models HW55_MICRO-20_OPL, HW55_PS40F and HW55_SIGMA_OPL
	111/10088/00	Lower Front Panel	Models HW55_MICRO-20_COIN and HW55_SIGMA_COIN
9	204/00009/00	Nut	
10	155/00144/00	Reinforcing Triangle	
11	206/00074/00	Screw	
12	111/10089/01	Reinforcement Plate	
13	206/00086/00	Screw	
14	111/10427/01	Lower Rear Panel	
15	155/00142/00	Top Panel	

Inverter Drive

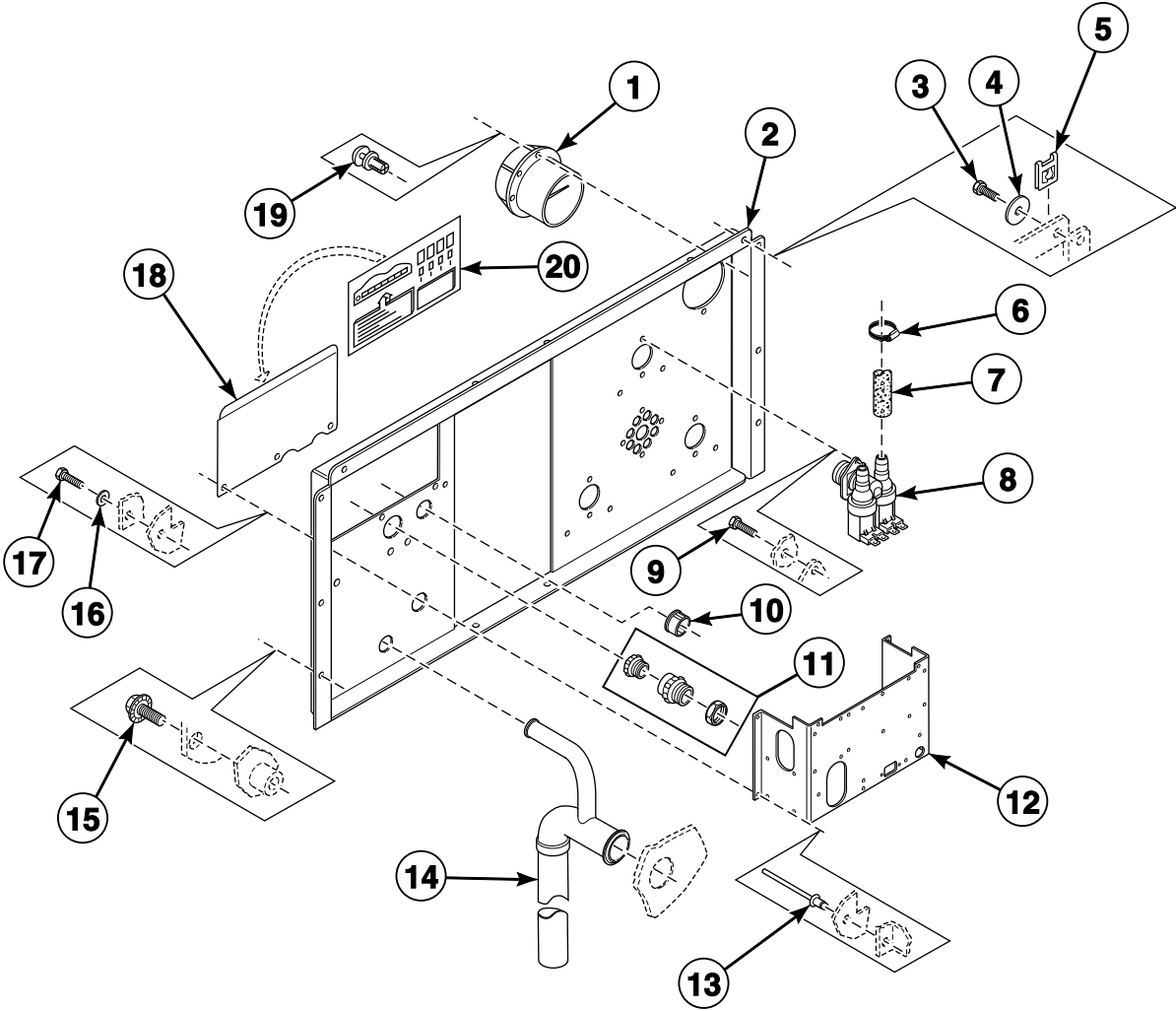


CFD484P_D0239

Inverter Drive

REF	PART NO.	DESCRIPTION	COMMENTS
1	206/00099/00	Bolt	
2	208/00130/00	Screw	
3	111/10426/40	Backbridge	
4	223/00174/00	Grommet	
5	227/00227/00	Inverter	500 series
	F8420601	Inverter Drive Kit	700 series; 200 Volt/1 Phase; Models with .55 kW motor; Includes F8420701 Drive, F8409501 Mounting Plate Assembly and F430903 Screw
	F8420701	Inverter Drive	700 series; 200 Volt/1 Phase; Models with .55 kW motor
6	206/00088/00	Bolt	
7	203/00006/00	Washer	
8	204/00007/00	Nut	
9	204/00114/00	Nut	
10	223/00250/00	Liquid Soap Manifold	
11	111/10425/00	Inverter Drive Box	
12	F8410901	Parameter Unit Assembly	Inverter mounted; Used with 500 series inverter drives
	227/00171/00	Parameter Unit Assembly	Hand held
13	227/00171/10	Parameter Unit Program Cable	
14	209/00465/00	Fan	
15	223/00179/10	Pressure Hose	
16	B12355001	Voltage Discharge Decal	
17	111/10425/01	Inverter Box Cover	
18	207/00121/00	Screw	
19	202/00004/00	Washer	

Upper Back Panel with Circular Ventilation

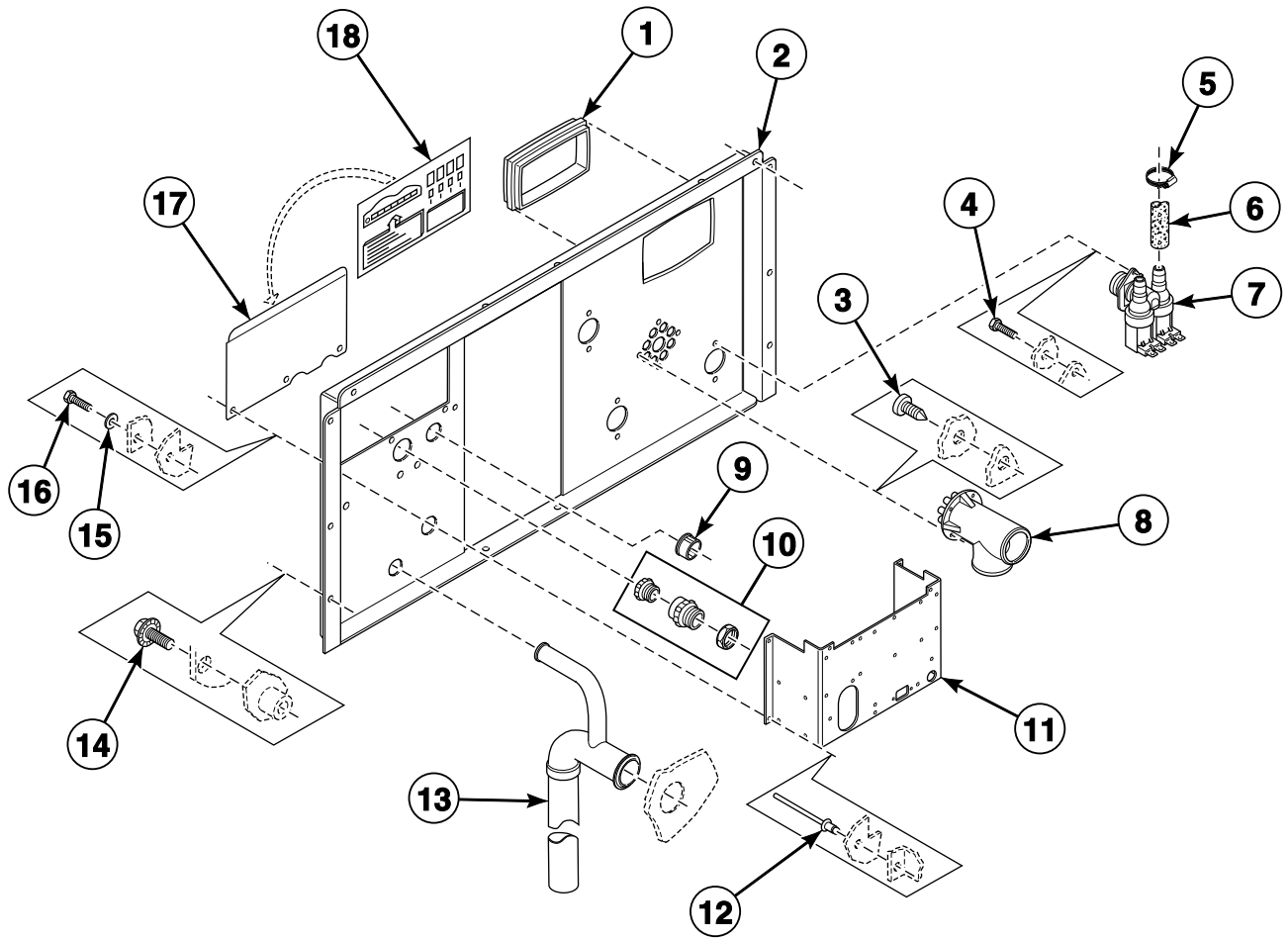


BE000577P_D0239

Upper Back Panel with Circular Ventilation

REF	PART NO.	DESCRIPTION	COMMENTS
1	223/00102/07	Hose Vent	
2	111/10426/40	Backbridge	
3	208/00001/00	Screw	
4	201/00006/00	Washer	
5	208/00002/00	Nut	
6	223/00010/00	Hose Clamp	
7	223/00044/01	Water Hose	13 mm diameter; Sold per meter
8	209/00110/00	2-Way Inlet Valve	Metric thread
	B12519501	2-Way Inlet Valve	Standard thread; G581P3 Diaphragm and Guide Kit
9	206/00027/00	Bolt	
10	211/00091/00	Plug	
11	211/00087/00	Plug	
12	111/00188/06	Electrical Connection Plate	
13	208/00017/00	Rivet	
14	223/00149/50	Overflow Hose	
15	206/00009/00	Bolt	
16	202/00004/00	Washer	
17	206/00014/00	Bolt	
18	111/00094/10	Electrical Connection Plate	
19	211/00093/00	Rivet	
20	229/00068/02	Electrical Connection Sticker	

Upper Back Panel with Rectangular Ventilation

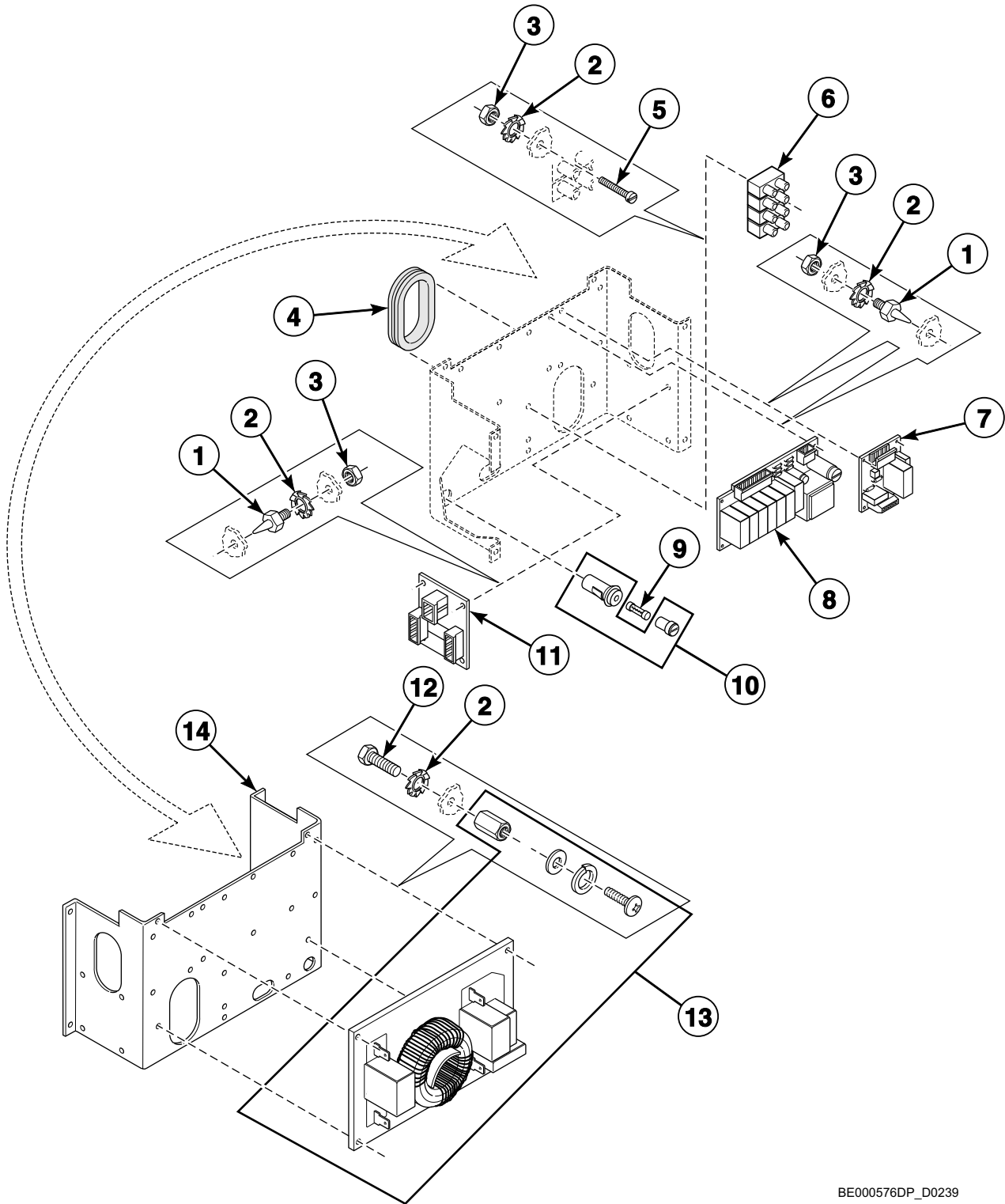


BE000578P_D0239

Upper Back Panel with Rectangular Ventilation

REF	PART NO.	DESCRIPTION	COMMENTS
1	223/00226/00	Vent Tube	
2	111/10426/70	Backbridge	
3	208/00130/00	Screw	
4	206/00027/00	Bolt	
5	223/00010/00	Hose Clamp	
6	223/00044/01	Water Hose	13 mm diameter; Sold per meter
7	209/00110/00	2-Way Inlet Valve	Metric thread
	B12519501	2-Way Inlet Valve	Standard thread; G581P3 Diaphragm and Guide Kit
8	223/00250/00	Liquid Soap Manifold	
9	211/00091/00	Plug	
10	211/00087/00	Plug	
11	111/00188/06	Electrical Connection Plate	
12	208/00017/00	Rivet	
13	223/00149/50	Overflow Hose	
14	206/00099/00	Bolt	
15	202/00004/00	Washer	
16	206/00014/00	Bolt	
17	111/00094/10	Electrical Connection Plate	
18	229/00068/02	Electrical Connection Sticker	

Noise Filter, Central Operating Panel Printboard and Soap Injection Printboard

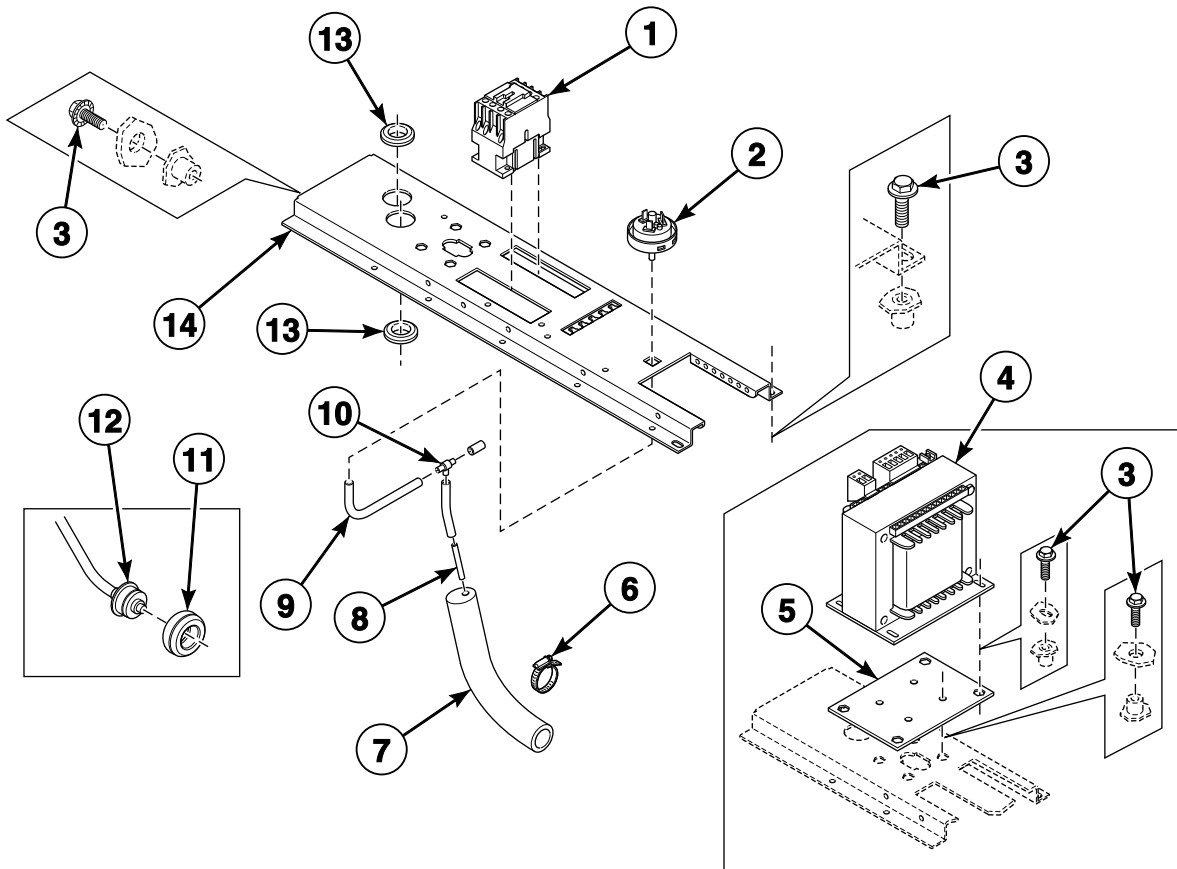


BE000576DP_D0239

Noise Filter, Central Operating Panel Printboard and Soap Injection Printboard

REF	PART NO.	DESCRIPTION	COMMENTS
1	211/00120/00	Standoff	
2	203/00006/00	Washer	
3	204/00007/00	Nut	
4	223/00203/00	Grommet	
5	207/00031/00	Screw	
6	209/00058/00	Terminal Block	
7	209/00438/50	Central Control Board	
8	209/00218/13	Soap Injection PCB with Fuse	
9	209/00468/00	Fuse	
10	209/00202/00	Fuse Holder	
11	209/00540/00	Network Connection Printboard	
12	206/00027/00	Bolt	
13	227/00177/00	Filter	B0301044/16A1
	227/00242/00	Noise Filter	B0211098/16A3
	227/00179/00	Filter	B0211067/40A3
	227/00180/00	Filter	B0308117/45A1
14	111/00188/06	Electrical Connection Plate	

Electrical Component Mounting Plate

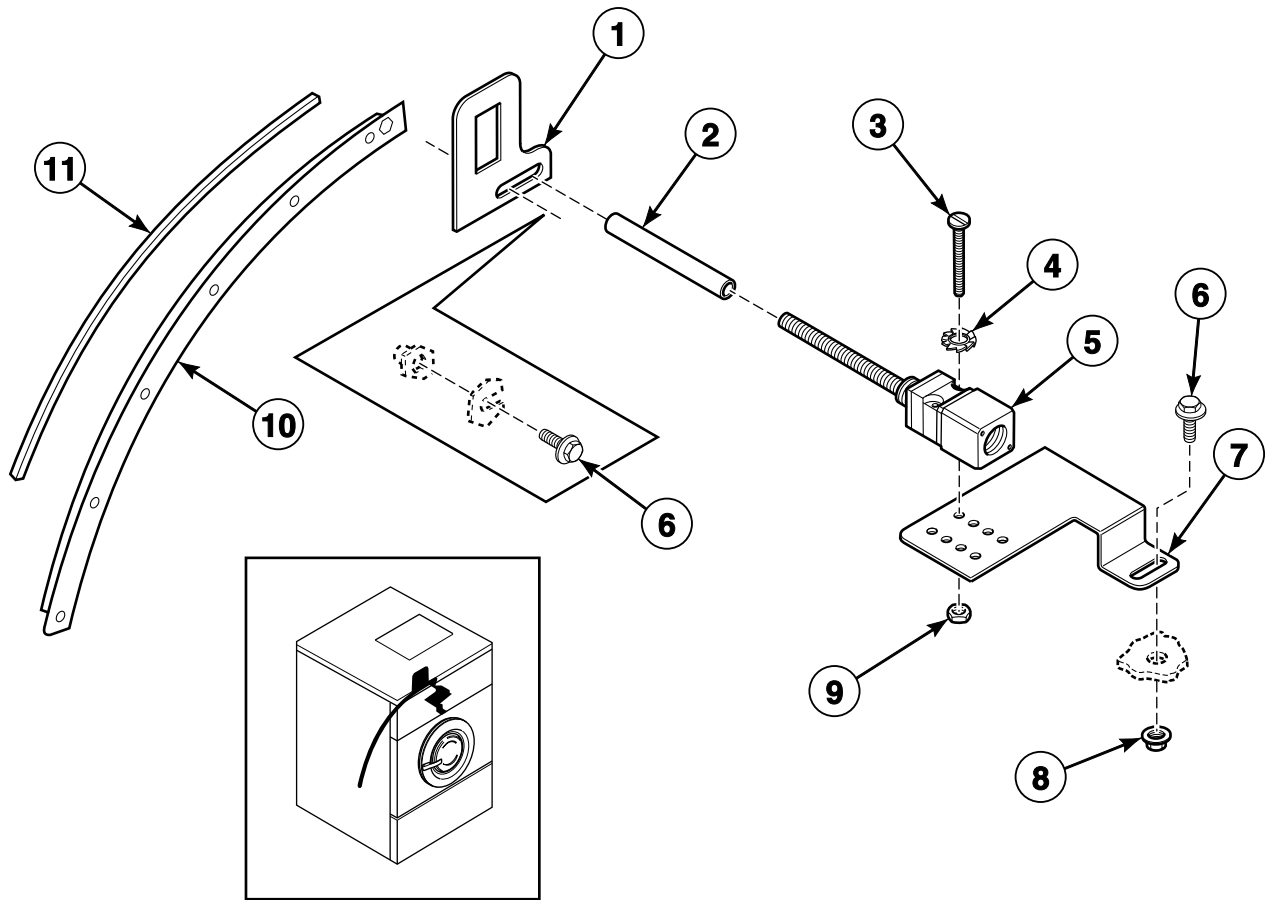


BE000495AP_D0239

Electrical Component Mounting Plate

REF	PART NO.	DESCRIPTION	COMMENTS
1	209/00041/04	Contactator	
2	209/00007/80	Water Level Switch	
3	206/00099/00	Bolt	
4	209/00478/00	Transformer	
5	155/00154/00	Transformer Mounting Plate	
6	223/00011/00	Hose Clamp	
7	223/00210/00	Pressure Switch Elbow	
8	223/00016/00	Hose Barb	
9	223/00212/00	Pressure Switch Hose	
10	223/00173/10	Pressure Switch Hose Tee	
11	225/10004/00	Thermostat Seal	
12	209/00309/02	Thermostat Assembly	
13	223/00198/00	Grommet	
14	155/00160/00	Electrical Mounting Plate	

Balance Switch



BE000488AP_D0239

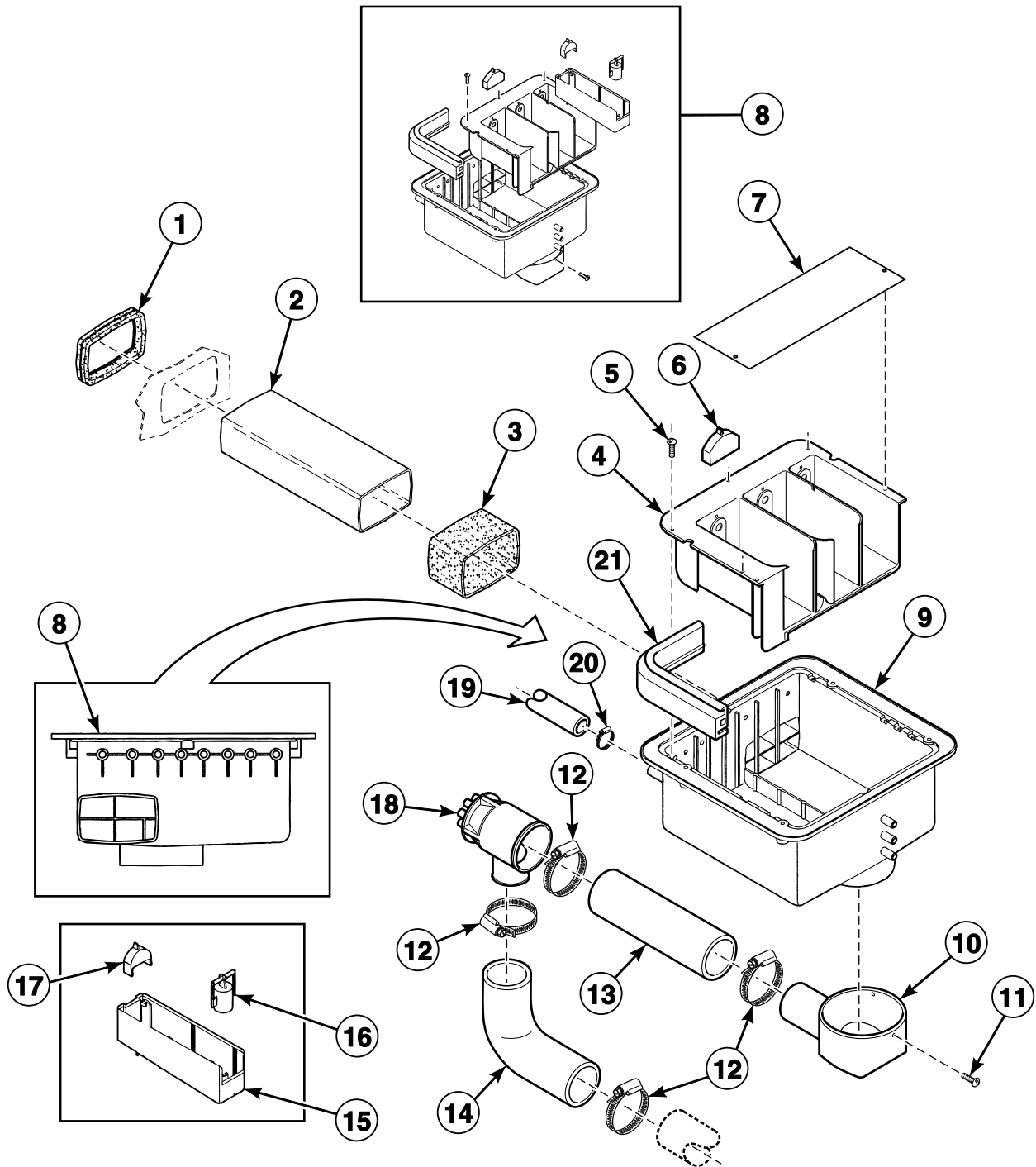
Balance Switch

REF	PART NO.	DESCRIPTION	COMMENTS
1	155/00135/01	Tilt Detector Plate	
2	223/00246/00	Out-of-Balance Switch Boot	
3	207/00018/00	Screw	
4	203/00006/00	Washer	
5	209/00255/00	Out-of-Balance Switch	
6	204/00007/00	Nut	
7	111/00107/01	Tilt Switch Bracket	
8	206/00105/00	Nut	
9	206/00099/00	Bolt	
10	155/00135/00	Tilt Detector Plate	
11	211/00142/00	Protection Strip	

Supply Dispenser with Round Ventilation Opening

REF	PART NO.	DESCRIPTION	COMMENTS
1	223/00014/00	Hose Clamp	
2	223/00107/03	Vent Hose	
3	223/00044/01	Water Hose	13 mm diameter; Sold per meter
4	223/00109/00	Soap Dispenser Gasket	
5	B12347501	Screw	
6	223/00102/06	Soap Spray Nozzle	
7	123/00107/00	Anti-Splash Plate	Models HW55_SIGMA_COIN and HW55_SIGMA_OPL
	123/00103/06	Soap Box Assembly Plate	Models HW55_MICRO-20_COIN, HW55_MICRO-20_OPL and HW55_PS40F
8	223/00102/30	Soap Dispenser Assembly	
9	223/00195/00	Dispenser Drain Funnel	
10	B12350903	Screw	
11	223/00102/50	Soap Dispenser Assembly	
12	223/00102/08	Liquid Soap Dispenser Insert	
13	223/00102/04	Soap Dispenser Rinse Siphon	
14	223/00102/03	Rinse Insert	
15	223/00102/05	Softener Spray Nozzle	
16	223/00265/00	Siphon Break Hose	
17	223/00013/00	Hose Clamp	
18	223/00260/00	Siphon Break Dispenser Hose	
19	223/00250/00	Liquid Soap Manifold	
20	223/00010/00	Hose Clamp	

Supply Dispenser with Rectangular Ventilation Opening

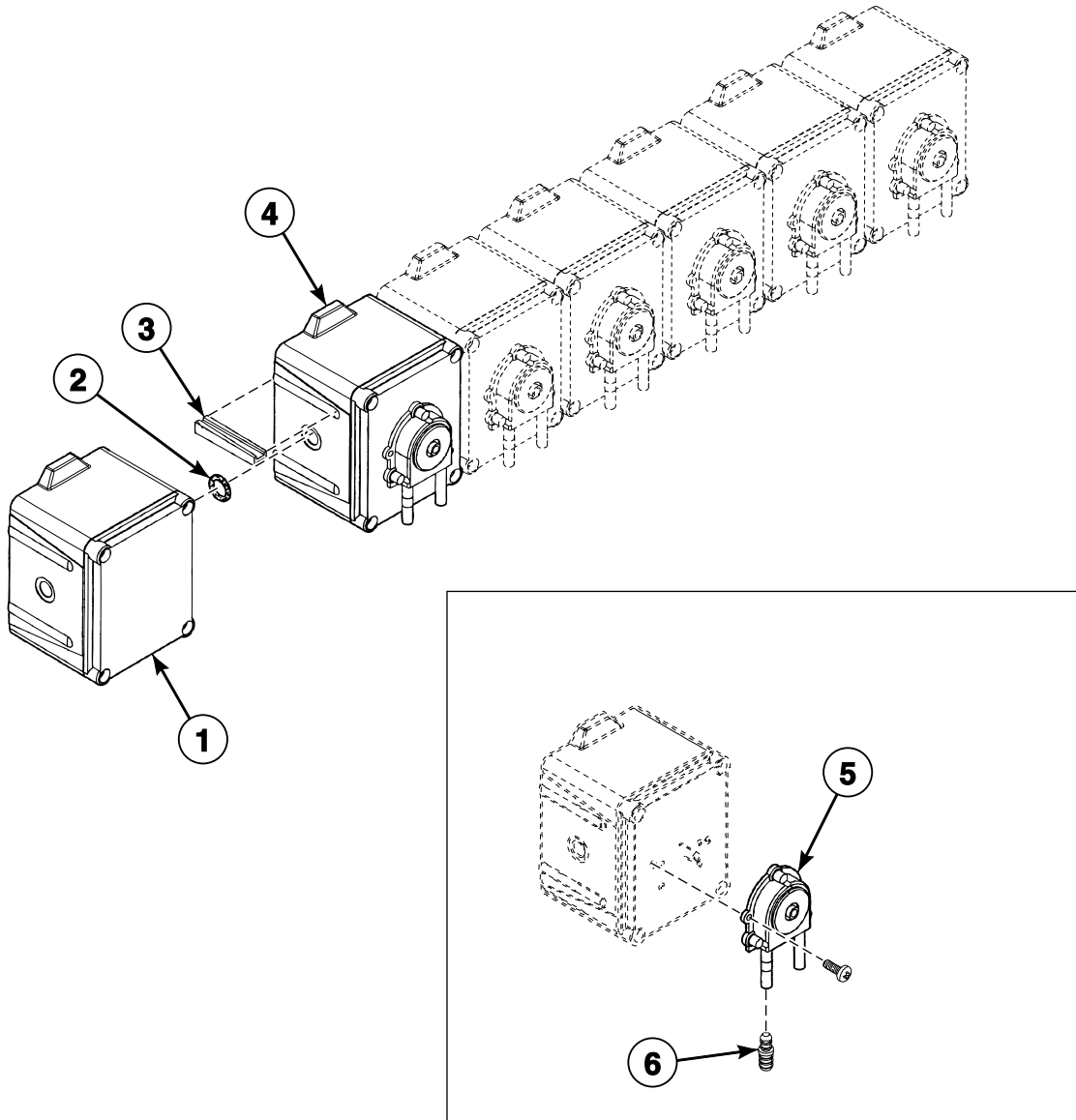


CFD331P_D0239

Supply Dispenser with Rectangular Ventilation Opening

REF	PART NO.	DESCRIPTION	COMMENTS
1	223/00226/00	Vent Tube	
2	223/00229/00	Vent Tube	
3	223/00245/00	Shrink Fit	
4	223/00222/60	Outer and Inner Box Kit	
5	B12347501	Screw	
6	223/00102/06	Soap Spray Nozzle	
7	123/00107/00	Anti-Splash Plate	Models HW55_SIGMA_COIN and HW55_SIGMA_OPL
	123/00103/06	Soap Box Assembly Plate	Models HW55_MICRO-20_COIN, HW55_MICRO-20_OPL and HW55_PS40F
8	223/00222/00	Soap Dispenser	
9	223/00222/01	Exterior Box	
10	223/00195/00	Dispenser Drain Funnel	
11	B12350903	Screw	
12	223/00013/00	Hose Clamp	
13	223/00260/00	Siphon Break Dispenser Hose	
14	223/00265/00	Siphon Break Hose	
15	223/00222/05	Rinsing Box	
16	223/00222/04	Siphon Break	
17	223/00222/03	Softener Spray Nozzle	
18	223/00250/00	Liquid Soap Manifold	
19	223/00044/00	Water Hose	13 mm diameter; Sold per meter
20	223/00010/00	Hose Clamp	
21	223/00109/00	Soap Dispenser Gasket	

Soap Pumps



BE000527AP_D0239

Soap Pumps

REF	PART NO.	DESCRIPTION	COMMENTS
1	209/00554/01	Soap Pump Assembly	1 pump and 1 feeding pump
	209/00554/02	Soap Pump Assembly	2 pumps and 1 feeding pump
	209/00554/03	Soap Pump Assembly	3 pumps and 1 feeding pump
	209/00554/04	Soap Pump Assembly	4 pumps and 1 feeding pump
	209/00554/05	Soap Pump Assembly	5 pumps and 1 feeding pump
	209/00554/06	Soap Pump Assembly	6 pumps and 1 feeding pump
	209/00554/51	Feeding Liquid Soap Dosing Pump	
2	209/00554/52	Liquid Soap Dosing Pump O-Ring	
3	209/00554/53	Liquid Soap Dosing Pump Connection Piece	
4	209/00554/50	Pump	
5	209/00554/98	Hose	
6	209/00554/99	Hose Connector	