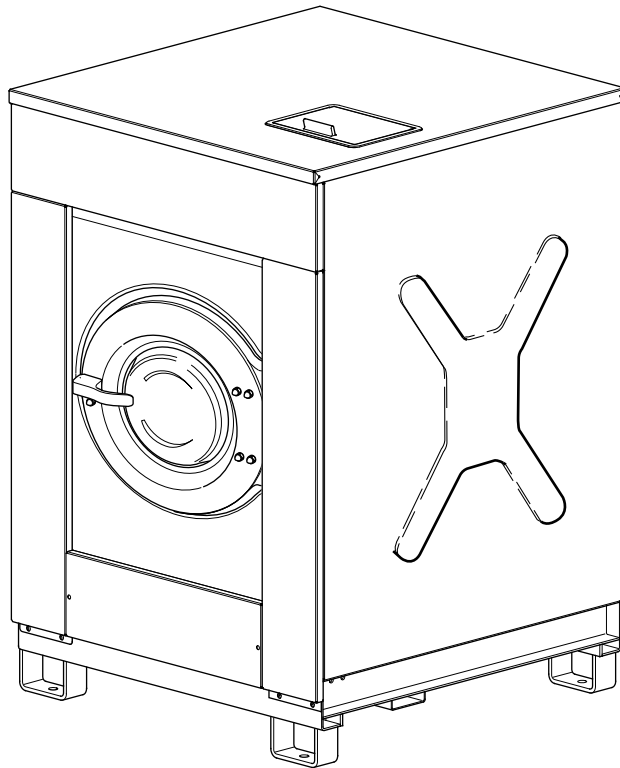


Washer-Extractor

Refer to Page 3 for Model Numbers



CFD22C_D1125

Model Identification



Information in this manual is applicable to these washer-extractor models:

HF65_CAM-TIMER
HF65_CYGNUS-PRO
HF65_MICRO-20_COIN
HF65_MICRO-20_OPL
HF65_PC30
HF65_PS40
HF65_PS40F
HF65_SIGMA_COIN
HF65_SIGMA_OPL

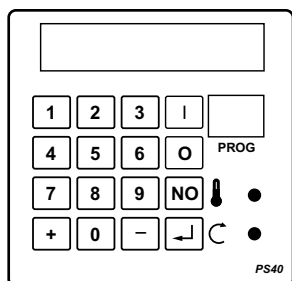
HF76_CAM-TIMER
HF76_MICRO-20_COIN
HF76_MICRO-20_OPL
HF76_PC30
HF76_PS40
HF76_PS40F
HF76_SIGMA_COIN
HF76_SIGMA_OPL

HF95_CAM-TIMER
HF95_MICRO-20_COIN
HF95_MICRO-20_OPL
HF95_PC30
HF95_PS40
HF95_PS40F
HF95_SIGMA_COIN
HF95_SIGMA_OPL

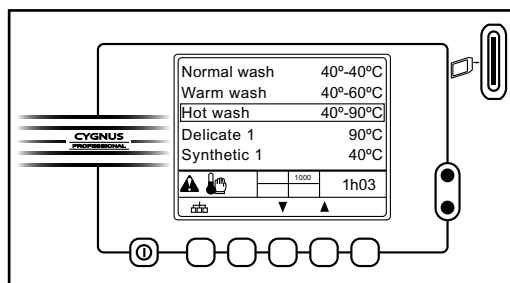
Cabinet Freestanding Washer-Extractor Product Overview

Type:	HF 65P	Nr:	07110580147
Voltage:	3 ~ 380V 50Hz	Weight:	1787 kg
Motor:	7.5 kW 20 A	Capacity:	575 L
Heating:	36 kW 60 A	Dry Load:	57 kg
Total:	43.50 kW	Drum:	980 mm
Kinetic energy:	23257N/M	Speed:	800 rpm
Manufactured in:	2007		
Water Pressure: min. 2.07 max. 5.86 Kg/cm ² IPX4 min. 20.7 max. 58.6 N/cm ²			
sfc 741295			
 Alliance International BVBA Nieuwstraat 146 8560 Wevelgem Belgium Tel: +32 56 41 20 54 Fax: +32 56 41 86 74 www.ipso.be			

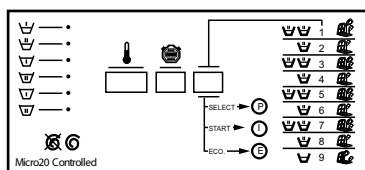
Label 1



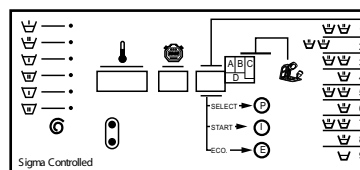
PS40



Cygnus Professional



Micro 20



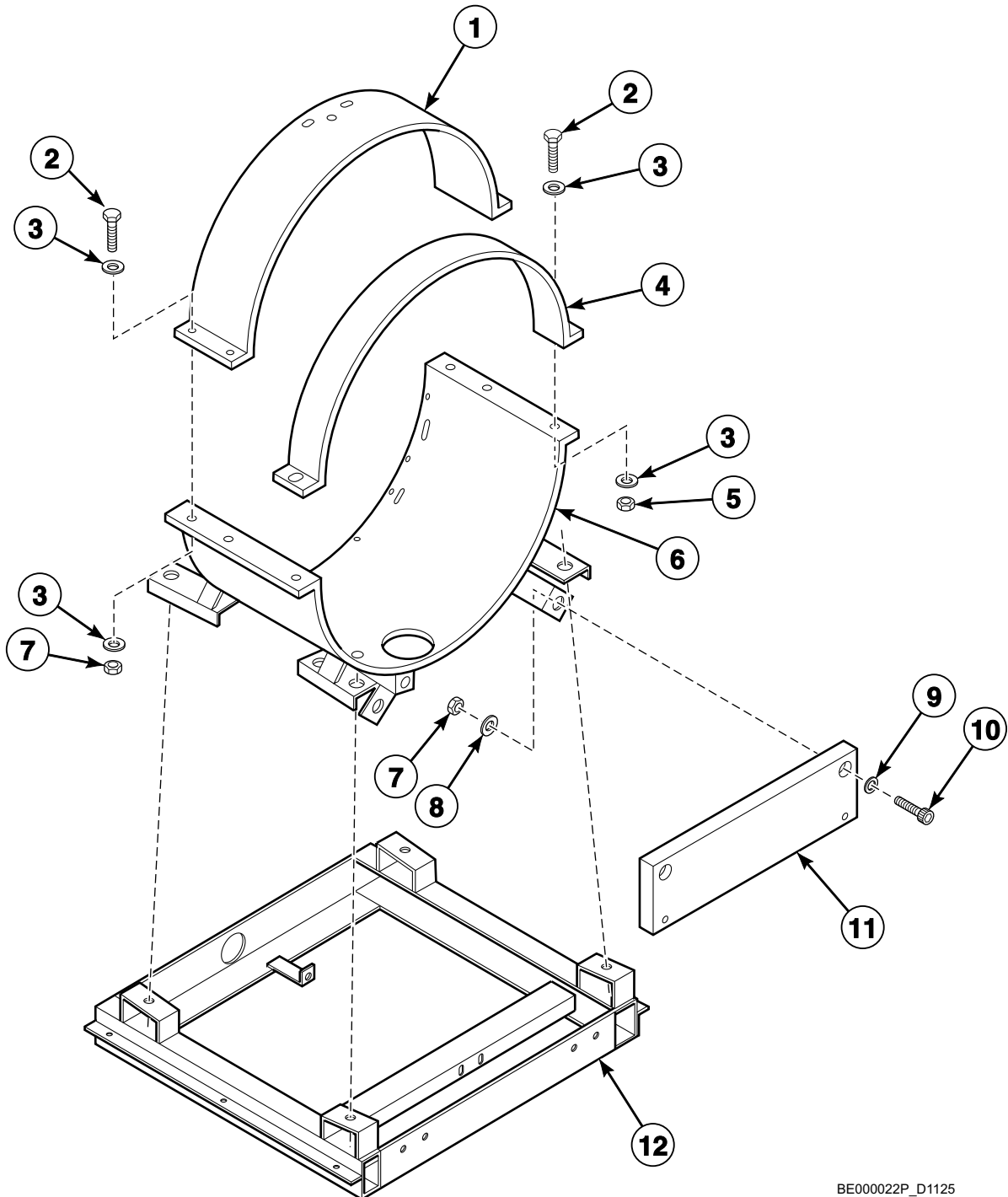
Sigma

CFD301P_D1125

Cabinet Freestanding Washer-Extractor Product Overview

REF	PART NO.	DESCRIPTION	COMMENTS
1	-	Product Family	HF
2	-	Capacity	65 76 95

Frame

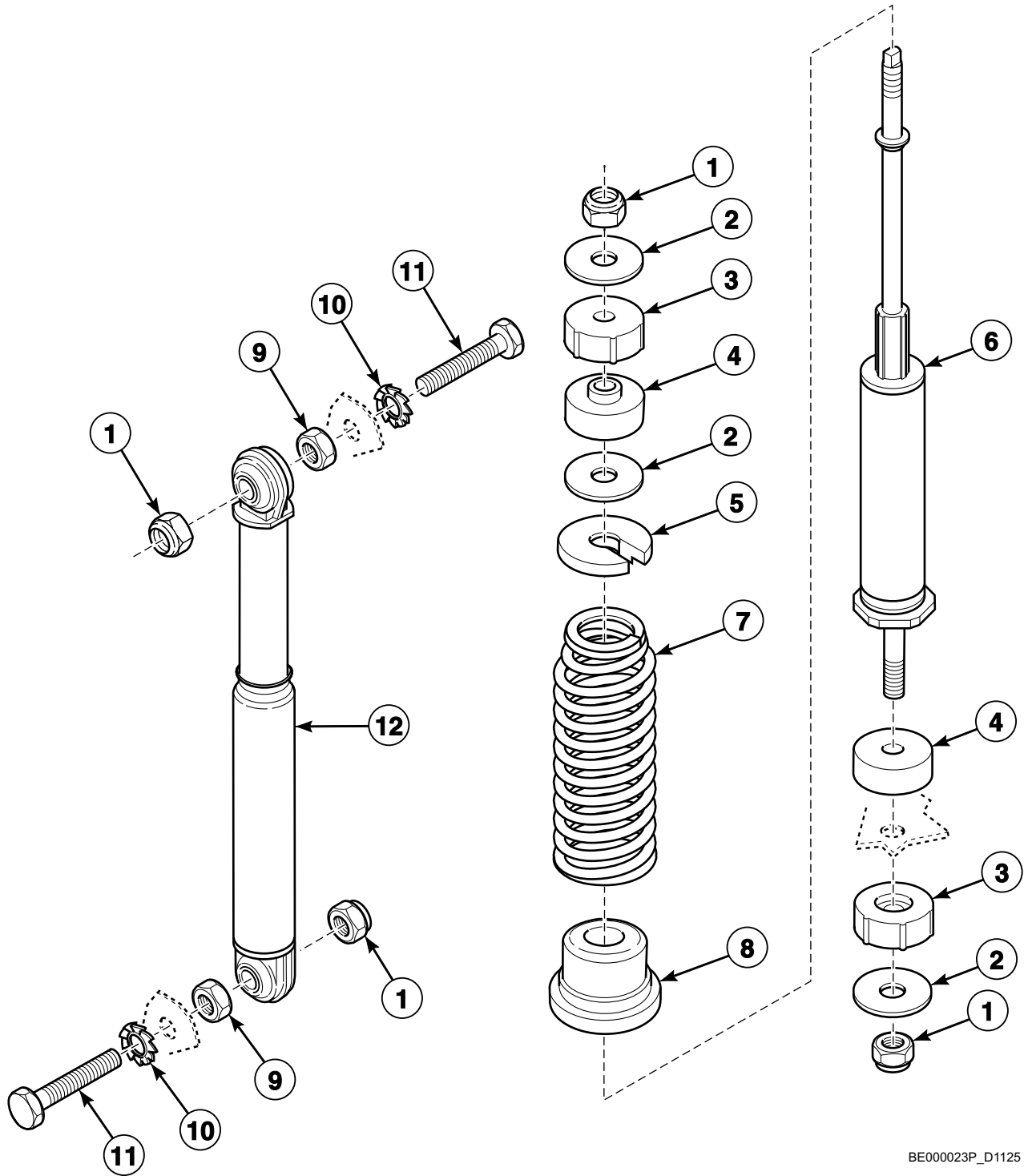


BE000022P_D1125

Frame

REF	PART NO.	DESCRIPTION	COMMENTS
1	115/00108/00	Tightening Ring	
2	206/00030/00	Bolt	
3	201/00010/00	Washer	
4	115/00109/00	Tightening Ring	
5	204/00110/00	Nut	
6	115/00102/00	Shell	HF65 models
	115/00106/00	Shell	HF76 models
	115/00116/00	Shell	HF95 models
7	204/00112/00	Nut	
8	201/00013/00	Washer	
9	201/00014/00	Washer	
10	206/00055/00	Screw	
11	113/00035/00	Counterweight	
12	113/00039/00	Base	HF65 and HF76 models
	113/00048/00	Base	HF95 models

Shock Absorber

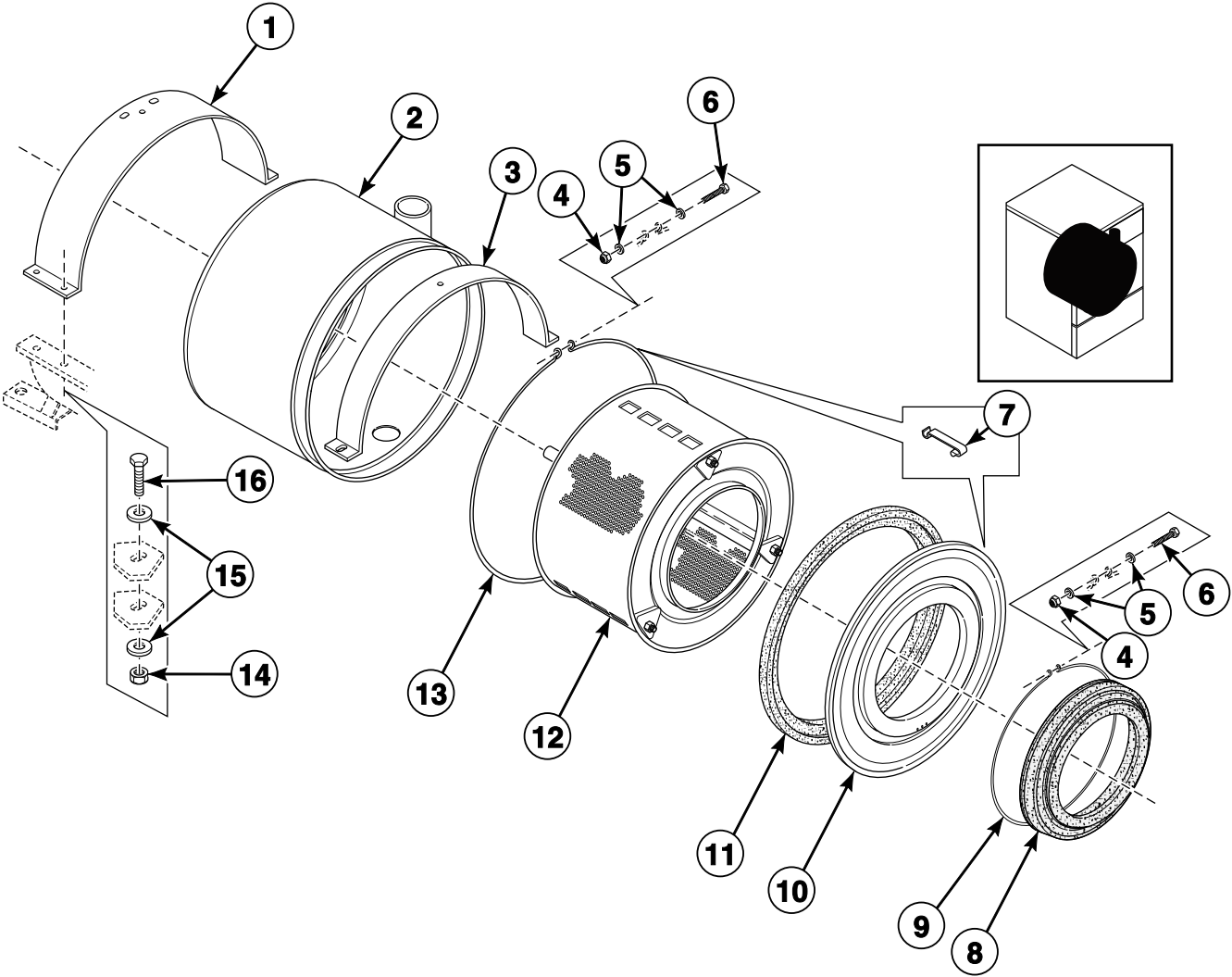


BE000023P_D1125

Shock Absorber

REF	PART NO.	DESCRIPTION	COMMENTS
1	204/00110/00	Nut	
2	201/00015/00	Washer	
3	247/00007/00	Fastening Rubber	
4	247/00006/00	Fastening Rubber	
5	247/00001/04	Spring Holder Top	
6	247/00001/02	Shock Absorber	Without spring
	247/00001/00	Shock Absorber	HF65 and HF76 models; Black; Includes spring
	247/00001/05	Shock Absorber	HF95 models; Red; Includes spring
7	247/00001/01	Suspension Spring	Black; 4.8 mm diameter
	247/00009/00	Suspension Spring	Red; 5 mm diameter
8	247/00001/03	Spring Seat Bottom	
9	204/00003/00	Nut	
10	203/00002/00	Washer	
11	206/00030/30	Bolt	
12	247/00005/00	Shock Absorber	

Shell and Basket

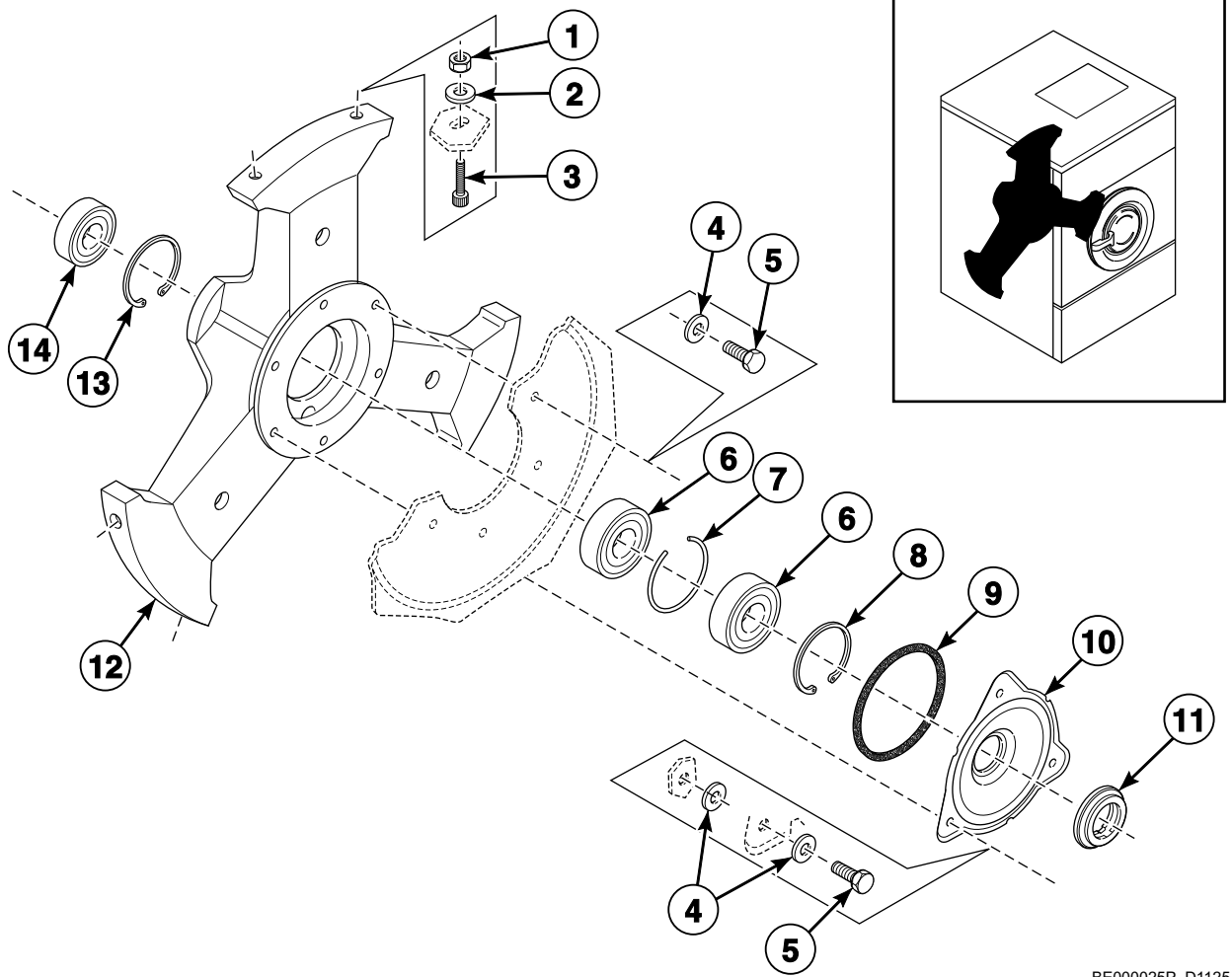


BE000024P_D1125

Shell and Basket

REF	PART NO.	DESCRIPTION	COMMENTS
1	115/00108/00	Tightening Ring	
2	118/10054/00	Tub	HF65 models; Boiler fed
	118/10058/00	Tub	HF65 models; Steam heat
	118/10056/00	Tub	HF65 models; Electric heat
	118/10060/00	Tub	HF65 models; Electric and steam heat
	118/10055/00	Tub	HF76 models; Boiler fed
	118/10059/00	Tub	HF76 models; Steam heat
	118/10057/00	Tub	HF76 models; Electric heat
	118/10061/00	Tub	HF76 models; Electric and steam heat
	118/10097/00	Tub	HF95 models; Boiler fed
	118/10100/00	Tub	HF95 models; Steam heat
	118/10098/00	Tub	HF95 models; Electric heat
	118/10099/00	Tub	HF95 models; Electric and steam heat
	3	115/00109/00	Tightening Ring
4	204/00009/00	Nut	
5	202/00003/00	Washer	
6	206/00011/00	Bolt	
7	217/00008/00	Tub Front Panel Clip	
8	223/00122/00	Door Boot	
9	238/00017/00	Clamp	
10	118/00054/03	Tub Front Panel	
11	217/00006/00	Front Panel Gasket Kit	
12	111/01953/00	Basket	HF65 models
	123/10002/00	Basket	HF76 models
	120/10031/00	Cylinder and Trunnion Assembly	HF95 models
13	217/00007/00	Tub Front Ring Clamp	
14	204/00110/00	Nut	
15	201/00010/00	Washer	
16	206/00053/00	Screw	

Bearing Housing

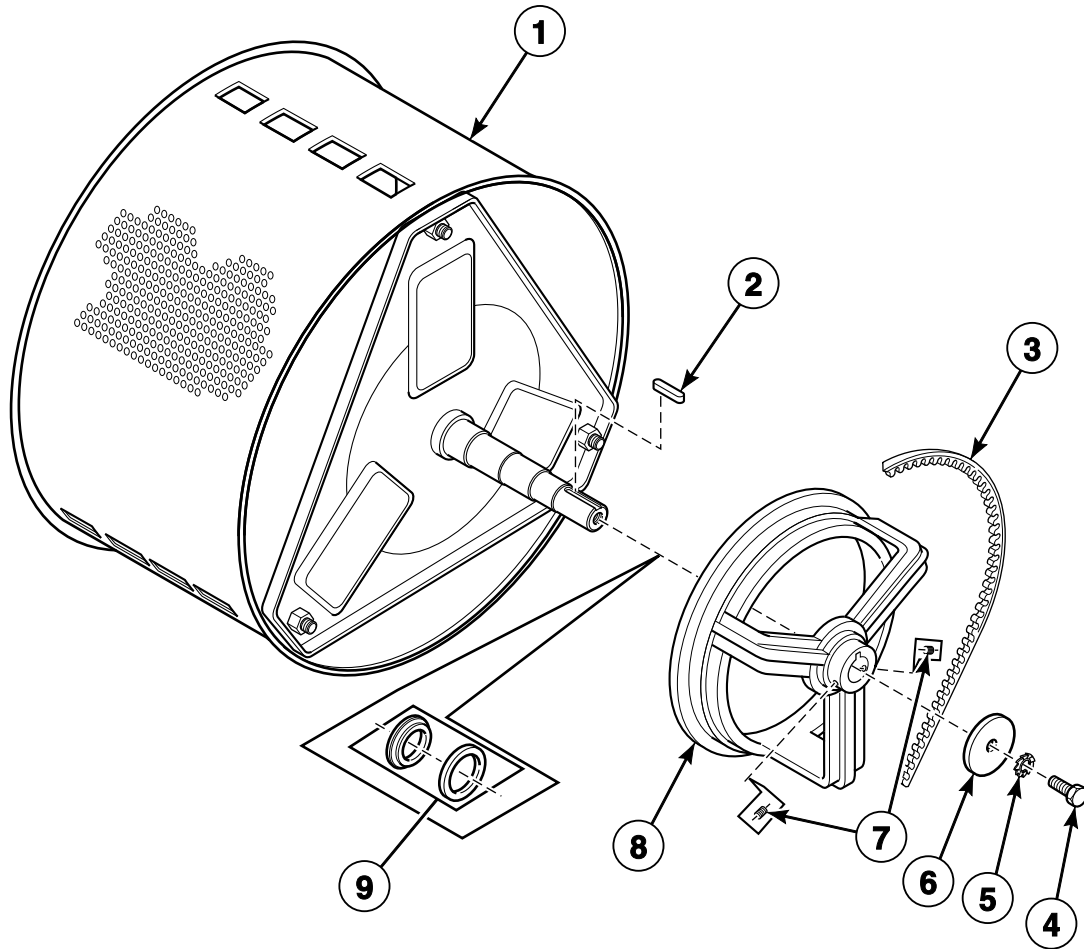


BE000025P_D1125

Bearing Housing

REF	PART NO.	DESCRIPTION	COMMENTS
1	204/00111/00	Nut	
2	201/00009/00	Washer	
3	206/00053/00	Screw	
4	201/00201/00	Washer	
5	205/00102/00	Bolt	
6	215/00001/03	Ball Bearing	
7	212/00030/00	Retaining Ring	
8	212/00028/00	Retaining Ring	
9	217/00002/00	O-Ring	
10	117/00001/00	Seal Cover	
11	217/00003/00	Shaft Seal	
12	115/00201/00	Housing	
13	252/00027/00	Retaining Ring	
14	215/00001/12	Ball Bearing	

Basket, Pulley and Belt

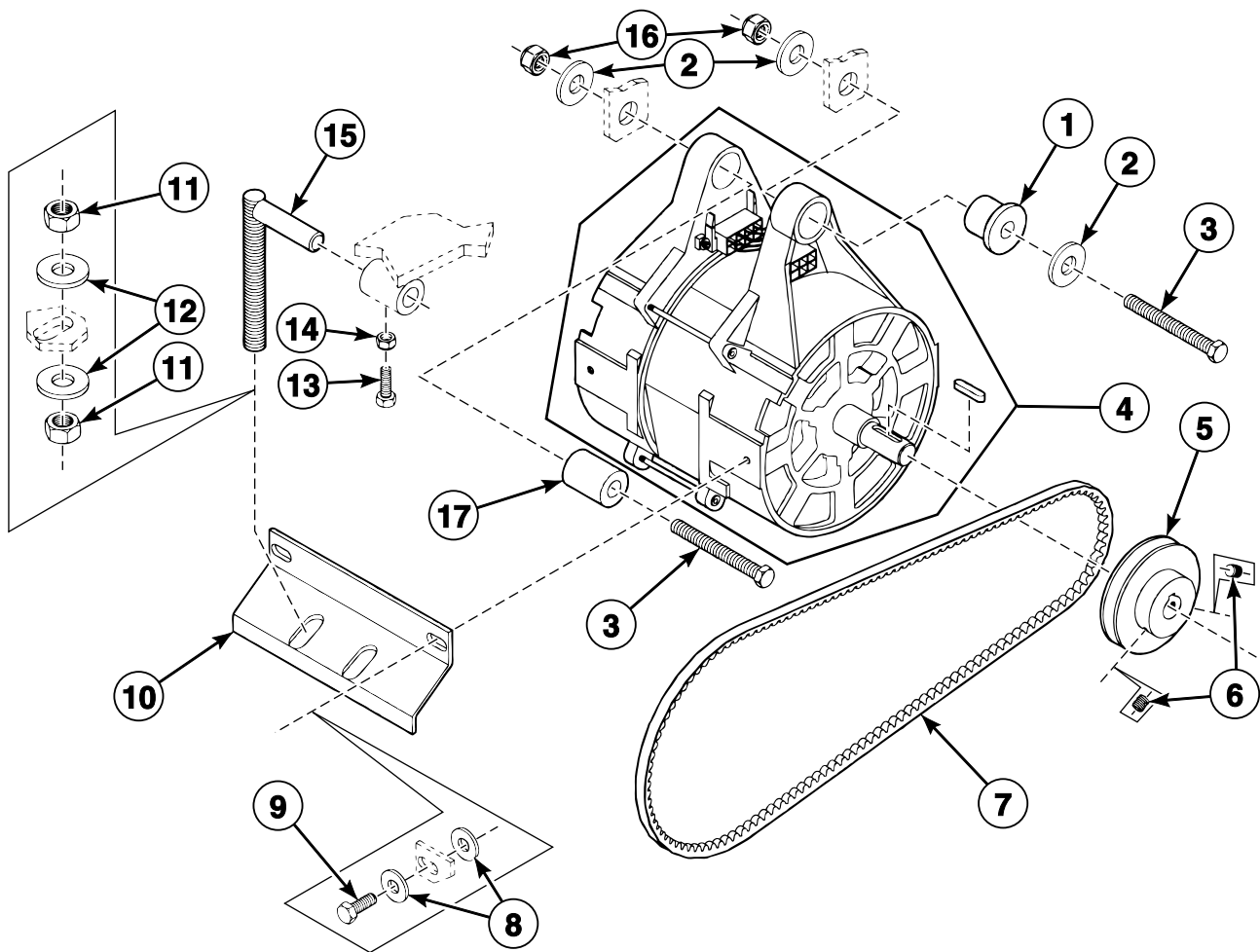


BE000026P_D1125

Basket, Pulley and Belt

REF	PART NO.	DESCRIPTION	COMMENTS
1	111/01953/00	Basket	HF65 models
	123/10002/00	Basket	HF76 models
	120/10031/00	Cylinder and Trunnion Assembly	HF95 models
2	216/00007/00	Cylinder Shaft Key	
3	226/00101/00	Belt	
4	206/00003/00	Bolt	
5	203/00001/00	Washer	
6	201/00003/00	Washer	
7	206/00056/00	Screw	
8	226/00071/00	Pulley	
9	217/00004/00	Counter Ring	

Wash Motor and Belt

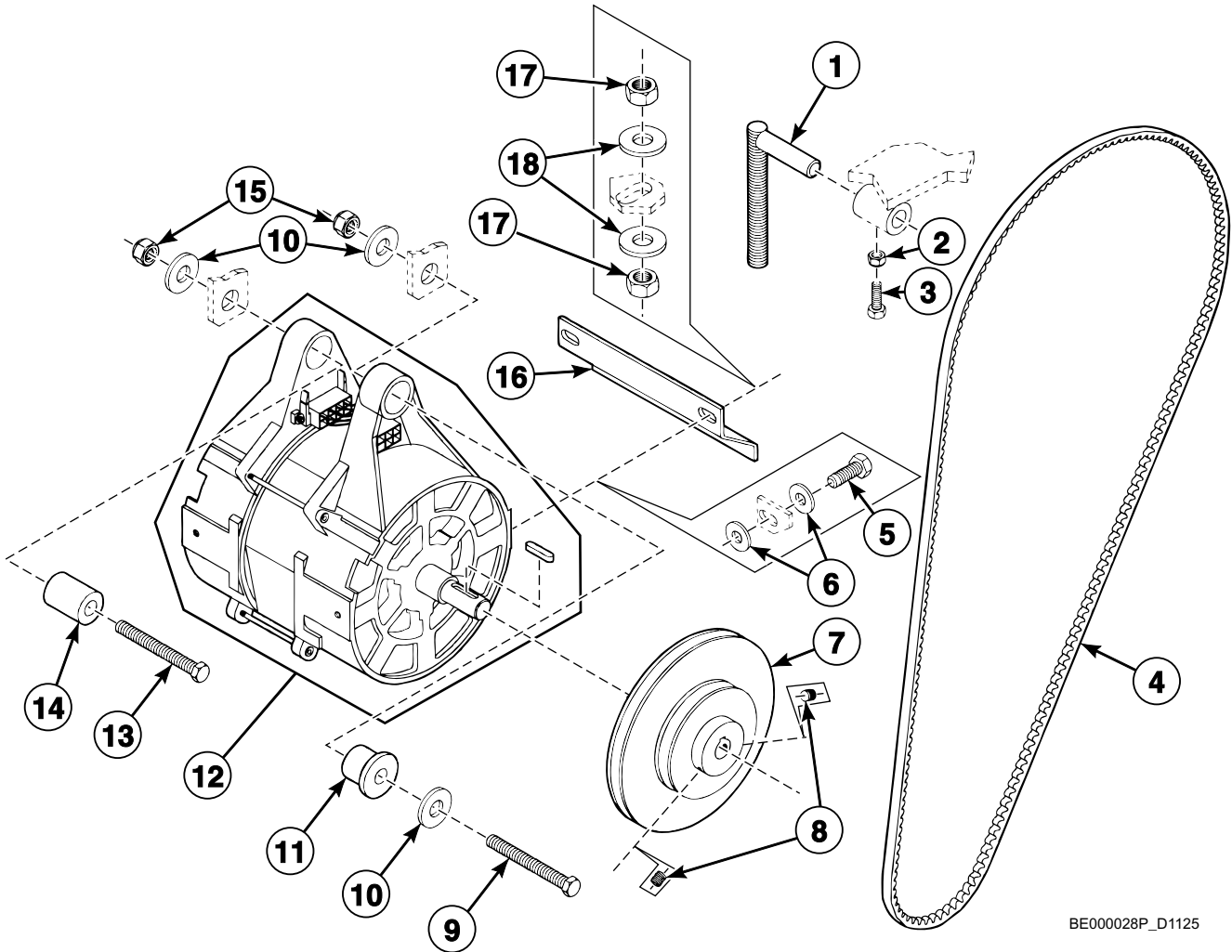


BE000027P_D1125

Wash Motor and Belt

REF	PART NO.	DESCRIPTION	COMMENTS
1	115/00150/00	Motor Mount Bushing	
2	201/00013/00	Washer	
3	206/00045/00	Bolt	
4	227/00111/00	Motor Kit	EB65
	227/00012/00	Motor	EB85
5	226/00068/00	V Belt Pulley	
6	206/00056/00	Screw	
7	226/00093/00	Belt	
8	202/00002/00	Washer	
9	206/00010/00	Bolt	
10	113/00037/00	Belt Plate	HF65 and HF76 models
	113/00040/00	Belt Plate	HF95 models
11	204/00012/00	Nut	
12	201/00001/00	Washer	
13	206/00014/00	Bolt	
14	204/00005/00	Nut	
15	113/00038/00	Belt Rod	
16	204/00112/00	Nut	
17	115/00105/00	Tube	

Spin Motor and Belt

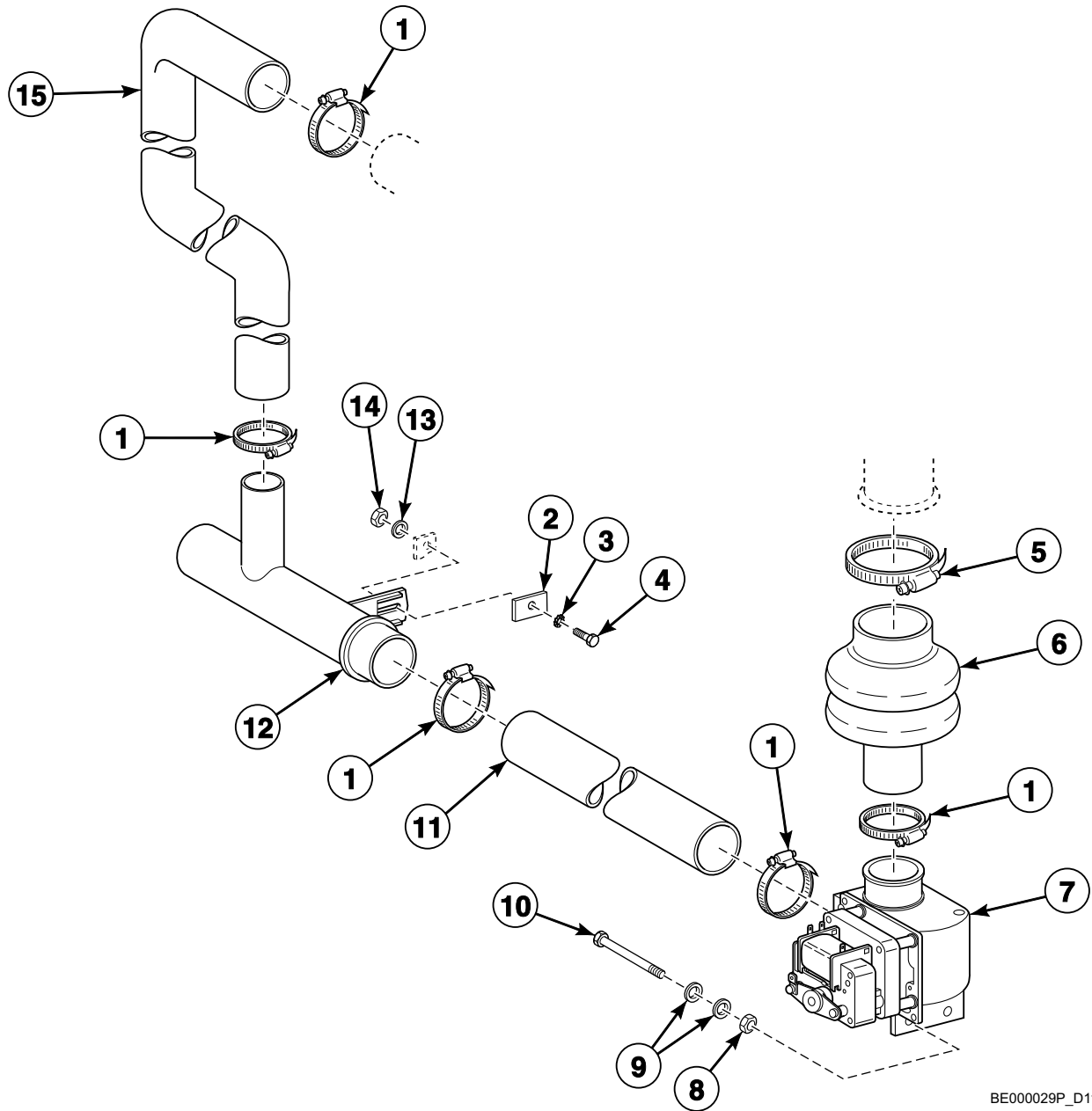


BE000028P_D1125

Spin Motor and Belt

REF	PART NO.	DESCRIPTION	COMMENTS
1	113/00038/00	Belt Rod	
2	204/00005/00	Nut	
3	206/00014/00	Bolt	
4	226/00101/00	Belt	
5	206/00010/00	Bolt	
6	202/00002/00	Washer	
7	226/00085/00	Pulley	50 Hertz
	226/00086/00	V Belt Pulley	60 Hertz
8	206/00056/00	Screw	
9	206/00045/00	Bolt	
10	201/00013/00	Washer	
11	115/00150/00	Motor Mount Bushing	
12	227/00111/00	Motor Kit	EB65
	227/00112/00	Motor Kit	EB85
13	206/00013/00	Bolt	
14	115/00105/00	Tube	
15	204/00112/00	Nut	
16	113/00037/00	Belt Plate	HF65 and HF76 models
	113/00040/00	Belt Plate	HF95 models
17	204/00012/00	Nut	
18	201/00001/00	Washer	

Drain Plumbing

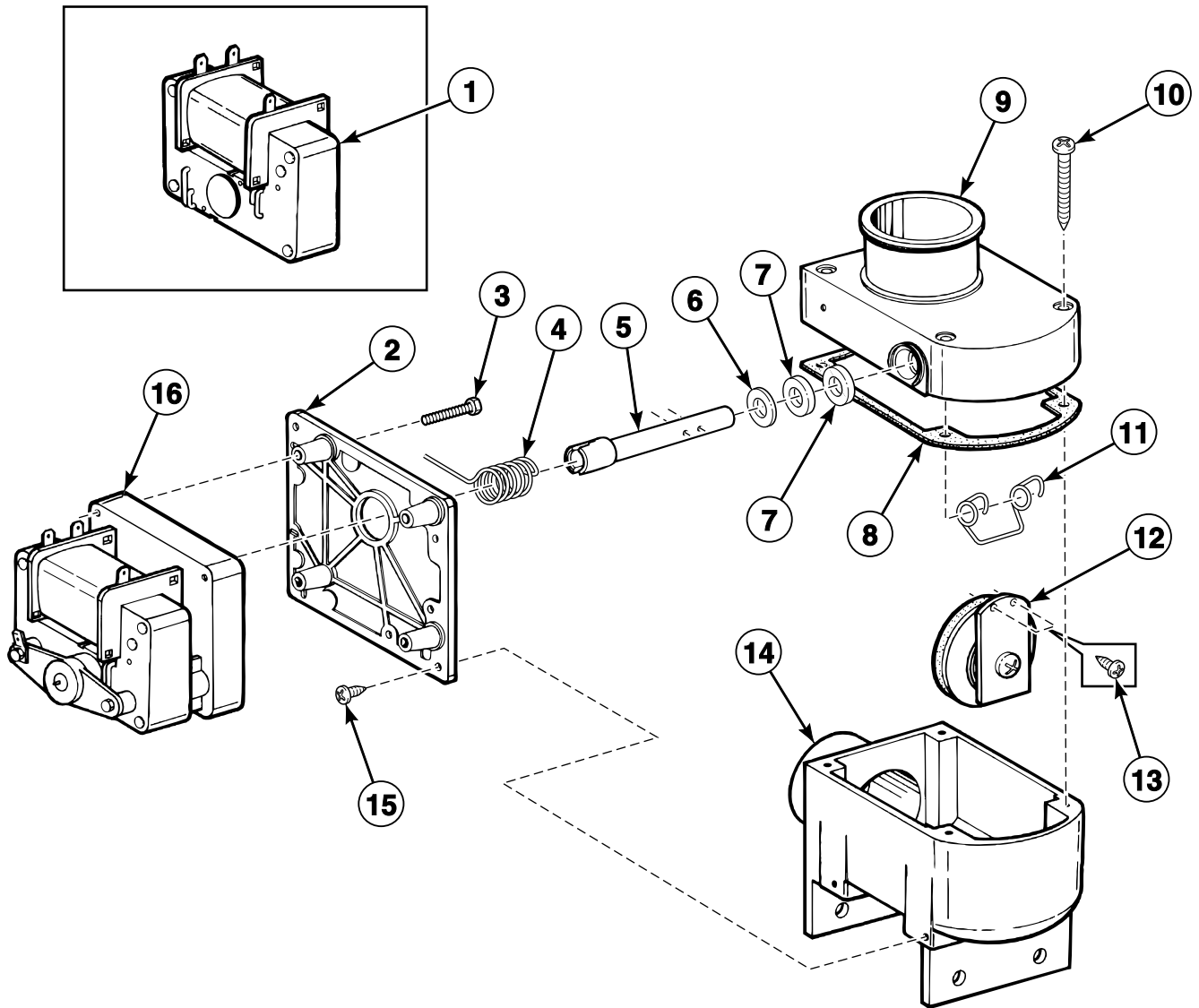


BE000029P_D1125

Drain Plumbing

REF	PART NO.	DESCRIPTION	COMMENTS
1	223/00013/00	Hose Clamp	
2	101/00007/00	Outlet Pipe Plate Assembly	
3	203/00004/00	Washer	
4	206/00033/00	Bolt	
5	223/00014/00	Hose Clamp	
6	223/00129/00	Tub Drain Valve	
7	209/00256/00	Drain Valve	NO
	209/00292/00	Exhaust Valve	NC
8	204/00109/00	Nut	
9	202/00002/00	Washer	
10	206/00068/00	Bolt	
11	223/00137/00	Valve Exhaust	HF65 and HF76 models
	223/00138/00	Valve Exhaust	HF95 models
12	223/00105/00	Drain Pipe	
13	202/00003/00	Washer	
14	204/00005/00	Nut	
15	223/00084/00	Overflow Pipe	

Drain Valve - Normally Open

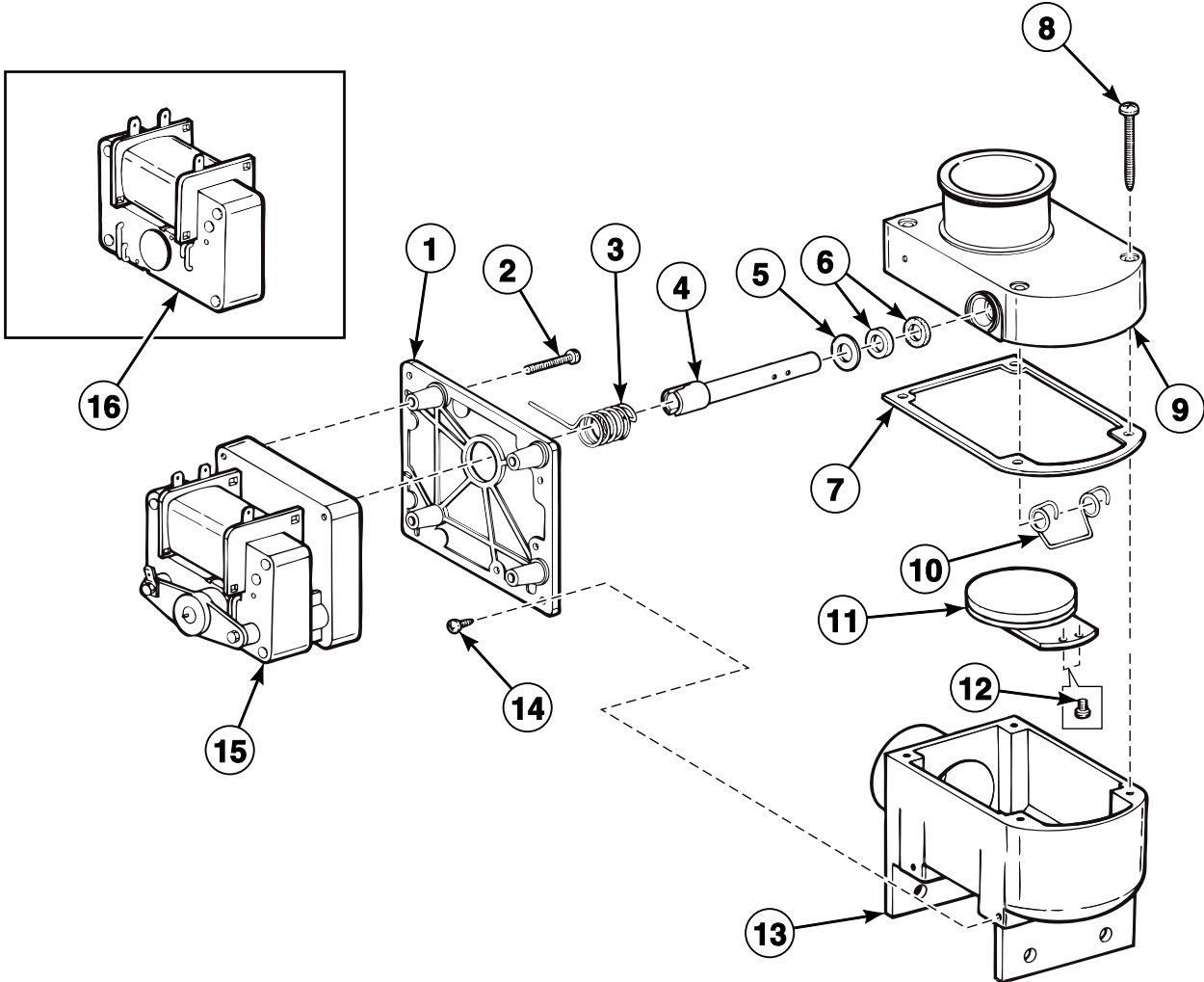


BE000030AP_D1125

Drain Valve - Normally Open

REF	PART NO.	DESCRIPTION	COMMENTS
1	209/00203/21	Coil	24 Volt
	209/00052/21	Coil	115 Volt/60 Hertz
	209/00051/21	Coil	220 Volt/50 or 60 Hertz
2	209/00025/07	Drain Valve Motor Mounting Plate	
3	209/00025/08	Screw	
4	209/00025/13	Drain Valve Spring	
5	209/00025/15	Valve Axle	
6	209/00025/12	Washer	
7	209/00025/10	Drain Valve Shaft Seal	
8	209/00025/02	Drain Housing Gasket	
9	209/00256/05	Valve	
10	209/00025/06	Screw	
11	209/00025/03	Drain Valve Spring	
12	209/00025/16	Sealing Plate Assembly	
13	209/00025/09	Screw	
14	209/00256/01	Valve	
15	209/00170/05	Screw	
16	209/00203/11	Drain Valve Motor	24 Volt
	209/00052/11	Drain Valve Motor	110 Volt/60 Hertz
	209/00051/11	Drain Valve Motor	220 Volt/50 or 60 Hertz

Drain Valve - Normally Closed

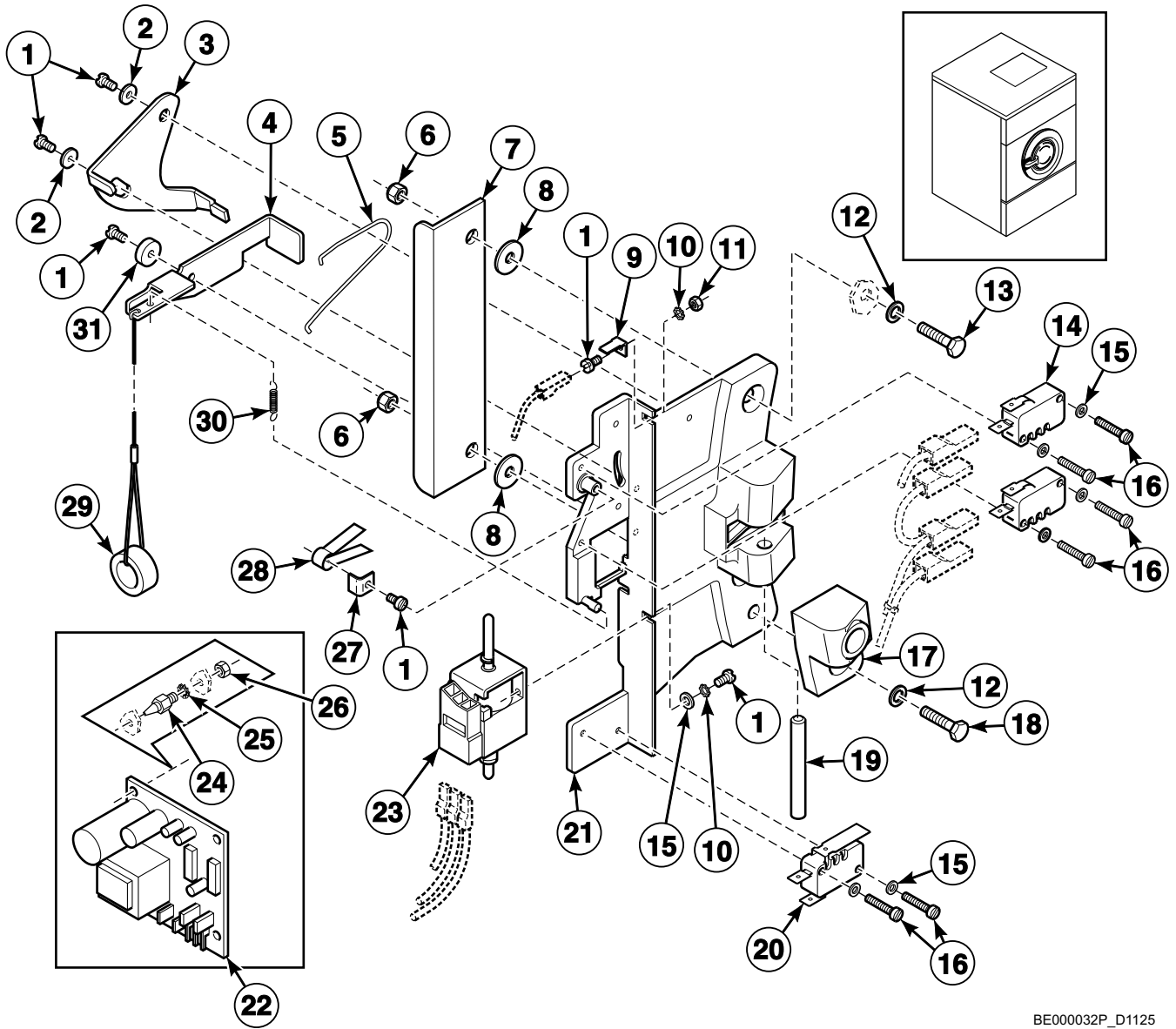


BE000031AP_D1125

Drain Valve - Normally Closed

REF	PART NO.	DESCRIPTION	COMMENTS
1	209/00025/07	Drain Valve Motor Mounting Plate	
2	209/00025/08	Screw	
3	209/00170/02	Drain Valve Spring	
4	209/00025/15	Valve Axle	
5	209/00025/12	Washer	
6	209/00025/10	Drain Valve Shaft Seal	
7	209/00025/02	Drain Housing Gasket	
8	209/00025/06	Screw	
9	209/00256/05	Valve	
10	209/00025/03	Drain Valve Spring	
11	209/00025/16	Sealing Plate Assembly	
12	209/00025/09	Screw	
13	209/00256/01	Valve	
14	209/00170/05	Screw	
15	209/00203/12	Drain Valve Motor	24 Volt
	209/00052/12	Drain Valve Motor	110 Volt/60 Hertz
	209/00170/06	Drain Valve Motor Assembly	220 Volt/50 or 60 Hertz
16	209/00203/21	Coil	24 Volt
	209/00052/21	Coil	115 Volt/60 Hertz
	209/00051/21	Coil	220 Volt/50 or 60 Hertz

Door Lock

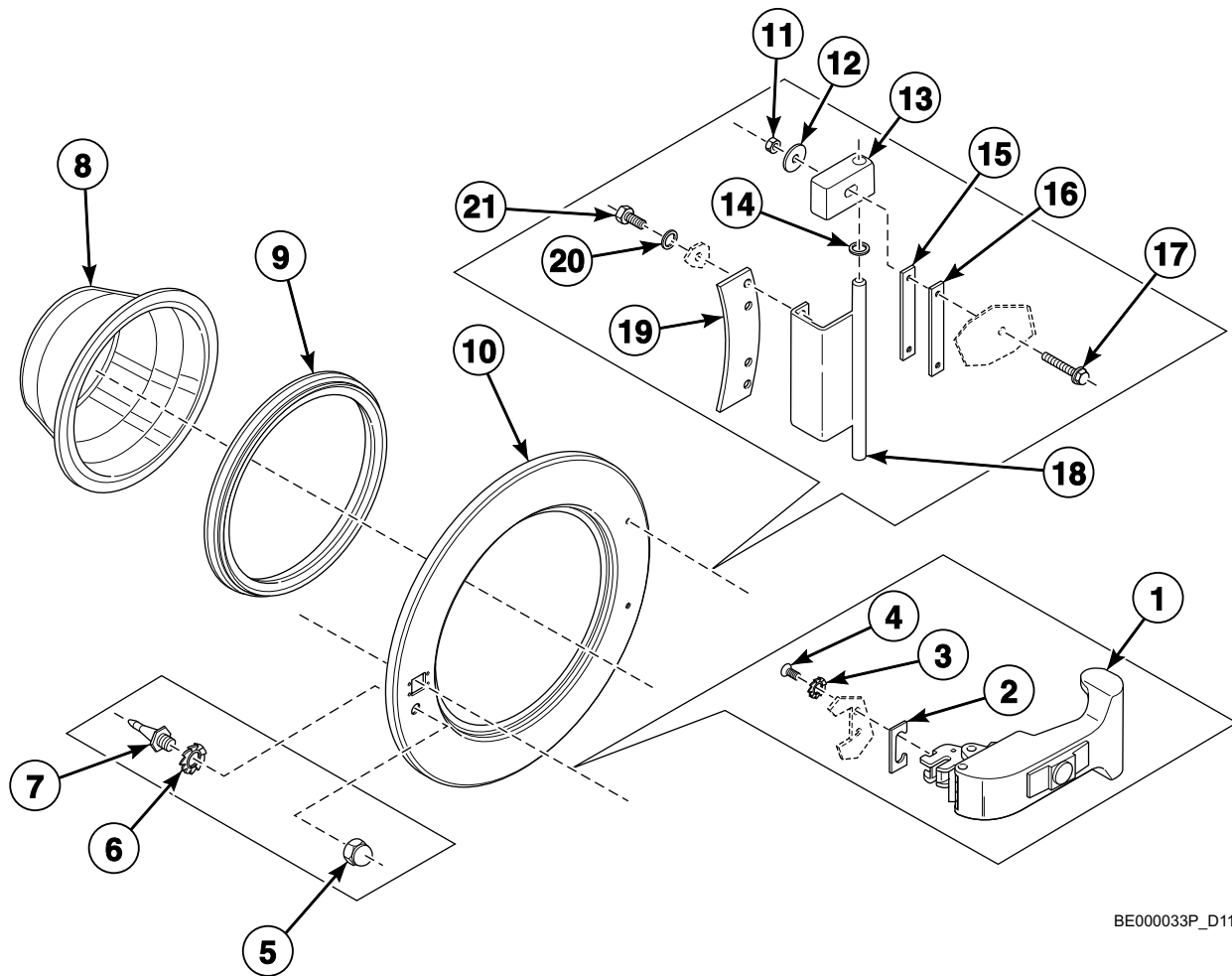


BE000032P_D1125

Door Lock

REF	PART NO.	DESCRIPTION	COMMENTS
1	207/00135/00	Screw	
2	201/00017/00	Washer	
3	217/00052/05	Switch Lever	
4	217/00052/04	Interlock Lever	
5	224/00040/00	Lever Spring	
6	204/00009/00	Nut	
7	117/00052/08	Lock Protection Plate	
8	201/00006/00	Washer	
9	210/10015/00	Ground Terminal	
10	203/00007/00	Washer	
11	204/00008/00	Nut	
12	202/00101/00	Washer	
13	205/00103/00	Bolt	
14	209/00272/00	Door Lock Microswitch	
15	201/00018/00	Washer	
16	207/00009/00	Screw	
17	217/00052/02	Door Lock Pin Kit	
18	205/00115/00	Bolt	
19	217/00017/03	Lock Shaft	
20	209/00273/00	Light Microswitch	
21	217/00052/01	Door Lock Assembly	
22	209/00275/04	Door Lock Board	
23	209/00274/00	Door Lock Solenoid	
24	211/00120/00	Standoff	
25	203/00006/00	Washer	
26	204/00007/00	Nut	
27	217/00052/08	Washer	
28	224/00049/00	Door Lock Spring	
29	224/00015/00	Door Latch Cord	
30	224/00043/00	Interlock Coil Spring	
31	217/00052/03	Door Lock Spacer	

Door

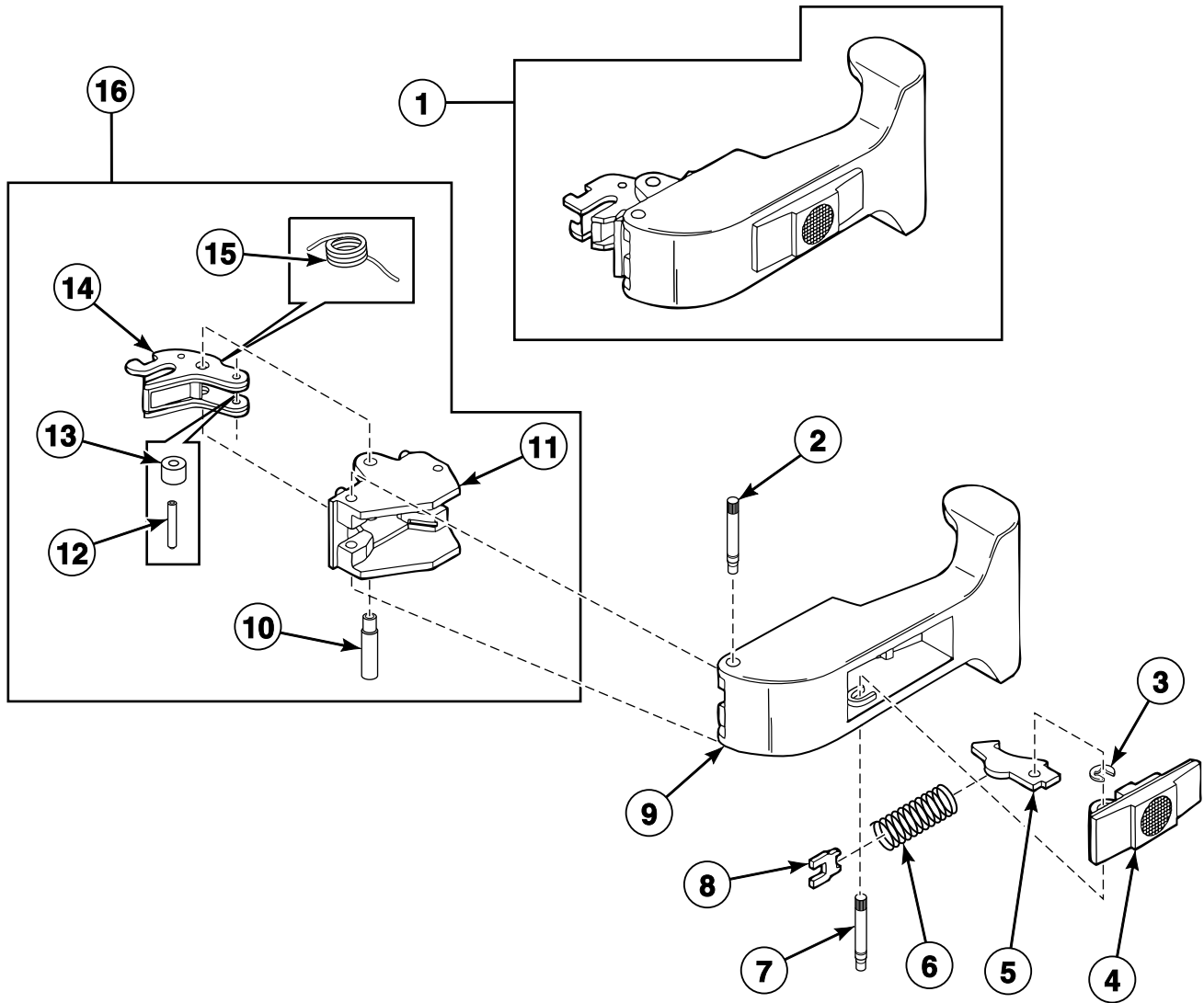


BE000033P_D1125

Door

REF	PART NO.	DESCRIPTION	COMMENTS
1	217/00051/00	Door Handle	
2	217/00016/00	Door Handle Stop	
3	203/00008/00	Washer	
4	B12500801	Screw	
5	204/00103/00	Nut	
6	203/00011/00	Washer	
7	211/00109/00	Door Lock Pin Kit	
8	217/00022/00	Door Glass	
9	217/00015/00	Door Glass Seal	
10	118/00046/10	Door Frame	
11	204/00106/00	Nut	
12	202/00108/00	Washer	
13	217/00009/02	Door Hinge Assembly	
14	202/00104/00	Washer	
15	117/00011/00	Door Hinge Spacer	
16	117/00010/00	Door Hinge Spacer	
17	207/00126/00	Screw	
18	221/00005/00	Door Hinge	
19	118/00065/00	Door Hinge Plate Assembly	
20	202/00101/00	Washer	
21	205/00107/00	Bolt	

Door Handle

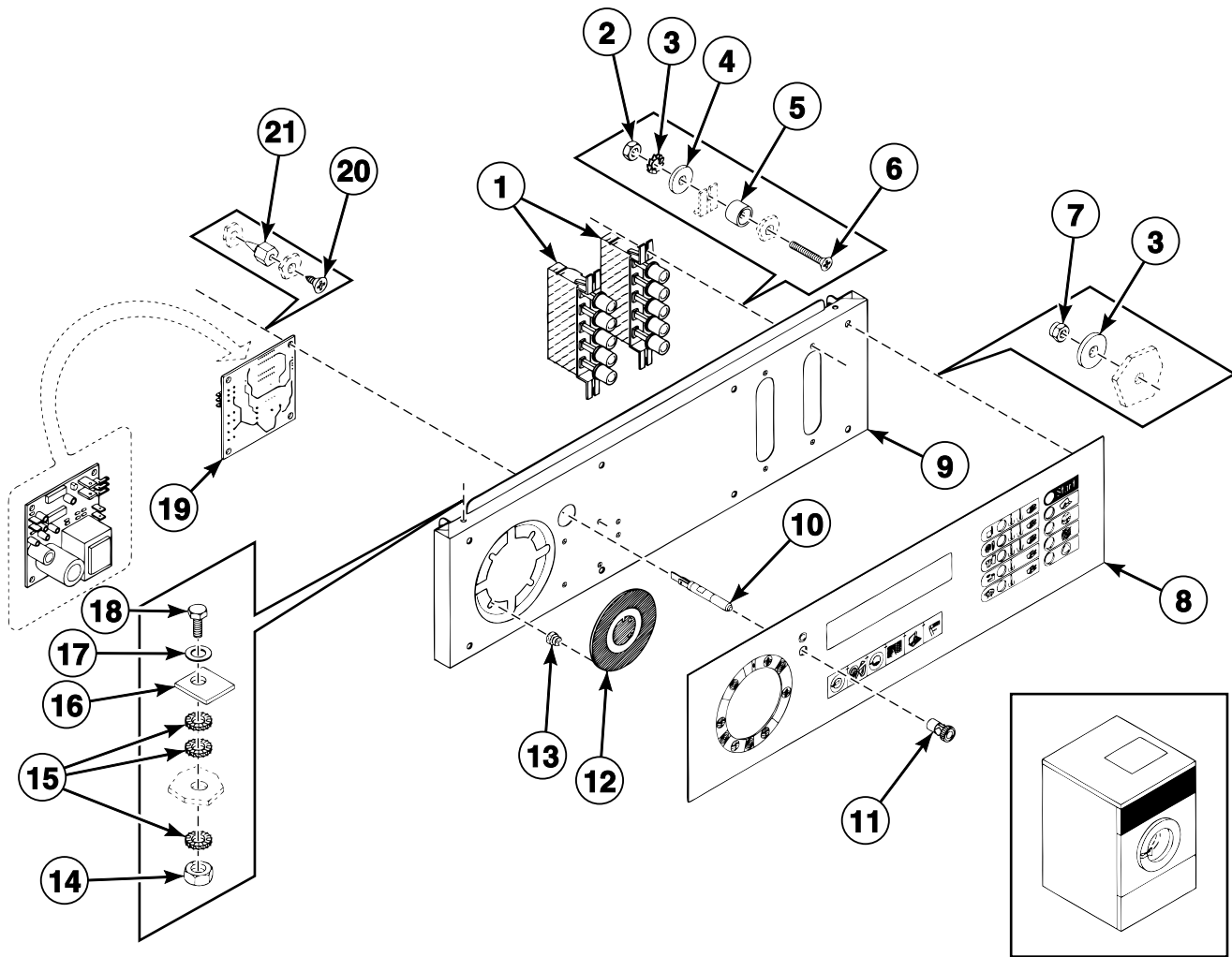


BE000034AP_D1125

Door Handle

REF	PART NO.	DESCRIPTION	COMMENTS
1	217/00051/00	Door Handle	
2	217/00013/09	Door Mounting Pin	
3	217/00013/11	Door Circlip	
4	217/00013/12	Door Handle	
5	217/00013/13	Door Handle Hook	
6	217/00013/14	Door Handle Spring	
7	217/00013/15	Door Handle Locking Pin	
8	217/00013/16	Door Handle Assembly Plate	
9	217/00051/00	Door Handle	
10	217/00013/08	Door Locking Pin	
11	217/00013/07	Door Locking Grip	
12	217/00013/05	Door Axle Roller	
13	217/00013/06	Door Roller	
14	217/00013/04	Door Handle Latch	
15	217/00013/03	Door Lock Spring	
16	217/00051/14	Door Handle Latch	

Control Panel - 10-Button Mechanical Timer

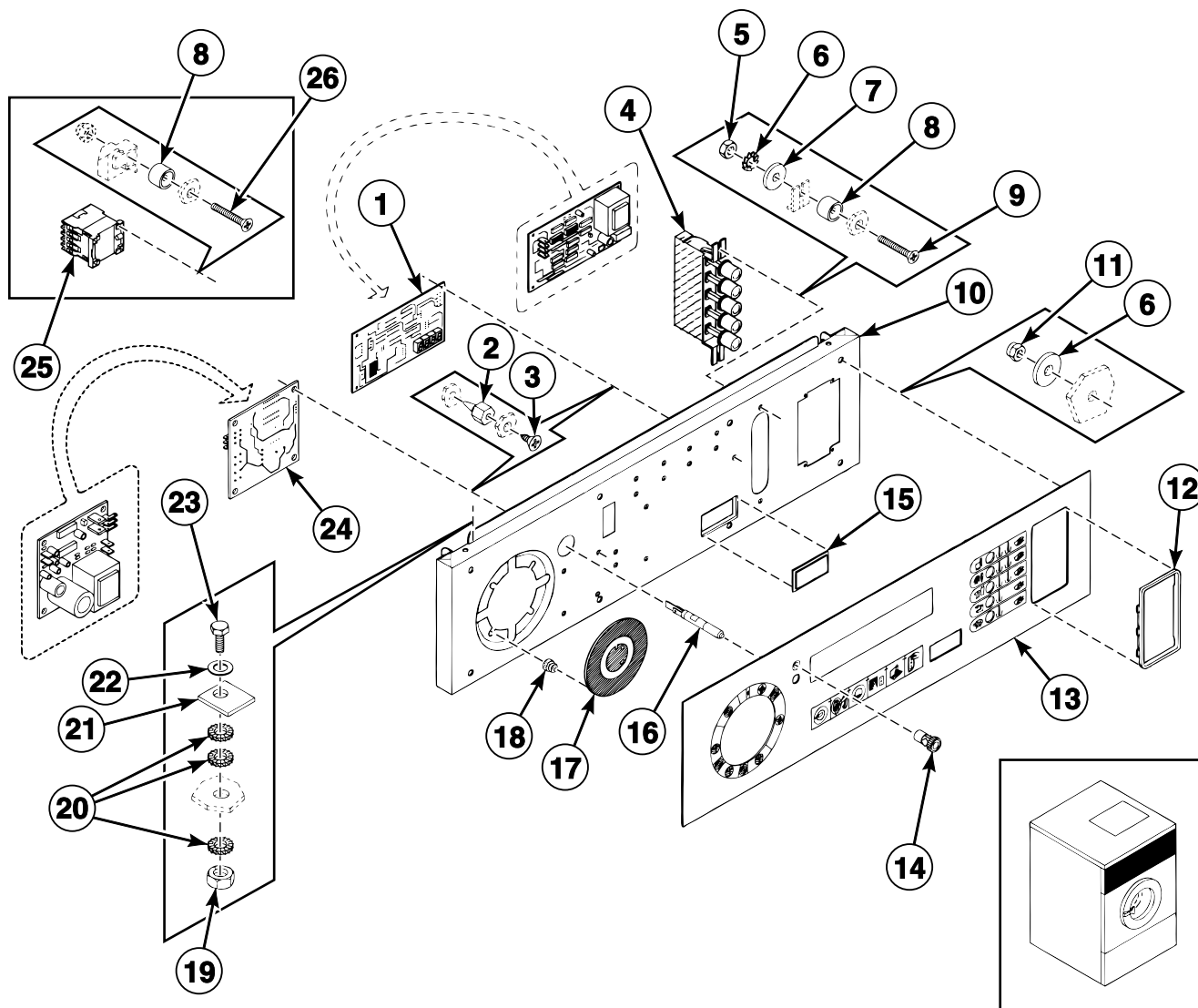


BE000037P_D1125

Control Panel - 10-Button Mechanical Timer

REF	PART NO.	DESCRIPTION	COMMENTS
1	209/00175/01	Pushbutton	
2	204/00007/00	Nut	
3	203/00006/00	Washer	
4	204/00004/00	Nut	
5	211/10156/00	Program Switch Separator	
6	207/00032/00	Screw	
7	204/00114/00	Nut	
8	225/00219/ABL	Panel Face	
9	111/00225/01	Upper Front Panel	
10	209/00151/00	Lamp	
11	209/00152/00	Lens Cover	Red
	209/00154/00	Lens Cover	Orange
12	225/00078/00	Program Indicator	
13	225/10023/00	Fastener	
14	204/00006/00	Nut	
15	203/00005/00	Washer	
16	117/00042/00	Retaining Ring	
17	202/00003/00	Washer	
18	205/00106/00	Bolt	
19	209/00275/04	Door Lock Board	
20	208/00024/00	Screw	
21	211/00125/00	Printboard Separator	

Control Panel - 5-Button Mechanical Timer

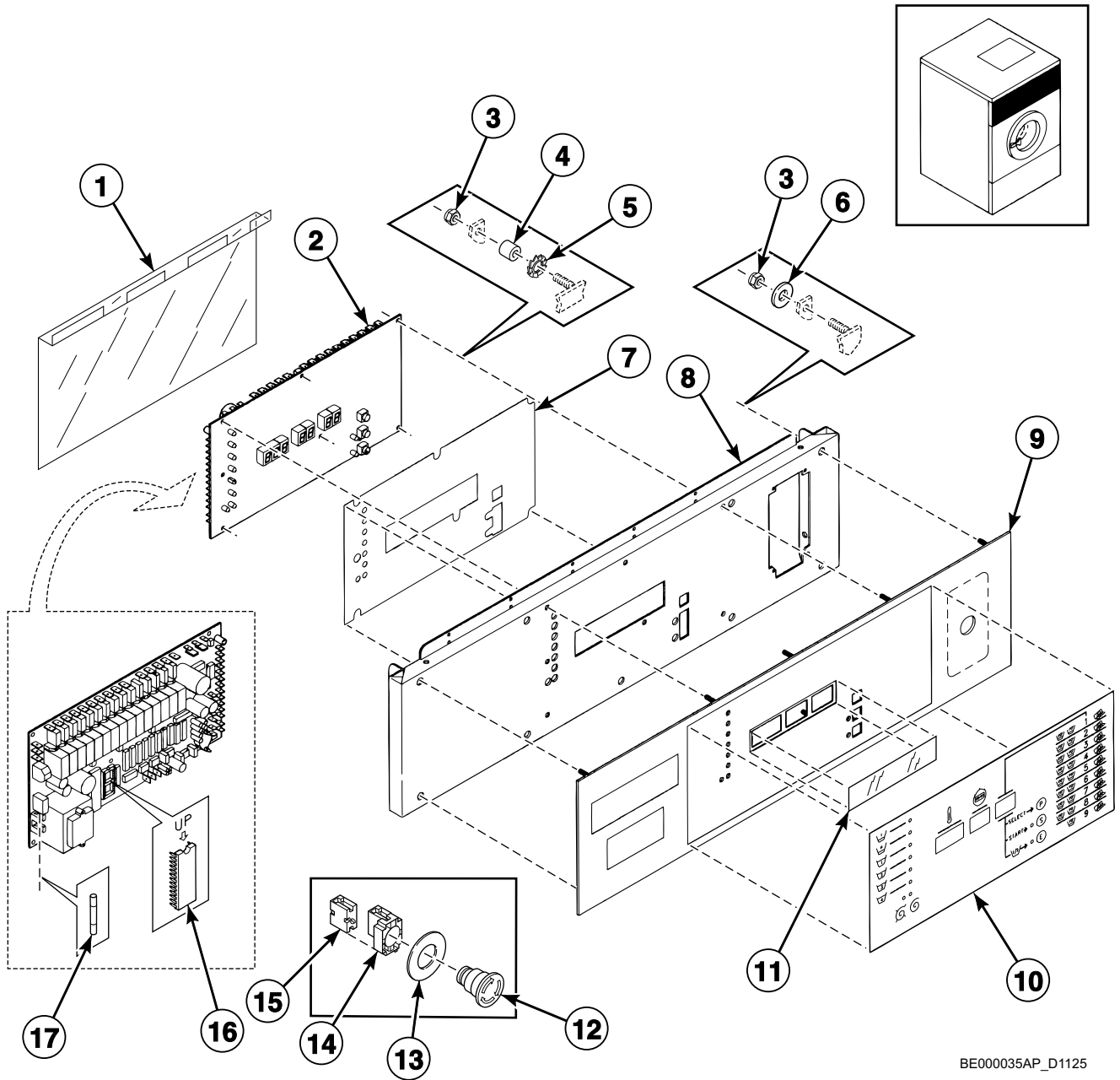


BE000038P_D1125

Control Panel - 5-Button Mechanical Timer

REF	PART NO.	DESCRIPTION	COMMENTS
1	209/00217/00	Coin Display	
2	211/00125/00	Printboard Separator	
3	208/00024/00	Screw	
4	209/00175/01	Pushbutton	
5	204/00007/00	Nut	
6	203/00006/00	Washer	
7	202/00004/00	Washer	
8	211/10156/00	Program Switch Separator	
9	207/00032/00	Screw	
10	111/00225/02	Upper Front Panel	
11	204/00114/00	Nut	
12	225/00020/00	Coin Meter Frame	
13	225/00220/ABL	Front Panel	Symbols
14	209/00152/00	Lens Cover	Red
	209/00154/00	Lens Cover	Orange
15	223/10066/00	Display	
16	209/00151/00	Lamp	
17	225/00078/00	Program Indicator	
18	225/10023/00	Fastener	
19	204/00006/00	Nut	
20	203/00005/00	Washer	
21	117/00042/00	Retaining Ring	
22	202/00003/00	Washer	
23	205/00106/00	Bolt	
24	209/00275/04	Door Lock Board	
25	209/00124/00	Contactactor	
26	206/00036/00	Bolt	

Control Panel - Micro-20

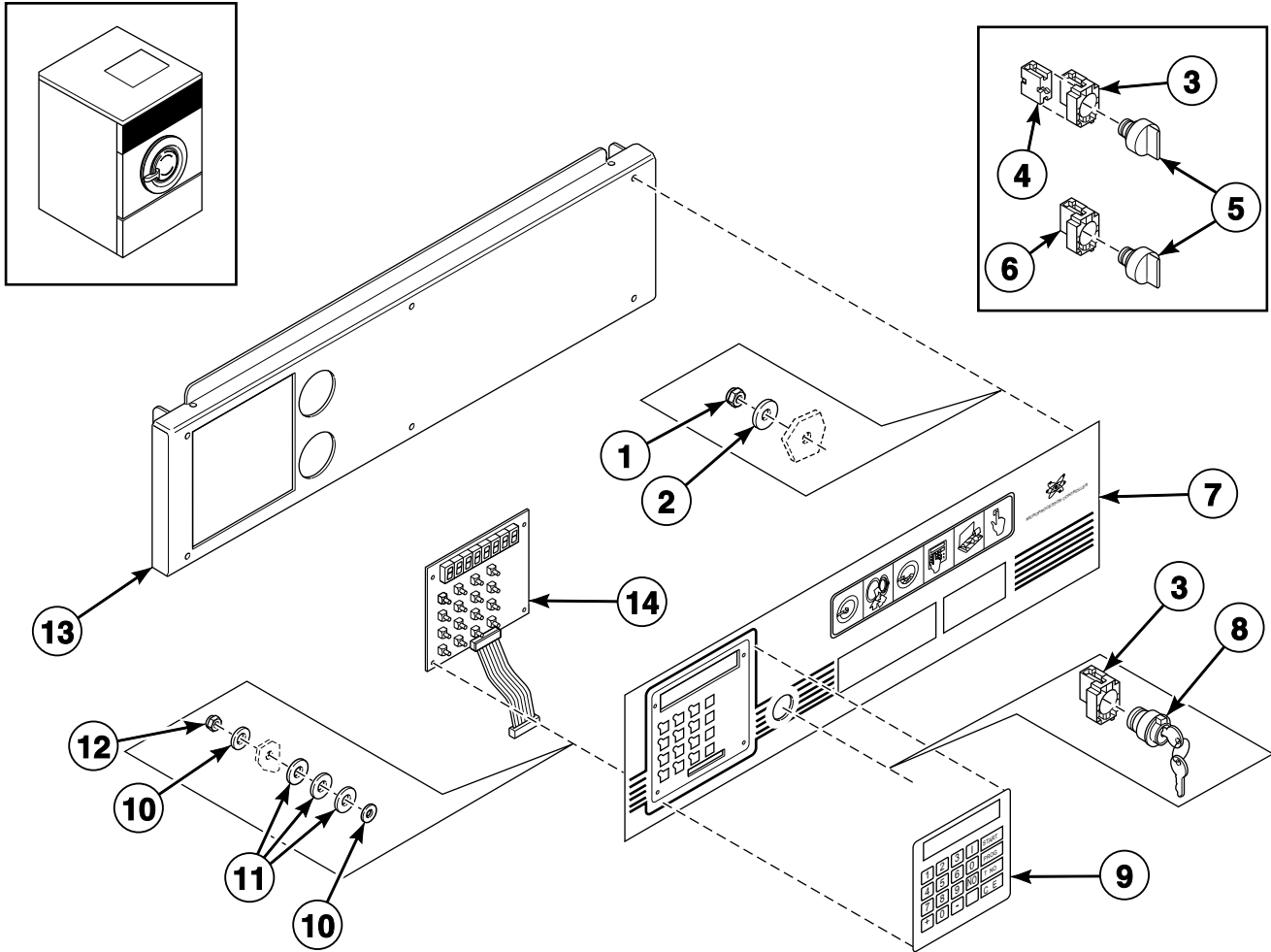


BE000035AP_D1125

Control Panel - Micro-20

REF	PART NO.	DESCRIPTION	COMMENTS
1	229/00262/00	Circuit Board Cover	
2	209/00440/00	Printboard	
3	204/00116/00	Nut	
4	211/00122/00	Standoff	
5	203/00006/00	Washer	
6	201/00008/00	Washer	
7	229/00255/00	Insulating Sticker	
8	111/00182/00	Upper Front Panel	Models HF65_MICRO-20_COIN, HF76_MICRO-20_COIN and HF95_MICRO-20_COIN
	111/00182/10	Upper Front Panel	Models HF65_MICRO-20_OPL, HF76_MICRO-20_OPL and HF95_MICRO-20_OPL
9	225/00293/AOL	Front Panel	Models HF65_MICRO-20_COIN, HF76_MICRO-20_COIN and HF95_MICRO-20_COIN
	225/00294/AOL	Front Panel	Models HF65_MICRO-20_OPL, HF76_MICRO-20_OPL and HF95_MICRO-20_OPL
10	225/00309/00	Sticker	Models HF65_MICRO-20_OPL, HF76_MICRO-20_OPL and HF95_MICRO-20_OPL
	225/00308/00	Sticker	Models HF65_MICRO-20_COIN, HF76_MICRO-20_COIN and HF95_MICRO-20_COIN
11	225/00316/00	Plexi Frame	
12	209/00248/00	Mushroom Pushbutton	
13	209/00520/00	Telem Sticker	
14	209/00099/05	Contact	
15	209/00099/06	Contact Switch	
16	209/00266/01	Eprom	
17	209/00439/00	Fuse	

Control Panel - PC30

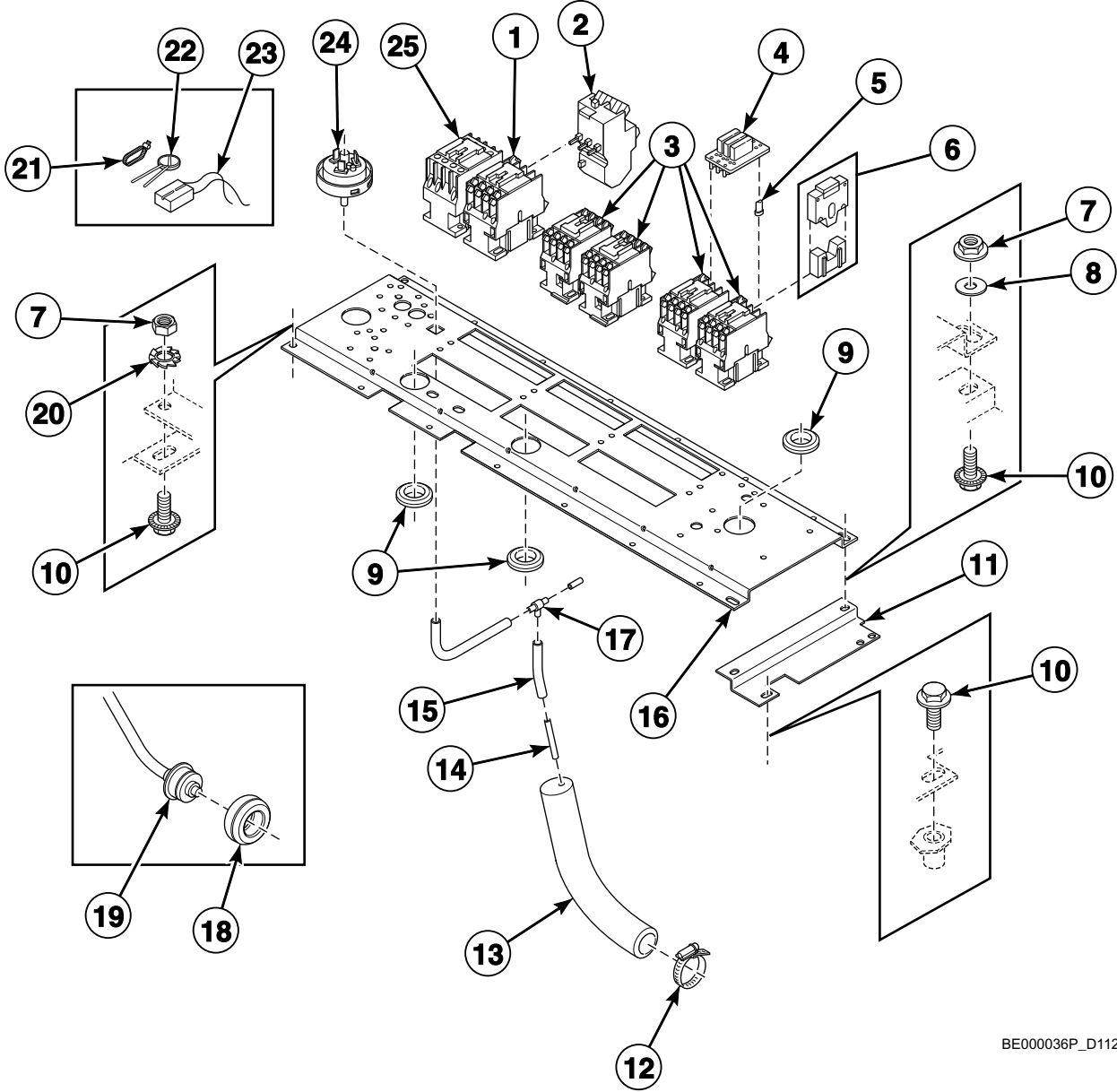


BE000040P_D1125

Control Panel - PC30

REF	PART NO.	DESCRIPTION	COMMENTS
1	204/00114/00	Nut	
2	201/00008/00	Washer	
3	209/00099/05	Contact	
4	209/00099/07	Contact Switch	NO
	209/00099/06	Contact Switch	NC
5	209/00099/09	Button	
6	209/00253/00	Emergency Stop Button Kit	
7	225/00304/00	Front Panel	
8	209/00326/00	Programming Switch	
9	229/00245/00	Label	
10	223/00123/00	Washer	
11	223/00051/10	Washer	
12	204/00116/00	Nut	
13	111/00226/00	Upper Front Panel	
14	209/00323/01	Keyboard	

Electrical Component Mounting Plate - Micro-20 and Sigma

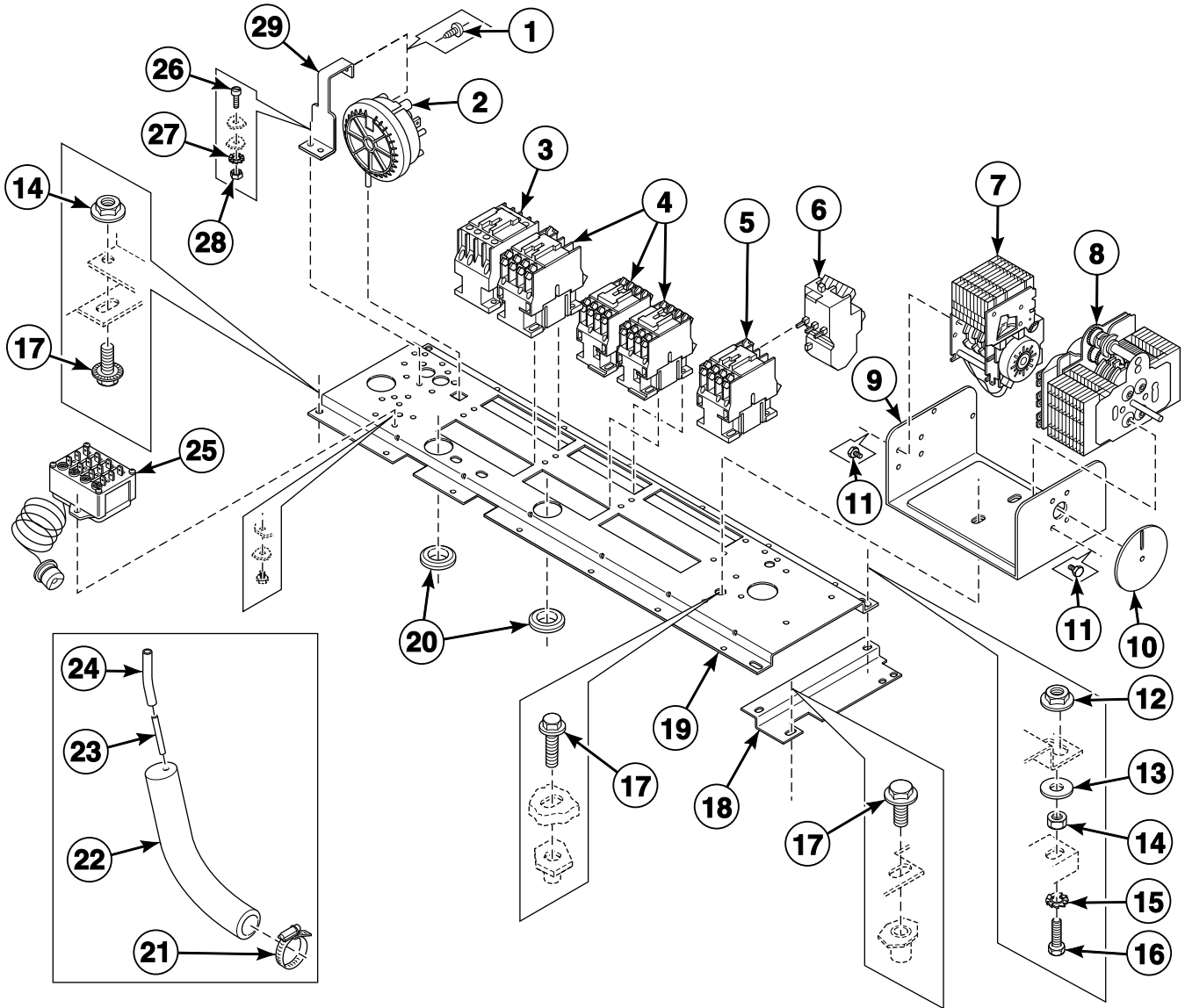


BE000036P_D1125

Electrical Component Mounting Plate - Micro-20 and Sigma

REF	PART NO.	DESCRIPTION	COMMENTS
1	209/00041/05	Contactator	
2	209/00264/00	Protector	4-6 Amp
	209/00263/00	Protector	2.5-4 Amp
3	209/00041/03	Contactator	
4	209/00452/01	Printboard	
5	209/00452/02	Lug Holder	
6	209/00279/00	Lock	
7	204/00005/00	Nut	
8	201/00007/00	Washer	
9	223/00198/00	Grommet	
10	206/00099/00	Bolt	
11	111/00146/00	Assembly Plate	
12	223/00011/00	Hose Clamp	
13	223/00015/00	Level Switch Elbow	
14	223/00016/00	Hose Barb	
15	223/00082/00	Pressure Hose	
16	111/00191/10	Mounting Plate	HF65 and HF76 models
	111/00037/10	Mounting Plate	HF95 models
17	223/00173/00	Pressure Switch Hose Tee	
18	225/10004/00	Thermostat Seal	
19	209/00309/02	Thermostat Assembly	
20	203/00004/00	Washer	
21	211/00108/00	Fastener	
22	209/00356/00	Noise Suppressor	
23	209/00320/00	Filter	
24	209/00007/50	Pressure Switch	
25	209/00148/02	Contactator	LC1D1810M7
	209/00041/04	Contactator	LC1D0901M7

Electrical Component Mounting Plate - Mechanical Timer Models

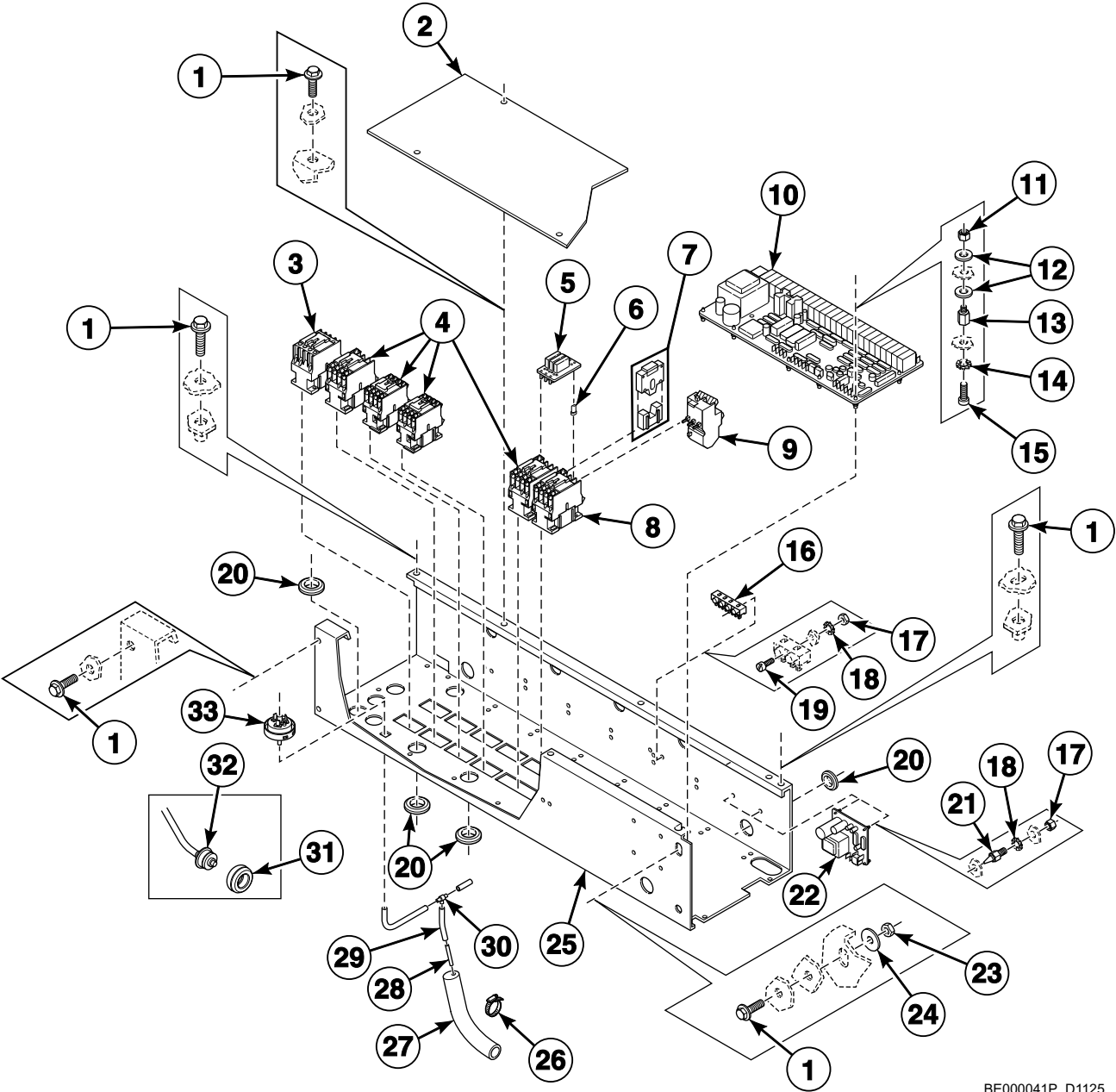


BE000039P_D1125

Electrical Component Mounting Plate - Mechanical Timer Models

REF	PART NO.	DESCRIPTION	COMMENTS
1	208/00007/00	Screw	
2	209/00007/30	Pressure Switch	
3	209/00041/04	Contactactor	LC1D09
	209/00148/02	Contactactor	LC1D18
	209/00177/02	Contactactor	LC1D25
	209/00149/02	Contactactor	LC1D39
4	209/00041/03	Contactactor	
5	209/00041/05	Contactactor	
6	209/00264/00	Protector	4-6 Amp
	209/00263/00	Protector	2.5-4 Amp
7	209/00012/00	Reversing Timer	
8	209/00108/00	Timer	Green
	209/00107/00	Timer	Yellow
9	111/00016/00	Mounting Plate	
10	225/00001/00	Program Indicator	
11	206/00021/00	Screw	
12	206/00101/00	Nut	
13	201/00007/00	Washer	
14	204/00005/00	Nut	
15	203/00004/00	Washer	
16	206/00013/00	Bolt	
17	206/00099/00	Bolt	
18	111/00146/00	Assembly Plate	
19	111/00191/10	Mounting Plate	HF65 and HF76 models
	111/00037/10	Mounting Plate	HF95 models
20	223/00198/00	Grommet	
21	223/00011/00	Hose Clamp	
22	223/00015/00	Level Switch Elbow	
23	223/00016/00	Hose Barb	
24	223/00082/00	Pressure Hose	
25	209/00243/00	Thermostat	
26	207/00008/00	Screw	
27	203/00006/00	Washer	
28	204/00007/00	Nut	
29	111/00424/00	Pressure Switch Bracket	

Electrical Component Mounting Plate - PC30

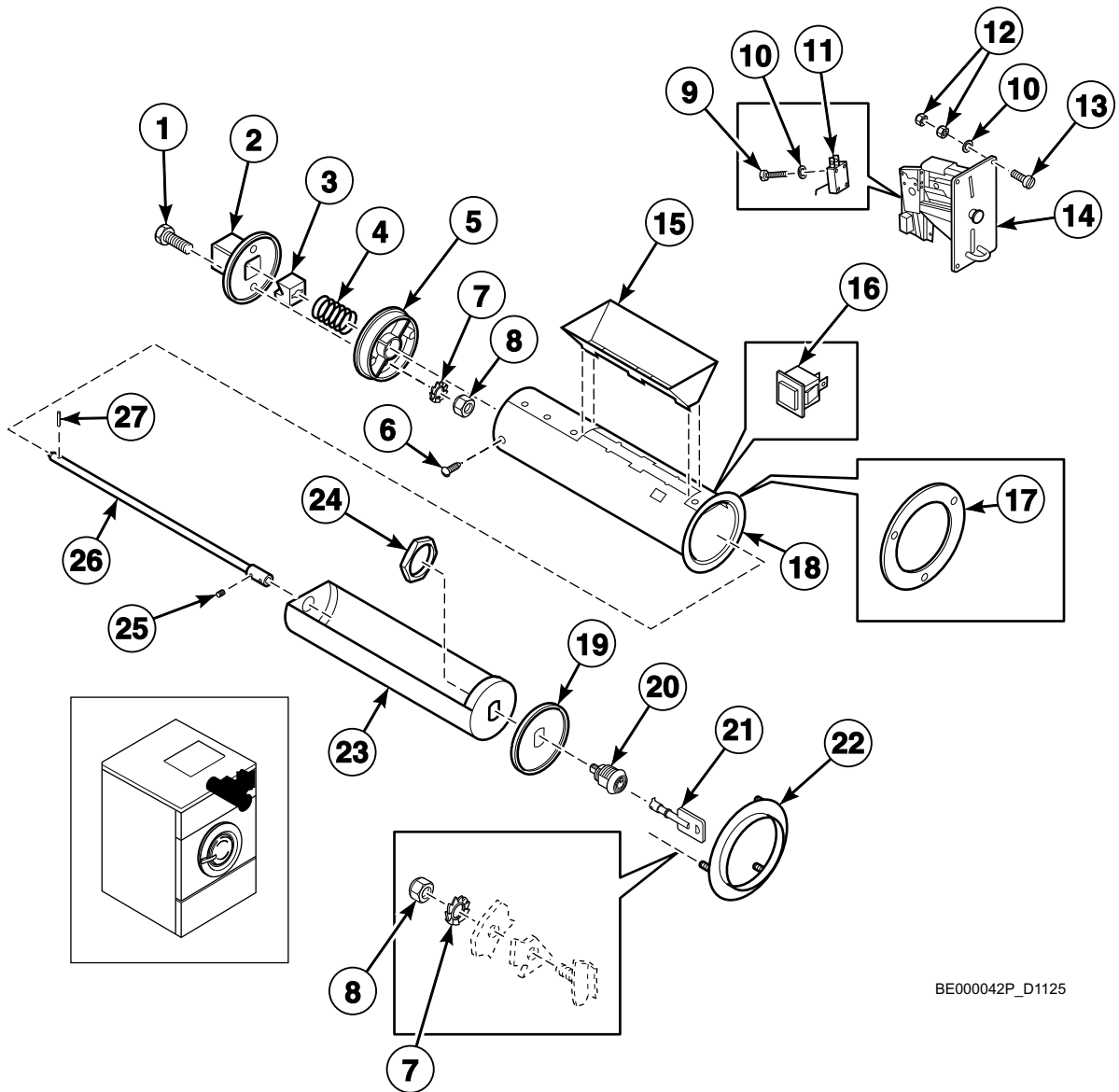


BE000041P_D1125

Electrical Component Mounting Plate - PC30

REF	PART NO.	DESCRIPTION	COMMENTS
1	206/00099/00	Bolt	
2	111/00139/01	Assembly Cover Plate	HF65 and HF76 models
	111/00140/01	Assembly Cover Plate	HF95 models
3	209/00041/04	Contactactor	LC1D09
	209/00148/02	Contactactor	LC1D18
4	209/00041/03	Contactactor	
5	209/00452/01	Printboard	
6	209/00452/02	Lug Holder	
7	209/00279/00	Lock	
8	209/00041/05	Contactactor	
9	209/00264/00	Protector	4-6 Amp
	209/00263/00	Protector	2.5-4 Amp
10	209/00323/02	Printboard	
11	204/00116/00	Nut	
12	223/00123/00	Washer	
13	206/00141/00	Separator	
14	203/00007/00	Washer	
15	207/00135/00	Screw	
16	209/00005/00	Terminal Block	
17	204/00007/00	Nut	
18	203/00006/00	Washer	
19	207/00003/00	Screw	
20	223/00198/00	Grommet	
21	211/00120/00	Standoff	
22	209/00275/04	Door Lock Board	
23	204/00005/00	Nut	
24	201/00006/00	Washer	
25	111/00139/00	Assembly Plate	HF65 and HF76 models
	111/00140/00	Assembly Plate	HF95 models
26	223/00011/00	Hose Clamp	
27	223/00015/00	Level Switch Elbow	
28	223/00016/00	Hose Barb	
29	223/00082/00	Pressure Hose	
30	223/00173/00	Pressure Switch Hose Tee	
31	225/10004/00	Thermostat Seal	
32	209/00309/02	Thermostat Assembly	
33	209/00007/50	Pressure Switch	

Coin Meter and Coin Vault

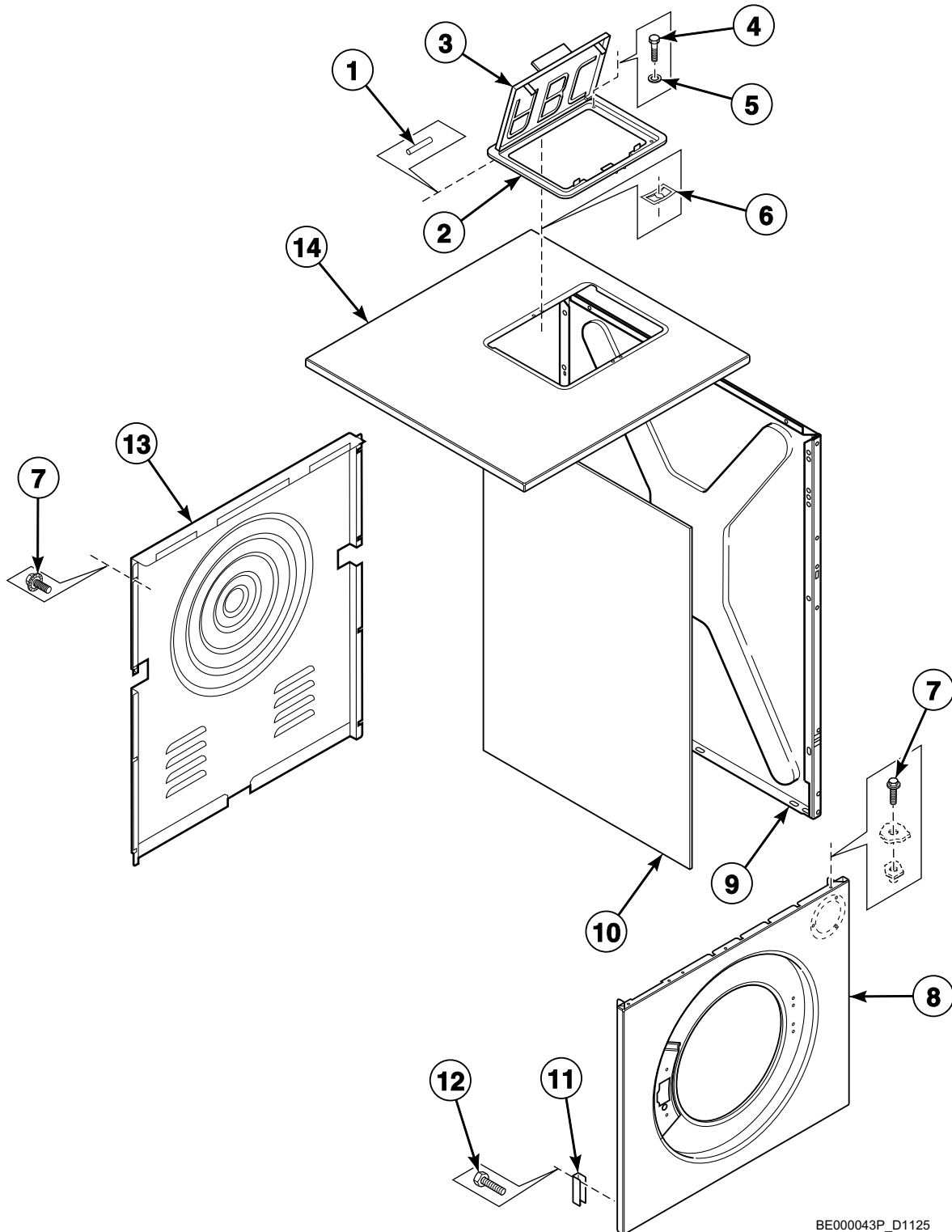


BE000042P_D1125

Coin Meter and Coin Vault

REF	PART NO.	DESCRIPTION	COMMENTS
1	206/00033/00	Bolt	
2	211/00070/01	Outer Cabinet Lock	
3	211/00070/02	Washer	
4	211/00070/04	Spring	
5	211/00070/03	Inner Coin Box	
6	208/00007/00	Screw	
7	203/00004/00	Washer	
8	204/00005/00	Nut	
9	207/00009/00	Screw	
10	203/00007/00	Washer	
11	209/00060/00	Coin Drop	
12	204/00008/00	Nut	
13	207/00108/00	Screw	
14	209/00305/00	Coin Meter	
15	211/00071/00	Coin Box	
16	209/00396/00	Pushbutton	
17	111/00100/00	Coin Box Ring Assembly	
18	211/00100/00	Outer Coin Box	
19	111/00068/00	Front Plate	
20	211/00065/00	Coin Box Lock	
21	211/00065/02	Coin Box Key	
22	111/00066/00	Coin Box Ring	
23	111/00067/00	Coin Box	
24	211/00065/01	Nut	
25	206/00038/00	Screw	
26	111/00069/00	Spindle	
27	208/00013/00	Roll Pin	

Right Side, Front, Lower Rear and Top Panels

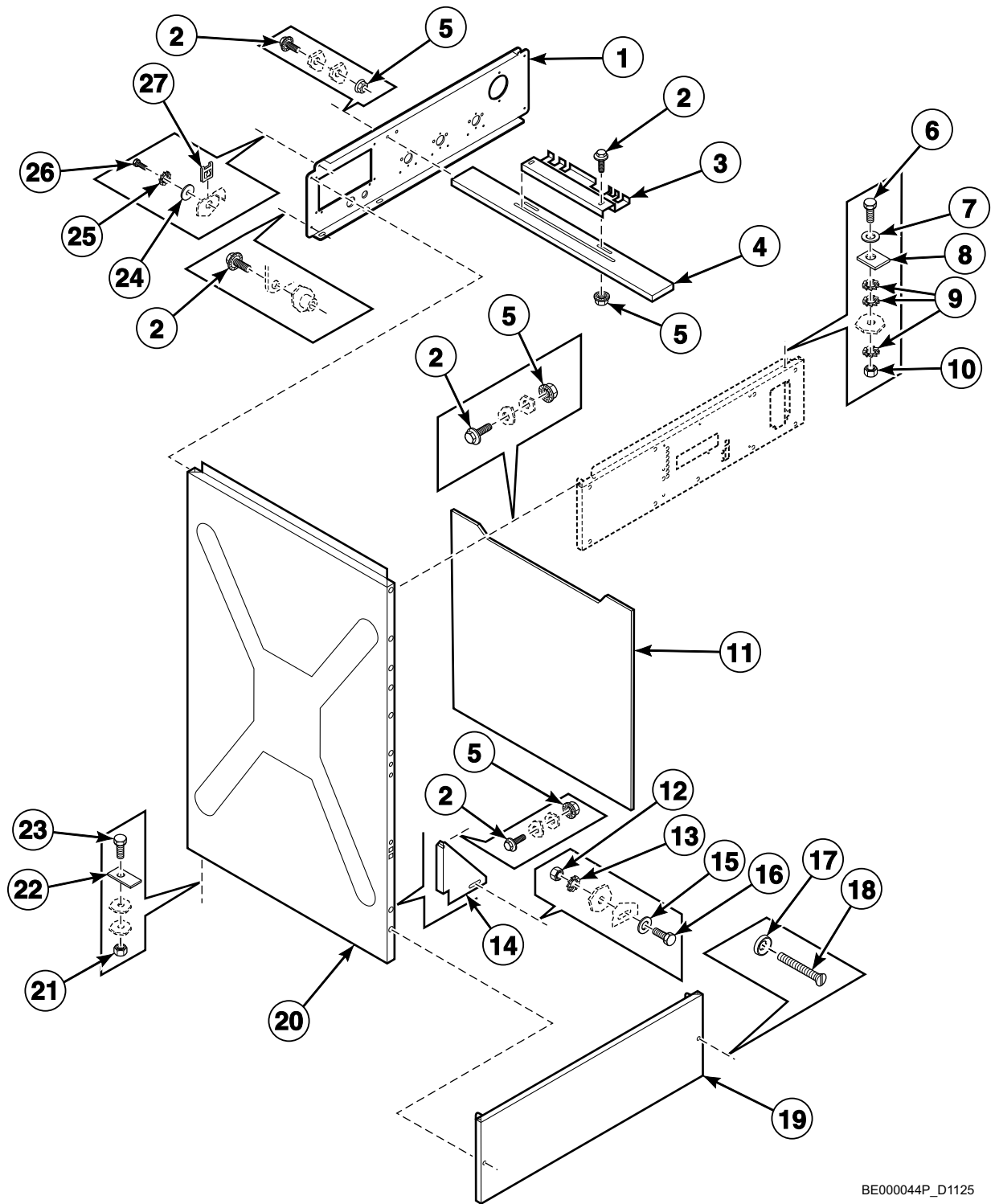


BE000043P_D1125

Right Side, Front, Lower Rear and Top Panels

REF	PART NO.	DESCRIPTION	COMMENTS
1	223/00103/04	Soap Dispenser Cover Hinge Rod	2 required
2	223/00103/03	Soap Dispenser Frame	
3	223/00103/01	Soap Dispenser Cover	
4	205/00105/00	Bolt	
5	202/00101/00	Washer	
6	208/00104/00	Nut	
7	206/00099/00	Bolt	
8	111/00147/00	Lower Front Panel	OPL; Stainless steel
	111/03148/00	Lower Front Panel	Coin; Epoxy
	111/00148/00	Lower Front Panel	Coin; Stainless steel
9	111/32123/00	Side Panel	HF65 and HF76 models; Stainless steel
	111/33123/00	Side Panel	HF65 and HF76 models; Epoxy
	111/00136/00	Side Panel	HF95 models; Stainless steel
	111/03136/00	Side Panel	HF95 models; Epoxy
10	246/00079/00	Side Panel Gasket	
11	111/10089/01	Reinforcement Plate	
12	206/00114/00	Bolt	
13	111/00055/BO	Rear Panel	
14	111/32141/00	Top Panel	HF65 and HF76 models; Stainless steel
	111/33141/00	Top Panel	HF65 and HF76 models; Epoxy
	111/32141/BO	Top Panel	HF65 and HF76 models; Lock
	111/32105/00	Top Panel	HF95 models; Stainless steel
	111/33105/00	Top Panel	HF95 models; Epoxy

Left Side, Lower Front and Upper Back Panels

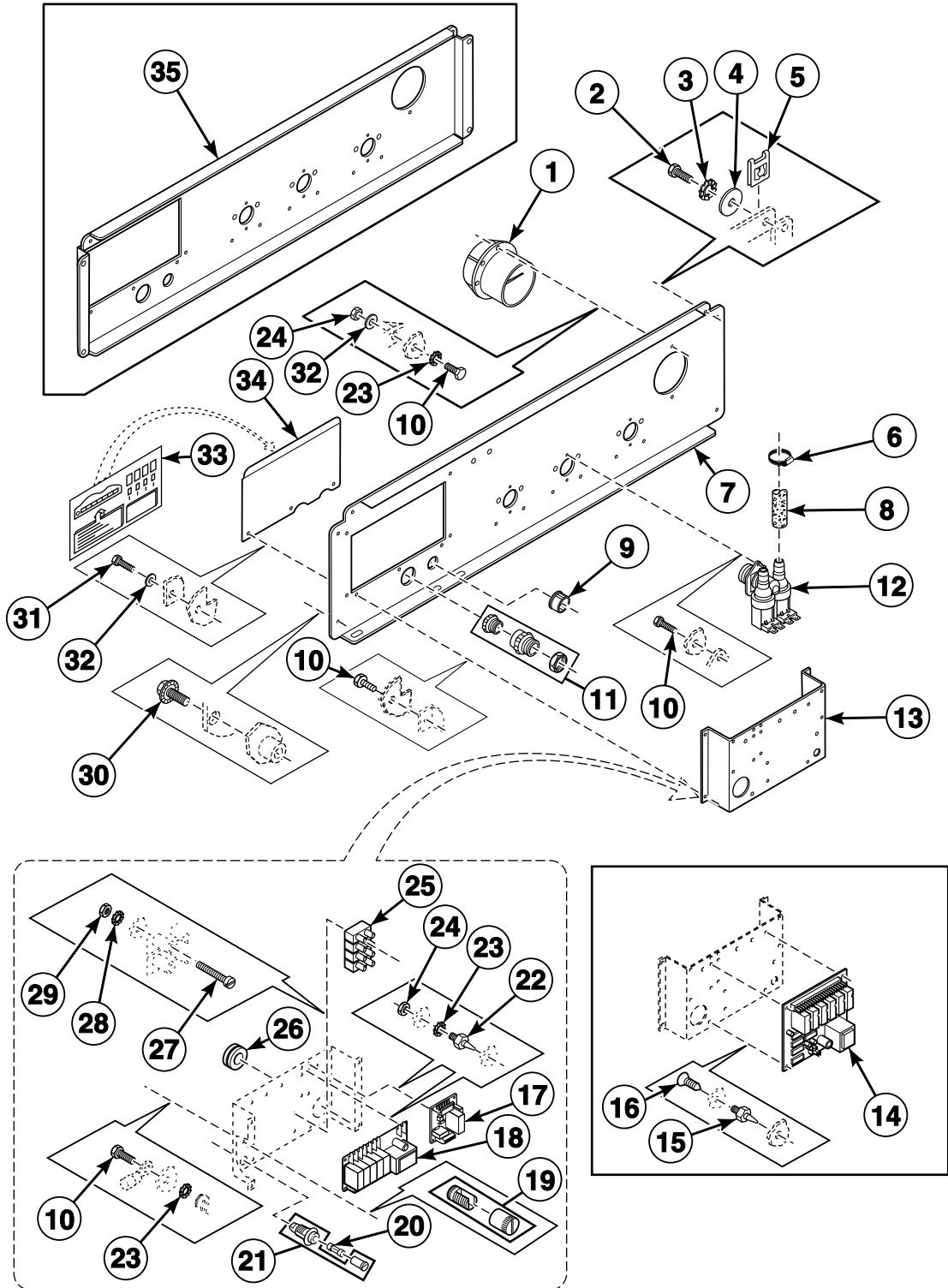


BE000044P_D1125

Left Side, Lower Front and Upper Back Panels

REF	PART NO.	DESCRIPTION	COMMENTS
1	111/01161/10	Backbridge	
2	206/00099/00	Bolt	
3	111/00117/00	Soap Box Support Plate	
4	111/00110/20	Support Plate	HF65 and HF76 models; 1-piece
	111/00110/10	Support Plate	HF65 and HF76 models; 2-piece
	111/00129/10	Support Plate	HF95 models; 2-piece
	111/00129/20	Support Plate	HF95 models; 1-piece
5	206/00101/00	Nut	
6	205/00106/00	Bolt	
7	202/00003/00	Washer	
8	117/00042/00	Retaining Ring	
9	203/00005/00	Washer	
10	204/00006/00	Nut	
11	246/00079/00	Side Panel Gasket	
12	204/00003/00	Nut	
13	203/00002/00	Washer	
14	111/00118/00	Triangle Support	Left
	111/00109/00	Triangle Support	Right
15	201/00010/00	Washer	
16	206/00005/00	Bolt	
17	208/00009/00	Washer	
18	208/00130/00	Screw	
19	111/32131/00	Lower Front Panel	Stainless steel
	111/33131/00	Lower Front Panel	Epoxy
20	111/32123/00	Side Panel	HF65 and HF76 models; Stainless steel
	111/33123/00	Side Panel	HF65 and HF76 models; Epoxy
	111/00136/00	Side Panel	HF95 models; Stainless steel
	111/03136/00	Side Panel	HF95 models; Epoxy
21	204/00004/00	Nut	
22	101/00007/00	Outlet Pipe Plate Assembly	
23	205/00104/00	Bolt	
24	201/00004/00	Washer	
25	203/00015/00	Washer	
26	208/00001/00	Screw	
27	208/00025/00	Nut	

Upper Back Panel - OPL Models

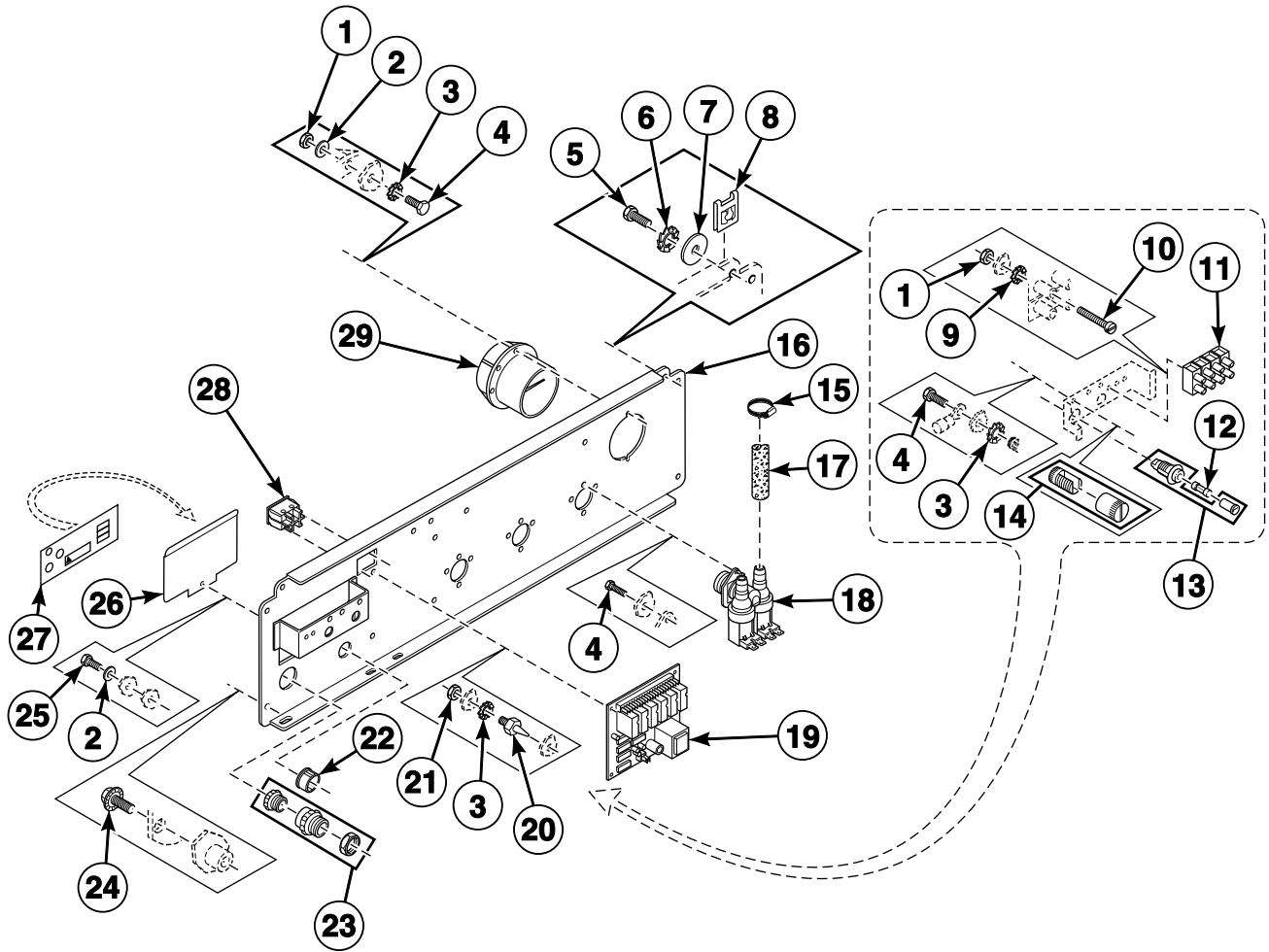


BE000045P_D1125

Upper Back Panel - OPL Models

REF	PART NO.	DESCRIPTION	COMMENTS
1	223/00102/07	Hose Vent	
2	208/00001/00	Screw	
3	203/00015/00	Washer	
4	201/00006/00	Washer	
5	208/00025/00	Nut	
6	223/00010/00	Hose Clamp	
7	111/01161/10	Backbridge	
8	223/00044/00	Water Hose	
9	B12500101	Plug	
10	206/00027/00	Bolt	
11	211/00023/00	Nut	
12	209/00110/00	2-Way Inlet Valve	
13	111/00188/03	Assembly Plate	
14	209/00408/00	Printboard	
15	211/00125/00	Printboard Separator	
16	208/00024/00	Screw	
17	209/00438/00	Central Control Board	
18	209/00218/01	Printboard	
19	209/00006/00	Terminal	
20	209/00195/00	Fuse	
21	209/00202/00	Fuse Holder	
22	211/00120/00	Standoff	
23	203/00006/00	Washer	
24	204/00007/00	Nut	
25	209/00058/00	Terminal Block	
26	225/00027/00	Cable Duct	
27	207/00014/00	Screw	
28	203/00007/00	Washer	
29	204/00008/00	Nut	
30	206/00099/00	Bolt	
31	205/00113/00	Bolt	
32	202/00004/00	Washer	
33	229/00068/00	Sticker	
34	111/00426/01	Electrical Connection Cover	
35	111/01161/20	Backbridge	

Upper Back Panel - Coin Models

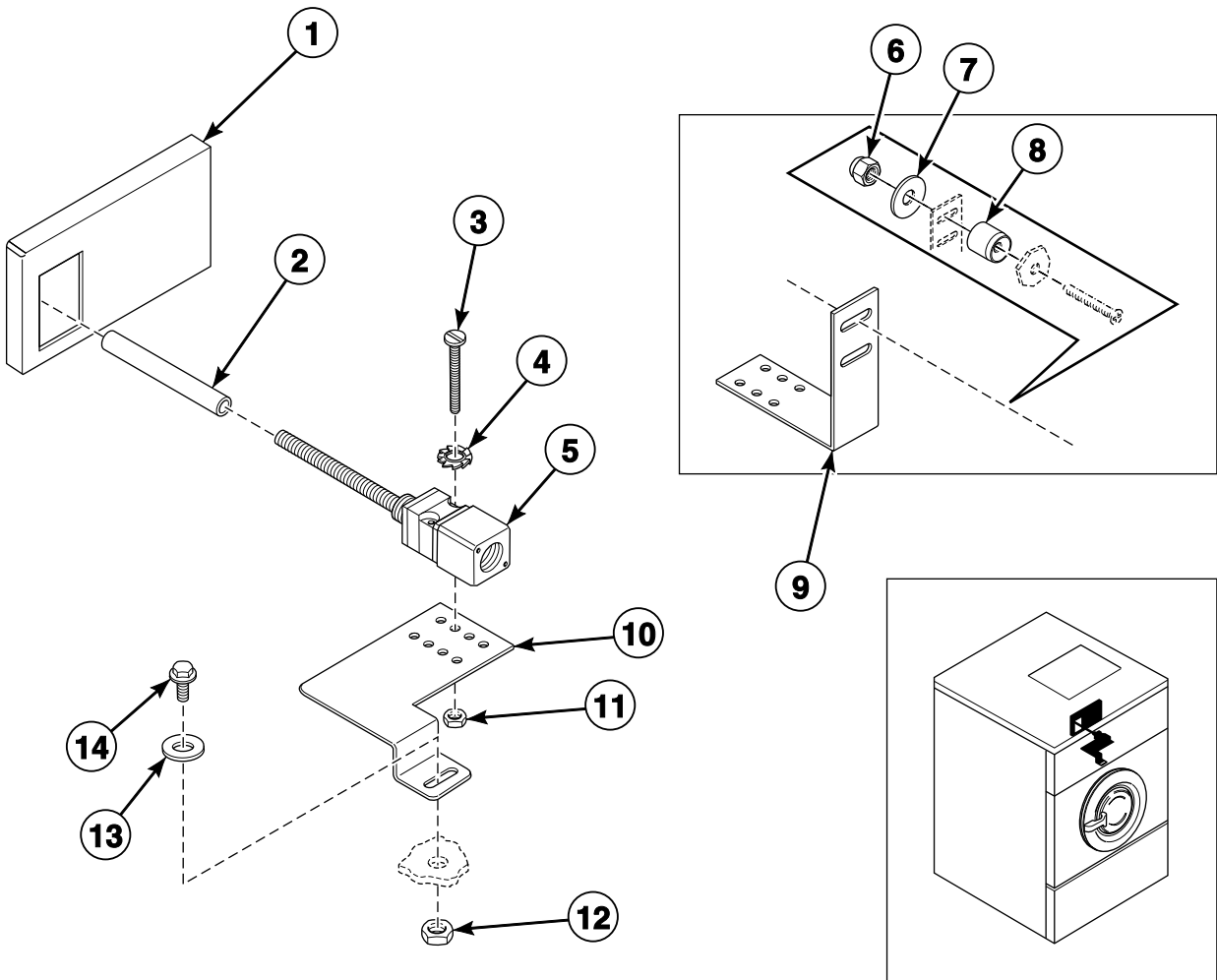


BE000046P_D1125

Upper Back Panel - Coin Models

REF	PART NO.	DESCRIPTION	COMMENTS
1	204/00008/00	Nut	
2	202/00004/00	Washer	
3	203/00006/00	Washer	
4	206/00027/00	Bolt	
5	208/00001/00	Screw	
6	203/00015/00	Washer	
7	201/00006/00	Washer	
8	208/00002/00	Nut	
9	203/00007/00	Washer	
10	207/00014/00	Screw	
11	209/00058/00	Terminal Block	
12	209/00195/00	Fuse	
13	209/00202/00	Fuse Holder	
14	209/00006/00	Terminal	
15	223/00010/00	Hose Clamp	
16	111/31104/00	Backbridge	
17	223/00044/01	Water Hose	
18	209/00110/00	2-Way Inlet Valve	
19	209/00408/00	Printboard	
20	211/00120/00	Standoff	
21	204/00007/00	Nut	
22	211/00087/00	Plug	
23	211/00023/00	Nut	
24	206/00099/00	Bolt	
25	205/00113/00	Bolt	
26	111/00200/00	Cover Plate	
27	229/00068/01	Electrical Connection Sticker	
28	211/00112/00	Button	
29	223/00102/07	Hose Vent	

Balance Switch

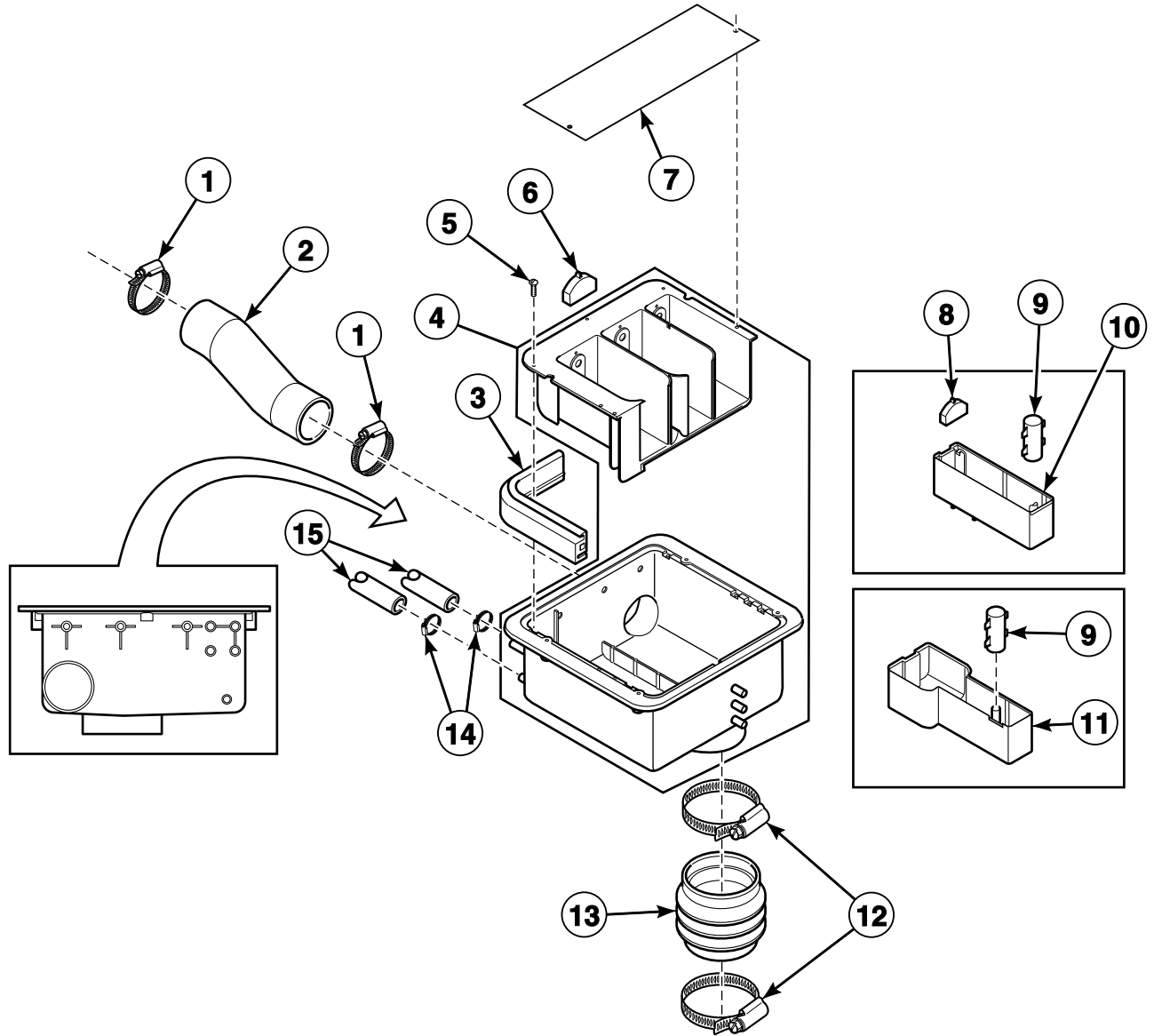


BE000047P_D1125

Balance Switch

REF	PART NO.	DESCRIPTION	COMMENTS
1	111/00108/00	Tilt Detector Plate	
2	223/00201/00	Out-of-Balance Switch Boot	
3	207/00018/00	Screw	
4	203/00006/00	Washer	
5	209/00255/00	Out-of-Balance Switch	
6	204/00114/00	Nut	
7	201/00008/00	Washer	
8	211/10156/00	Program Switch Separator	
9	111/00107/00	Tilt Switch Bracket	
10	111/00107/01	Tilt Switch Bracket	
11	204/00007/00	Nut	
12	204/00005/00	Nut	
13	202/00003/00	Washer	
14	206/00099/00	Bolt	

Supply Dispenser

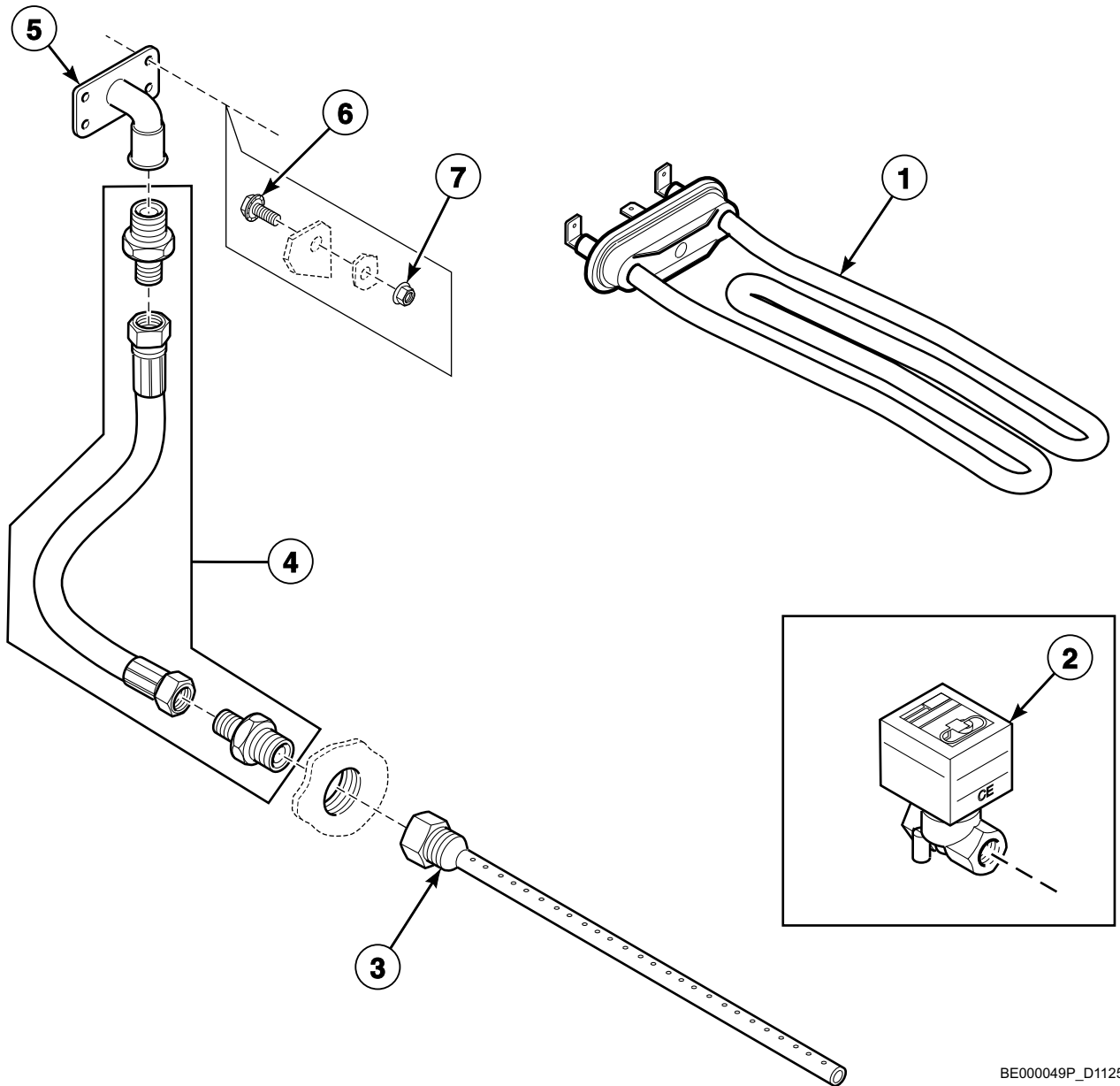


CFD354P_D1125

Supply Dispenser

REF	PART NO.	DESCRIPTION	COMMENTS
1	223/00014/00	Hose Clamp	
2	223/00107/03	Vent Hose	PB3WE55/73
	223/00107/02	Vent Hose	PB3WE110/132
3	223/00109/00	Soap Dispenser Gasket	
4	223/00102/30	Soap Dispenser Assembly	
5	B12347501	Screw	
6	223/00102/06	Soap Spray Nozzle	
7	123/00107/00	Anti-Splash Plate	Sigma control models
	123/00103/06	Soap Box Assembly Plate	All other models
8	223/00102/05	Softener Spray Nozzle	
9	223/00102/04	Soap Dispenser Rinse Siphon	
10	223/00102/03	Rinse Insert	
11	223/00102/08	Liquid Soap Dispenser Insert	
12	223/00023/00	Hose Clamp	
13	223/00115/00	Hose	
14	223/00010/00	Hose Clamp	
15	223/00044/01	Water Hose	

Electric and Steam Heating Options

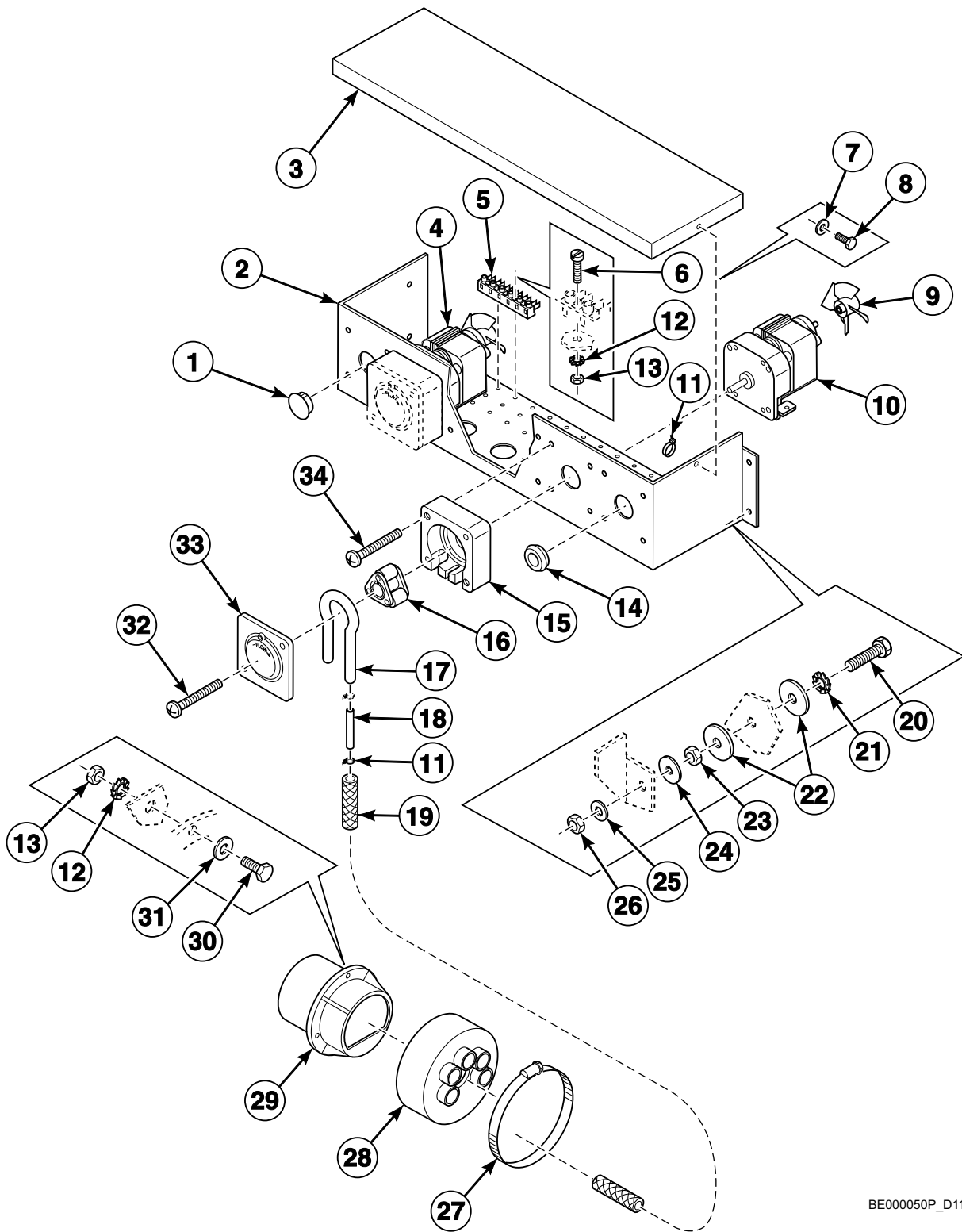


BE000049P_D1125

Electric and Steam Heating Options

REF	PART NO.	DESCRIPTION	COMMENTS
1	209/00116/01	Heating Element	1400W; 220 Volt
	209/00024/01	Heating Element	2000W; 220 Volt
	209/00049/01	Heating Element	3000W; 220 Volt
	209/00050/01	Heating Element	4000W; 380 Volt
2	209/00189/00	Steam Valve	
3	118/00062/00	Steam Injector	
4	217/00025/00	Steam Hose	
5	118/00109/00	Steam Inlet	
6	206/00099/00	Bolt	
7	206/00101/00	Nut	

Soap Pump

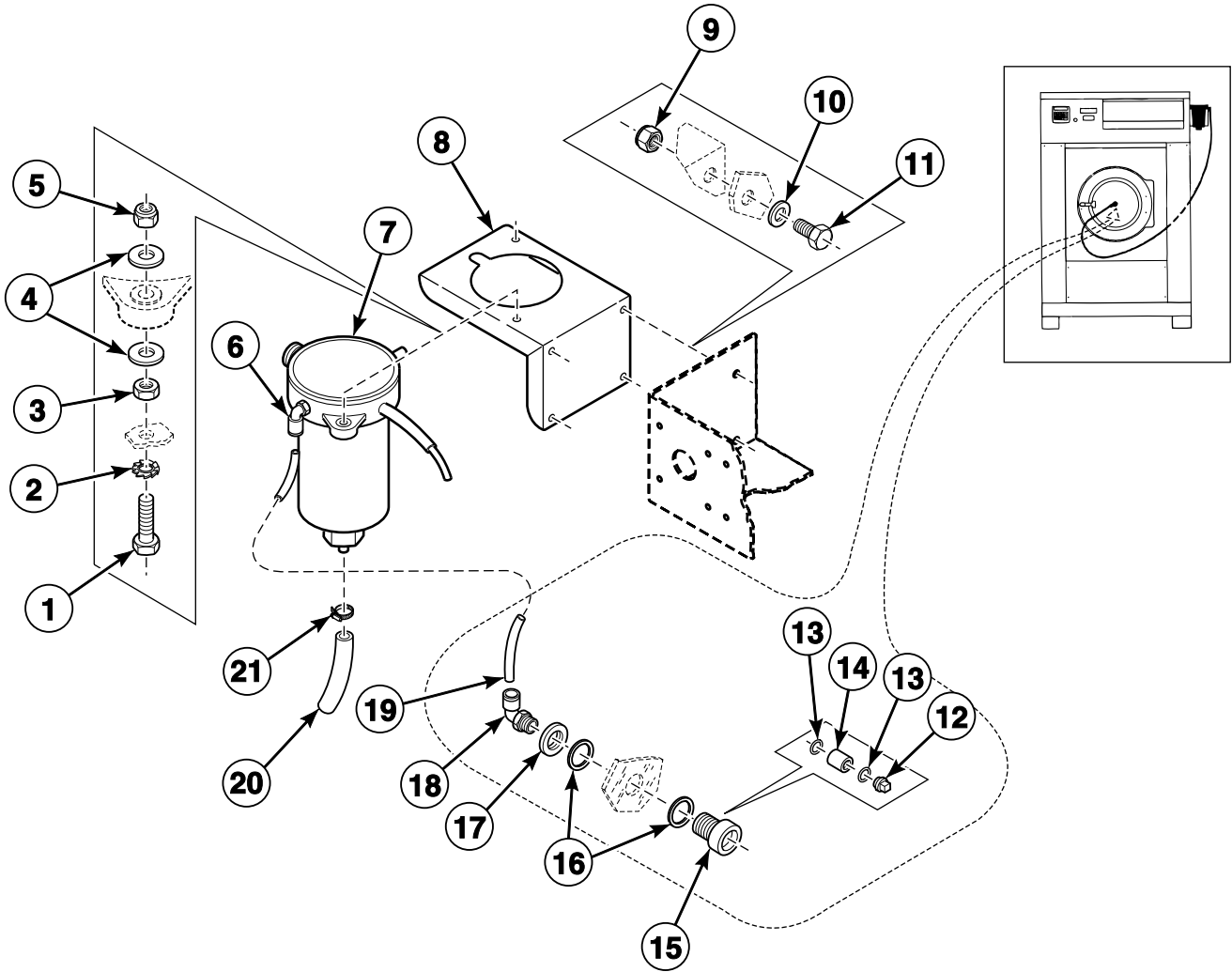


BE000050P_D1125

Soap Pump

REF	PART NO.	DESCRIPTION	COMMENTS
1	211/00087/00	Plug	
2	111/00190/00	Pump Assembly Plate	
3	111/00190/01	Pump Top Plate	
4	209/00413/00	Detergent Pump	
5	210/10007/00	Connection	
6	207/00003/00	Screw	
7	202/00109/00	Washer	
8	205/00113/00	Bolt	
9	209/00413/08	Motor	
10	209/00413/06	Fan Motor	
11	211/00088/00	Cable Tie	
12	203/00006/00	Washer	
13	204/00007/00	Nut	
14	223/00198/00	Grommet	
15	209/00413/10	Pump Housing	
16	209/00413/07	Pressure Roller	
17	209/00413/03	Hose	
18	223/00180/01	Hose	
19	223/00179/00	Soap Injector Hose	
20	205/00103/00	Bolt	
21	203/00004/00	Washer	
22	202/00108/00	Washer	
23	204/00005/00	Nut	
24	202/00106/00	Washer	
25	202/00101/00	Washer	
26	204/00009/00	Nut	
27	223/00014/00	Hose Clamp	
28	223/00160/00	Liquid Soap Hose	
29	223/00102/07	Hose Vent	
30	206/00027/00	Bolt	
31	202/00004/00	Washer	
32	209/00413/05	Screw	
33	209/00413/09	Cover Plate	
34	209/00413/04	Screw	

Liquid Supply Pump



BE000068P_D1125

Liquid Supply Pump

REF	PART NO.	DESCRIPTION	COMMENTS
1	205/00103/00	Bolt	
2	203/00004/00	Washer	
3	204/00106/00	Nut	
4	202/00101/00	Washer	
5	204/00009/00	Nut	
6	223/00181/00	Soap Injector Elbow Coupling	
7	209/00369/00	Liquid Soap Spray Pump	
8	111/10179/00	Spray Pump Mounting Plate	
9	204/00009/00	Nut	
10	201/00007/00	Washer	
11	205/00107/00	Bolt	
12	223/00178/00	Soap Injector Orifice	
13	223/00177/00	O-Ring	
14	211/00126/00	Soap Injector Orifice Nipple	
15	211/00127/00	Soap Injector Connector	
16	223/00176/00	O-Ring	
17	211/10106/00	Nut	
18	223/00182/00	Soap Injector Coupling	
19	223/00180/00	Soap Injector Hose	
20	223/00179/10	Pressure Hose	
21	211/00088/00	Cable Tie	