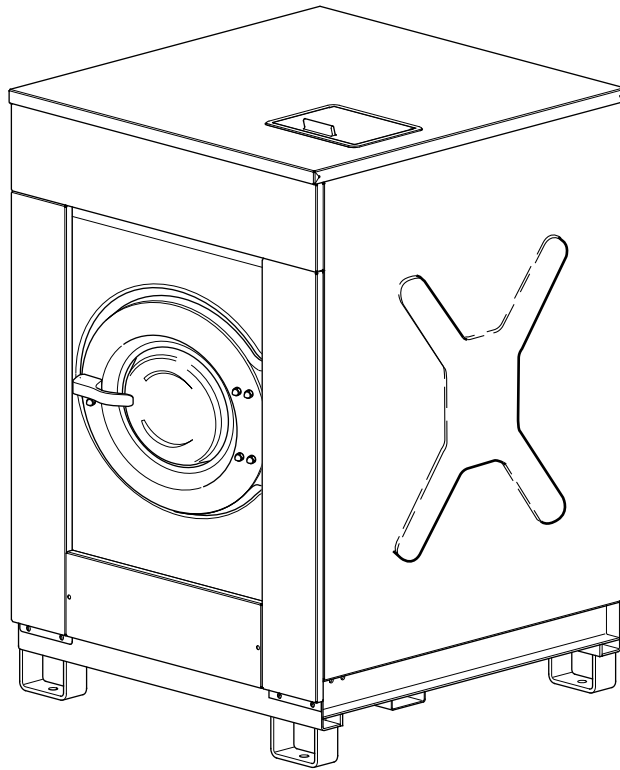


Washer-Extractor

Refer to Page 3 for Model Numbers



CFD22C_D0341

Model Identification



Information in this manual is applicable to these washer-extractor models:

HF450_PC30
HF450_PS40
HF450_PS40F

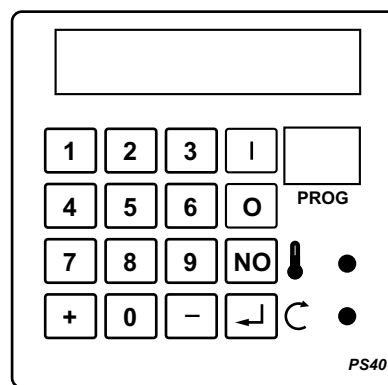
HF570_PC30
HF570_PS40
HF570_PS40F

Cabinet Freestanding Washer-Extractor Product Overview

1 2

Type:	HF450P	Nr:	07110580147
Voltage:	3 ~ 380V 50Hz	Weight:	1787 kg
Motor:	7.5 kW 20 A	Capacity:	575 L
Heating:	36 kW 60 A	Dry Load:	57 kg
Total:	43.50 kW	Drum:	980 mm
Kinetic energy:	23257N/M	Speed:	800 rpm
Manufactured in:	2007		
Water Pressure: min. 2.07 max. 5.86 Kg/cm ² IPX4 min. 20.7 max. 58.6 N/cm ²			
sfc 741295			
 Alliance International BVBA Nieuwstraat 146 8560 Wevelgem Belgium Tel: +32 56 41 20 54 Fax: +32 56 41 86 74 www.ipsobelgium.be			

Label 1



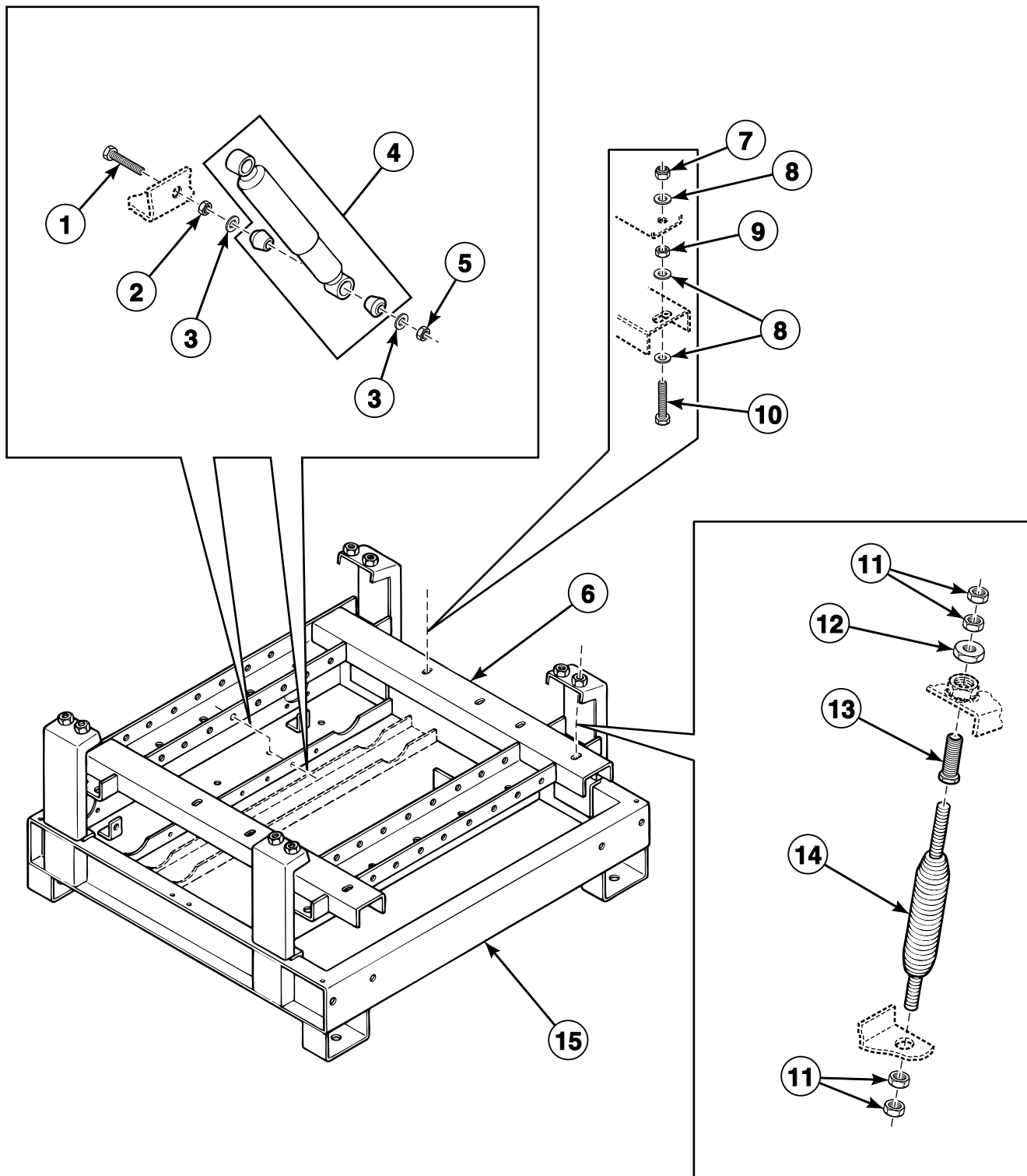
PS40

CFD304P_D0341

Cabinet Freestanding Washer-Extractor Product Overview

REF	PART NO.	DESCRIPTION	COMMENTS
1	-	Product Family	HF
2	-	Capacity	450 570

Base and Shock Absorber

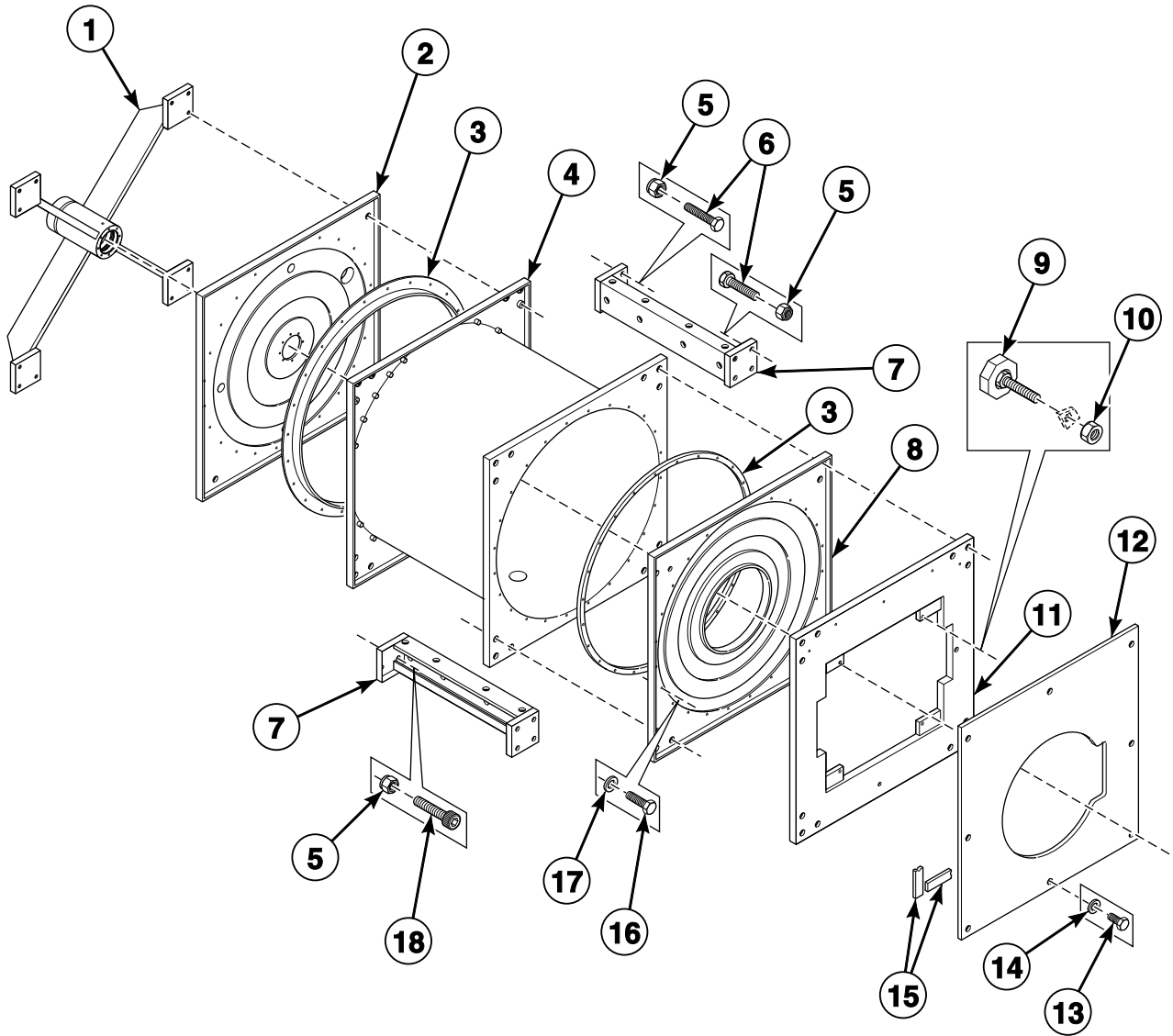


BE000051P_D0341

Base and Shock Absorber

REF	PART NO.	DESCRIPTION	COMMENTS
1	206/00045/00	Bolt	
2	204/00001/00	Nut	
3	201/00013/00	Washer	
4	247/00008/00	Shock Absorber	
5	204/00112/00	Nut	
6	153/00011/00	Tub Support	HF450 models
	153/00012/00	Tub Support	HF570 models
7	204/00113/00	Nut	
8	201/00001/00	Washer	
9	204/00019/00	Nut	
10	206/00070/00	Bolt	
11	204/00012/00	Nut	
12	204/00016/00	Nut	
13	224/00046/00	Bolt	
14	B12456301	Suspension Spring	
15	153/00009/00	Frame	HF450 models
	153/00010/00	Frame	HF570 models

Shell

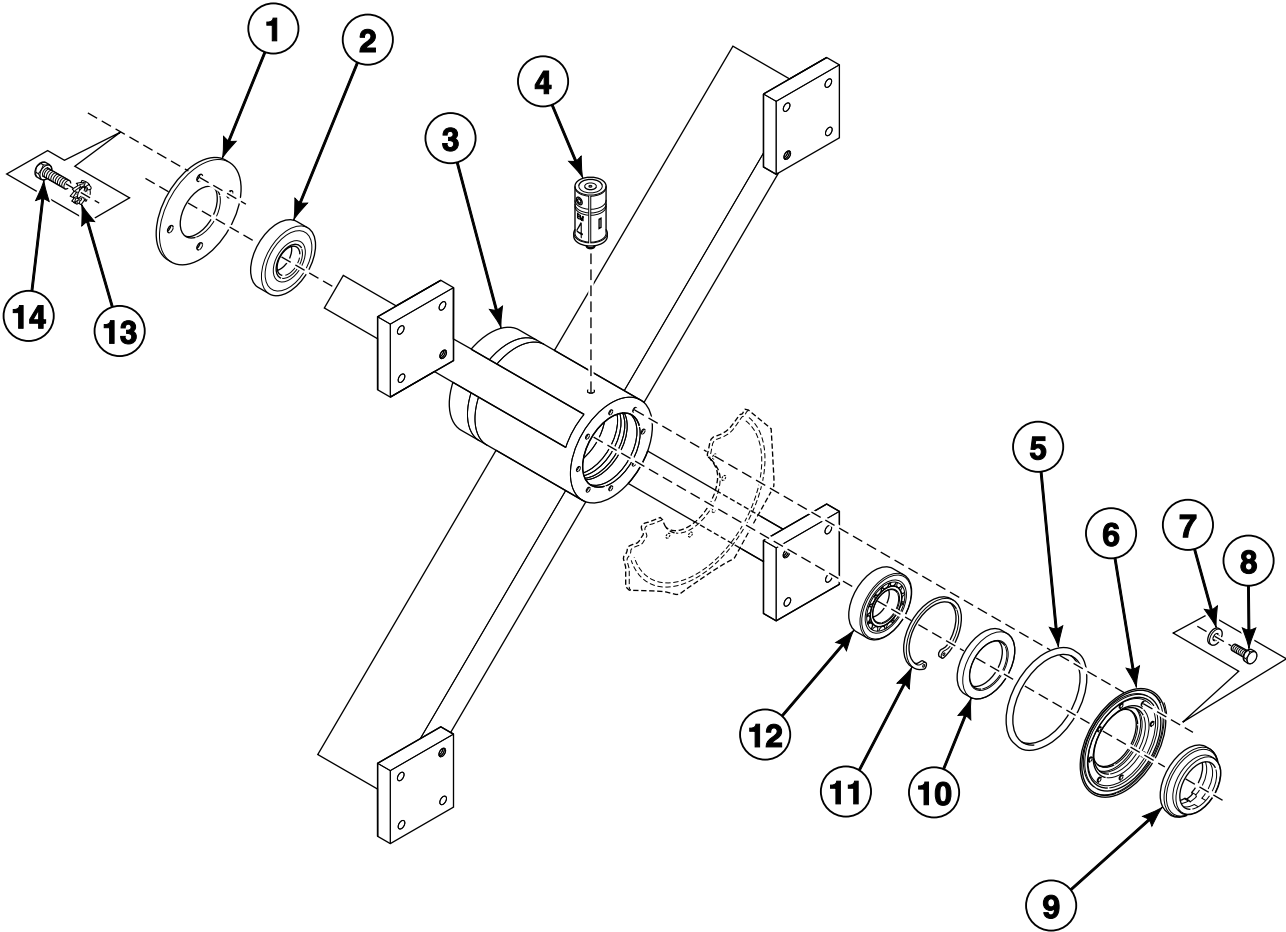


BE000052P_D0341

Shell

REF	PART NO.	DESCRIPTION	COMMENTS
1	253/00002/00	Bearing Housing	
2	153/00014/00	Back Panel	
3	223/00168/00	Tub Gasket	
4	153/00019/00	Tub	HF450 models
	153/00020/00	Tub	HF570 models
5	204/00113/00	Nut	
6	206/00122/00	Bolt	
7	153/00022/00	Tub Support	HF450 models
	153/00023/00	Tub Support	HF570 models
8	153/00013/00	Front Panel	
9	252/00006/00	Leveling Leg	
10	204/00003/00	Nut	
11	153/00004/00	Counterweight	
12	153/00101/00	Front Panel Plate	
13	205/00102/00	Bolt	
14	202/00105/00	Washer	
15	246/00092/00	Gasket	
16	205/00105/00	Bolt	
17	202/00110/00	Washer	
18	206/00125/00	Screw	

Bearing Housing

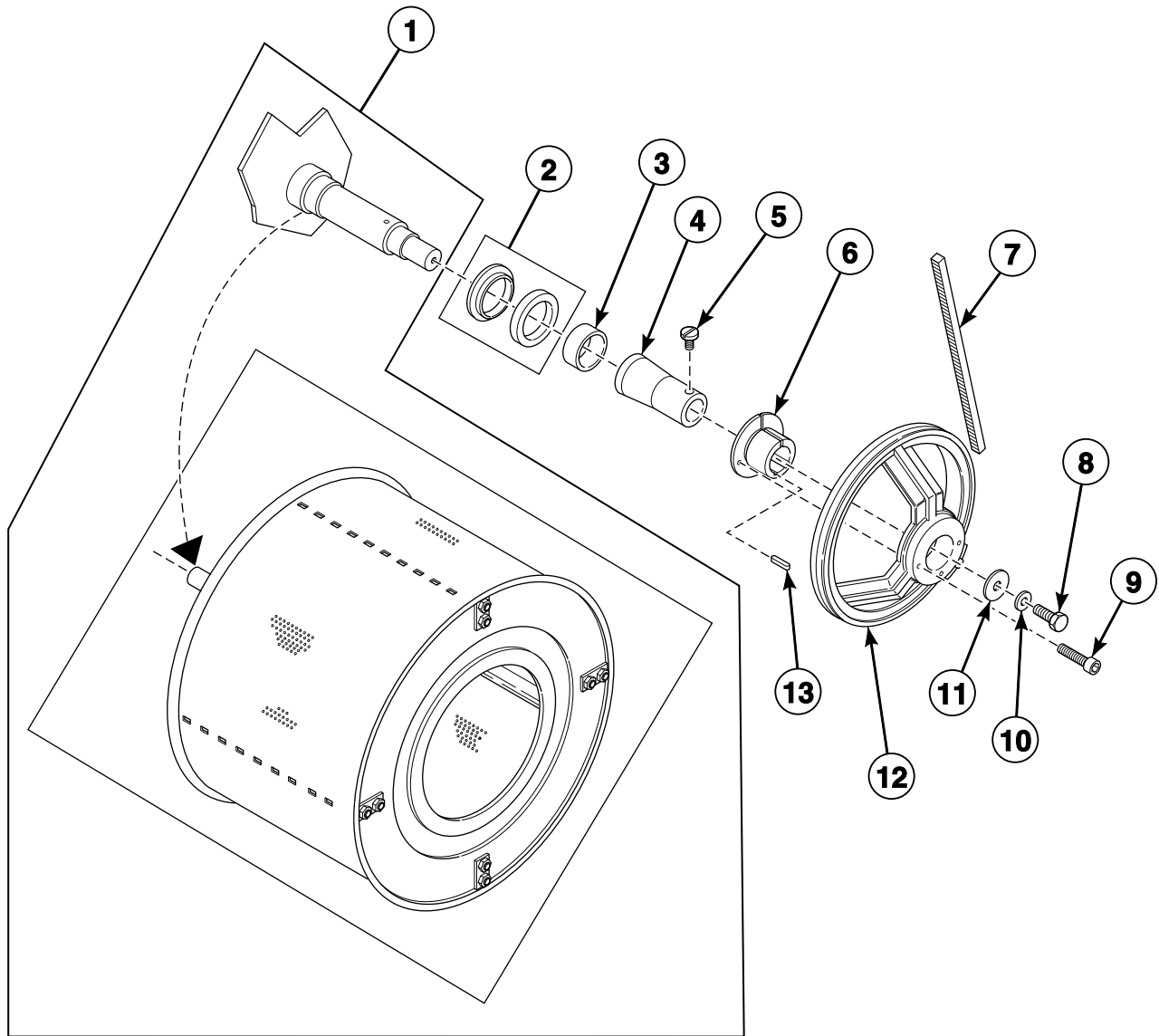


BE000053AP_D0341

Bearing Housing

REF	PART NO.	DESCRIPTION	COMMENTS
1	153/00041/00	Bearing Cover Plate	
2	212/00004/00	Ball Bearing	
3	253/00002/00	Bearing Housing	
4	212/00002/00	Lubricator	
5	231/00036/00	O-Ring	
6	131/00035/00	Seal Cover Plate	
7	201/00202/00	Washer	
8	205/00104/00	Bolt	
9	231/00037/00	Shaft Seal	
10	253/00009/00	Grease Ring	
11	253/00008/00	Cerclips	
12	253/00007/00	Bearing	
13	203/00002/00	Washer	
14	206/00006/00	Bolt	

Basket, Pulley and Belt

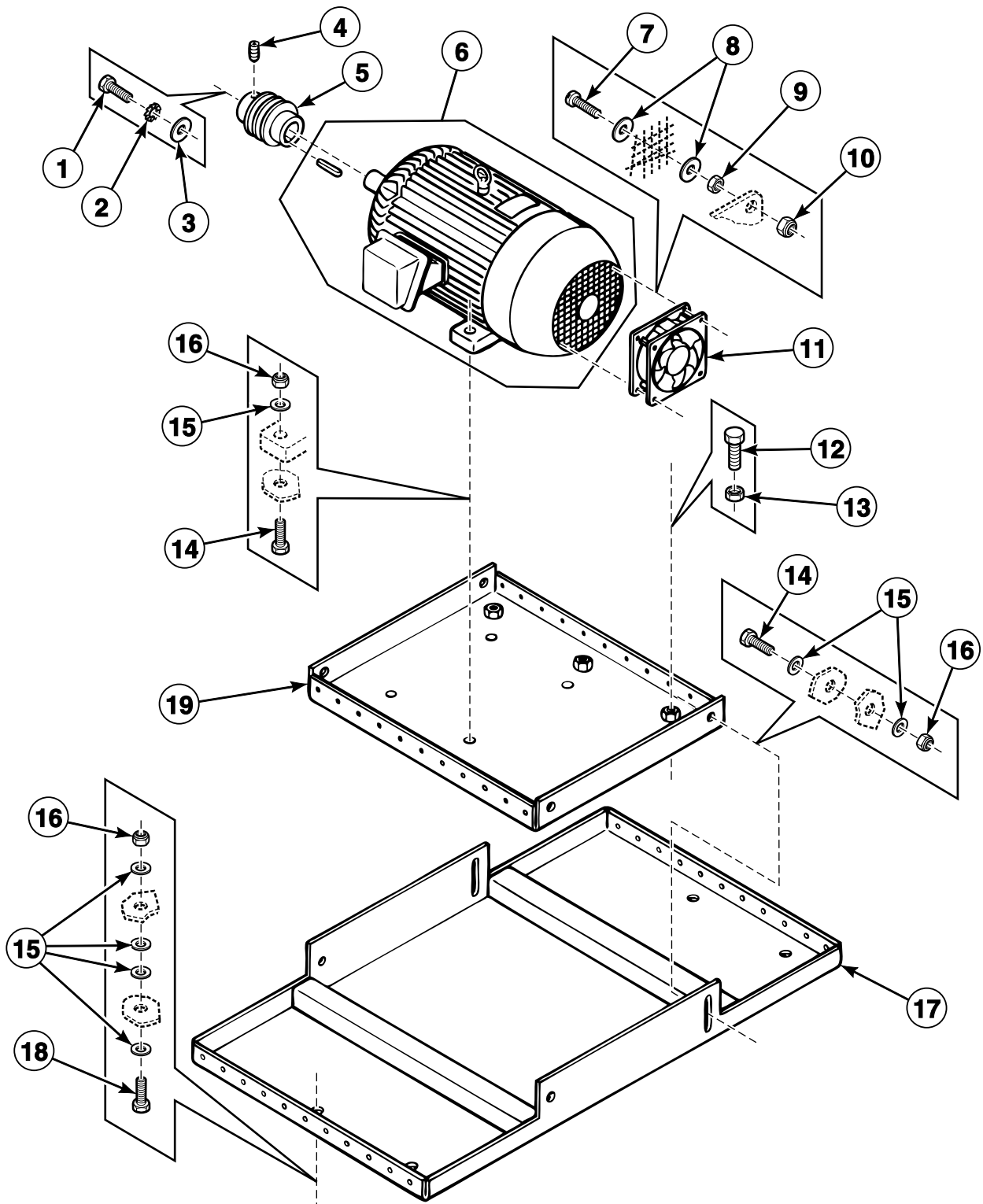


BE000054P_D0341

Basket, Pulley and Belt

REF	PART NO.	DESCRIPTION	COMMENTS
1	153/00035/00	Drum and Axle	HF450 models
	153/00036/00	Drum and Axle	HF570 models
2	232/00008/00	Counter Ring	
3	253/00007/00	Bearing	
4	153/00005/00	Pipe	
5	207/00110/00	Screw	
6	212/00009/01	Pulley Hub	
7	253/00010/00	V-Belt	2280 mm long; Used with 253/00013/00 Pulley and B12511401 Motor
	226/00116/00	V-Belt	2300 mm long; Used with 253/00024/00 Pulley and 227/00132/00 Motor
8	206/00004/00	Bolt	
9	212/00009/02	Bolt	
10	203/00001/00	Washer	
11	201/00011/00	Washer	
12	226/00090/00	Pulley	
	253/00026/01	Pulley	Includes clamping bushing
13	212/00026/00	Key	

Motor

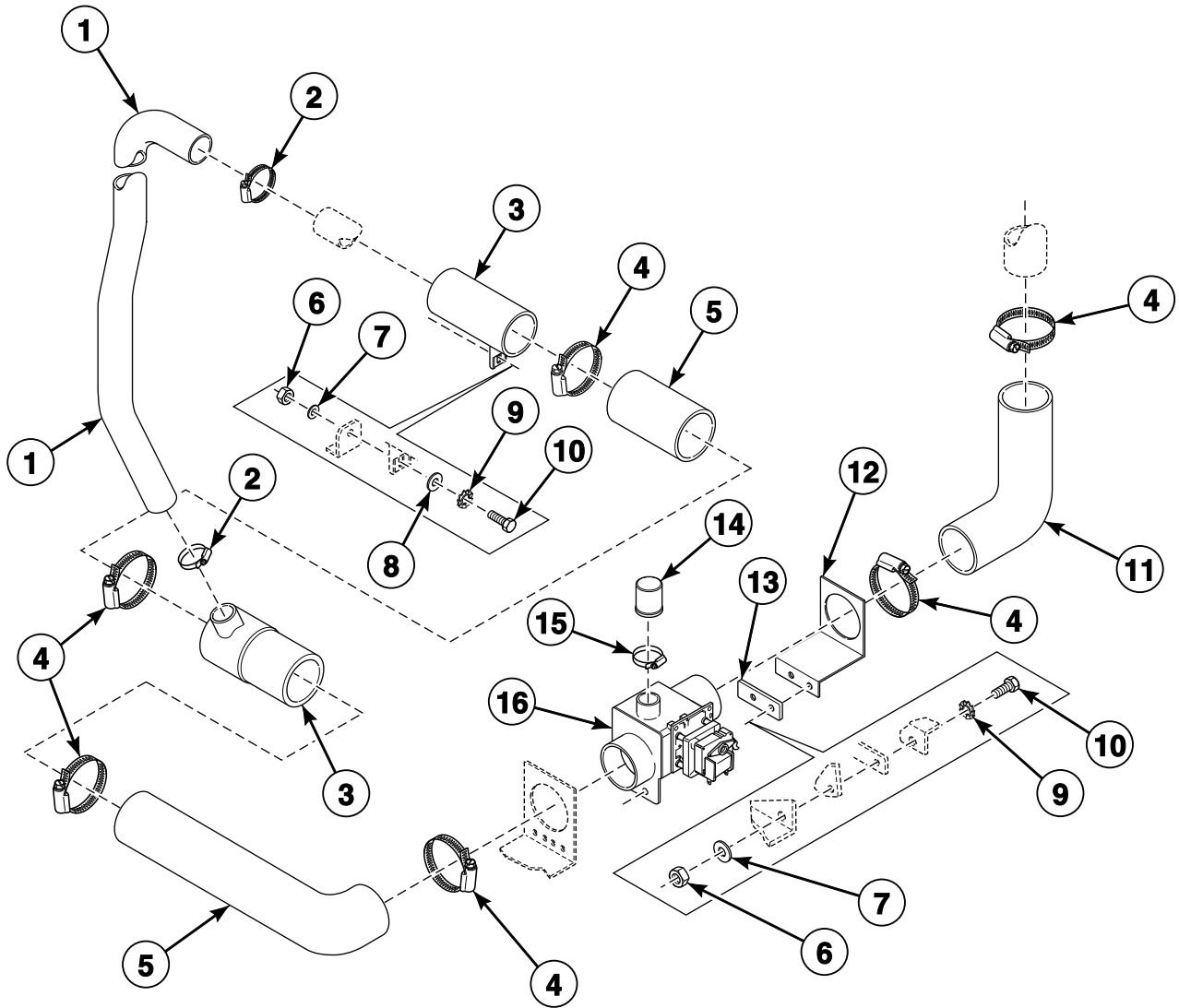


BE000055P_D0341

Motor

REF	PART NO.	DESCRIPTION	COMMENTS
1	206/00004/00	Bolt	
2	203/00001/00	Washer	
3	201/00011/00	Washer	
4	206/00031/00	Screw	
5	253/00013/00	Pulley	Used with 253/00010/00 Belt and B12511401 Motor
	253/00024/00	Pulley	Used with 226/00116/00 Belt and 227/00132/00 Motor
6	B12511401	Motor	Used with 253/00010/00 Belt and 253/00013/00 Pulley
	227/00132/00	Motor	Used with 226/00116/00 Belt and 253/00024/00 Pulley
7	207/00003/00	Screw	
8	201/00008/00	Washer	
9	204/00007/00	Nut	
10	204/00114/00	Nut	
11	209/00287/00	Cooling Fan	
12	206/00122/00	Bolt	
13	204/00012/00	Nut	
14	248/00114/00	Bolt	
15	201/00001/00	Washer	
16	204/00113/00	Nut	
17	153/00024/00	Motor Plate	
18	206/00072/00	Bolt	
19	153/00025/00	Motor Plate	

Drain Plumbing - Single Drain

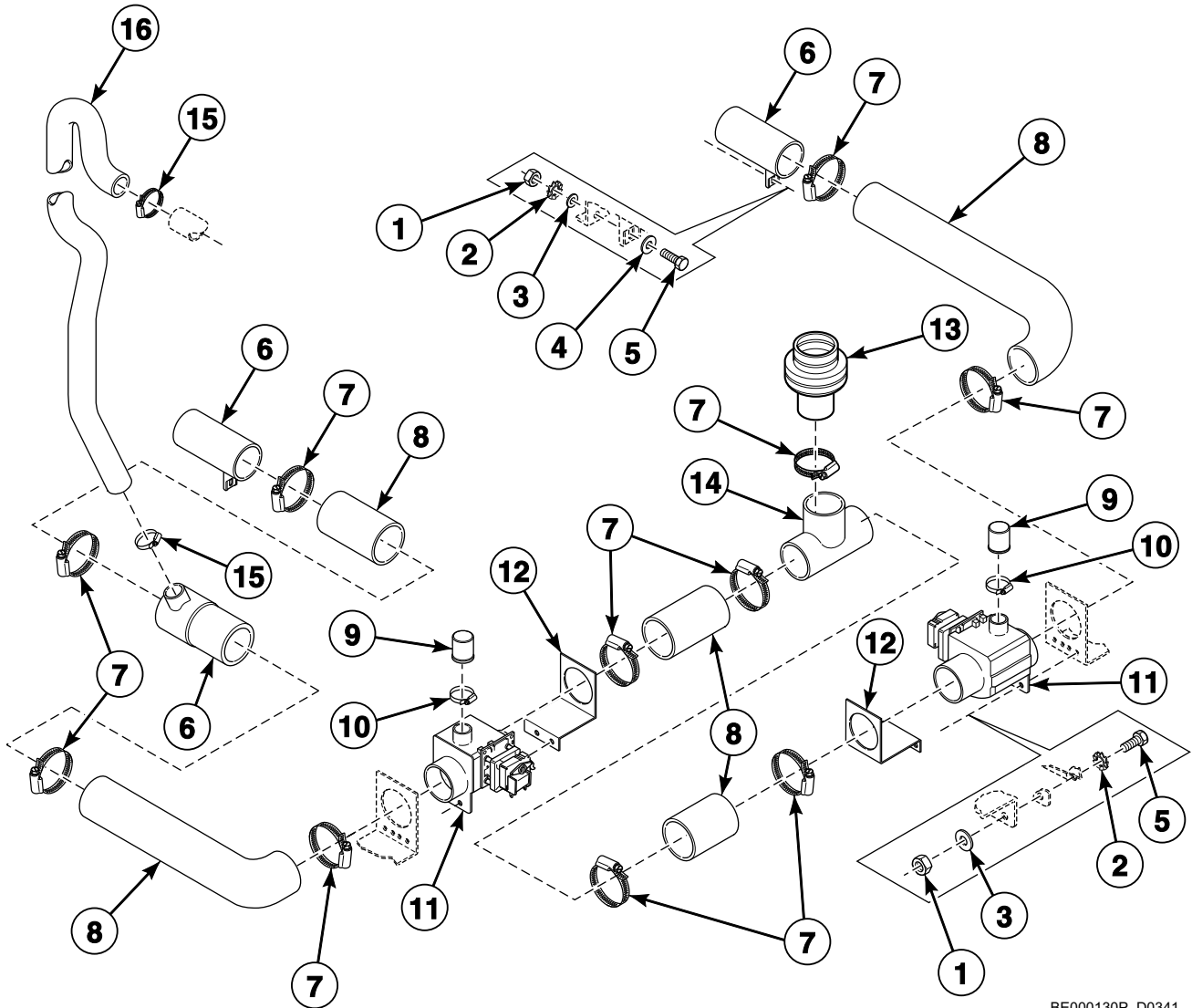


BE000056P_D0341

Drain Plumbing - Single Drain

REF	PART NO.	DESCRIPTION	COMMENTS
1	223/00184/00	Overflow Hose	
2	223/00013/00	Hose Clamp	
3	223/00106/00	Drain Pipe	
4	223/00071/00	Hose Clamp	
5	223/00141/00	Drain Valve to Drain Pipe Hose	
6	204/00004/00	Nut	
7	202/00002/00	Washer	
8	201/00010/00	Washer	
9	203/00003/00	Washer	
10	206/00009/00	Bolt	
11	223/00133/00	Drain Tub to Drain Valve Hose	
12	115/00147/00	Drain Valve Plate Assembly	
13	115/00147/01	Drain Valve Plate Assembly	
14	223/00086/00	Drain Valve Overflow Plug	
15	223/00012/00	Hose Clamp	
16	209/00075/00	Drain Valve	NO
	209/00171/00	Drain Valve	NC

Drain Plumbing - Dual Drain

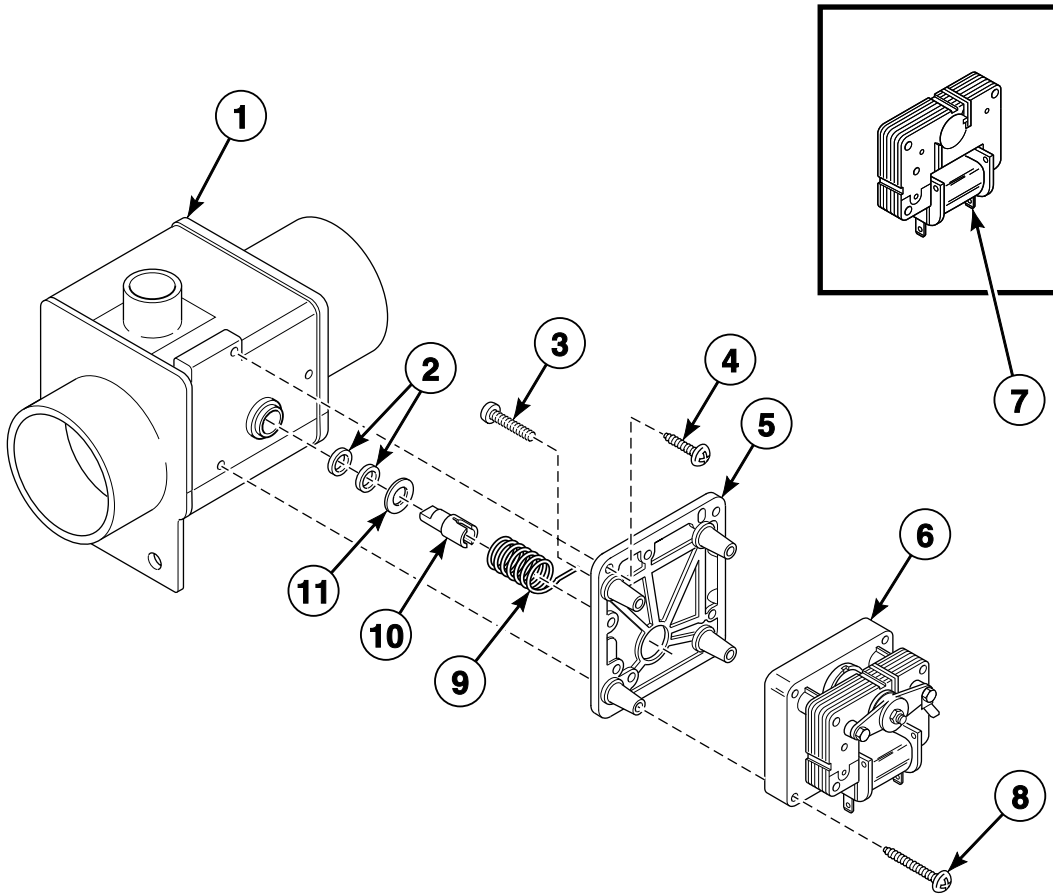


BE000130P_D0341

Drain Plumbing - Dual Drain

REF	PART NO.	DESCRIPTION	COMMENTS
1	204/00004/00	Nut	
2	203/00003/00	Washer	
3	202/00002/00	Washer	
4	201/00010/00	Washer	
5	206/00009/00	Bolt	
6	223/00106/00	Drain Pipe	
7	223/00071/00	Hose Clamp	
8	223/00141/00	Drain Valve to Drain Pipe Hose	
9	223/00086/00	Drain Valve Overflow Plug	
10	223/00012/00	Hose Clamp	
11	209/00075/00	Drain Valve	
12	115/00147/00	Drain Valve Plate Assembly	
13	223/00170/00	Exhaust Valve Hose	
14	253/00028/00	T-Piece	
15	223/00013/00	Hose Clamp	
16	223/00184/00	Overflow Hose	

Drain Valve - Normally Open

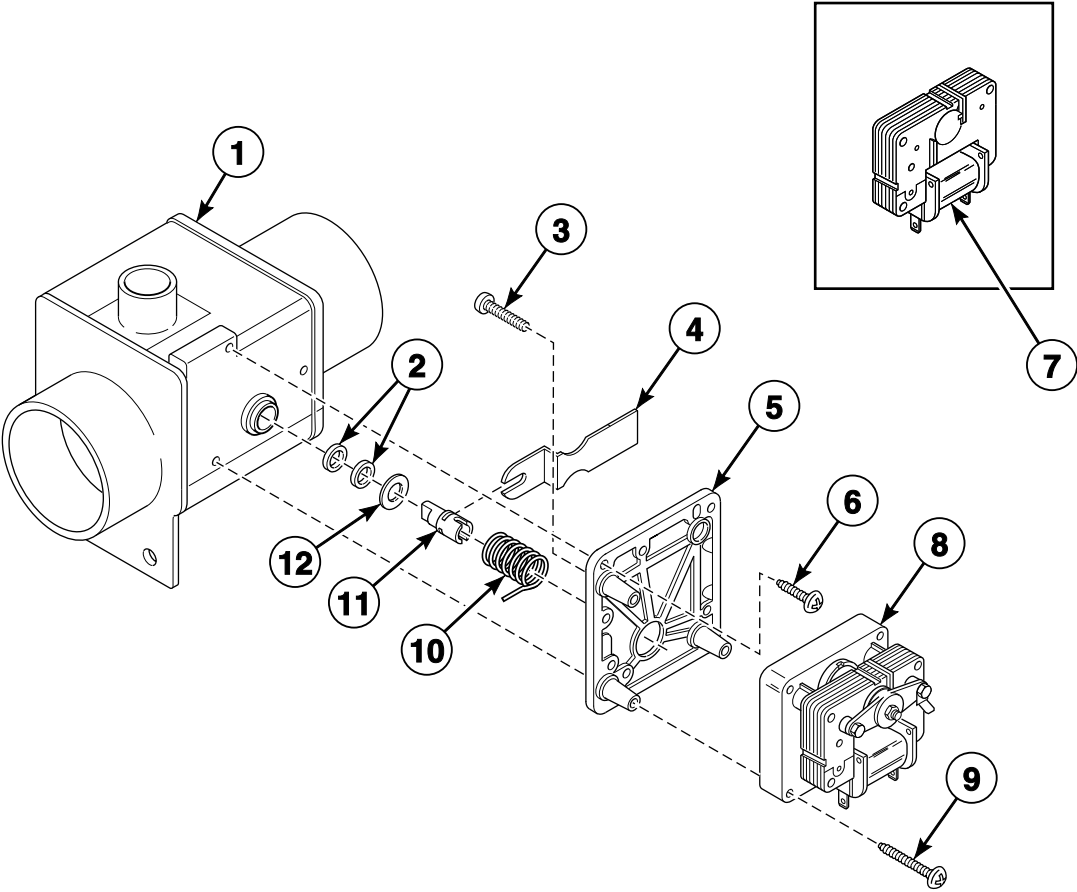


BE000058P_D0341

Drain Valve - Normally Open

REF	PART NO.	DESCRIPTION	COMMENTS
1	209/00075/05	Drain Valve	
2	209/00025/10	Drain Valve Shaft Seal	
3	209/00025/08	Screw	
4	209/00170/05	Screw	
5	209/00025/07	Drain Valve Motor Mounting Plate	
6	209/00203/11	Drain Valve Motor	24 Volt
	209/00052/11	Drain Valve Motor	110 Volt/60 Hertz
	209/00051/11	Drain Valve Motor	220 Volt/50 or 60 Hertz
7	209/00203/21	Coil	24 Volt
	209/00052/21	Coil	115 Volt/60 Hertz
	209/00051/21	Coil	220 Volt/50 or 60 Hertz
8	209/00170/07	Screw	
9	209/00025/13	Drain Valve Spring	
10	209/00170/10	Drain Valve Shaft	
11	209/00170/09	Washer	

Drain Valve - Normally Closed

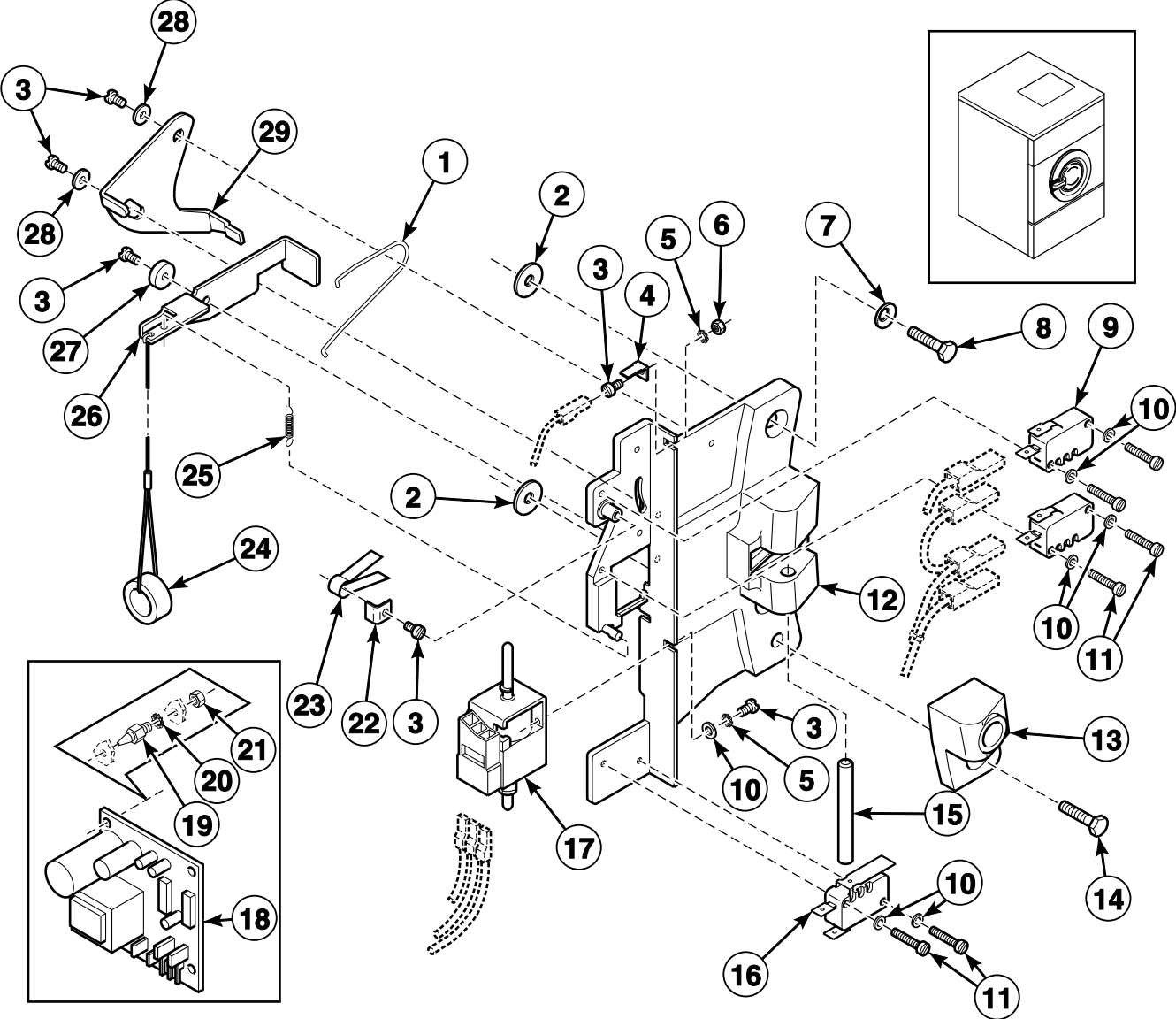


BE000057P_D0341

Drain Valve - Normally Closed

REF	PART NO.	DESCRIPTION	COMMENTS
1	209/00075/05	Drain Valve	
2	209/00025/10	Drain Valve Shaft Seal	
3	209/00025/08	Screw	
4	209/00115/11	Drain Valve Handle	
5	209/00115/04	Drain Valve Motor Mounting Plate	
6	209/00170/05	Screw	
7	209/00212/11	Coil	24 Volt
	209/00052/21	Coil	115 Volt/60 Hertz
	209/00051/21	Coil	220 Volt/50 or 60 Hertz
8	209/00203/12	Drain Valve Motor	24 Volt
	209/00052/12	Drain Valve Motor	110 Volt/60 Hertz
	209/00170/06	Drain Valve Motor Assembly	220 Volt/50 or 60 Hertz
9	209/00170/07	Screw	
10	209/00170/02	Drain Valve Spring	
11	209/00170/10	Drain Valve Shaft	
12	209/00025/12	Washer	

Door Lock

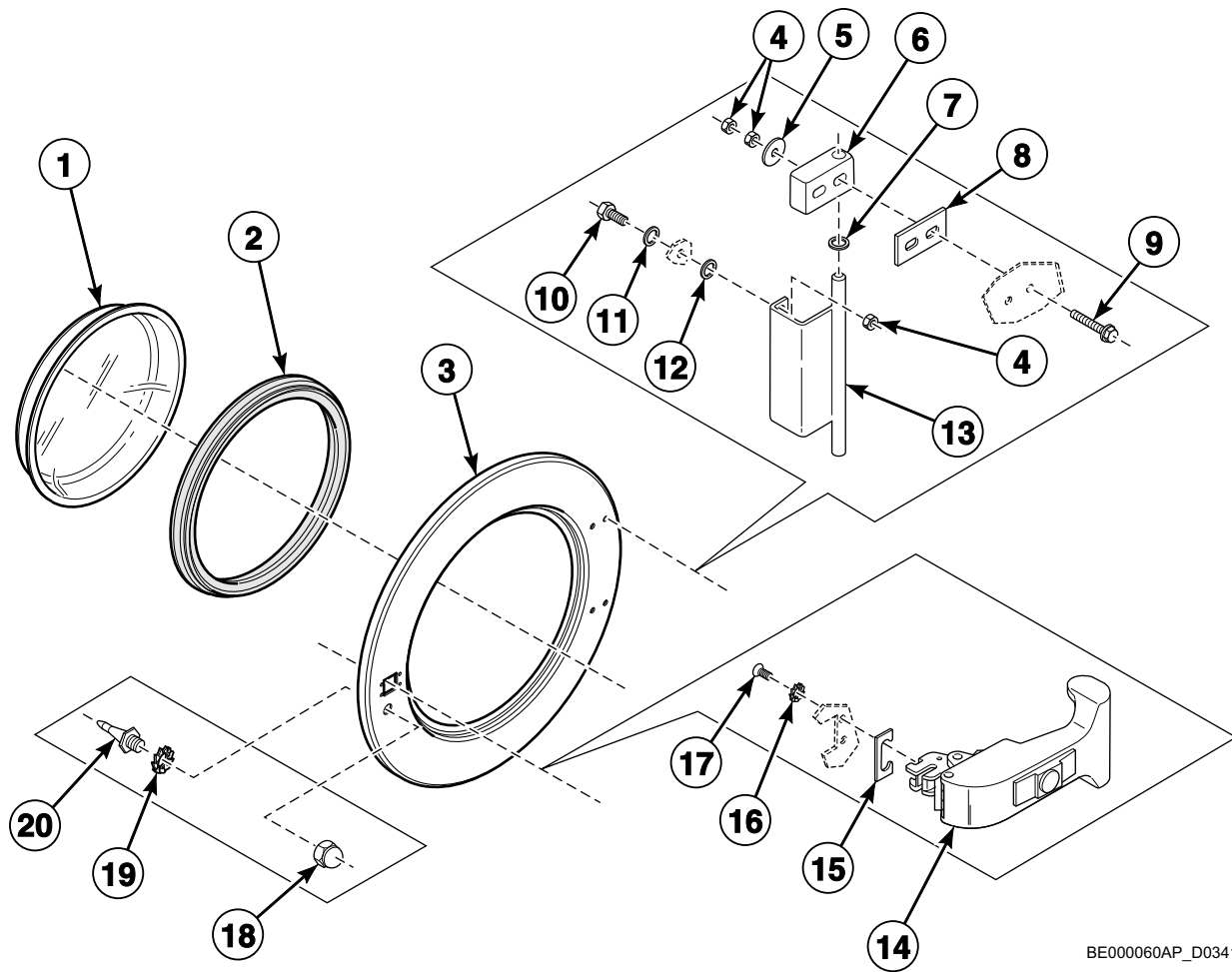


BE000059AP_D0341

Door Lock

REF	PART NO.	DESCRIPTION	COMMENTS
1	224/00040/00	Lever Spring	
2	217/00021/00	O-Ring	
3	207/00135/00	Screw	
4	210/10015/00	Ground Terminal	
5	203/00007/00	Washer	
6	204/00008/00	Nut	
7	203/00010/00	Washer	
8	207/00103/00	Screw	
9	209/00272/00	Door Lock Microswitch	
10	201/00018/00	Washer	
11	207/00009/00	Screw	
12	217/00052/01	Door Lock Assembly	
13	217/00052/02	Door Lock Pin Kit	
14	207/00102/00	Screw	
15	217/00017/03	Lock Shaft	
16	209/00273/00	Light Microswitch	
17	209/00274/00	Door Lock Solenoid	
18	209/00275/04	Door Lock Board	
19	211/00120/00	Standoff	
20	203/00006/00	Washer	
21	204/00007/00	Nut	
22	217/00052/08	Washer	
23	224/00049/00	Door Lock Spring	
24	224/00015/00	Door Latch Cord	
25	224/00043/00	Interlock Coil Spring	
25	217/00052/04	Interlock Lever	
27	217/00052/03	Door Lock Spacer	
28	201/00017/00	Washer	
29	217/00052/05	Switch Lever	

Door

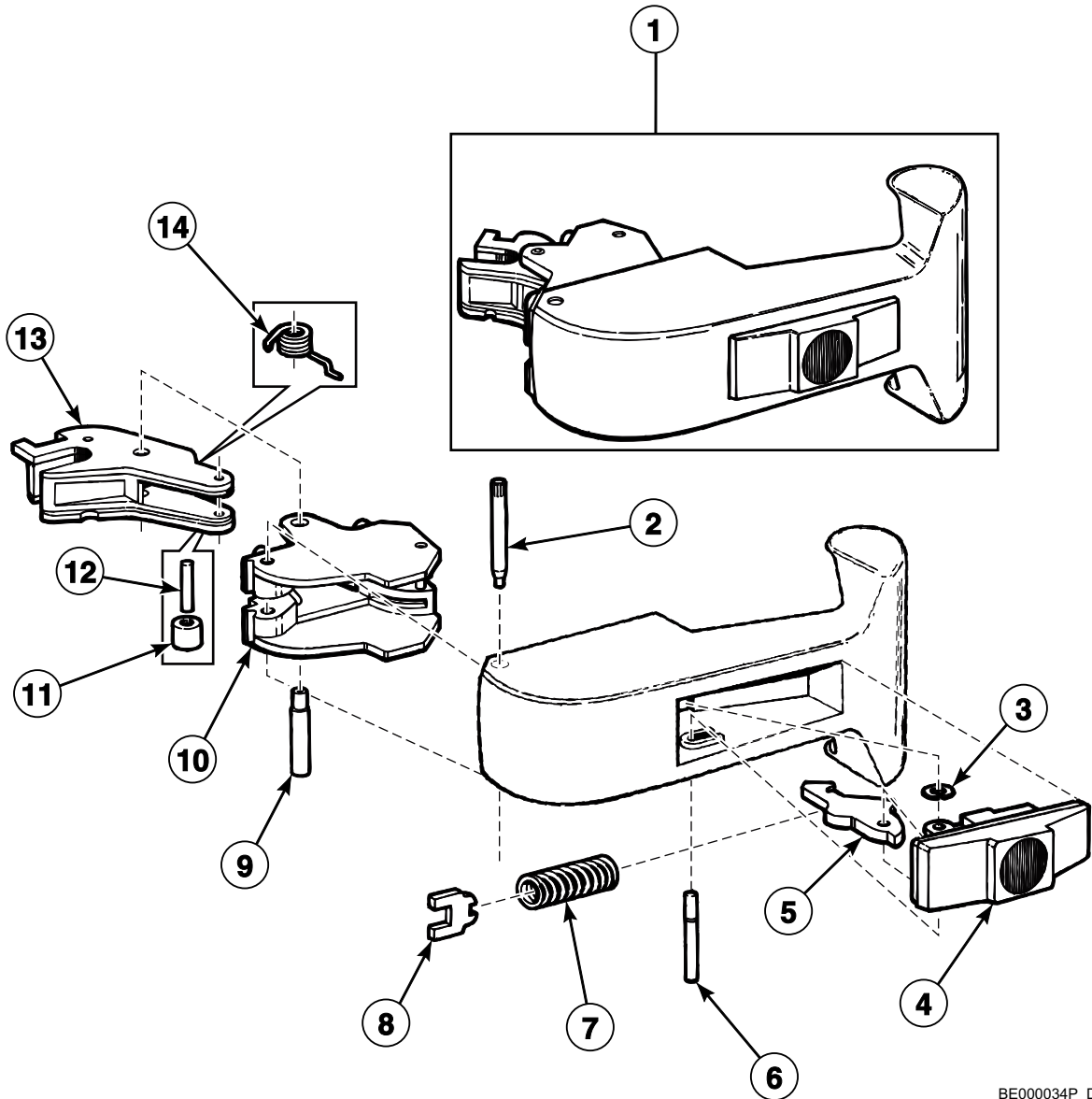


BE000060AP_D0341

Door

REF	PART NO.	DESCRIPTION	COMMENTS
1	B12449801	Door Glass	
2	223/00068/00	Door Glass Seal	
3	118/00125/00	Door	
4	204/00106/00	Nut	
5	202/00108/00	Washer	
6	253/00022/00	Door Hinge Block	
7	202/00104/00	Washer	
8	117/00010/00	Door Hinge Spacer	2 mm
9	207/00126/00	Screw	
10	205/00104/00	Bolt	
11	202/00101/00	Washer	
12	217/00021/00	O-Ring	
13	131/00046/00	Hinge	
14	217/00051/00	Door Handle	
15	217/00016/00	Door Handle Stop	
16	203/00008/00	Washer	
17	207/00020/00	Screw	
18	204/00103/00	Nut	
19	203/00011/00	Washer	
20	211/00109/00	Door Lock Pin Kit	

Door Handle

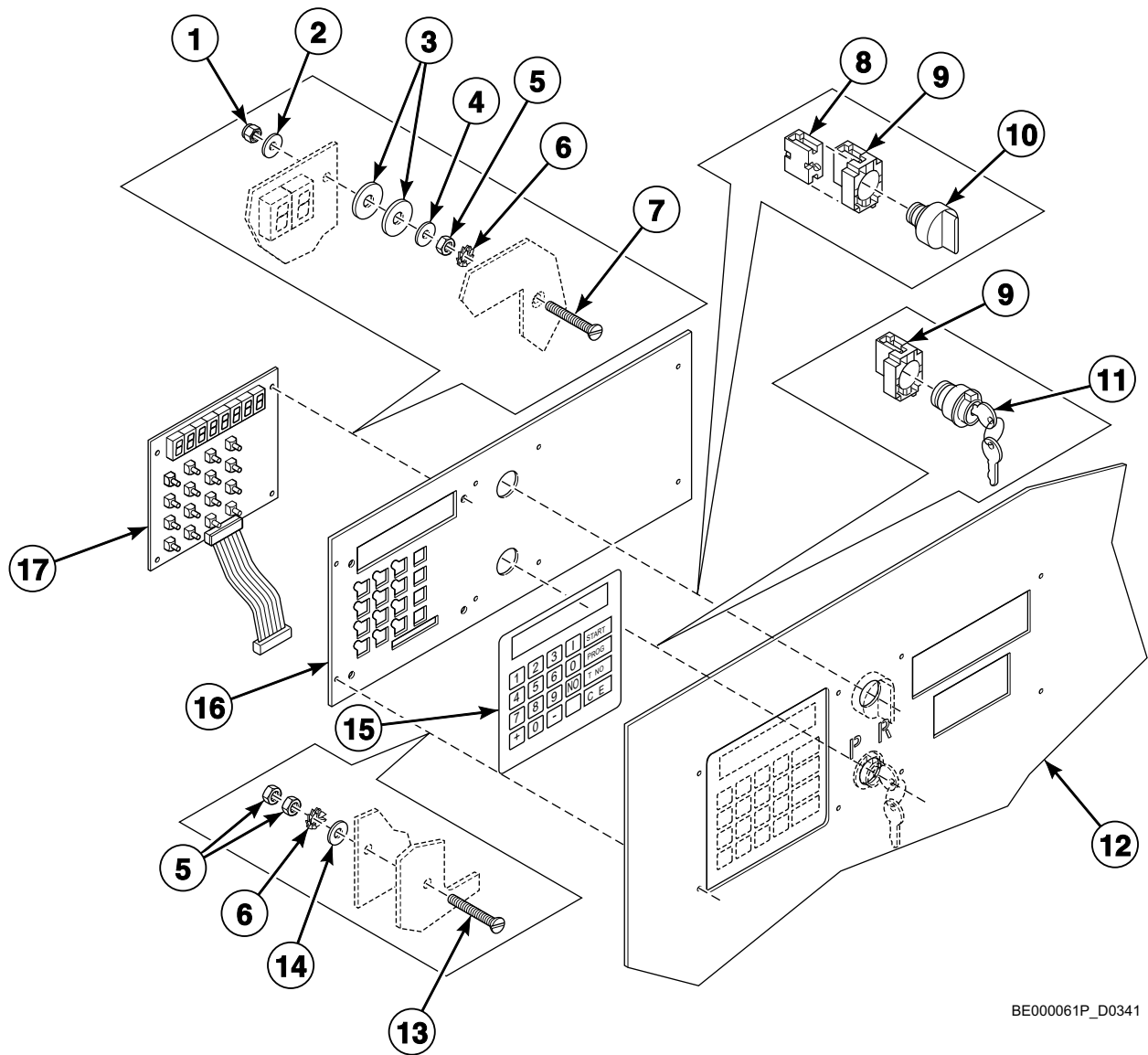


BE000034P_D0341

Door Handle

REF	PART NO.	DESCRIPTION	COMMENTS
1	217/00051/00	Door Handle	
2	217/00013/09	Door Mounting Pin	
3	217/00013/11	Door Circlip	
4	217/00013/12	Door Handle	
5	217/00013/13	Door Handle Hook	
6	217/00013/15	Door Handle Locking Pin	
7	217/00013/14	Door Handle Spring	
8	217/00013/16	Door Handle Assembly Plate	
9	217/00013/08	Door Locking Pin	
10	217/00013/07	Door Locking Grip	
11	217/00013/06	Door Roller	
12	217/00013/05	Door Axle Roller	
13	217/00013/04	Door Handle Latch	
14	217/00013/03	Door Lock Spring	

Control Module - PC30

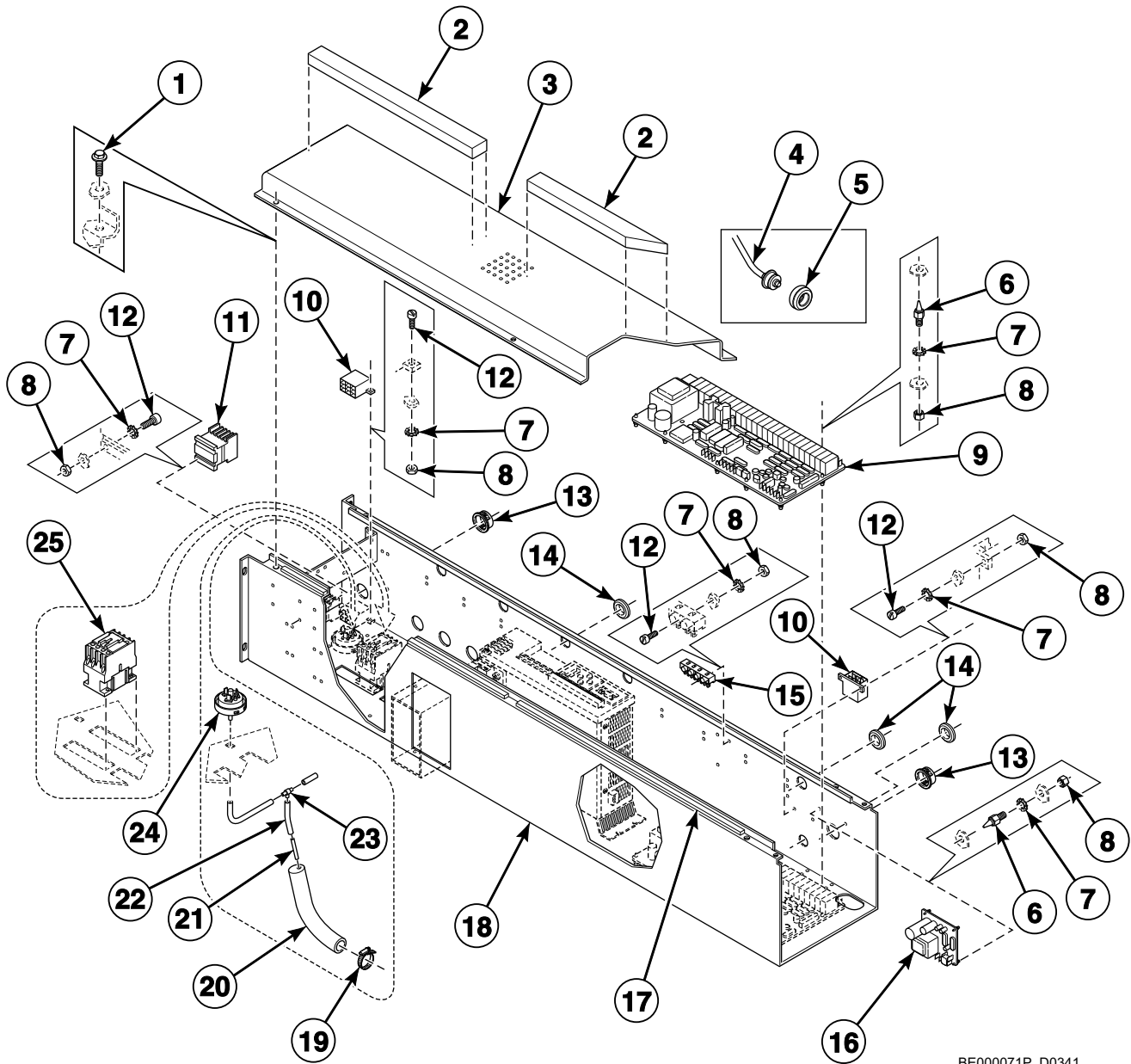


BE000061P_D0341

Control Module - PC30

REF	PART NO.	DESCRIPTION	COMMENTS
1	204/00116/00	Nut	
2	223/00123/00	Washer	
3	223/00051/10	Washer	
4	201/00008/00	Washer	
5	204/00008/00	Nut	
6	203/00007/00	Washer	
7	207/00025/00	Screw	
8	209/00099/06	Contact Switch	
9	209/00099/05	Contact	
10	209/00099/09	Button	
11	209/00326/00	Programming Switch	
12	153/00107/00	Front Panel	
13	207/00108/00	Screw	
14	202/00004/00	Washer	
15	229/00245/00	Label	
16	173/00012/00	Mounting Plate	
17	209/00323/01	Keyboard	

Electrical Component Mounting Plate - Models with KEB Inverter Drive

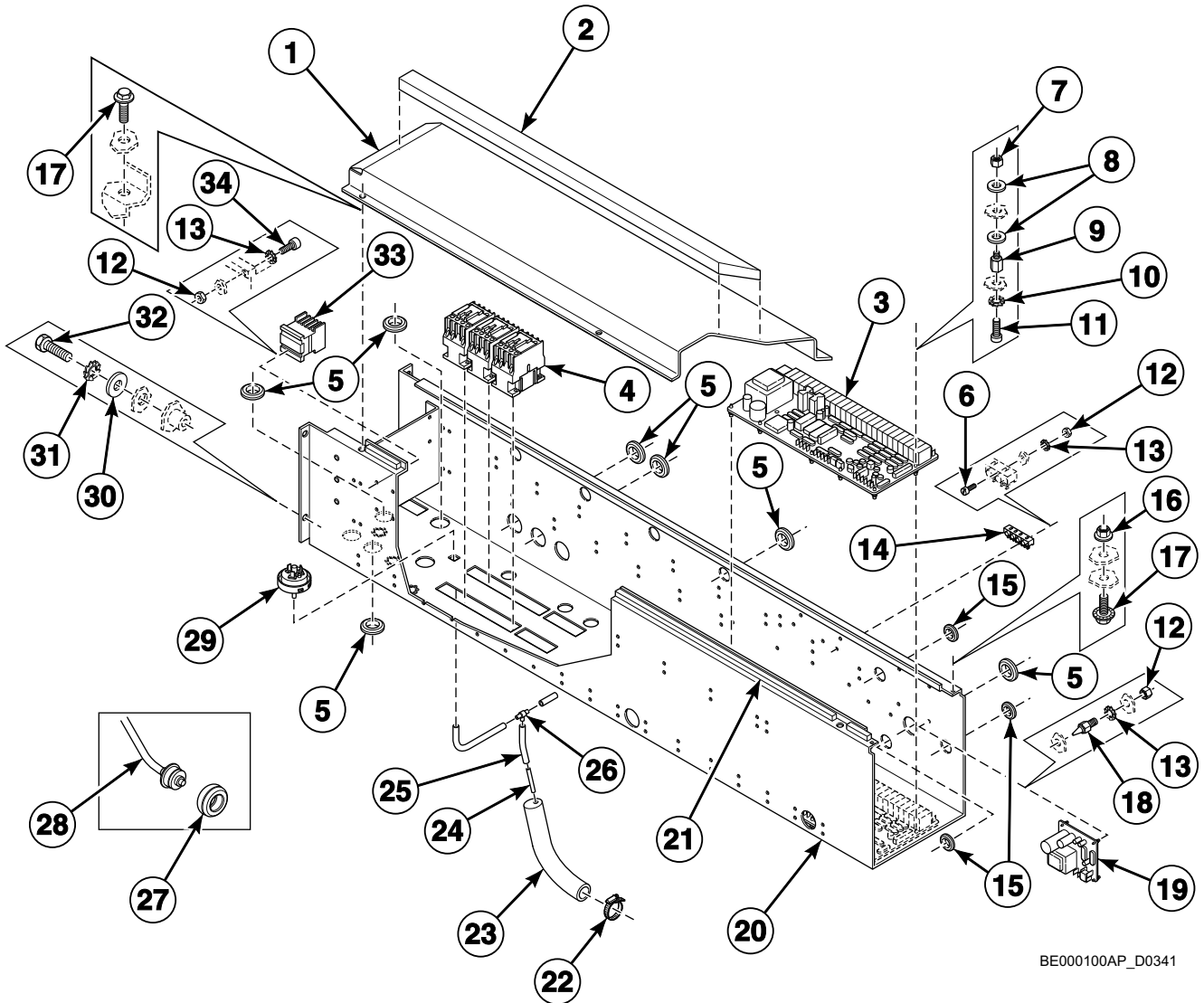


BE000071P_D0341

Electrical Component Mounting Plate - Models with KEB Inverter Drive

REF	PART NO.	DESCRIPTION	COMMENTS
1	206/00099/00	Bolt	
2	246/00149/00	Gasket	
3	153/00111/01	Top Cover Plate	HF450 models
	153/00112/01	Top Cover Plate	HF570 models
4	209/00266/08	Thermostat	
5	225/10004/00	Thermostat Seal	
6	211/00120/00	Standoff	
7	203/00006/00	Washer	
8	204/00007/00	Nut	
9	209/00323/02	Printboard	
10	209/00141/00	Plug	
11	209/00124/00	Contactactor	
12	207/00003/00	Screw	
13	225/00027/00	Cable Duct	
14	225/00019/00	Holder	
15	209/00005/00	Terminal Block	
16	209/00275/04	Door Lock Board	
17	246/00092/00	Gasket	
18	153/00111/00	Assembly Plate	HF450 models
	153/00112/00	Assembly Plate	HF570 models
19	223/00011/00	Hose Clamp	
20	223/00015/00	Level Switch Elbow	
21	223/00016/00	Hose Barb	
22	223/00082/00	Pressure Hose	
23	223/00035/01	Hose Tee	
24	209/00007/50	Pressure Switch	
25	209/00148/02	Contactactor	

Electrical Component Mounting Plate - Models with Mitsubishi Inverter Drive



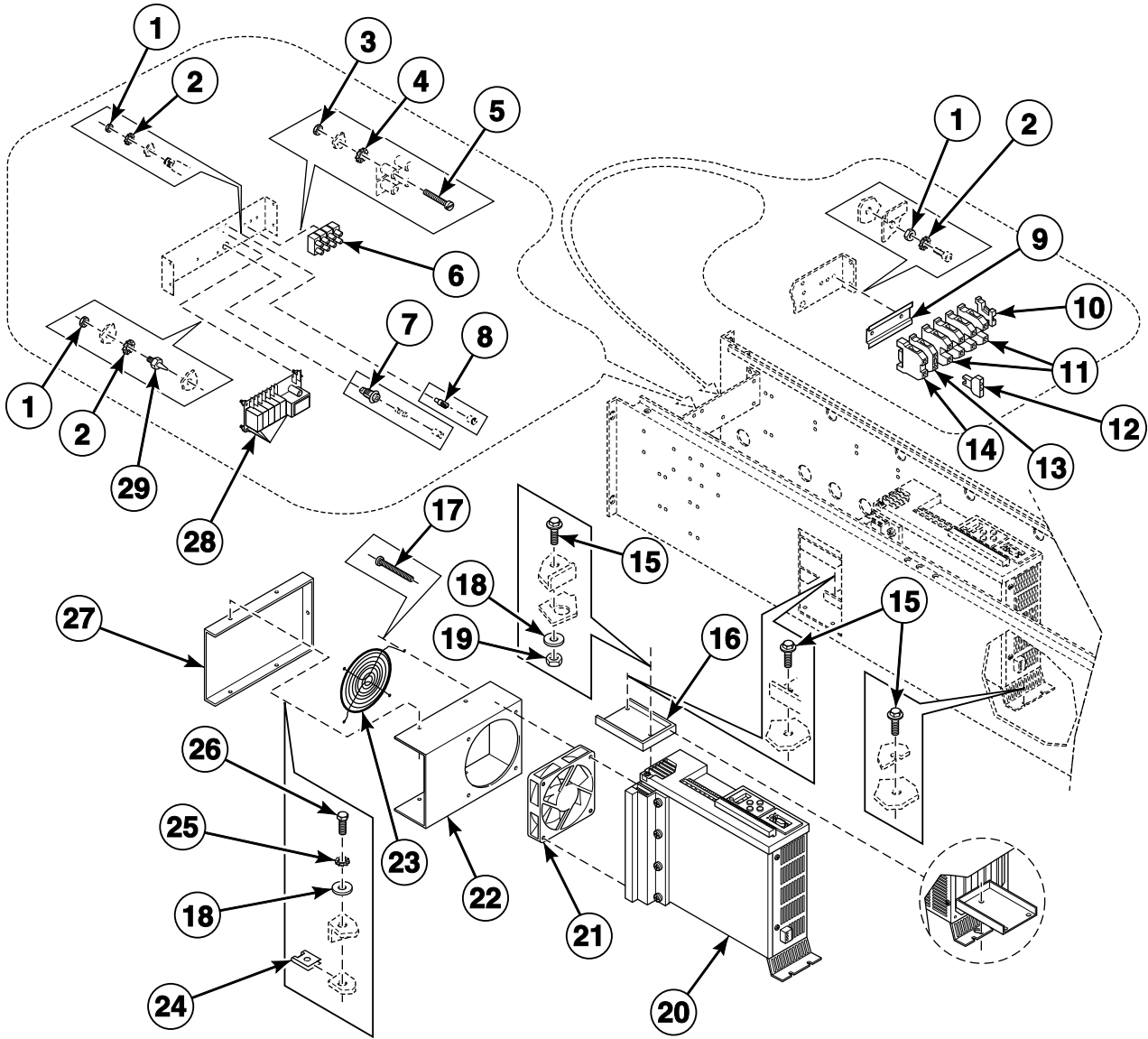
BE000100AP_D0341

Electrical Component Mounting Plate - Models with Mitsubishi Inverter Drive

REF	PART NO.	DESCRIPTION	COMMENTS
1	153/00112/01	Top Cover Plate	HF570 models
	153/00111/01	Top Cover Plate	HF450 models
2	246/00149/00	Gasket	
3	209/00323/02	Printboard	
4	209/00148/02	Contactora	
5	223/00198/00	Grommet	
6	207/00008/00	Screw	
7	204/00116/00	Nut	
8	223/00123/00	Washer	
9	206/00141/00	Separator	
10	203/00007/00	Washer	
11	207/00135/00	Screw	
12	204/00007/00	Nut	
13	203/00006/00	Washer	
14	209/00005/00	Terminal Block	
15	223/00174/00	Grommet	
16	206/00101/00	Nut	
17	206/00099/00	Bolt	
18	211/00120/00	Standoff	
19	209/00275/04	Door Lock Board	
20	153/00111/00	Assembly Plate	HF450 models
	153/00112/00	Assembly Plate	HF570 models
21	246/00092/00	Gasket	
22	223/00011/00	Hose Clamp	
23	223/00210/00	Pressure Switch Elbow	
24	223/00016/00	Hose Barb	
25	223/00212/00	Pressure Switch Hose	
26	223/00035/01	Hose Tee	
27	225/10004/00	Thermostat Seal	
28	209/00266/08	Thermostat	
29	209/00007/50	Pressure Switch	
30	201/00007/00	Washer	
31	203/00004/00	Washer	
32	205/00105/00	Bolt	
33	209/00124/00	Contactora	
34	207/00003/00	Screw	

Inverter Drive

Models with Mitsubishi Inverter Drive



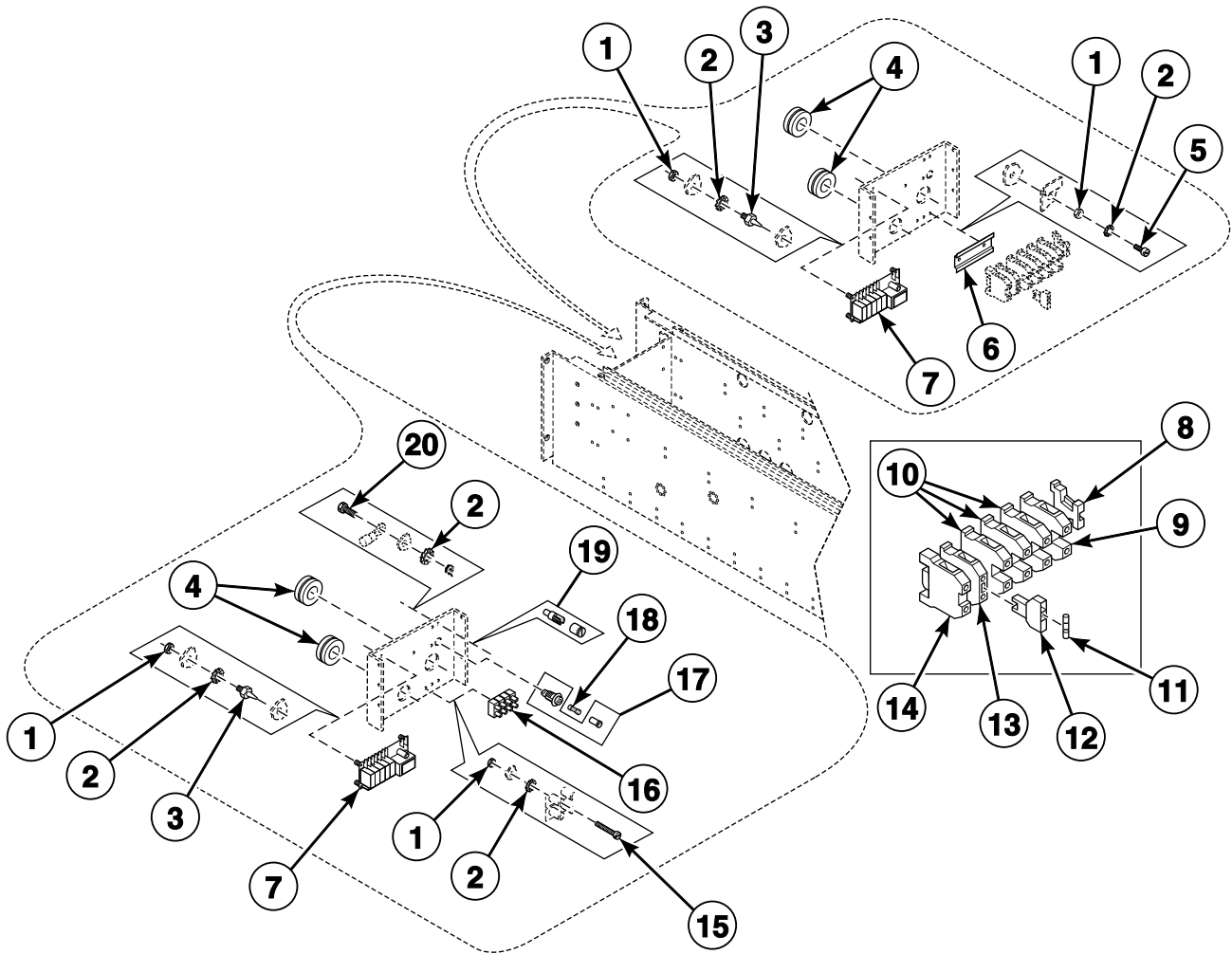
BE000072P_D0341

Inverter Drive

REF	PART NO.	DESCRIPTION	COMMENTS
1	204/00007/00	Nut	
2	203/00006/00	Washer	
3	204/00008/00	Nut	
4	203/00007/00	Washer	
5	207/00014/00	Screw	
6	209/00057/00	Terminal	3 pole
	209/00058/00	Terminal Block	4 pole
7	209/00202/00	Fuse Holder	
8	209/00006/00	Terminal	
9	720/00110/01	Rail	
10	209/00319/00	Clamp	
11	209/00317/02	Clamp	
	209/00317/01	Clamp	
12	209/00318/02	Clamp	
13	209/00318/01	Clamp	
14	209/00317/04	Clamp	
15	206/00099/00	Bolt	
16	153/00111/02	Assembly Plate	
17	227/00120/03	Screw	
18	201/00007/00	Washer	
19	204/00106/00	Nut	
20	227/00120/00	Inverter	
21	227/00120/02	Fan	
22	153/00111/03	Inverter Box	
23	227/00120/01	Fan	
24	208/00002/00	Nut	
25	203/00005/00	Washer	
26	208/00001/00	Screw	
27	153/00111/04	Inverter Top	
28	209/00218/01	Printboard	
29	211/00120/00	Standoff	

Main Switch and Printboard

Models with Mitsubishi Inverter Drive

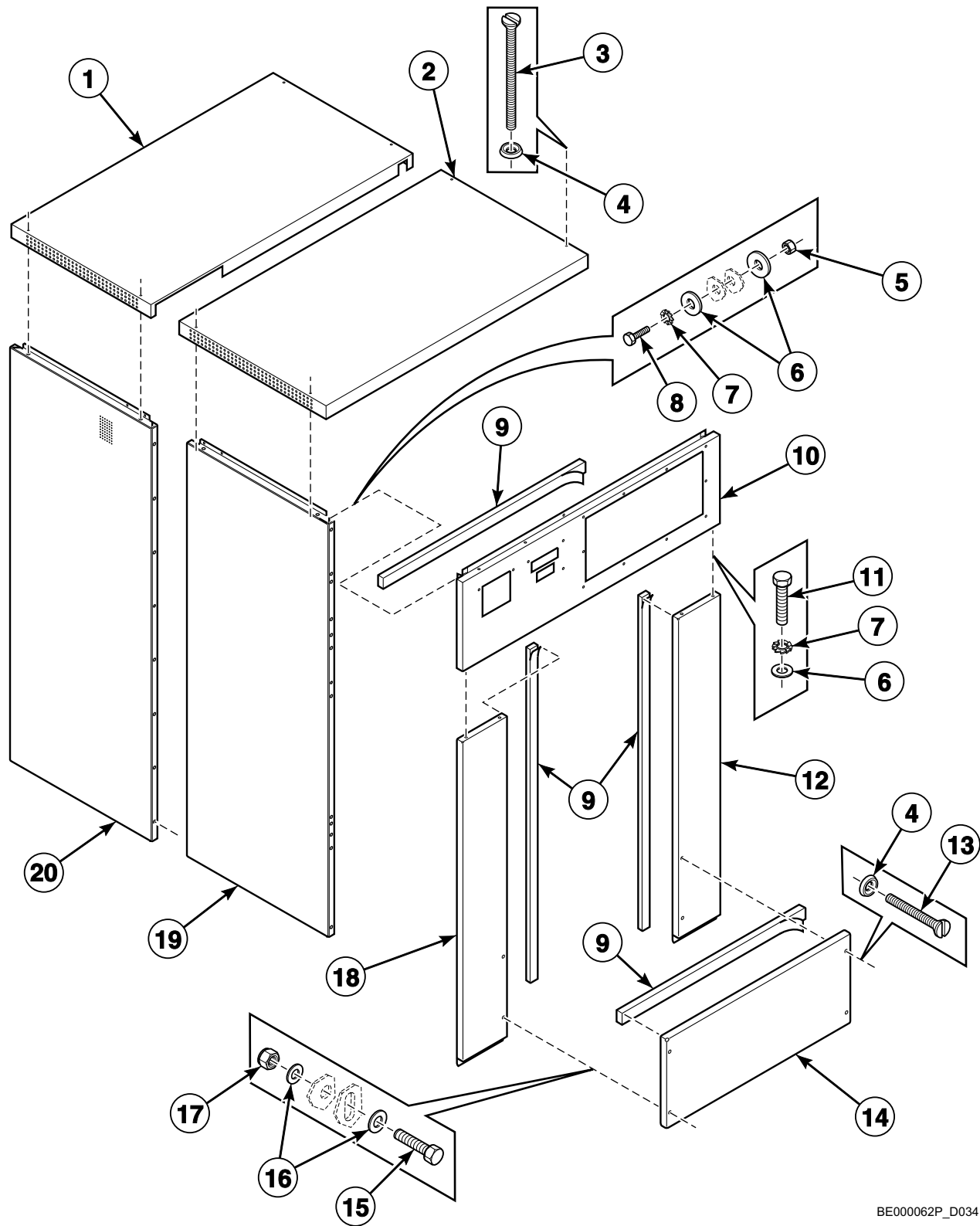


BE000101P_D0341

Main Switch and Printboard

REF	PART NO.	DESCRIPTION	COMMENTS
1	204/00007/00	Nut	
2	203/00006/00	Washer	
3	211/00120/00	Standoff	
4	223/00198/00	Grommet	
5	207/00008/00	Screw	
6	720/00110/01	Rail	
7	209/00218/01	Printboard	
8	209/00319/00	Clamp	
9	209/00317/02	Clamp	
10	209/00317/01	Clamp	
11	209/00468/00	Fuse	
12	209/00318/02	Clamp	
13	209/00318/01	Clamp	
14	209/00317/04	Clamp	
15	207/00031/00	Screw	
16	209/00058/00	Terminal Block	
17	209/00202/00	Fuse Holder	
18	209/00195/00	Fuse	
19	209/00006/00	Terminal	
20	206/00027/00	Bolt	

Left Side, Front and Top Panels

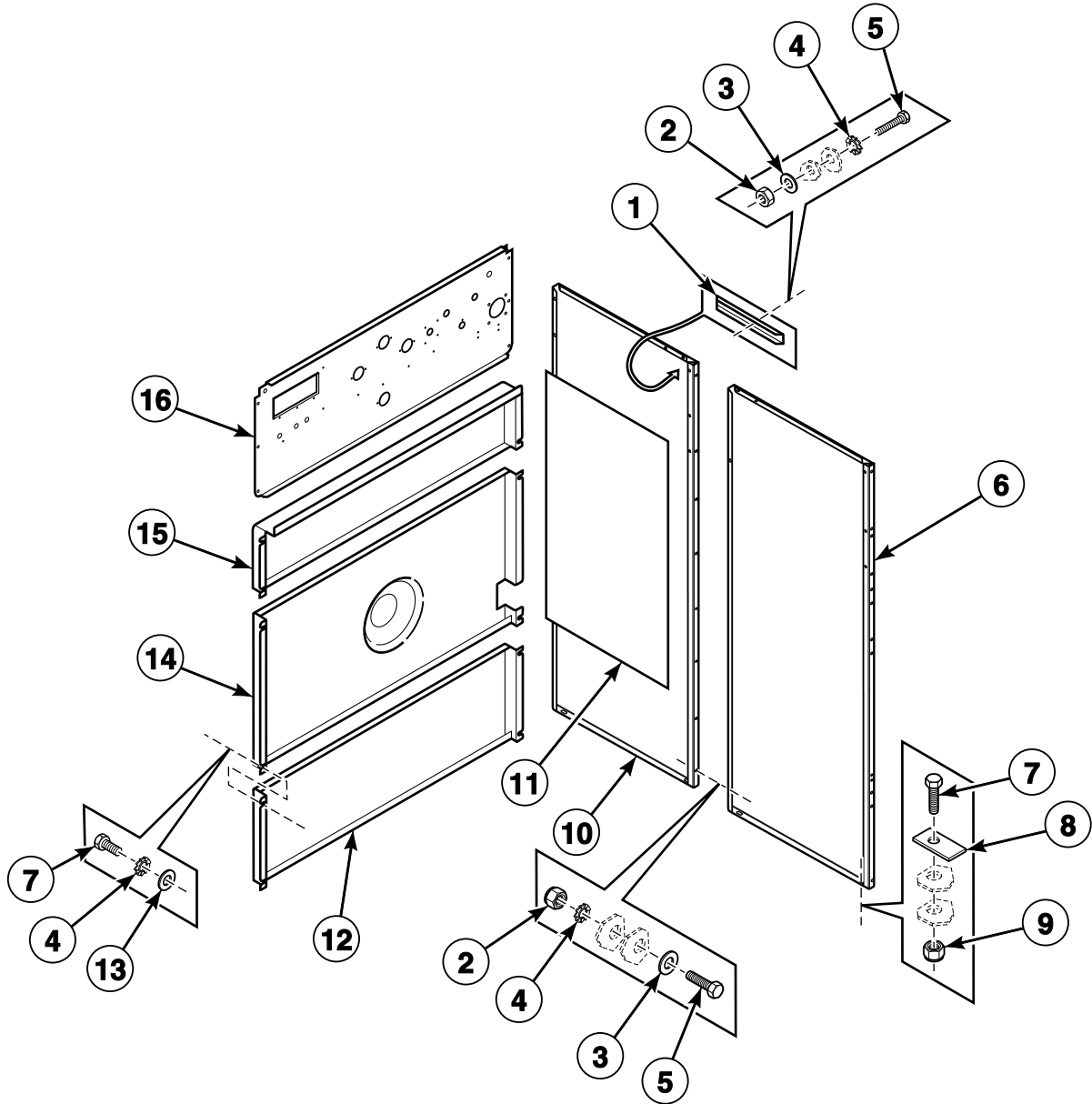


BE000062P_D0341

Left Side, Front and Top Panels

REF	PART NO.	DESCRIPTION	COMMENTS
1	153/00033/02	Rear Cabinet Top	HF450 models
	153/00034/02	Rear Cabinet Top	HF570 models
2	153/00033/01	Front Cabinet Top	HF450 models
	153/00034/01	Front Cabinet Top	HF570 models
3	207/00123/00	Screw	
4	208/00009/00	Washer	
5	204/00106/00	Nut	
6	202/00106/00	Washer	
7	203/00004/00	Washer	
8	205/00104/00	Bolt	
9	246/00149/00	Gasket	
10	153/00107/00	Front Panel	
11	205/00105/00	Bolt	
12	153/00110/00	Front Panel	
13	207/00101/00	Screw	
14	153/00113/00	Lower Front Panel	
15	206/00042/00	Bolt	
16	202/00111/00	Washer	
17	204/00109/00	Nut	
18	153/00109/00	Front Panel	
19	153/00104/00	Side Panel	HF450 models
	153/00106/00	Side Panel	HF570 models
20	153/00103/00	Side Panel	HF450 models
	153/00105/00	Side Panel	HF570 models

Right Side and Rear Panels

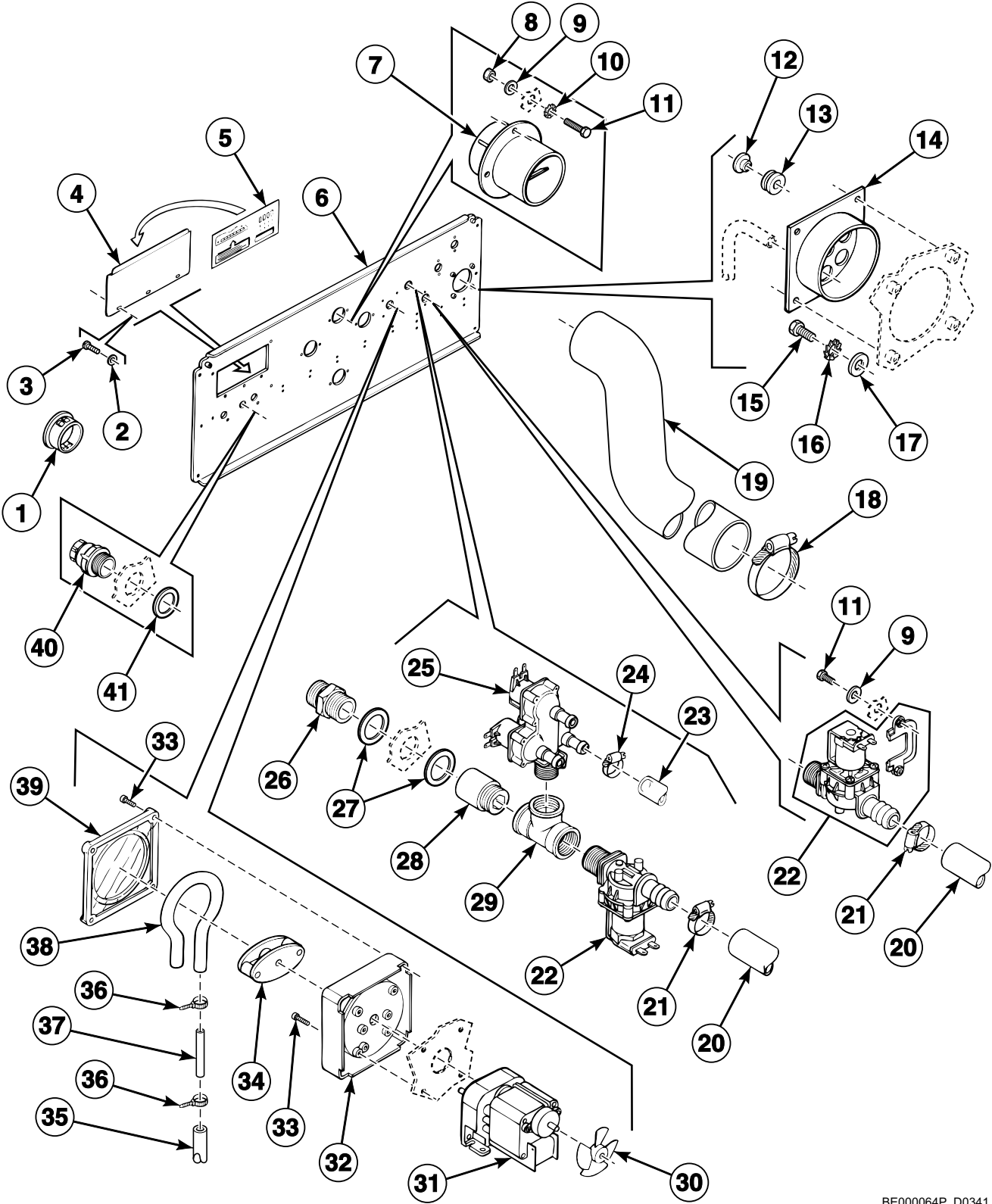


BE000063P_D0341

Right Side and Rear Panels

REF	PART NO.	DESCRIPTION	COMMENTS
1	153/00103/01	Side Panel Support Assembly	
2	204/00106/00	Nut	
3	202/00110/00	Washer	
4	203/00004/00	Washer	
5	205/00104/00	Bolt	
6	153/00103/00	Side Panel	HF450 models
	153/00105/00	Side Panel	HF570 models
7	205/00105/00	Bolt	
8	101/00007/00	Outlet Pipe Plate Assembly	
9	204/00009/00	Nut	
10	153/00104/00	Side Panel	HF450 models
	153/00106/00	Side Panel	HF570 models
11	246/00079/00	Side Panel Gasket	
12	153/00114/C0	Back Panel Support Assembly	
13	202/00106/00	Washer	
14	153/00114/B0	Back Panel Support Assembly	
15	153/00114/A0	Upper Back Panel	
16	153/00027/00	Backbridge	

Upper Back Panel - Models with KEB Inverter Drive



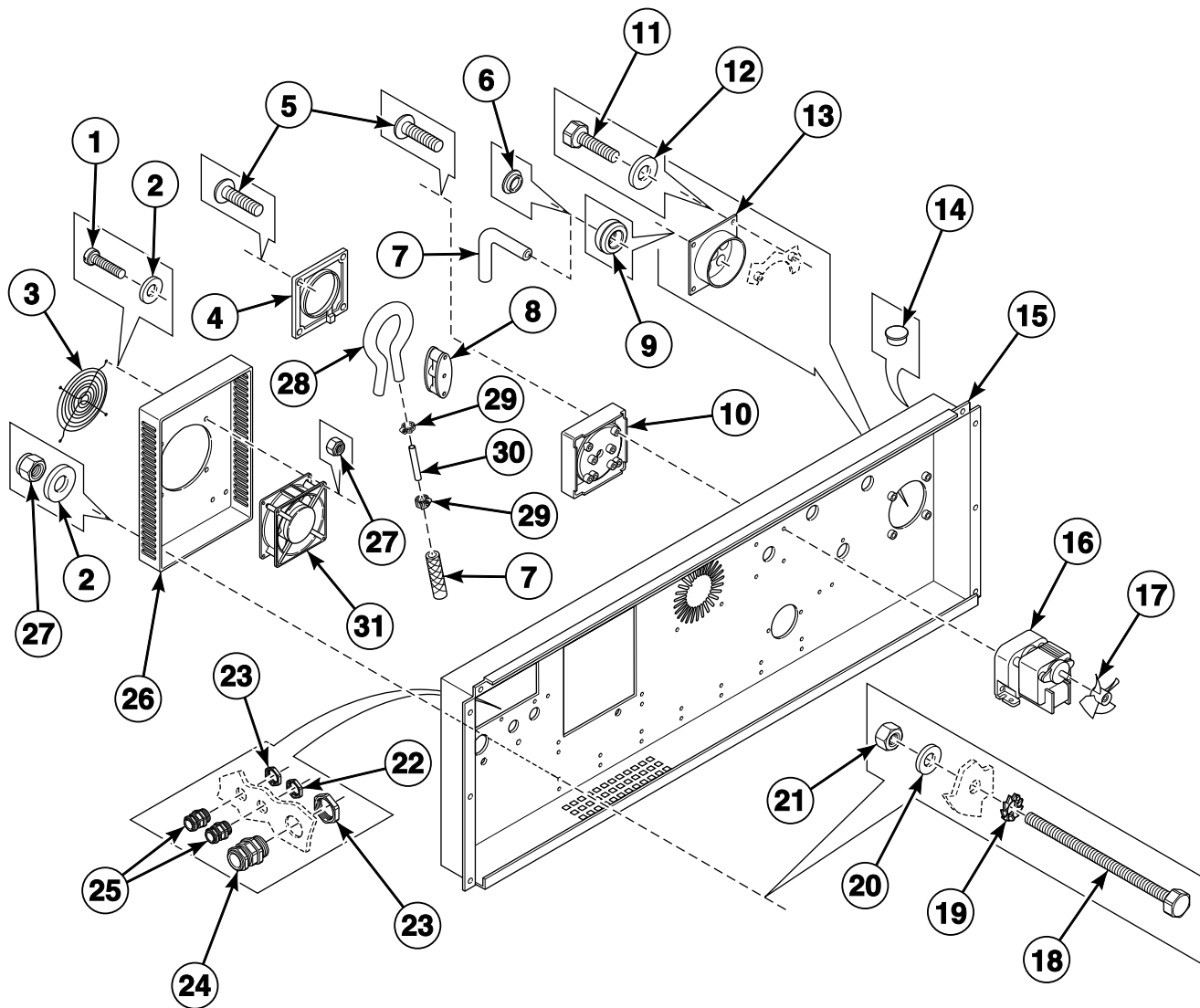
BE000064P_D0341

Upper Back Panel - Models with KEB Inverter Drive

REF	PART NO.	DESCRIPTION	COMMENTS
1	211/00087/00	Plug	30 mm diameter
	211/00084/00	Plug	20.5 mm diameter
2	202/00102/00	Washer	
3	207/00110/00	Screw	
4	140/00010/00	Cover Plate	
5	229/00250/00	Label	
6	153/00027/00	Backbridge	
7	223/00102/07	Hose Vent	
8	204/00007/00	Nut	
9	202/00004/00	Washer	
10	203/00006/00	Washer	
11	206/00027/00	Bolt	
12	211/00129/00	Plug	
13	225/00019/00	Holder	
14	153/00043/00	Inlet	
15	205/00104/00	Bolt	
16	203/00004/00	Washer	
17	202/00101/00	Washer	
18	223/00014/00	Hose Clamp	
19	223/00185/00	Hose	
20	223/00059/00	Water Hose	
21	223/00011/00	Hose Clamp	
22	209/00137/00	Inlet Valve	
23	223/00044/00	Water Hose	
24	223/00010/00	Hose Clamp	
25	209/00277/00	3-Way Inlet Valve	
26	223/00121/00	Connector	
27	223/00042/00	O-Ring	
28	711/00058/00	Extension Piece	
29	223/00043/00	T-Piece	
30	209/00420/05	Fan	
31	209/00420/04	Motor	
32	209/00420/02	Pump Housing	
33	209/00420/07	Screw	
34	209/00420/03	Pressure Roller	
35	223/00179/00	Soap Injector Hose	
36	211/00088/00	Cable Tie	
37	223/00180/00	Soap Injector Hose	
38	209/00420/01	Hose	
39	209/00420/06	Cover Plate	
40	211/00022/01	Nut	
41	211/00022/00	Nut	

Upper Back Panel (Drawing 1 of 2)

Models with Mitsubishi Inverter Drive



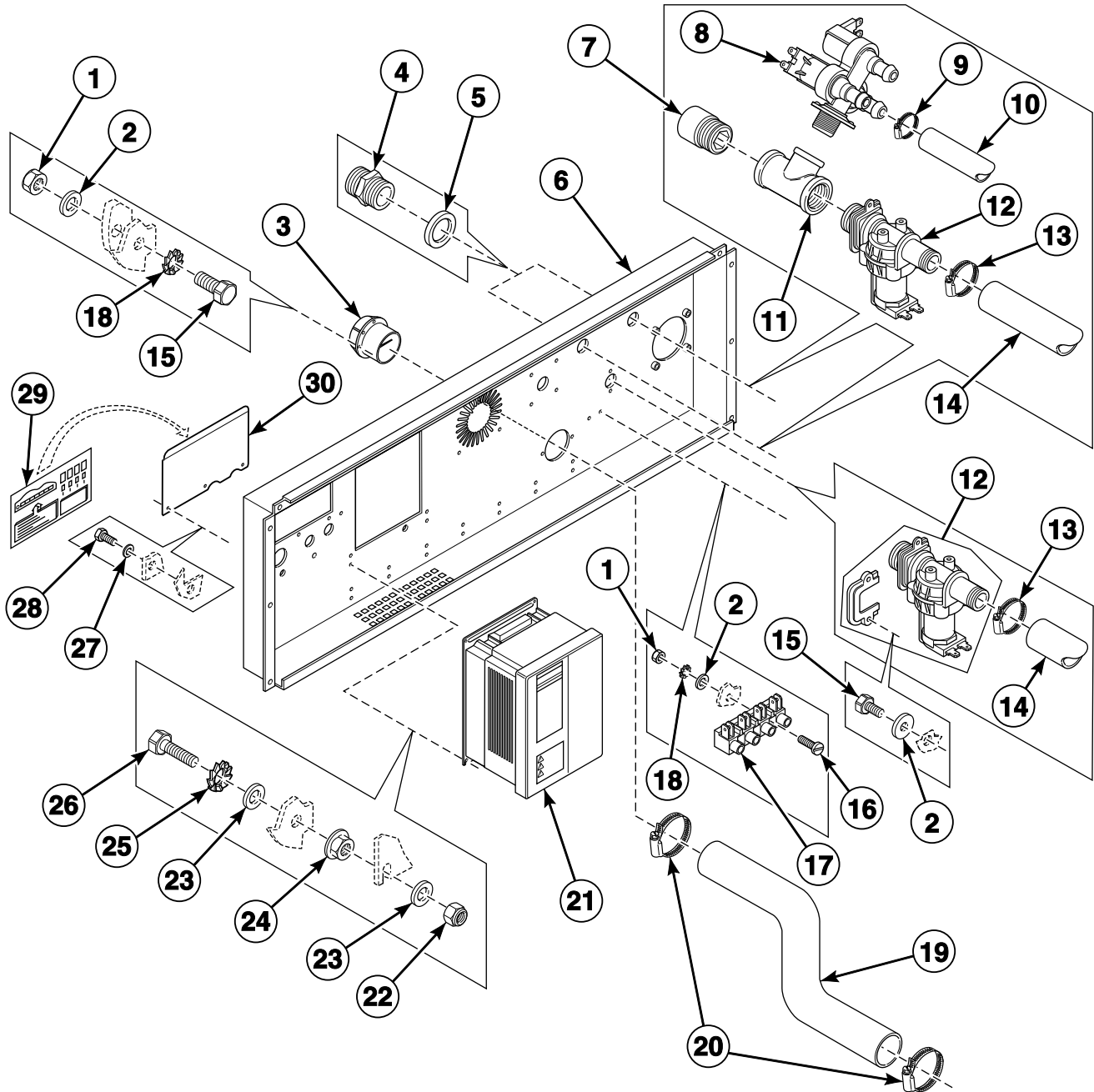
BE000097P_D0341

Upper Back Panel (Drawing 1 of 2)

REF	PART NO.	DESCRIPTION	COMMENTS
1	207/00105/00	Screw	
2	202/00004/00	Washer	
3	209/00465/01	Fan Grill	
4	209/00420/06	Cover Plate	
5	209/00420/07	Screw	
6	211/00129/00	Plug	
7	223/00179/00	Soap Injector Hose	
8	209/00420/03	Pressure Roller	
9	223/00174/00	Grommet	
10	209/00420/02	Pump Housing	
11	205/00104/00	Bolt	
12	202/00110/00	Washer	
13	153/00043/00	Inlet	
14	211/00087/00	Plug	
15	153/00027/01	Backbridge	
16	209/00420/04	Motor	
17	209/00420/05	Fan	
18	206/00136/00	Bolt	
19	203/00006/00	Washer	
20	202/00101/00	Washer	
21	204/00007/00	Nut	
22	211/00097/01	Cordlock	
23	211/00118/00	Cordlock	
24	211/00097/00	Cordlock	
25	211/00117/00	Cordlock	
26	153/00027/02	Fan Cover	
27	204/00114/00	Nut	
28	209/00420/01	Hose	
29	211/00088/00	Cable Tie	
30	223/00180/00	Soap Injector Hose	
31	209/00287/00	Cooling Fan	

Upper Back Panel (Drawing 2 of 2)

Models with Mitsubishi Inverter Drive

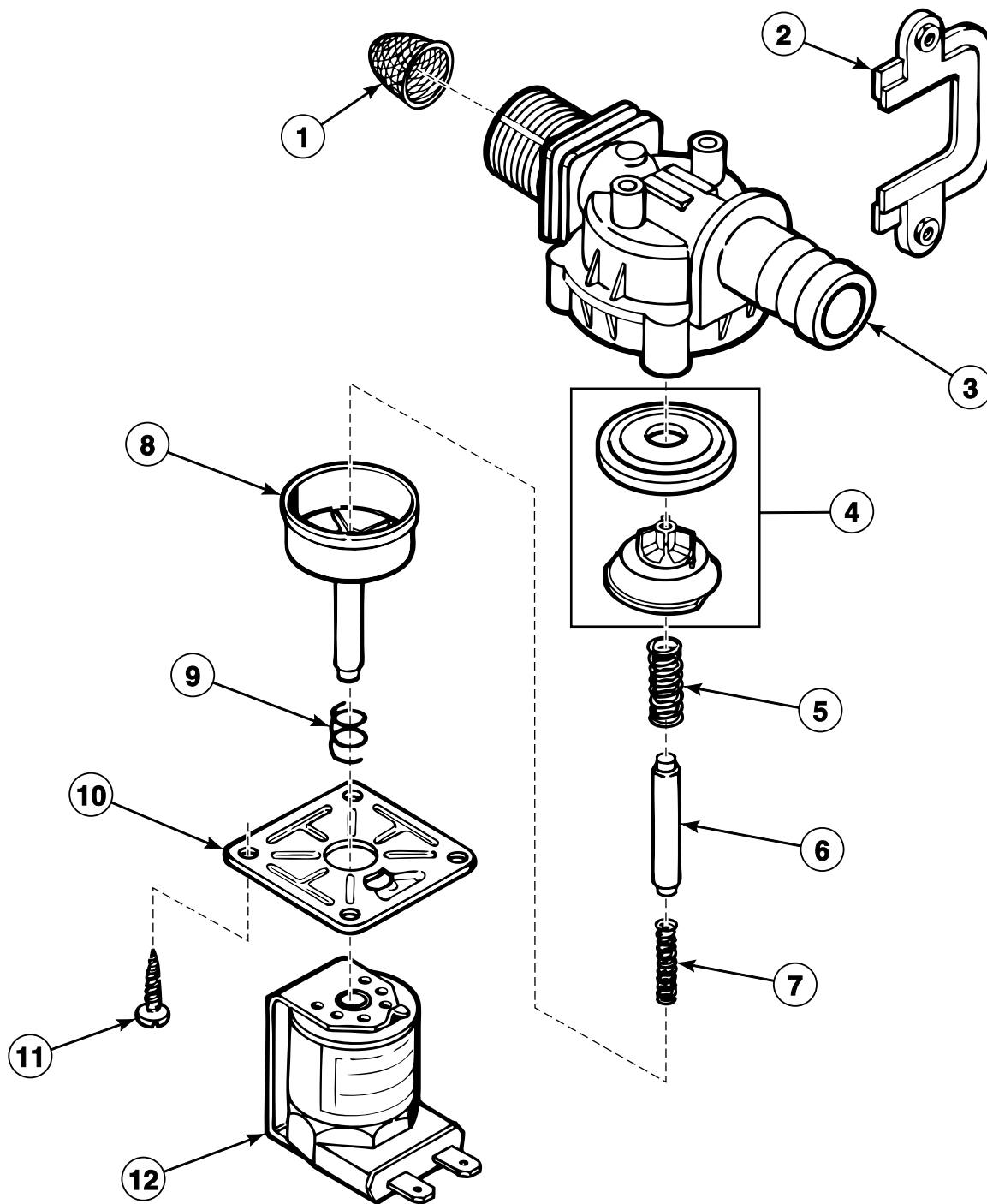


BE000098P_D0341

Upper Back Panel (Drawing 2 of 2)

REF	PART NO.	DESCRIPTION	COMMENTS
1	204/00007/00	Nut	
2	202/00004/00	Washer	
3	223/00102/07	Hose Vent	
4	223/00121/00	Connector	
5	223/00042/00	O-Ring	
6	153/00027/01	Backbridge	
7	711/00058/00	Extension Piece	
8	209/00277/00	3-Way Inlet Valve	
9	223/00010/00	Hose Clamp	
10	223/00044/00	Water Hose	
11	223/00043/00	T-Piece	
12	209/00137/00	Inlet Valve	
13	223/00011/00	Hose Clamp	
14	223/00059/00	Water Hose	
15	206/00027/00	Bolt	
16	207/00105/00	Screw	
17	209/00005/00	Terminal Block	
18	203/00006/00	Washer	
19	223/00211/00	Vent Hose	
20	223/00071/00	Hose Clamp	
21	227/00130/00	Inverter	HF450 models; 5.5 kW
	227/00131/00	Inverter	HF570 models; 7.5 kW
22	204/00009/00	Nut	
23	202/00101/00	Washer	
24	206/00101/00	Nut	
25	203/00004/00	Washer	
26	205/00103/00	Bolt	
27	207/00110/00	Screw	
28	202/00102/00	Washer	
29	229/00250/00	Label	
30	140/00010/00	Cover Plate	

Water Inlet Valves

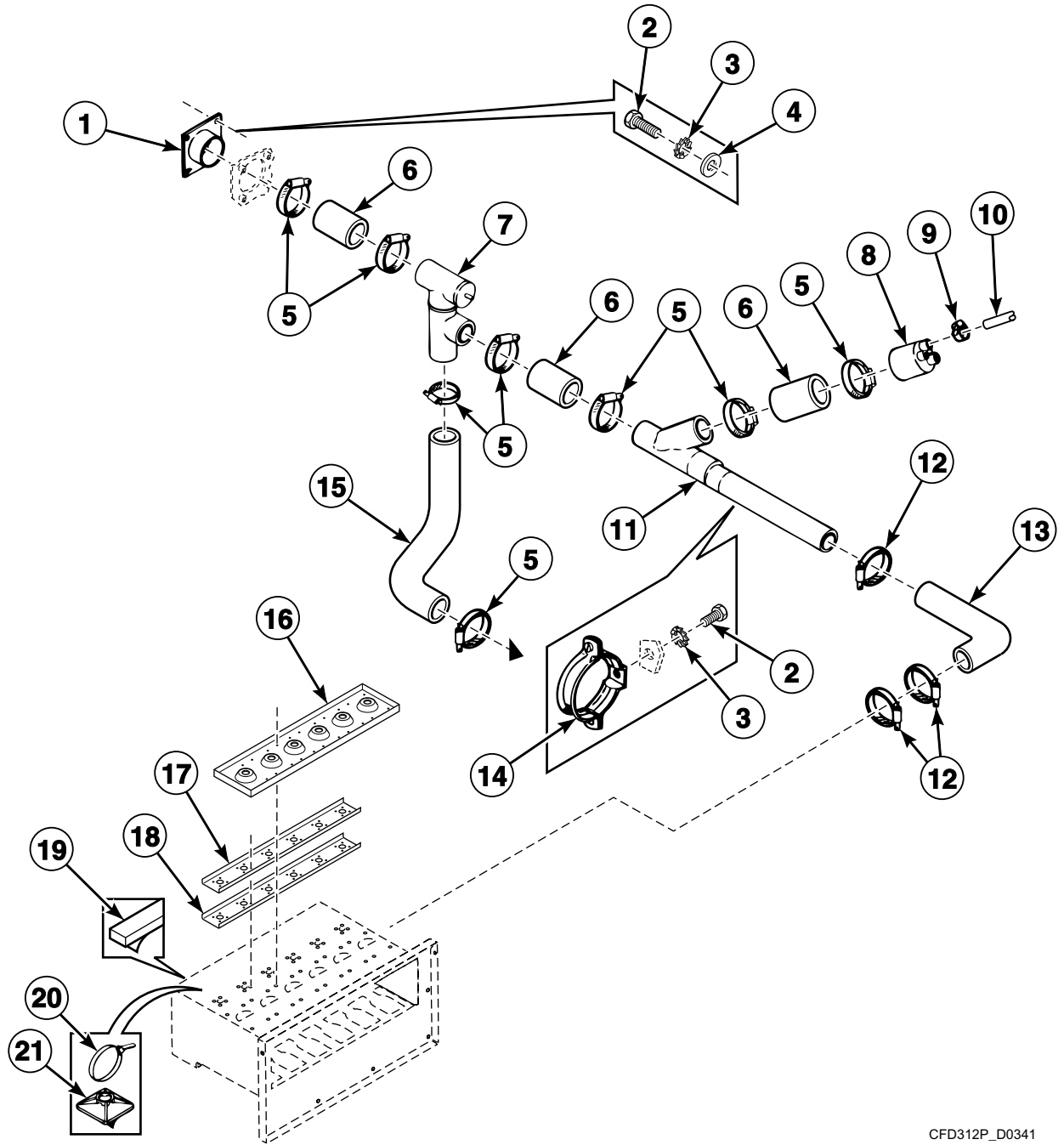


BE000065P_D0341

Water Inlet Valves

REF	PART NO.	DESCRIPTION	COMMENTS
1	223/00060/00	Filter	
2	209/00137/04	Inlet Valve Plate	
3	209/00137/02	Valve	
4	209/00138/01	Diaphragm	
5	209/00090/19	Diaphragm Spring	
6	209/00138/02	Inlet Valve	
7	209/00138/05	Spring	
8	209/00138/03	Spring	
9	209/00090/02	Spring	
10	209/00137/03	Valve Plate	
11	209/00090/03	Screw	
12	209/00090/01	Inlet Valve Solenoid	

Supply Dispenser Plumbing - Models with Mueller Valves

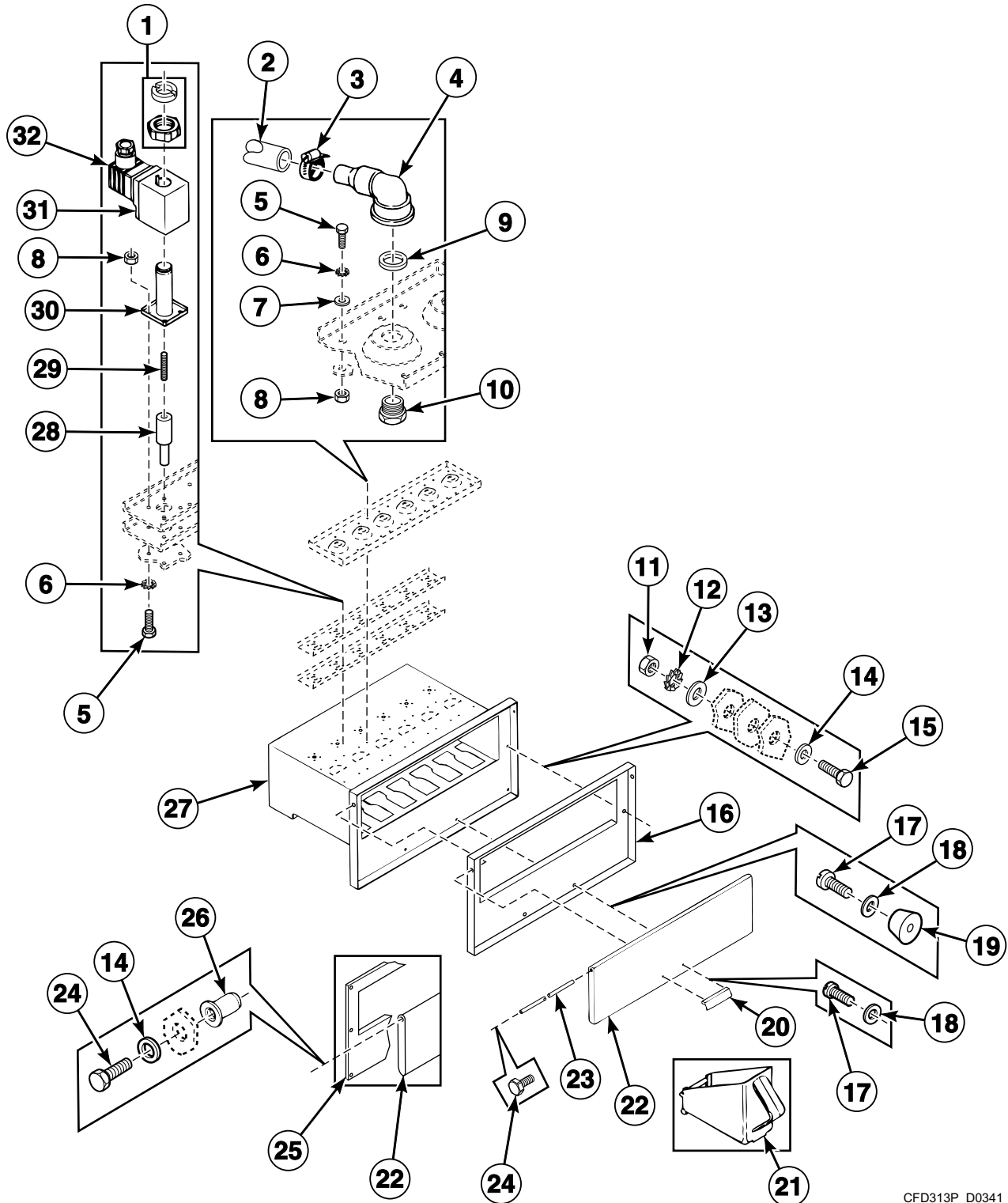


CFD312P_D0341

Supply Dispenser Plumbing - Models with Mueller Valves

REF	PART NO.	DESCRIPTION	COMMENTS
1	153/00043/00	Inlet	
2	207/00111/00	Screw	
3	203/00004/00	Washer	
4	202/00101/00	Washer	
5	223/00071/00	Hose Clamp	
6	223/00183/00	Drain Hose	
7	253/00020/00	T-Piece	
8	223/00289/00	Water Inlet Grid	
9	223/00011/00	Hose Clamp	
10	223/00059/00	Water Hose	
11	253/00021/00	Reducing Tee	
12	223/00014/00	Hose Clamp	
13	223/00186/00	Hose	
14	253/00019/00	Clamp	
15	223/00187/00	Soap Dispenser to Tub Hose	
16	153/00026/01	Assembly Plate Spray	
17	153/00026/02	Inlet Valve Plate	
18	153/00026/06	Inlet Valve Plate	Upper
19	246/00181/00	Rubber Strip	
20	211/00088/00	Cable Tie	
21	211/00104/00	Tie Holder	

Supply Dispenser Plumbing - Models with Dhnfoss Valves

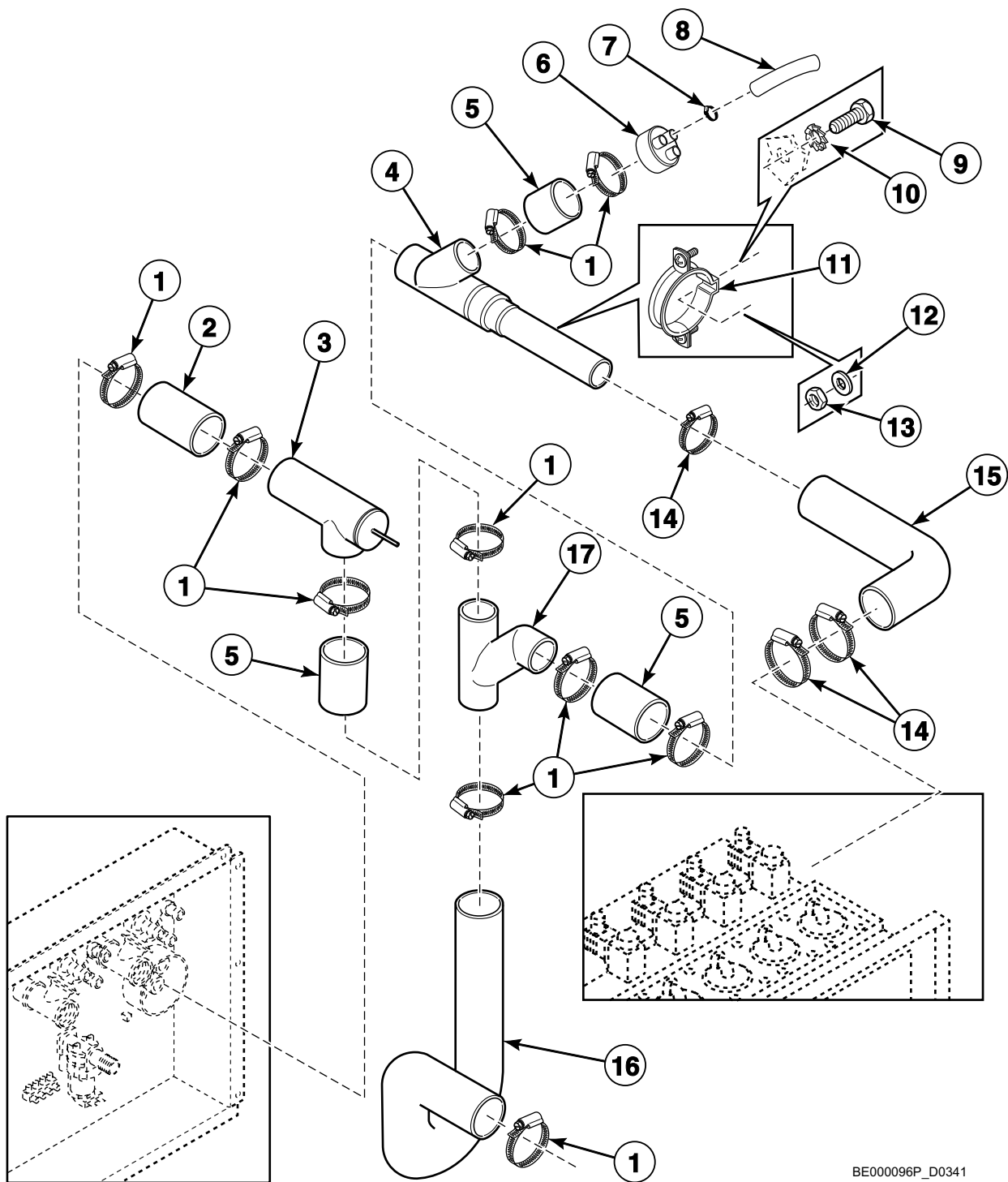


CFD313P_D0341

Supply Dispenser Plumbing - Models with Dhnfoss Valves

REF	PART NO.	DESCRIPTION	COMMENTS
1	209/01306/00	Nut	
2	223/00044/00	Water Hose	
3	223/00011/00	Hose Clamp	
4	211/10149/00	Flow Nozzle	
5	205/00116/00	Bolt	
6	203/00006/00	Washer	
7	202/00109/00	Washer	
8	204/00105/00	Nut	
9	223/00176/00	O-Ring	
10	211/10147/00	Mounting Piece	
11	204/00106/00	Nut	
12	203/00004/00	Washer	
13	202/00106/00	Washer	
14	202/00101/00	Washer	
15	207/00103/00	Screw	
16	153/00026/24	Front Panel	
17	207/00110/00	Screw	
18	202/00102/00	Washer	
19	223/00008/01	Handle Grommet	
20	223/00008/05	Soap Dispenser Cover Handle	
21	253/00012/00	Soap Dispenser	
22	153/00026/12	Soap Dispenser Cover	
23	153/00026/13	Hinge	
24	205/00107/00	Bolt	
25	153/00026/14	Front Panel	
26	204/00301/00	Bushing	
27	153/00026/99	Soap Dispenser	
28	211/10158/00	Valve Guide	
29	224/00048/00	Spring	
30	209/00306/04	Core Holder	
31	209/00306/02	Coil	
32	209/00306/18	Terminal Connector	

Overflow and Inlet Plumbing

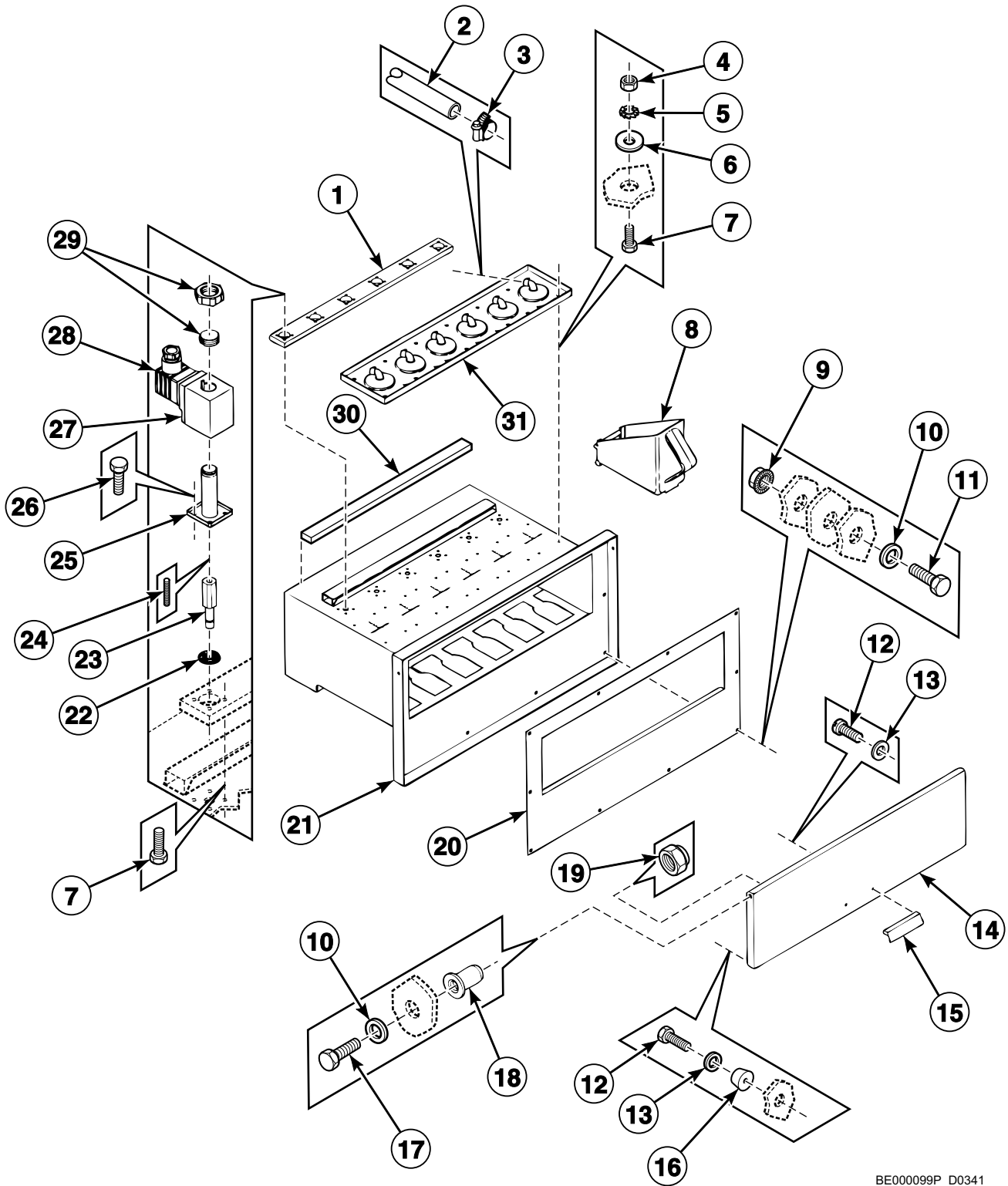


BE000096P_D0341

Overflow and Inlet Plumbing

REF	PART NO.	DESCRIPTION	COMMENTS
1	223/00071/00	Hose Clamp	
2	223/00219/00	Soap Inlet Hose Kit	
3	253/00029/00	Elbow	
4	253/00021/00	Reducing Tee	
5	223/00141/00	Drain Valve to Drain Pipe Hose	
6	223/00289/00	Water Inlet Grid	
7	223/00011/00	Hose Clamp	
8	223/00059/00	Water Hose	
9	205/00105/00	Bolt	
10	203/00004/00	Washer	
11	253/00019/00	Clamp	
12	202/00110/00	Washer	
13	204/00106/00	Nut	
14	223/00014/00	Hose Clamp	
15	223/00186/00	Hose	
16	223/00187/00	Soap Dispenser to Tub Hose	

Supply Dispenser

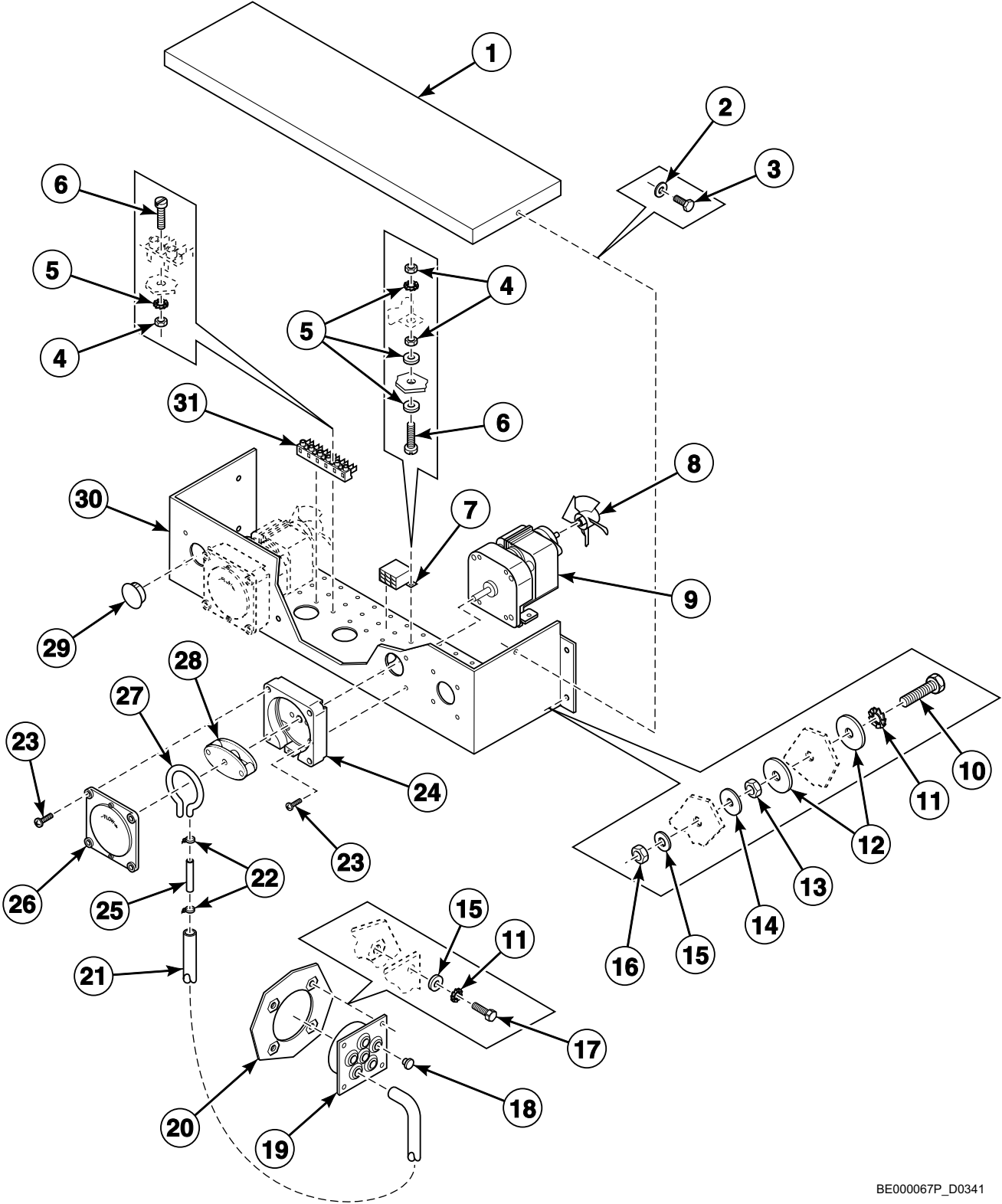


BE000099P_D0341

Supply Dispenser

REF	PART NO.	DESCRIPTION	COMMENTS
1	253/00027/00	Assembly Plate	
2	223/00044/00	Water Hose	
3	223/00011/00	Hose Clamp	
4	204/00105/00	Nut	
5	203/00006/00	Washer	
6	202/00109/00	Washer	
7	205/00116/00	Bolt	
8	253/00012/00	Soap Dispenser	
9	206/00101/00	Nut	
10	202/00101/00	Washer	
11	205/00105/00	Bolt	
12	207/00110/00	Screw	
13	202/00102/00	Washer	
14	153/00026/12	Soap Dispenser Cover	
15	223/00008/05	Soap Dispenser Cover Handle	
16	223/00008/01	Handle Grommet	
17	207/00126/00	Screw	
18	204/00301/00	Bushing	
19	204/00009/00	Nut	
20	153/00026/14	Front Panel	
21	153/00026/99	Soap Dispenser	
22	223/00208/00	Washer	
23	211/10158/00	Valve Guide	
24	224/00048/00	Spring	
25	209/00306/04	Core Holder	
26	205/00120/00	Bolt	
27	209/00306/02	Coil	
28	209/00306/18	Terminal Connector	
29	209/01306/00	Nut	
30	246/00181/00	Rubber Strip	
31	153/00026/01	Assembly Plate Spray	

Liquid Supply Pump - Through Supply Dispenser

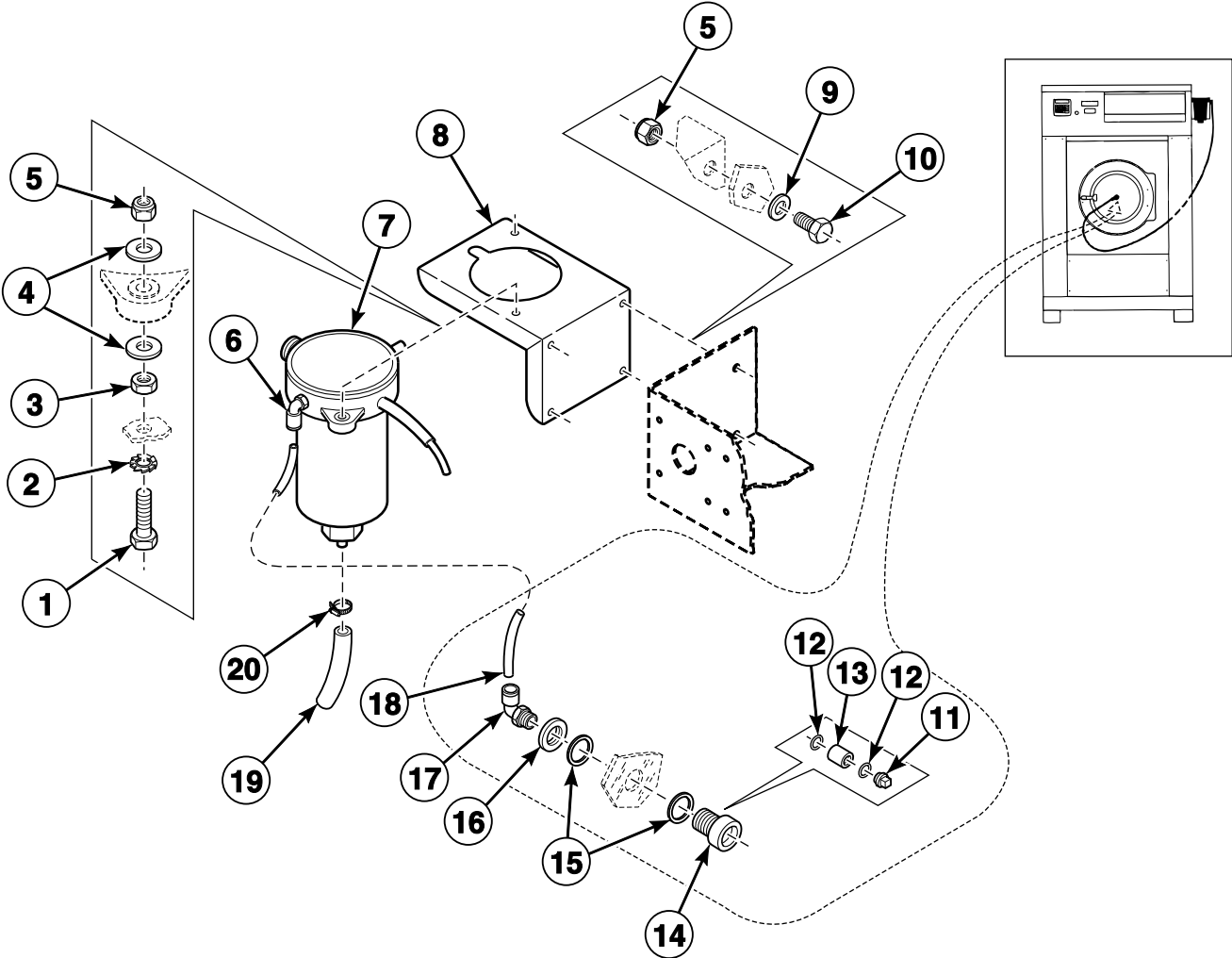


BE000067P_D0341

Liquid Supply Pump - Through Supply Dispenser

REF	PART NO.	DESCRIPTION	COMMENTS
1	111/00234/01	Pump Flow Top	
2	202/00109/00	Washer	
3	205/00113/00	Bolt	
4	204/00007/00	Nut	
5	203/00006/00	Washer	
6	207/00003/00	Screw	
7	209/00141/00	Plug	
8	209/00420/05	Fan	
9	209/00420/04	Motor	
10	205/00103/00	Bolt	
11	203/00004/00	Washer	
12	202/00108/00	Washer	
13	204/00005/00	Nut	
14	202/00106/00	Washer	
15	202/00101/00	Washer	
16	204/00009/00	Nut	
17	205/00104/00	Bolt	
18	211/00129/00	Plug	
19	153/00043/00	Inlet	
20	225/00019/00	Holder	
21	223/00179/00	Soap Injector Hose	
22	211/00088/00	Cable Tie	
23	209/00420/07	Screw	
24	209/00420/02	Pump Housing	
25	223/00180/00	Soap Injector Hose	
26	209/00420/06	Cover Plate	
27	209/00420/01	Hose	
28	209/00420/03	Pressure Roller	
29	211/00087/00	Plug	
30	111/00234/00	Pump Flow Assembly	
31	210/10007/00	Connection	

Liquid Supply Pump - Through Door Glass

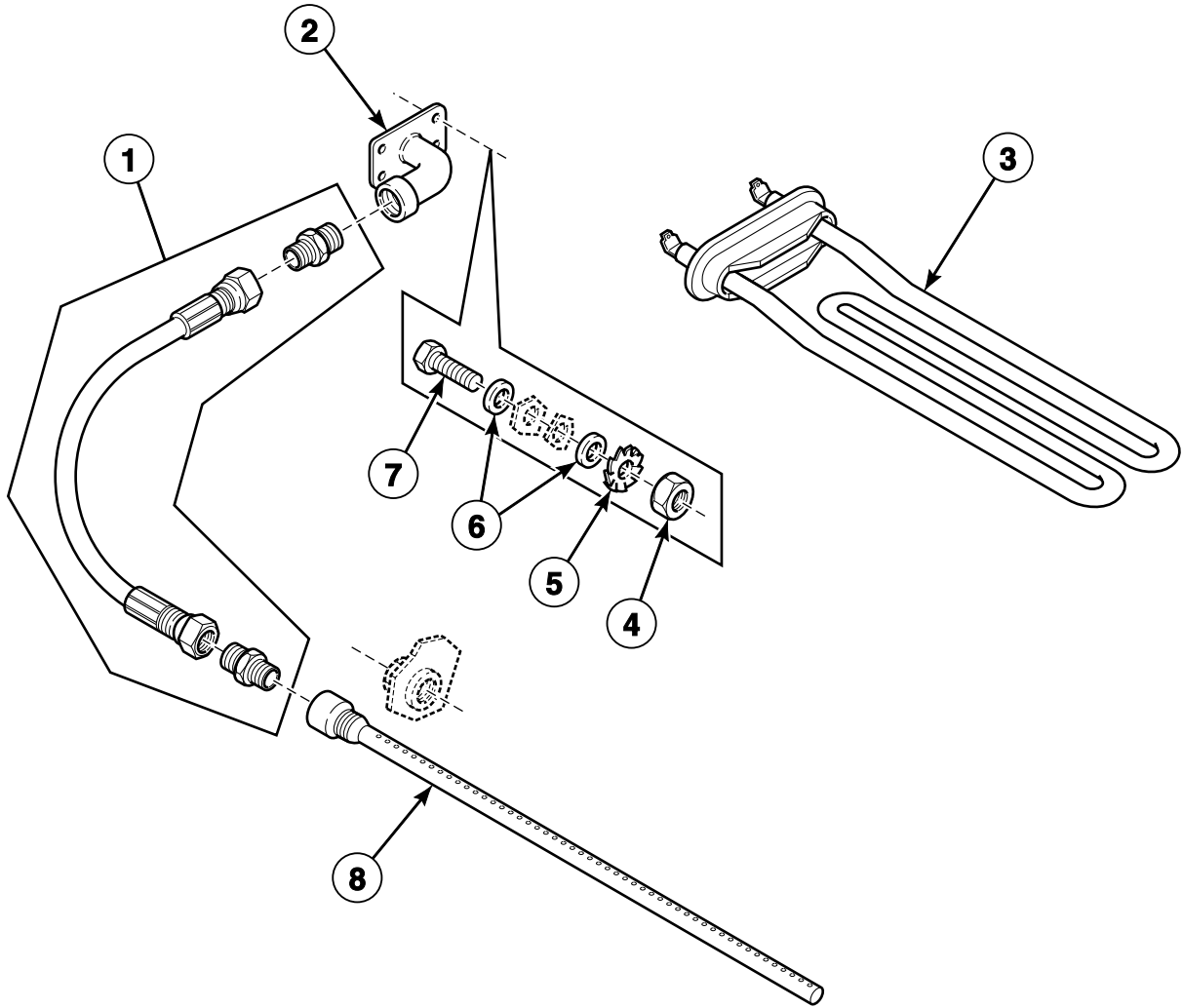


BE000068P_D0341

Liquid Supply Pump - Through Door Glass

REF	PART NO.	DESCRIPTION	COMMENTS
1	205/00103/00	Bolt	
2	203/00004/00	Washer	
3	204/00106/00	Nut	
4	202/00101/00	Washer	
5	204/00009/00	Nut	
6	223/00181/00	Soap Injector Elbow Coupling	
7	209/00369/00	Liquid Soap Spray Pump	
8	111/10179/00	Spray Pump Mounting Plate	
9	201/00007/00	Washer	
10	205/00107/00	Bolt	
11	223/00178/00	Soap Injector Orifice	
12	223/00177/00	O-Ring	
13	211/00126/00	Soap Injector Orifice Nipple	
14	211/00127/00	Soap Injector Connector	
15	223/00176/00	O-Ring	
16	211/10106/00	Nut	
17	223/00182/00	Soap Injector Coupling	
18	223/00180/00	Soap Injector Hose	
19	223/00179/00	Soap Injector Hose	
20	211/00088/00	Cable Tie	

Electric and Steam Heating Options

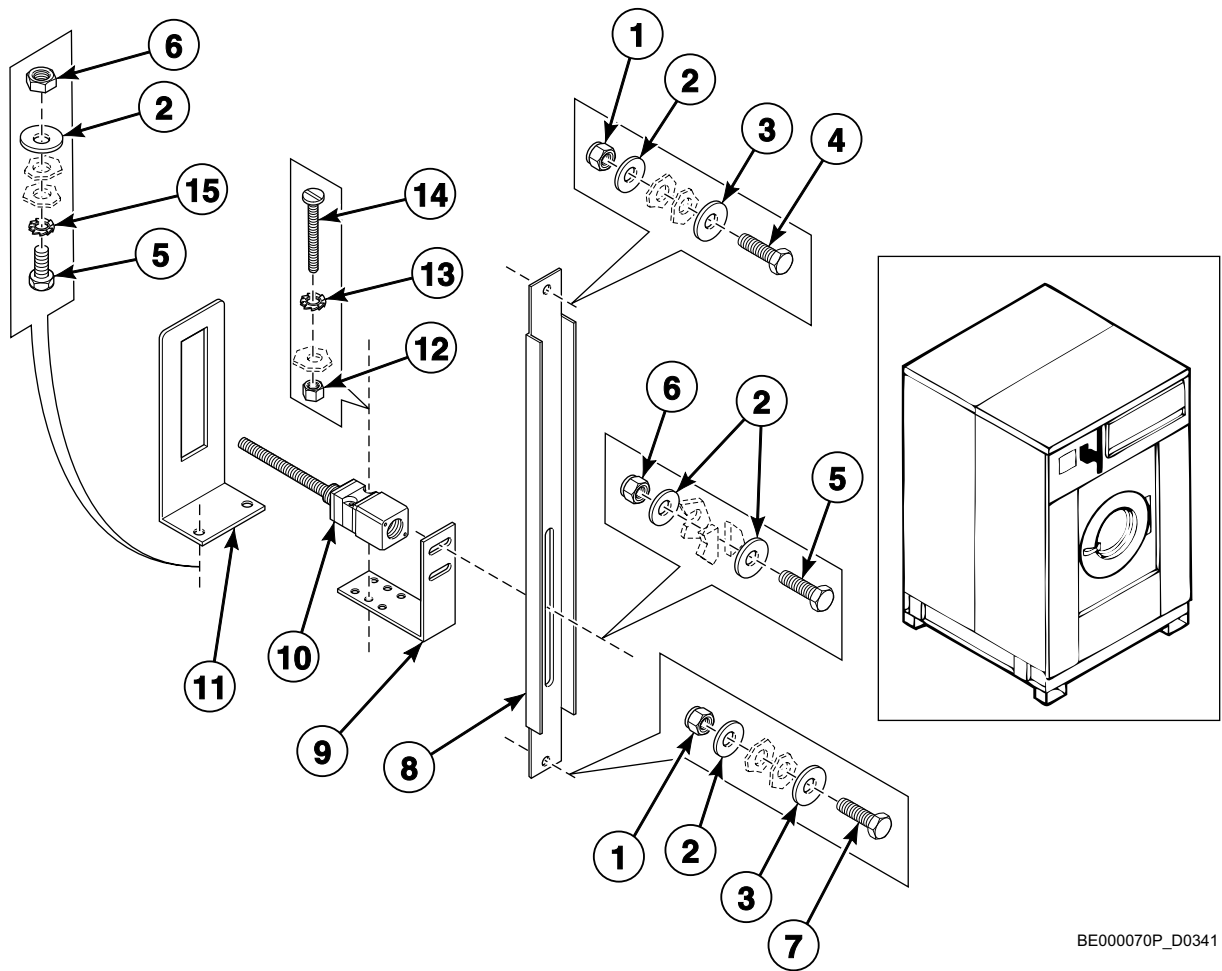


BE000069P_D0341

Electric and Steam Heating Options

REF	PART NO.	DESCRIPTION	COMMENTS
1	217/00026/00	Steam Hose	
2	153/00047/00	Steam Connection Inlet	
3	209/00049/00	Heating Element	3000W; 220/240 Volt
	209/00581/00	Heating Element	4000W; 380 Volt
4	204/00106/00	Nut	
5	203/00004/00	Washer	
6	202/00106/00	Washer	
7	205/00105/00	Bolt	
8	153/00048/00	Steam Injector	

Balance Switch



BE000070P_D0341

Balance Switch

REF	PART NO.	DESCRIPTION	COMMENTS
1	204/00009/00	Nut	
2	202/00106/00	Washer	
3	202/00101/00	Washer	
4	205/00107/00	Bolt	
5	205/00104/00	Bolt	
6	204/00106/00	Nut	
7	207/00111/00	Screw	
8	153/00045/00	Out-of-Balance Switch Plate	
9	111/00107/00	Tilt Switch Bracket	
10	209/00255/00	Out-of-Balance Switch	
11	153/00046/00	Out-of-Balance Detector Plate	
12	204/00105/00	Nut	
13	206/00006/00	Bolt	
14	207/00018/00	Screw	
15	203/00004/00	Washer	