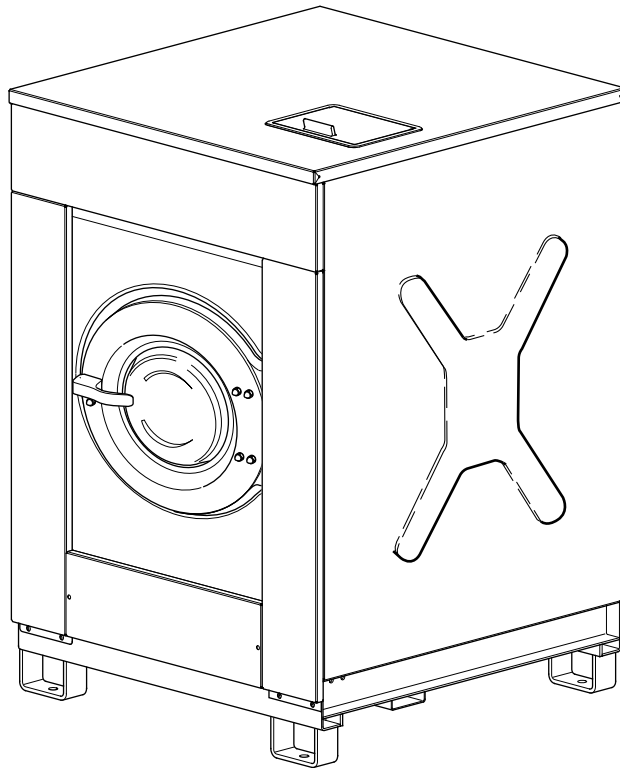


Washer-Extractor

Refer to Page 3 for Model Numbers



CFD22C_D0341

Model Identification



Information in this manual is applicable to these washer-extractor models:

HF450_PC30
HF450_PS40
HF450_PS40F

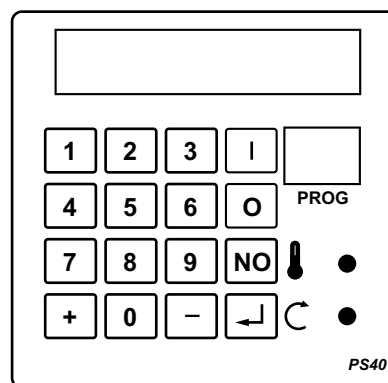
HF570_PC30
HF570_PS40
HF570_PS40F

Cabinet Freestanding Washer-Extractor Product Overview

1
2

| | | | |
|--|---------------|---|-------------|
| Type: | HF450P | Nr: | 07110580147 |
| Voltage: | 3 ~ 380V 50Hz | Weight: | 1787 kg |
| Motor: | 7.5 kW 20 A | Capacity: | 575 L |
| Heating: | 36 kW 60 A | Dry Load: | 57 kg |
| Total: | 43.50 kW | Drum: | 980 mm |
| Kinetic energy: | 23257N/M | Speed: | 800 rpm |
| Manufactured in: | 2007 | | |
| Water Pressure: min. 2.07 max. 5.86 Kg/cm ² IPX4 min. 20.7 max. 58.6 N/cm ² | | | |
| sfc 741295 | | | |
|  Alliance International BVBA Nieuwstraat 146 8560 Wevelgem Belgium Tel: +32 56 41 20 54 Fax: +32 56 41 86 74 www.ipsobelgium.be | |  | |

Label 1



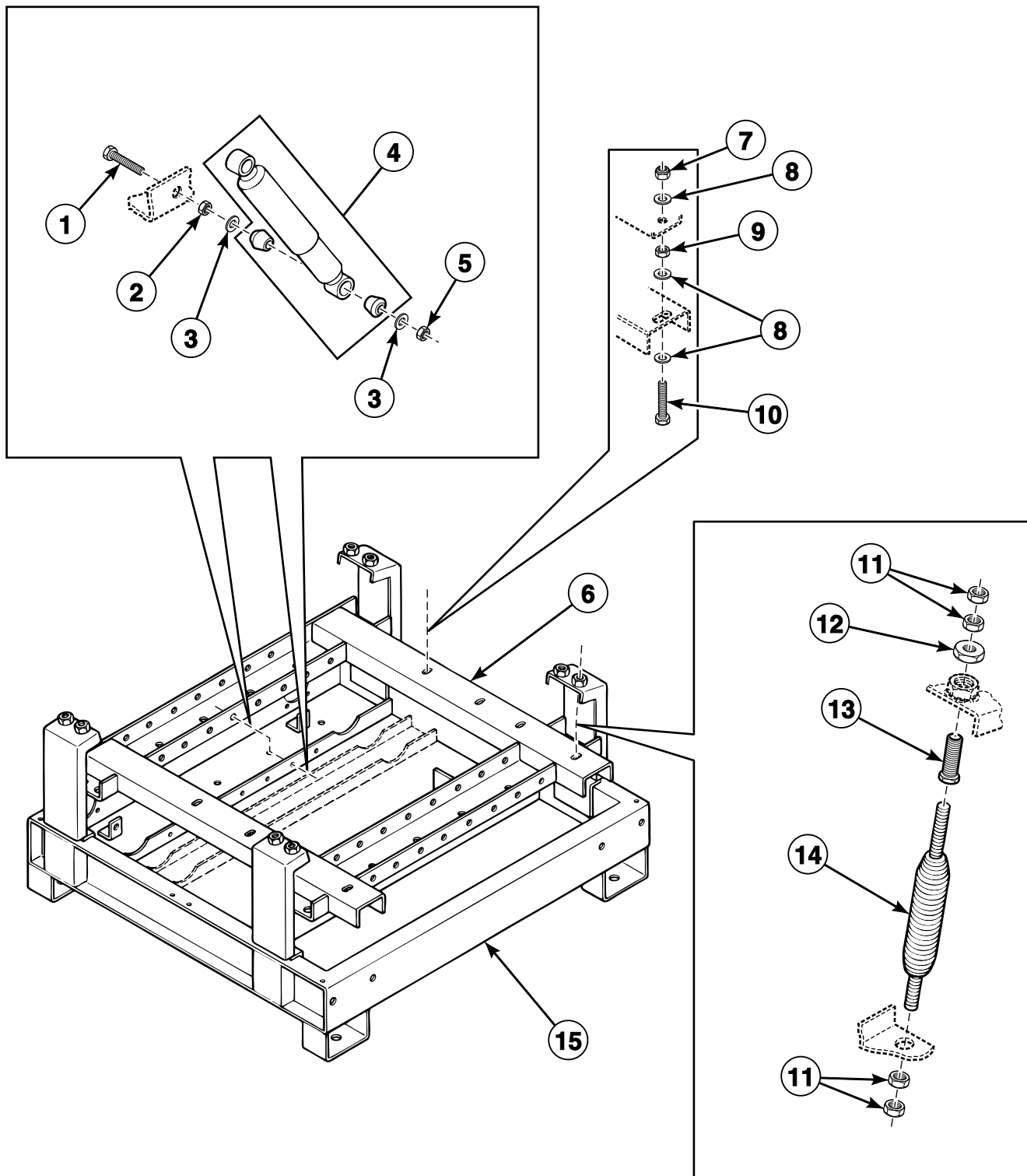
PS40

CFD304P_D0341

Cabinet Freestanding Washer-Extractor Product Overview

| REF | PART NO. | DESCRIPTION | COMMENTS |
|-----|----------|----------------|------------|
| 1 | - | Product Family | HF |
| 2 | - | Capacity | 450 570 |

Base and Shock Absorber

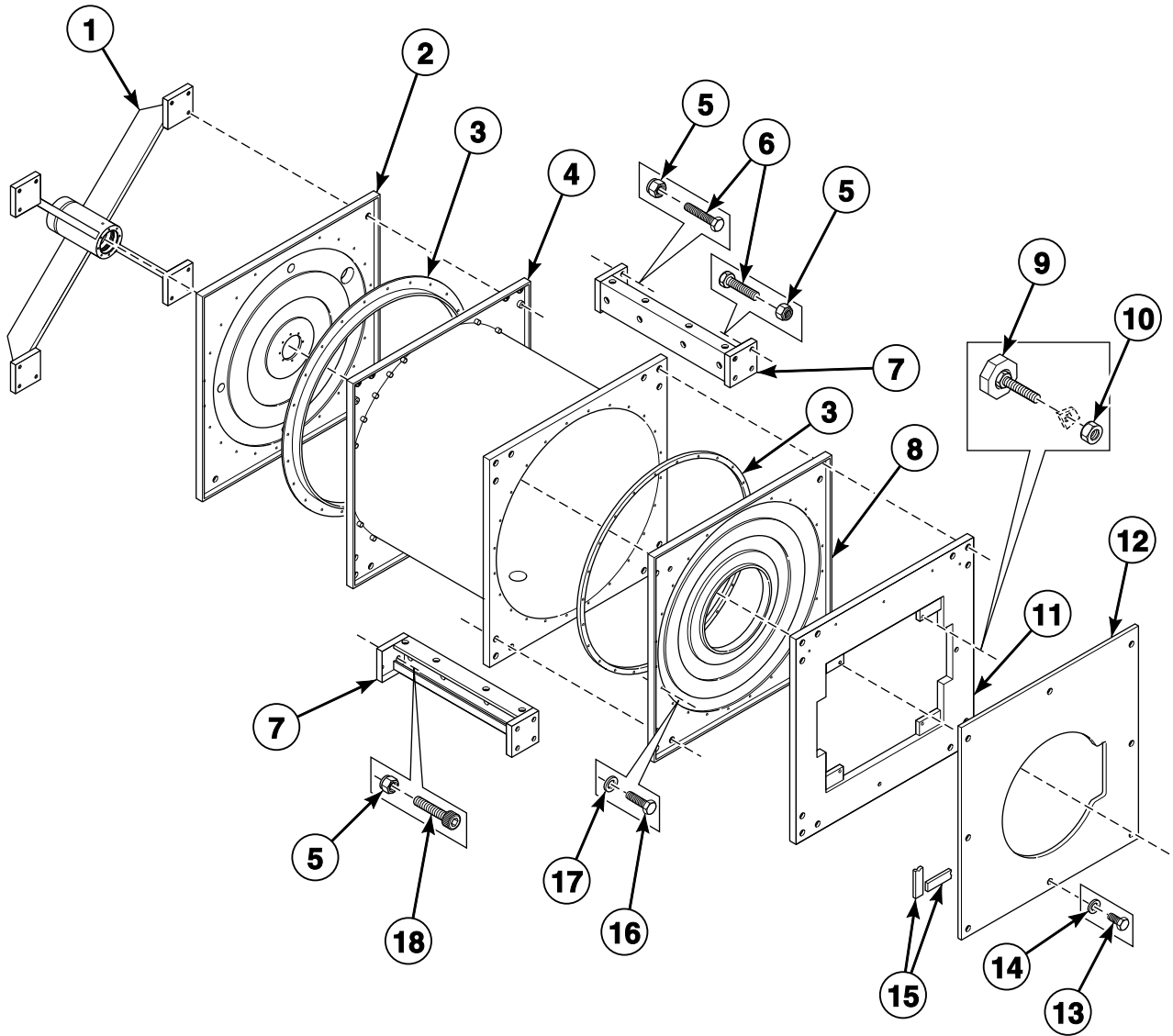


BE000051P_D0341

Base and Shock Absorber

| REF | PART NO. | DESCRIPTION | COMMENTS |
|-----|--------------|-------------------|--------------|
| 1 | 206/00045/00 | Bolt | |
| 2 | 204/00001/00 | Nut | |
| 3 | 201/00013/00 | Washer | |
| 4 | 247/00008/00 | Shock Absorber | |
| 5 | 204/00112/00 | Nut | |
| 6 | 153/00011/00 | Tub Support | HF450 models |
| | 153/00012/00 | Tub Support | HF570 models |
| 7 | 204/00113/00 | Nut | |
| 8 | 201/00001/00 | Washer | |
| 9 | 204/00019/00 | Nut | |
| 10 | 206/00070/00 | Bolt | |
| 11 | 204/00012/00 | Nut | |
| 12 | 204/00016/00 | Nut | |
| 13 | 224/00046/00 | Bolt | |
| 14 | B12456301 | Suspension Spring | |
| 15 | 153/00009/00 | Frame | HF450 models |
| | 153/00010/00 | Frame | HF570 models |

Shell

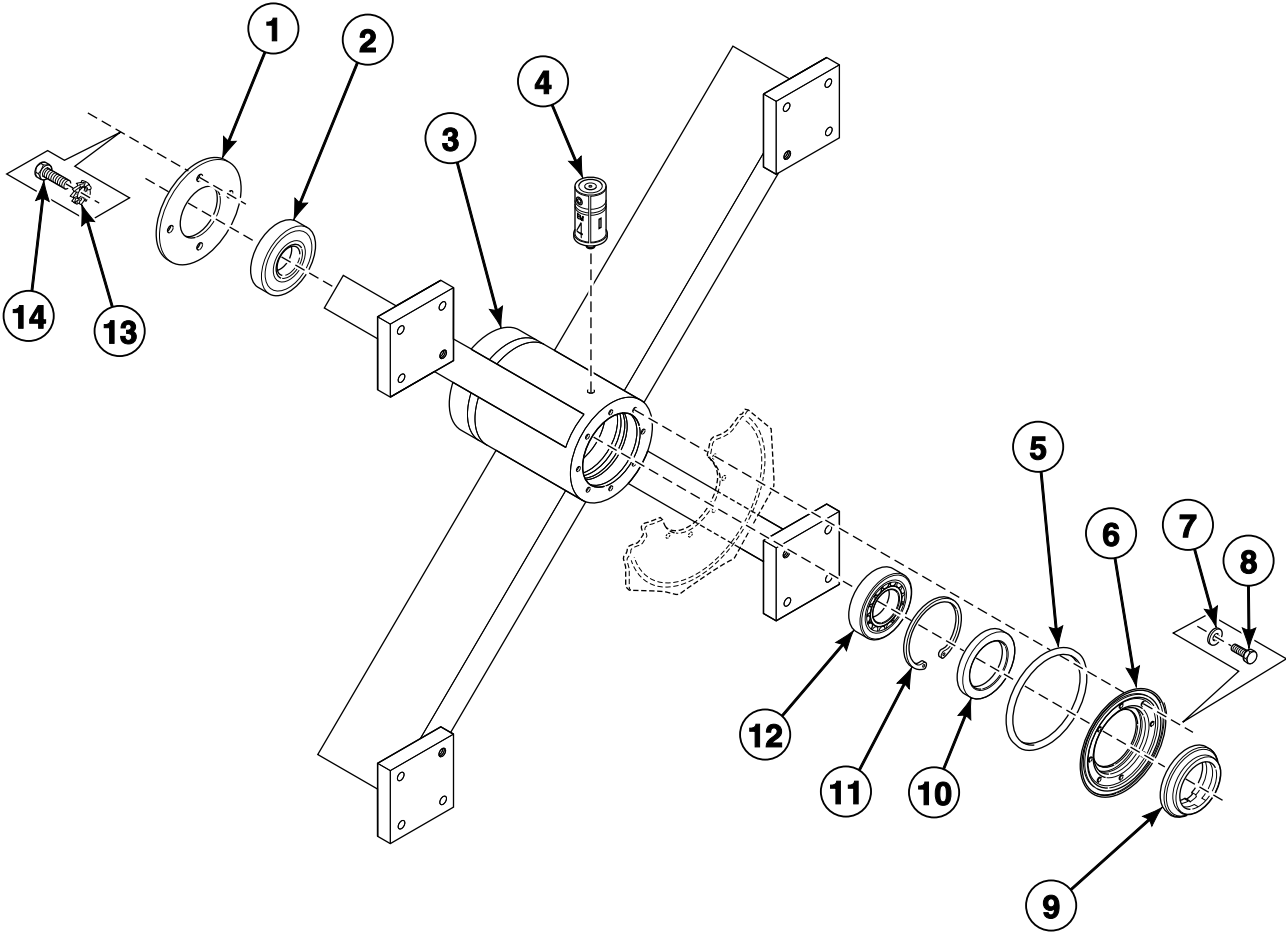


BE000052P_D0341

Shell

| REF | PART NO. | DESCRIPTION | COMMENTS |
|-----|--------------|-------------------|--------------|
| 1 | 253/00002/00 | Bearing Housing | |
| 2 | 153/00014/00 | Back Panel | |
| 3 | 223/00168/00 | Tub Gasket | |
| 4 | 153/00019/00 | Tub | HF450 models |
| | 153/00020/00 | Tub | HF570 models |
| 5 | 204/00113/00 | Nut | |
| 6 | 206/00122/00 | Bolt | |
| 7 | 153/00022/00 | Tub Support | HF450 models |
| | 153/00023/00 | Tub Support | HF570 models |
| 8 | 153/00013/00 | Front Panel | |
| 9 | 252/00006/00 | Leveling Leg | |
| 10 | 204/00003/00 | Nut | |
| 11 | 153/00004/00 | Counterweight | |
| 12 | 153/00101/00 | Front Panel Plate | |
| 13 | 205/00102/00 | Bolt | |
| 14 | 202/00105/00 | Washer | |
| 15 | 246/00092/00 | Gasket | |
| 16 | 205/00105/00 | Bolt | |
| 17 | 202/00110/00 | Washer | |
| 18 | 206/00125/00 | Screw | |

Bearing Housing

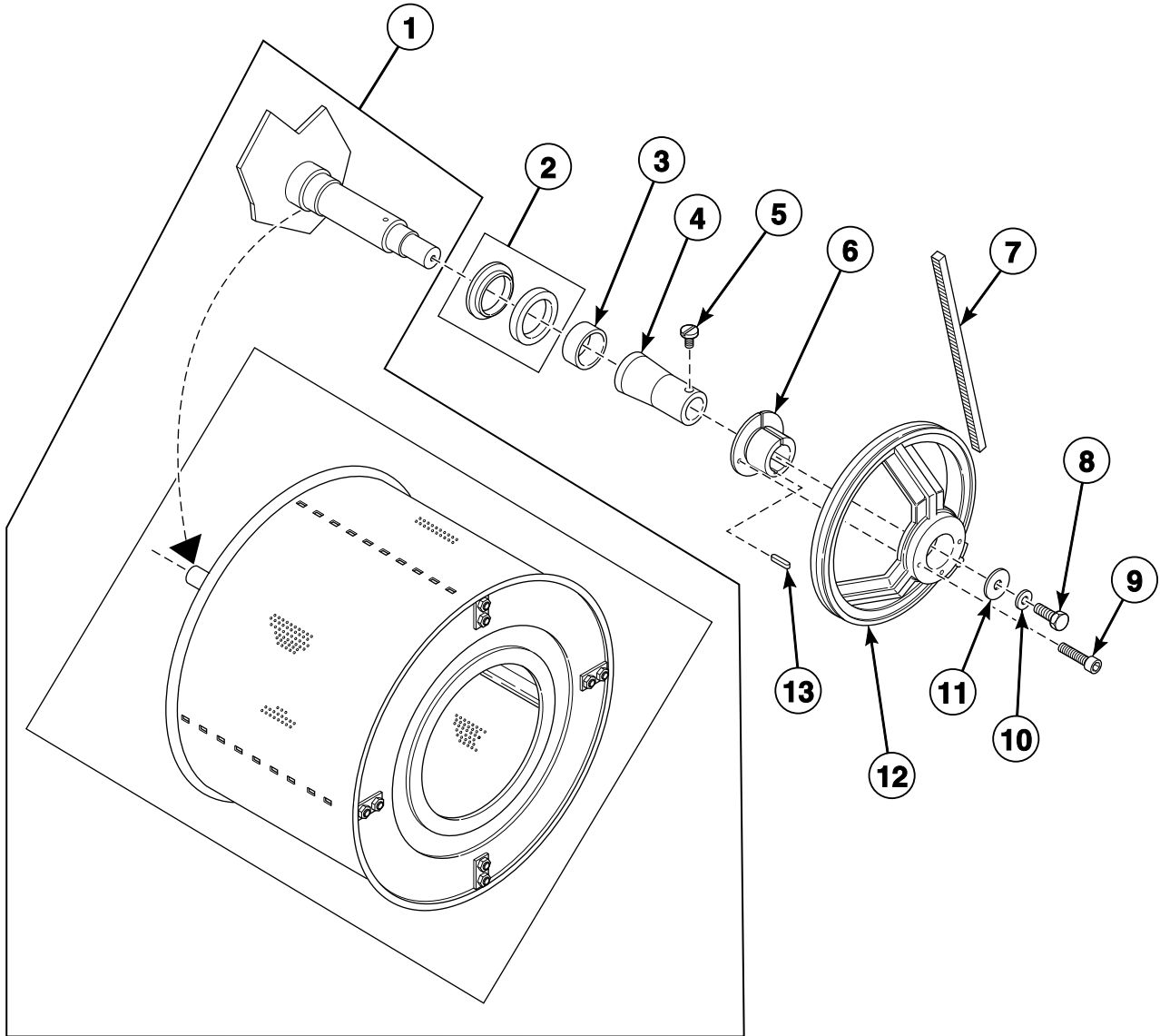


BE000053AP_D0341

Bearing Housing

| REF | PART NO. | DESCRIPTION | COMMENTS |
|-----|--------------|---------------------|----------|
| 1 | 153/00041/00 | Bearing Cover Plate | |
| 2 | 212/00004/00 | Ball Bearing | |
| 3 | 253/00002/00 | Bearing Housing | |
| 4 | 212/00002/00 | Lubricator | |
| 5 | 231/00036/00 | O-Ring | |
| 6 | 131/00035/00 | Seal Cover Plate | |
| 7 | 201/00202/00 | Washer | |
| 8 | 205/00104/00 | Bolt | |
| 9 | 231/00037/00 | Shaft Seal | |
| 10 | 253/00009/00 | Grease Ring | |
| 11 | 253/00008/00 | Cerclips | |
| 12 | 253/00007/00 | Bearing | |
| 13 | 203/00002/00 | Washer | |
| 14 | 206/00006/00 | Bolt | |

Basket, Pulley and Belt

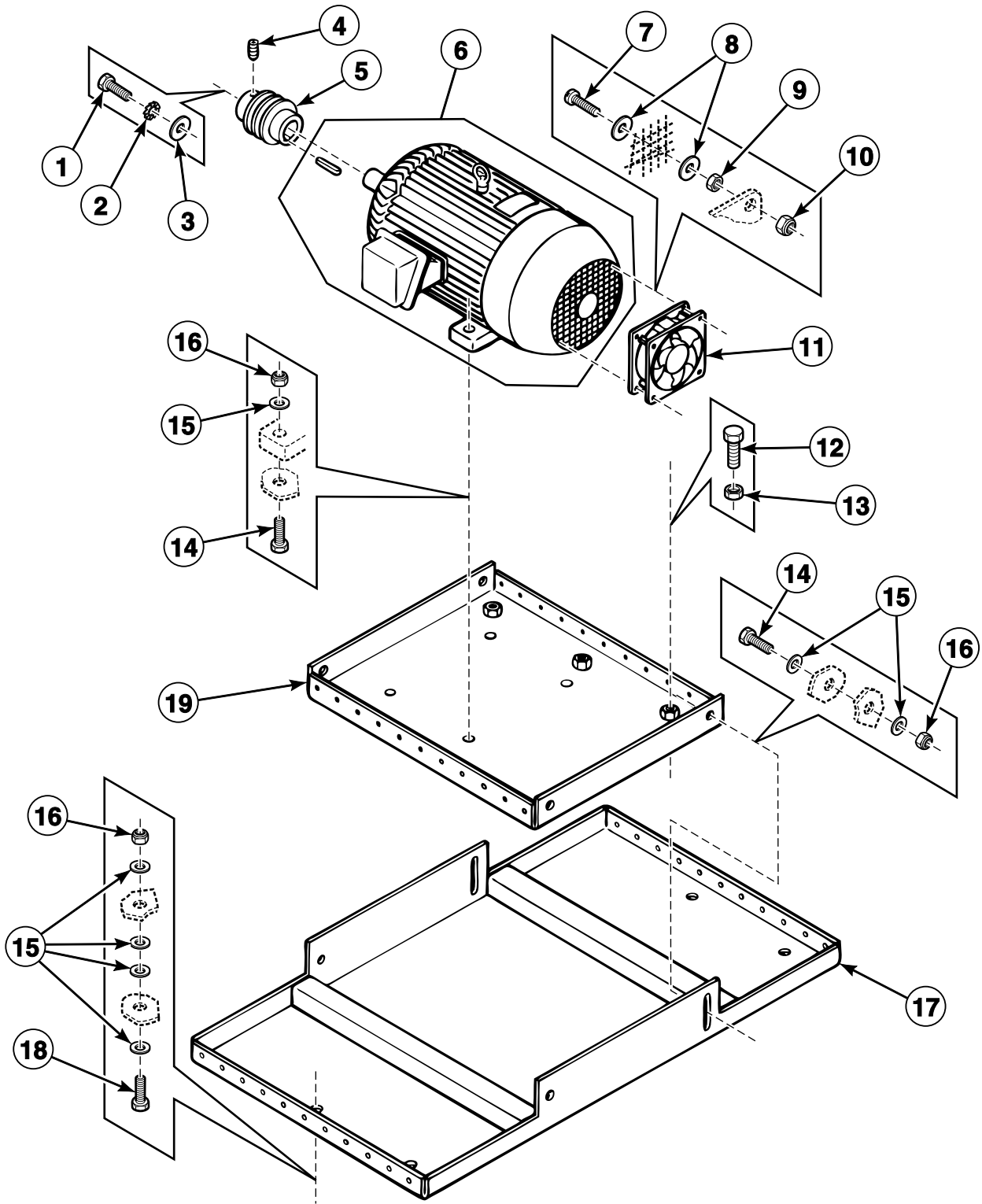


BE000054P_D0341

Basket, Pulley and Belt

| REF | PART NO. | DESCRIPTION | COMMENTS |
|-----|--------------|---------------|--|
| 1 | 153/00035/00 | Drum and Axle | HF450 models |
| | 153/00036/00 | Drum and Axle | HF570 models |
| 2 | 232/00008/00 | Counter Ring | |
| 3 | 253/00007/00 | Bearing | |
| 4 | 153/00005/00 | Pipe | |
| 5 | 207/00110/00 | Screw | |
| 6 | 212/00009/01 | Pulley Hub | |
| 7 | 253/00010/00 | V-Belt | 2280 mm long; Used with 253/00013/00 Pulley and B12511401 Motor |
| | 226/00116/00 | V-Belt | 2300 mm long; Used with 253/00024/00 Pulley and 227/00132/00 Motor |
| 8 | 206/00004/00 | Bolt | |
| 9 | 212/00009/02 | Bolt | |
| 10 | 203/00001/00 | Washer | |
| 11 | 201/00011/00 | Washer | |
| 12 | 226/00090/00 | Pulley | |
| | 253/00026/01 | Pulley | Includes clamping bushing |
| 13 | 212/00026/00 | Key | |

Motor

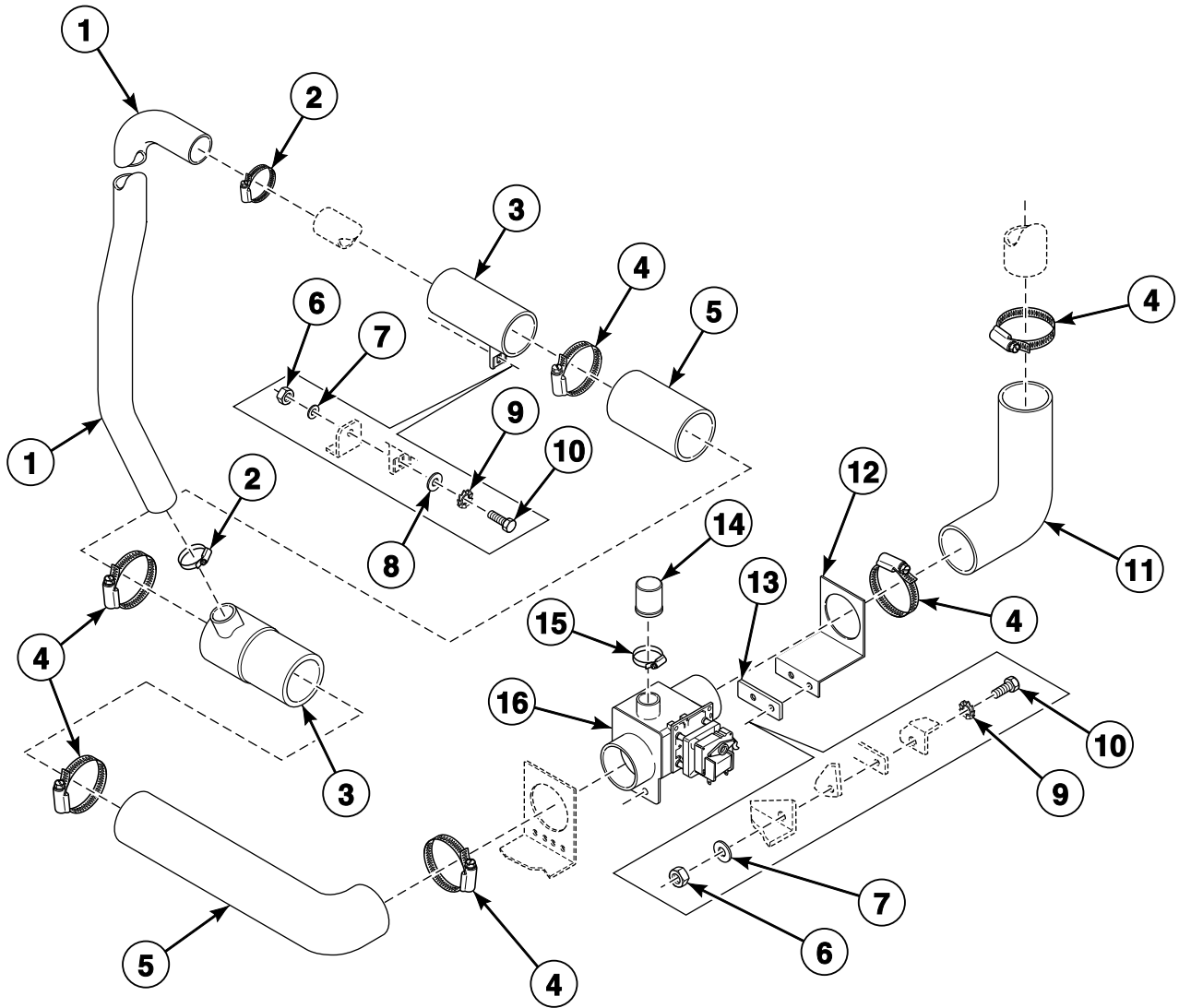


BE000055P_D0341

Motor

| REF | PART NO. | DESCRIPTION | COMMENTS |
|-----|--------------|-------------|---|
| 1 | 206/00004/00 | Bolt | |
| 2 | 203/00001/00 | Washer | |
| 3 | 201/00011/00 | Washer | |
| 4 | 206/00031/00 | Screw | |
| 5 | 253/00013/00 | Pulley | Used with 253/00010/00 Belt and B12511401 Motor |
| | 253/00024/00 | Pulley | Used with 226/00116/00 Belt and 227/00132/00 Motor |
| 6 | B12511401 | Motor | Used with 253/00010/00 Belt and 253/00013/00 Pulley |
| | 227/00132/00 | Motor | Used with 226/00116/00 Belt and 253/00024/00 Pulley |
| 7 | 207/00003/00 | Screw | |
| 8 | 201/00008/00 | Washer | |
| 9 | 204/00007/00 | Nut | |
| 10 | 204/00114/00 | Nut | |
| 11 | 209/00287/00 | Cooling Fan | |
| 12 | 206/00122/00 | Bolt | |
| 13 | 204/00012/00 | Nut | |
| 14 | 248/00114/00 | Bolt | |
| 15 | 201/00001/00 | Washer | |
| 16 | 204/00113/00 | Nut | |
| 17 | 153/00024/00 | Motor Plate | |
| 18 | 206/00072/00 | Bolt | |
| 19 | 153/00025/00 | Motor Plate | |

Drain Plumbing - Single Drain

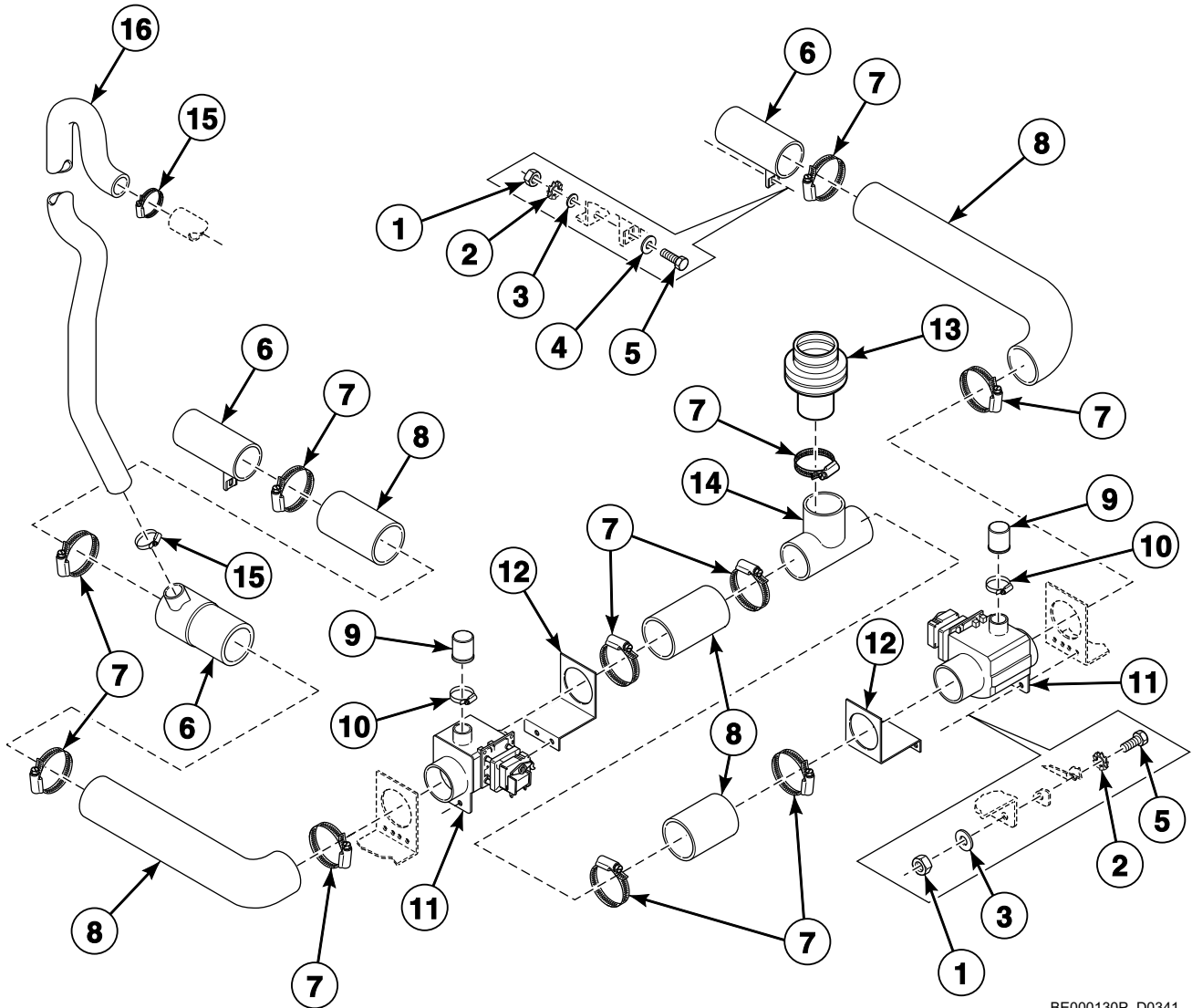


BE000056P_D0341

Drain Plumbing - Single Drain

| REF | PART NO. | DESCRIPTION | COMMENTS |
|-----|--------------|--------------------------------|----------|
| 1 | 223/00184/00 | Overflow Hose | |
| 2 | 223/00013/00 | Hose Clamp | |
| 3 | 223/00106/00 | Drain Pipe | |
| 4 | 223/00071/00 | Hose Clamp | |
| 5 | 223/00141/00 | Drain Valve to Drain Pipe Hose | |
| 6 | 204/00004/00 | Nut | |
| 7 | 202/00002/00 | Washer | |
| 8 | 201/00010/00 | Washer | |
| 9 | 203/00003/00 | Washer | |
| 10 | 206/00009/00 | Bolt | |
| 11 | 223/00133/00 | Drain Tub to Drain Valve Hose | |
| 12 | 115/00147/00 | Drain Valve Plate Assembly | |
| 13 | 115/00147/01 | Drain Valve Plate Assembly | |
| 14 | 223/00086/00 | Drain Valve Overflow Plug | |
| 15 | 223/00012/00 | Hose Clamp | |
| 16 | 209/00075/00 | Drain Valve | NO |
| | 209/00171/00 | Drain Valve | NC |

Drain Plumbing - Dual Drain

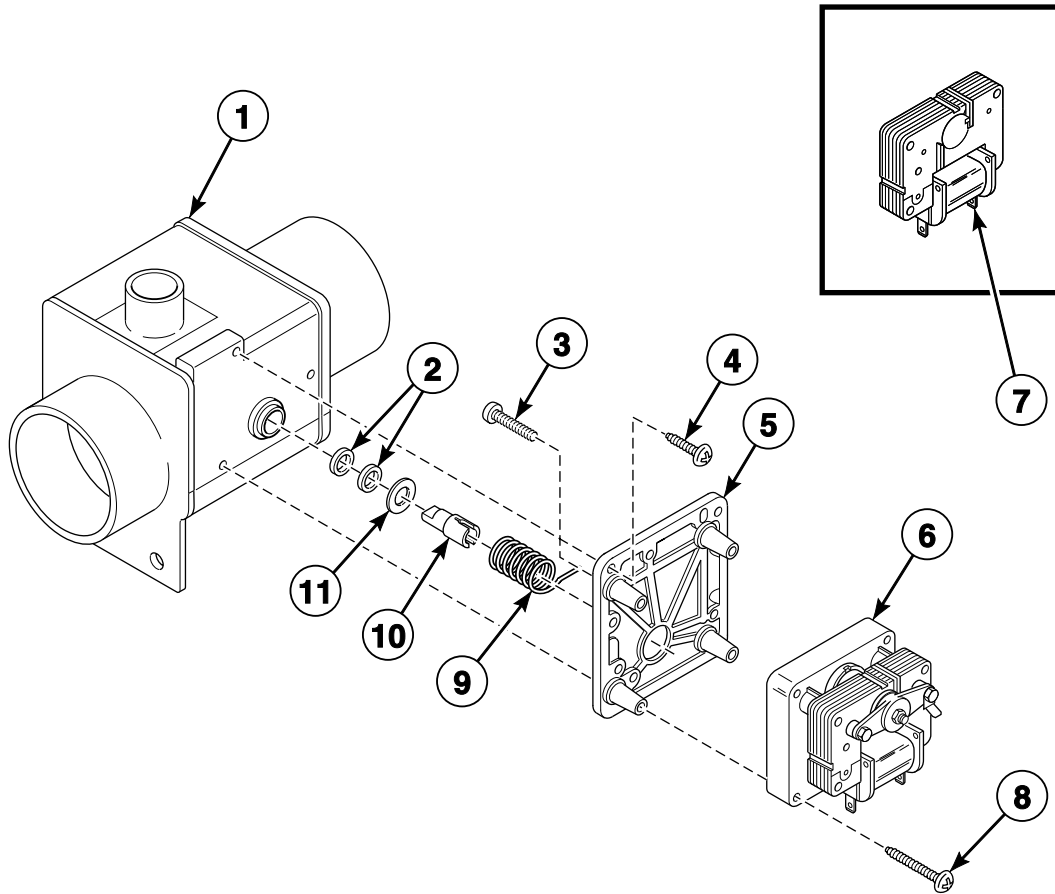


BE000130P_D0341

Drain Plumbing - Dual Drain

| REF | PART NO. | DESCRIPTION | COMMENTS |
|-----|--------------|--------------------------------|----------|
| 1 | 204/00004/00 | Nut | |
| 2 | 203/00003/00 | Washer | |
| 3 | 202/00002/00 | Washer | |
| 4 | 201/00010/00 | Washer | |
| 5 | 206/00009/00 | Bolt | |
| 6 | 223/00106/00 | Drain Pipe | |
| 7 | 223/00071/00 | Hose Clamp | |
| 8 | 223/00141/00 | Drain Valve to Drain Pipe Hose | |
| 9 | 223/00086/00 | Drain Valve Overflow Plug | |
| 10 | 223/00012/00 | Hose Clamp | |
| 11 | 209/00075/00 | Drain Valve | |
| 12 | 115/00147/00 | Drain Valve Plate Assembly | |
| 13 | 223/00170/00 | Exhaust Valve Hose | |
| 14 | 253/00028/00 | T-Piece | |
| 15 | 223/00013/00 | Hose Clamp | |
| 16 | 223/00184/00 | Overflow Hose | |

Drain Valve - Normally Open

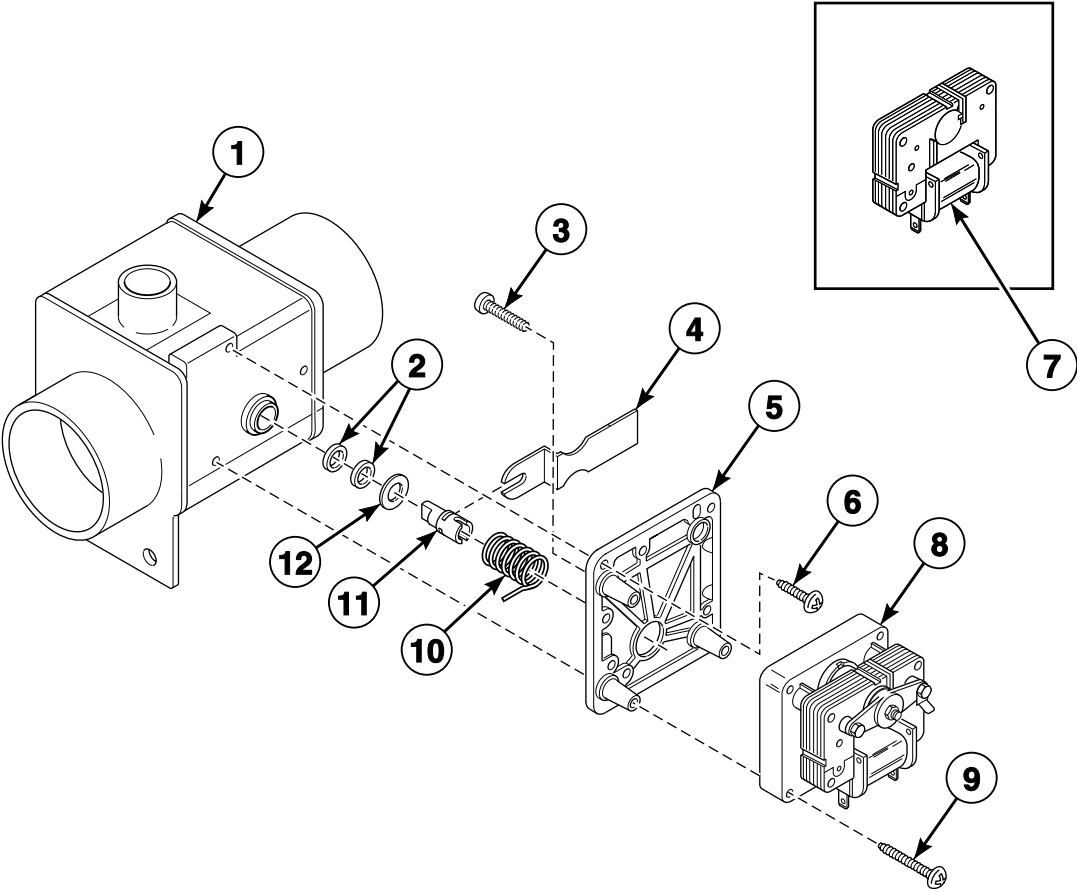


BE000058P_D0341

Drain Valve - Normally Open

| REF | PART NO. | DESCRIPTION | COMMENTS |
|-----|--------------|----------------------------------|-------------------------|
| 1 | 209/00075/05 | Drain Valve | |
| 2 | 209/00025/10 | Drain Valve Shaft Seal | |
| 3 | 209/00025/08 | Screw | |
| 4 | 209/00170/05 | Screw | |
| 5 | 209/00025/07 | Drain Valve Motor Mounting Plate | |
| 6 | 209/00203/11 | Drain Valve Motor | 24 Volt |
| | 209/00052/11 | Drain Valve Motor | 110 Volt/60 Hertz |
| | 209/00051/11 | Drain Valve Motor | 220 Volt/50 or 60 Hertz |
| 7 | 209/00203/21 | Coil | 24 Volt |
| | 209/00052/21 | Coil | 115 Volt/60 Hertz |
| | 209/00051/21 | Coil | 220 Volt/50 or 60 Hertz |
| 8 | 209/00170/07 | Screw | |
| 9 | 209/00025/13 | Drain Valve Spring | |
| 10 | 209/00170/10 | Drain Valve Shaft | |
| 11 | 209/00170/09 | Washer | |

Drain Valve - Normally Closed

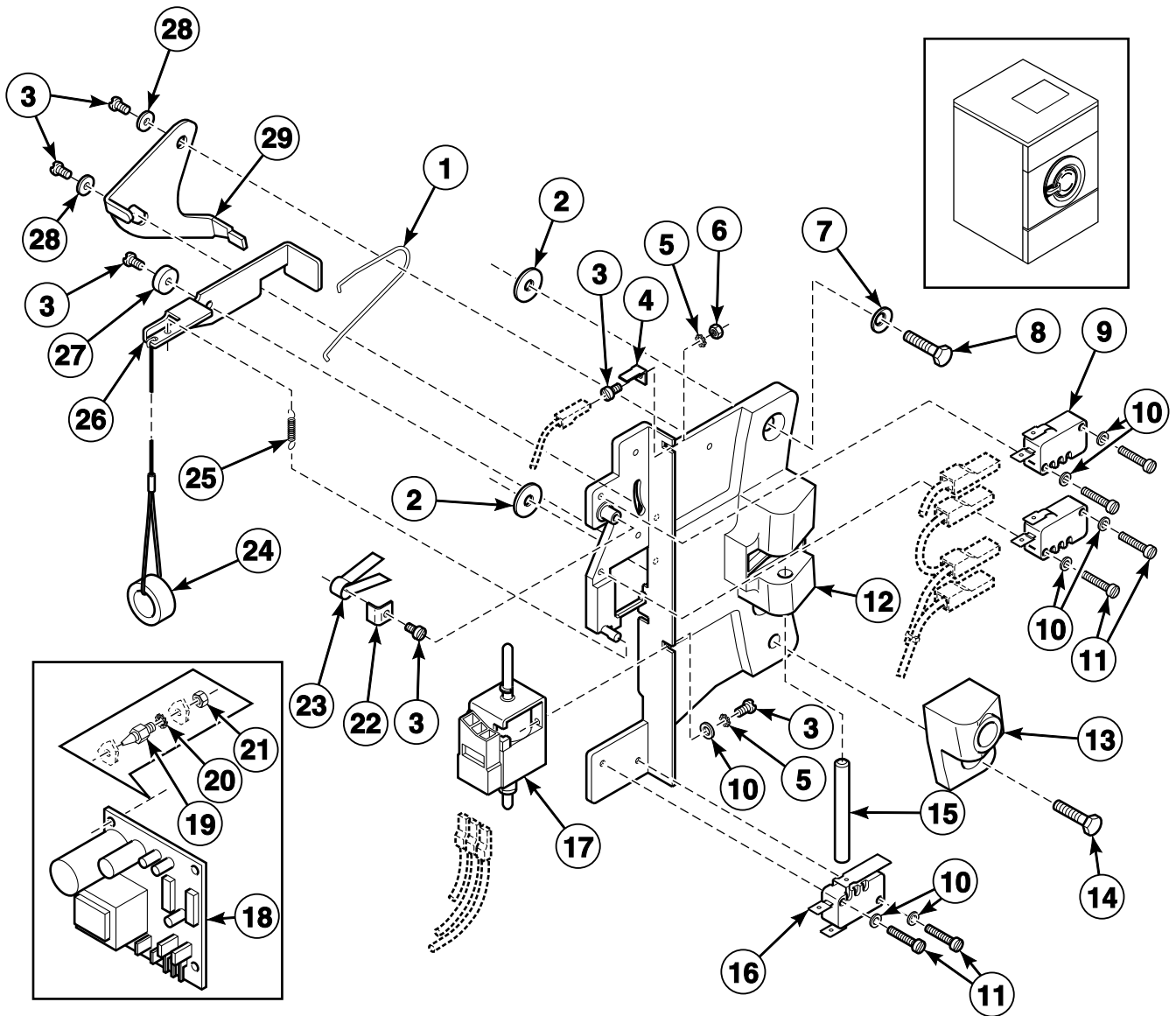


BE000057P_D0341

Drain Valve - Normally Closed

| REF | PART NO. | DESCRIPTION | COMMENTS |
|-----|--------------|----------------------------------|-------------------------|
| 1 | 209/00075/05 | Drain Valve | |
| 2 | 209/00025/10 | Drain Valve Shaft Seal | |
| 3 | 209/00025/08 | Screw | |
| 4 | 209/00115/11 | Drain Valve Handle | |
| 5 | 209/00115/04 | Drain Valve Motor Mounting Plate | |
| 6 | 209/00170/05 | Screw | |
| 7 | 209/00212/11 | Coil | 24 Volt |
| | 209/00052/21 | Coil | 115 Volt/60 Hertz |
| | 209/00051/21 | Coil | 220 Volt/50 or 60 Hertz |
| 8 | 209/00203/12 | Drain Valve Motor | 24 Volt |
| | 209/00052/12 | Drain Valve Motor | 110 Volt/60 Hertz |
| | 209/00170/06 | Drain Valve Motor Assembly | 220 Volt/50 or 60 Hertz |
| 9 | 209/00170/07 | Screw | |
| 10 | 209/00170/02 | Drain Valve Spring | |
| 11 | 209/00170/10 | Drain Valve Shaft | |
| 12 | 209/00025/12 | Washer | |

Door Lock

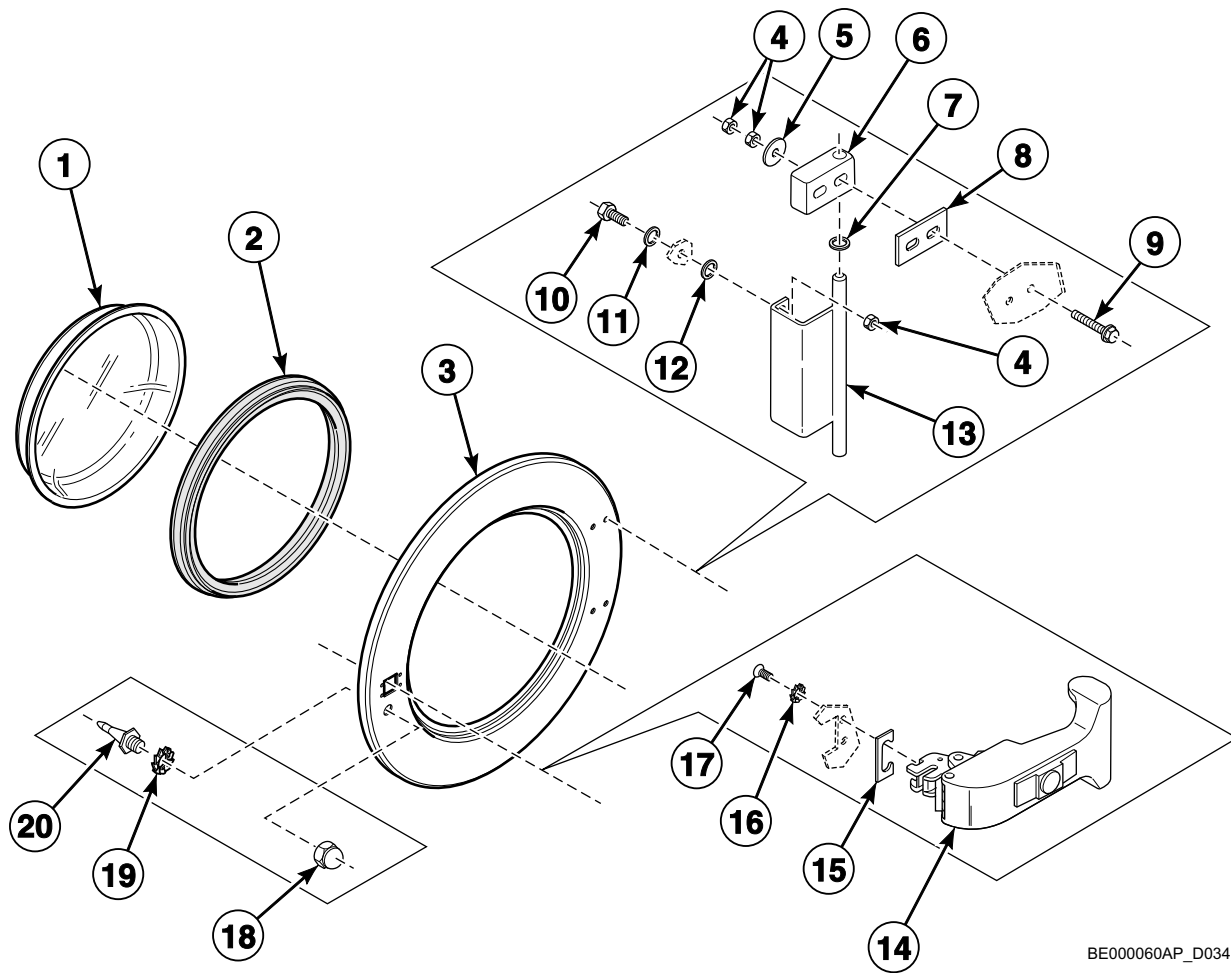


BE000059AP_D0341

Door Lock

| REF | PART NO. | DESCRIPTION | COMMENTS |
|-----|--------------|-----------------------|----------|
| 1 | 224/00040/00 | Lever Spring | |
| 2 | 217/00021/00 | O-Ring | |
| 3 | 207/00135/00 | Screw | |
| 4 | 210/10015/00 | Ground Terminal | |
| 5 | 203/00007/00 | Washer | |
| 6 | 204/00008/00 | Nut | |
| 7 | 203/00010/00 | Washer | |
| 8 | 207/00103/00 | Screw | |
| 9 | 209/00272/00 | Door Lock Microswitch | |
| 10 | 201/00018/00 | Washer | |
| 11 | 207/00009/00 | Screw | |
| 12 | 217/00052/01 | Door Lock Assembly | |
| 13 | 217/00052/02 | Door Lock Pin Kit | |
| 14 | 207/00102/00 | Screw | |
| 15 | 217/00017/03 | Lock Shaft | |
| 16 | 209/00273/00 | Light Microswitch | |
| 17 | 209/00274/00 | Door Lock Solenoid | |
| 18 | 209/00275/04 | Door Lock Board | |
| 19 | 211/00120/00 | Standoff | |
| 20 | 203/00006/00 | Washer | |
| 21 | 204/00007/00 | Nut | |
| 22 | 217/00052/08 | Washer | |
| 23 | 224/00049/00 | Door Lock Spring | |
| 24 | 224/00015/00 | Door Latch Cord | |
| 25 | 224/00043/00 | Interlock Coil Spring | |
| 25 | 217/00052/04 | Interlock Lever | |
| 27 | 217/00052/03 | Door Lock Spacer | |
| 28 | 201/00017/00 | Washer | |
| 29 | 217/00052/05 | Switch Lever | |

Door

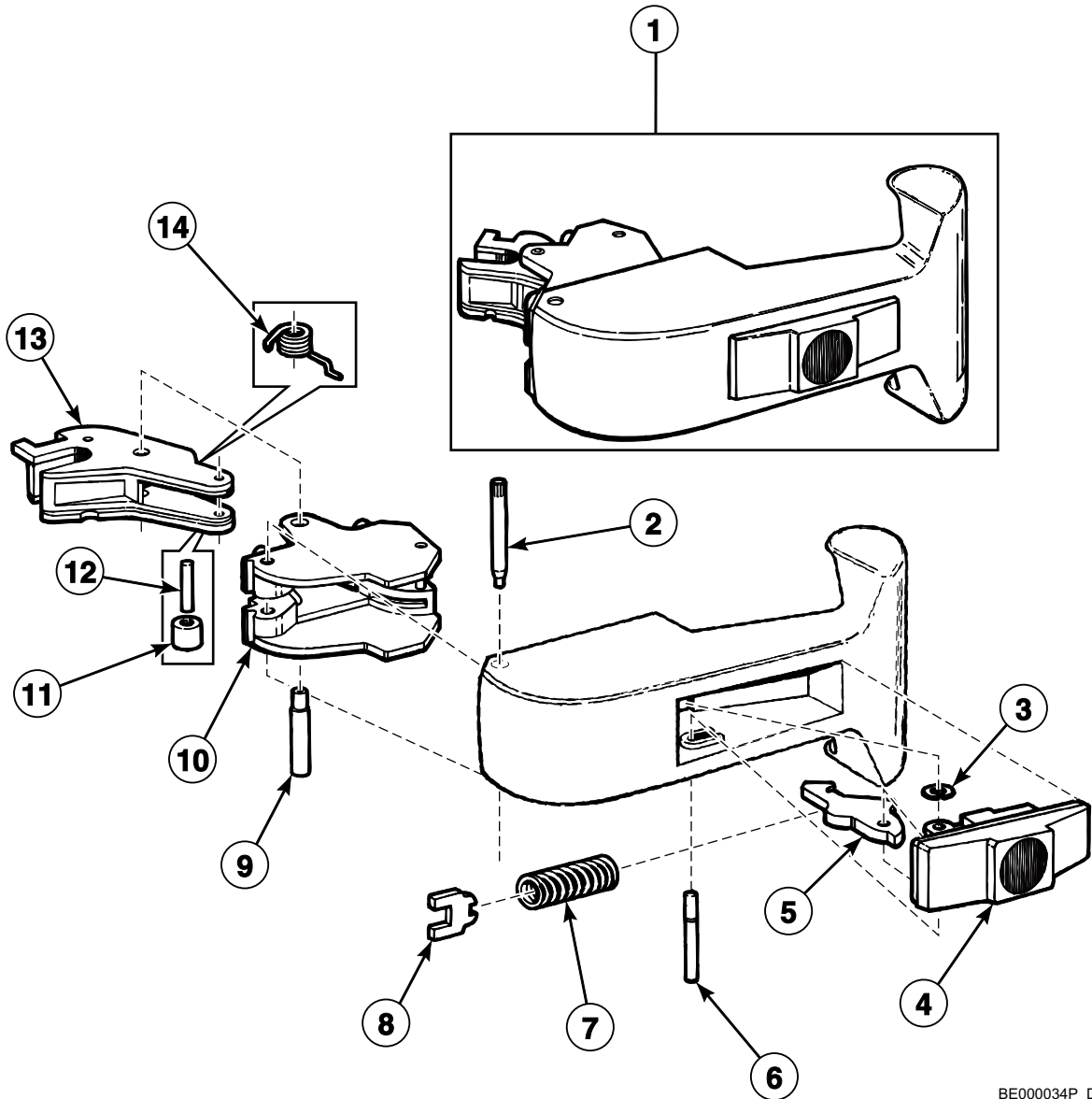


BE000060AP_D0341

Door

| REF | PART NO. | DESCRIPTION | COMMENTS |
|-----|--------------|-------------------|----------|
| 1 | B12449801 | Door Glass | |
| 2 | 223/00068/00 | Door Glass Seal | |
| 3 | 118/00125/00 | Door | |
| 4 | 204/00106/00 | Nut | |
| 5 | 202/00108/00 | Washer | |
| 6 | 253/00022/00 | Door Hinge Block | |
| 7 | 202/00104/00 | Washer | |
| 8 | 117/00010/00 | Door Hinge Spacer | 2 mm |
| 9 | 207/00126/00 | Screw | |
| 10 | 205/00104/00 | Bolt | |
| 11 | 202/00101/00 | Washer | |
| 12 | 217/00021/00 | O-Ring | |
| 13 | 131/00046/00 | Hinge | |
| 14 | 217/00051/00 | Door Handle | |
| 15 | 217/00016/00 | Door Handle Stop | |
| 16 | 203/00008/00 | Washer | |
| 17 | 207/00020/00 | Screw | |
| 18 | 204/00103/00 | Nut | |
| 19 | 203/00011/00 | Washer | |
| 20 | 211/00109/00 | Door Lock Pin Kit | |

Door Handle

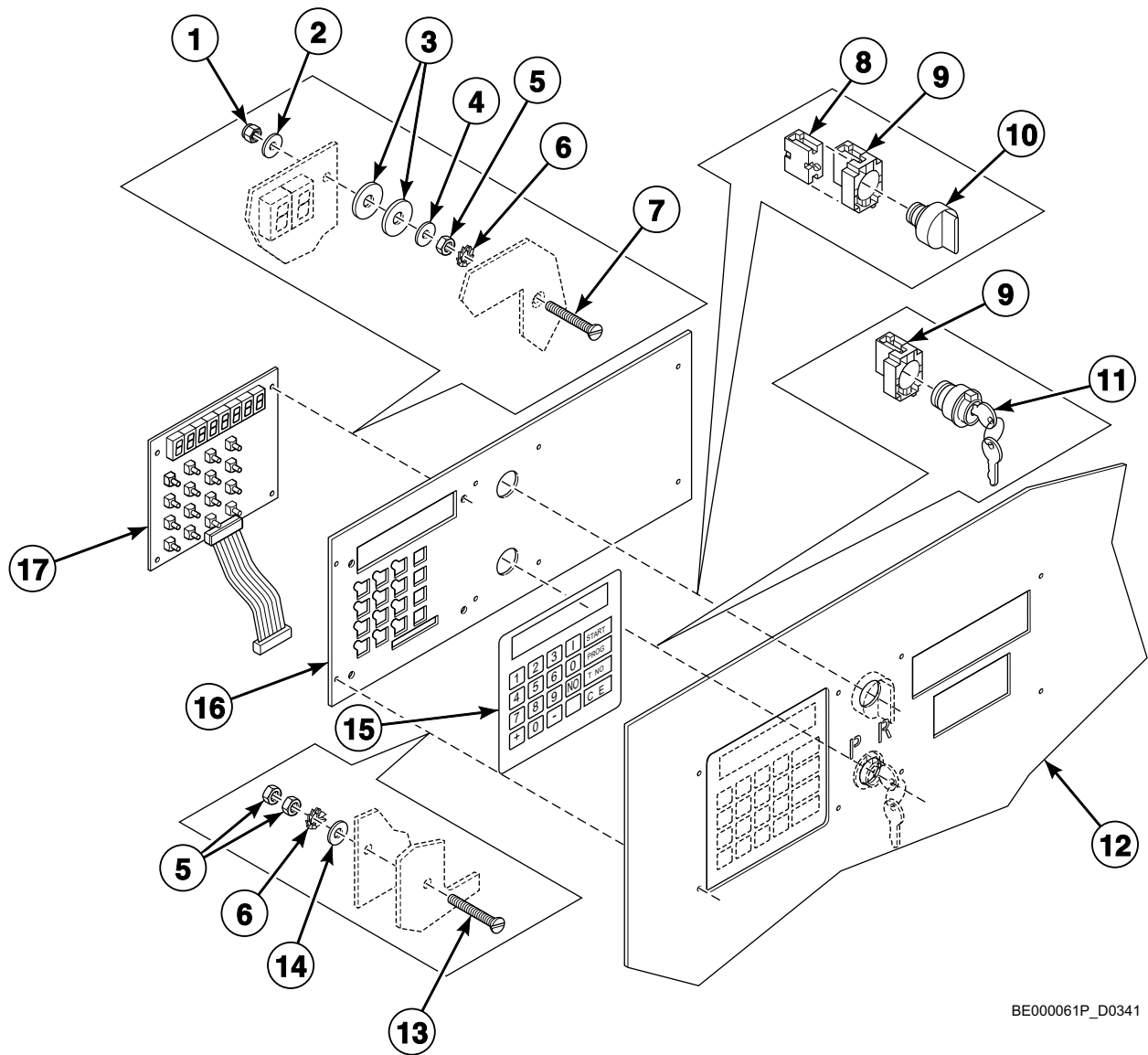


BE000034P_D0341

Door Handle

| REF | PART NO. | DESCRIPTION | COMMENTS |
|-----|--------------|----------------------------|----------|
| 1 | 217/00051/00 | Door Handle | |
| 2 | 217/00013/09 | Door Mounting Pin | |
| 3 | 217/00013/11 | Door Circlip | |
| 4 | 217/00013/12 | Door Handle | |
| 5 | 217/00013/13 | Door Handle Hook | |
| 6 | 217/00013/15 | Door Handle Locking Pin | |
| 7 | 217/00013/14 | Door Handle Spring | |
| 8 | 217/00013/16 | Door Handle Assembly Plate | |
| 9 | 217/00013/08 | Door Locking Pin | |
| 10 | 217/00013/07 | Door Locking Grip | |
| 11 | 217/00013/06 | Door Roller | |
| 12 | 217/00013/05 | Door Axle Roller | |
| 13 | 217/00013/04 | Door Handle Latch | |
| 14 | 217/00013/03 | Door Lock Spring | |

Control Module - PC30

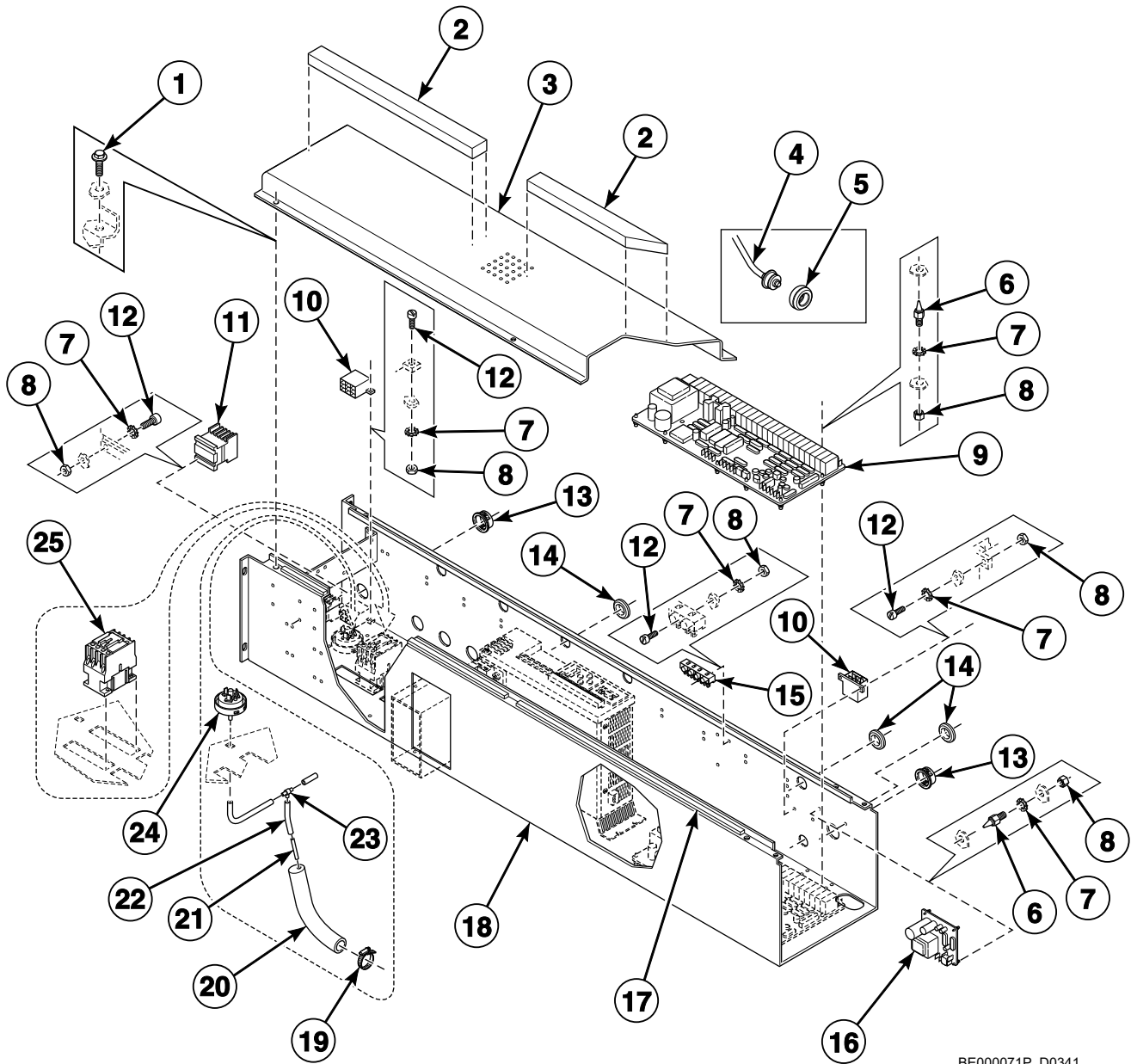


BE000061P_D0341

Control Module - PC30

| REF | PART NO. | DESCRIPTION | COMMENTS |
|-----|--------------|--------------------|----------|
| 1 | 204/00116/00 | Nut | |
| 2 | 223/00123/00 | Washer | |
| 3 | 223/00051/10 | Washer | |
| 4 | 201/00008/00 | Washer | |
| 5 | 204/00008/00 | Nut | |
| 6 | 203/00007/00 | Washer | |
| 7 | 207/00025/00 | Screw | |
| 8 | 209/00099/06 | Contact Switch | |
| 9 | 209/00099/05 | Contact | |
| 10 | 209/00099/09 | Button | |
| 11 | 209/00326/00 | Programming Switch | |
| 12 | 153/00107/00 | Front Panel | |
| 13 | 207/00108/00 | Screw | |
| 14 | 202/00004/00 | Washer | |
| 15 | 229/00245/00 | Label | |
| 16 | 173/00012/00 | Mounting Plate | |
| 17 | 209/00323/01 | Keyboard | |

Electrical Component Mounting Plate - Models with KEB Inverter Drive

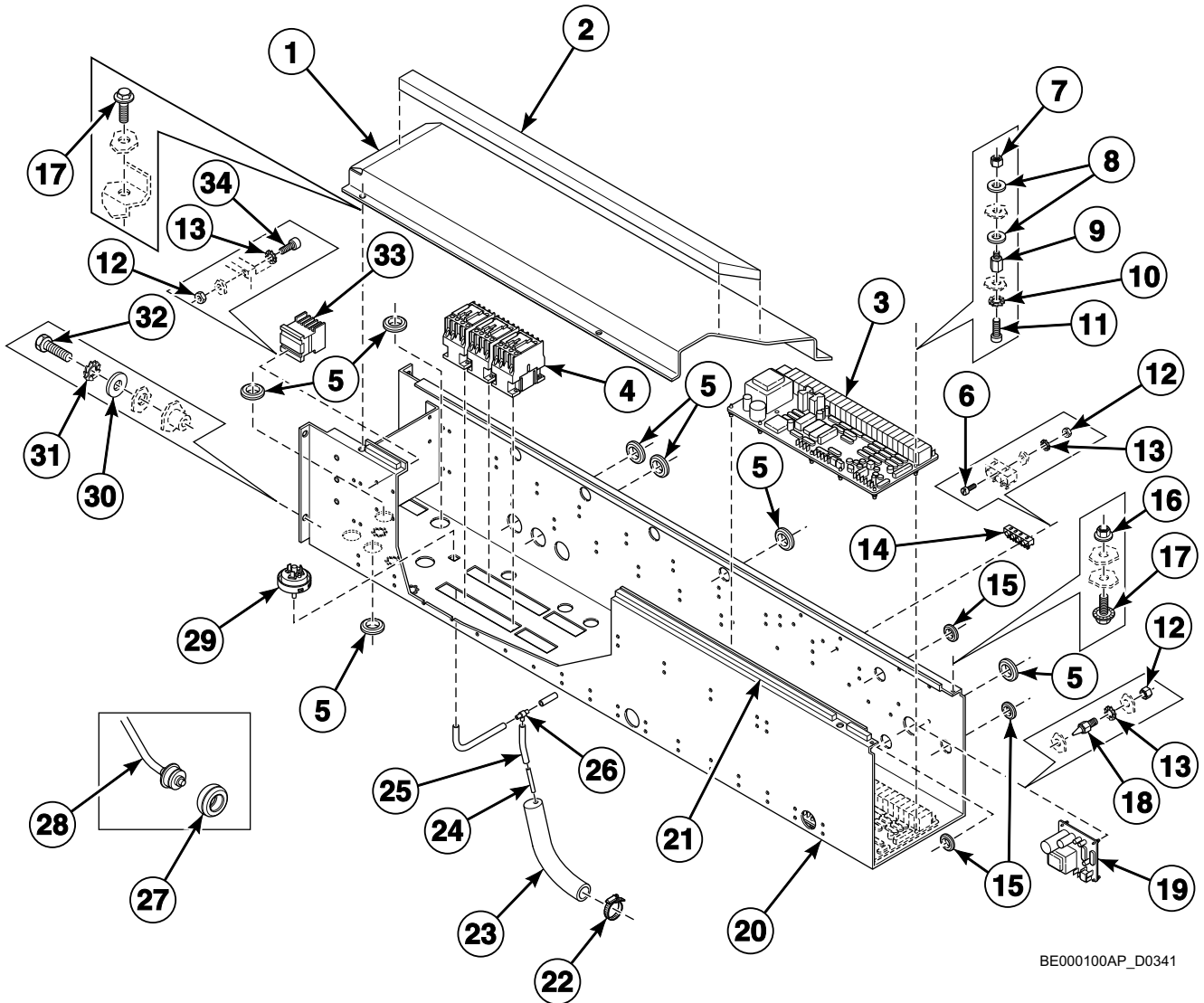


BE000071P_D0341

Electrical Component Mounting Plate - Models with KEB Inverter Drive

| REF | PART NO. | DESCRIPTION | COMMENTS |
|-----|--------------|--------------------|--------------|
| 1 | 206/00099/00 | Bolt | |
| 2 | 246/00149/00 | Gasket | |
| 3 | 153/00111/01 | Top Cover Plate | HF450 models |
| | 153/00112/01 | Top Cover Plate | HF570 models |
| 4 | 209/00266/08 | Thermostat | |
| 5 | 225/10004/00 | Thermostat Seal | |
| 6 | 211/00120/00 | Standoff | |
| 7 | 203/00006/00 | Washer | |
| 8 | 204/00007/00 | Nut | |
| 9 | 209/00323/02 | Printboard | |
| 10 | 209/00141/00 | Plug | |
| 11 | 209/00124/00 | Contactactor | |
| 12 | 207/00003/00 | Screw | |
| 13 | 225/00027/00 | Cable Duct | |
| 14 | 225/00019/00 | Holder | |
| 15 | 209/00005/00 | Terminal Block | |
| 16 | 209/00275/04 | Door Lock Board | |
| 17 | 246/00092/00 | Gasket | |
| 18 | 153/00111/00 | Assembly Plate | HF450 models |
| | 153/00112/00 | Assembly Plate | HF570 models |
| 19 | 223/00011/00 | Hose Clamp | |
| 20 | 223/00015/00 | Level Switch Elbow | |
| 21 | 223/00016/00 | Hose Barb | |
| 22 | 223/00082/00 | Pressure Hose | |
| 23 | 223/00035/01 | Hose Tee | |
| 24 | 209/00007/50 | Pressure Switch | |
| 25 | 209/00148/02 | Contactactor | |

Electrical Component Mounting Plate - Models with Mitsubishi Inverter Drive



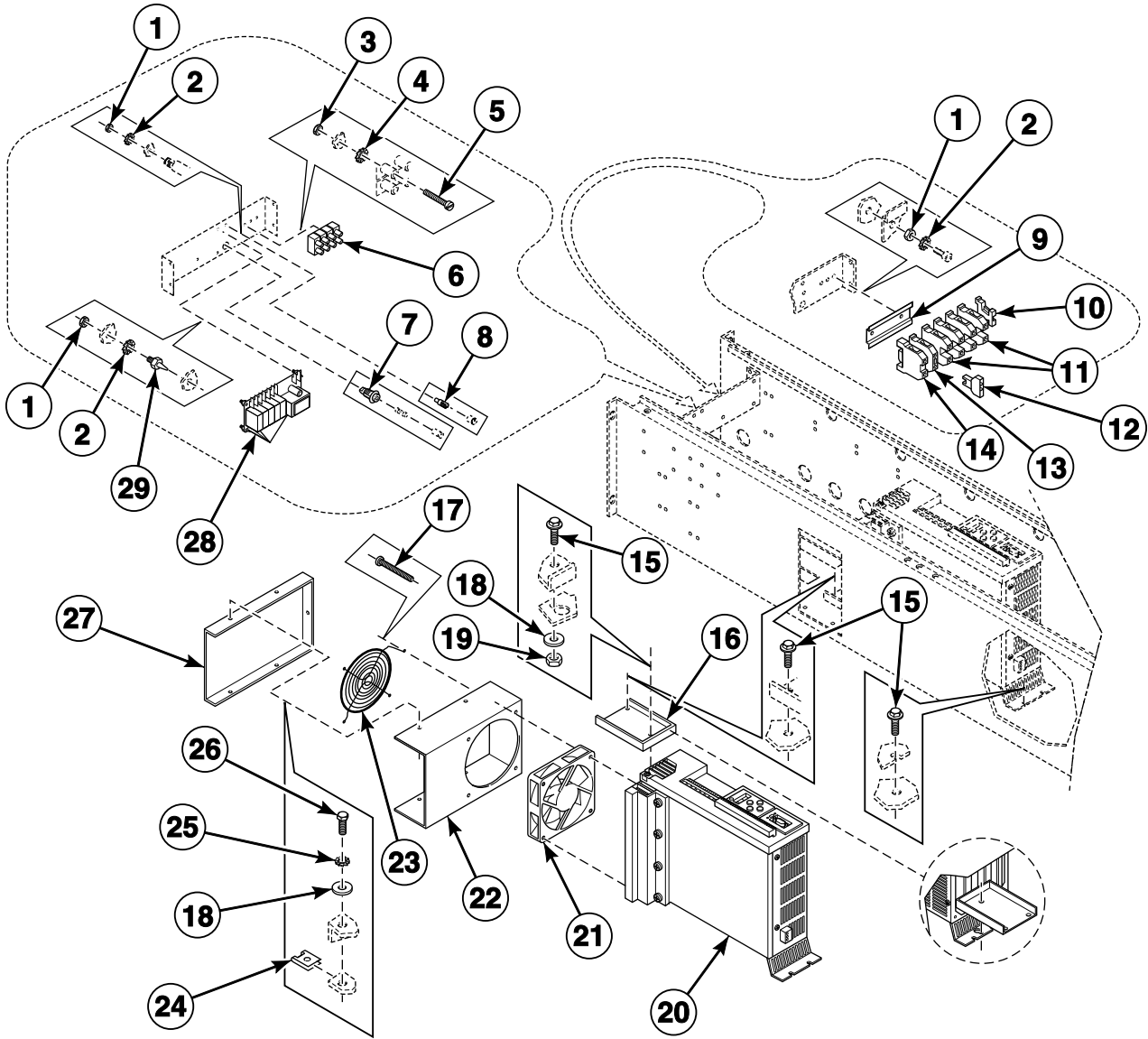
BE000100AP_D0341

Electrical Component Mounting Plate - Models with Mitsubishi Inverter Drive

| REF | PART NO. | DESCRIPTION | COMMENTS |
|-----|--------------|-----------------------|--------------|
| 1 | 153/00112/01 | Top Cover Plate | HF570 models |
| | 153/00111/01 | Top Cover Plate | HF450 models |
| 2 | 246/00149/00 | Gasket | |
| 3 | 209/00323/02 | Printboard | |
| 4 | 209/00148/02 | Contactora | |
| 5 | 223/00198/00 | Grommet | |
| 6 | 207/00008/00 | Screw | |
| 7 | 204/00116/00 | Nut | |
| 8 | 223/00123/00 | Washer | |
| 9 | 206/00141/00 | Separator | |
| 10 | 203/00007/00 | Washer | |
| 11 | 207/00135/00 | Screw | |
| 12 | 204/00007/00 | Nut | |
| 13 | 203/00006/00 | Washer | |
| 14 | 209/00005/00 | Terminal Block | |
| 15 | 223/00174/00 | Grommet | |
| 16 | 206/00101/00 | Nut | |
| 17 | 206/00099/00 | Bolt | |
| 18 | 211/00120/00 | Standoff | |
| 19 | 209/00275/04 | Door Lock Board | |
| 20 | 153/00111/00 | Assembly Plate | HF450 models |
| | 153/00112/00 | Assembly Plate | HF570 models |
| 21 | 246/00092/00 | Gasket | |
| 22 | 223/00011/00 | Hose Clamp | |
| 23 | 223/00210/00 | Pressure Switch Elbow | |
| 24 | 223/00016/00 | Hose Barb | |
| 25 | 223/00212/00 | Pressure Switch Hose | |
| 26 | 223/00035/01 | Hose Tee | |
| 27 | 225/10004/00 | Thermostat Seal | |
| 28 | 209/00266/08 | Thermostat | |
| 29 | 209/00007/50 | Pressure Switch | |
| 30 | 201/00007/00 | Washer | |
| 31 | 203/00004/00 | Washer | |
| 32 | 205/00105/00 | Bolt | |
| 33 | 209/00124/00 | Contactora | |
| 34 | 207/00003/00 | Screw | |

Inverter Drive

Models with Mitsubishi Inverter Drive



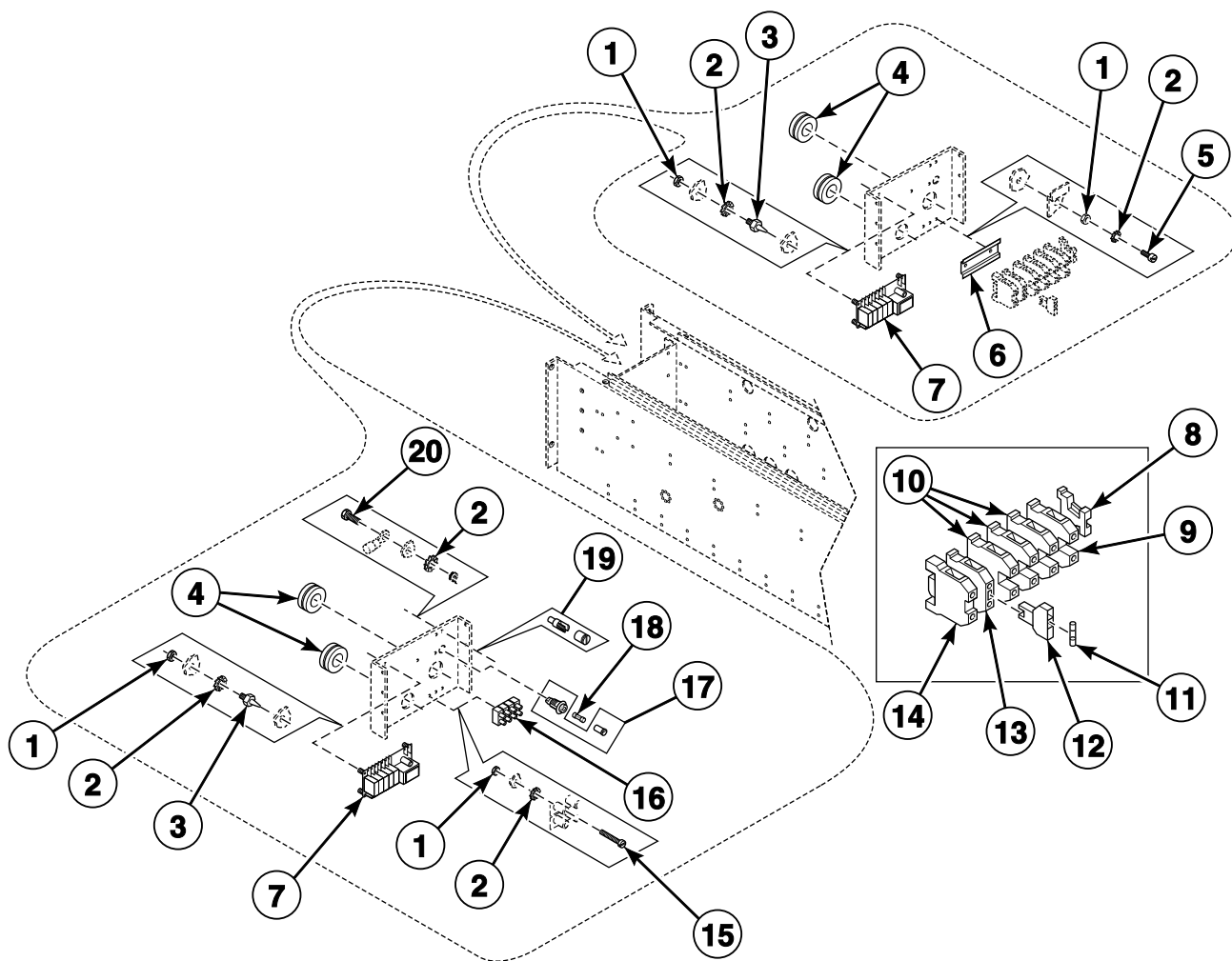
BE000072P_D0341

Inverter Drive

| REF | PART NO. | DESCRIPTION | COMMENTS |
|-----|--------------|----------------|----------|
| 1 | 204/00007/00 | Nut | |
| 2 | 203/00006/00 | Washer | |
| 3 | 204/00008/00 | Nut | |
| 4 | 203/00007/00 | Washer | |
| 5 | 207/00014/00 | Screw | |
| 6 | 209/00057/00 | Terminal | 3 pole |
| | 209/00058/00 | Terminal Block | 4 pole |
| 7 | 209/00202/00 | Fuse Holder | |
| 8 | 209/00006/00 | Terminal | |
| 9 | 720/00110/01 | Rail | |
| 10 | 209/00319/00 | Clamp | |
| 11 | 209/00317/02 | Clamp | |
| | 209/00317/01 | Clamp | |
| 12 | 209/00318/02 | Clamp | |
| 13 | 209/00318/01 | Clamp | |
| 14 | 209/00317/04 | Clamp | |
| 15 | 206/00099/00 | Bolt | |
| 16 | 153/00111/02 | Assembly Plate | |
| 17 | 227/00120/03 | Screw | |
| 18 | 201/00007/00 | Washer | |
| 19 | 204/00106/00 | Nut | |
| 20 | 227/00120/00 | Inverter | |
| 21 | 227/00120/02 | Fan | |
| 22 | 153/00111/03 | Inverter Box | |
| 23 | 227/00120/01 | Fan | |
| 24 | 208/00002/00 | Nut | |
| 25 | 203/00005/00 | Washer | |
| 26 | 208/00001/00 | Screw | |
| 27 | 153/00111/04 | Inverter Top | |
| 28 | 209/00218/01 | Printboard | |
| 29 | 211/00120/00 | Standoff | |

Main Switch and Printboard

Models with Mitsubishi Inverter Drive

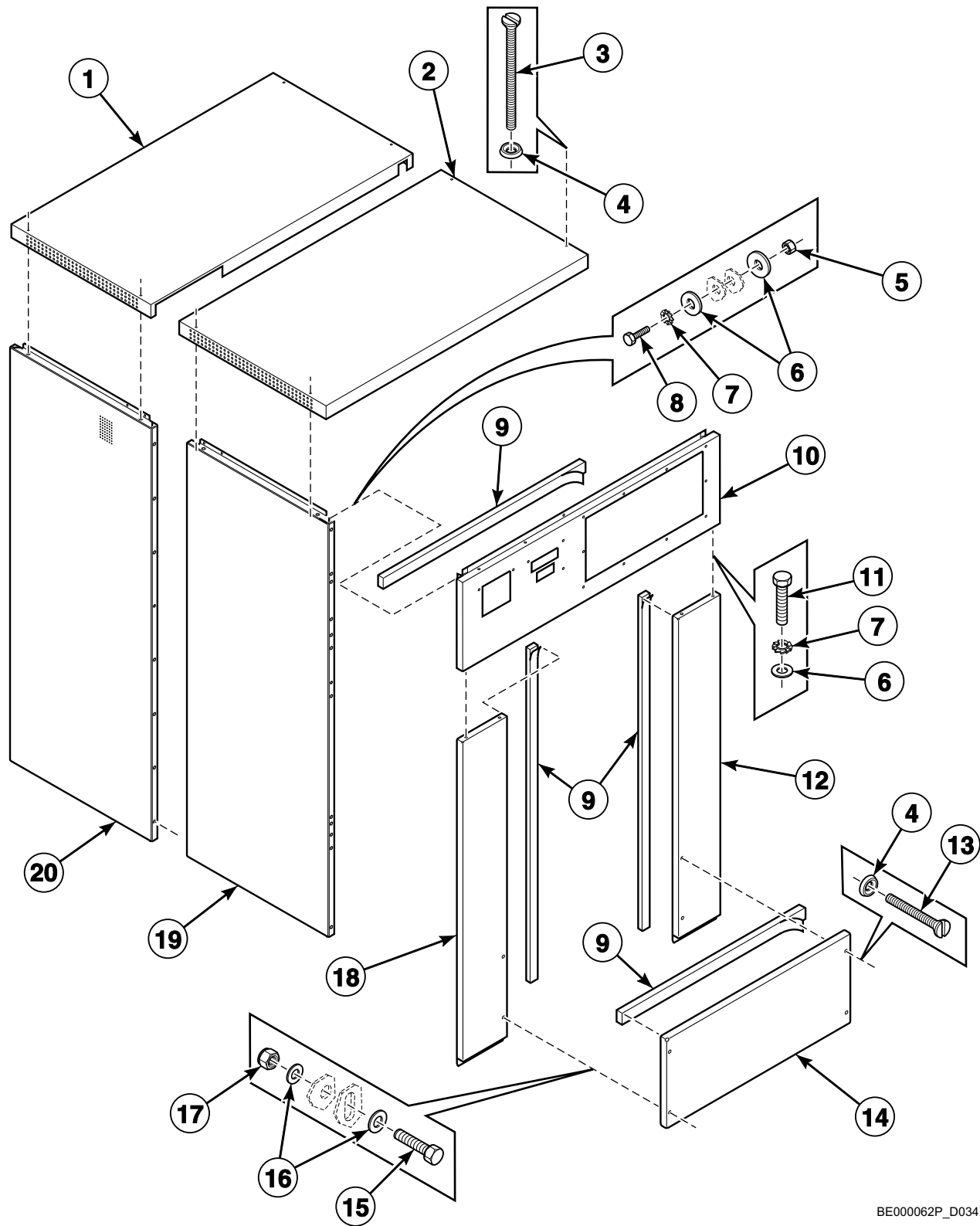


BE000101P_D0341

Main Switch and Printboard

| REF | PART NO. | DESCRIPTION | COMMENTS |
|-----|--------------|----------------|----------|
| 1 | 204/00007/00 | Nut | |
| 2 | 203/00006/00 | Washer | |
| 3 | 211/00120/00 | Standoff | |
| 4 | 223/00198/00 | Grommet | |
| 5 | 207/00008/00 | Screw | |
| 6 | 720/00110/01 | Rail | |
| 7 | 209/00218/01 | Printboard | |
| 8 | 209/00319/00 | Clamp | |
| 9 | 209/00317/02 | Clamp | |
| 10 | 209/00317/01 | Clamp | |
| 11 | 209/00468/00 | Fuse | |
| 12 | 209/00318/02 | Clamp | |
| 13 | 209/00318/01 | Clamp | |
| 14 | 209/00317/04 | Clamp | |
| 15 | 207/00031/00 | Screw | |
| 16 | 209/00058/00 | Terminal Block | |
| 17 | 209/00202/00 | Fuse Holder | |
| 18 | 209/00195/00 | Fuse | |
| 19 | 209/00006/00 | Terminal | |
| 20 | 206/00027/00 | Bolt | |

Left Side, Front and Top Panels

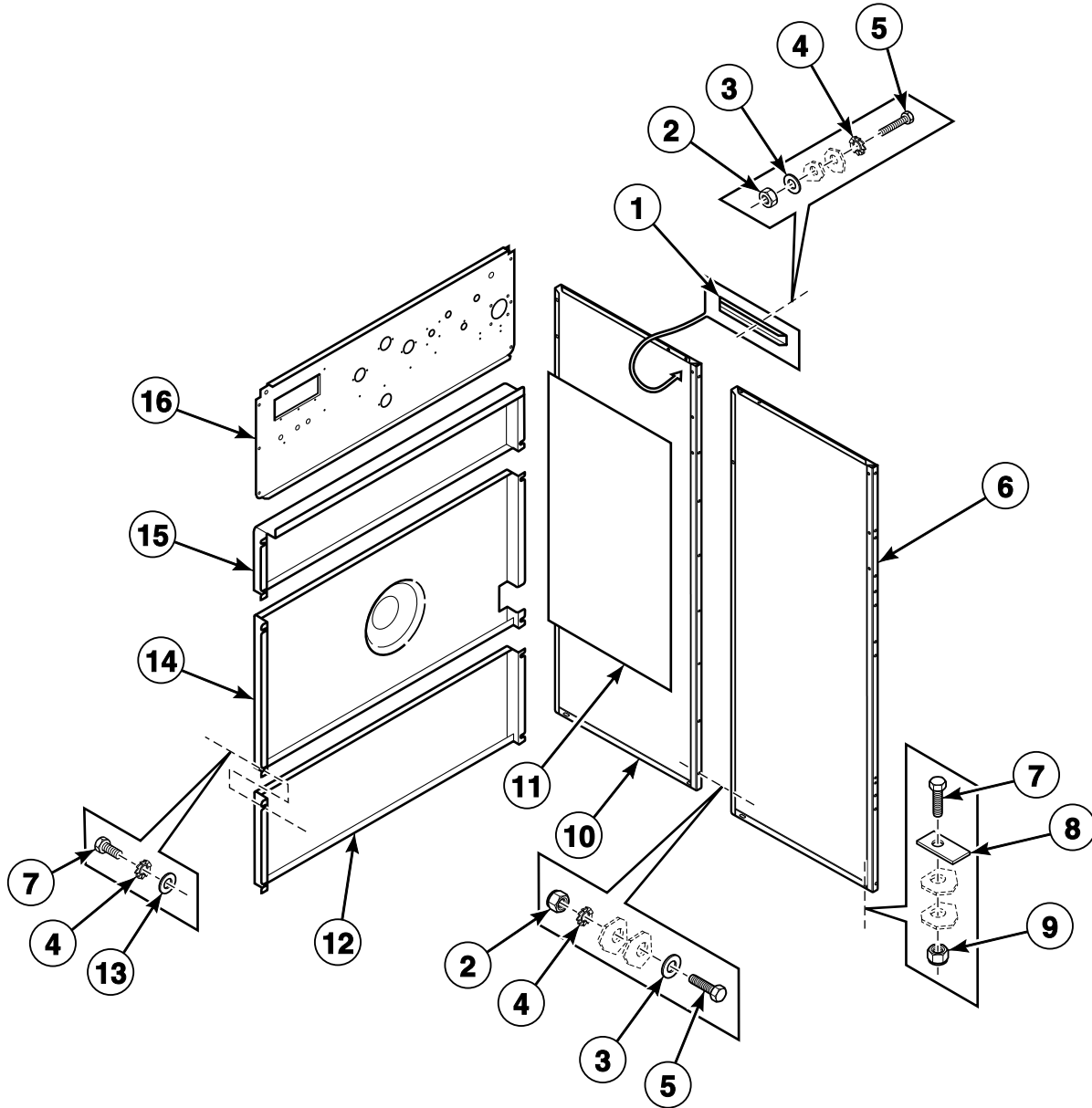


BE000062P_D0341

Left Side, Front and Top Panels

| REF | PART NO. | DESCRIPTION | COMMENTS |
|-----|--------------|-------------------|--------------|
| 1 | 153/00033/02 | Rear Cabinet Top | HF450 models |
| | 153/00034/02 | Rear Cabinet Top | HF570 models |
| 2 | 153/00033/01 | Front Cabinet Top | HF450 models |
| | 153/00034/01 | Front Cabinet Top | HF570 models |
| 3 | 207/00123/00 | Screw | |
| 4 | 208/00009/00 | Washer | |
| 5 | 204/00106/00 | Nut | |
| 6 | 202/00106/00 | Washer | |
| 7 | 203/00004/00 | Washer | |
| 8 | 205/00104/00 | Bolt | |
| 9 | 246/00149/00 | Gasket | |
| 10 | 153/00107/00 | Front Panel | |
| 11 | 205/00105/00 | Bolt | |
| 12 | 153/00110/00 | Front Panel | |
| 13 | 207/00101/00 | Screw | |
| 14 | 153/00113/00 | Lower Front Panel | |
| 15 | 206/00042/00 | Bolt | |
| 16 | 202/00111/00 | Washer | |
| 17 | 204/00109/00 | Nut | |
| 18 | 153/00109/00 | Front Panel | |
| 19 | 153/00104/00 | Side Panel | HF450 models |
| | 153/00106/00 | Side Panel | HF570 models |
| 20 | 153/00103/00 | Side Panel | HF450 models |
| | 153/00105/00 | Side Panel | HF570 models |

Right Side and Rear Panels

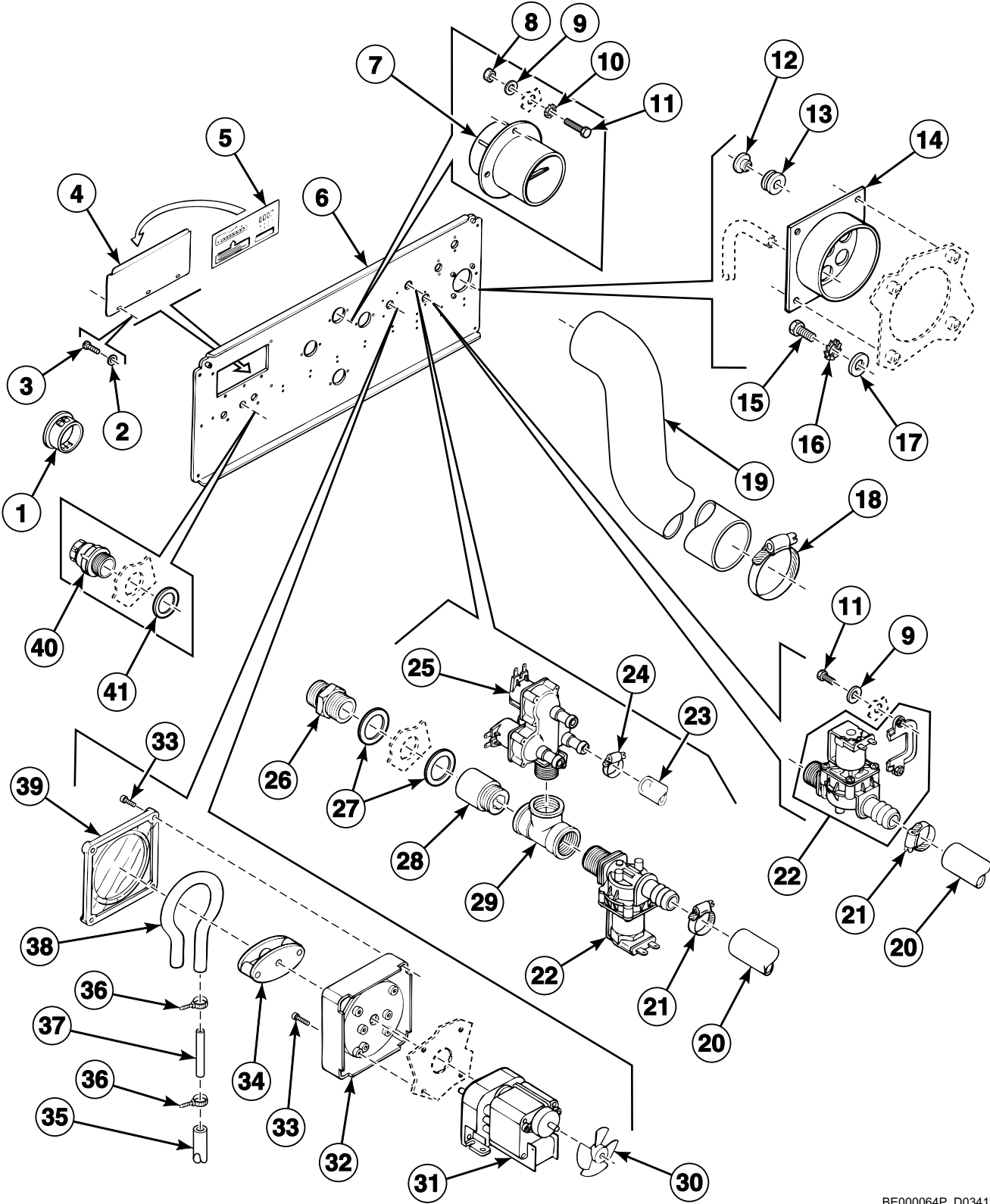


BE000063P_D0341

Right Side and Rear Panels

| REF | PART NO. | DESCRIPTION | COMMENTS |
|-----|--------------|-----------------------------|--------------|
| 1 | 153/00103/01 | Side Panel Support Assembly | |
| 2 | 204/00106/00 | Nut | |
| 3 | 202/00110/00 | Washer | |
| 4 | 203/00004/00 | Washer | |
| 5 | 205/00104/00 | Bolt | |
| 6 | 153/00103/00 | Side Panel | HF450 models |
| | 153/00105/00 | Side Panel | HF570 models |
| 7 | 205/00105/00 | Bolt | |
| 8 | 101/00007/00 | Outlet Pipe Plate Assembly | |
| 9 | 204/00009/00 | Nut | |
| 10 | 153/00104/00 | Side Panel | HF450 models |
| | 153/00106/00 | Side Panel | HF570 models |
| 11 | 246/00079/00 | Side Panel Gasket | |
| 12 | 153/00114/C0 | Back Panel Support Assembly | |
| 13 | 202/00106/00 | Washer | |
| 14 | 153/00114/B0 | Back Panel Support Assembly | |
| 15 | 153/00114/A0 | Upper Back Panel | |
| 16 | 153/00027/00 | Backbridge | |

Upper Back Panel - Models with KEB Inverter Drive



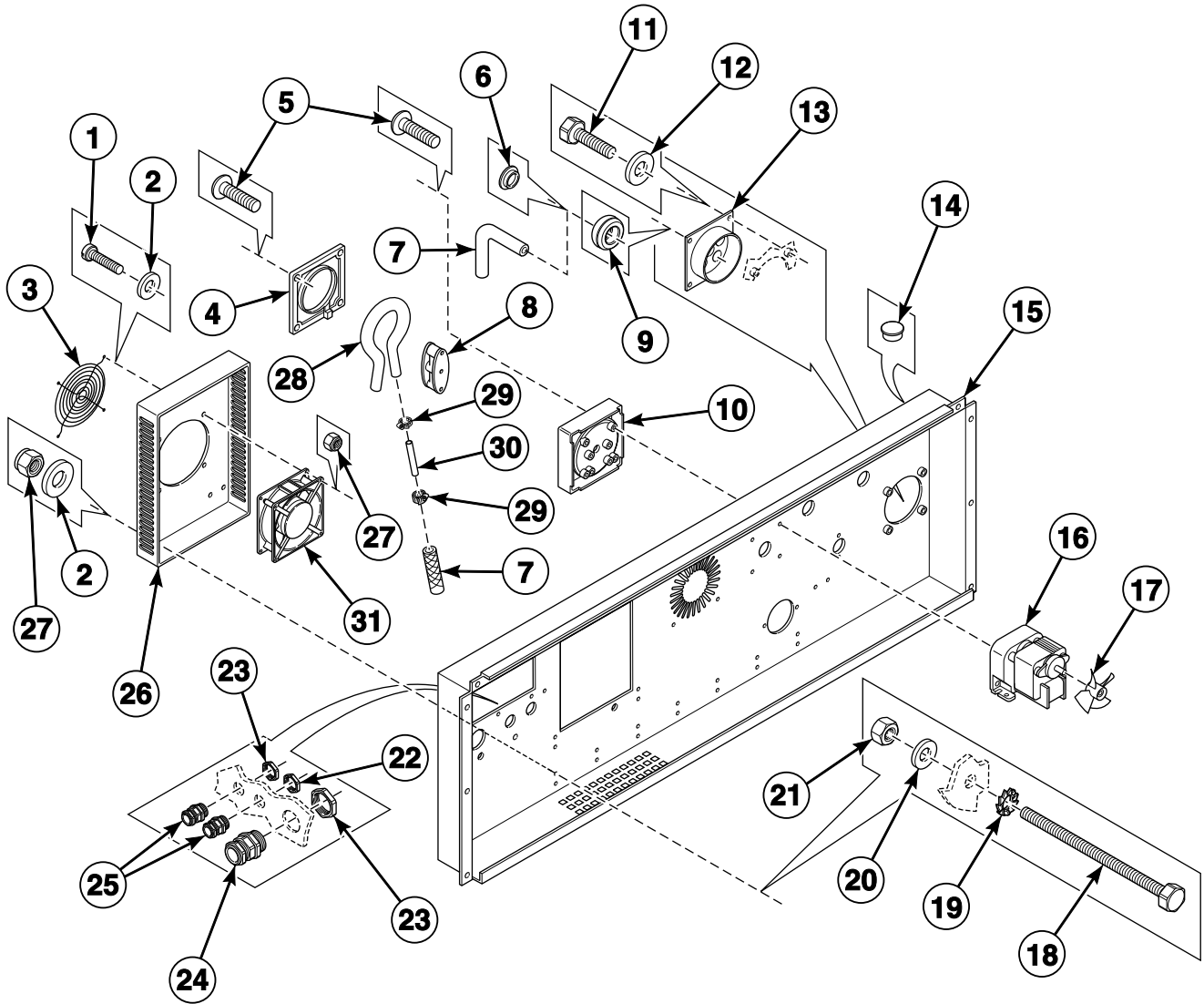
BE000064P_D0341

Upper Back Panel - Models with KEB Inverter Drive

| REF | PART NO. | DESCRIPTION | COMMENTS |
|-----|--------------|--------------------|------------------|
| 1 | 211/00087/00 | Plug | 30 mm diameter |
| | 211/00084/00 | Plug | 20.5 mm diameter |
| 2 | 202/00102/00 | Washer | |
| 3 | 207/00110/00 | Screw | |
| 4 | 140/00010/00 | Cover Plate | |
| 5 | 229/00250/00 | Label | |
| 6 | 153/00027/00 | Backbridge | |
| 7 | 223/00102/07 | Hose Vent | |
| 8 | 204/00007/00 | Nut | |
| 9 | 202/00004/00 | Washer | |
| 10 | 203/00006/00 | Washer | |
| 11 | 206/00027/00 | Bolt | |
| 12 | 211/00129/00 | Plug | |
| 13 | 225/00019/00 | Holder | |
| 14 | 153/00043/00 | Inlet | |
| 15 | 205/00104/00 | Bolt | |
| 16 | 203/00004/00 | Washer | |
| 17 | 202/00101/00 | Washer | |
| 18 | 223/00014/00 | Hose Clamp | |
| 19 | 223/00185/00 | Hose | |
| 20 | 223/00059/00 | Water Hose | |
| 21 | 223/00011/00 | Hose Clamp | |
| 22 | 209/00137/00 | Inlet Valve | |
| 23 | 223/00044/00 | Water Hose | |
| 24 | 223/00010/00 | Hose Clamp | |
| 25 | 209/00277/00 | 3-Way Inlet Valve | |
| 26 | 223/00121/00 | Connector | |
| 27 | 223/00042/00 | O-Ring | |
| 28 | 711/00058/00 | Extension Piece | |
| 29 | 223/00043/00 | T-Piece | |
| 30 | 209/00420/05 | Fan | |
| 31 | 209/00420/04 | Motor | |
| 32 | 209/00420/02 | Pump Housing | |
| 33 | 209/00420/07 | Screw | |
| 34 | 209/00420/03 | Pressure Roller | |
| 35 | 223/00179/00 | Soap Injector Hose | |
| 36 | 211/00088/00 | Cable Tie | |
| 37 | 223/00180/00 | Soap Injector Hose | |
| 38 | 209/00420/01 | Hose | |
| 39 | 209/00420/06 | Cover Plate | |
| 40 | 211/00022/01 | Nut | |
| 41 | 211/00022/00 | Nut | |

Upper Back Panel (Drawing 1 of 2)

Models with Mitsubishi Inverter Drive



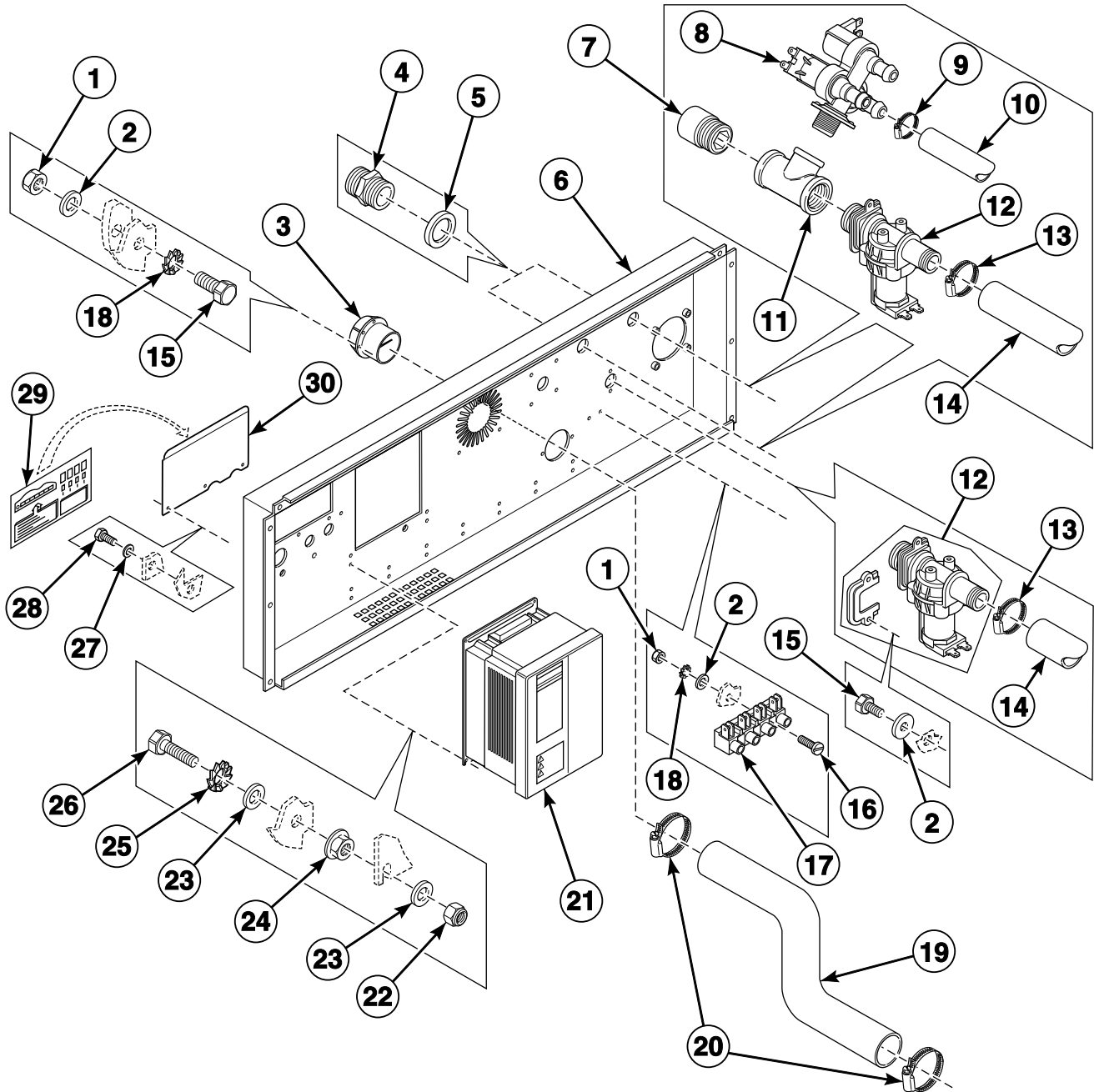
BE000097P_D0341

Upper Back Panel (Drawing 1 of 2)

| REF | PART NO. | DESCRIPTION | COMMENTS |
|-----|--------------|--------------------|----------|
| 1 | 207/00105/00 | Screw | |
| 2 | 202/00004/00 | Washer | |
| 3 | 209/00465/01 | Fan Grill | |
| 4 | 209/00420/06 | Cover Plate | |
| 5 | 209/00420/07 | Screw | |
| 6 | 211/00129/00 | Plug | |
| 7 | 223/00179/00 | Soap Injector Hose | |
| 8 | 209/00420/03 | Pressure Roller | |
| 9 | 223/00174/00 | Grommet | |
| 10 | 209/00420/02 | Pump Housing | |
| 11 | 205/00104/00 | Bolt | |
| 12 | 202/00110/00 | Washer | |
| 13 | 153/00043/00 | Inlet | |
| 14 | 211/00087/00 | Plug | |
| 15 | 153/00027/01 | Backbridge | |
| 16 | 209/00420/04 | Motor | |
| 17 | 209/00420/05 | Fan | |
| 18 | 206/00136/00 | Bolt | |
| 19 | 203/00006/00 | Washer | |
| 20 | 202/00101/00 | Washer | |
| 21 | 204/00007/00 | Nut | |
| 22 | 211/00097/01 | Cordlock | |
| 23 | 211/00118/00 | Cordlock | |
| 24 | 211/00097/00 | Cordlock | |
| 25 | 211/00117/00 | Cordlock | |
| 26 | 153/00027/02 | Fan Cover | |
| 27 | 204/00114/00 | Nut | |
| 28 | 209/00420/01 | Hose | |
| 29 | 211/00088/00 | Cable Tie | |
| 30 | 223/00180/00 | Soap Injector Hose | |
| 31 | 209/00287/00 | Cooling Fan | |

Upper Back Panel (Drawing 2 of 2)

Models with Mitsubishi Inverter Drive

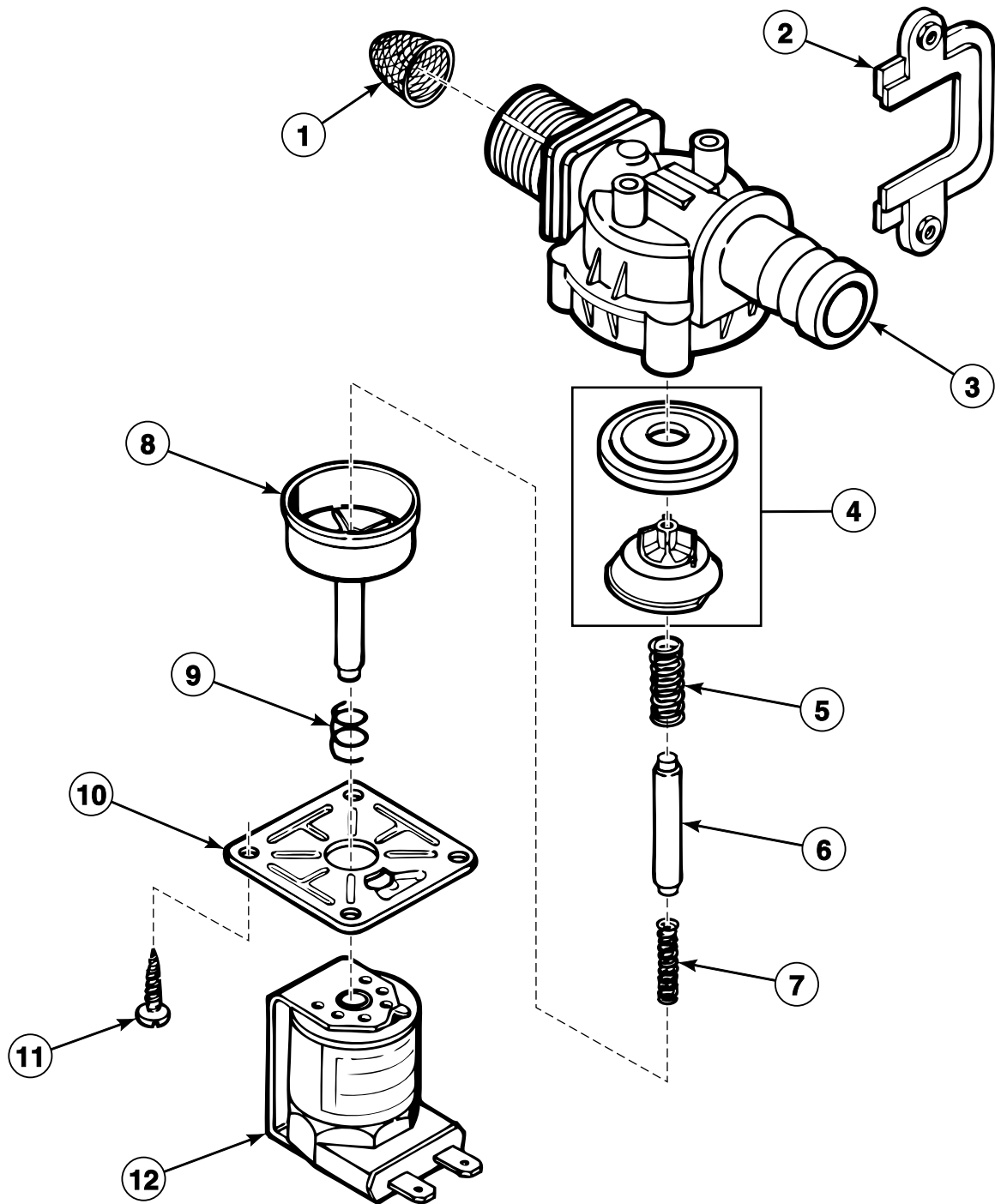


BE000098P_D0341

Upper Back Panel (Drawing 2 of 2)

| REF | PART NO. | DESCRIPTION | COMMENTS |
|-----|--------------|-------------------|----------------------|
| 1 | 204/00007/00 | Nut | |
| 2 | 202/00004/00 | Washer | |
| 3 | 223/00102/07 | Hose Vent | |
| 4 | 223/00121/00 | Connector | |
| 5 | 223/00042/00 | O-Ring | |
| 6 | 153/00027/01 | Backbridge | |
| 7 | 711/00058/00 | Extension Piece | |
| 8 | 209/00277/00 | 3-Way Inlet Valve | |
| 9 | 223/00010/00 | Hose Clamp | |
| 10 | 223/00044/00 | Water Hose | |
| 11 | 223/00043/00 | T-Piece | |
| 12 | 209/00137/00 | Inlet Valve | |
| 13 | 223/00011/00 | Hose Clamp | |
| 14 | 223/00059/00 | Water Hose | |
| 15 | 206/00027/00 | Bolt | |
| 16 | 207/00105/00 | Screw | |
| 17 | 209/00005/00 | Terminal Block | |
| 18 | 203/00006/00 | Washer | |
| 19 | 223/00211/00 | Vent Hose | |
| 20 | 223/00071/00 | Hose Clamp | |
| 21 | 227/00130/00 | Inverter | HF450 models; 5.5 kW |
| | 227/00131/00 | Inverter | HF570 models; 7.5 kW |
| 22 | 204/00009/00 | Nut | |
| 23 | 202/00101/00 | Washer | |
| 24 | 206/00101/00 | Nut | |
| 25 | 203/00004/00 | Washer | |
| 26 | 205/00103/00 | Bolt | |
| 27 | 207/00110/00 | Screw | |
| 28 | 202/00102/00 | Washer | |
| 29 | 229/00250/00 | Label | |
| 30 | 140/00010/00 | Cover Plate | |

Water Inlet Valves

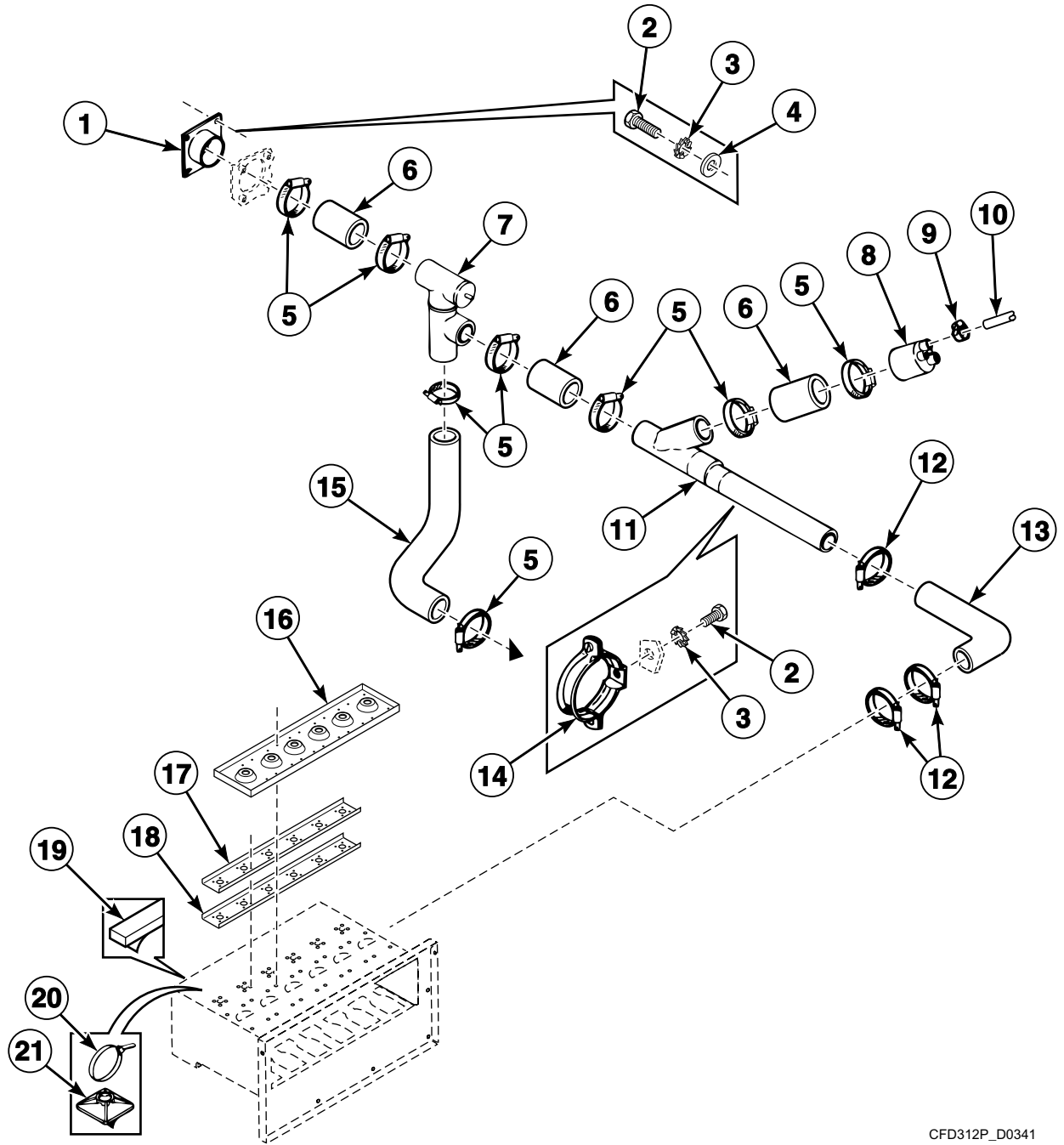


BE000065P_D0341

Water Inlet Valves

| REF | PART NO. | DESCRIPTION | COMMENTS |
|-----|--------------|----------------------|----------|
| 1 | 223/00060/00 | Filter | |
| 2 | 209/00137/04 | Inlet Valve Plate | |
| 3 | 209/00137/02 | Valve | |
| 4 | 209/00138/01 | Diaphragm | |
| 5 | 209/00090/19 | Diaphragm Spring | |
| 6 | 209/00138/02 | Inlet Valve | |
| 7 | 209/00138/05 | Spring | |
| 8 | 209/00138/03 | Spring | |
| 9 | 209/00090/02 | Spring | |
| 10 | 209/00137/03 | Valve Plate | |
| 11 | 209/00090/03 | Screw | |
| 12 | 209/00090/01 | Inlet Valve Solenoid | |

Supply Dispenser Plumbing - Models with Mueller Valves

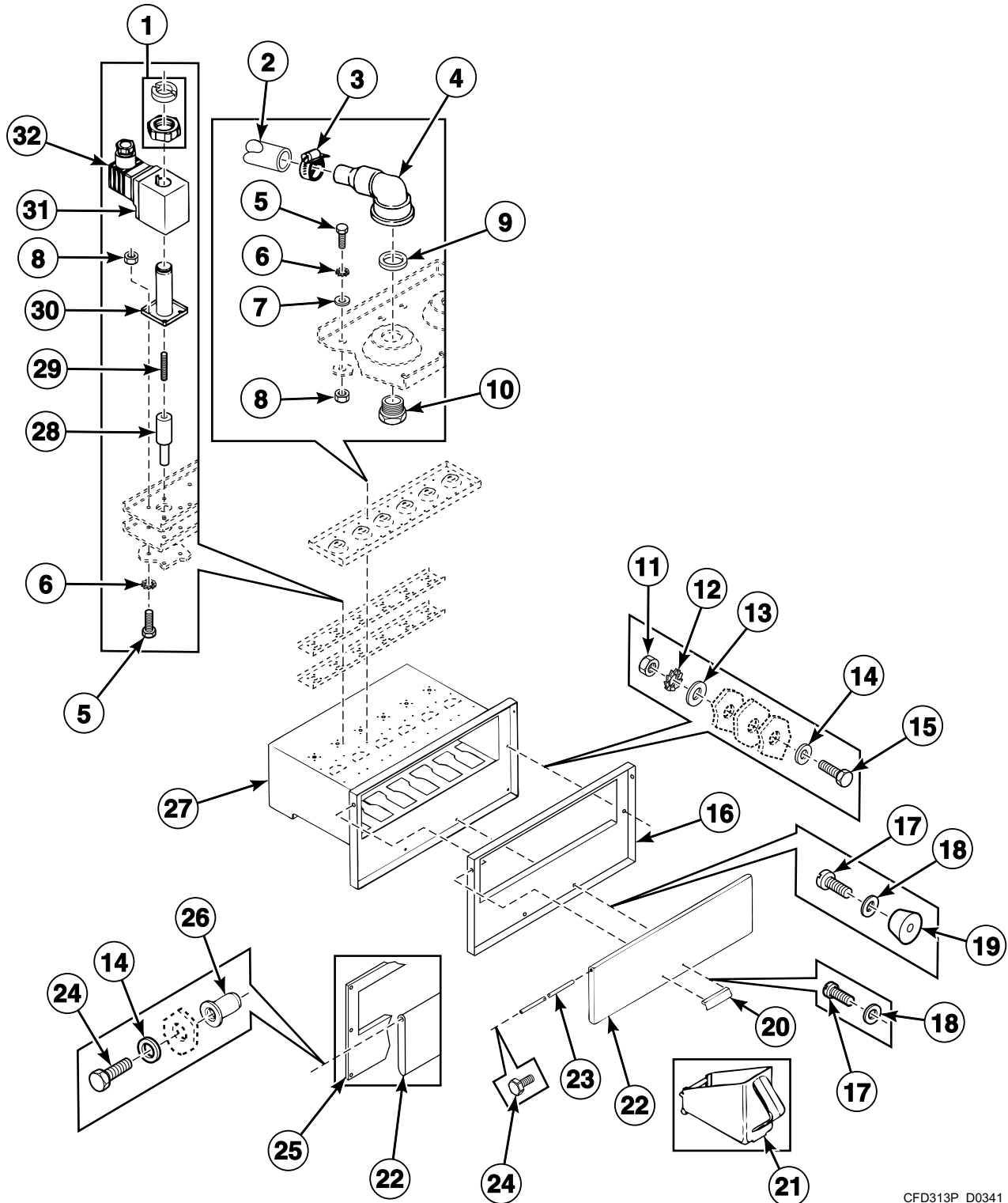


CFD312P_D0341

Supply Dispenser Plumbing - Models with Mueller Valves

| REF | PART NO. | DESCRIPTION | COMMENTS |
|-----|--------------|----------------------------|----------|
| 1 | 153/00043/00 | Inlet | |
| 2 | 207/00111/00 | Screw | |
| 3 | 203/00004/00 | Washer | |
| 4 | 202/00101/00 | Washer | |
| 5 | 223/00071/00 | Hose Clamp | |
| 6 | 223/00183/00 | Drain Hose | |
| 7 | 253/00020/00 | T-Piece | |
| 8 | 223/00289/00 | Water Inlet Grid | |
| 9 | 223/00011/00 | Hose Clamp | |
| 10 | 223/00059/00 | Water Hose | |
| 11 | 253/00021/00 | Reducing Tee | |
| 12 | 223/00014/00 | Hose Clamp | |
| 13 | 223/00186/00 | Hose | |
| 14 | 253/00019/00 | Clamp | |
| 15 | 223/00187/00 | Soap Dispenser to Tub Hose | |
| 16 | 153/00026/01 | Assembly Plate Spray | |
| 17 | 153/00026/02 | Inlet Valve Plate | |
| 18 | 153/00026/06 | Inlet Valve Plate | Upper |
| 19 | 246/00181/00 | Rubber Strip | |
| 20 | 211/00088/00 | Cable Tie | |
| 21 | 211/00104/00 | Tie Holder | |

Supply Dispenser Plumbing - Models with Dhnfoss Valves

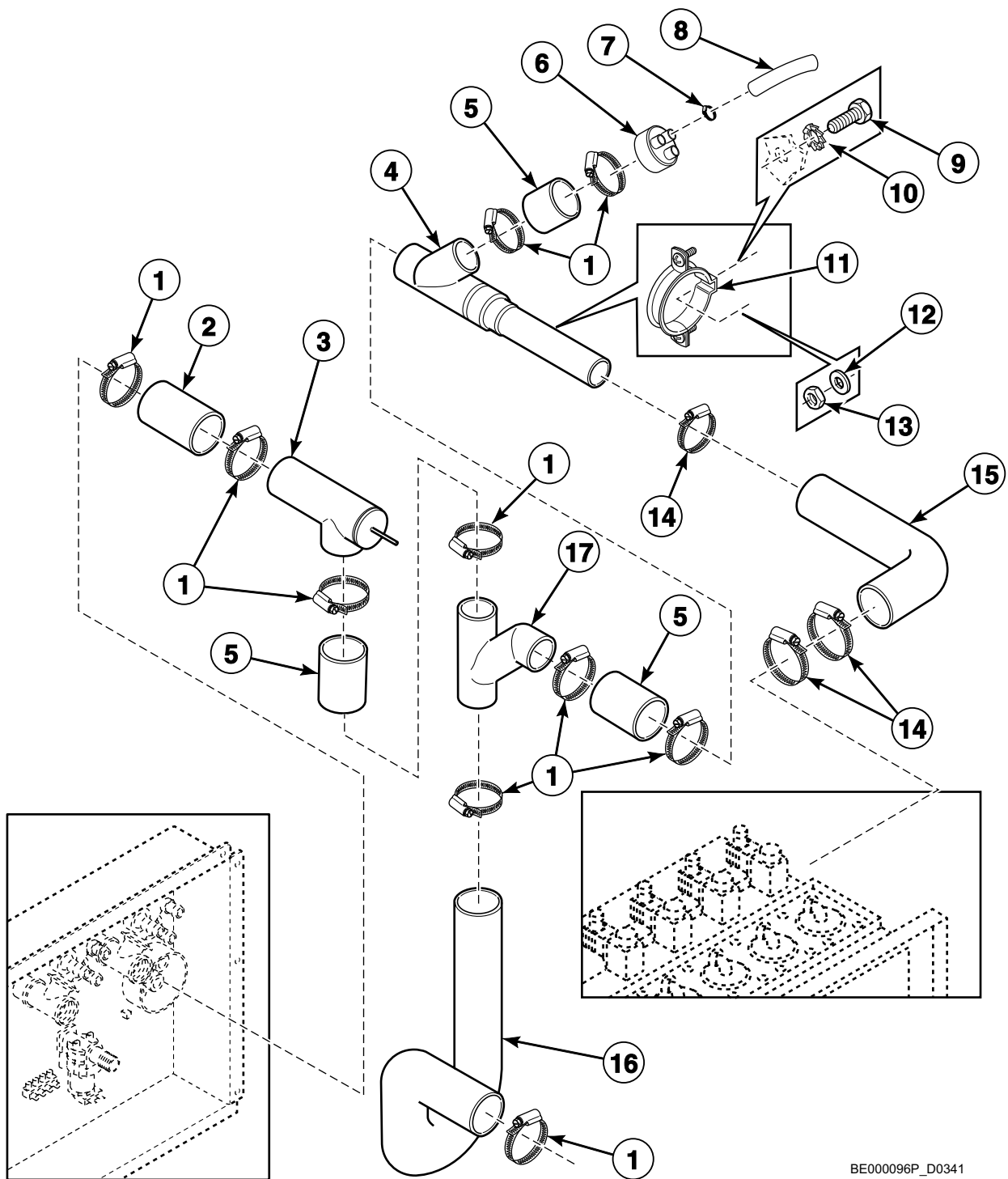


CFD313P_D0341

Supply Dispenser Plumbing - Models with Dhnfoss Valves

| REF | PART NO. | DESCRIPTION | COMMENTS |
|-----|--------------|-----------------------------|----------|
| 1 | 209/01306/00 | Nut | |
| 2 | 223/00044/00 | Water Hose | |
| 3 | 223/00011/00 | Hose Clamp | |
| 4 | 211/10149/00 | Flow Nozzle | |
| 5 | 205/00116/00 | Bolt | |
| 6 | 203/00006/00 | Washer | |
| 7 | 202/00109/00 | Washer | |
| 8 | 204/00105/00 | Nut | |
| 9 | 223/00176/00 | O-Ring | |
| 10 | 211/10147/00 | Mounting Piece | |
| 11 | 204/00106/00 | Nut | |
| 12 | 203/00004/00 | Washer | |
| 13 | 202/00106/00 | Washer | |
| 14 | 202/00101/00 | Washer | |
| 15 | 207/00103/00 | Screw | |
| 16 | 153/00026/24 | Front Panel | |
| 17 | 207/00110/00 | Screw | |
| 18 | 202/00102/00 | Washer | |
| 19 | 223/00008/01 | Handle Grommet | |
| 20 | 223/00008/05 | Soap Dispenser Cover Handle | |
| 21 | 253/00012/00 | Soap Dispenser | |
| 22 | 153/00026/12 | Soap Dispenser Cover | |
| 23 | 153/00026/13 | Hinge | |
| 24 | 205/00107/00 | Bolt | |
| 25 | 153/00026/14 | Front Panel | |
| 26 | 204/00301/00 | Bushing | |
| 27 | 153/00026/99 | Soap Dispenser | |
| 28 | 211/10158/00 | Valve Guide | |
| 29 | 224/00048/00 | Spring | |
| 30 | 209/00306/04 | Core Holder | |
| 31 | 209/00306/02 | Coil | |
| 32 | 209/00306/18 | Terminal Connector | |

Overflow and Inlet Plumbing

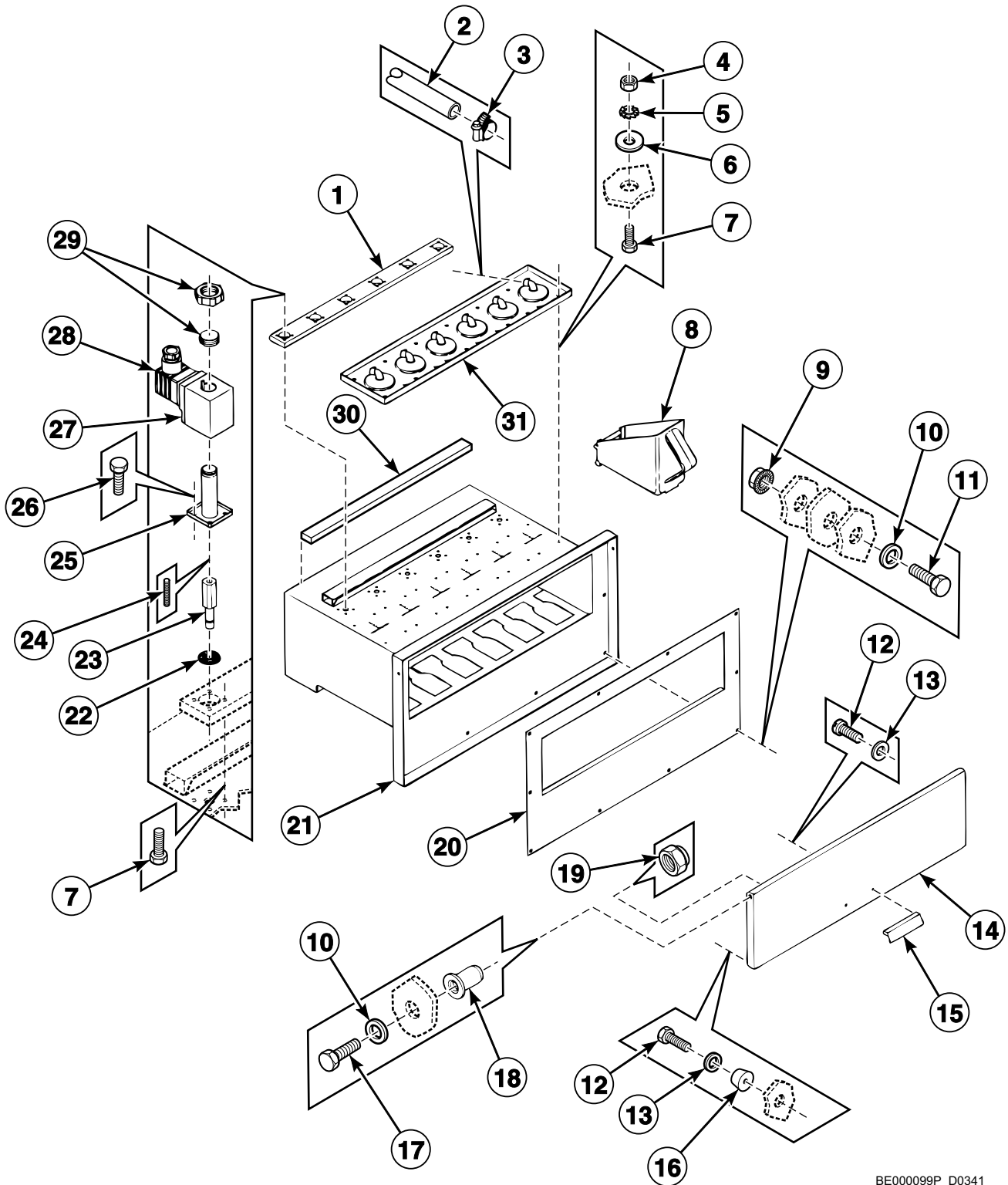


BE000096P_D0341

Overflow and Inlet Plumbing

| REF | PART NO. | DESCRIPTION | COMMENTS |
|-----|--------------|--------------------------------|----------|
| 1 | 223/00071/00 | Hose Clamp | |
| 2 | 223/00219/00 | Soap Inlet Hose Kit | |
| 3 | 253/00029/00 | Elbow | |
| 4 | 253/00021/00 | Reducing Tee | |
| 5 | 223/00141/00 | Drain Valve to Drain Pipe Hose | |
| 6 | 223/00289/00 | Water Inlet Grid | |
| 7 | 223/00011/00 | Hose Clamp | |
| 8 | 223/00059/00 | Water Hose | |
| 9 | 205/00105/00 | Bolt | |
| 10 | 203/00004/00 | Washer | |
| 11 | 253/00019/00 | Clamp | |
| 12 | 202/00110/00 | Washer | |
| 13 | 204/00106/00 | Nut | |
| 14 | 223/00014/00 | Hose Clamp | |
| 15 | 223/00186/00 | Hose | |
| 16 | 223/00187/00 | Soap Dispenser to Tub Hose | |

Supply Dispenser

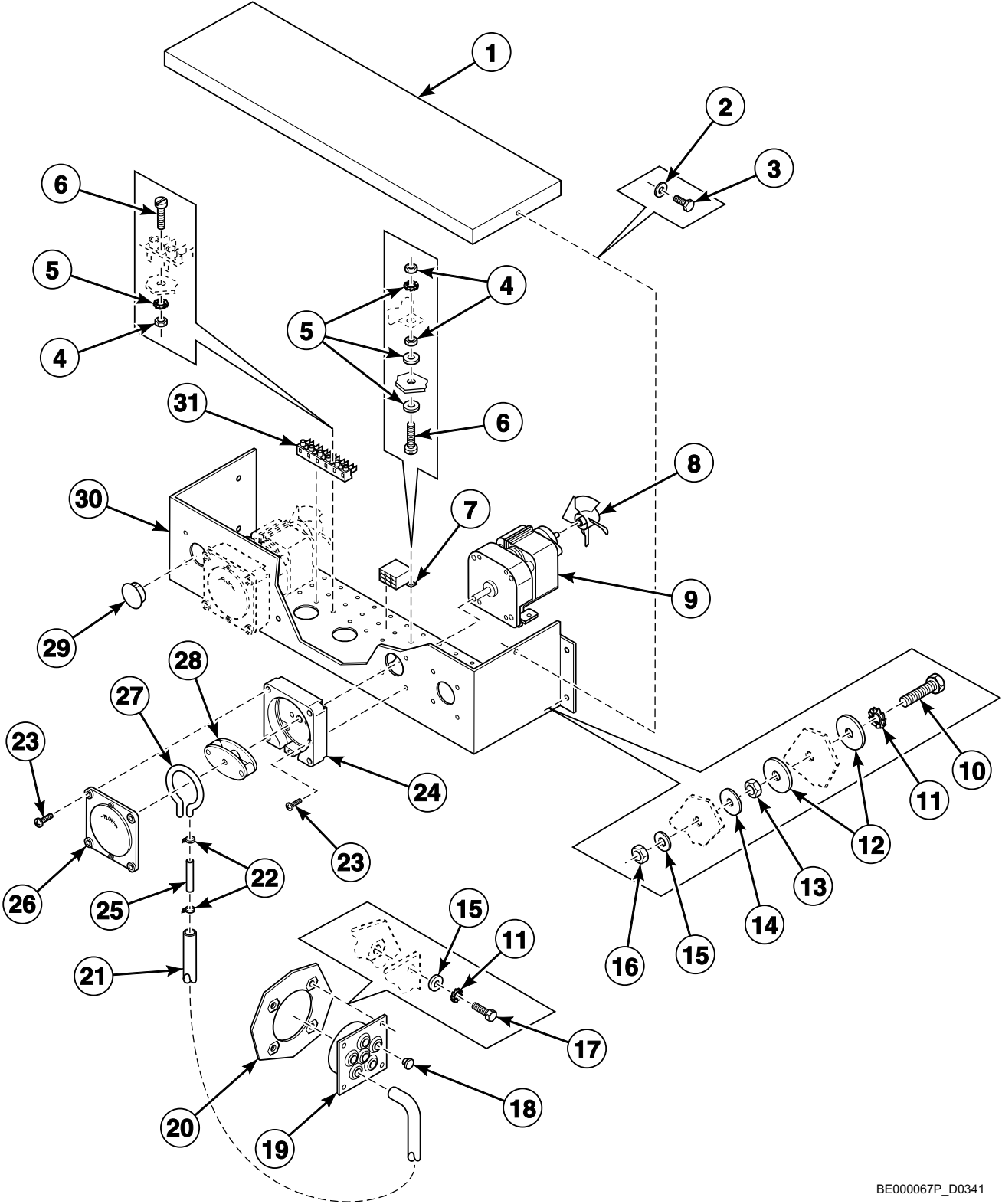


BE000099P_D0341

Supply Dispenser

| REF | PART NO. | DESCRIPTION | COMMENTS |
|-----|--------------|-----------------------------|----------|
| 1 | 253/00027/00 | Assembly Plate | |
| 2 | 223/00044/00 | Water Hose | |
| 3 | 223/00011/00 | Hose Clamp | |
| 4 | 204/00105/00 | Nut | |
| 5 | 203/00006/00 | Washer | |
| 6 | 202/00109/00 | Washer | |
| 7 | 205/00116/00 | Bolt | |
| 8 | 253/00012/00 | Soap Dispenser | |
| 9 | 206/00101/00 | Nut | |
| 10 | 202/00101/00 | Washer | |
| 11 | 205/00105/00 | Bolt | |
| 12 | 207/00110/00 | Screw | |
| 13 | 202/00102/00 | Washer | |
| 14 | 153/00026/12 | Soap Dispenser Cover | |
| 15 | 223/00008/05 | Soap Dispenser Cover Handle | |
| 16 | 223/00008/01 | Handle Grommet | |
| 17 | 207/00126/00 | Screw | |
| 18 | 204/00301/00 | Bushing | |
| 19 | 204/00009/00 | Nut | |
| 20 | 153/00026/14 | Front Panel | |
| 21 | 153/00026/99 | Soap Dispenser | |
| 22 | 223/00208/00 | Washer | |
| 23 | 211/10158/00 | Valve Guide | |
| 24 | 224/00048/00 | Spring | |
| 25 | 209/00306/04 | Core Holder | |
| 26 | 205/00120/00 | Bolt | |
| 27 | 209/00306/02 | Coil | |
| 28 | 209/00306/18 | Terminal Connector | |
| 29 | 209/01306/00 | Nut | |
| 30 | 246/00181/00 | Rubber Strip | |
| 31 | 153/00026/01 | Assembly Plate Spray | |

Liquid Supply Pump - Through Supply Dispenser

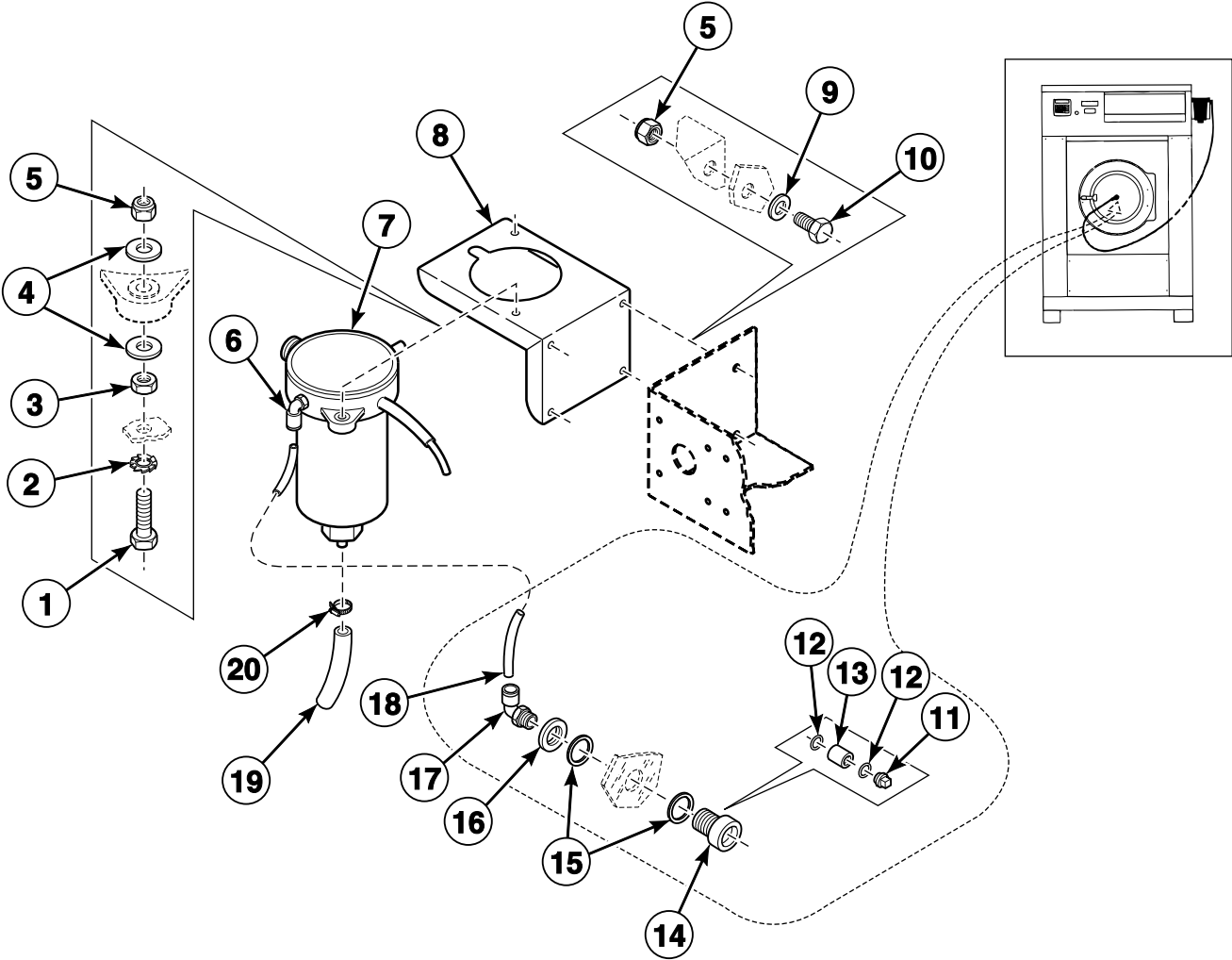


BE000067P_D0341

Liquid Supply Pump - Through Supply Dispenser

| REF | PART NO. | DESCRIPTION | COMMENTS |
|-----|--------------|--------------------|----------|
| 1 | 111/00234/01 | Pump Flow Top | |
| 2 | 202/00109/00 | Washer | |
| 3 | 205/00113/00 | Bolt | |
| 4 | 204/00007/00 | Nut | |
| 5 | 203/00006/00 | Washer | |
| 6 | 207/00003/00 | Screw | |
| 7 | 209/00141/00 | Plug | |
| 8 | 209/00420/05 | Fan | |
| 9 | 209/00420/04 | Motor | |
| 10 | 205/00103/00 | Bolt | |
| 11 | 203/00004/00 | Washer | |
| 12 | 202/00108/00 | Washer | |
| 13 | 204/00005/00 | Nut | |
| 14 | 202/00106/00 | Washer | |
| 15 | 202/00101/00 | Washer | |
| 16 | 204/00009/00 | Nut | |
| 17 | 205/00104/00 | Bolt | |
| 18 | 211/00129/00 | Plug | |
| 19 | 153/00043/00 | Inlet | |
| 20 | 225/00019/00 | Holder | |
| 21 | 223/00179/00 | Soap Injector Hose | |
| 22 | 211/00088/00 | Cable Tie | |
| 23 | 209/00420/07 | Screw | |
| 24 | 209/00420/02 | Pump Housing | |
| 25 | 223/00180/00 | Soap Injector Hose | |
| 26 | 209/00420/06 | Cover Plate | |
| 27 | 209/00420/01 | Hose | |
| 28 | 209/00420/03 | Pressure Roller | |
| 29 | 211/00087/00 | Plug | |
| 30 | 111/00234/00 | Pump Flow Assembly | |
| 31 | 210/10007/00 | Connection | |

Liquid Supply Pump - Through Door Glass

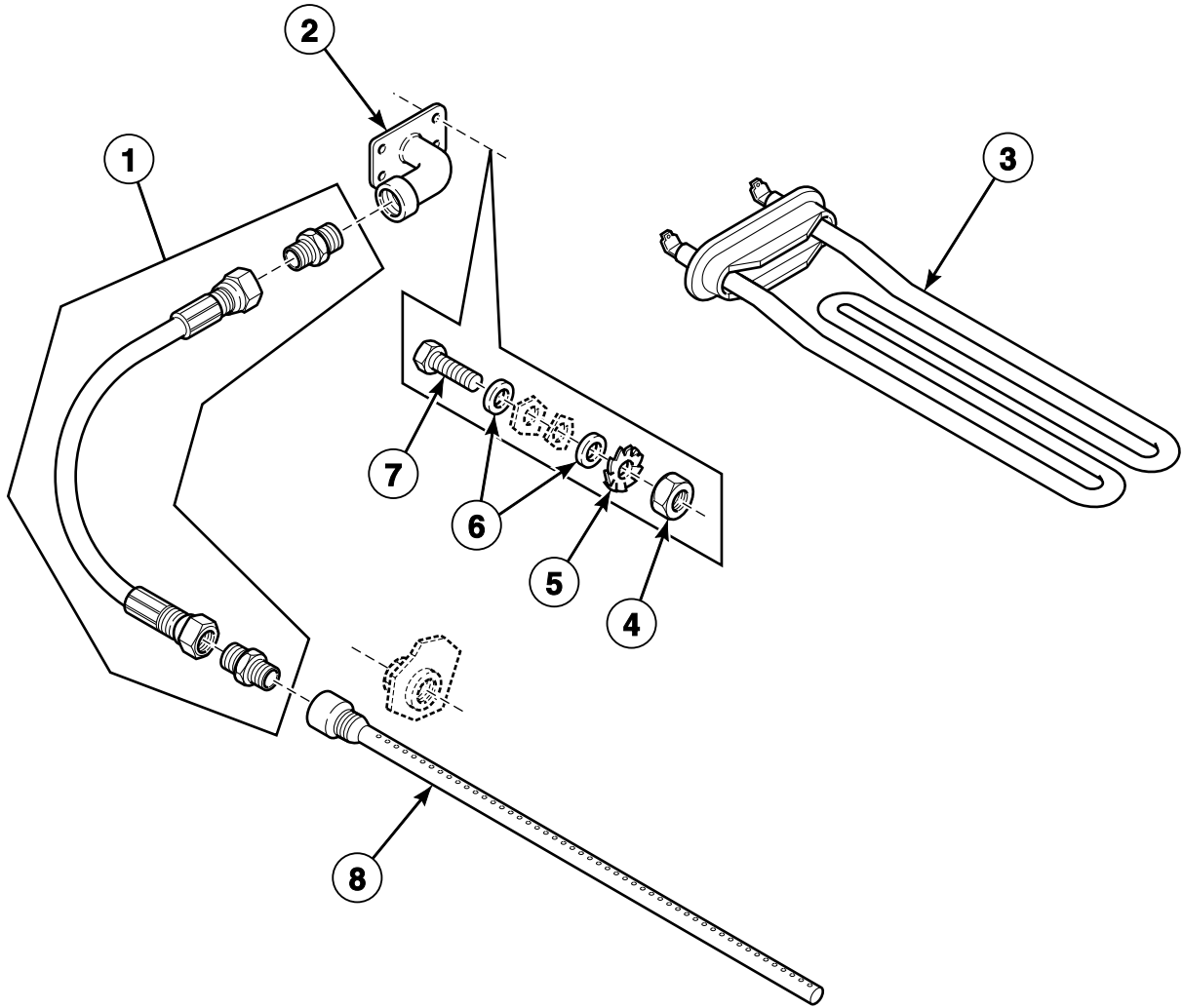


BE000068P_D0341

Liquid Supply Pump - Through Door Glass

| REF | PART NO. | DESCRIPTION | COMMENTS |
|-----|--------------|------------------------------|----------|
| 1 | 205/00103/00 | Bolt | |
| 2 | 203/00004/00 | Washer | |
| 3 | 204/00106/00 | Nut | |
| 4 | 202/00101/00 | Washer | |
| 5 | 204/00009/00 | Nut | |
| 6 | 223/00181/00 | Soap Injector Elbow Coupling | |
| 7 | 209/00369/00 | Liquid Soap Spray Pump | |
| 8 | 111/10179/00 | Spray Pump Mounting Plate | |
| 9 | 201/00007/00 | Washer | |
| 10 | 205/00107/00 | Bolt | |
| 11 | 223/00178/00 | Soap Injector Orifice | |
| 12 | 223/00177/00 | O-Ring | |
| 13 | 211/00126/00 | Soap Injector Orifice Nipple | |
| 14 | 211/00127/00 | Soap Injector Connector | |
| 15 | 223/00176/00 | O-Ring | |
| 16 | 211/10106/00 | Nut | |
| 17 | 223/00182/00 | Soap Injector Coupling | |
| 18 | 223/00180/00 | Soap Injector Hose | |
| 19 | 223/00179/00 | Soap Injector Hose | |
| 20 | 211/00088/00 | Cable Tie | |

Electric and Steam Heating Options

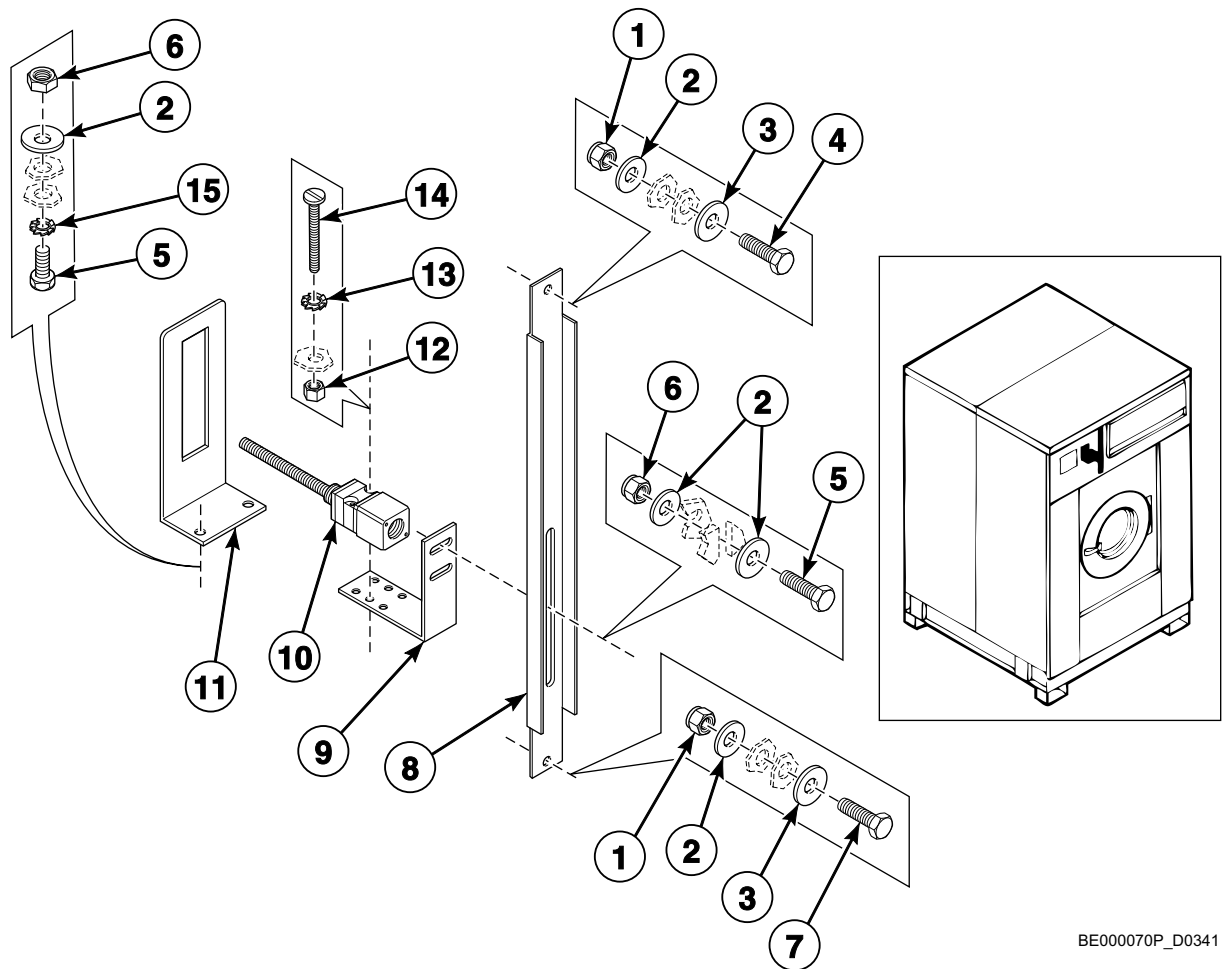


BE000069P_D0341

Electric and Steam Heating Options

| REF | PART NO. | DESCRIPTION | COMMENTS |
|-----|--------------|------------------------|---------------------|
| 1 | 217/00026/00 | Steam Hose | |
| 2 | 153/00047/00 | Steam Connection Inlet | |
| 3 | 209/00049/00 | Heating Element | 3000W; 220/240 Volt |
| | 209/00581/00 | Heating Element | 4000W; 380 Volt |
| 4 | 204/00106/00 | Nut | |
| 5 | 203/00004/00 | Washer | |
| 6 | 202/00106/00 | Washer | |
| 7 | 205/00105/00 | Bolt | |
| 8 | 153/00048/00 | Steam Injector | |

Balance Switch



BE000070P_D0341

Balance Switch

| REF | PART NO. | DESCRIPTION | COMMENTS |
|-----|--------------|-------------------------------|----------|
| 1 | 204/00009/00 | Nut | |
| 2 | 202/00106/00 | Washer | |
| 3 | 202/00101/00 | Washer | |
| 4 | 205/00107/00 | Bolt | |
| 5 | 205/00104/00 | Bolt | |
| 6 | 204/00106/00 | Nut | |
| 7 | 207/00111/00 | Screw | |
| 8 | 153/00045/00 | Out-of-Balance Switch Plate | |
| 9 | 111/00107/00 | Tilt Switch Bracket | |
| 10 | 209/00255/00 | Out-of-Balance Switch | |
| 11 | 153/00046/00 | Out-of-Balance Detector Plate | |
| 12 | 204/00105/00 | Nut | |
| 13 | 206/00006/00 | Bolt | |
| 14 | 207/00018/00 | Screw | |
| 15 | 203/00004/00 | Washer | |