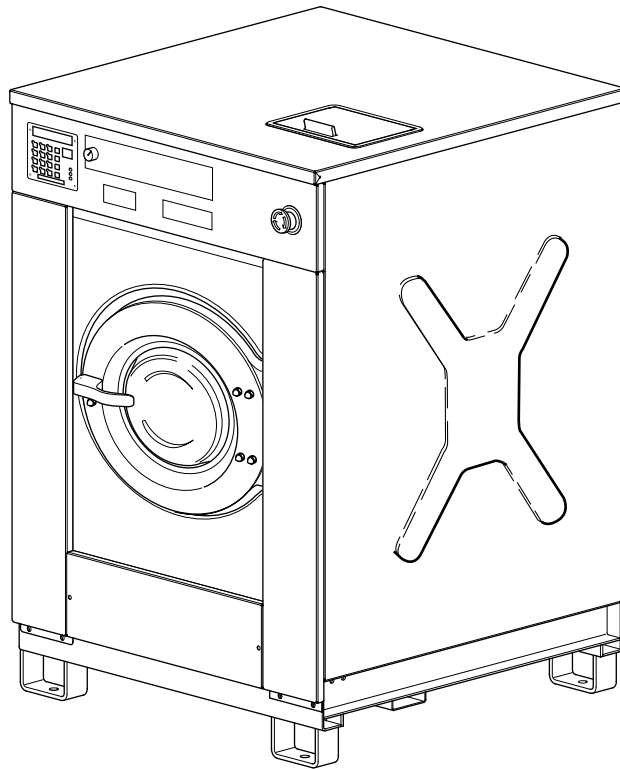


Washer-Extractor

Cabinet Freestanding
Refer to Page 3 for Model Numbers



CFD12C_D0248

Model Identification

Information in this manual is applicable to these washer-extractor models:

HF245_CAM-TIMER

HF245_MICRO-20_COIN

HF245_MICRO-20_OPL

HF245_PC30

HF245_PS40



HF245_PS40F

HF245_SIGMA_COIN

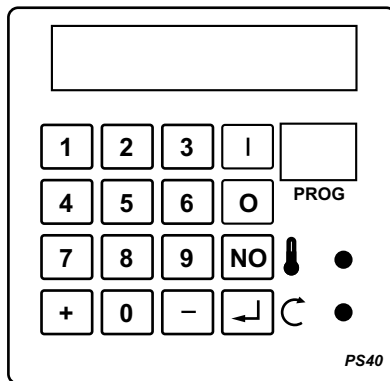
HF245_SIGMA_OPL

Cabinet Freestanding Washer-Extractor Product Overview

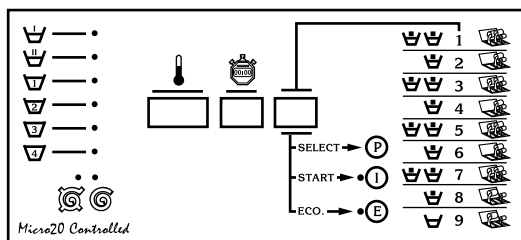
1 2

Type:	HF245P		Nr:	07110580147
Voltage:	3 ~ 380V 50Hz	Weight:	1787 kg	
Motor:	7.5 kW 20 A	Capacity:	575 L	
Heating:	36 kW 60 A	Dry Load:	57 kg	
Total:	43.50 kW	Drum:	980 mm	
Kinetic energy:	23257N/M	Speed:	800 rpm	
Manufactured in:	2007			
Water Pressure:			min. 2.07 max. 5.86 Kg/cm ²	IPX4
			min. 20.7 max. 58.6 N/cm ²	
sfc 741295				
		Alliance International BVBA Nieuwstraat 146 8560 Wevelgem Belgium Tel: +32 56 41 20 54 Fax: +32 56 41 86 74 www.ipso.be		
				

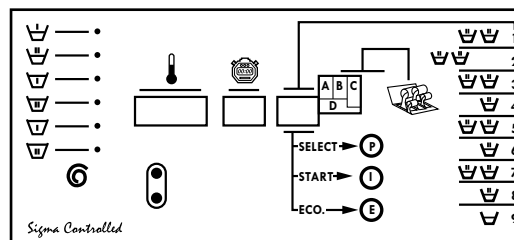
Label 1



PS40



Micro 20



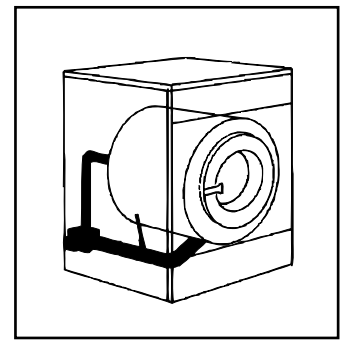
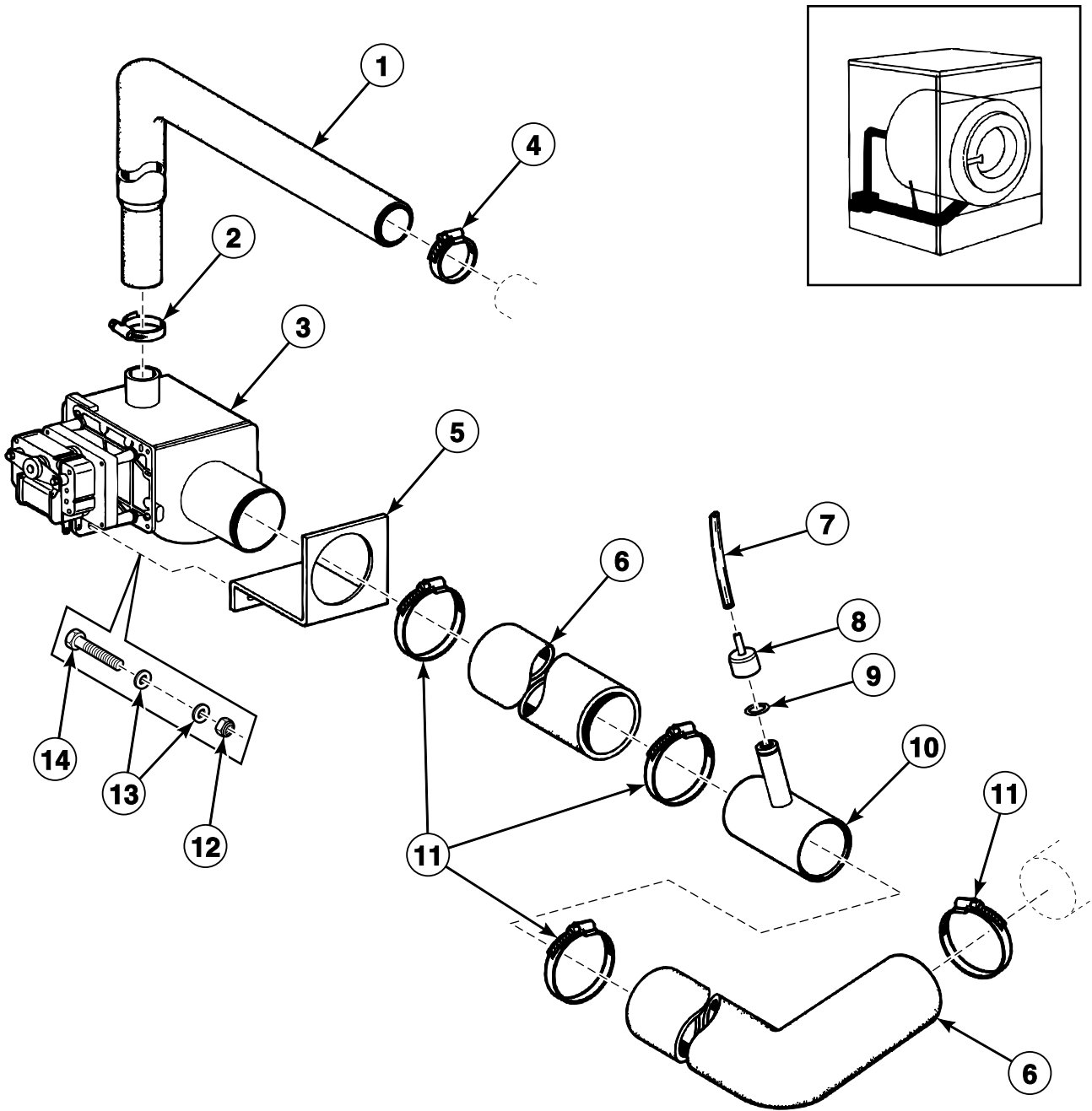
Sigma

CFD303P_D0248

Cabinet Freestanding Washer-Extractor Product Overview

REF	PART NO.	DESCRIPTION	COMMENTS
1	-	Product Family	HF
2	-	Capacity	245

Drain Plumbing

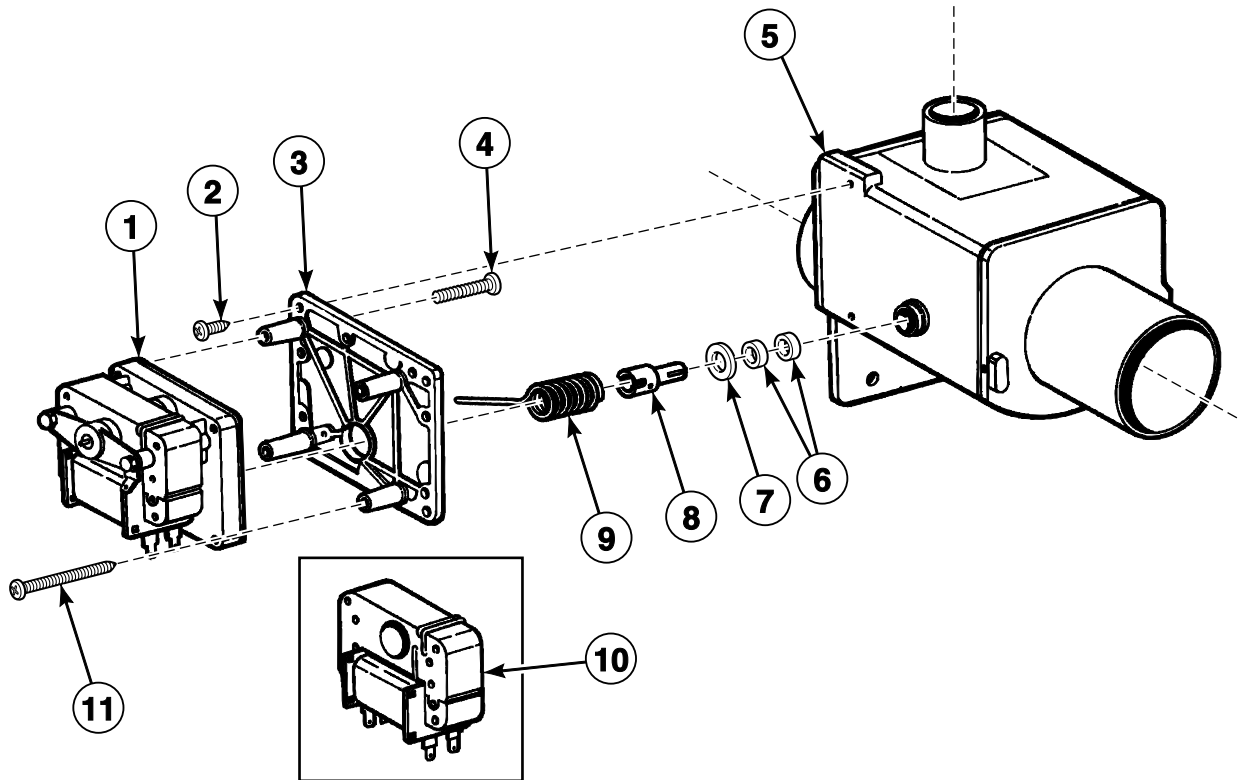


BE100001P_D0248

Drain Plumbing

REF	PART NO.	DESCRIPTION	COMMENTS
1	223/00131/01	Overflow Hose	
2	223/00011/00	Hose Clamp	
3	209/00075/00	Drain Valve	NO
	209/00171/00	Drain Valve	NC
4	223/00013/00	Hose Clamp	
5	115/00147/00	Drain Valve Plate Assembly	
6	223/00141/00	Drain Valve to Drain Pipe Hose	
7	223/00036/00	Pressure Hose	
8	223/00035/02	Pressure Switch Cap	
9	223/00035/03	O-Ring	
10	223/00083/00	Pressure Hose	
11	223/00057/00	Clamp	
12	204/00109/00	Nut	
13	202/00002/00	Washer	
14	206/00009/00	Bolt	

Drain Valve - Normally Open

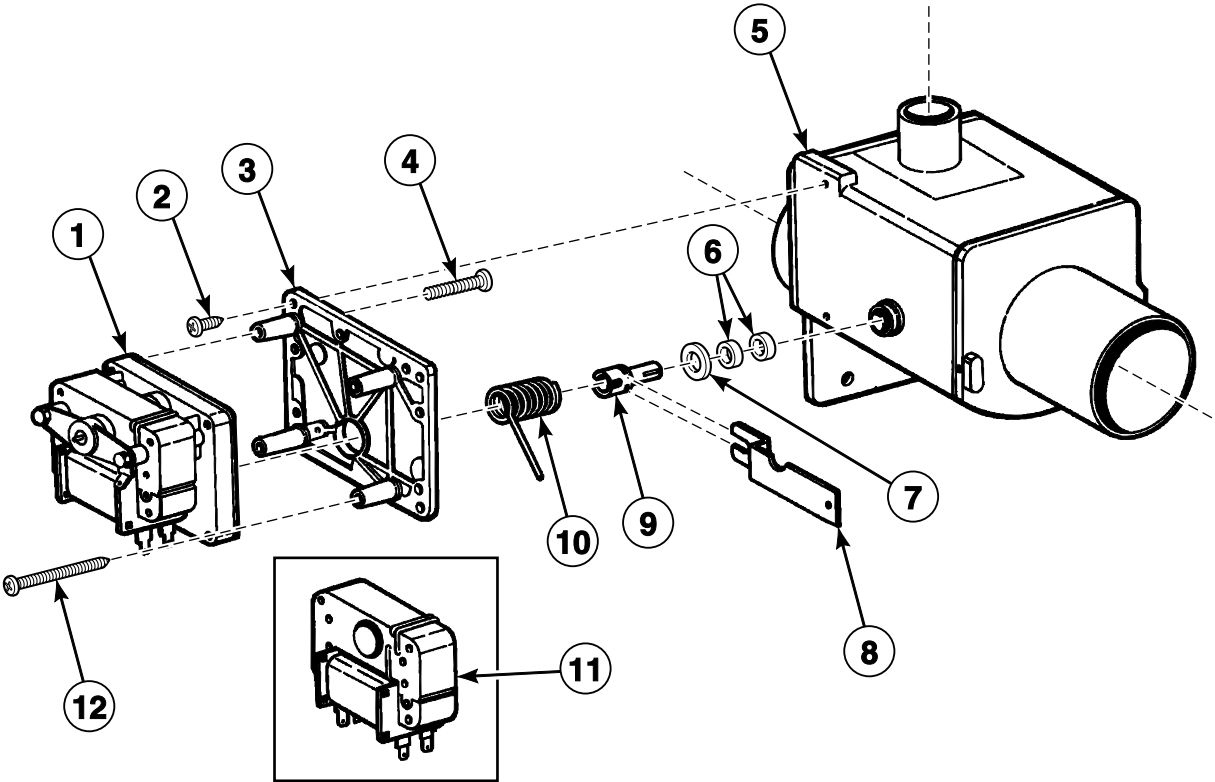


BE100002P_D0248

Drain Valve - Normally Open

REF	PART NO.	DESCRIPTION	COMMENTS
1	209/00052/11	Drain Valve Motor	110 Volt/60 Hertz
	209/00051/11	Drain Valve Motor	220 Volt/50 or 60 Hertz
	209/00203/11	Drain Valve Motor	
2	209/00170/05	Screw	
3	209/00025/07	Drain Valve Motor Mounting Plate	
4	209/00025/08	Screw	
5	209/00075/05	Drain Valve	
6	209/00025/10	Drain Valve Shaft Seal	
7	209/00170/09	Washer	
8	209/00170/10	Drain Valve Shaft	
9	209/00025/13	Drain Valve Spring	
10	209/00203/21	Coil	24 Volt
	209/00052/21	Coil	115 Volt/60 Hertz
	209/00051/21	Coil	220 Volt/50 or 60 Hertz
11	209/00170/07	Screw	

Drain Valve - Normally Closed

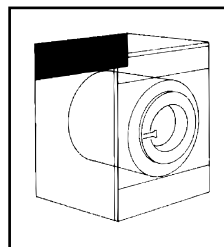
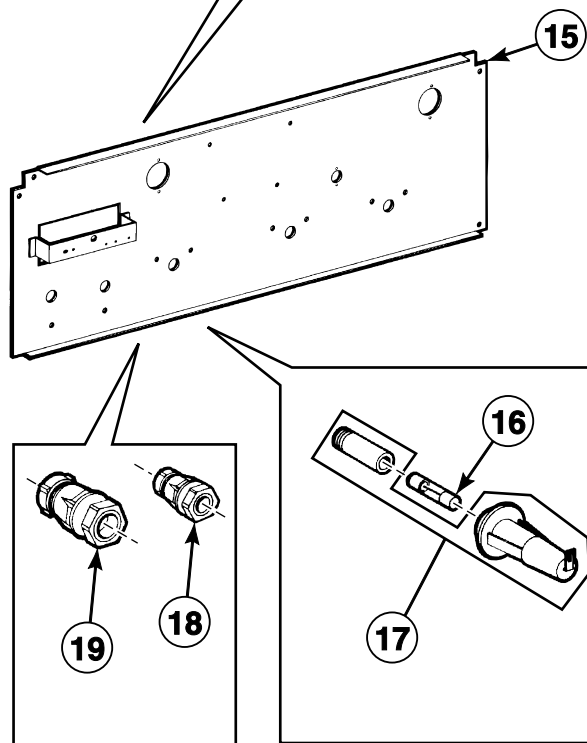
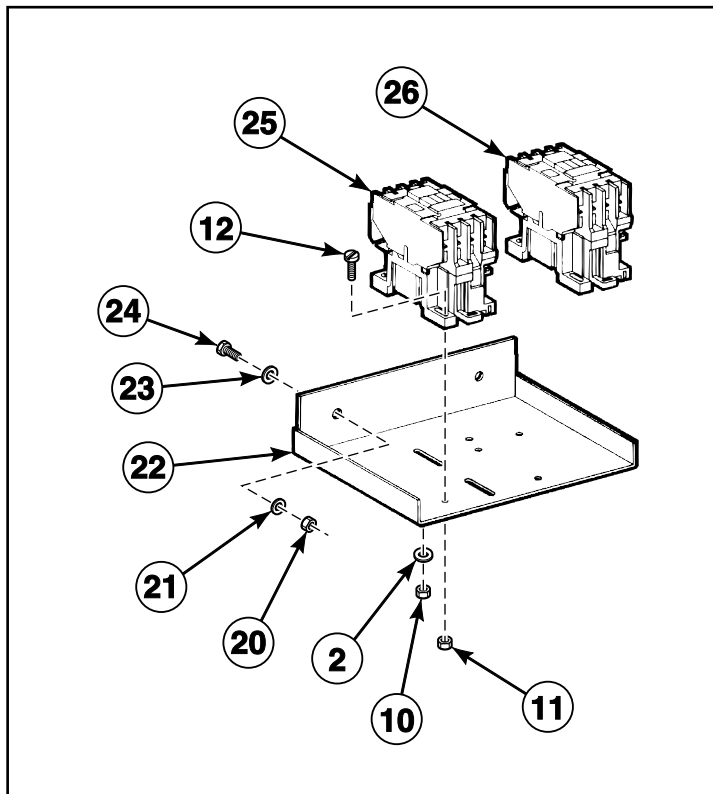
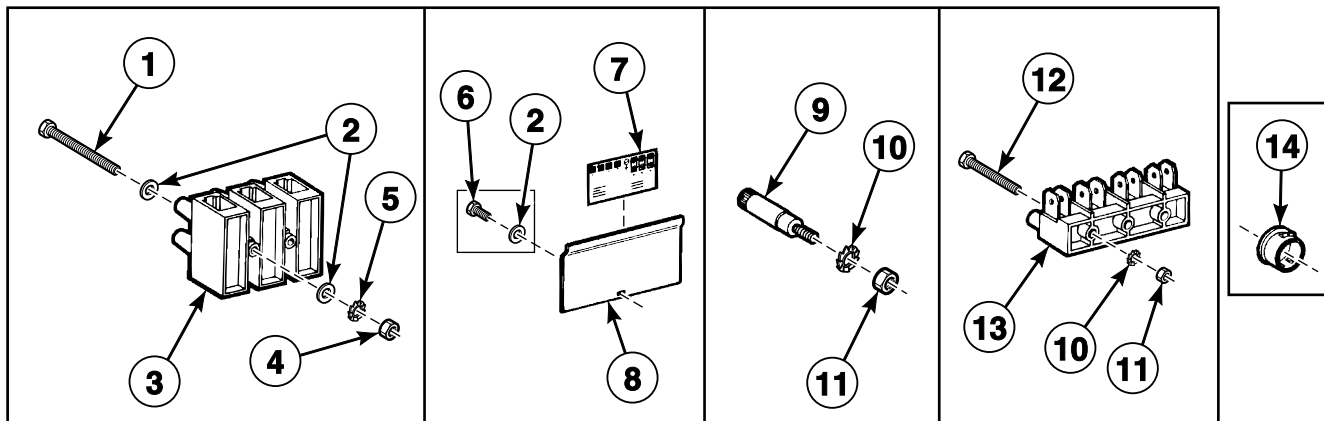


BE10003P_D0248

Drain Valve - Normally Closed

REF	PART NO.	DESCRIPTION	COMMENTS
1	209/00203/12	Drain Valve Motor	24 Volt
	209/00052/12	Drain Valve Motor	110 Volt/50 Hertz
	209/00170/06	Drain Valve Motor Assembly	220 Volt/50 or 60 Hertz
2	209/00170/05	Screw	
3	209/00171/03	Motor Plate	
4	209/00025/08	Screw	
5	209/00075/05	Drain Valve	
6	209/00025/10	Drain Valve Shaft Seal	
7	209/00115/11	Drain Valve Handle	
8	209/00170/09	Washer	
9	209/00170/10	Drain Valve Shaft	
10	209/00170/02	Drain Valve Spring	
11	209/00212/11	Coil	24 Volt
	209/00052/21	Coil	115 Volt/60 Hertz
	209/00170/11	Coil	220 Volt/50 or 60 Hertz
12	209/00170/07	Screw	

Upper Back Panel

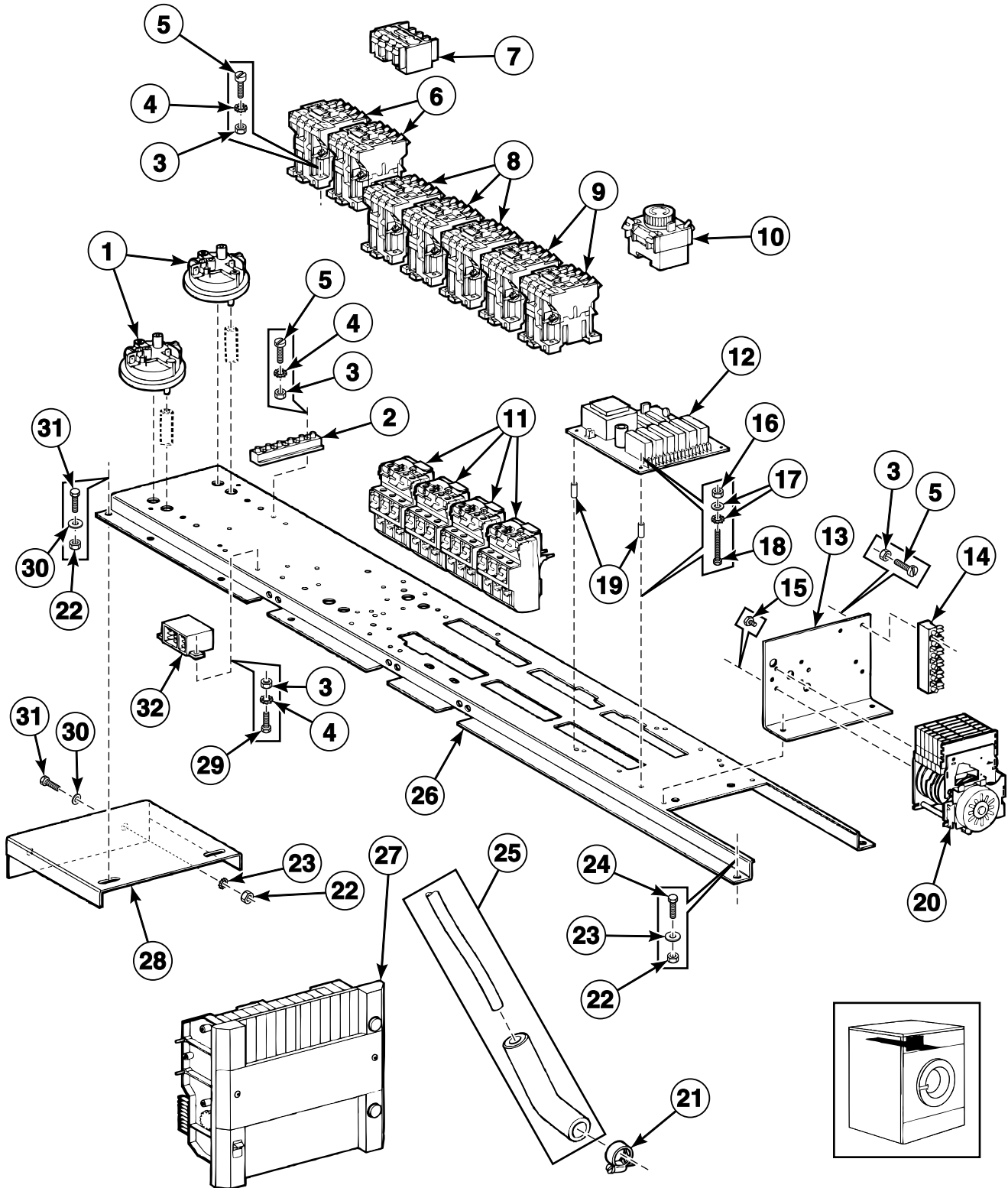


BE10004P_D0248

Upper Back Panel

REF	PART NO.	DESCRIPTION	COMMENTS
1	207/00014/00	Screw	
2	202/00004/00	Washer	
3	209/00057/00	Terminal	3 pole
	209/00291/00	Terminal	12 pole
4	204/00008/00	Nut	
5	203/00007/00	Washer	
6	206/00027/00	Bolt	
7	229/00001/00	Sticker	
8	140/00010/00	Cover Plate	
9	209/00006/00	Terminal	
10	203/00006/00	Washer	
11	204/00007/00	Nut	
12	207/00003/00	Screw	
13	209/00005/00	Terminal Block	
14	211/00084/00	Plug	20.5 mm diameter
	211/00085/00	Stopper	25.5 mm diameter
	211/00086/00	Stopper	28 mm diameter
	211/00087/00	Plug	30 mm diameter
15	133/00001/00	Backbridge	
16	209/00195/00	Fuse	
17	209/00202/00	Fuse Holder	
18	211/00022/00	Nut	
19	211/00023/00	Nut	
20	204/00005/00	Nut	
21	203/00004/00	Washer	
22	140/00011/BO	Contactora Plate	
23	201/00007/00	Washer	
24	206/00014/00	Bolt	
25	209/00041/04	Contactora	LC1-D0901M5
	209/00148/02	Contactora	LC1-D1810M5
26	209/00149/02	Contactora	LC1-D3210M5
	209/06150/02	Contactora	LC1-D5011M5
	209/00177/02	Contactora	LC1-D2510M5
	209/00056/02	Contactora	LC1-D4011M5

Electrical Component Mounting Plate - Mechanical Timer

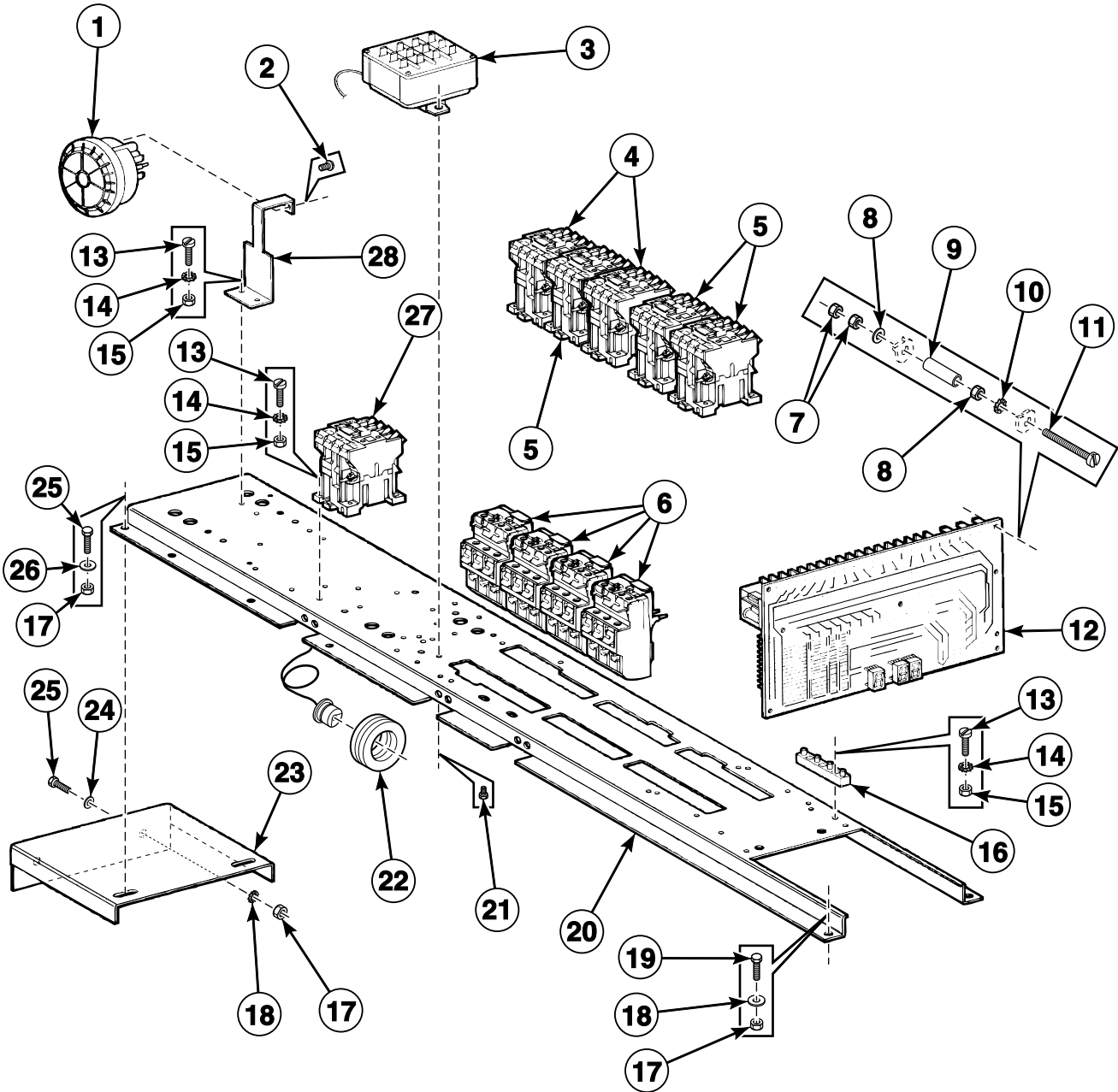


BE100005P_D0248

Electrical Component Mounting Plate - Mechanical Timer

REF	PART NO.	DESCRIPTION	COMMENTS
1	209/00007/10	Water Level Switch	
2	210/10007/00	Connection	
3	204/00007/00	Nut	
4	203/00006/00	Washer	
5	207/00003/00	Screw	
6	209/00041/03	Contactora	LC1-D09019M7
	209/00041/04	Contactora	LC1-D0901M5
	209/00056/02	Contactora	LC1-D4011M5
	209/00136/02	Contactora	LC1-D12109M7
	209/00148/02	Contactora	LC1-D1810M5
	209/00149/02	Contactora	LC1-D3210M5
	209/06150/02	Contactora	LC1-D5011M5
	209/00177/02	Contactora	LC1-D2510M5
	209/00180/03	Contactora	LC1-D12019M7
7	209/00139/02	Contactora	
8	209/00180/03	Contactora	
9	209/00041/03	Contactora	
10	209/00103/02	Switch	
11	209/00263/00	Protector	LR2-D1308; 2.5-4A
	209/00264/00	Protector	LR2-D1310; 4-6A
	209/00285/00	Protector	LR2-D1312; 5.5-8A
	209/00265/00	Protector	LR2-D1314; 7-10A
12	209/00408/00	Printboard	
13	111/00035/00	Mounting Plate	
14	209/00005/00	Terminal Block	
15	206/00021/00	Screw	
16	204/00008/00	Nut	
17	223/00123/00	Washer	
18	207/00014/00	Screw	
19	211/00106/00	Spacer	
20	209/00012/00	Reversing Timer	50 Hertz
	209/00013/00	Reversing Timer	60 Hertz
21	223/00011/00	Hose Clamp	
22	204/00005/00	Nut	
23	203/00004/00	Washer	
24	206/00015/00	Bolt	
25	223/00127/00	Sleeve	
26	140/00011/BO	Contactora Plate	
27	209/00257/00	Card Reader	
28	140/00011/B2	Electrical Components Plate	
29	207/00004/00	Screw	
30	201/00007/00	Washer	
31	206/00014/00	Bolt	
32	209/00141/00	Plug	

Electrical Component Mounting Plate - PLC9 Control

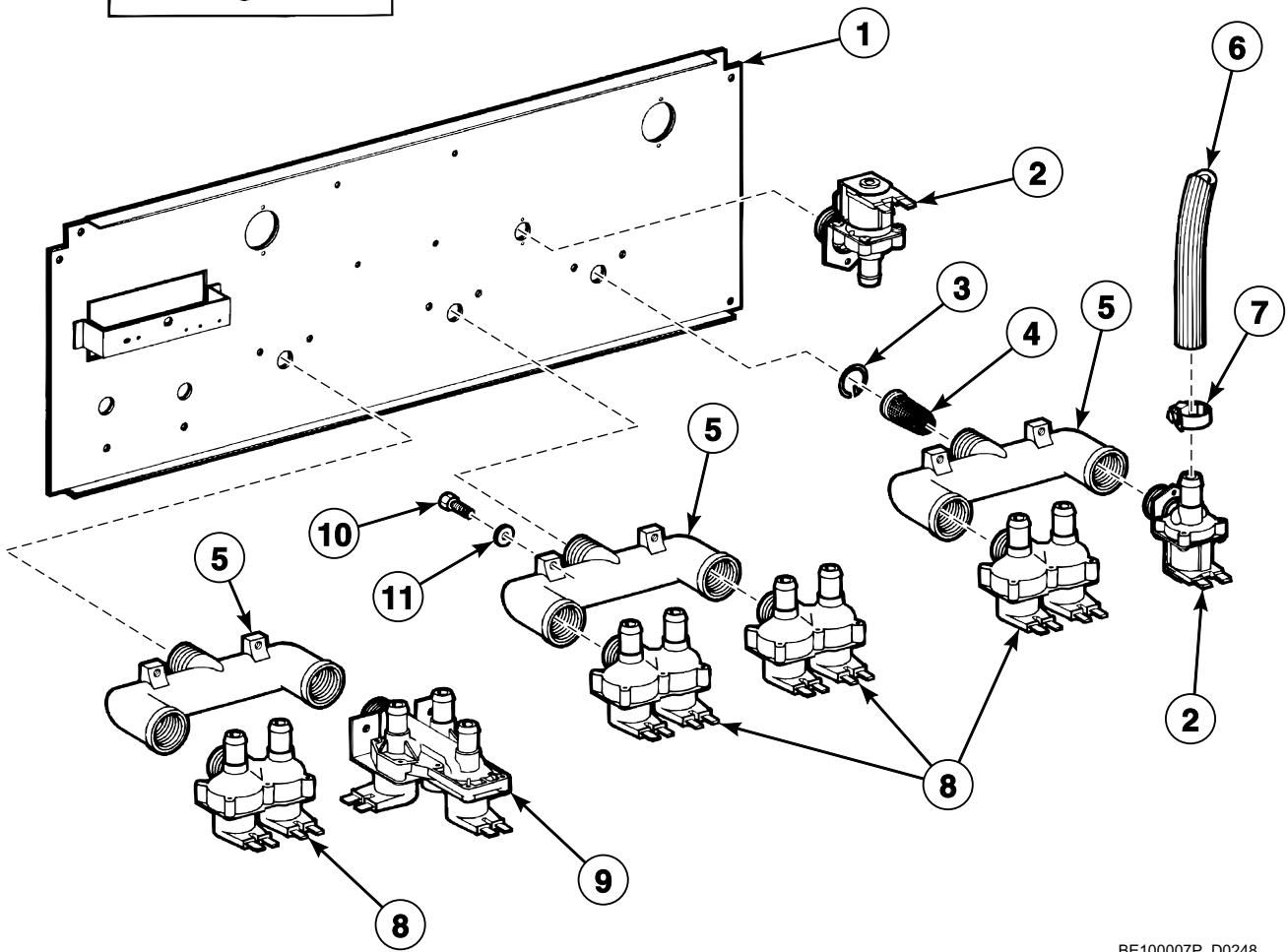
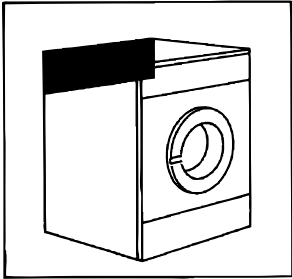


BE10006P_D0248

Electrical Component Mounting Plate - PLC9 Control

REF	PART NO.	DESCRIPTION	COMMENTS
1	209/00007/30	Pressure Switch	
2	208/00007/00	Screw	
3	209/00243/00	Thermostat	
4	209/00180/03	Contactactor	
5	209/00041/03	Contactactor	
6	209/00263/00	Protector	LR2-D1308; 2.5-4A
	209/00264/00	Protector	LR2-D1310; 4-6A
	209/00285/00	Protector	LR2-D1312; 5.5-8A
	209/00265/00	Protector	LR2-D1314; 7-10A
7	204/00008/00	Nut	
8	223/00123/00	Washer	
9	211/00106/00	Spacer	
10	203/00007/00	Washer	
11	207/00025/00	Screw	
12	209/00266/00	Timer	
	111/32106/00	Plate	
13	207/00003/00	Screw	
14	203/00006/00	Washer	
15	204/00007/00	Nut	
16	209/00005/00	Terminal Block	
17	204/00005/00	Nut	
18	203/00004/00	Washer	
19	206/00015/00	Bolt	
20	140/00011/BO	Contactactor Plate	
21	206/00021/00	Screw	
22	225/10004/00	Thermostat Seal	
23	140/00011/B2	Electrical Components Plate	
24	201/00007/00	Washer	
25	206/00014/00	Bolt	
26	201/00007/00	Washer	
	203/00004/00	Washer	
27	209/00180/03	Contactactor	LC1-D12019M7
	209/00149/02	Contactactor	LC1-D3210M5
	209/00041/04	Contactactor	LC1-D0901M5
	209/00136/02	Contactactor	LC1-D12109M7
	209/00148/02	Contactactor	LC1-D1810M5
	209/00041/03	Contactactor	LC1-D09019M7
	209/06150/02	Contactactor	LC1-D5011M5
	209/00177/02	Contactactor	LC1-D2510M5
209/00056/02	Contactactor	LC1-D4011M5	
28	111/00424/00	Pressure Switch Bracket	

Water Inlet Valves - Eaton Valves

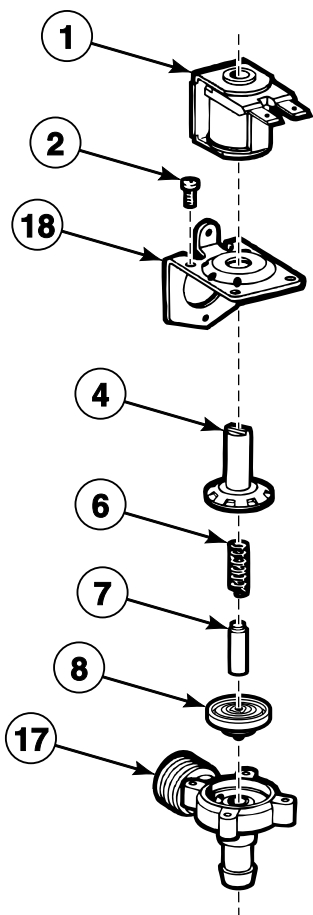


BE100007P_D0248

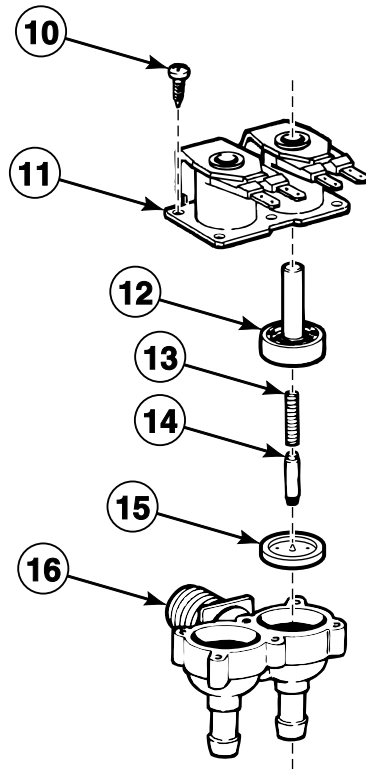
Water Inlet Valves - Eaton Valves

REF	PART NO.	DESCRIPTION	COMMENTS
1	133/00001/00	Backbridge	
2	209/00276/00	Inlet Valve	
3	223/00060/01	Ring	
4	223/00060/00	Filter	
5	223/00058/00	Mounting Piece	
6	223/00044/00	Water Hose	
7	223/00010/00	Hose Clamp	
8	209/00110/00	2-Way Inlet Valve	
9	209/00277/00	3-Way Inlet Valve	
10	206/00015/00	Bolt	
11	202/00003/00	Washer	

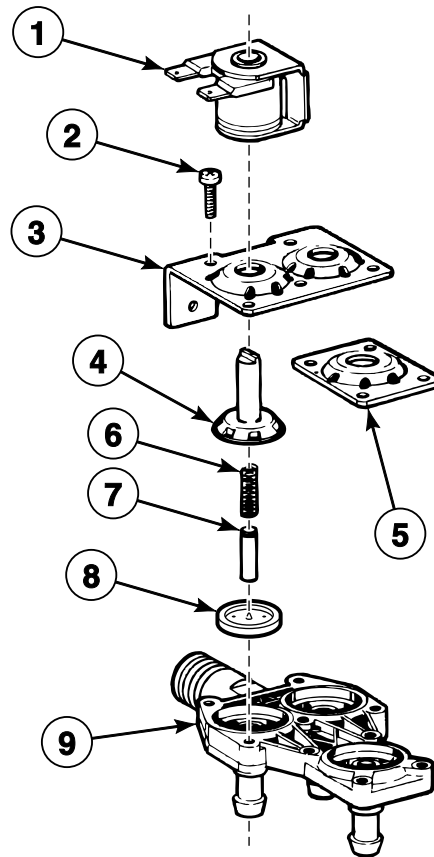
Water Inlet Valves - Elbi and Techno Valves



ELBI



TECHNO



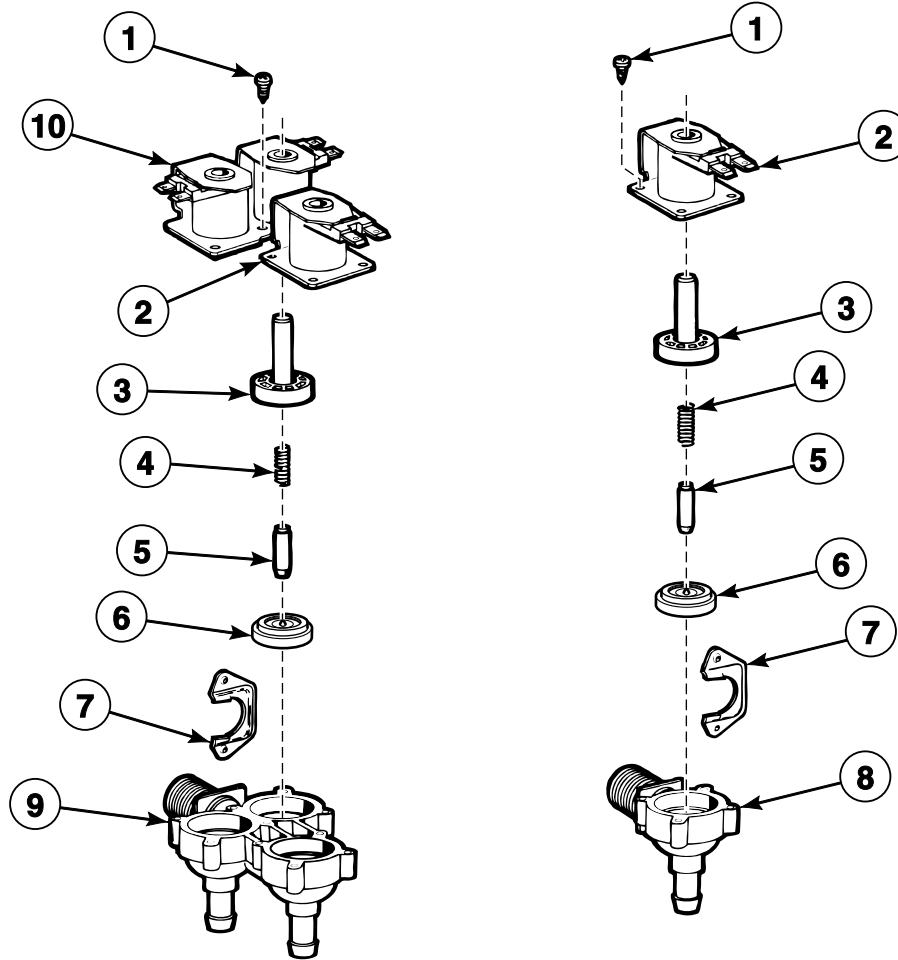
ELBI

BE100008P_D0248

Water Inlet Valves - Elbi and Techno Valves

REF	PART NO.	DESCRIPTION	COMMENTS
1	209/00001/01	Coil	
2	209/00001/02	Screw	
3	209/00001/11	1-Way Plate	
4	209/00001/04	Core Holder	
5	209/00001/03	2-Way Plate	
6	209/00001/05	Spring	
7	209/00001/06	Core	
8	209/00001/07	Diaphragm	
9	209/00001/08	3-Way Inlet Valve	
10	223/00051/01	Screw	
11	223/00051/02	2-Way Inlet Valve	
12	223/00051/03	Core Holder	
13	223/00051/04	Spring	
14	223/00051/05	Core	
15	223/00051/06	Diaphragm	
16	223/00051/07	2-Way Inlet Valve	
17	209/00048/08	1-Way Inlet Valve	
18	209/00048/03	1-Outlet Plate	

Water Inlet Valves - Eaton and Techno Valves

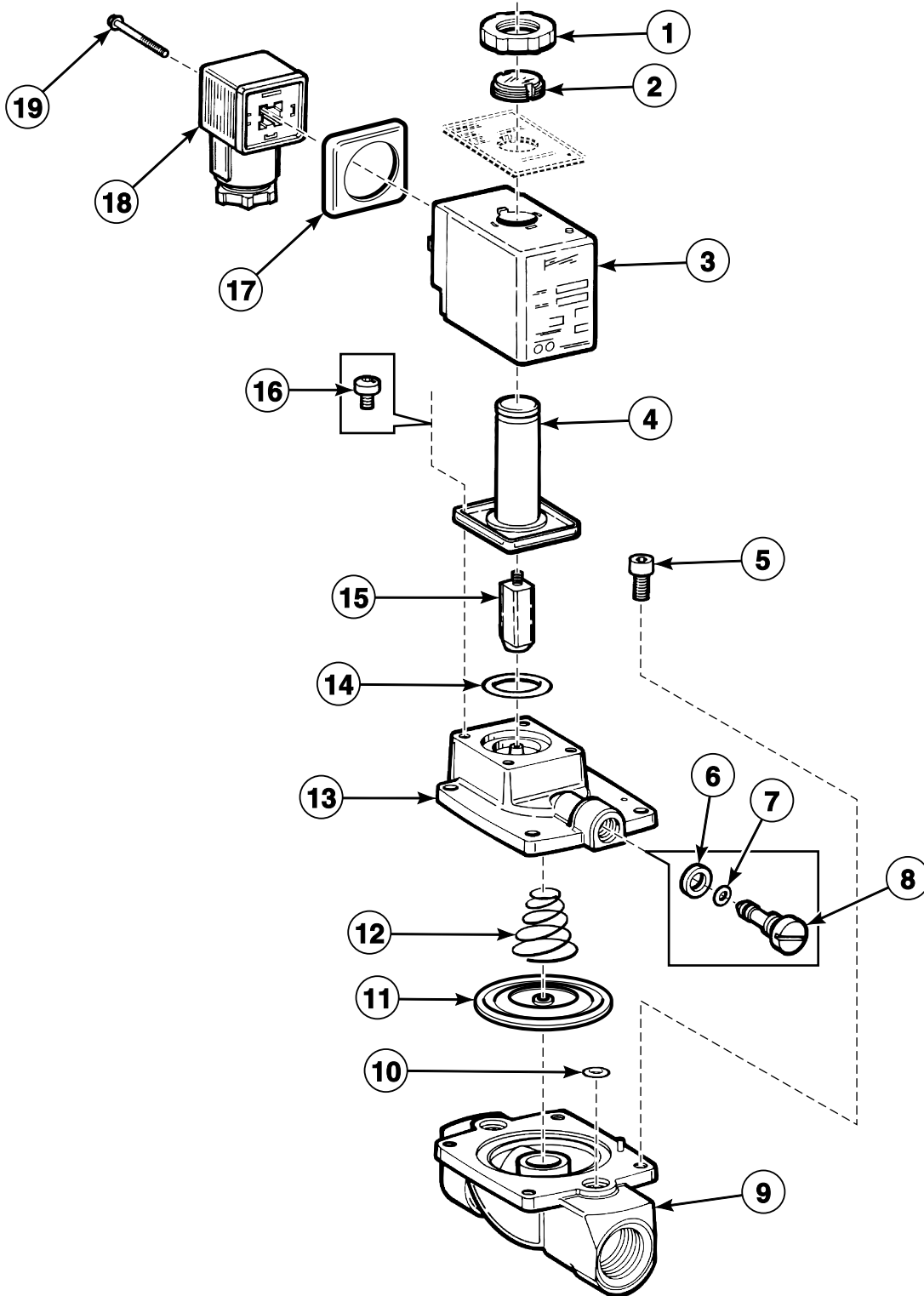


BE100009P_D0248

Water Inlet Valves - Eaton and Techno Valves

REF	PART NO.	DESCRIPTION	COMMENTS
1	223/00051/01	Screw	
2	223/00051/11	Coil	
3	223/00051/03	Core Holder	
4	223/00051/04	Spring	
5	223/00051/05	Core	
6	223/00051/06	Diaphragm	
7	223/00051/09	Plate	
8	223/00051/12	1-Way Inlet Valve	
9	223/00051/13	3-Way Inlet Valve	
10	223/00051/02	2-Way Inlet Valve	

Water Inlet Valves - Danfoss Valve

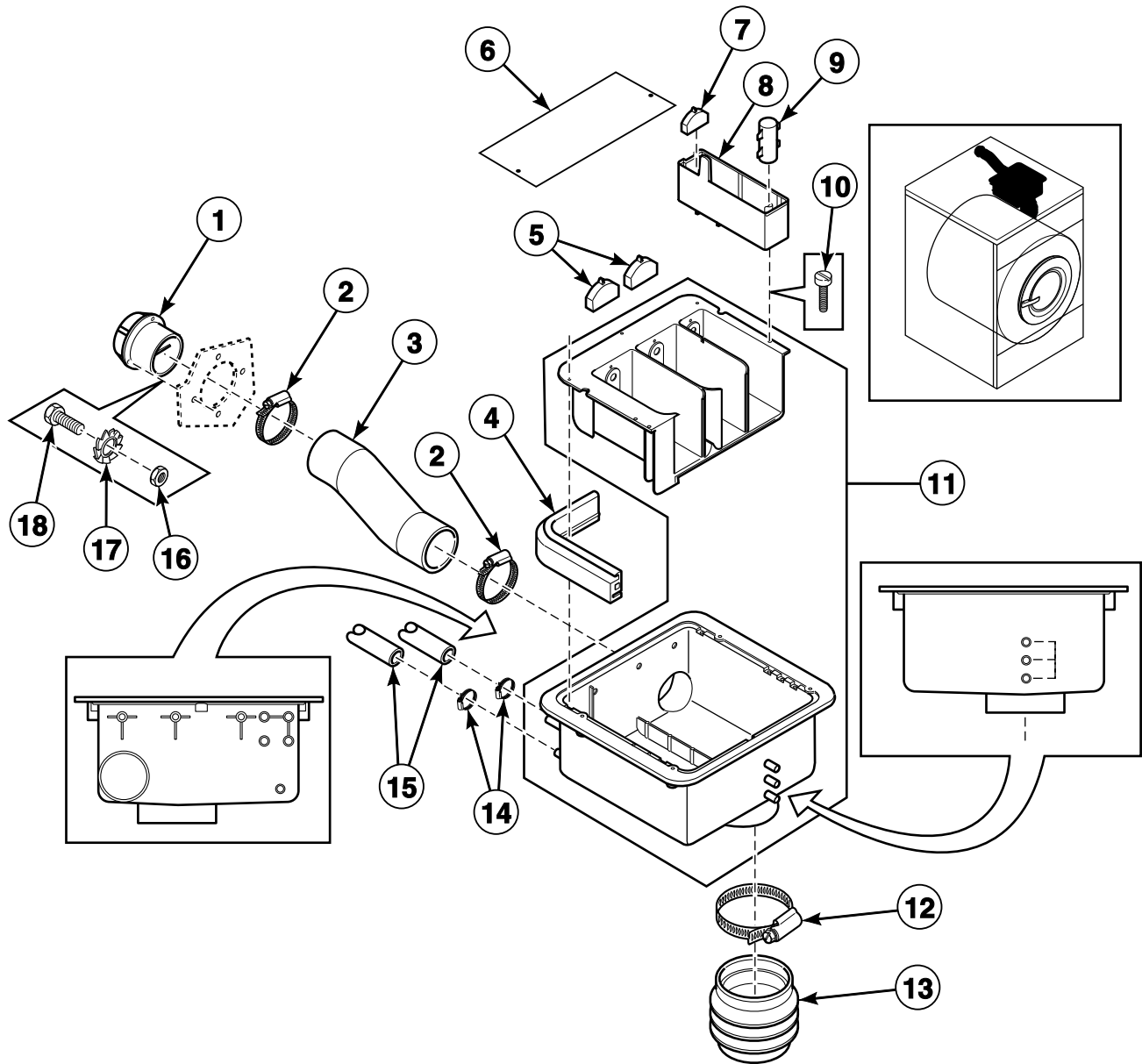


BE100010P_D0248

Water Inlet Valves - Danfoss Valve

REF	PART NO.	DESCRIPTION	COMMENTS
1	209/01306/00	Nut	
2	209/02306/00	Clip	
3	209/00306/02	Coil	
4	209/00306/04	Core Holder	
5	209/00306/07	Screw	
6	209/00306/09	Washer	
7	209/00306/10	O-Ring	
8	209/00306/11	Screw	
9	209/00306/15	Chair	
10	209/00306/12	O-Ring	
11	209/00306/14	Diaphragm	
12	209/00306/13	Spring	
13	209/00306/08	Chair	
14	209/00306/06	O-Ring	
15	209/00306/05	Core	
16	209/00306/16	Screw	
17	209/00306/17	Seal	
18	209/00306/18	Terminal Connector	
19	209/00306/19	Screw	

Supply Dispenser - Small Flow Rate

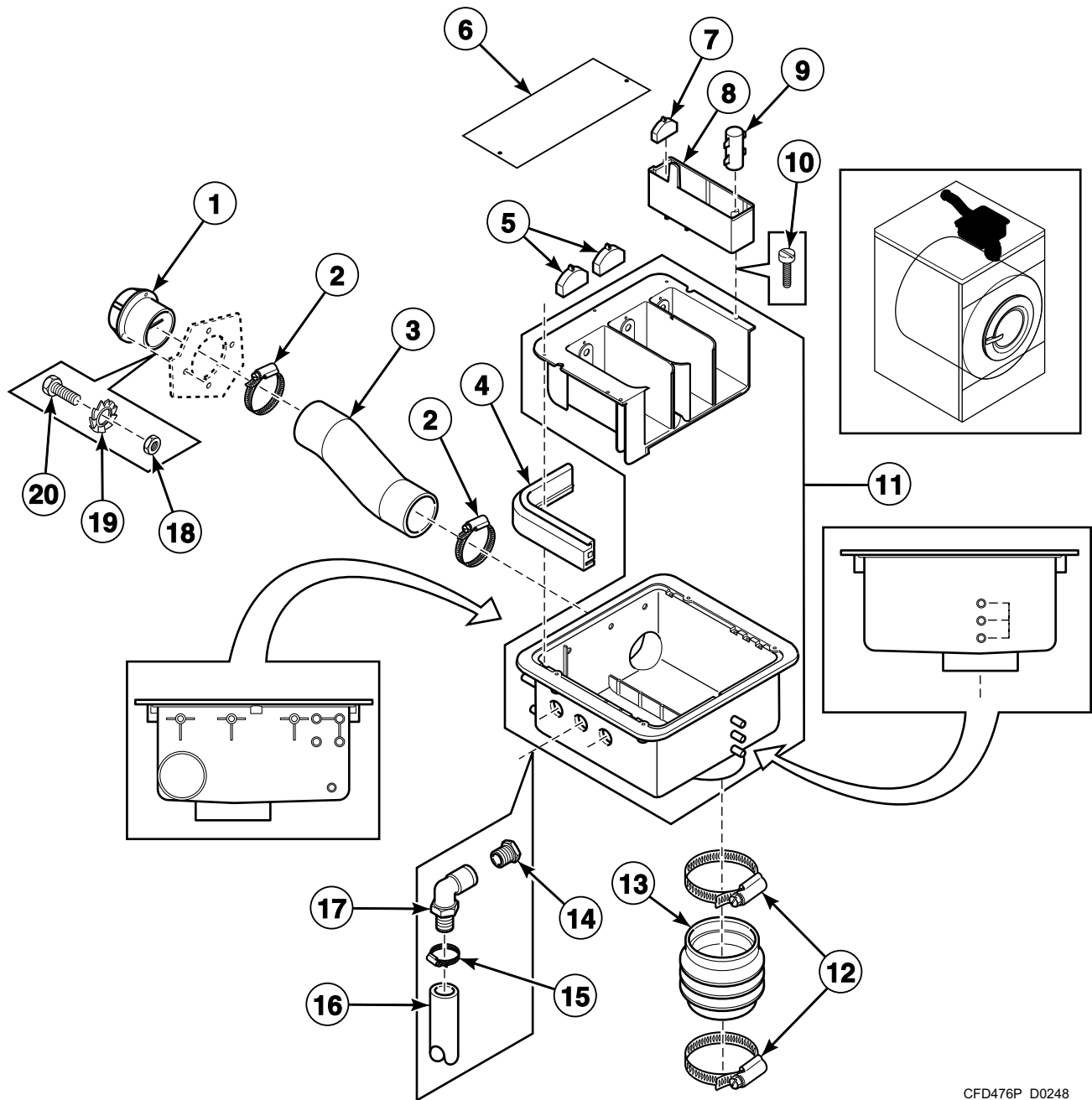


CFD475P_D0248

Supply Dispenser - Small Flow Rate

REF	PART NO.	DESCRIPTION	COMMENTS
1	223/00102/07	Hose Vent	
2	223/00014/00	Hose Clamp	
3	223/00107/04	Hose Vent	
4	223/00109/00	Soap Dispenser Gasket	
5	223/00102/06	Soap Spray Nozzle	
6	123/00107/00	Anti-Splash Plate	Models HF245_SIGMA_COIN and HF245_SIGMA_OPL
	123/00103/06	Soap Box Assembly Plate	All other models
7	223/00102/05	Softener Spray Nozzle	
8	223/00102/03	Rinse Insert	
9	223/00102/04	Soap Dispenser Rinse Siphon	
10	208/00130/00	Screw	
11	223/00102/30	Soap Dispenser Assembly	
12	223/00023/00	Hose Clamp	
13	223/00115/00	Hose	
14	223/00010/00	Hose Clamp	
15	223/00044/00	Water Hose	
16	204/00007/00	Nut	
17	203/00006/00	Washer	M6
	202/00004/00	Washer	M4
18	206/00027/00	Bolt	

Supply Dispenser - Large Flow Rate

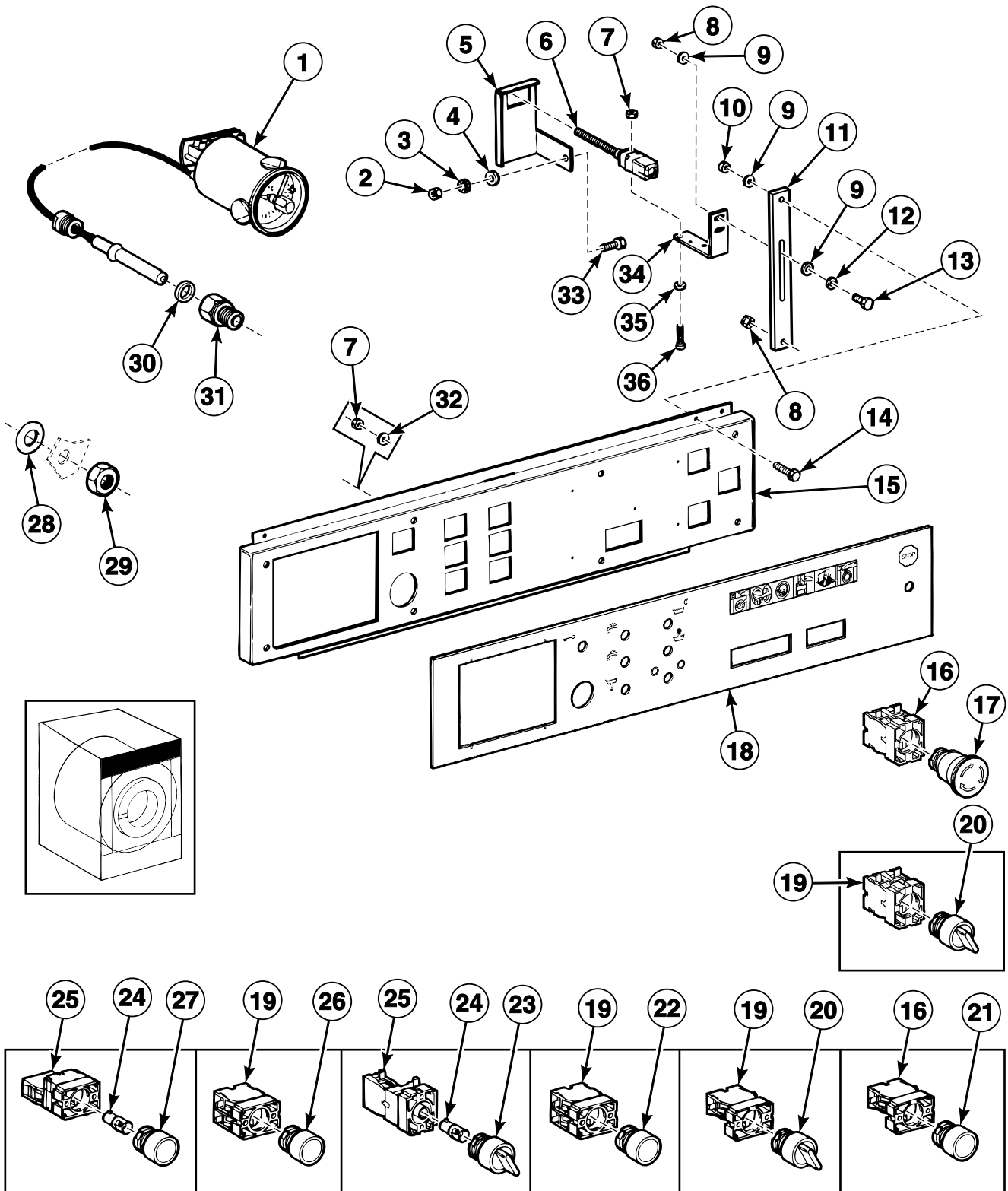


CFD476P_D0248

Supply Dispenser - Large Flow Rate

REF	PART NO.	DESCRIPTION	COMMENTS
1	223/00102/07	Hose Vent	
2	223/00014/00	Hose Clamp	
3	223/00107/04	Hose Vent	
4	223/00109/00	Soap Dispenser Gasket	
5	223/00102/06	Soap Spray Nozzle	
6	123/00107/00	Anti-Splash Plate	Models HF245_SIGMA_COIN and HF245_SIGMA_OPL
	123/00103/06	Soap Box Assembly Plate	All other models
7	223/00102/05	Softener Spray Nozzle	
8	223/00102/03	Rinse Insert	
9	223/00102/04	Soap Dispenser Rinse Siphon	
10	208/00130/00	Screw	
11	223/00102/30	Soap Dispenser Assembly	
12	223/00023/00	Hose Clamp	
13	223/00115/00	Hose	
14	211/10147/00	Mounting Piece	
15	223/00011/00	Hose Clamp	
16	223/00059/00	Water Hose	
17	211/10149/00	Flow Nozzle	
18	204/00007/00	Nut	
19	203/00006/00	Washer	M4
	202/00004/00	Washer	M6
20	206/00027/00	Bolt	

Control Panel - Fiber Card

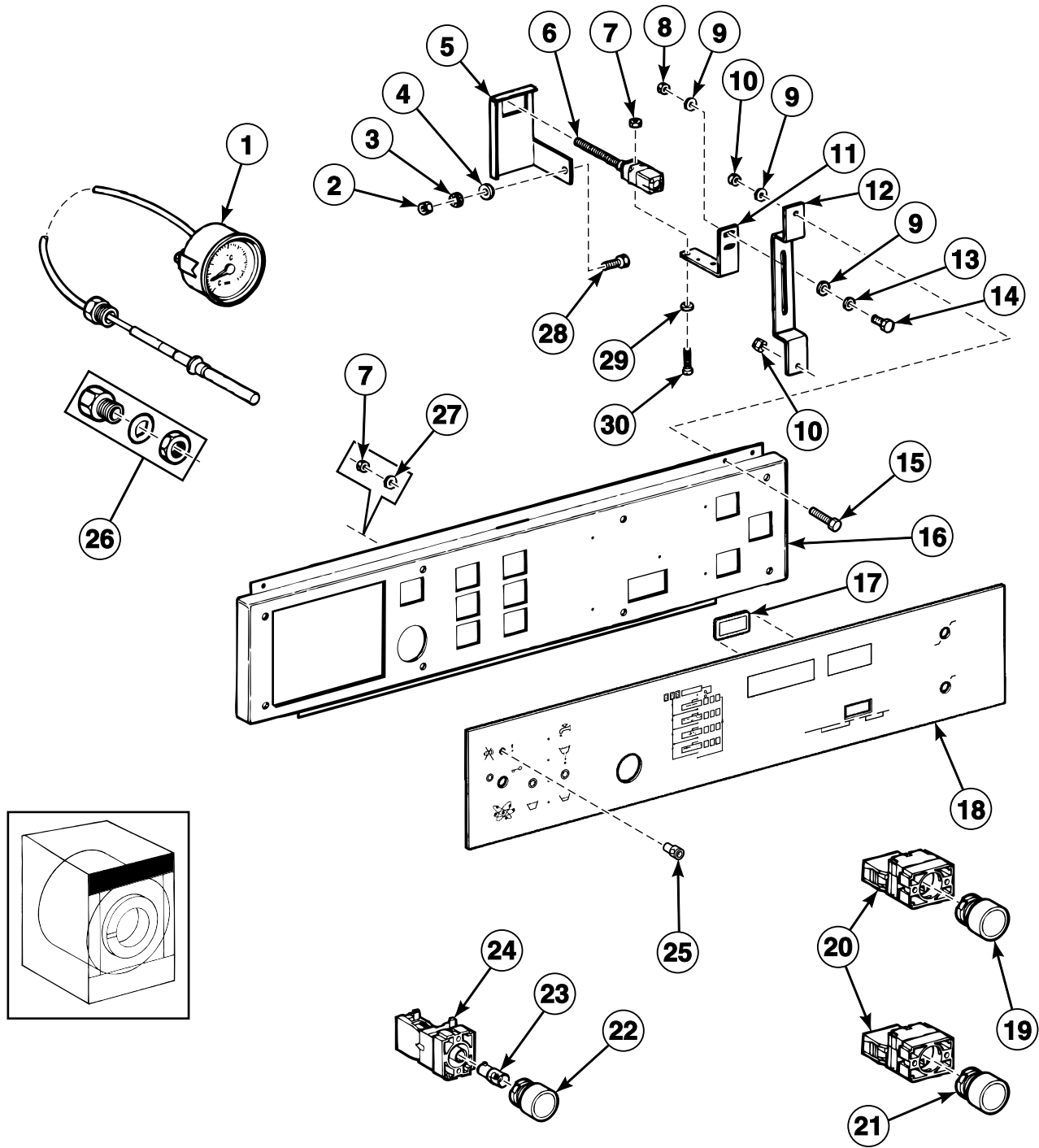


BE100013P_D0248

Control Panel - Fiber Card

REF	PART NO.	DESCRIPTION	COMMENTS
1	209/00143/00	Thermostat	3 temperature
	209/00144/00	Thermostat	2 temperature
2	204/00003/00	Nut	
3	203/00002/00	Washer	
4	201/00010/00	Washer	
5	111/32959/00	Out-of-Balance Switch Bracket	
6	209/00255/00	Out-of-Balance Switch	
7	204/00007/00	Nut	
8	204/00009/00	Nut	
9	201/00007/00	Washer	
10	204/00005/00	Nut	
11	209/00255/01	Switch	
12	203/00004/00	Washer	
13	206/00014/00	Bolt	
14	206/00015/00	Bolt	
15	111/32949/00	Front Panel	
16	209/00253/00	Emergency Stop Button Kit	Includes frame and contact
	209/00099/06	Contact Switch	Contact only; NC
17	209/00248/00	Mushroom Pushbutton	
18	225/00257/OBL	Panel	
19	209/00099/05	Contact	Includes frame and contact
	209/00099/06	Contact Switch	Contact only; NO
20	209/00099/08	Button	
21	209/00252/00	Button	
22	209/00251/00	Button	
23	209/00250/00	Button	
24	209/00249/00	Pilot Light	
25	209/00254/00	Pushbutton	
26	209/00099/04	Button	
27	209/00254/21	Pushbutton	
28	223/00065/01	Washer	
29	223/00038/01	Nut	
30	223/00065/02	Thermostat Joint	
31	223/00065/00	Thermostat Seal	
32	201/00008/00	Washer	
33	206/00005/00	Bolt	
34	111/00107/00	Tilt Switch Bracket	
35	203/00006/00	Washer	
36	207/00018/00	Screw	

Control Panel - PLC9 Control

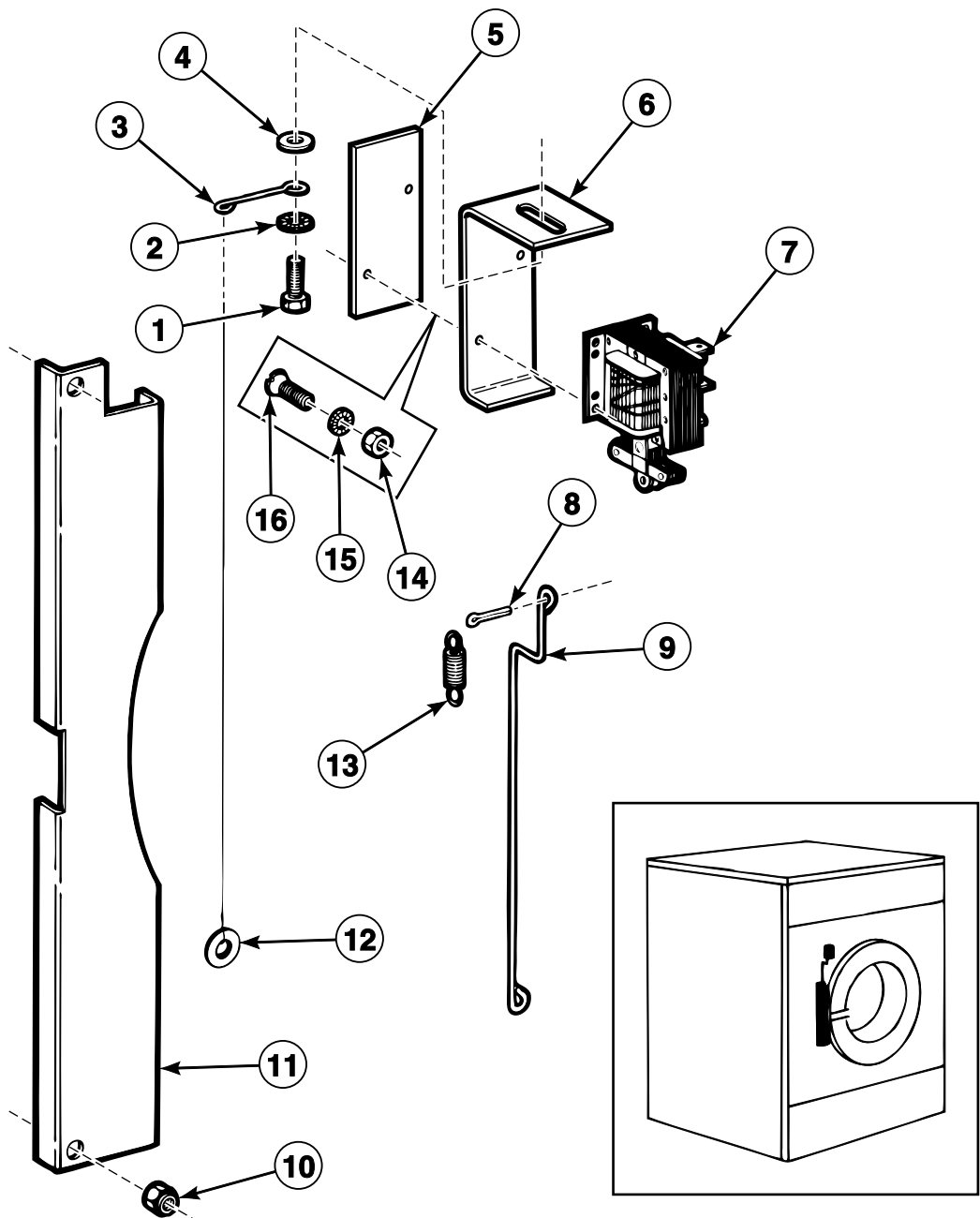


BE100015P_D0248

Control Panel - PLC9 Control

REF	PART NO.	DESCRIPTION	COMMENTS
1	211/00115/00	Thermostat	
2	204/00003/00	Nut	
3	203/00002/00	Washer	
4	201/00010/00	Washer	
5	111/32959/00	Out-of-Balance Switch Bracket	
6	209/00255/00	Out-of-Balance Switch	
7	204/00007/00	Nut	
8	204/00005/00	Nut	
9	201/00007/00	Washer	
10	204/00009/00	Nut	
11	111/00107/00	Tilt Switch Bracket	
12	209/00255/01	Switch	
13	203/00004/00	Washer	
14	206/00014/00	Bolt	
15	206/00015/00	Bolt	
16	111/32949/00	Front Panel	
17	223/10066/00	Display	
18	225/00264/AOL	Panel	
19	209/00099/04	Button	
20	209/00253/00	Emergency Stop Button Kit	
21	209/00252/00	Button	
22	209/00254/21	Pushbutton	
23	209/00249/00	Pilot Light	
24	209/00254/00	Pushbutton	
25	209/00152/00	Lens Cover	
	209/00151/00	Lamp	
26	223/00065/00	Thermostat Seal	
27	201/00008/00	Washer	
28	206/00005/00	Bolt	
29	203/00006/00	Washer	
30	207/00018/00	Screw	

Door Lock - PLC9 Control

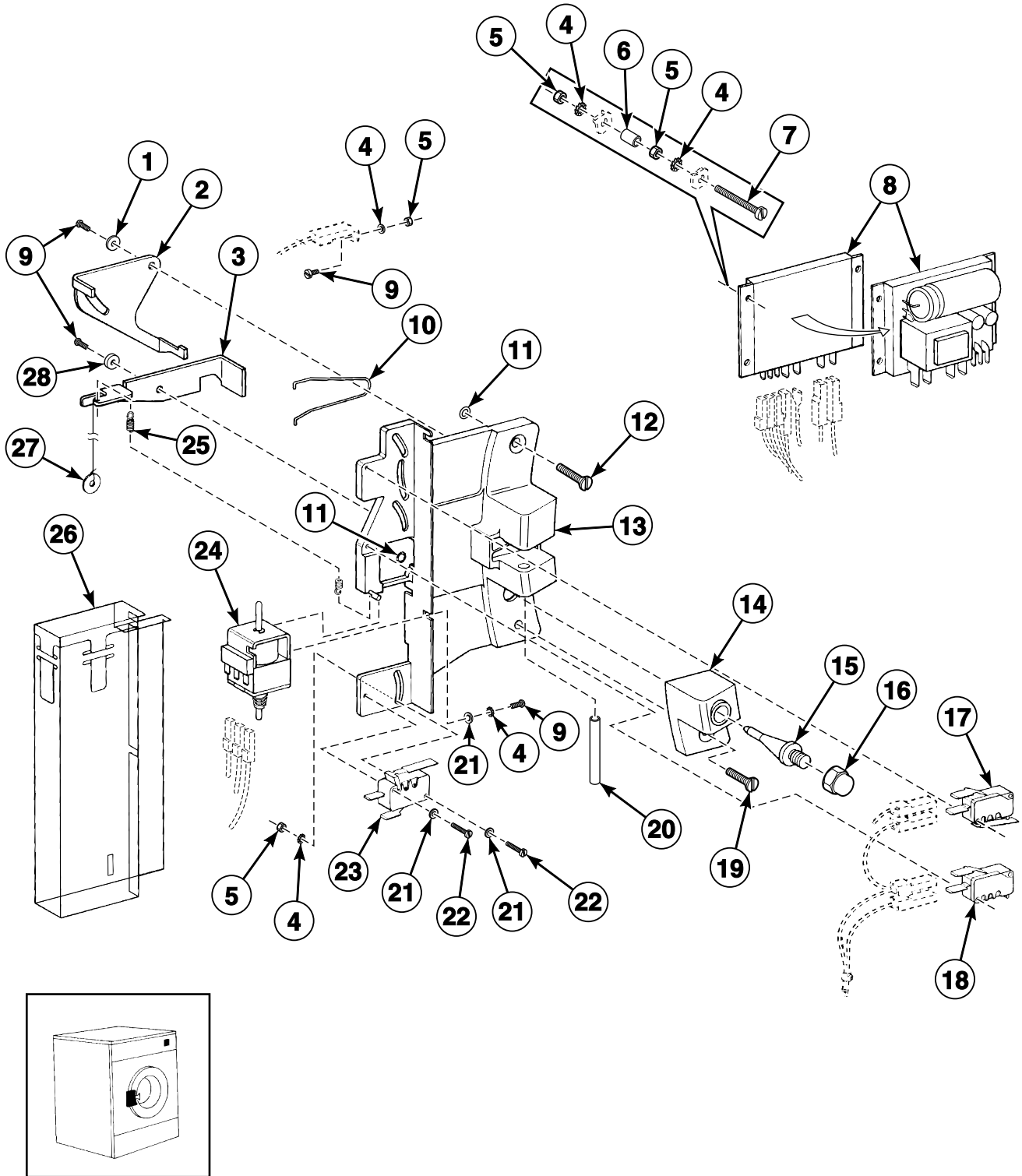


BE100016P_D0248

Door Lock - PLC9 Control

REF	PART NO.	DESCRIPTION	COMMENTS
1	205/00105/00	Bolt	
2	203/00004/00	Washer	
3	124/00035/00	Spindle	
4	202/00003/00	Washer	
5	246/00079/01	Insulation	
6	209/00220/00	Plate	
7	209/00017/00	Door Interlock Coil	50 Hertz
	209/00018/00	Door Interlock Coil	60 Hertz
8	208/00003/00	Cotter Pin	
9	124/00005/00	Wire Bridge	
10	204/00009/00	Nut	
11	119/00212/00	Cover Plate	
12	224/00015/00	Door Latch Cord	
13	224/00009/00	Door Lock Spring	
14	204/00008/00	Nut	
15	203/00007/00	Washer	
16	207/00019/00	Screw	

Door Lock - All Controls Except PLC9

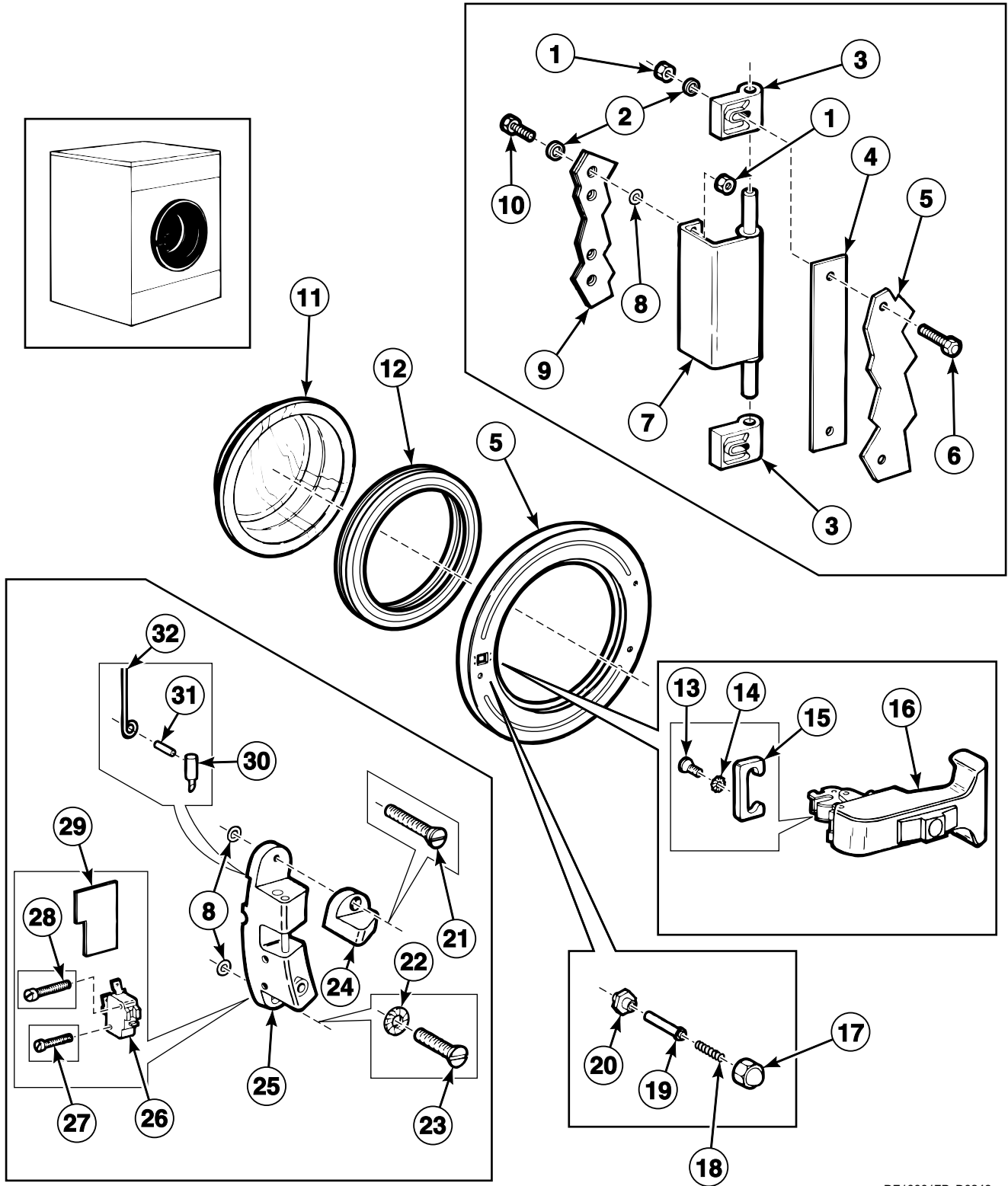


BE100029P_D0248

Door Lock - All Controls Except PLC9

REF	PART NO.	DESCRIPTION	COMMENTS
1	201/00017/00	Washer	
2	217/00052/05	Switch Lever	
3	217/00052/04	Interlock Lever	
4	203/00007/00	Washer	
5	204/00008/00	Nut	
6	211/00106/00	Spacer	
7	207/00006/00	Screw	
8	209/00275/04	Door Lock Board	
9	207/00135/00	Screw	
10	224/00040/00	Lever Spring	
11	217/00021/00	O-Ring	
12	207/00103/00	Screw	
13	217/00052/01	Door Lock Assembly	
14	217/00052/02	Door Lock Pin Kit	
15	211/00109/00	Door Lock Pin Kit	
16	204/00103/00	Nut	
17	209/00271/00	Microswitch	
18	209/00272/00	Door Lock Microswitch	
19	207/00102/00	Screw	
20	217/00017/03	Lock Shaft	
21	201/00018/00	Washer	
22	207/00009/00	Screw	
23	209/00273/00	Light Microswitch	
24	209/00274/00	Door Lock Solenoid	
25	224/00043/00	Interlock Coil Spring	
26	211/00110/00	Lock	
27	224/00015/00	Door Latch Cord	
28	217/00052/03	Door Lock Spacer	

Door

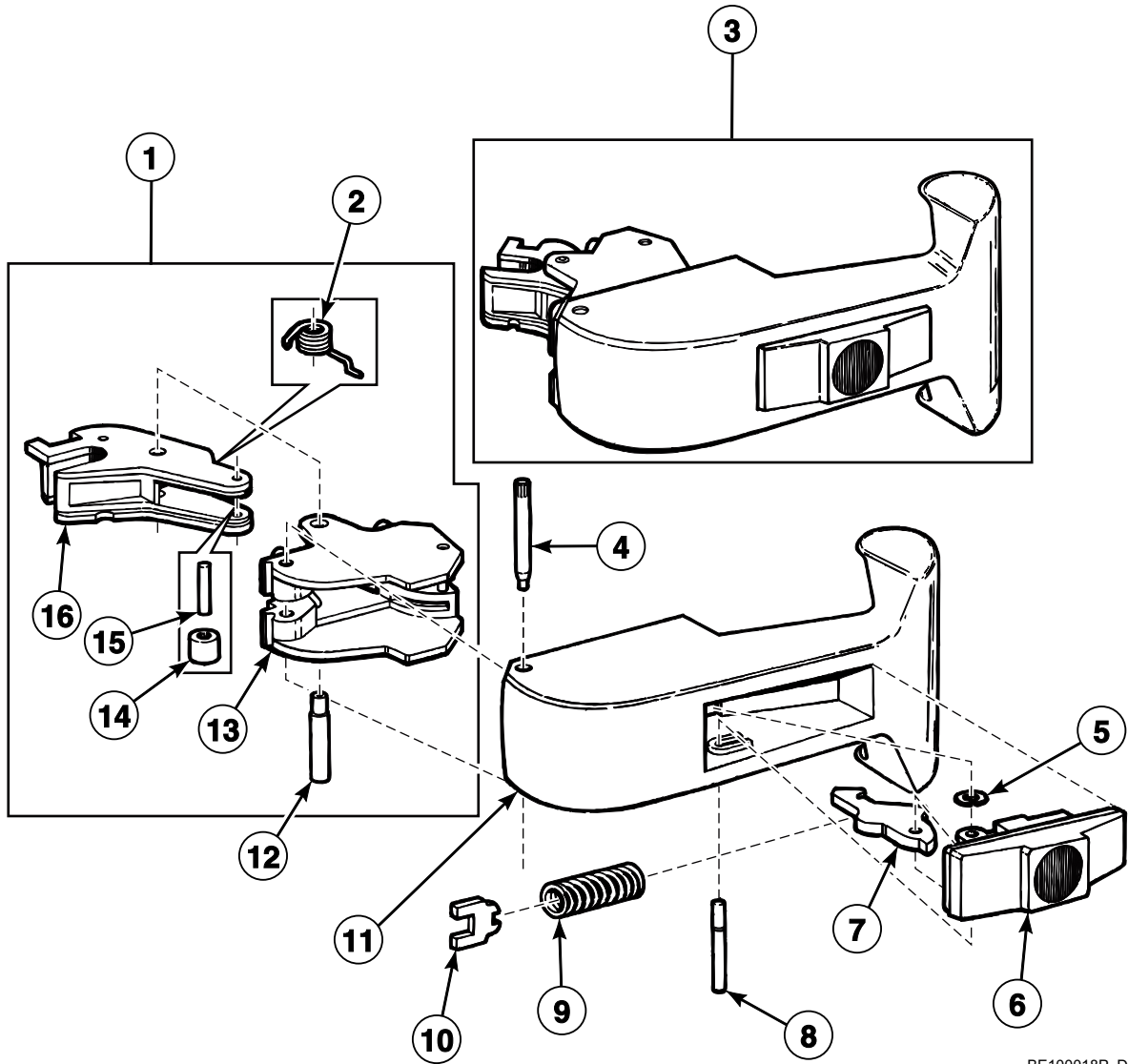


BE100017P_D0248

Door

REF	PART NO.	DESCRIPTION	COMMENTS
1	204/00106/00	Nut	
2	202/00101/00	Washer	
3	217/00009/02	Door Hinge Assembly	
4	117/00010/00	Door Hinge Spacer	1 mm
	117/00011/00	Door Hinge Spacer	2 mm
5	118/00125/00	Door	
6	205/00103/00	Bolt	
7	131/00046/00	Hinge	
8	217/00021/00	O-Ring	
9	131/00002/00	Front Panel	
10	205/00104/00	Bolt	
11	B12449801	Door Glass	
12	223/00068/00	Door Glass Seal	
13	207/00020/00	Screw	
14	203/00008/00	Washer	
15	217/00016/00	Door Handle Stop	
16	217/00051/00	Door Handle	
17	204/00103/00	Nut	
18	217/00020/00	Spring	
19	211/00105/00	Pin	
20	217/00019/00	Holder	
21	207/00102/00	Screw	
22	203/00010/00	Washer	
23	207/00103/00	Screw	
24	217/00017/02	Protection Block	
25	217/00017/00	Door Lock Assembly	
26	209/00023/00	Door Switch	
27	207/00108/00	Screw	
28	207/00109/00	Screw	
29	217/00038/00	Insulation Plate	
30	224/00003/00	Interlock Pin	
31	208/00004/00	Pin	
32	124/00005/00	Wire Bridge	

Door Handle

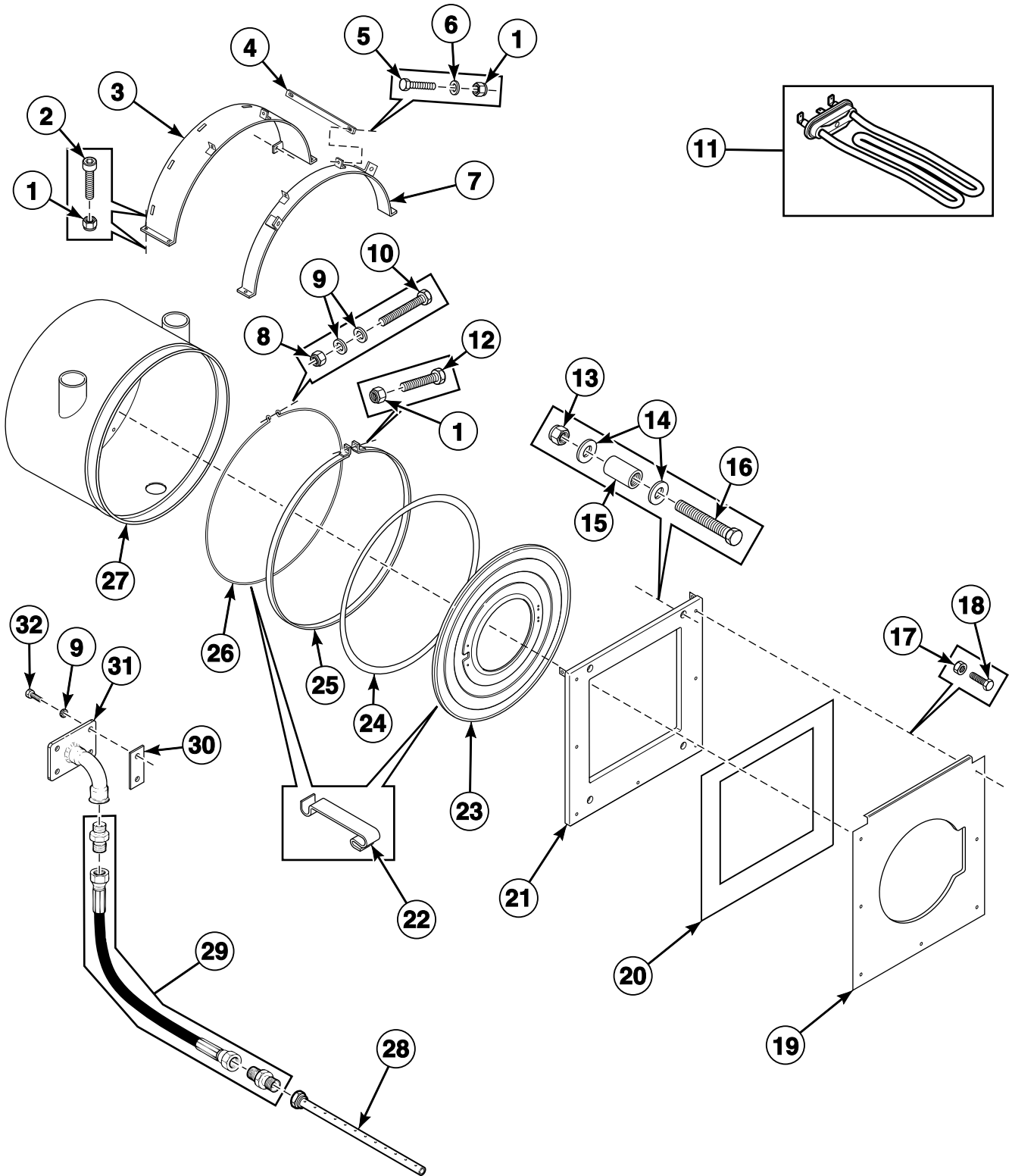


BE100018P_D0248

Door Handle

REF	PART NO.	DESCRIPTION	COMMENTS
1	217/00013/02	Door Handle	
2	217/00013/03	Door Lock Spring	
3	217/00051/00	Door Handle	
4	217/00013/09	Door Mounting Pin	
5	217/00013/11	Door Circlip	
6	217/00013/12	Door Handle	
7	217/00013/13	Door Handle Hook	
8	217/00013/15	Door Handle Locking Pin	
9	217/00013/14	Door Handle Spring	
10	217/00013/16	Door Handle Assembly Plate	
11	217/00051/10	Door Handle	
12	217/00013/08	Door Locking Pin	
13	217/00013/07	Door Locking Grip	
14	217/00013/06	Door Roller	
15	217/00013/05	Door Axle Roller	
16	217/00013/04	Door Handle Latch	

Shell

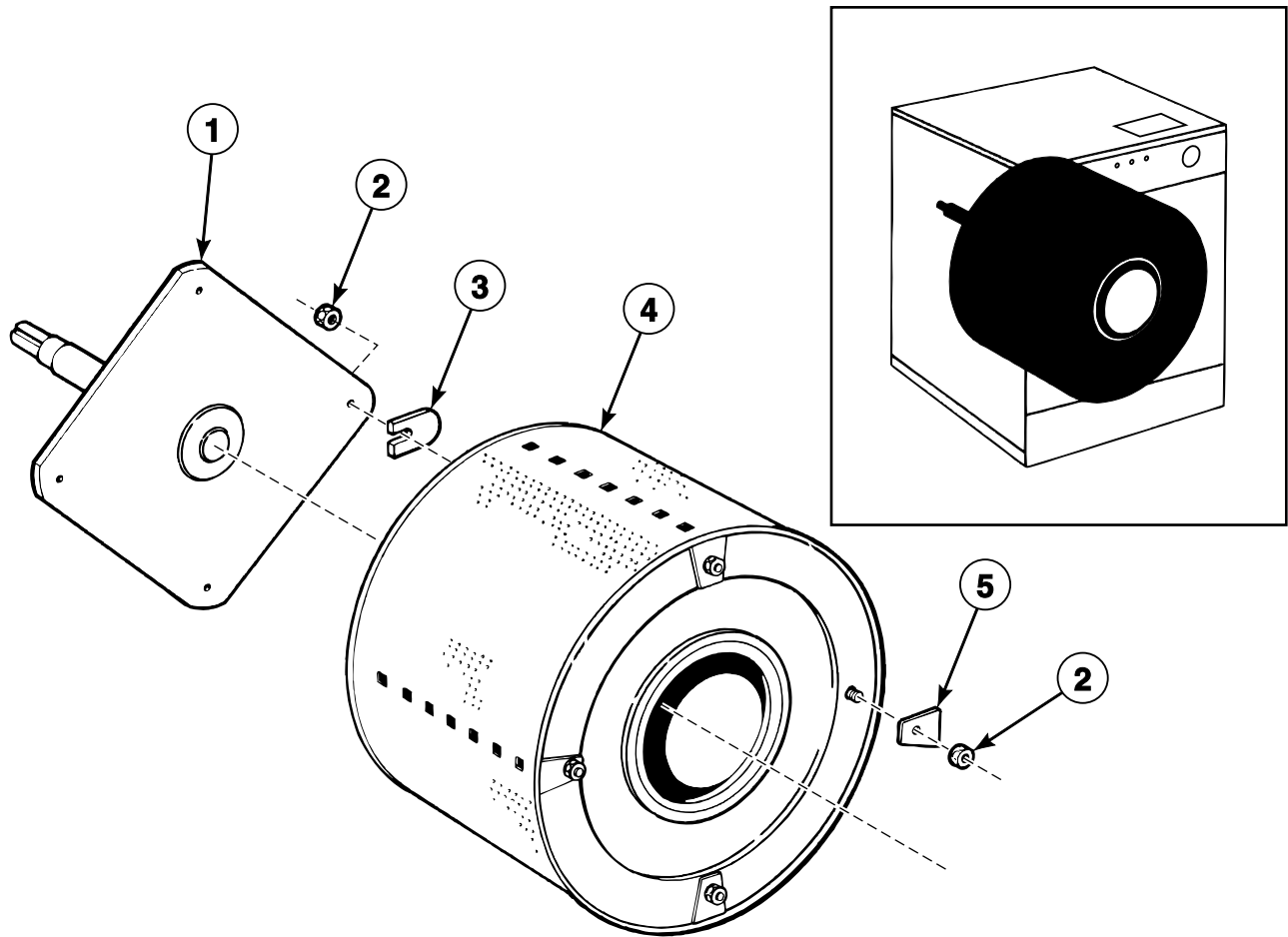


BE100019P_D0248

Shell

REF	PART NO.	DESCRIPTION	COMMENTS
1	204/00110/00	Nut	
2	206/00111/00	Screw	
3	115/00123/00	Tub Mounting Ring	
4	115/00127/00	Ring	
5	206/00005/00	Bolt	
6	202/00001/00	Washer	
7	115/00163/00	Tub Tightening Ring	
8	204/00005/00	Nut	
9	202/00003/00	Washer	
10	206/00011/00	Bolt	
11	209/00116/00	Heating Element	1400W; 220 Volt
	209/00563/30	Heating Element	2000W; 220/240 Volt
	209/00049/00	Heating Element	3000W; 220/240 Volt
	209/00581/00	Heating Element	4000W; 380 Volt
12	206/00066/00	Bolt	
13	204/00113/00	Nut	
14	201/00001/00	Washer	
15	115/00151/00	Spacer	
16	248/00115/00	Bolt	
17	202/00101/00	Washer	
18	205/00103/00	Bolt	
19	111/32945/00	Door Front Panel	
20	115/00136/00	Counterweight	
21	246/00092/00	Gasket	
22	217/00008/00	Tub Front Panel Clip	
23	131/00002/00	Front Panel	
24	231/00001/00	Tub Front Gasket	
25	131/00005/02	Clip	
26	231/00010/00	Tub Front Ring Clamp	
27	119/00204/00	Tub	
	119/00206/00	Tub	
	119/00207/00	Tub	
28	118/00087/00	Steam Injector	
29	217/00025/00	Steam Hose	
30	118/00063/01	Steam Connection Plate	
31	118/00063/00	Steam Hose Connector	
32	206/00013/00	Bolt	

Basket

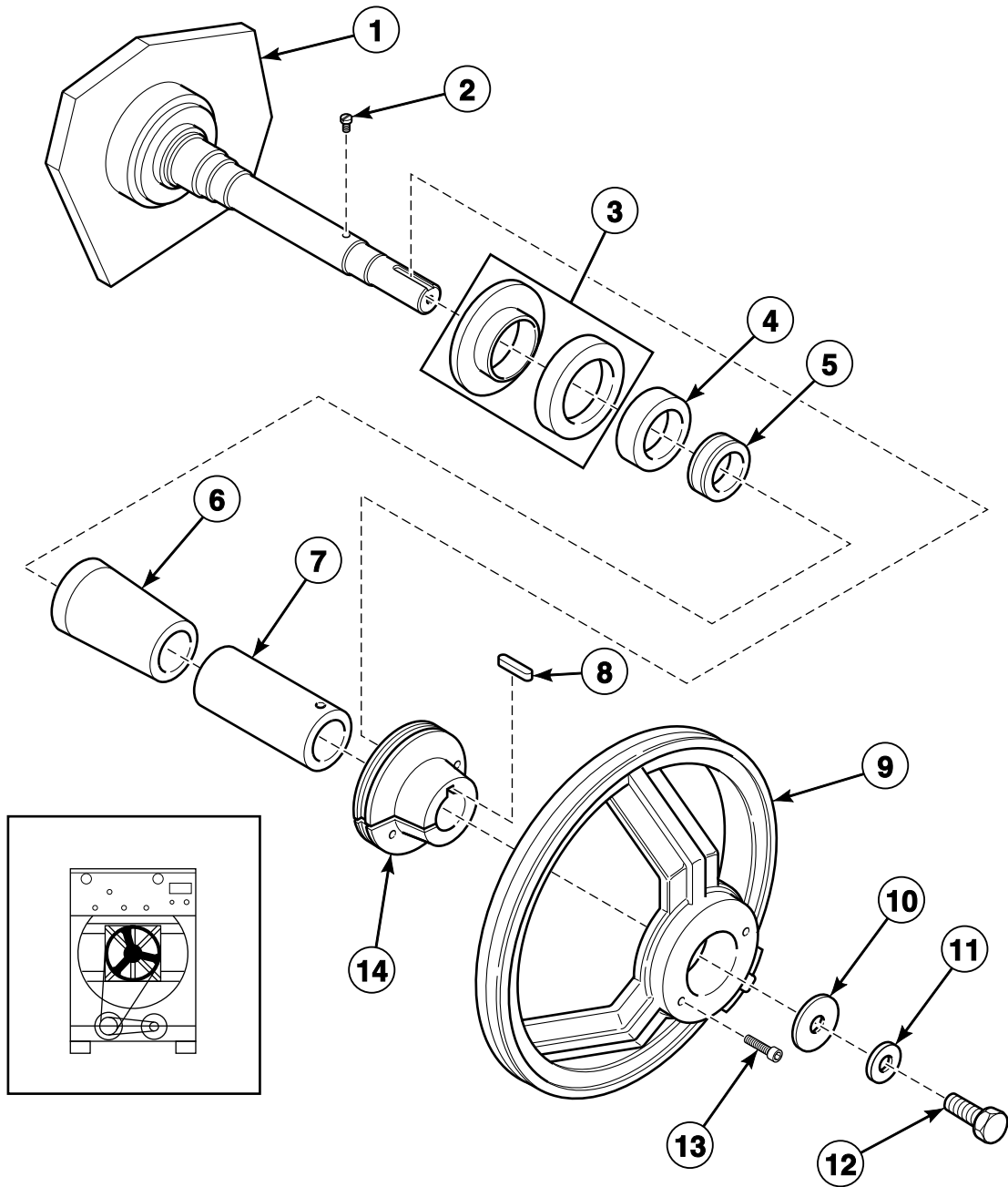


BE100020P_D0248

Basket

REF	PART NO.	DESCRIPTION	COMMENTS
1	239/00005/01W	Pipe Clip	
2	204/00108/00	Nut	
3	132/00020/00	Washer	
4	119/00079/99	Cylinder	
	123/00007/00	Cylinder and Axle	Includes axle
5	132/00003/00	Stiffening Plate	

Basket and Pulley

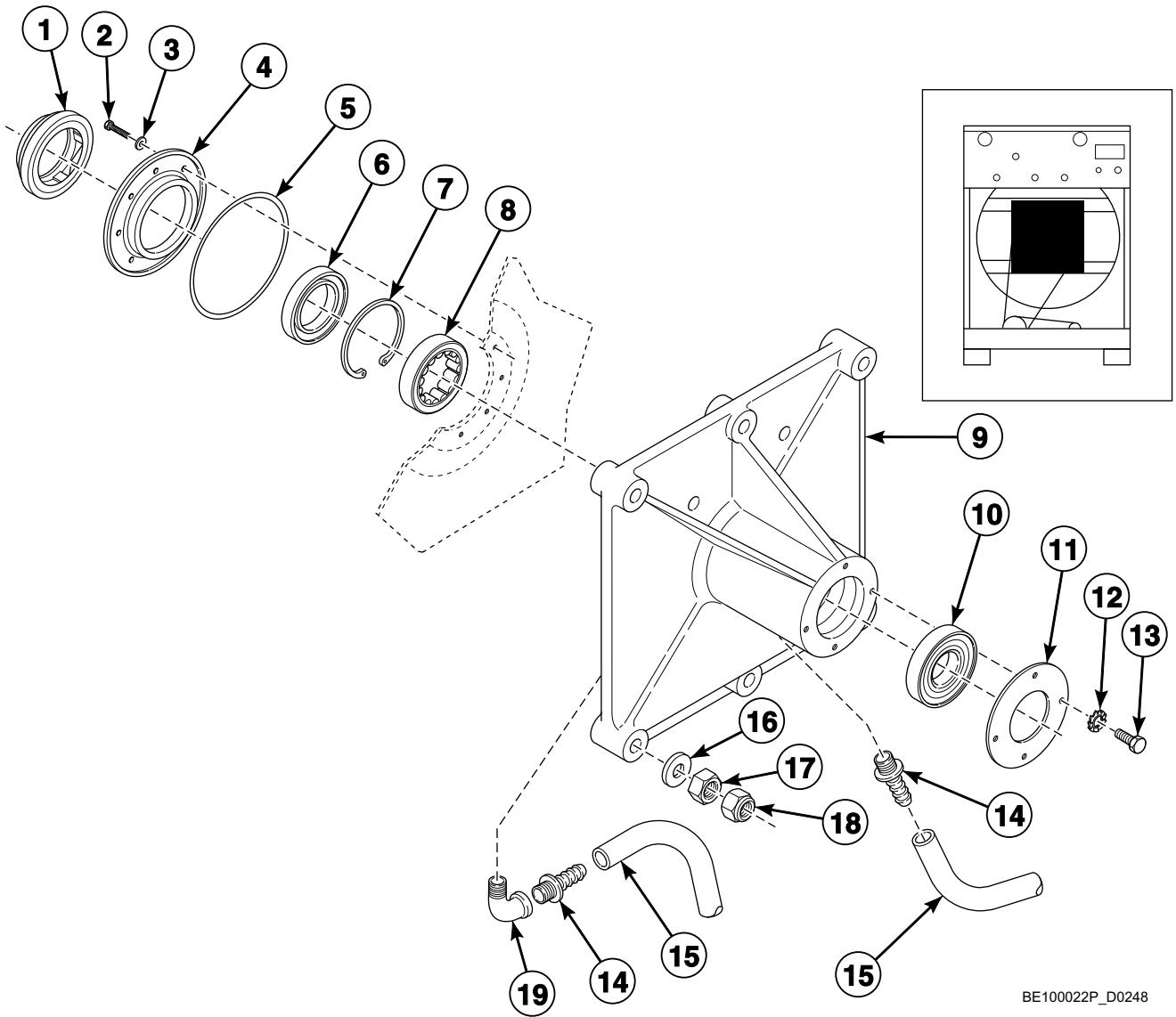


BE100021P_D0248

Basket and Pulley

REF	PART NO.	DESCRIPTION	COMMENTS
1	239/00005/01W	Pipe Clip	
2	207/00110/00	Screw	
3	232/00008/00	Counter Ring	
4	132/00009/00	Shaft Seal	
5	212/00005/00	Roller Bearing	
6	132/00010/00	Pipe	
7	132/00011/00	Pipe	
8	212/00026/00	Key	
9	226/00090/01	Pulley	
10	201/00011/00	Washer	
11	203/00001/00	Washer	
12	206/00004/00	Bolt	
13	212/00009/02	Bolt	
14	212/00009/01	Pulley Hub	

Bearing Housing (Drawing 1 of 2)

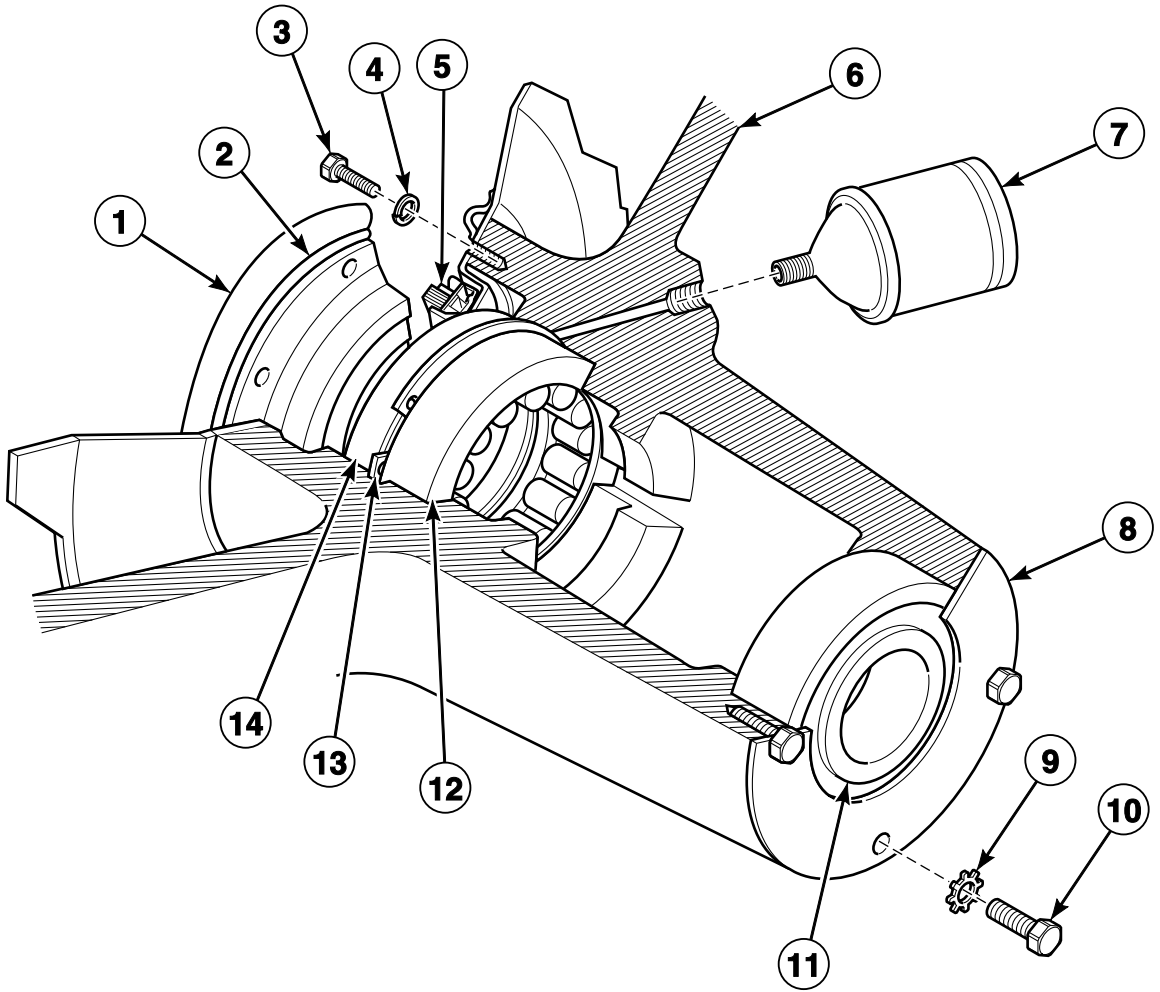


BE100022P_D0248

Bearing Housing (Drawing 1 of 2)

REF	PART NO.	DESCRIPTION	COMMENTS
1	231/00037/00	Shaft Seal	
2	205/00104/00	Bolt	
3	201/00202/00	Washer	
4	131/00035/00	Seal Cover Plate	
5	131/00036/00	O-Ring	
6	212/00007/00	Grease Ring	
7	212/00006/00	Retainer Ring	
8	212/00005/00	Roller Bearing	
9	212/00001/01	Bearing Housing Assembly	
10	212/00004/00	Ball Bearing	
11	112/00003/00	Bearing Cover	
12	203/00003/00	Washer	
13	206/00010/00	Bolt	
14	212/00011/00	Connector	
15	212/00010/00	Grease Pipe	
16	201/00001/00	Washer	
17	204/00012/00	Nut	
18	204/00113/00	Nut	
19	212/00012/00	Elbow	

Bearing Housing (Drawing 2 of 2)

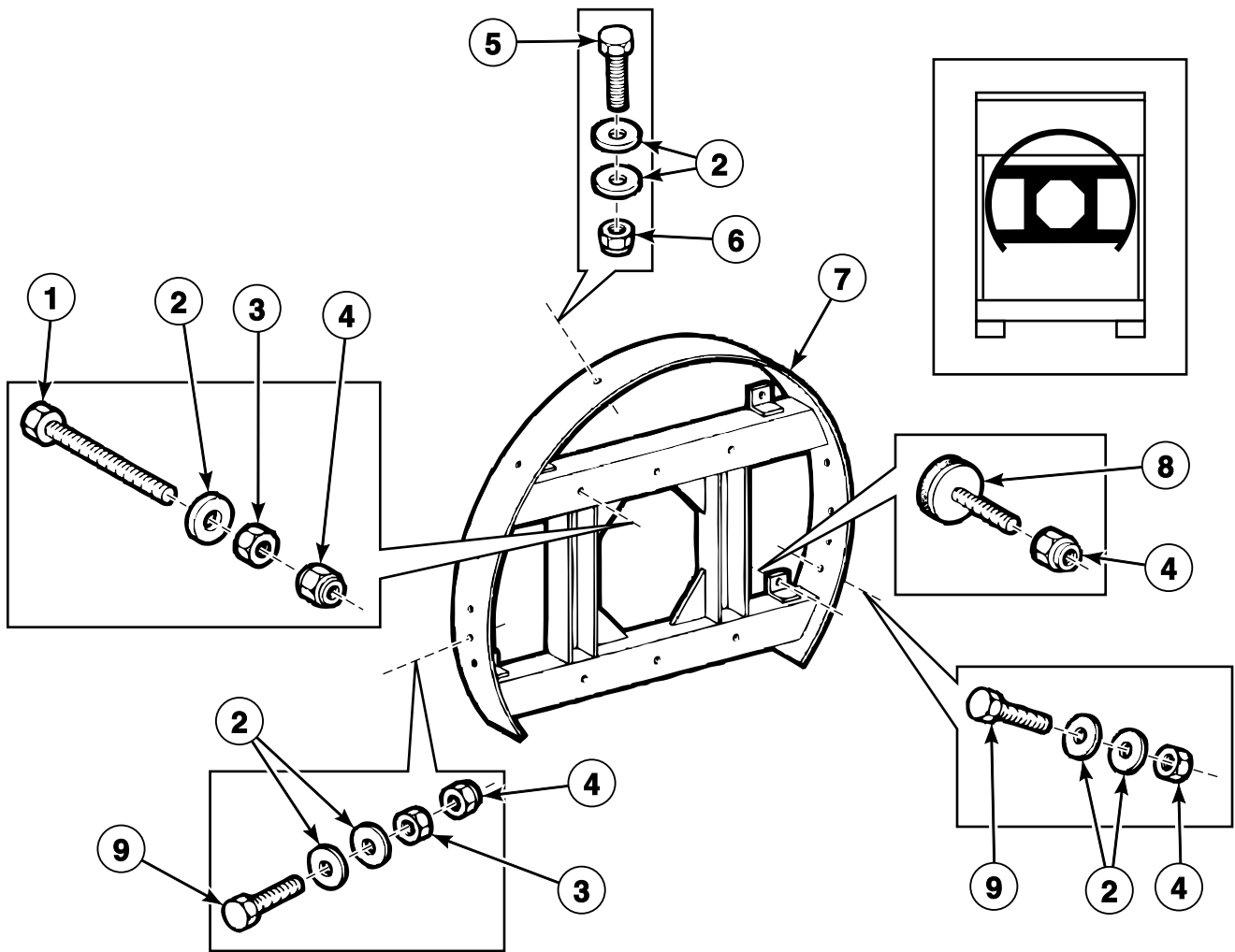


BE100023P_D0248

Bearing Housing (Drawing 2 of 2)

REF	PART NO.	DESCRIPTION	COMMENTS
1	131/00035/00	Seal Cover Plate	
2	231/00036/00	O-Ring	
3	205/00104/00	Bolt	
4	201/00202/00	Washer	
5	231/00037/00	Shaft Seal	
6	212/00001/01	Bearing Housing Assembly	
7	212/00002/00	Lubricator	
8	112/00003/00	Bearing Cover	
9	203/00003/00	Washer	
10	206/00010/00	Bolt	
11	212/00004/00	Ball Bearing	
12	212/00005/00	Roller Bearing	
13	212/00006/00	Retainer Ring	
14	212/00007/00	Grease Ring	

Bearing Housing Plate

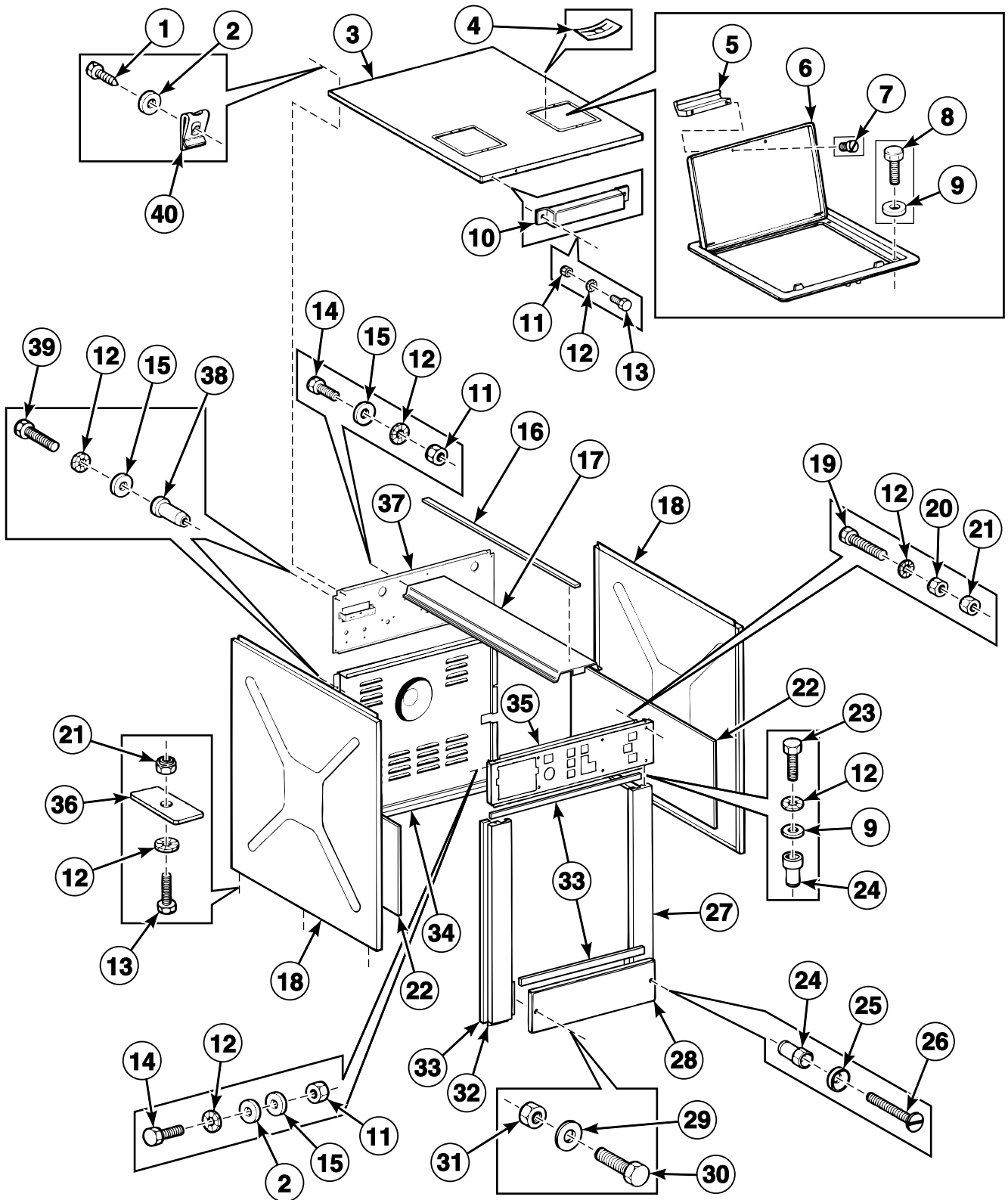


BE100024P_D0248

Bearing Housing Plate

REF	PART NO.	DESCRIPTION	COMMENTS
1	248/00115/00	Bolt	
2	201/00001/00	Washer	
3	204/00012/00	Nut	
4	204/00113/00	Nut	
5	206/00062/00	Bolt	
6	204/00112/00	Nut	
7	115/00122/00	Bearing Housing	
8	217/00050/00	Mounting Piece	
9	248/00114/00	Bolt	

Panels

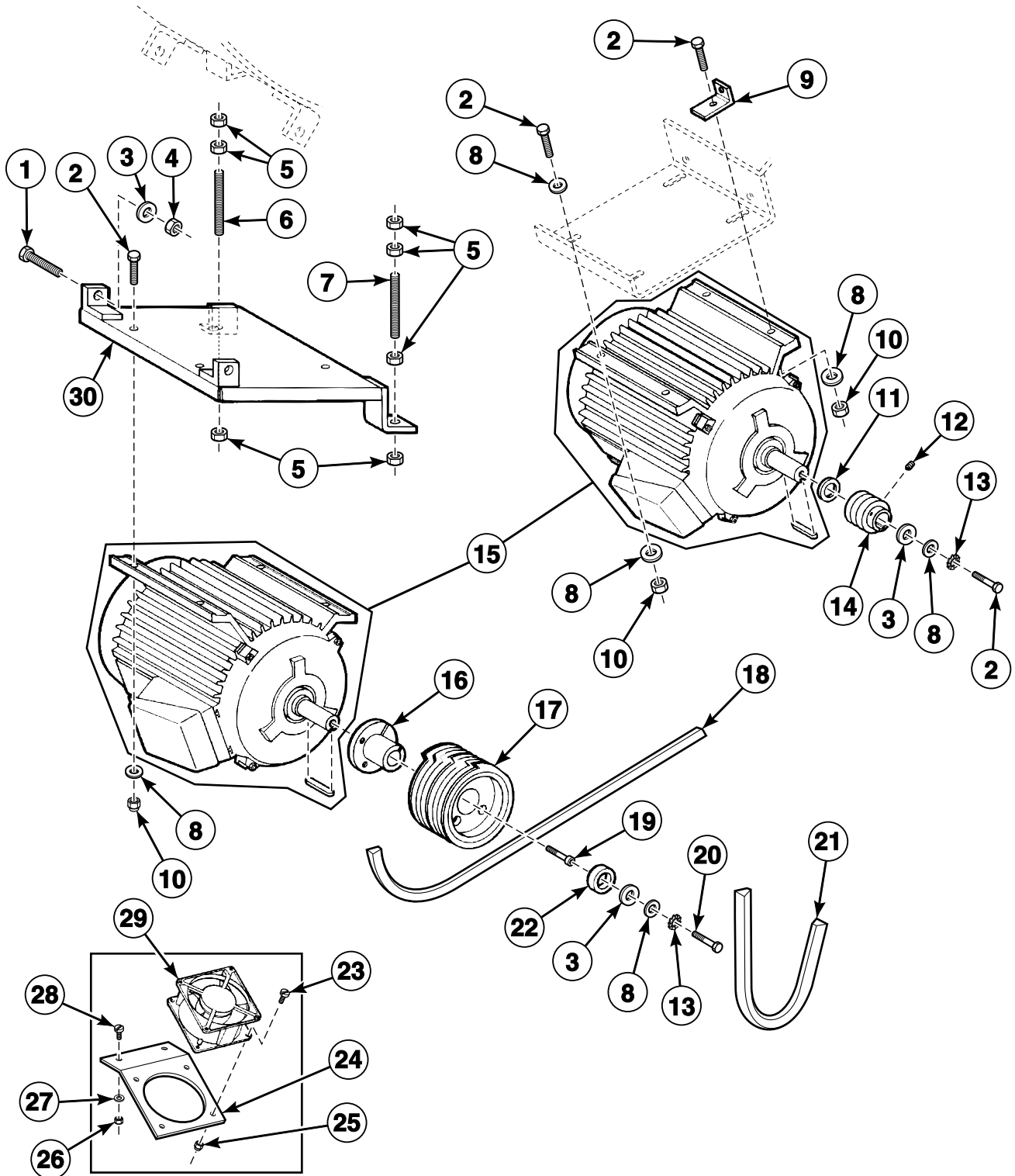


BE100025P_D0248

Panels

REF	PART NO.	DESCRIPTION	COMMENTS
1	208/00001/00	Screw	
2	201/00006/00	Washer	
3	111/32941/00	Top Panel	
4	208/00104/00	Nut	
5	223/00008/05	Soap Dispenser Cover Handle	
6	223/00103/01	Soap Dispenser Cover	
7	207/00110/00	Screw	
8	205/00108/00	Bolt	
9	202/00101/00	Washer	
10	111/00204/00	Guide	
11	204/00005/00	Nut	
12	203/00004/00	Washer	
13	205/00105/00	Bolt	
14	206/00014/00	Bolt	
15	201/00007/00	Washer	
16	111/32953/00	Electrical Components Plate	
17	246/00181/00	Rubber Strip	
18	133/00125/00	Side Panel	
19	205/00103/00	Bolt	
20	204/00106/00	Nut	
21	204/00009/00	Nut	
22	246/00079/00	Side Panel Gasket	
23	205/00104/00	Bolt	
24	204/00011/00	Nut	
25	208/00009/00	Washer	
26	207/00101/00	Screw	
27	111/32960/00	Right Front Panel	
28	111/32943/00	Kickplate	
29	201/00010/00	Washer	
30	206/00006/00	Bolt	
31	204/00110/00	Nut	
32	111/32948/00	Left Front Panel	
33	246/00149/00	Gasket	
34	111/00126/00	Back Panel	
35	111/32949/00	Front Panel	
36	101/00007/00	Outlet Pipe Plate Assembly	
37	133/00001/00	Backbridge	
38	204/00301/00	Bushing	
39	206/00013/00	Bolt	
40	208/00002/00	Nut	

Motor and Belt

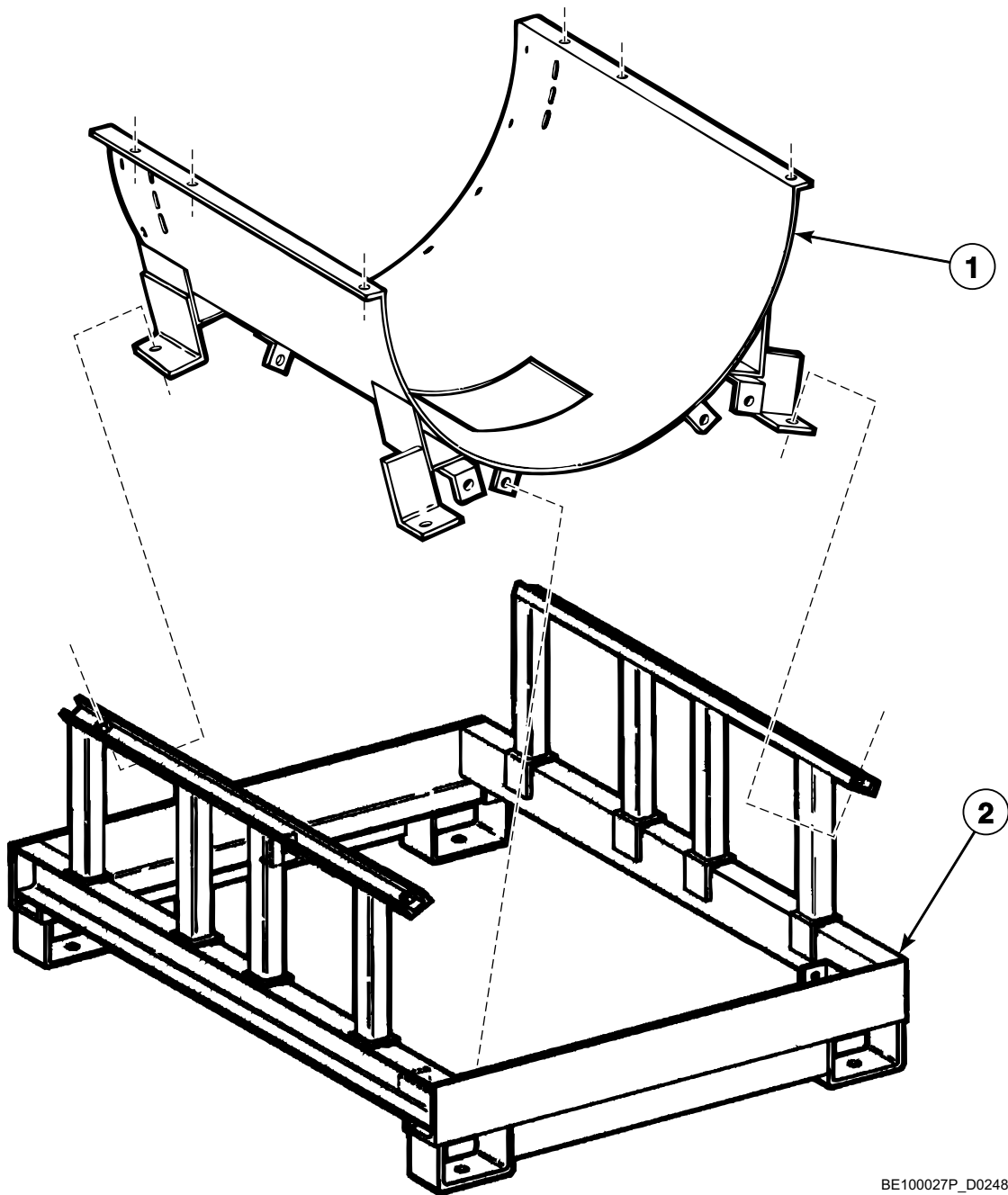


BE100026P_D0248

Motor and Belt

REF	PART NO.	DESCRIPTION	COMMENTS
1	248/00114/00	Bolt	
2	206/00003/00	Bolt	
3	201/00001/00	Washer	
4	204/00113/00	Nut	
5	204/00012/00	Nut	
6	115/00117/15	V-Belt Clip	
7	B12511601	Threaded Rod	
8	201/00004/00	Washer	
9	115/00117/12	Tub Support	
10	204/00111/00	Nut	
11	211/00114/00	Washer	
12	206/00056/00	Screw	
13	203/00001/00	Washer	
14	226/00092/00	Pulley	
15	227/00107/00	Motor	
	227/00113/00	Motor	
16	212/00016/01	Pulley Hub	
17	226/00091/03	Pipe Clip	
18	226/00089/00	V-Belt	
19	212/00016/02	Screw	
20	206/00004/00	Bolt	
21	226/00088/00	V-Belt	
22	226/00069/00	Safety Ring	
23	207/00008/00	Screw	
24	114/00026/00	Screw	
25	204/00114/00	Nut	
26	204/00004/00	Nut	
27	203/00003/00	Washer	
28	206/00010/00	Bolt	
29	209/00287/00	Cooling Fan	
30	115/00157/00	Motor Plate	

Frame

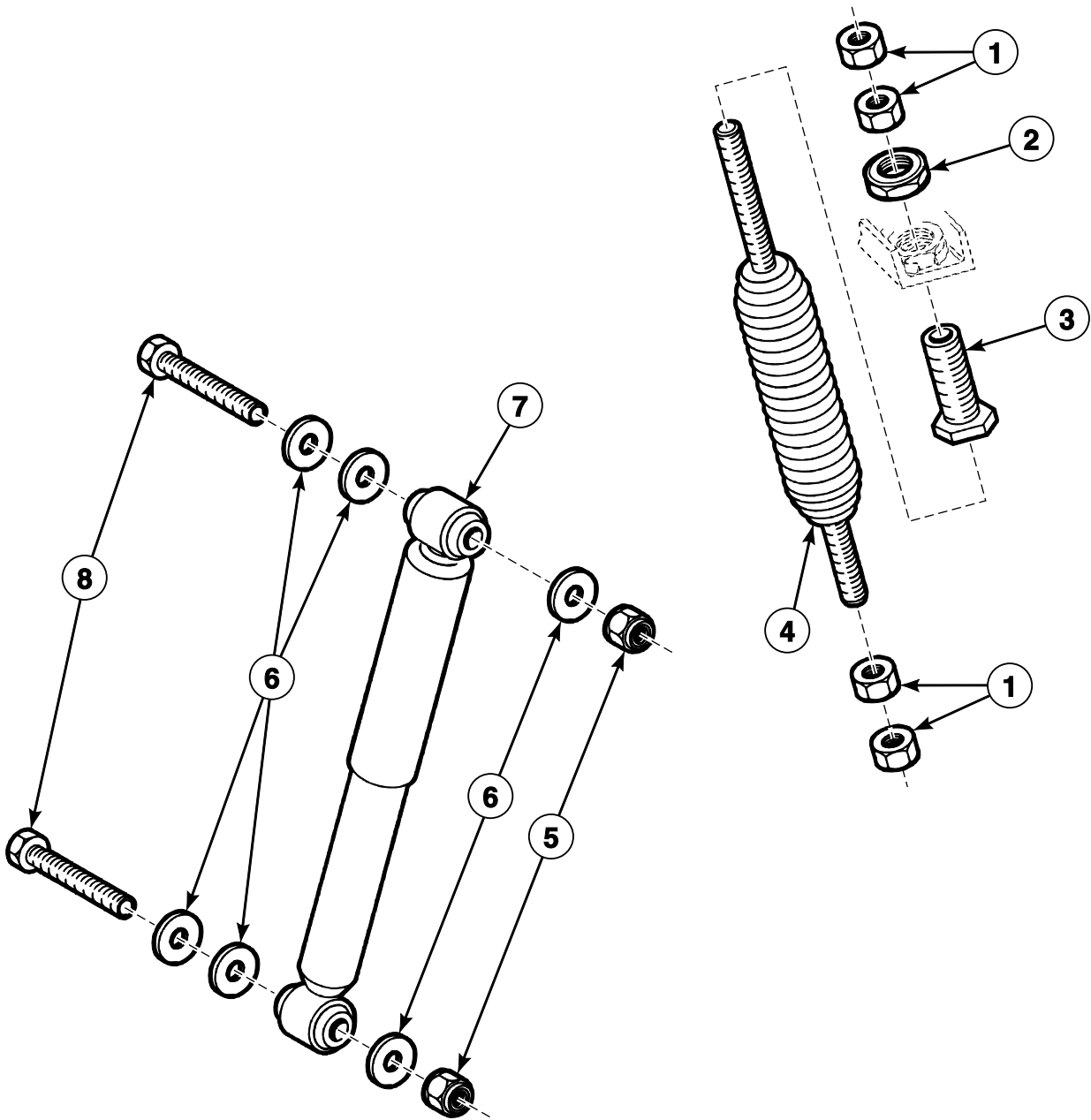


BE100027P_D0248

Frame

REF	PART NO.	DESCRIPTION	COMMENTS
1	115/00117/00	Tub Support	
2	114/00017/00	Frame	

Shock Absorber

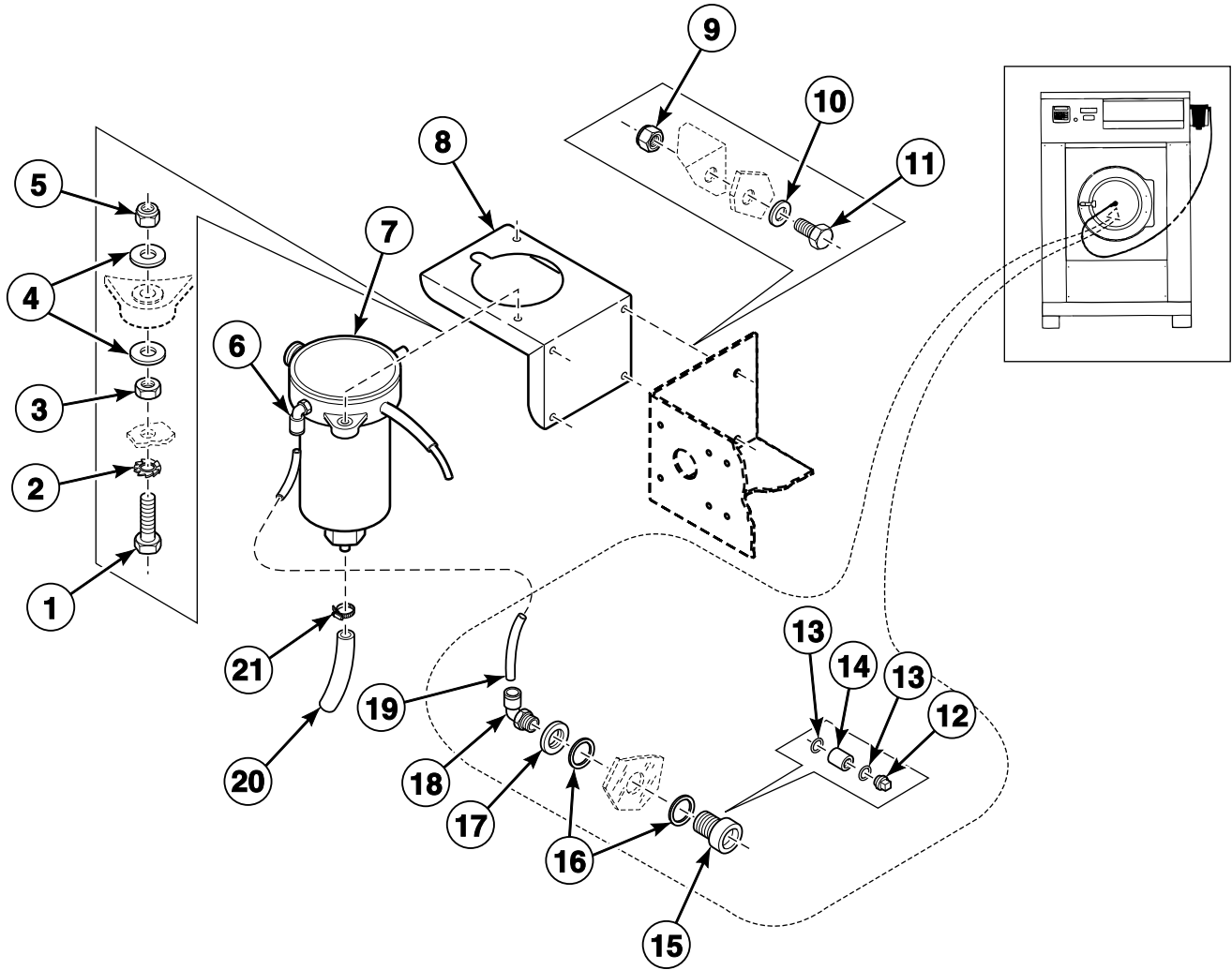


BE100028P_D0248

Shock Absorber

REF	PART NO.	DESCRIPTION	COMMENTS
1	204/00012/00	Nut	
2	204/00016/00	Nut	
3	224/00046/00	Bolt	
4	224/00044/00	Suspension Spring	
5	204/00112/00	Nut	
6	201/00012/00	Washer	
7	B12440101	Suspension Spring	
8	206/00045/00	Bolt	

Liquid Supply Pump



BE000068P_D0248

Liquid Supply Pump

REF	PART NO.	DESCRIPTION	COMMENTS
1	205/00103/00	Bolt	
2	203/00004/00	Washer	
3	204/00106/00	Nut	
4	202/00101/00	Washer	
5	204/00009/00	Nut	
6	223/00181/00	Soap Injector Elbow Coupling	
7	209/00369/00	Liquid Soap Spray Pump	
8	111/10179/00	Spray Pump Mounting Plate	
9	204/00009/00	Nut	
10	201/00007/00	Washer	
11	205/00107/00	Bolt	
12	223/00178/00	Soap Injector Orifice	
13	223/00177/00	O-Ring	
14	211/00126/00	Soap Injector Orifice Nipple	
15	211/00127/00	Soap Injector Connector	
16	223/00176/00	O-Ring	
17	211/10106/00	Nut	
18	223/00182/00	Soap Injector Coupling	
19	223/00180/00	Soap Injector Hose	
20	223/00179/10	Pressure Hose	
21	211/00088/00	Cable Tie	