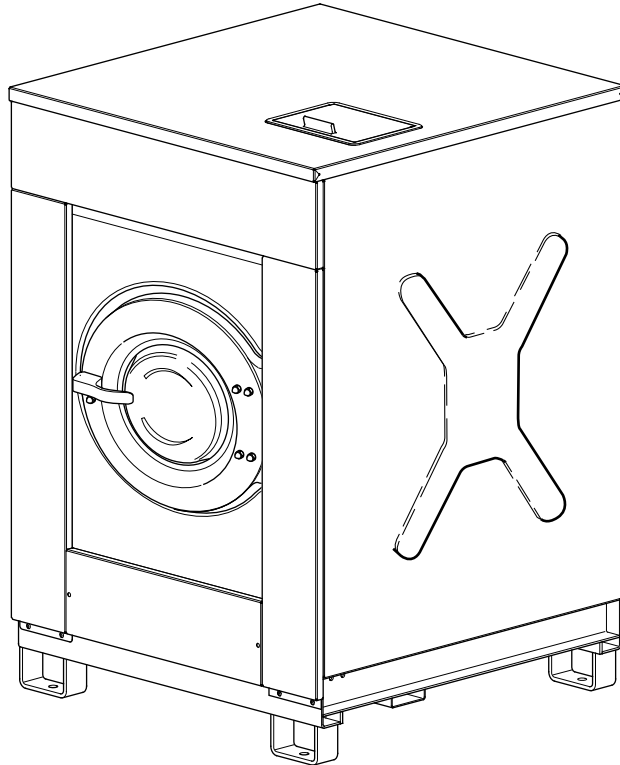


Washer-Extractor

Cabinet Freestanding
Refer to Page 5 for Model Numbers



CFD22C_D0246

Model Identification

Information in this manual is applicable to these washer-extractor models:



HF110_CAM-TIMER
HF110_MICRO-20_COIN
HF110_MICRO-20_OPL
HF110_PC30

HF132_CAM-TIMER
HF132_MICRO-20_COIN
HF132_MICRO-20_OPL
HF132_PC30

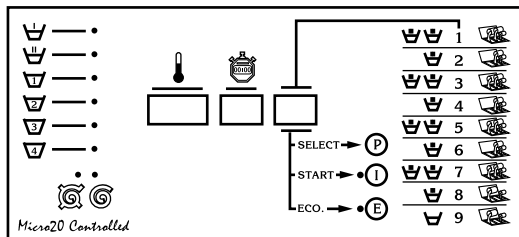
HF165_CAM-TIMER
HF165_MICRO-20_COIN
HF165_MICRO-20_OPL
HF165_PC30

Cabinet Freestanding Washer-Extractor Product Overview

1 2

Type:	HF165P	Nr:	07110580147
Voltage:	3 ~ 380V 50Hz	Weight:	1787 kg
Motor:	7.5 kW 20 A	Capacity:	575 L
Heating:	36 kW 60 A	Dry Load:	57 kg
Total:	43.50 kW	Drum:	980 mm
Kinetic energy:	23257N/M	Speed:	800 rpm
Manufactured in:	2007		
Water Pressure: min. 2.07 max. 5.86 Kg/cm ²		IPX4	
min. 20.7 max. 58.6 N/cm ²			
sfc 741295			
 IPSO			
Alliance International BVBA Nieuwstraat 146 8560 Wevelgem Belgium Tel: +32 56 41 20 54 Fax: +32 56 41 86 74 www.ipso.be			

Label 1



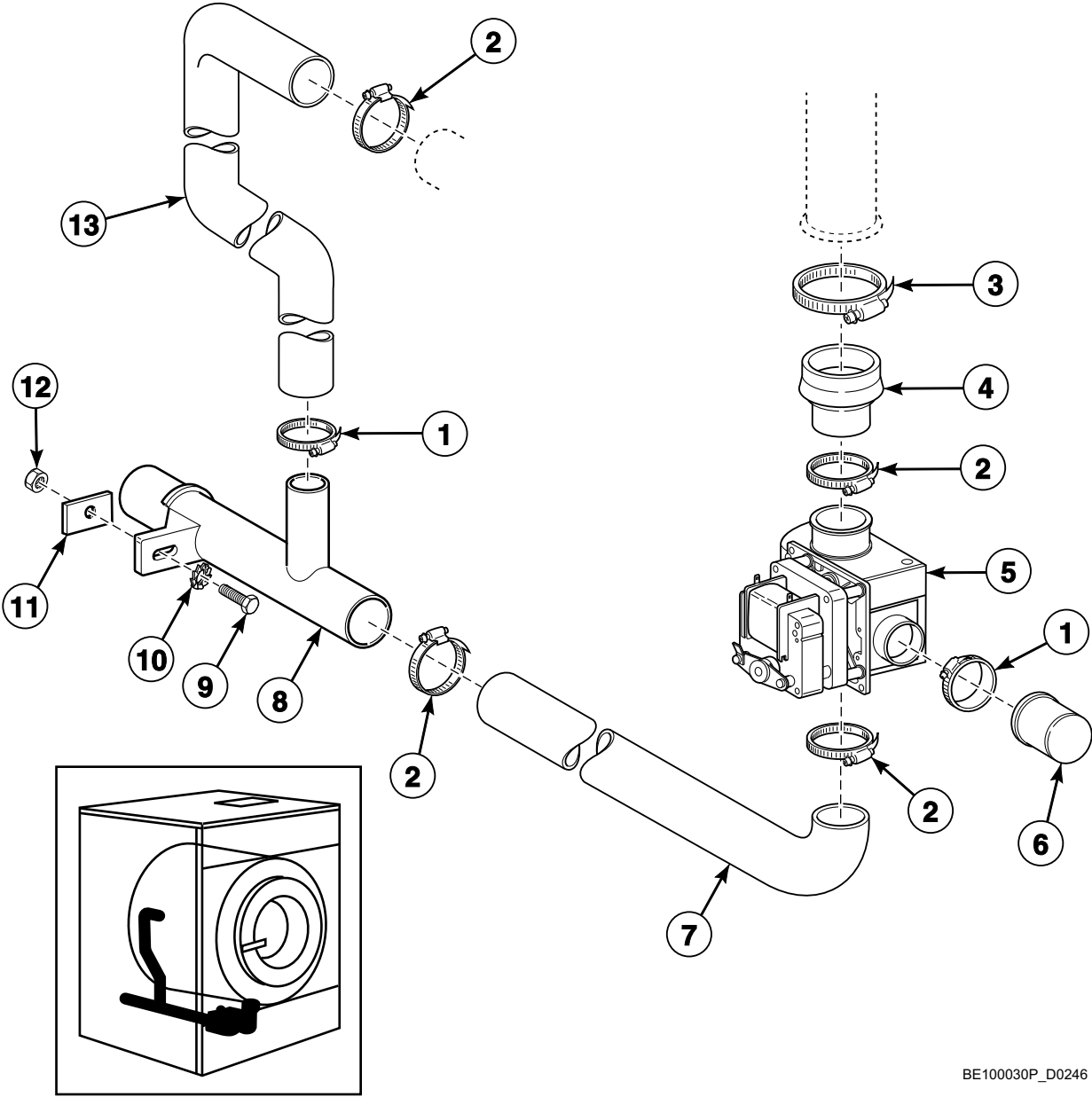
Micro 20

CFD307P_D0246

Cabinet Freestanding Washer-Extractor Product Overview

REF	PART NO.	DESCRIPTION	COMMENTS
1	-	Product Family	HF
2	-	Capacity	100 132 165

Drain Plumbing with MDP100 Drain Valve

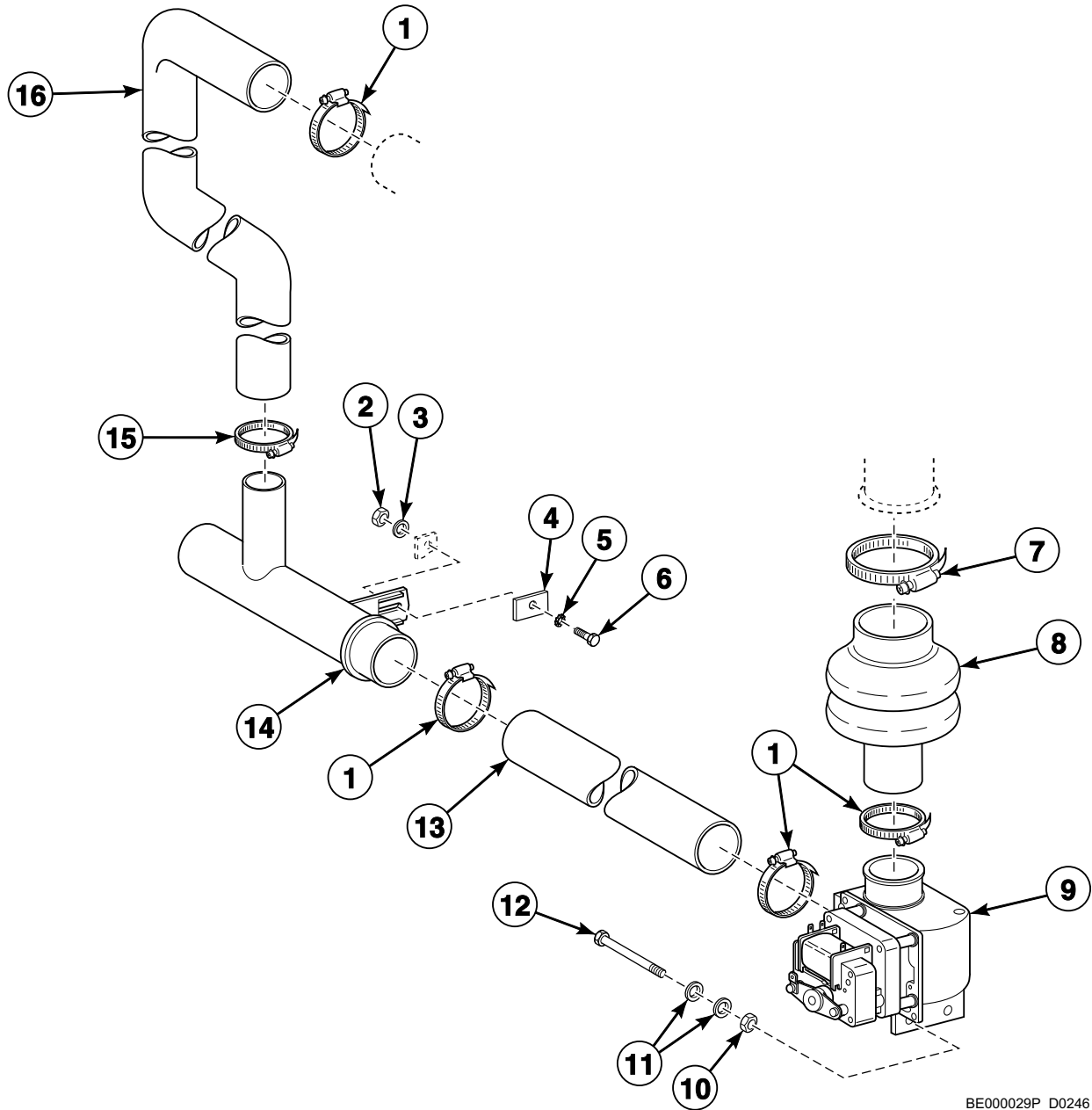


BE100030P_D0246

Drain Plumbing with MDP100 Drain Valve

REF	PART NO.	DESCRIPTION	COMMENTS
1	223/00012/00	Hose Clamp	
2	223/00013/00	Hose Clamp	
3	223/00014/00	Hose Clamp	
4	223/00116/00	Tub Drain Exhaust Valve	
5	209/00203/00	Drain Valve	24 Volt/50 Hertz; NO
	209/00051/00	Drain Valve	240 Volt/50 or 60 Hertz; NO
	209/00115/00	Drain Valve	240 Volt/50 or 60 Hertz; NC
	209/00052/00	Drain Valve	115 Volt/50 or 60 Hertz; NO
6	223/00086/00	Drain Valve Overflow Plug	
7	223/00117/00	Exhaust Valve Hose	
8	223/00105/00	Drain Pipe	
9	206/00014/00	Bolt	
10	203/00004/00	Washer	
11	101/00007/00	Outlet Pipe Plate Assembly	
12	204/00005/00	Nut	
13	223/00084/00	Overflow Pipe	

Drain Plumbing with MDP90 Drain Valve

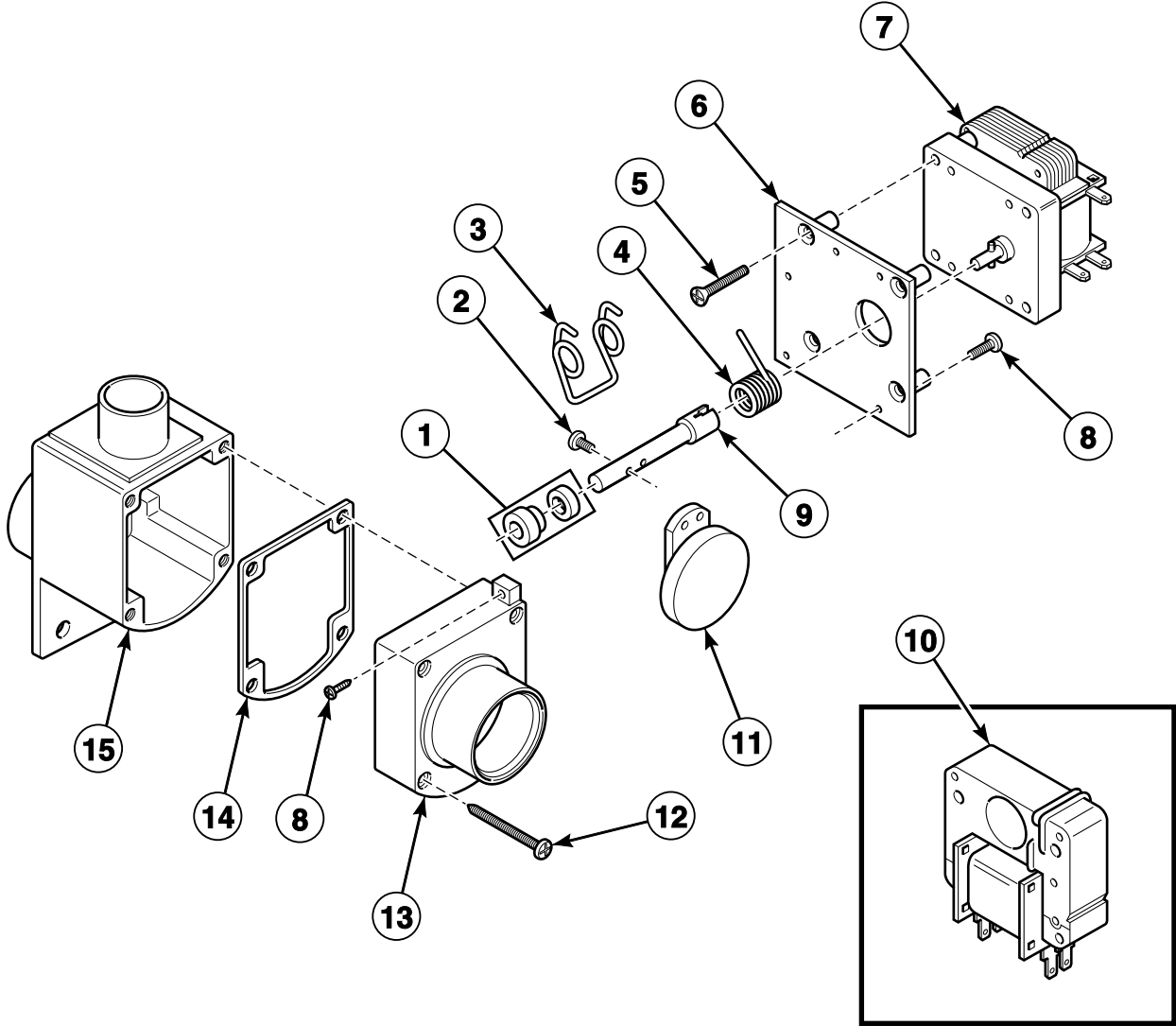


BE000029P_D0246

Drain Plumbing with MDP90 Drain Valve

REF	PART NO.	DESCRIPTION	COMMENTS
1	223/00013/00	Hose Clamp	
2	204/00005/00	Nut	
3	202/00003/00	Washer	
4	101/00007/00	Outlet Pipe Plate Assembly	
5	203/00004/00	Washer	
6	206/00014/00	Bolt	
7	223/00014/00	Hose Clamp	
8	223/00129/00	Tub Drain Valve	
9	209/00256/00	Drain Valve	NO
	209/00292/00	Exhaust Valve	NC
10	204/00109/00	Nut	
11	202/00002/00	Washer	
12	206/00068/00	Bolt	
13	223/00139/00	Drain Hose	*110 and *132 models
	223/00140/00	Drain Hose	*165 models
14	223/00105/00	Drain Pipe	
15	223/00012/00	Hose Clamp	
16	223/00084/00	Overflow Pipe	

Drain Valve - 2-Inch with Lid

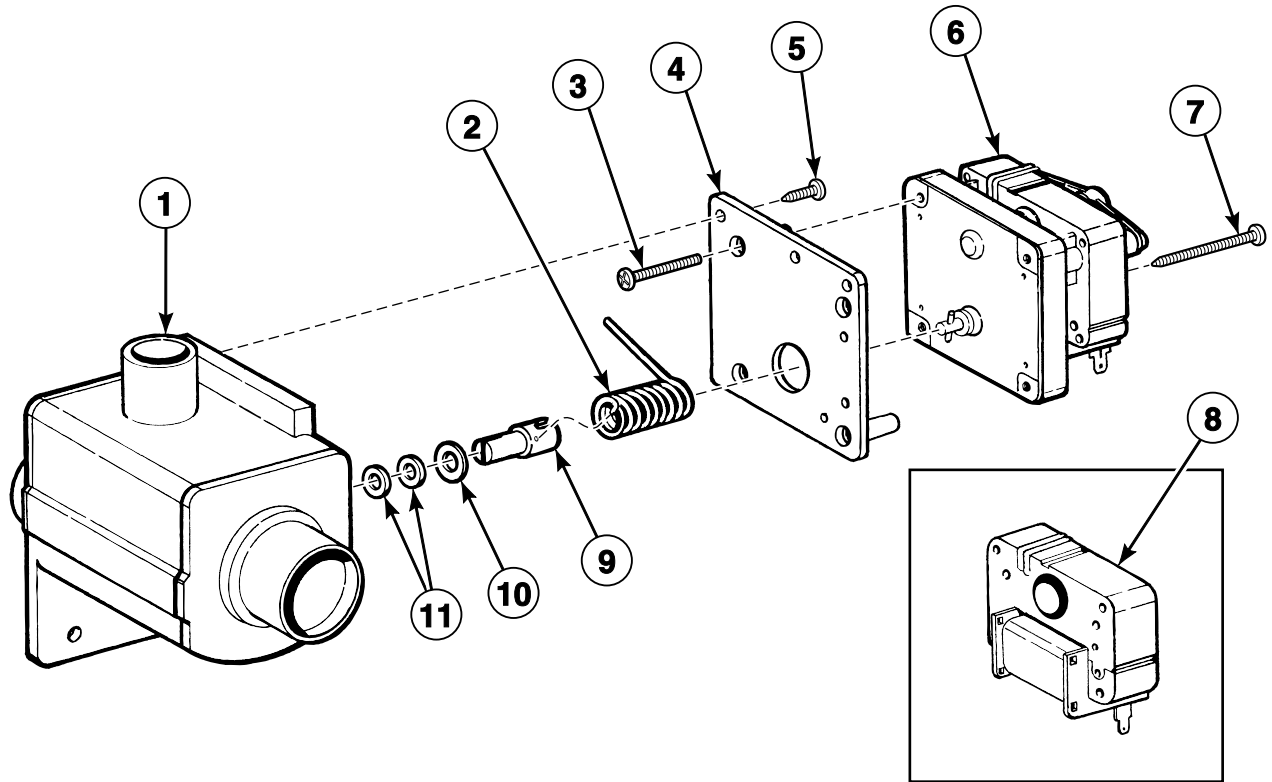


BE100031P_D0246

Drain Valve - 2-Inch with Lid

REF	PART NO.	DESCRIPTION	COMMENTS
1	209/00025/10	Drain Valve Shaft Seal	
2	209/00025/09	Screw	
3	209/00025/03	Drain Valve Spring	
4	209/00025/13	Drain Valve Spring	
5	209/00025/08	Screw	
6	209/00025/07	Drain Valve Motor Mounting Plate	
7	209/00203/11	Drain Valve Motor	24 Volt
	209/00052/11	Drain Valve Motor	110 Volt/60 Hertz
	209/00051/11	Drain Valve Motor	220 Volt/50 or 60 Hertz
8	209/00025/04	Screw	
9	209/00025/15	Valve Axle	
10	209/00203/21	Coil	24 Volt
	209/00052/21	Coil	115 Volt/60 Hertz
	209/00051/21	Coil	220 Volt/50 or 60 Hertz
11	209/00025/16	Sealing Plate Assembly	
12	209/00025/06	Screw	
13	209/00025/05	Valve Housing	
14	209/00025/02	Drain Housing Gasket	
15	209/00025/01	Exhaust Valve Housing	

Drain Valve - MDP100 Normally Open

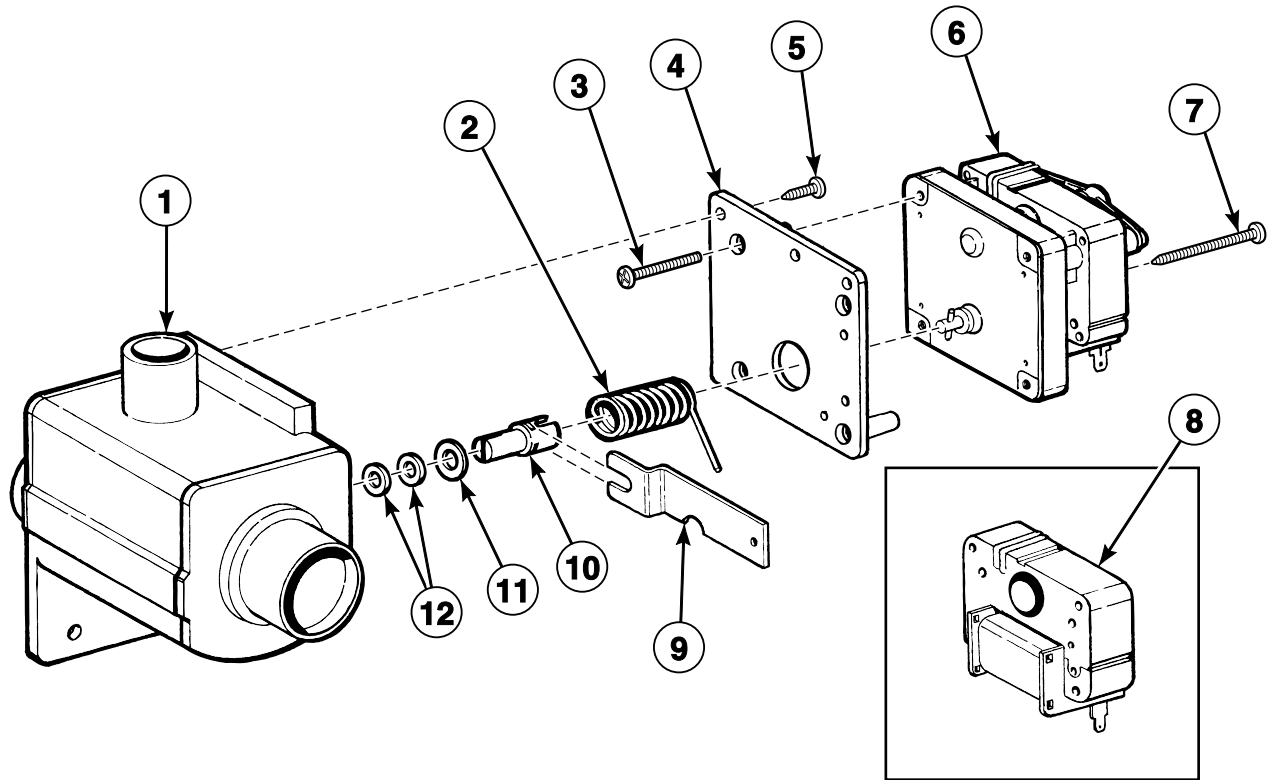


BE100032P_D0246

Drain Valve - MDP100 Normally Open

REF	PART NO.	DESCRIPTION	COMMENTS
1	209/00170/01	Exhaust Valve	
2	209/00170/02	Drain Valve Spring	
3	209/00025/08	Screw	
4	209/00170/04	Motor Mounting Plate	
5	209/00170/05	Screw	
6	209/00203/12	Drain Valve Motor	24 Volt
	209/00052/12	Drain Valve Motor	110 Volt/60 Hertz
	209/00170/06	Drain Valve Motor Assembly	220 Volt/50 or 60 Hertz
7	209/00170/07	Screw	
8	209/00203/21	Coil	24 Volt
	209/00052/21	Coil	115 Volt/60 Hertz
	209/00051/21	Coil	220 Volt/50 or 60 Hertz
9	209/00170/10	Drain Valve Shaft	
10	209/00025/12	Washer	
11	209/00025/10	Drain Valve Shaft Seal	

Drain Valve - MDP100 Normally Closed

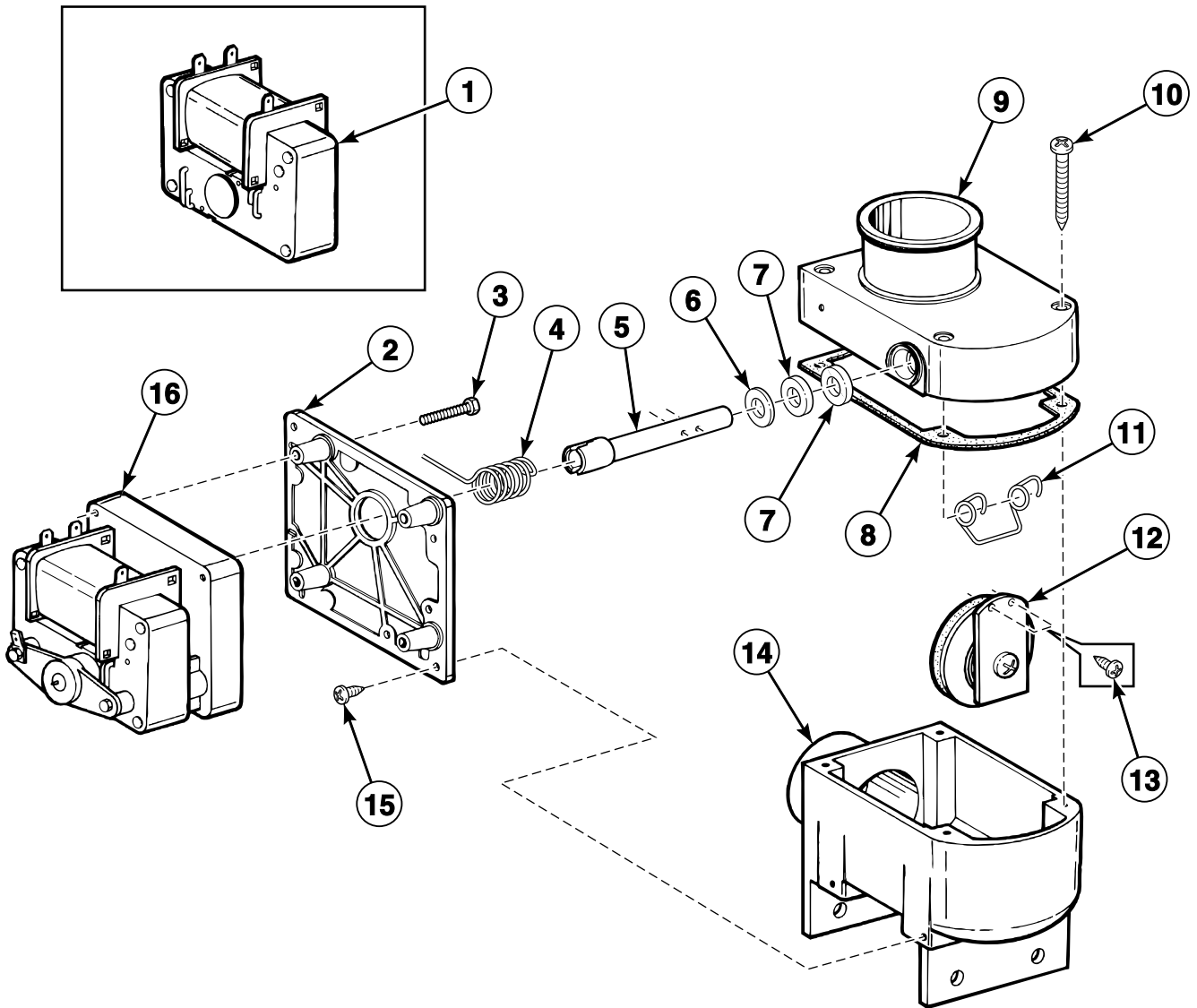


BE100033P_D0246

Drain Valve - MDP100 Normally Closed

REF	PART NO.	DESCRIPTION	COMMENTS
1	209/00170/01	Exhaust Valve	
2	209/00025/13	Drain Valve Spring	
3	209/00025/08	Screw	
4	209/00115/04	Drain Valve Motor Mounting Plate	
5	209/00170/05	Screw	
6	209/00203/11	Drain Valve Motor	24 Volt
	209/00052/11	Drain Valve Motor	110 Volt/60 Hertz
	209/00051/11	Drain Valve Motor	220 Volt/50 or 60 Hertz
7	209/00170/07	Screw	
8	209/00203/21	Coil	24 Volt
	209/00052/21	Coil	115 Volt/60 Hertz
	209/00051/21	Coil	220 Volt/50 or 60 Hertz
9	209/00115/11	Drain Valve Handle	
10	209/00170/10	Drain Valve Shaft	
11	209/00025/12	Washer	
12	209/00025/10	Drain Valve Shaft Seal	

Drain Valve - MDP90 Normally Open

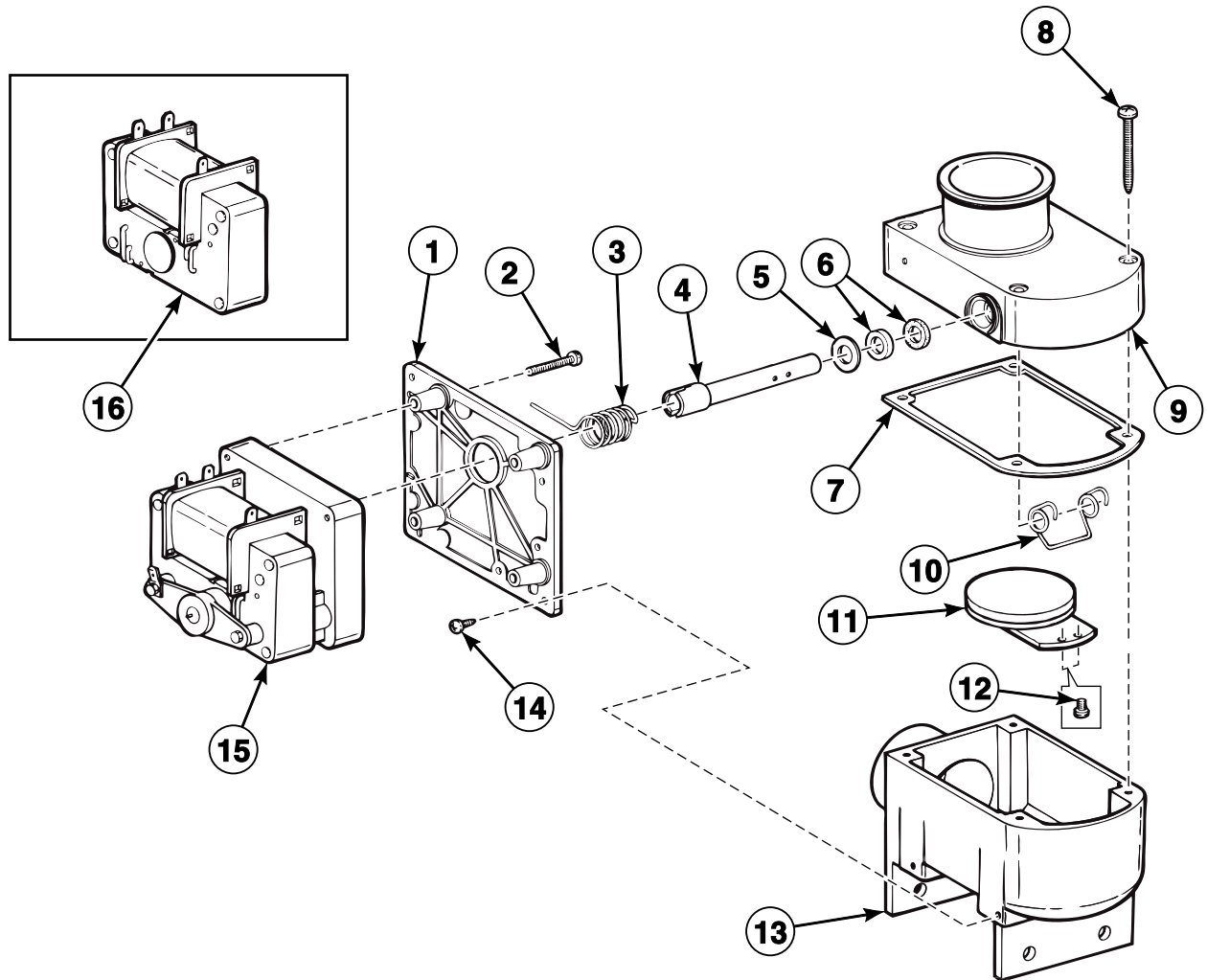


BE000030AP_D0246

Drain Valve - MDP90 Normally Open

REF	PART NO.	DESCRIPTION	COMMENTS
1	209/00203/21	Coil	24 Volt
	209/00052/21	Coil	115 Volt/60 Hertz
	209/00051/21	Coil	220 Volt/50 or 60 Hertz
2	209/00025/07	Drain Valve Motor Mounting Plate	
3	209/00025/08	Screw	
4	209/00025/13	Drain Valve Spring	
5	209/00025/15	Valve Axle	
6	209/00025/12	Washer	
7	209/00025/10	Drain Valve Shaft Seal	
8	209/00025/02	Drain Housing Gasket	
9	209/00256/05	Valve	
10	209/00025/06	Screw	
11	209/00025/03	Drain Valve Spring	
12	209/00025/16	Sealing Plate Assembly	
13	209/00025/09	Screw	
14	209/00256/01	Valve	
15	209/00170/05	Screw	
16	209/00203/11	Drain Valve Motor	24 Volt
	209/00052/11	Drain Valve Motor	110 Volt/60 Hertz
	209/00051/11	Drain Valve Motor	220 Volt/50 or 60 Hertz

Drain Valve - MDP90 Normally Closed

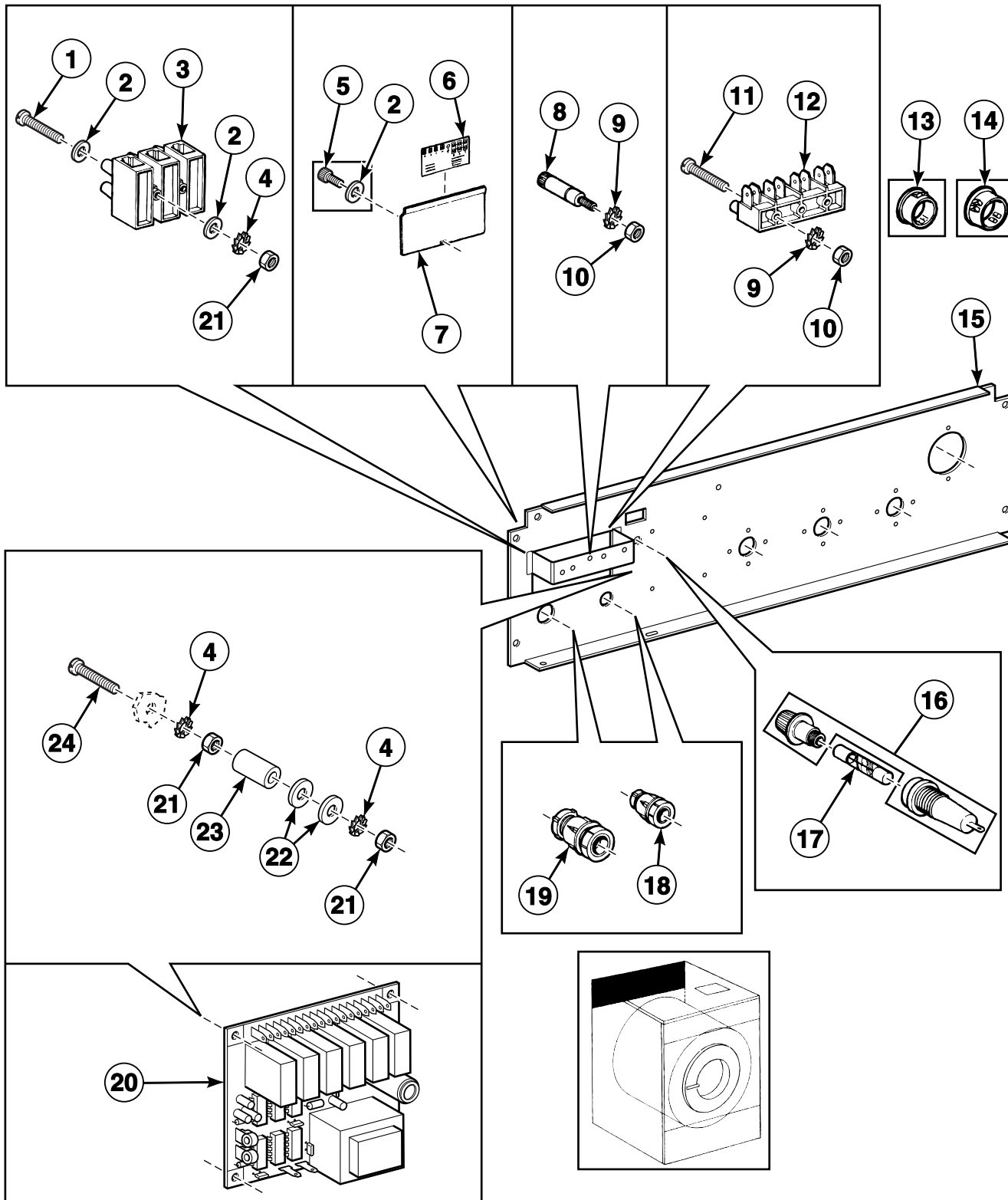


BE000031AP_D0246

Drain Valve - MDP90 Normally Closed

REF	PART NO.	DESCRIPTION	COMMENTS
1	209/00025/07	Drain Valve Motor Mounting Plate	
2	209/00025/08	Screw	
3	209/00170/02	Drain Valve Spring	
4	209/00025/15	Valve Axle	
5	209/00025/12	Washer	
6	209/00025/10	Drain Valve Shaft Seal	
7	209/00025/02	Drain Housing Gasket	
8	209/00025/06	Screw	
9	209/00256/05	Valve	
10	209/00025/03	Drain Valve Spring	
11	209/00025/16	Sealing Plate Assembly	
12	209/00025/09	Screw	
13	209/00256/01	Valve	
14	209/00170/05	Screw	
15	209/00203/12	Drain Valve Motor	24 Volt
	209/00052/12	Drain Valve Motor	110 Volt/60 Hertz
	209/00170/06	Drain Valve Motor Assembly	220 Volt/50 or 60 Hertz
16	209/00203/21	Coil	24 Volt
	209/00052/21	Coil	115 Volt/60 Hertz
	209/00051/21	Coil	220 Volt/50 or 60 Hertz

Upper Back Panel

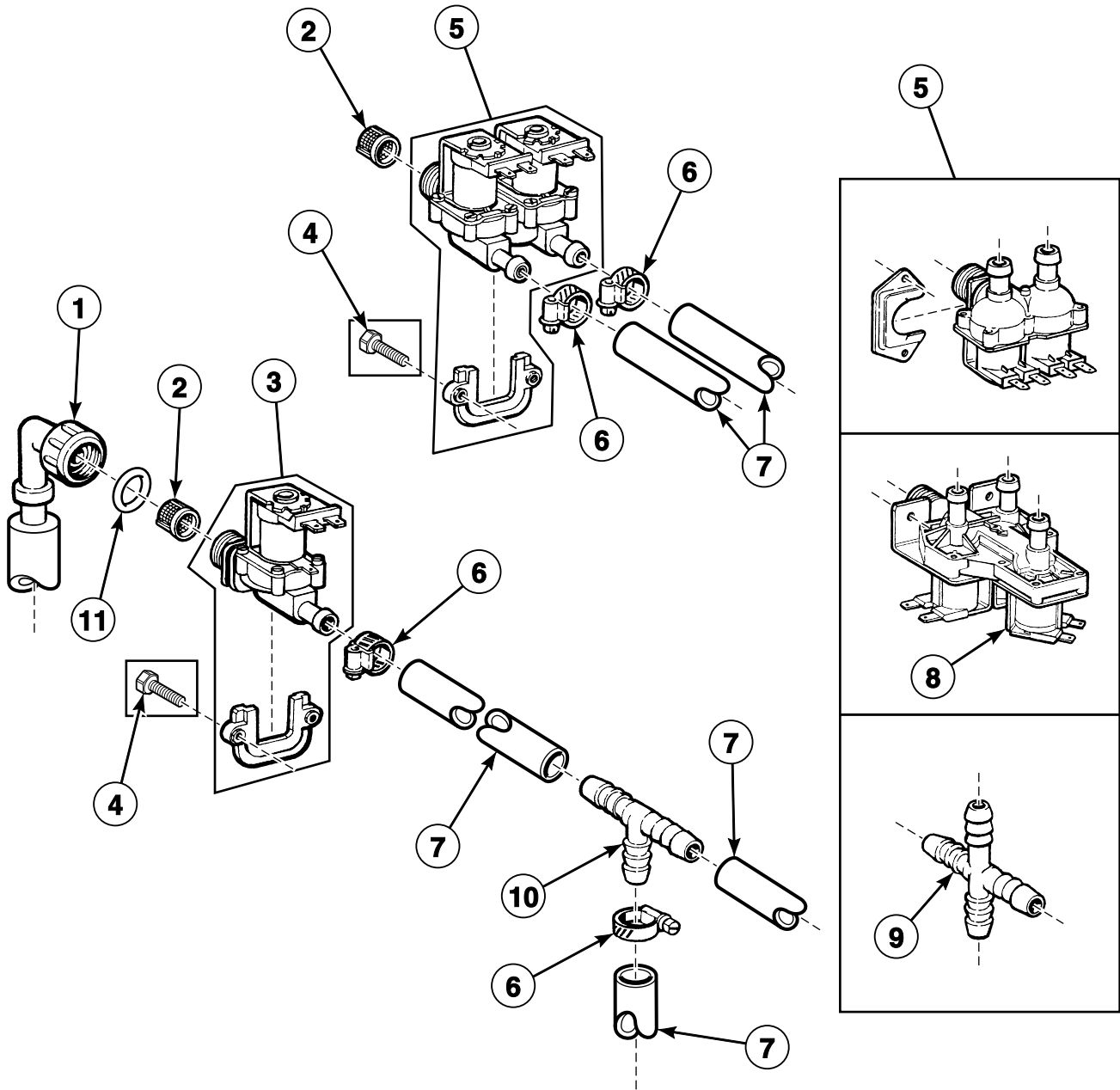


BE100034P_D0246

Upper Back Panel

REF	PART NO.	DESCRIPTION	COMMENTS
1	207/00006/00	Screw	
2	202/00004/00	Washer	
3	209/00057/00	Terminal	
4	203/00007/00	Washer	
5	208/00007/00	Screw	
6	229/00001/00	Sticker	
7	111/00200/00	Cover Plate	
8	209/00006/00	Terminal	
9	203/00006/00	Washer	
10	204/00007/00	Nut	
11	207/00003/00	Screw	
12	209/00005/00	Terminal Block	
13	211/00084/00	Plug	20.5 mm diameter
	211/00085/00	Stopper	25.5 mm diameter
14	211/00086/00	Stopper	28 mm diameter
	211/00087/00	Plug	30 mm diameter
15	111/32104/00	Rear Bridge	
16	209/00202/00	Fuse Holder	
17	209/00195/00	Fuse	
18	211/00022/00	Nut	
19	211/00138/00	Cordlock	PG21
	211/00097/00	Cordlock	PG29
20	209/00408/00	Printboard	
21	204/00008/00	Nut	
22	223/00123/00	Washer	
23	211/00106/00	Spacer	
24	207/00014/00	Screw	

Water Inlet Valves

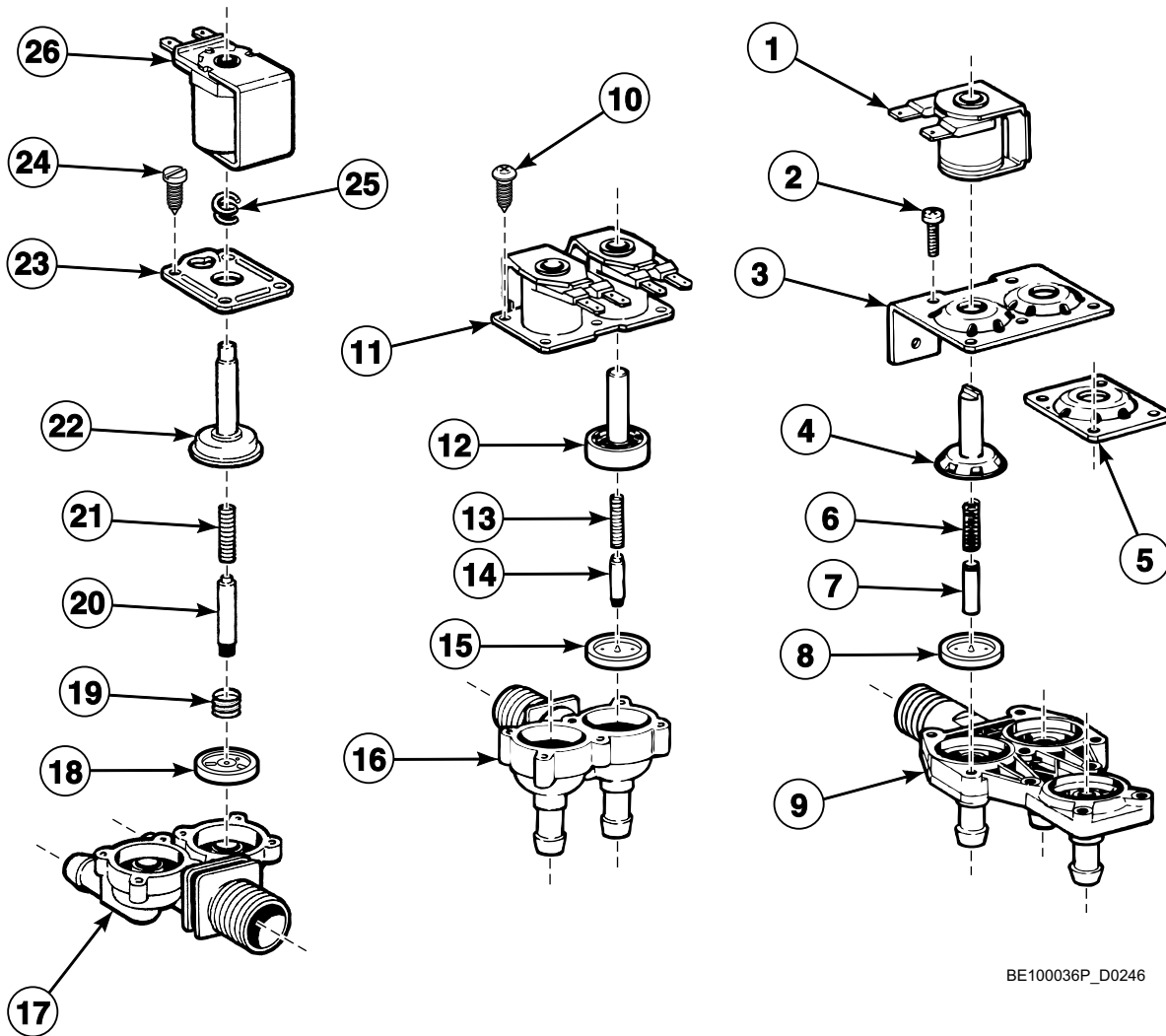


BE100035P_D0246

Water Inlet Valves

REF	PART NO.	DESCRIPTION	COMMENTS
1	F200165	Water Hose	
2	209/00001/10	Filter	Used with Elbi valve
	223/00051/08	Filter	Used with Techno valve
3	209/00276/00	Inlet Valve	
4	207/00004/00	Screw	
5	209/00110/00	2-Way Inlet Valve	
6	223/00010/00	Hose Clamp	
7	223/00044/00	Water Hose	
8	209/00277/00	3-Way Inlet Valve	
9	223/00073/00	Connector	
10	223/00041/00	Water Inlet Tee	
11	223/00049/01	Joint	

Water Inlet Valves - Invensys

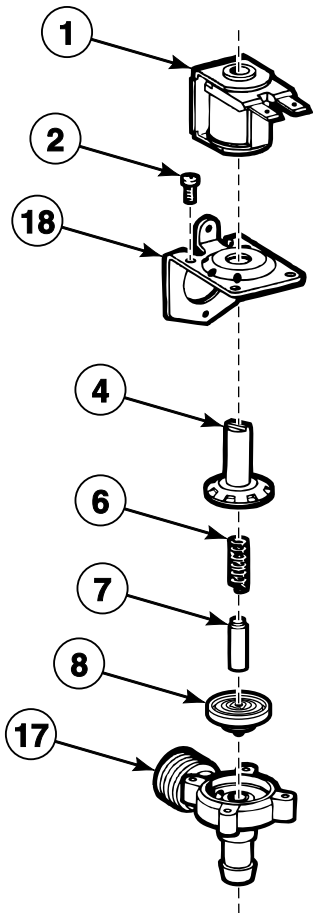


BE100036P_D0246

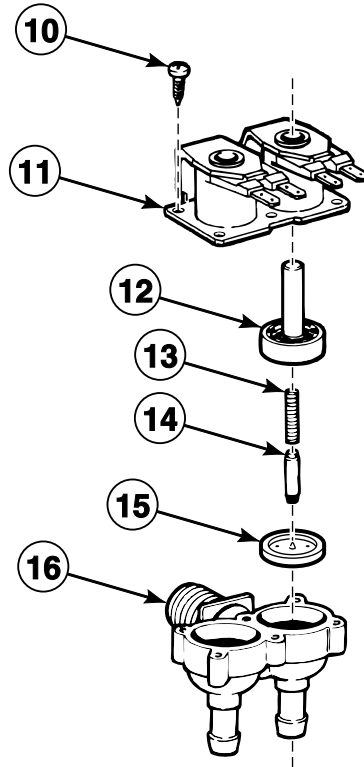
Water Inlet Valves - Invensys

REF	PART NO.	DESCRIPTION	COMMENTS
1	209/00001/01	Coil	
2	209/00001/02	Screw	
3	209/00001/03	2-Way Plate	
4	209/00001/04	Core Holder	
5	209/00001/11	1-Way Plate	
6	209/00001/05	Spring	
7	209/00001/06	Core	
8	209/00001/07	Diaphragm	
9	209/00001/08	3-Way Inlet Valve	Elbi
	209/00112/12	3-Way Valve	Mueller
10	223/00051/01	Screw	
11	223/00051/02	2-Way Inlet Valve	
12	223/00051/03	Core Holder	
13	223/00051/04	Spring	
14	223/00051/05	Core	
15	223/00051/06	Diaphragm	
16	209/00114/08	2-Way Valve	
17	209/00090/12	2-Way Valve	
18	209/00090/08	Diaphragm	
19	209/00090/15	Spring	
20	209/00090/07	Core	
21	209/00090/06	Spring	
22	209/00090/05	Core Holder	
23	209/00045/07	Assembly Plate	
24	209/00090/03	Screw	
25	209/00090/02	Spring	
26	209/00090/01	Inlet Valve Solenoid	

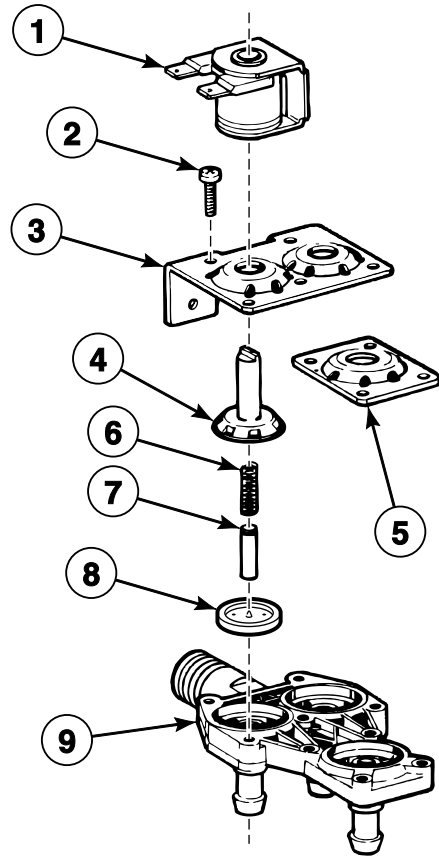
Water Inlet Valves - Elbi



ELBI



TECHNO



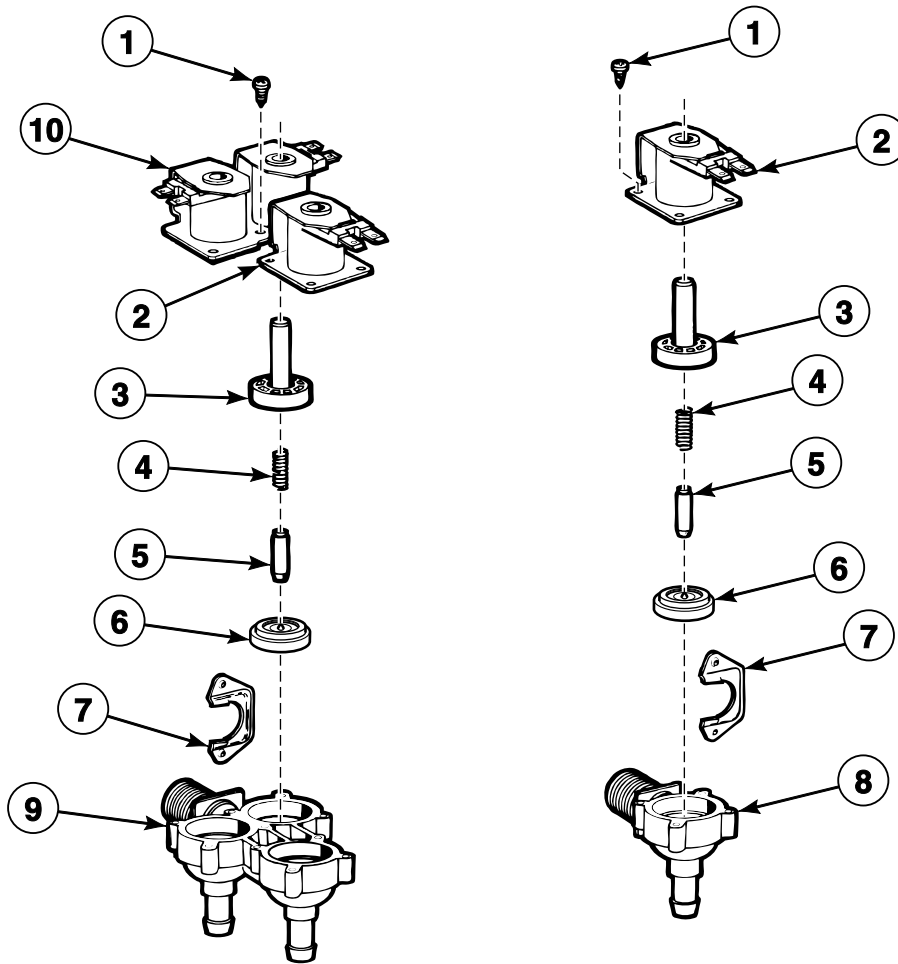
ELBI

BE100008P_D0246

Water Inlet Valves - Elbi

REF	PART NO.	DESCRIPTION	COMMENTS
1	209/00001/01	Coil	
2	209/00001/02	Screw	
3	209/00001/03	2-Way Plate	
4	209/00001/04	Core Holder	
5	209/00001/11	1-Way Plate	
6	209/00001/05	Spring	
7	209/00001/06	Core	
8	209/00001/07	Diaphragm	
9	209/00001/08	3-Way Inlet Valve	
10	223/00051/01	Screw	
11	223/00051/02	2-Way Inlet Valve	
12	223/00051/03	Core Holder	
13	223/00051/04	Spring	
14	223/00051/05	Core	
15	223/00051/06	Diaphragm	
16	223/00051/07	2-Way Inlet Valve	
17	209/00048/08	1-Way Inlet Valve	
18	209/00048/03	1-Outlet Plate	

Water Inlet Valves - Techno

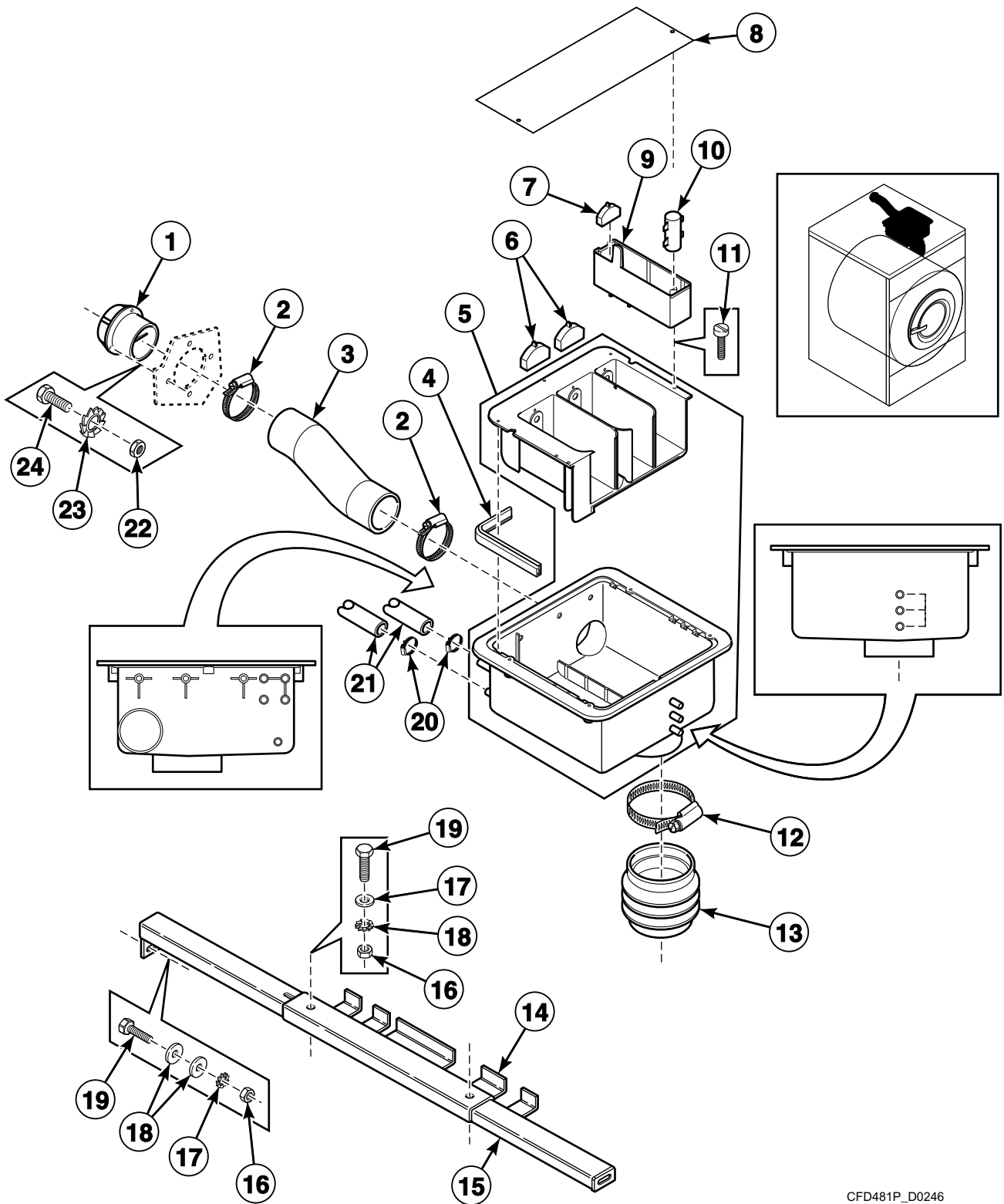


BE100009P_D0246

Water Inlet Valves - Techno

REF	PART NO.	DESCRIPTION	COMMENTS
1	223/00051/01	Screw	
2	223/00051/11	Coil	
3	223/00051/03	Core Holder	
4	223/00051/04	Spring	
5	223/00051/05	Core	
6	223/00051/06	Diaphragm	
7	223/00051/09	Plate	
8	223/00051/12	1-Way Inlet Valve	
9	223/00051/13	3-Way Inlet Valve	
10	223/00051/02	2-Way Inlet Valve	

Supply Dispenser



CFD481P_D0246

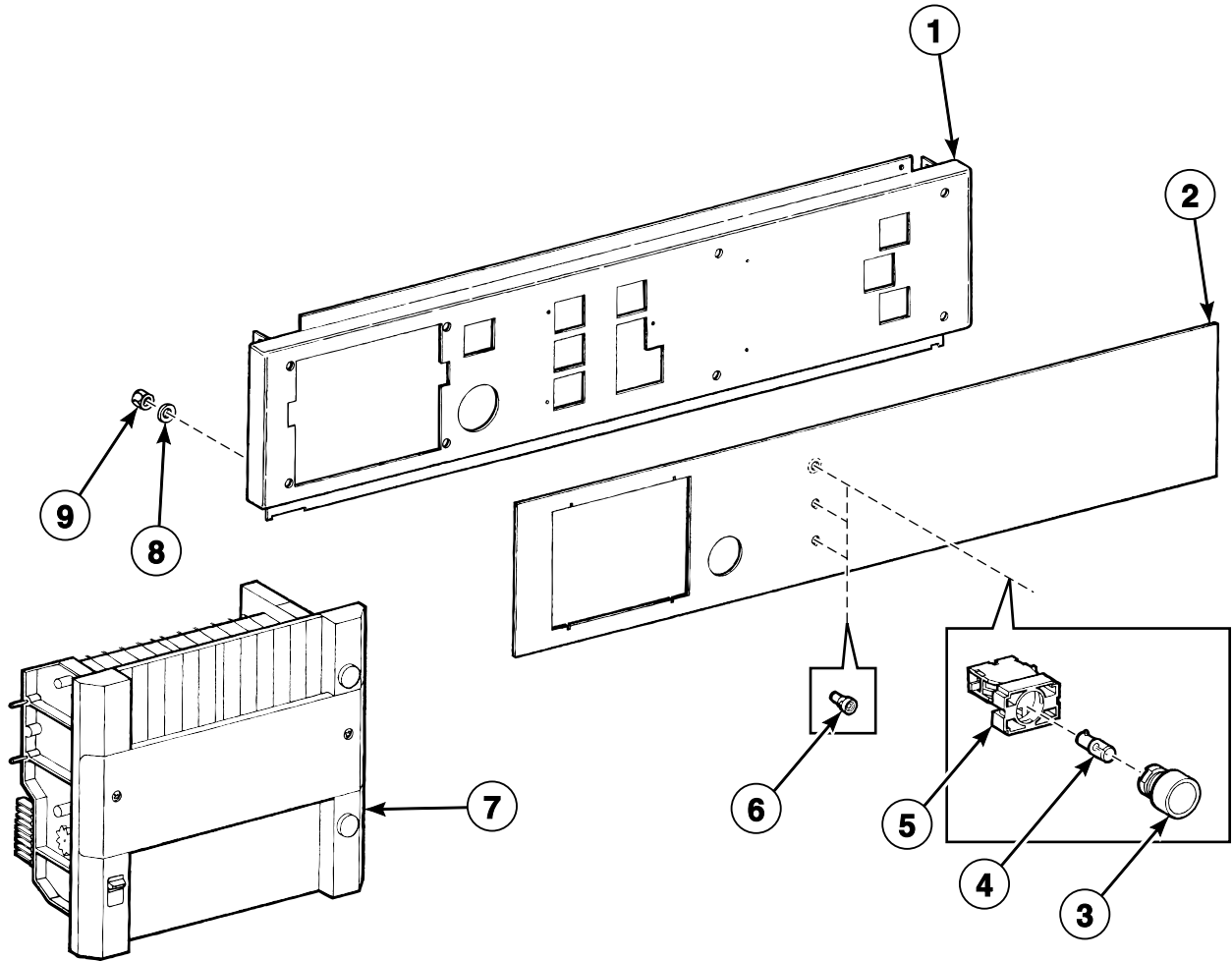
Supply Dispenser

REF	PART NO.	DESCRIPTION	COMMENTS
1	223/00102/07	Hose Vent	
2	223/00014/00	Hose Clamp	
3	223/00107/00	Soap Dispenser Air Breather Hose	*110 and *132 models
	223/00107/02	Vent Hose	*165 models
4	223/00109/00	Soap Dispenser Gasket	
5	223/00102/30	Soap Dispenser Assembly	
6	223/00102/06	Soap Spray Nozzle	
7	223/00102/05	Softener Spray Nozzle	
8	123/00103/06	Soap Box Assembly Plate	
9	223/00102/03	Rinse Insert	
10	223/00102/04	Soap Dispenser Rinse Siphon	
11	208/00130/00	Screw	
12	223/00023/00	Hose Clamp	
13	223/00115/00	Hose	
14	111/00117/00	Soap Box Support Plate	
15	111/00119/00	Cover Plate Support	*110 and *132 models
	111/00120/00	Cover Plate Support	*165 models
16	204/00005/00	Nut	
17	203/00004/00	Washer	
18	201/00007/00	Washer	
19	206/00014/00	Bolt	
20	223/00010/00	Hose Clamp	
21	223/00044/00	Water Hose	
22	204/00007/00	Nut	
23	203/00006/00	Washer	
24	206/00027/00	Bolt	

Control Panel - Ramstetter

REF	PART NO.	DESCRIPTION	COMMENTS
1	209/00151/00	Lamp	
2	111/32702/00	Front Bridge	
3	111/10140/00	Assembly Plate	
4	211/00115/00	Thermostat	
5	201/00008/00	Washer	
6	203/00006/00	Washer	
7	204/00007/00	Nut	
8	209/00082/00	Program Card	
9	223/00065/01	Washer	
10	223/00065/00	Thermostat Seal	
11	207/00011/00	Screw	
12	224/00036/00	Fastener	
13	206/00027/00	Bolt	
14	202/00004/00	Washer	
15	111/00079/00	Assembly Plate	
16	203/00007/00	Washer	
17	204/00008/00	Nut	
18	202/00003/00	Washer	

Control Panel - Fiber Control

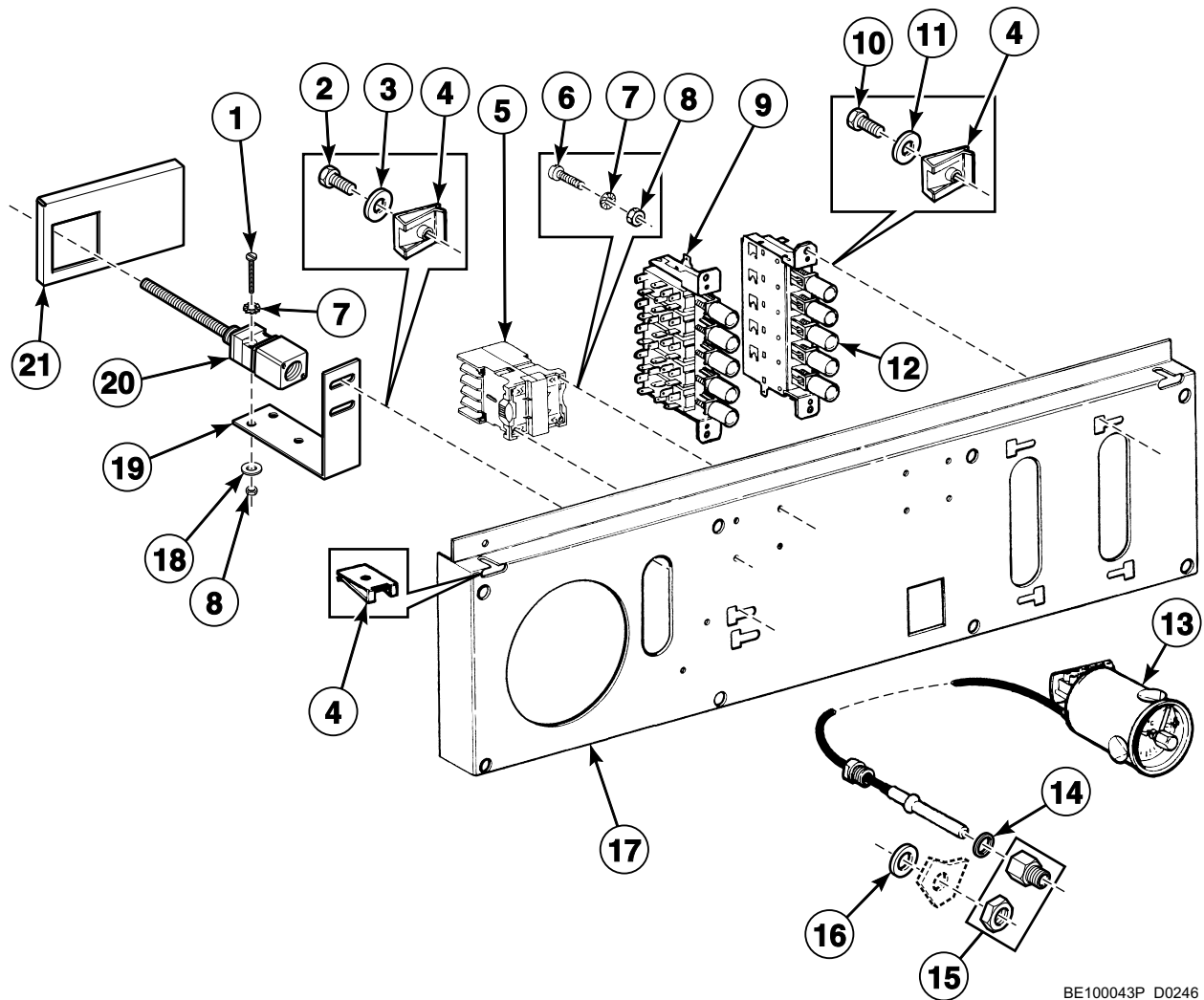


BE100041P_D0246

Control Panel - Fiber Control

REF	PART NO.	DESCRIPTION	COMMENTS
1	111/31109/00	Front Bridge	
2	125/00258/OOL	Front Panel	
3	209/00254/21	Pushbutton	
4	209/00249/00	Pilot Light	
5	209/00254/00	Pushbutton	
6	209/00152/00	Lens Cover	
7	209/00257/00	Card Reader	
8	201/00008/00	Washer	
9	204/00007/00	Nut	

Control Panel - 10 Button

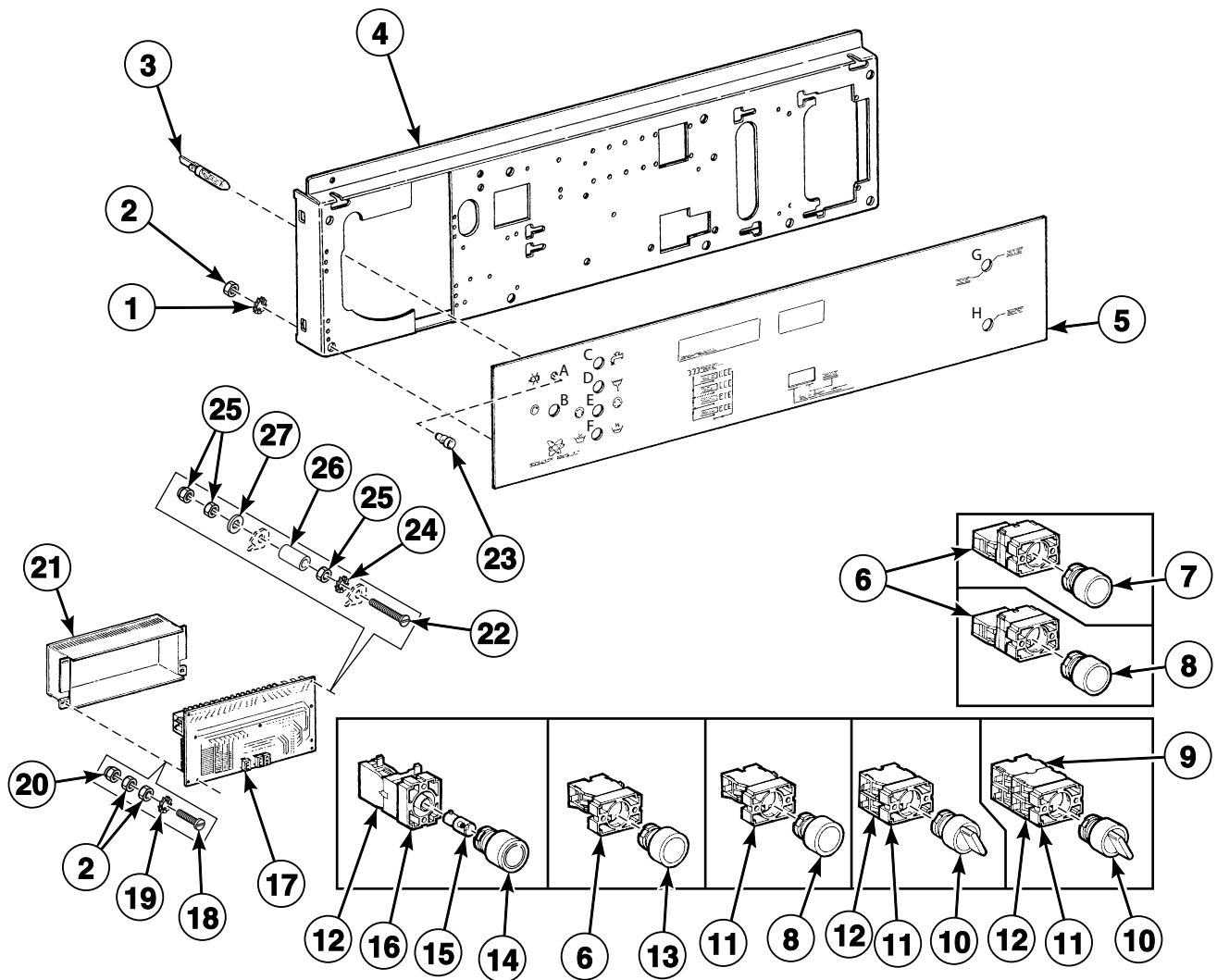


BE100043P_D0246

Control Panel - 10 Button

REF	PART NO.	DESCRIPTION	COMMENTS
1	207/00018/00	Screw	
2	206/00054/00	Bolt	
3	201/00007/00	Washer	
4	204/00013/00	Nut	
5	209/00124/00	Contactor	
6	207/00008/00	Screw	
7	203/00006/00	Washer	
8	204/00007/00	Nut	
9	209/00175/00	Selector Switch	
10	206/00016/00	Bolt	
11	202/00003/00	Washer	
12	209/00176/00	Selector Switch	
13	209/00144/00	Thermostat	2 temperature
	209/00143/00	Thermostat	3 temperature
14	223/00065/02	Thermostat Joint	
15	223/00065/00	Thermostat Seal	
16	223/00065/01	Washer	
17	111/32704/00	Front Panel	
18	202/00004/00	Washer	
19	111/00107/00	Tilt Switch Bracket	
20	209/00255/00	Out-of-Balance Switch	
21	111/00108/00	Tilt Detector Plate	

Control Panel - PLC9 OPL

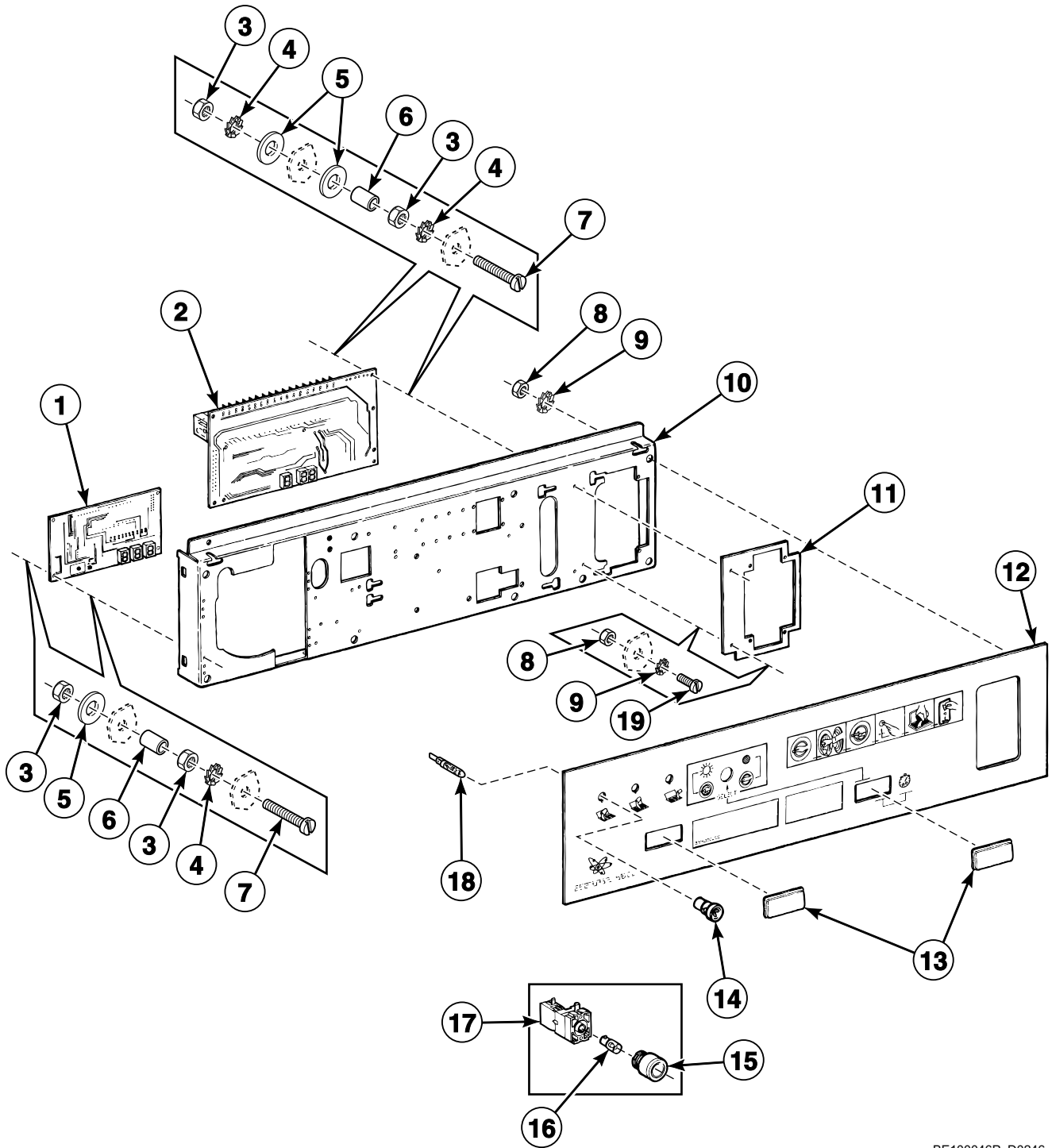


CFD320P_D0246

Control Panel - PLC9 OPL

REF	PART NO.	DESCRIPTION	COMMENTS
1	201/00008/00	Washer	
2	204/00007/00	Nut	
3	209/00151/00	Lamp	
4	111/31107/00	Front Panel	
5	225/00262/AOL	Facia Panel	
6	209/00132/00	Protector	
7	209/00099/04	Button	
8	209/00252/00	Button	
9	209/00099/06	Contact Switch	
10	209/00099/08	Button	
11	209/00253/00	Emergency Stop Button Kit	
12	209/00099/07	Contact Switch	
13	209/00251/00	Button	
14	209/00280/01	Button	
15	209/00249/00	Pilot Light	
16	209/00254/00	Pushbutton	
17	209/00266/00	Timer	
18	207/00008/00	Screw	
19	203/00006/00	Washer	
20	204/00114/00	Nut	
21	111/32106/00	Plate	
22	207/00025/00	Screw	
23	209/00152/00	Lens Cover	
24	203/00007/00	Washer	
25	204/00008/00	Nut	
26	211/00106/00	Spacer	
27	223/00123/00	Washer	

Control Panel - PLC9 Coin

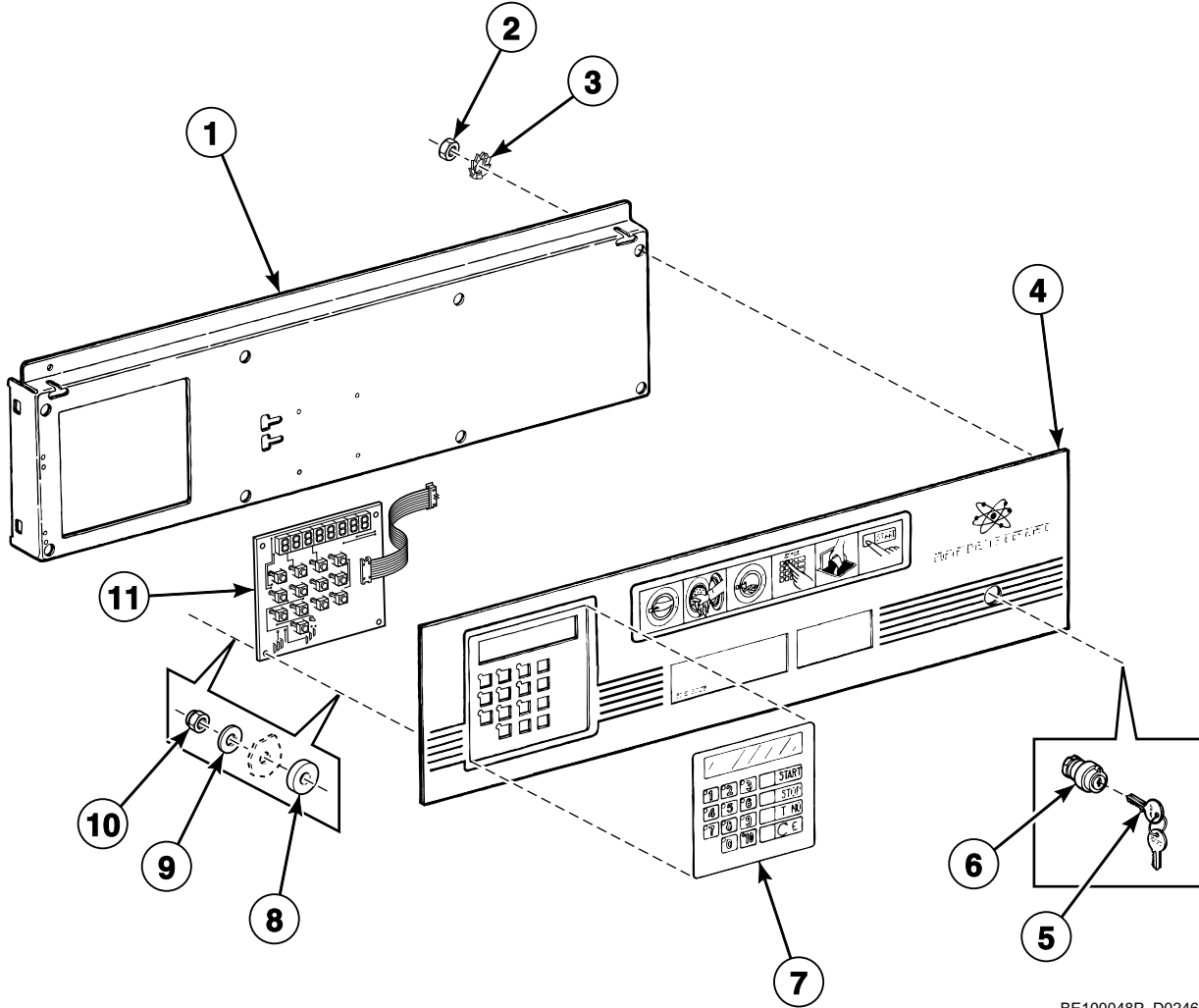


BE100046P_D0246

Control Panel - PLC9 Coin

REF	PART NO.	DESCRIPTION	COMMENTS
1	209/00217/00	Coin Display	
2	209/00266/00	Timer	
3	204/00008/00	Nut	
4	203/00007/00	Washer	
5	223/00123/00	Washer	
6	211/00106/00	Spacer	
7	207/00025/00	Screw	
8	204/00007/00	Nut	
9	203/00006/00	Washer	
10	111/32704/00	Front Panel	
11	111/00062/00	Assembly Plate	
12	225/00279/AOL	Facia Panel	
13	223/10066/00	Display	
14	209/00152/00	Lens Cover	Red
	209/00154/00	Lens Cover	Orange
15	209/00280/01	Button	
16	209/00249/00	Pilot Light	
17	209/00099/07	Contact Switch	
	209/00254/00	Pushbutton	Includes item 16
18	209/00151/00	Lamp	
19	207/00008/00	Screw	

Control Panel - PC20 and PC30

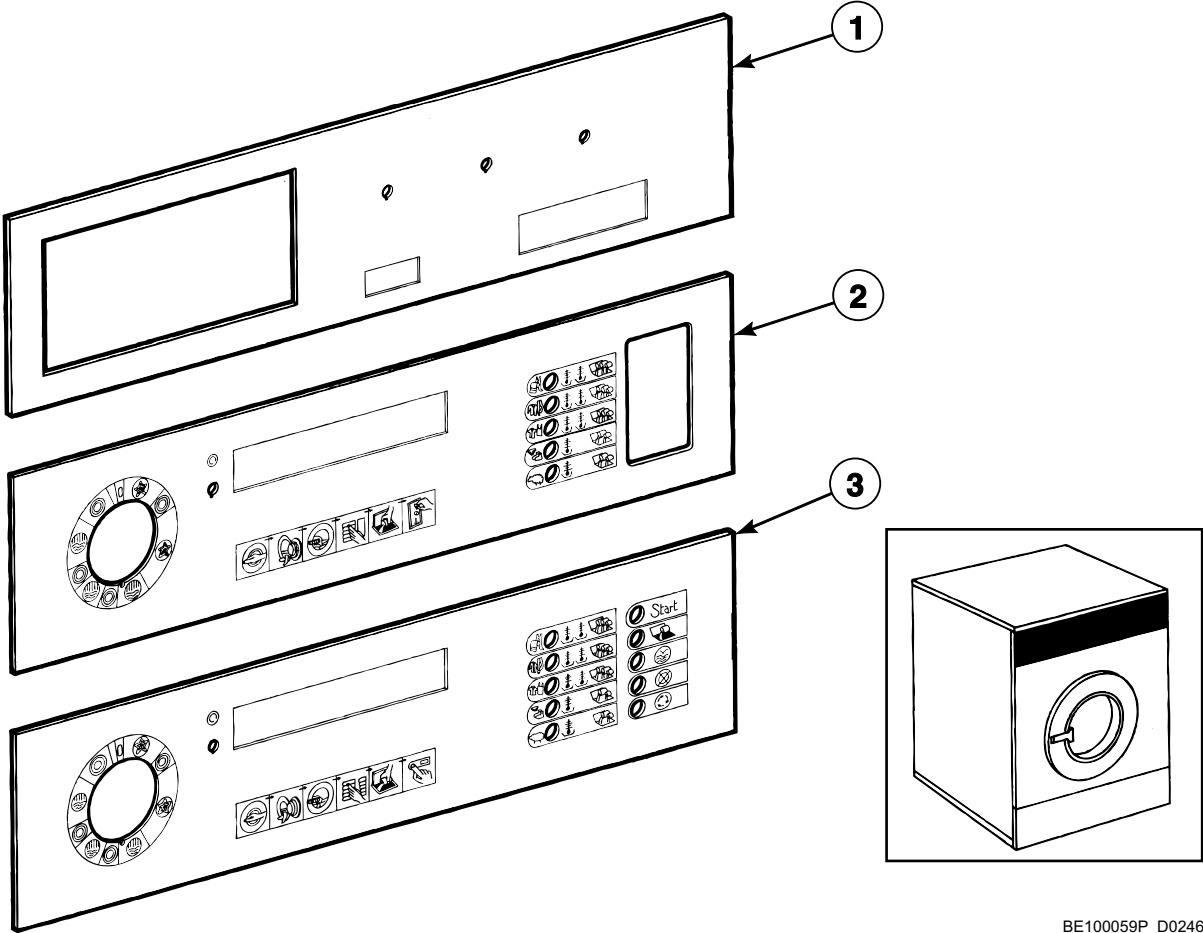


BE100048P_D0246

Control Panel - PC20 and PC30

REF	PART NO.	DESCRIPTION	COMMENTS
1	111/00144/00	Front Panel	
2	204/00007/00	Nut	
3	203/00006/00	Washer	
4	225/00204/AOL	Front Panel	
5	209/00132/00	Protector	
6	209/00326/00	Programming Switch	
7	229/00244/00	Keypad	
8	201/00008/00	Washer	
9	202/00004/00	Washer	
10	204/00116/00	Nut	
11	209/00290/02	Keyboard	

Control Panel

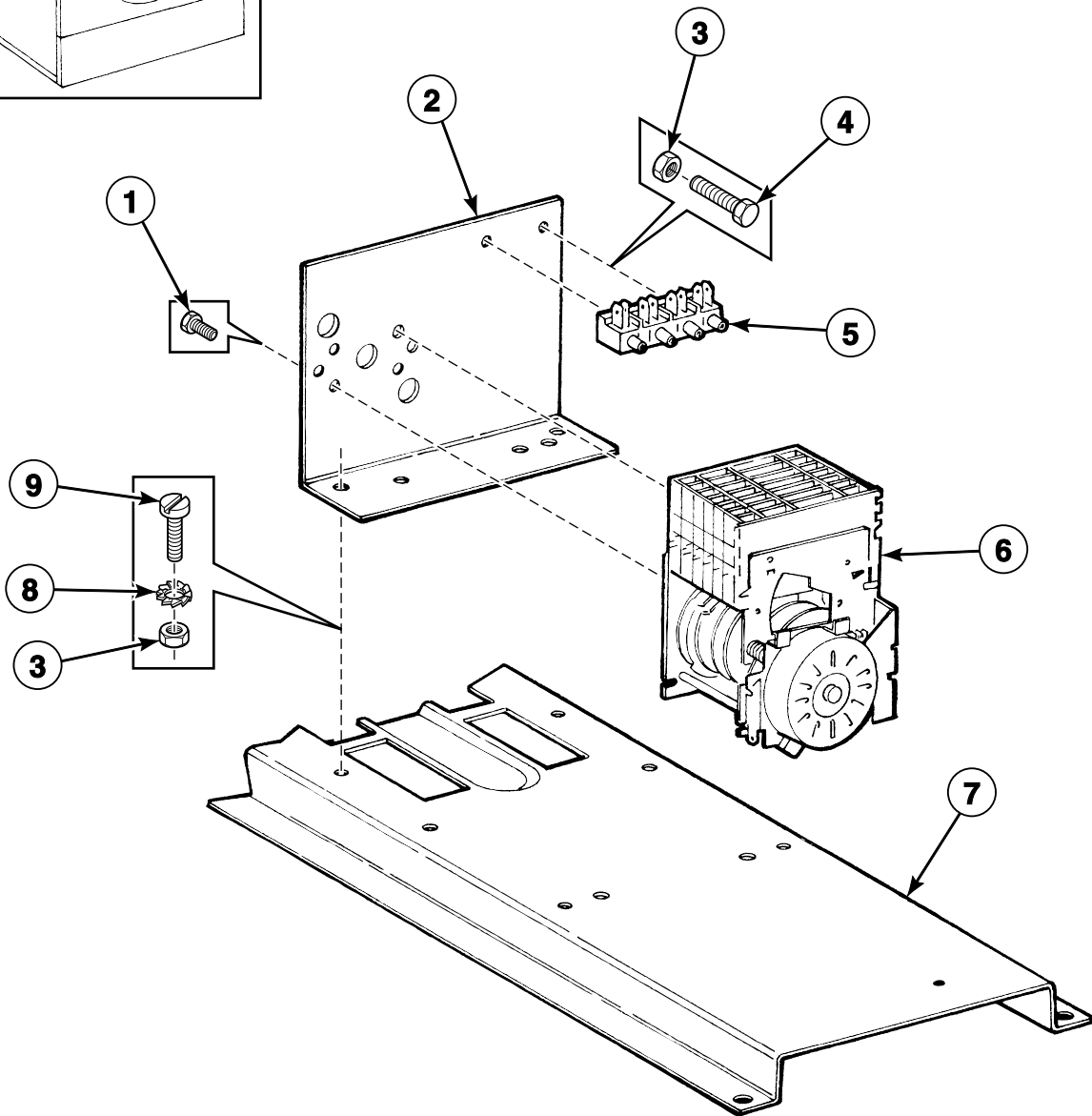
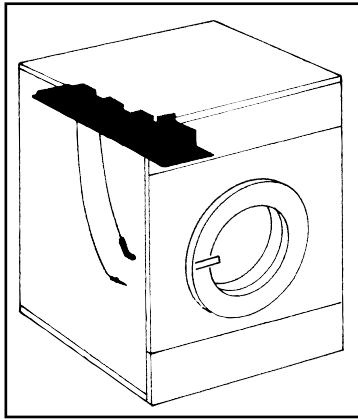


BE100059P_D0246

Control Panel

REF	PART NO.	DESCRIPTION	COMMENTS
1	225/00246/ABL	Facia Panel	
2	325/00231/ABL	Facia Panel	*165 models; Coin; French
	225/00222/ABL	Facia Panel	*165 models; Coin; Icon
3	225/00221/ABL	Facia Panel	*165 models; OPL; Icon
	325/00282/ABL	Facia Panel	*165 models; OPL; Swedish

Electrical Component Mounting Plate - Mechanical Timer

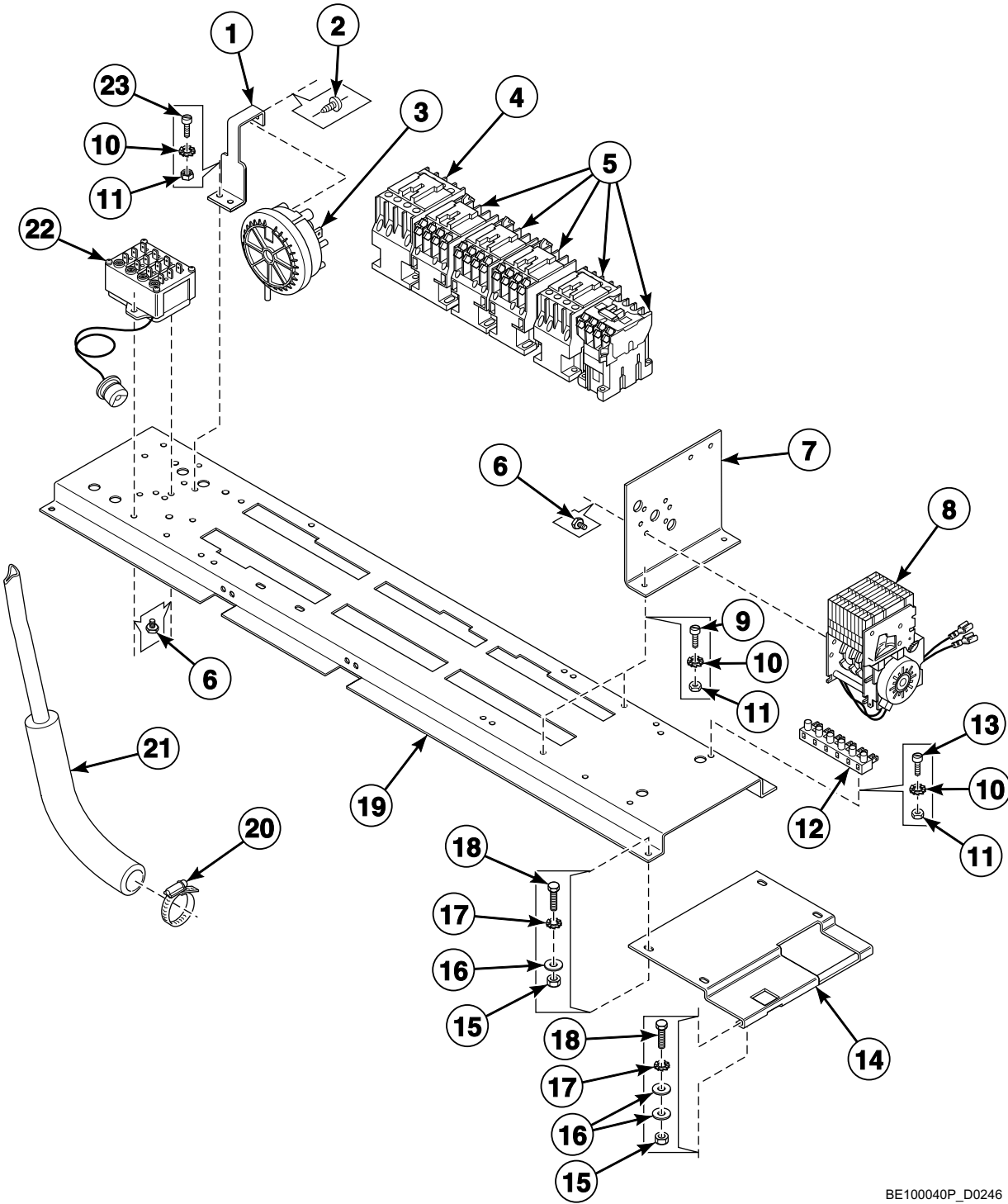


BE100038P_D0246

Electrical Component Mounting Plate - Mechanical Timer

REF	PART NO.	DESCRIPTION	COMMENTS
1	206/00021/00	Screw	
2	111/00035/00	Mounting Plate	
3	204/00007/00	Nut	
4	207/00008/00	Screw	
5	209/00005/00	Terminal Block	
6	209/00012/00	Reversing Timer	50 Hertz
	209/00013/00	Reversing Timer	60 Hertz
7	111/00173/AO	Mounting Plate	*110 and *132 models
	111/00039/AO	Mounting Plate	*165 models
8	203/00008/00	Washer	
9	207/00004/00	Screw	

Electrical Component Mounting Plate - Ramstetter

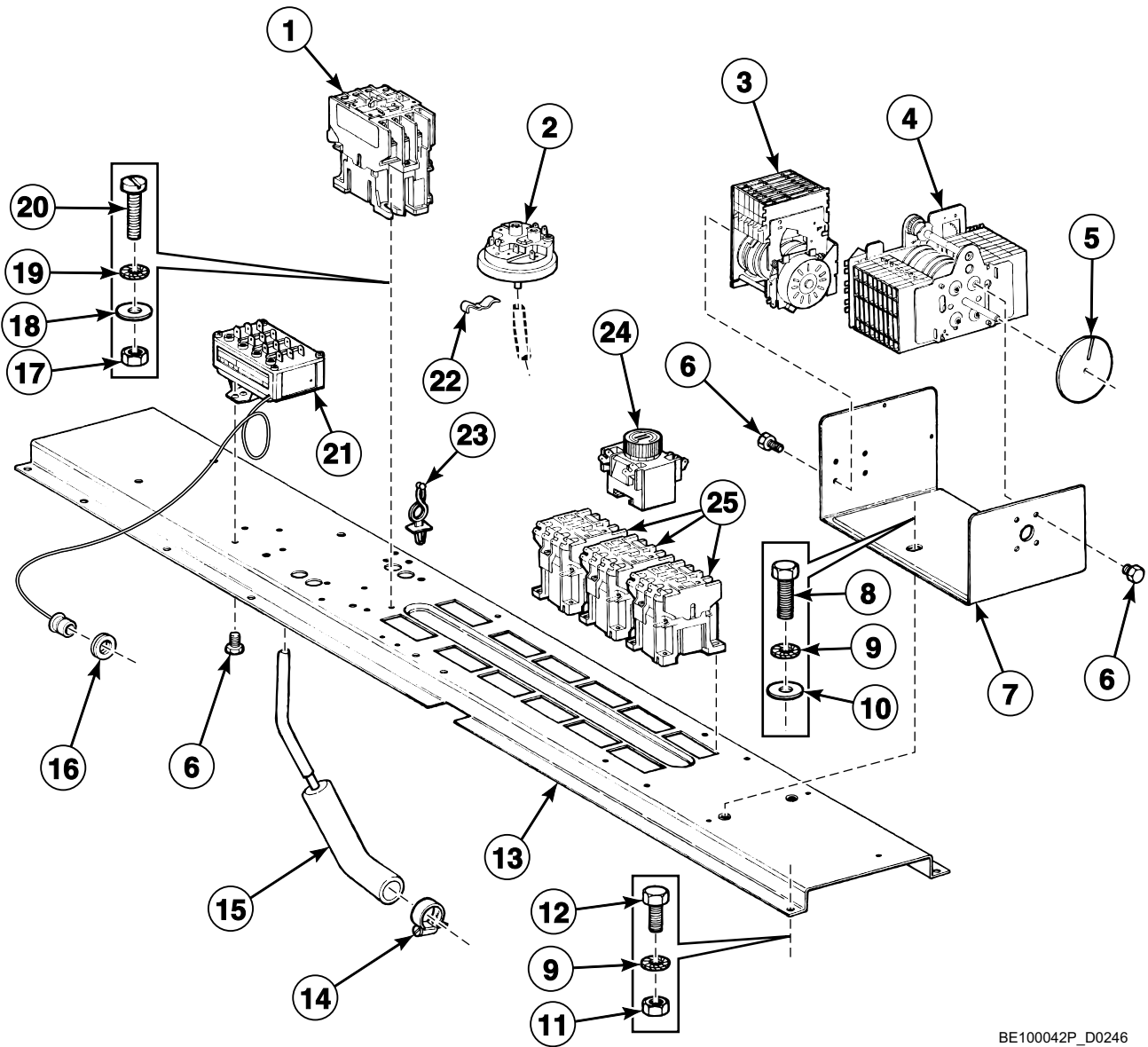


BE100040P_D0246

Electrical Component Mounting Plate - Ramstetter

REF	PART NO.	DESCRIPTION	COMMENTS
1	111/00424/00	Pressure Switch Bracket	
2	208/00007/00	Screw	
3	209/00007/30	Pressure Switch	
4	209/00056/02	Contactor	LC1D4011M5
	209/06150/02	Contactor	LC1D5011M5
	209/00149/02	Contactor	LC1D3210M5
	209/00041/04	Contactor	LC1D0901M5
	209/00148/02	Contactor	LC1D1810M5
	209/00177/02	Contactor	LC1D2510M5
5	209/00041/03	Contactor	
6	206/00021/00	Screw	
7	111/00035/00	Mounting Plate	
8	209/00012/00	Reversing Timer	220 Volt/50 Hertz
	209/00013/00	Reversing Timer	220 Volt/60 Hertz
9	207/00004/00	Screw	
10	203/00006/00	Washer	
11	204/00007/00	Nut	
12	210/10007/00	Connection	
13	207/00003/00	Screw	
14	111/32952/01	Assembly Plate	
15	204/00005/00	Nut	
16	202/00003/00	Washer	
17	203/00004/00	Washer	
18	206/00015/00	Bolt	
19	111/00037/AO	Assembly Plate	*110 and *132 models
	111/00037/BO	Assembly Plate	*165 models
20	223/00011/00	Hose Clamp	
21	223/00119/00	Hose	
22	209/00243/00	Thermostat	
23	207/00008/00	Screw	

Electrical Component Mounting Plate - Fiber

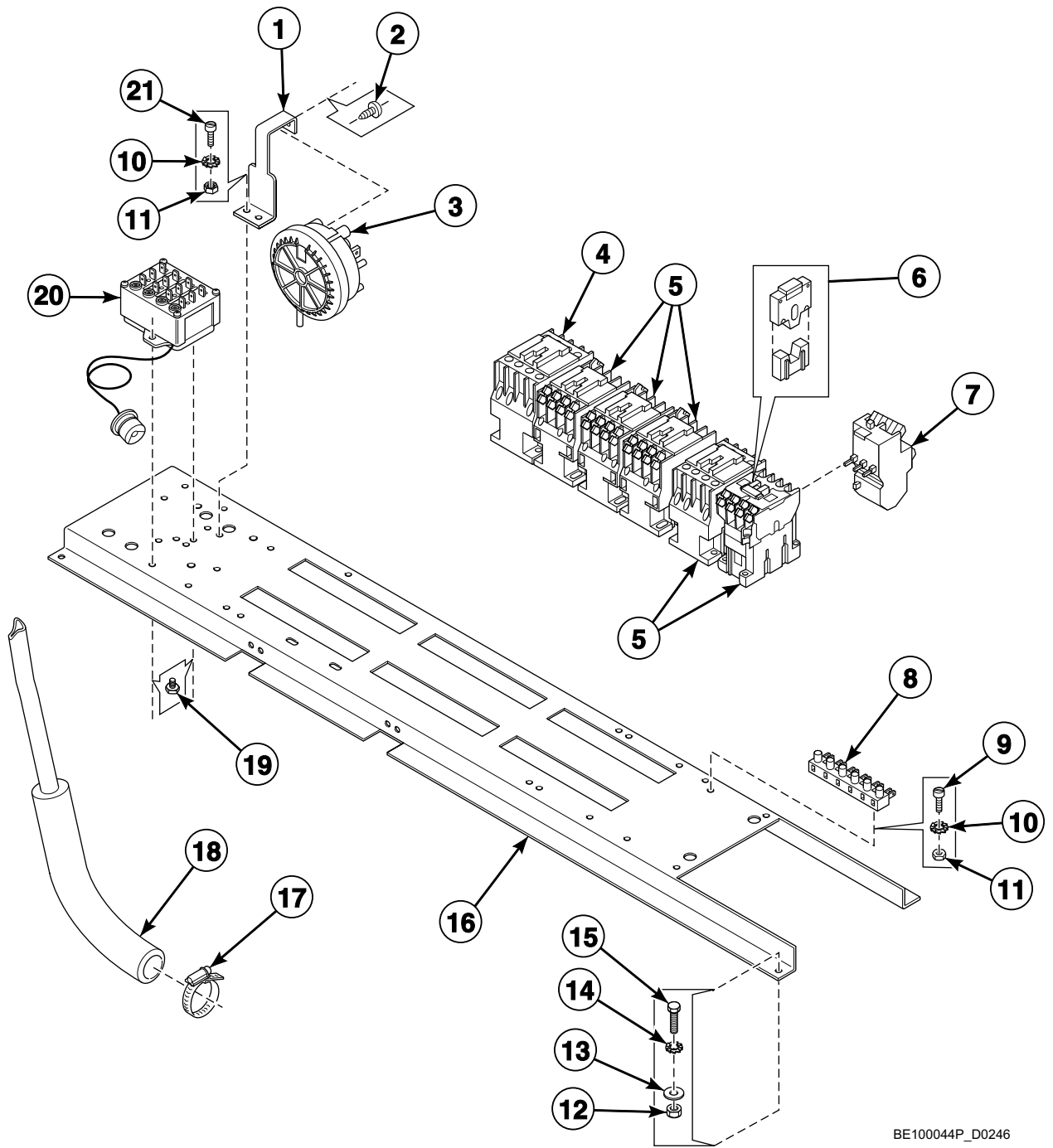


BE100042P_D0246

Electrical Component Mounting Plate - Fiber

REF	PART NO.	DESCRIPTION	COMMENTS
1	209/00041/04	Contactactor	LC1D0901M5
	209/00148/02	Contactactor	LC1D1810M5
	209/00149/02	Contactactor	LC1D3210M5
	209/06150/02	Contactactor	LC1D5011M5
	209/00177/02	Contactactor	LC1D2510M5
	209/00056/02	Contactactor	LC1D4011M5
2	209/00007/10	Water Level Switch	
3	209/00012/00	Reversing Timer	220 Volt/50 Hertz
	209/00013/00	Reversing Timer	220 Volt/60 Hertz
4	209/00107/00R	Timer	220 Volt/50 Hertz
	209/00108/00	Timer	220 Volt/50 Hertz; Green
	209/06150/02	Contactactor	220 Volt/60 Hertz
	209/00109/00	Timer	220 Volt/60 Hertz; Green
5	225/00001/00	Program Indicator	
6	206/00021/00	Screw	
7	111/00016/00	Mounting Plate	
8	206/00014/00	Bolt	
9	203/00004/00	Washer	
10	201/00007/00	Washer	
11	204/00005/00	Nut	
12	206/00015/00	Bolt	
13	111/00037/AO	Assembly Plate	*110 and *132 models
	111/00038/AO	Assembly Plate	*165 models
14	223/00011/00	Hose Clamp	
15	223/00119/00	Hose	
16	225/10004/00	Thermostat Seal	
17	204/00007/00	Nut	
18	202/00004/00	Washer	
19	203/00006/00	Washer	
20	207/00003/00	Screw	
21	209/00243/00	Thermostat	
22	209/00007/01	Clip	
23	211/00083/00	Wire Holder	
24	209/00101/02	Switch	LA2DT49
	209/00103/02	Switch	LA3-DR49
25	209/00041/03	Contactactor	

Electrical Component Mounting Plate - 10 Button

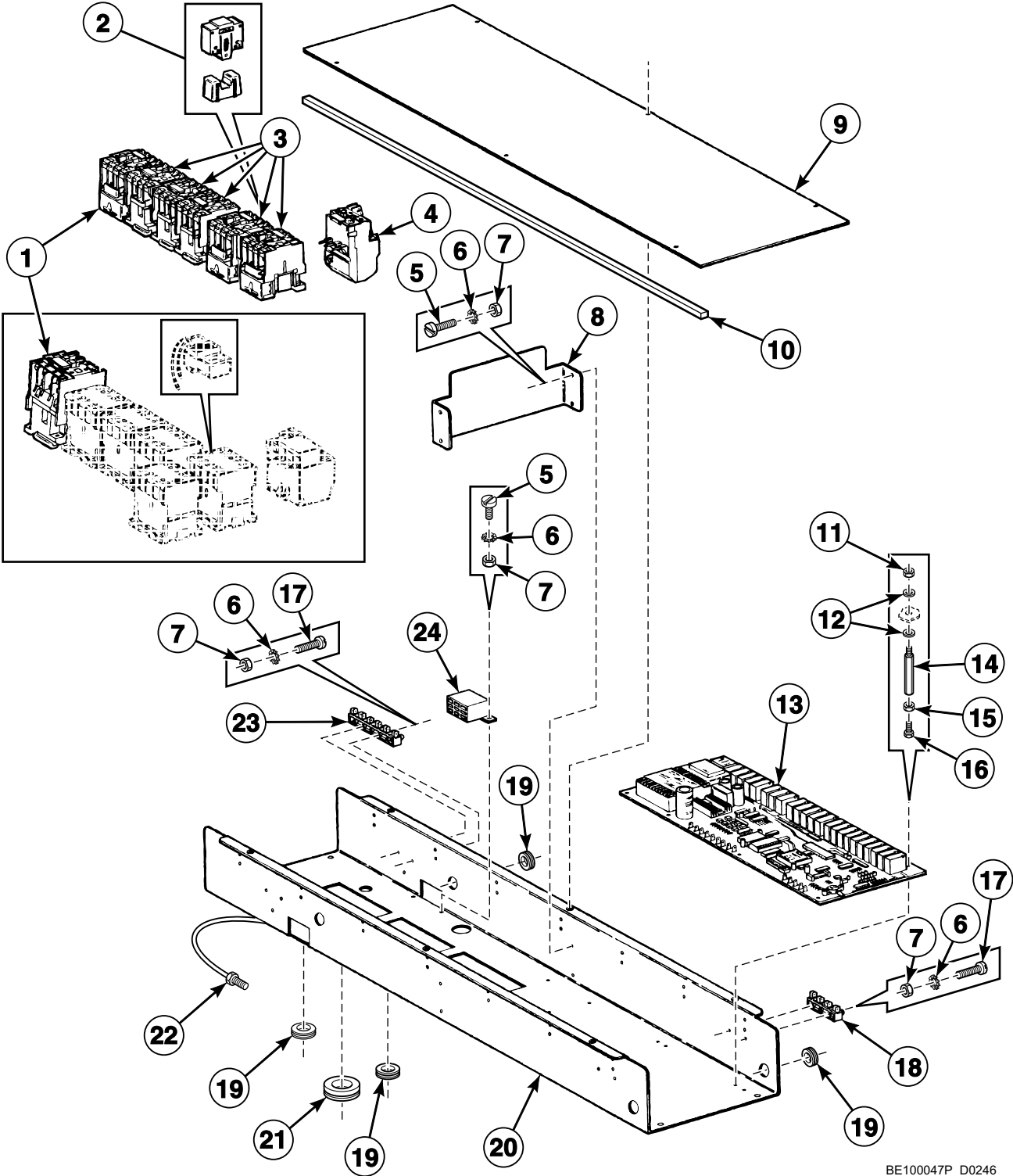


BE100044P_D0246

Electrical Component Mounting Plate - 10 Button

REF	PART NO.	DESCRIPTION	COMMENTS
1	111/00424/00	Pressure Switch Bracket	
2	208/00007/00	Screw	
3	209/00007/30	Pressure Switch	
4	209/00149/02	Contactactor	LC1D3210M5
	209/06150/02	Contactactor	LC1D5011M5
	209/00056/02	Contactactor	LC1D4011M5
	209/00041/04	Contactactor	LC1D0901M5
	209/00177/02	Contactactor	LC1D2510M5
	209/00148/02	Contactactor	LC1D1810M5
5	209/00041/03	Contactactor	
6	209/00279/00	Lock	
7	209/00263/00	Protector	LR2-D1308/2.5-4A
	209/00264/00	Protector	LR2-D1310/4-6A
	209/00283/00	Protector	LR2-D1306/1-1.6A
	209/00132/00	Protector	LR1-DO9321/13-18A
	209/00299/00	Protector	LR2-D13169/9-13A
	209/00285/00	Protector	LR2-D1312/5.5-8A
	209/00284/00	Protector	LR2-D1307/1.6-2.5A
	209/00265/00	Protector	LR2-D1314/7-10A
8	209/00005/00	Terminal Block	
9	207/00003/00	Screw	
10	203/00006/00	Washer	
11	204/00007/00	Nut	
12	204/00005/00	Nut	
13	202/00003/00	Washer	
14	203/00004/00	Washer	
15	206/00015/00	Bolt	
16	111/00037/BO	Assembly Plate	*110 and *132 models
	111/00037/AO	Assembly Plate	*165 models
17	223/00011/00	Hose Clamp	
18	223/00119/00	Hose	
19	206/00021/00	Screw	
20	209/00243/00	Thermostat	
21	207/00008/00	Screw	

Electrical Component Mounting Plate - PC30

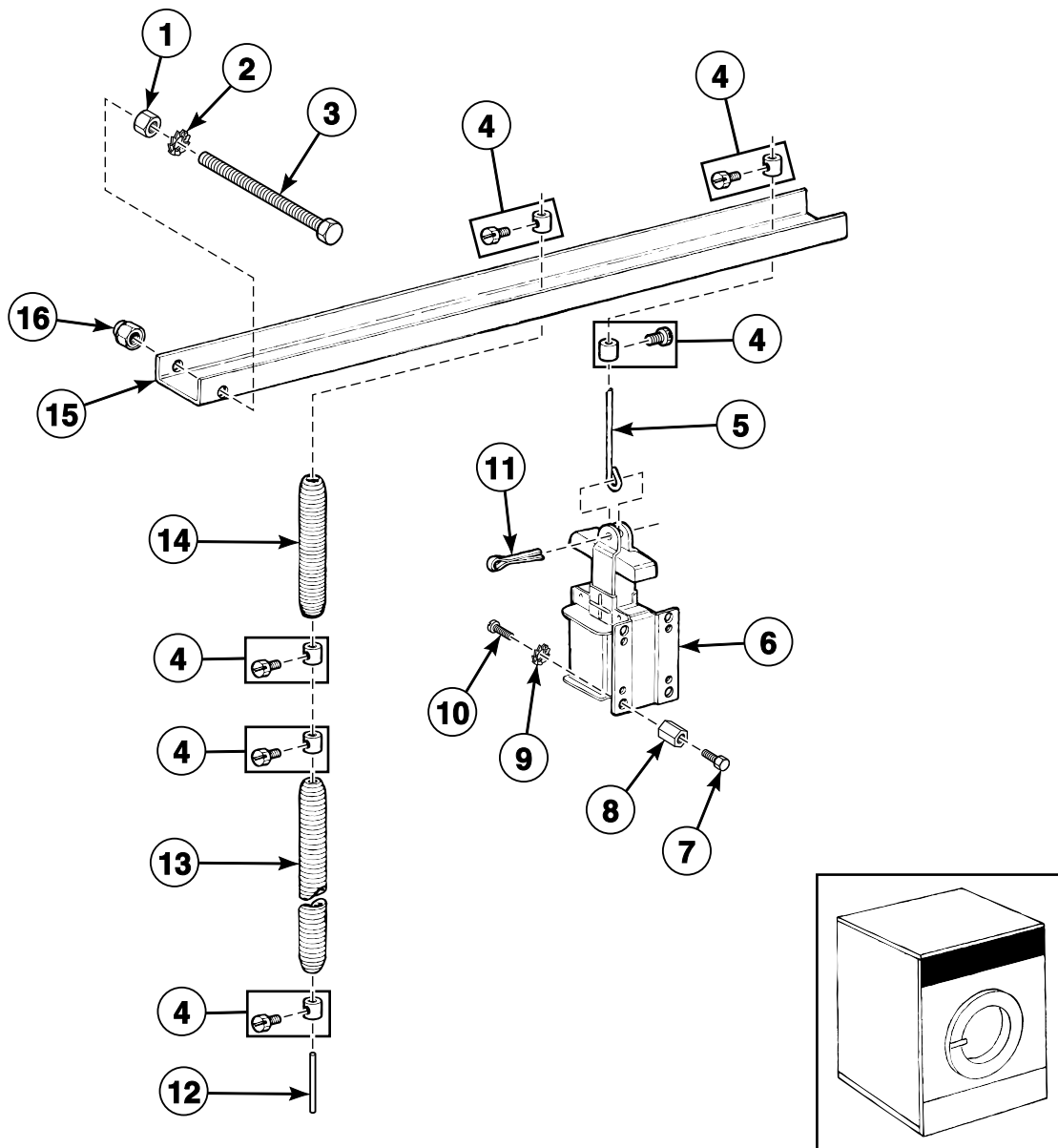


BE100047P_D0246

Electrical Component Mounting Plate - PC30

REF	PART NO.	DESCRIPTION	COMMENTS
1	209/00177/02	Contactator	LC1D2510M5
	209/00148/02	Contactator	LC1D1810M5
	209/06150/02	Contactator	LC1D5011M5
	209/00056/02	Contactator	LC1D4011M5
	209/00149/02	Contactator	LC1D3210M5
	209/00041/04	Contactator	LC1D0901M5
2	209/00279/00	Lock	
3	209/00041/03	Contactator	
4	209/00283/00	Protector	LR2-D1306/1-1.6A
	209/00264/00	Protector	LR2-D1310/4-6A
	209/00265/00	Protector	LR2-D1314/7-10A
	209/00284/00	Protector	LR2-D1307/1.6-2.5A
	209/00263/00	Protector	LR2-D1308/2.5-4A
	209/00285/00	Protector	LR2-D1312/5.5-8A
	209/00132/00	Protector	LR1-D09321/13-18A
	209/00299/00	Protector	LR2-D13169/9-13A
5	207/00004/00	Screw	
6	203/00006/00	Washer	
7	204/00007/00	Nut	
8	111/00137/00	Assembly Plate	
9	111/00106/00	Cover Plate	Models HF110_PC30 and HF132_PC30
	111/00142/00	Cover Plate	Model HF165_PC30
10	246/00092/00	Gasket	
11	204/00008/00	Nut	
12	223/00123/00	Washer	
13	209/00290/01	Printboard	
14	111/00138/00	Axle	
15	203/00007/00	Washer	
16	207/00118/00	Screw	
17	207/00003/00	Screw	
18	209/00005/00	Terminal Block	
19	225/00019/00	Holder	
20	111/00140/00	Assembly Plate	Models HF110_PC30 and HF132_PC30
	111/00143/00	Assembly Plate	Model HF165_PC30
21	225/00027/00	Cable Duct	
22	209/00290/06	Detector	
23	210/10007/00	Connection	
24	209/00141/00	Plug	

Door Lock - One Coil

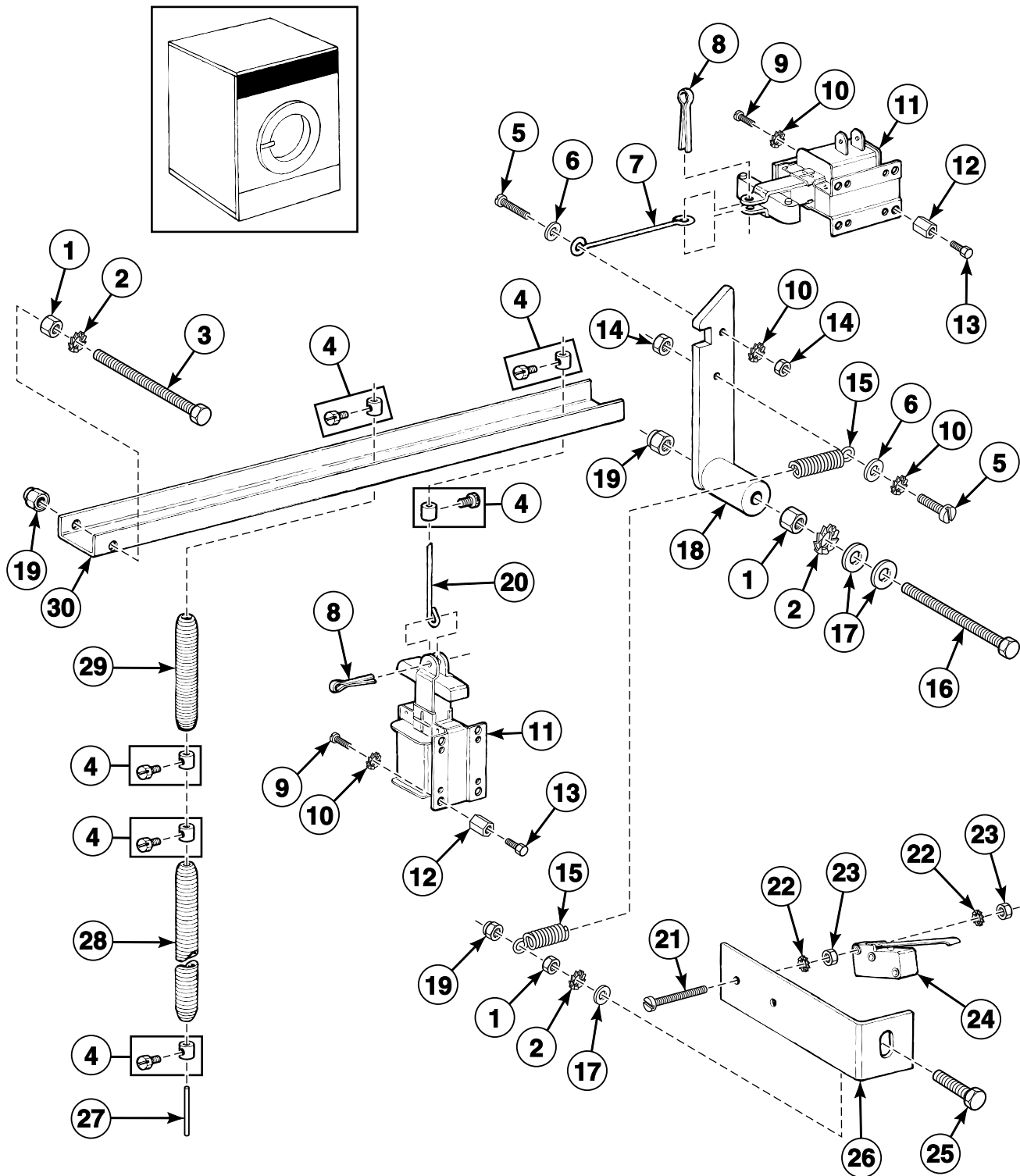


BE100049P_D0246

Door Lock - One Coil

REF	PART NO.	DESCRIPTION	COMMENTS
1	204/00005/00	Nut	
2	203/00004/00	Washer	
3	206/00012/00	Bolt	
4	208/00008/00	Clamp	
5	124/00004/00	Connection Rod	
6	209/00017/00	Door Interlock Coil	220 Volt/50 Hertz
	209/00018/00	Door Interlock Coil	220 Volt/60 Hertz
7	206/00021/00	Screw	
8	224/00006/00	Solenoid	
9	203/00006/00	Washer	
10	207/00004/00	Screw	
11	208/00003/00	Cotter Pin	
12	124/00005/00	Wire Bridge	
13	224/00007/00	Spring	
14	224/00008/00	Spring	
15	124/00002/00	Bridge	
16	204/00009/00	Nut	

Door Lock - Two Coils

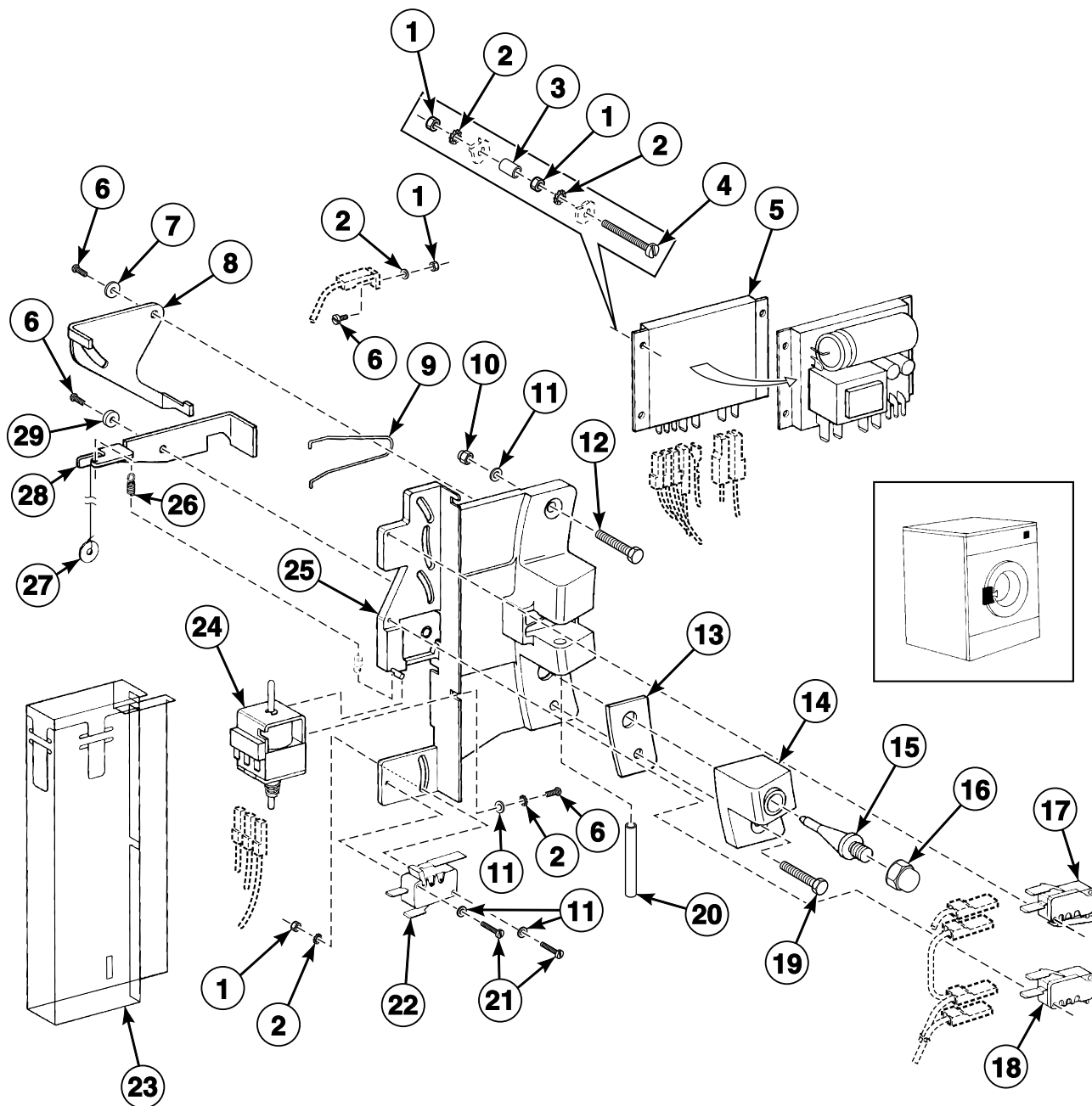


BE100050P_D0246

Door Lock - Two Coils

REF	PART NO.	DESCRIPTION	COMMENTS
1	204/00005/00	Nut	
2	203/00004/00	Washer	
3	206/00012/00	Bolt	
4	208/00008/00	Clamp	
5	207/00003/00	Screw	
6	202/00004/00	Washer	
7	124/00029/00	Unlatching Wire	
8	208/00003/00	Cotter Pin	
9	207/00004/00	Screw	
10	203/00006/00	Washer	
11	209/00017/00	Door Interlock Coil	220 Volt/50 Hertz
	209/00018/00	Door Interlock Coil	220 Volt/60 Hertz
12	224/00006/00	Solenoid	
13	206/00021/00	Screw	
14	204/00007/00	Nut	
15	224/00021/00	Lock Spring	
16	206/00011/00	Bolt	
17	202/00003/00	Washer	
18	124/00020/00	Lock	
19	204/00009/00	Nut	
20	124/00004/00	Connection Rod	
21	207/00006/00	Screw	
22	203/00007/00	Washer	
23	204/00008/00	Nut	
24	209/00145/00	Microswitch	
25	206/00015/00	Bolt	
26	124/00023/00	Assembly Plate	
27	124/00005/01	Wire Bridge Lock	
28	224/00007/00	Spring	
29	224/00008/00	Spring	
30	124/00019/00	Panel	

Door Lock - Electronic

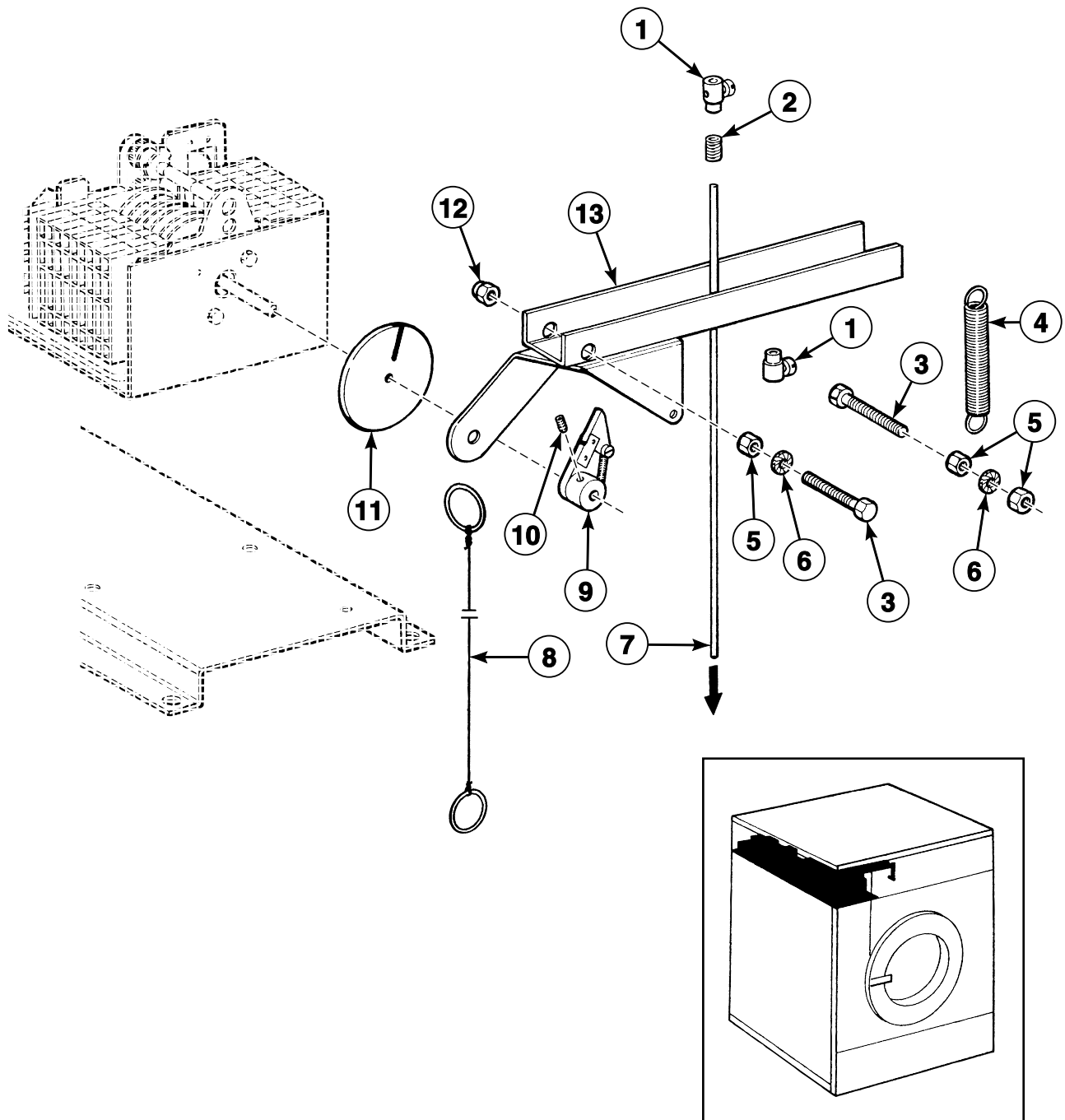


BE100052_D0246

Door Lock - Electronic

REF	PART NO.	DESCRIPTION	COMMENTS
1	204/00008/00	Nut	
2	203/00007/00	Washer	
3	211/00106/00	Spacer	
4	207/00006/00	Screw	
5	209/00275/04	Door Lock Board	
	209/00320/00	Filter	
6	207/00135/00	Screw	
7	201/00017/00	Washer	
8	217/00052/05	Switch Lever	
9	224/00040/00	Lever Spring	
10	204/00009/00	Nut	
11	201/00018/00	Washer	
12	205/00105/00	Bolt	
13	223/00136/00	Lock	
14	217/00052/02	Door Lock Pin Kit	
15	211/00109/00	Door Lock Pin Kit	
16	204/00103/00	Nut	
17	209/00271/00	Microswitch	
18	209/00272/00	Door Lock Microswitch	
19	205/00103/00	Bolt	
20	217/00017/03	Lock Shaft	
21	207/00109/00	Screw	
22	209/00273/00	Light Microswitch	
23	211/00110/00	Lock	
24	209/00274/00	Door Lock Solenoid	
25	217/00052/01	Door Lock Assembly	
26	224/00043/00	Interlock Coil Spring	
27	224/00015/00	Door Latch Cord	
28	217/00052/04	Interlock Lever	
29	217/00052/03	Door Lock Spacer	

Manual Door Unlock Components

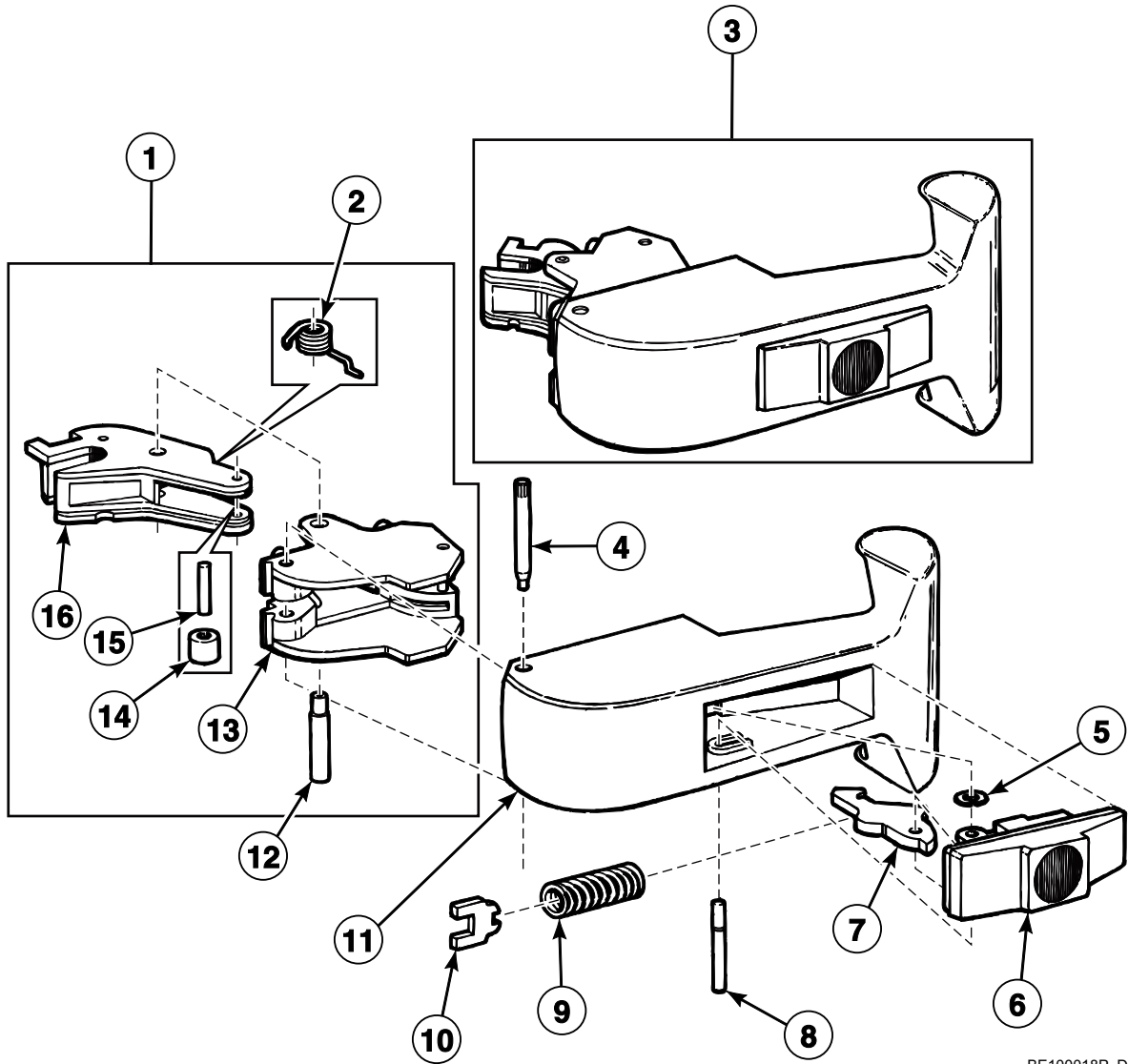


BE100051P_D0246

Manual Door Unlock Components

REF	PART NO.	DESCRIPTION	COMMENTS
1	208/00008/00	Clamp	
2	217/00020/00	Spring	
3	206/00012/00	Bolt	
4	224/00009/00	Door Lock Spring	
5	204/00005/00	Nut	
6	203/00004/00	Washer	
7	124/00005/01	Wire Bridge Lock	
8	224/00015/00	Door Latch Cord	
9	124/00010/00	Door Lock	
10	206/00018/00	Screw	
11	225/00001/00	Program Indicator	
12	204/00009/00	Nut	
13	124/00013/00	Bridge	

Door Handle

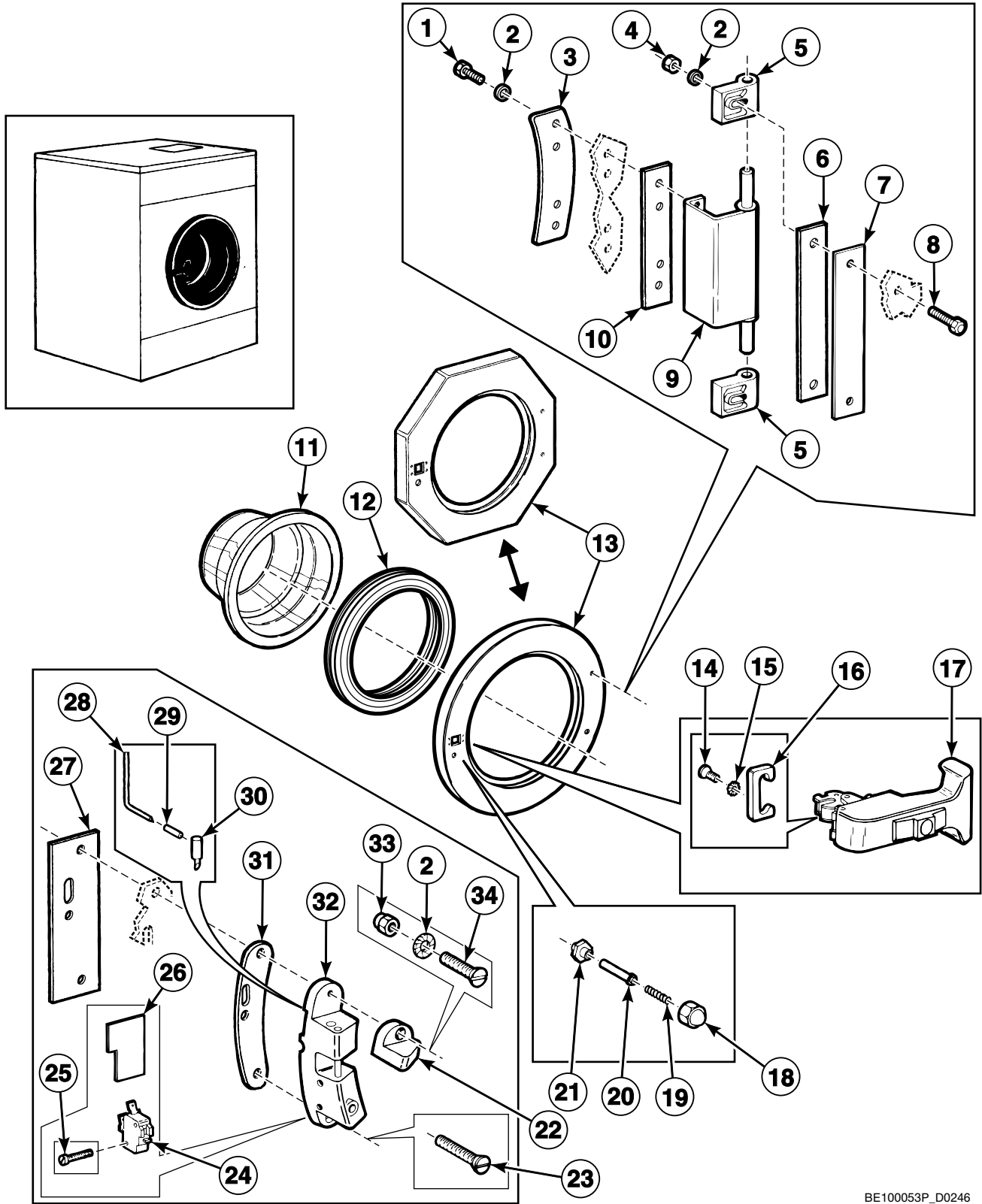


BE100018P_D0246

Door Handle

REF	PART NO.	DESCRIPTION	COMMENTS
1	217/00013/02	Door Handle	
2	217/00013/03	Door Lock Spring	
3	217/00051/00	Door Handle	
4	217/00013/09	Door Mounting Pin	
5	217/00013/11	Door Circlip	
6	217/00013/12	Door Handle	
7	217/00013/13	Door Handle Hook	
8	217/00013/15	Door Handle Locking Pin	
9	217/00013/14	Door Handle Spring	
10	217/00013/16	Door Handle Assembly Plate	
11	217/00051/10	Door Handle	
12	217/00013/08	Door Locking Pin	
13	217/00013/07	Door Locking Grip	
14	217/00013/06	Door Roller	
15	217/00013/05	Door Axle Roller	
16	217/00013/04	Door Handle Latch	

Door

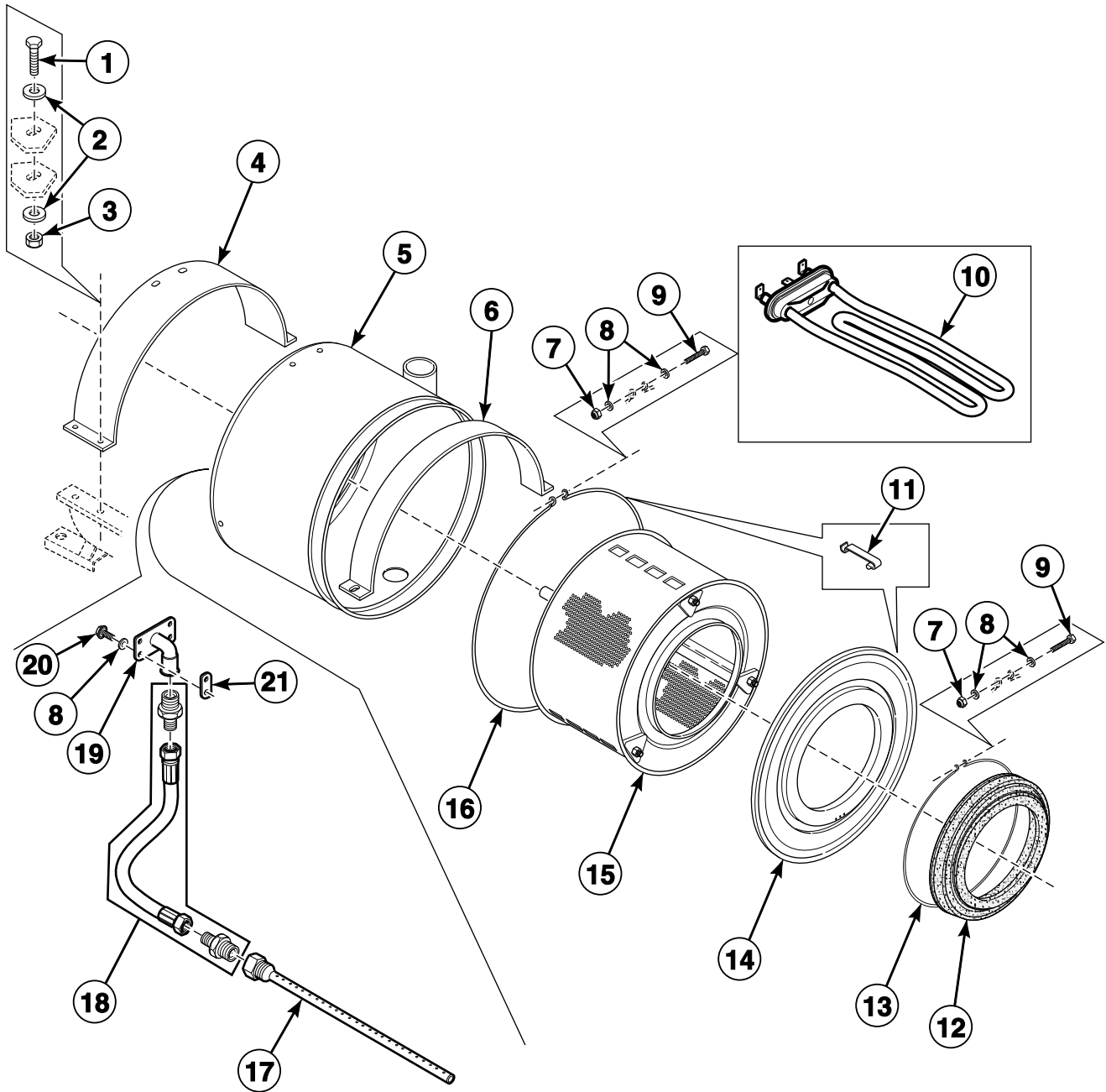


BE100053P_D0246

Door

REF	PART NO.	DESCRIPTION	COMMENTS
1	205/00107/00	Bolt	
2	202/00101/00	Washer	
3	218/00065/00	Door Hinge Assembly Plate	
4	204/00106/00	Nut	
5	217/00009/02	Door Hinge Assembly	
6	117/00010/00	Door Hinge Spacer	
7	117/00011/00	Door Hinge Spacer	
8	207/00116/00	Screw	
9	221/00005/00	Door Hinge	
10	223/00113/00	Seal	
11	217/00022/00	Door Glass	
12	217/00015/00	Door Glass Seal	
13	118/00046/10	Door Frame	Round
	118/00064/00	Door	Octagonal
14	B12500801	Screw	
15	203/00008/00	Washer	
16	217/00016/00	Door Handle Stop	
17	217/00051/00	Door Handle	
18	204/00103/00	Nut	
19	217/00020/00	Spring	
20	211/00105/00	Pin	
21	217/00019/00	Holder	
22	217/00017/02	Protection Block	
23	207/00102/00	Screw	
24	209/00023/00	Door Switch	
25	207/00109/00	Screw	
26	217/00038/00	Insulation Plate	
27	118/00067/00	Cover Plate	
28	124/00005/01	Wire Bridge Lock	
29	208/00004/00	Pin	
30	224/00003/00	Interlock Pin	
31	118/00066/00	Assembly Plate	Metal
	223/00114/00	Seal	Rubber
32	217/00017/00	Door Lock Assembly	
33	204/00009/00	Nut	
34	207/00115/00	Screw	

Basket, Shell, Electrical Heating Element and Steam Heat Injector

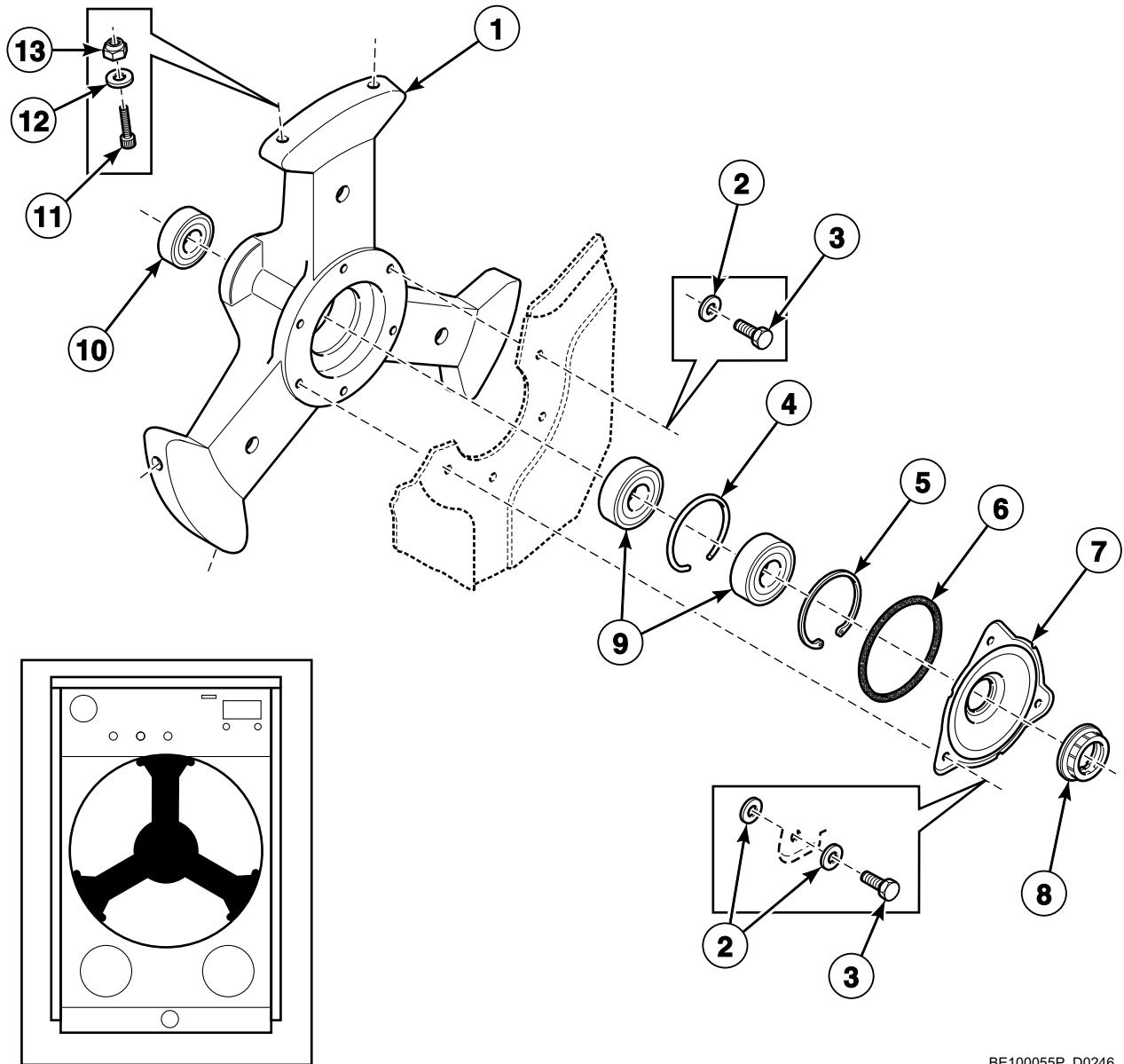


BE100054P_D0246

Basket, Shell, Electrical Heating Element and Steam Heat Injector

REF	PART NO.	DESCRIPTION	COMMENTS
1	206/00030/00	Bolt	
2	201/00010/00	Washer	
3	204/00110/00	Nut	
4	115/00111/00	Ring	
5	119/00052/00	Tub	*110 models; Boiler
	119/00053/00	Tub	*110 models; Electric heat
	119/00054/00	Tub	*110 models; Steam heat
	119/00055/00	Tub	*110 models; Electric and steam heat
	119/00056/00	Tub	*132 models; Boiler
	119/00057/00	Tub	*132 models; Electric heat
	119/00058/00	Tub	*132 models; Steam heat
	119/00059/00	Tub	*132 models; Electric and steam heat
	119/00060/00	Tub	*165 models; Boiler
	119/00061/00	Tub	*165 models; Electric heat
	119/00062/00	Tub	*165 models; Steam heat
	119/00063/00	Tub	*165 models; Electric and steam heat
6	115/00110/00	Ring	
7	204/00009/00	Nut	
8	202/00003/00	Washer	
9	206/00011/00	Bolt	
10	209/00116/01	Heating Element	1400W; 220 Volt
	209/00024/01	Heating Element	2000W; 220 Volt
	209/00049/01	Heating Element	3000W; 220 Volt
	209/00050/01	Heating Element	4000W; 380 Volt
11	217/00008/00	Tub Front Panel Clip	
12	223/00122/00	Door Boot	
13	238/00017/00	Boot and Clamp Assembly	
14	119/00049/00	Tub Front Panel	
15	123/00003/00	Drum and Axle	*110 models
	122/00028/00	Drum and Axle	*110 models
	136/10017/00	Drum and Axle	*132 models
	122/10030/00	Drum and Axle	*132 models
	122/10029/00	Drum and Axle	*165 models
	111/01962/00	Cylinder and Trunnion Assembly	*165 models
16	219/00007/00	Tub Front Ring Clamp	
17	118/00062/00	Steam Injector	
18	217/00025/00	Steam Hose	
19	118/00063/00	Steam Hose Connector	
20	206/00013/00	Bolt	
21	118/00063/01	Steam Connection Plate	

Bearing Housing

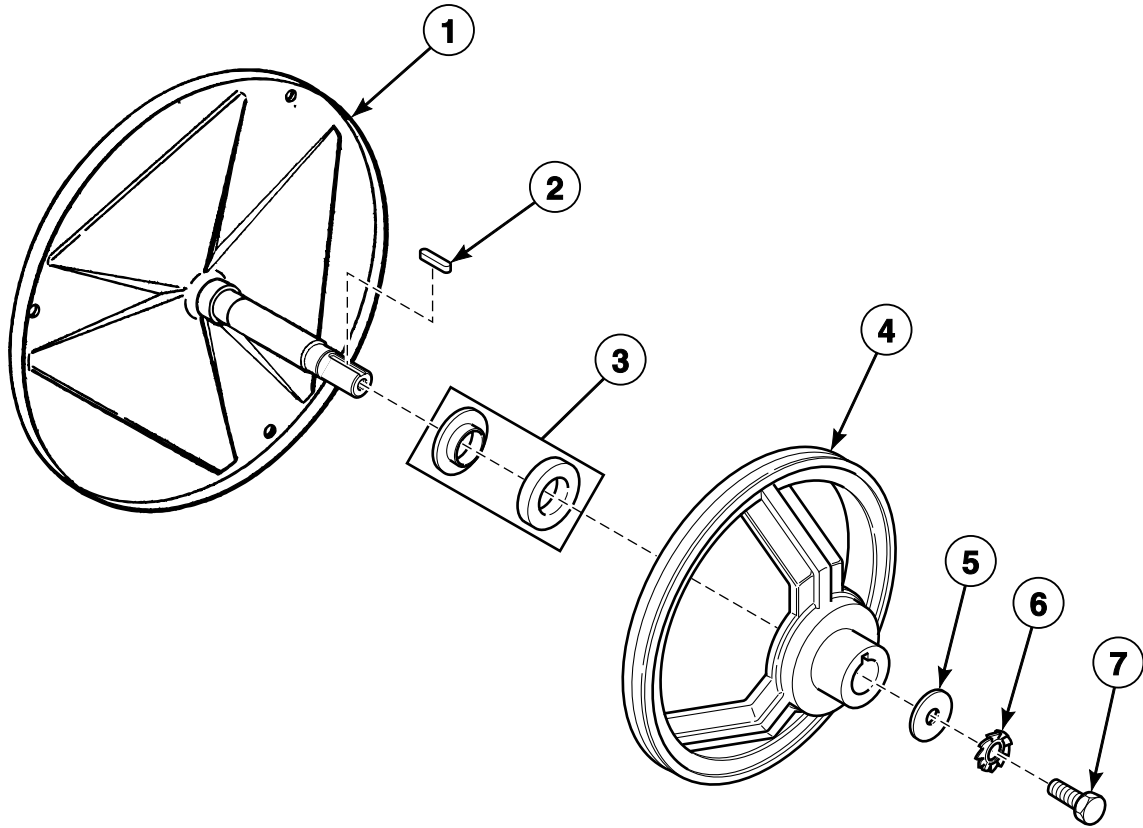


BE100055P_D0246

Bearing Housing

REF	PART NO.	DESCRIPTION	COMMENTS
1	116/00101/00	Bearing Housing	
2	201/00201/00	Washer	
3	205/00102/00	Bolt	
4	212/00031/00	Retainer Ring	
5	212/00029/00	Retainer Ring	
6	217/00002/00	O-Ring	
7	119/00001/00	Seal Plate	
8	219/00003/00	Shaft Seal	
9	216/00001/03	Ball Bearing	
10	216/00001/02	Ball Bearing	
11	206/00057/00	Screw	
12	201/00012/00	Washer	
13	204/00112/00	Nut	

Basket and Pulley

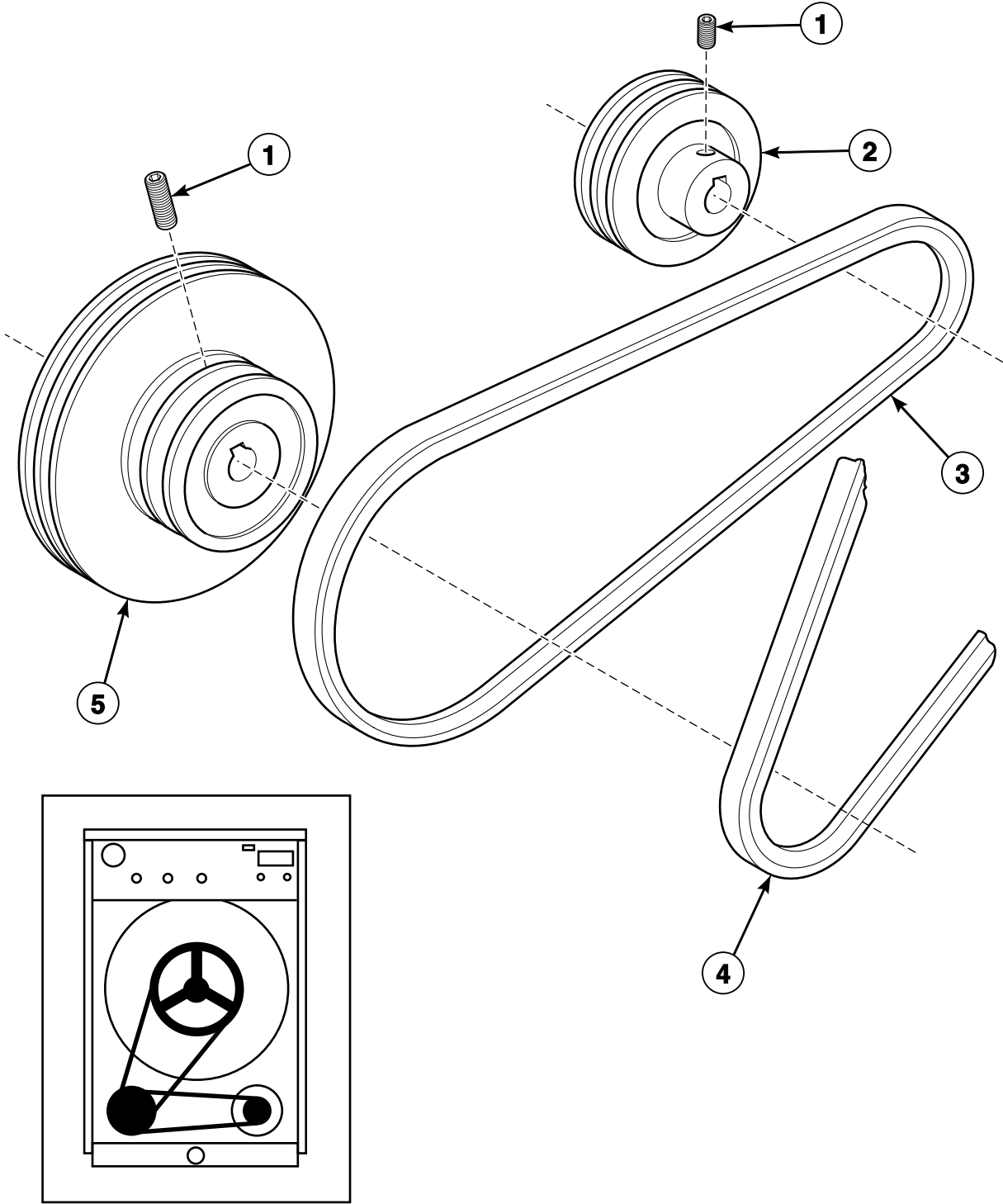


BE100056P_D0246

Basket and Pulley

REF	PART NO.	DESCRIPTION	COMMENTS
1	122/00018/02	Trunnion Assembly	
2	216/00002/04	Cylinder Shaft Key	
3	219/00004/00	Counter Ring	
4	226/00070/00	Pulley	
5	201/00003/00	Washer	
6	203/00001/00	Washer	
7	206/00004/00	Bolt	

Pulley and Belt

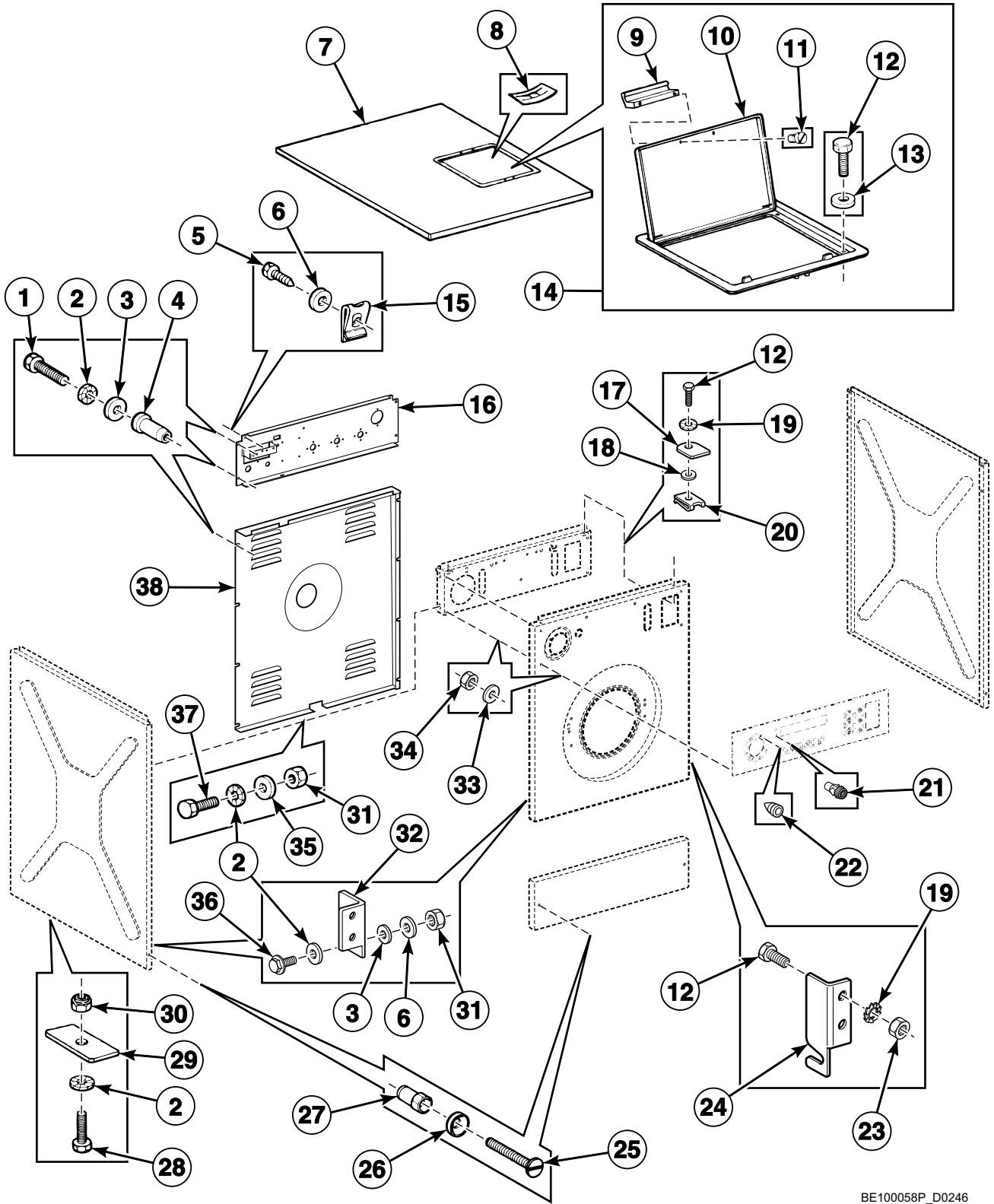


BE100057P_D0246

Pulley and Belt

REF	PART NO.	DESCRIPTION	COMMENTS
1	206/00048/00	Screw	
2	239/00012/00	Pulley	
3	226/00094/00	Belt	
4	226/00096/00	Belt	50 Hertz
	226/00082/00	Belt	60 Hertz
5	226/00080/00	Pulley	
	226/00081/00	Pulley	

Top and Back Panels

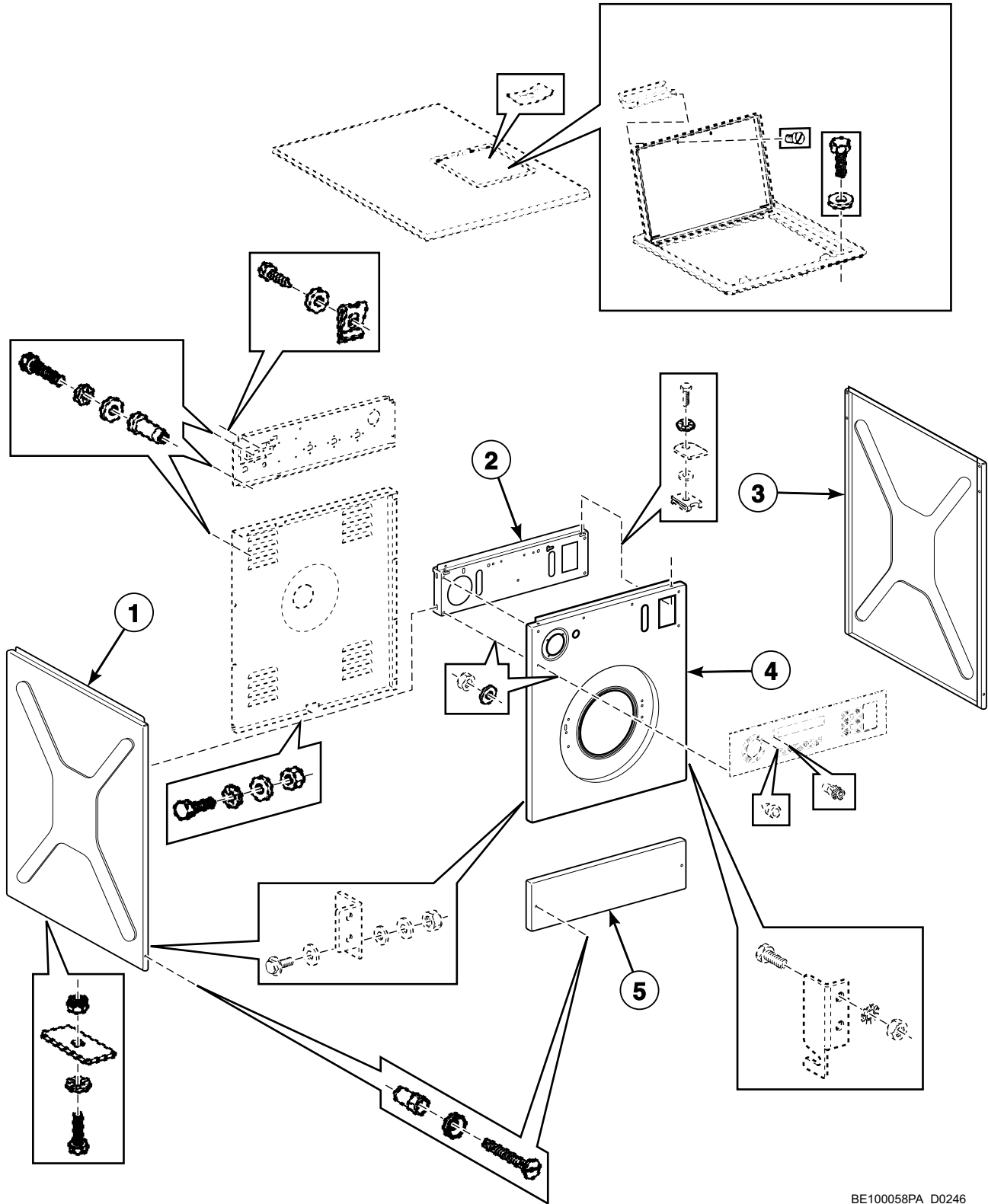


BE100058P_D0246

Top and Back Panels

REF	PART NO.	DESCRIPTION	COMMENTS
1	206/00014/00	Bolt	
2	203/00004/00	Washer	
3	201/00007/00	Washer	
4	204/00301/00	Bushing	
5	208/00001/00	Screw	
6	201/00006/00	Washer	
7	111/32741/00	Top Panel	*110 and *132 models
	111/32742/00	Top Panel	*165 models
	111/32741/BO	Top Panel	*110 and *132 models; Lock
	111/32742/BO	Top Panel	*165 models; Lock
	111/32743/00	Top Panel	*110 and *132 models; White
	111/32745/00	Top Panel	*165 models; White
	111/32744/00	Top Panel	*110 and *132 models; Orange
	111/32746/00	Top Panel	*165 models; Orange
8	208/00104/00	Nut	
9	223/00008/05	Soap Dispenser Cover Handle	
10	123/00103/01	Soap Dispenser Cover	
	223/00103/02	Soap Dispenser Frame	
	123/00103/03	Soap Dispenser Cover Hinge	
11	207/00133/00	Screw	
12	205/00106/00	Bolt	
13	202/00101/00	Washer	
14	223/00103/00	Soap Dispenser Cover	
15	208/00002/00	Nut	
16	111/32104/00	Rear Bridge	
17	117/00042/00	Retaining Ring	
18	202/00103/00	Washer	
19	203/00005/00	Washer	
20	204/00013/00	Nut	
21	209/00152/00	Lens Cover	
22	225/10023/00	Fastener	
23	204/00107/00	Nut	
24	111/00002/00	Hook	
25	207/00101/00	Screw	
26	206/00009/00	Bolt	
27	204/00011/00	Nut	
28	205/00105/00	Bolt	
29	101/00007/00	Outlet Pipe Plate Assembly	
30	204/00106/00	Nut	
31	204/00005/00	Nut	
32	111/00001/00	Hook	
33	203/00006/00	Washer	Lock
	201/00008/00	Washer	Flat
34	204/00007/00	Nut	
35	202/00003/00	Washer	
36	205/00104/00	Bolt	
37	206/00015/00	Bolt	
38	111/00123/BO	Rear Panel	

Front and Side Panels

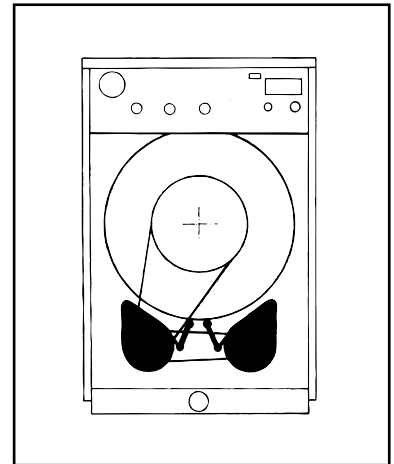
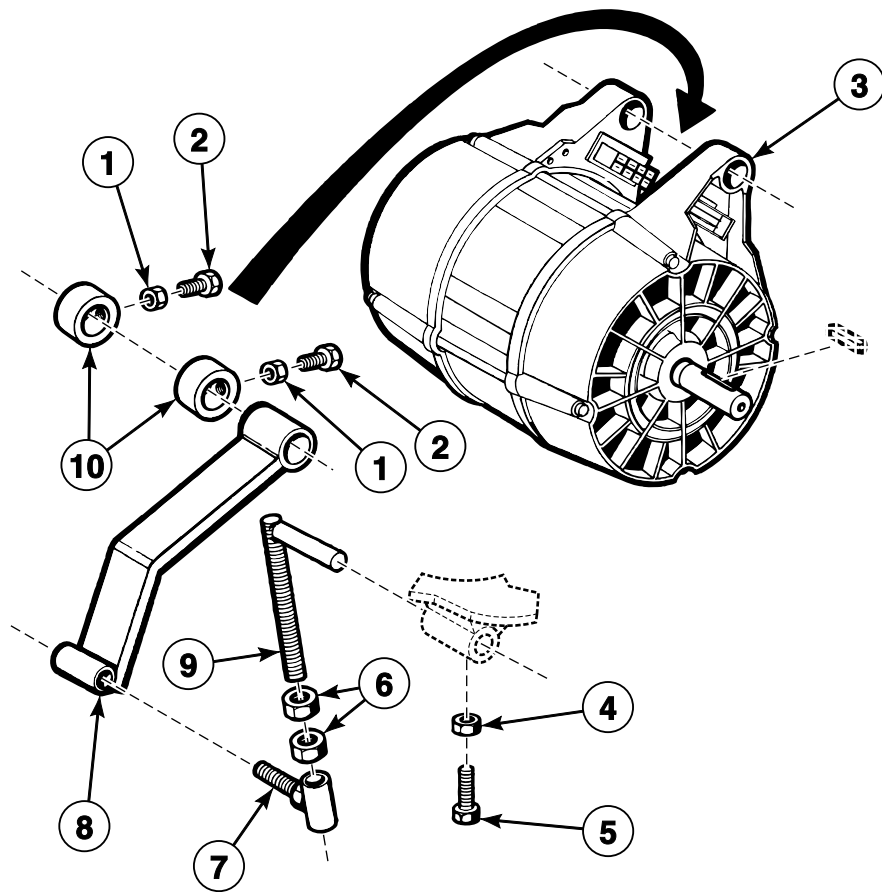


BE100058PA_D0246

Front and Side Panels

REF	PART NO.	DESCRIPTION	COMMENTS	
1	111/32725/00	Side Panel	*110 and *132 models	
	111/32726/00	Side Panel	*165 models	
2	111/32702/00	Front Bridge	Ramstetter control	
	111/32704/00	Front Panel	OPL models	
	111/31109/00	Front Bridge	Fiber control	
	111/00144/00	Front Panel	PC20 control	
	111/31107/00	Front Panel	PLC9 control	
	3	111/32725/00	Side Panel	*110 and *132 models
111/32726/00		Side Panel	*165 models	
4	111/32711/00	Front Panel	OPL models; Round; Stainless steel	
	111/32712/00	Front Panel	Coin models; Round; Stainless steel	
	111/32714/00	Front Panel	Ramstetter control; Round; Stainless steel	
	111/32215/00	Front Panel	OPL models; Round; White	
	111/32217/00	Front Panel	Coin models; Round; White	
	111/32415/00	Front Panel	OPL models; Round; Orange	
	111/32417/00	Front Panel	Coin models; Round; Orange	
	111/32418/00	Front Panel	Coin models; Octagonal; Orange	
	111/32218/00	Front Panel	Coin models; Octagonal; White	
	111/32216/00	Front Panel	OPL models; Octagonal; White	
	111/32753/00	Front Panel	Ramstetter control; Octagonal; Stainless steel	
	111/32752/00	Front Panel	Coin models; Octagonal; Stainless steel	
	111/32751/00	Front Panel	OPL models; Octagonal; Stainless steel	
	111/32416/00	Front Panel	OPL models; Octagonal; Orange	
	111/32550/00	Front Panel	Fiber control; Round lock; Stainless steel	
	111/32539/00	Front Panel	Coin models; Octagonal lock; Orange	
	111/32546/00	Front Panel	Coin models; Round lock; White	
	111/32545/00	Front Panel	OPL models; Octagonal lock; White	
	111/32544/00	Front Panel	OPL models; Round lock; White	
	111/32531/00	Front Panel	Ramstetter control; Octagonal lock	
	111/32503/00	Front Panel	PLC9 control; Octagonal lock; Stainless steel	
	111/32528/00	Front Panel	Coin models; Round lock; Stainless steel	
	111/32755/00	Front Panel	Fiber control; Octagonal; Stainless steel	
	111/32754/00	Front Panel	Fiber control; Round; Stainless steel	
	111/32717/00	Front Panel	PLC9 control; Octagonal; Stainless steel	
	111/32716/00	Front Panel	PLC9 control; Round; Stainless steel	
	111/32502/00	Front Panel	PLC9 control; Round lock; Stainless steel	
	111/32537/00	Front Panel	OPL models; Octagonal lock; Orange	
	111/32536/00	Front Panel	OPL models; Round lock; Orange	
	111/32527/00	Front Panel	OPL models; Octagonal lock; Stainless steel	
	111/32526/00	Front Panel	OPL models; Round lock; Stainless steel	
	111/32551/00	Front Panel	Fiber control; Octagonal lock; Stainless steel	
	111/32530/00	Front Panel	Ramstetter control; Round lock; Stainless steel	
	111/32529/00	Front Panel	Coin models; Octagonal lock; Stainless steel	
	111/32538/00	Front Panel	Coin models; Round lock; Orange	
	111/32547/00	Front Panel	Coin models; Octagonal lock; White	
	5	111/32731/00	Lower Front Panel	Stainless steel
		111/32231/01	Lower Front Panel	White
		111/32431/01	Lower Front Panel	Orange

Motor

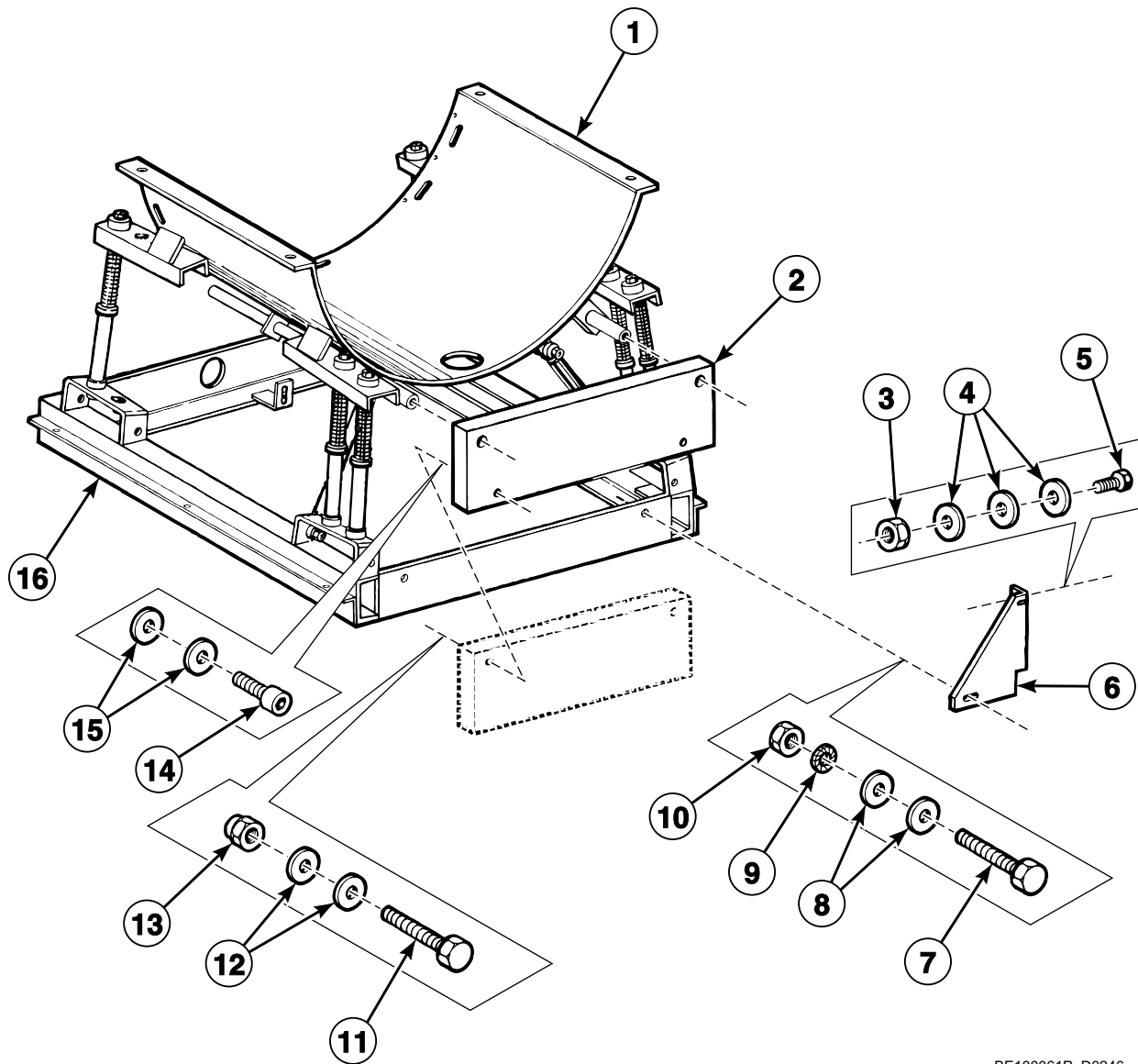


BE100060P_D0246

Motor

REF	PART NO.	DESCRIPTION	COMMENTS
1	204/00004/00	Nut	
2	206/00042/00	Bolt	
3	228/00007/01	Motor	200 Volt/50 Hertz; 132D/2-18-2T-2572
	228/00110/01	Motor	200 Volt/60 Hertz; 132D/2-18-21-2572
	228/00107/01	Motor	208-240 Volt/60 Hertz; 132C/3228
	228/00105/01	Motor	208-240 Volt/60 Hertz; 132D/2572
	228/00001/01	Motor	220 or 380 Volt/50 Hertz; 132C/3229
	228/00004/01	Motor	220 or 380 Volt/50 Hertz; 132D/2573
	228/00002/01	Motor	380-415 Volt/50 Hertz; 132C/3228
	228/00005/01	Motor	400-440 Volt/50 Hertz; 132D/2572
4	204/00005/00	Nut	
5	206/00014/00	Bolt	
6	204/00012/00	Nut	
7	113/00045/00	Rod	
8	113/00033/00	Belt	
9	113/00038/00	Belt Rod	
10	226/00069/00	Safety Ring	

Frame - *110 Models

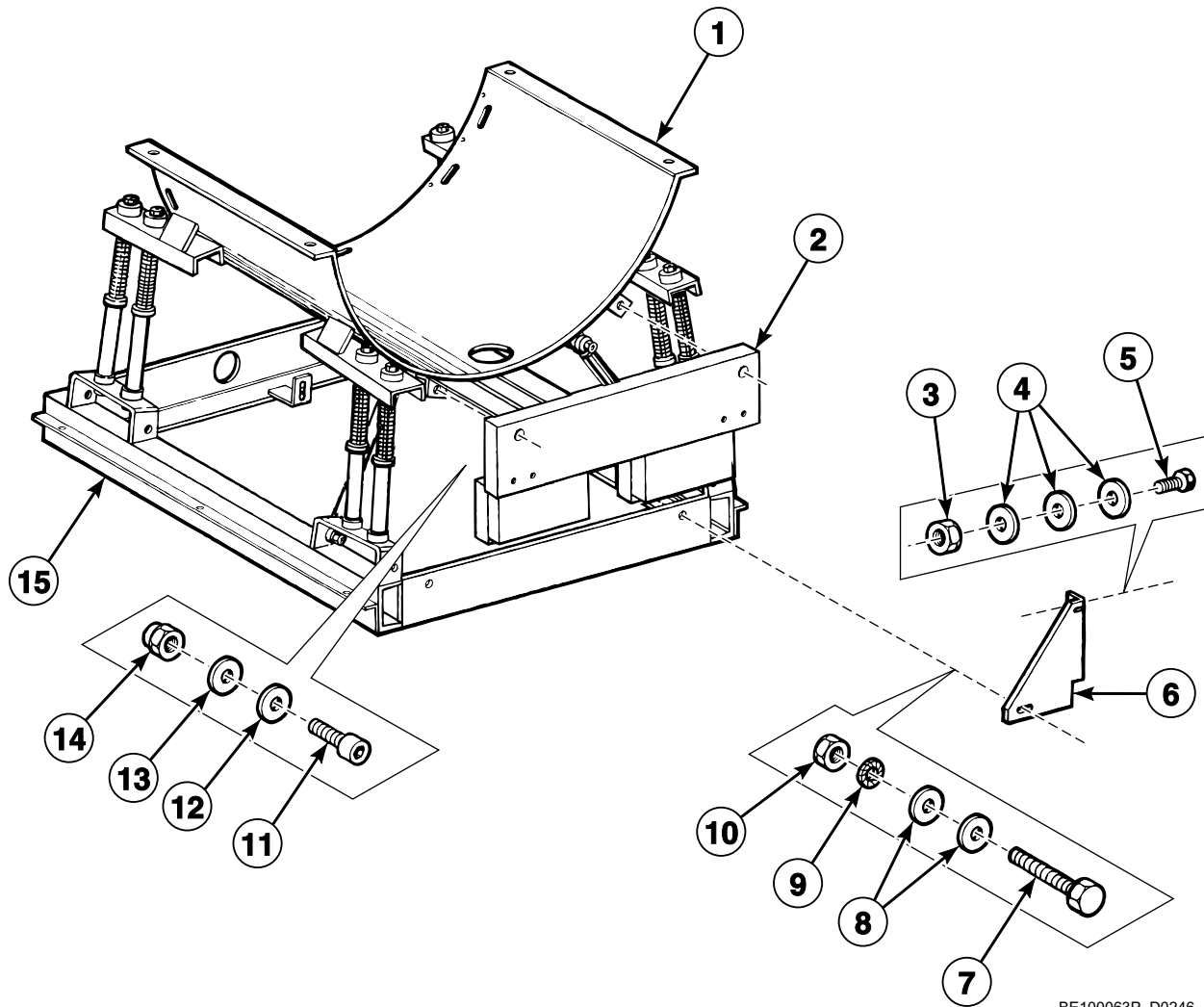


BE100061P_D0246

Frame - *110 Models

REF	PART NO.	DESCRIPTION	COMMENTS
1	115/00103/00	Shell	
2	113/00036/00	Counterweight	
3	204/00106/00	Nut	
4	201/00006/00	Washer	Flat; 6.3 x 20 x 2 mm
	201/00007/00	Washer	Flat; 6.5 x 16 x 2 mm
	203/00004/00	Washer	Lock
5	205/00104/00	Bolt	
6	111/00109/00	Triangle Support	Right
	111/00118/00	Triangle Support	Left
7	206/00030/00	Bolt	
8	201/00010/00	Washer	
9	203/00002/00	Washer	
10	204/00003/00	Nut	
11	206/00047/00	Bolt	
12	201/00001/00	Washer	
13	204/00113/00	Nut	
14	206/00064/00	Screw	
15	201/00013/00	Washer	
	201/00014/00	Washer	
16	114/00015/00	Base	

Frame - *132 and *165 Models

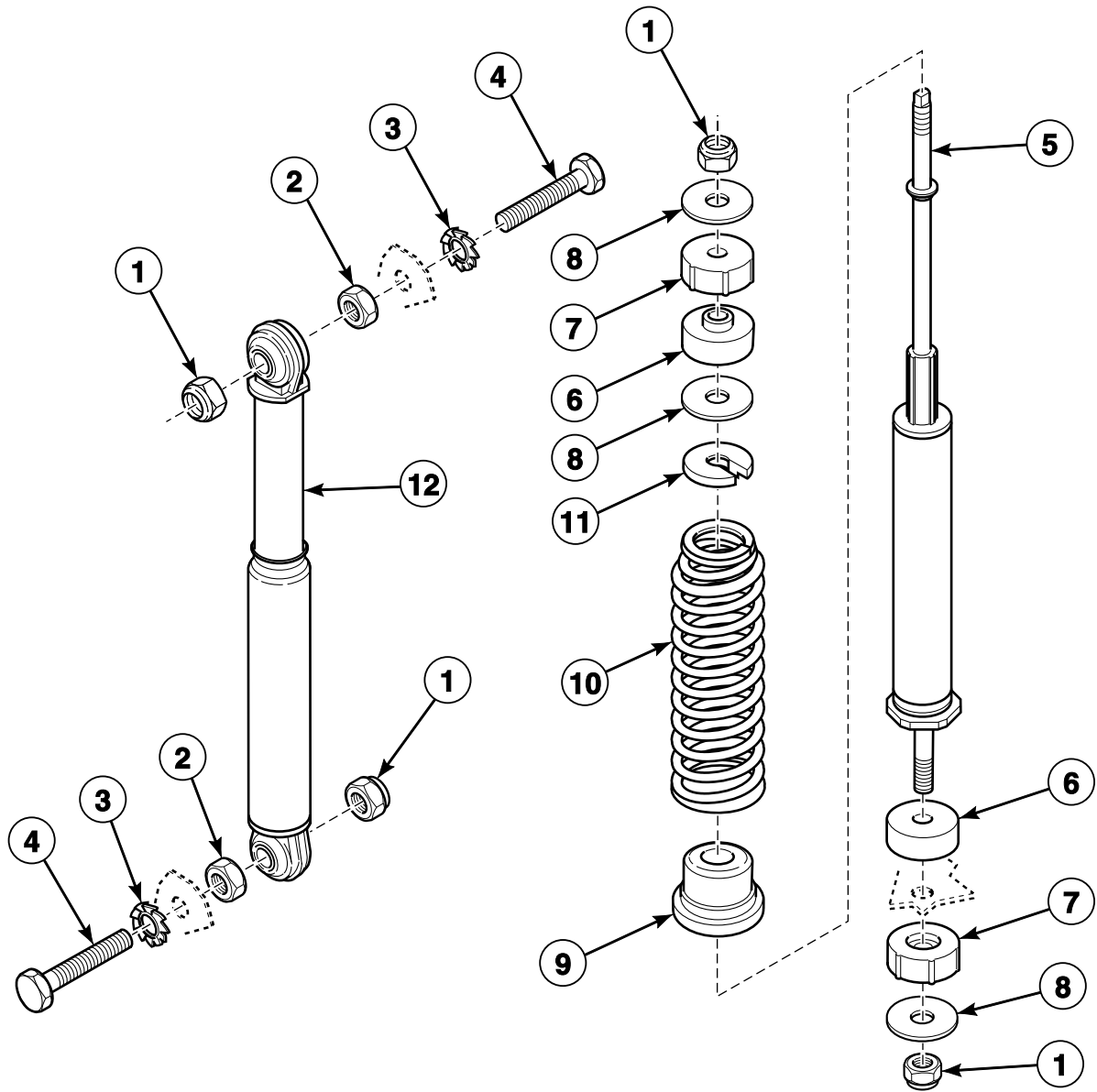


BE100063P_D0246

Frame - *132 and *165 Models

REF	PART NO.	DESCRIPTION	COMMENTS
1	115/00104/00	Shell	*165 models
	115/00107/00	Shell	*132 models
2	115/00152/00	Counterweight	
3	204/00106/00	Nut	
4	201/00007/00	Washer	Flat; 6.5 x 16 x 2 mm
	203/00004/00	Washer	Lock
	201/00006/00	Washer	Flat; 6.3 x 20 x 2 mm
5	205/00104/00	Bolt	
6	111/00109/00	Triangle Support	Right
	111/00118/00	Triangle Support	Left
7	206/00030/00	Bolt	
8	201/00010/00	Washer	
9	203/00002/00	Washer	
10	204/00003/00	Nut	
11	206/00064/00	Screw	
12	201/00014/00	Washer	
13	201/00013/00	Washer	
14	204/00112/00	Nut	
15	114/00015/00	Base	*132 models
	114/00016/00	Base	*165 models

Shock Absorber

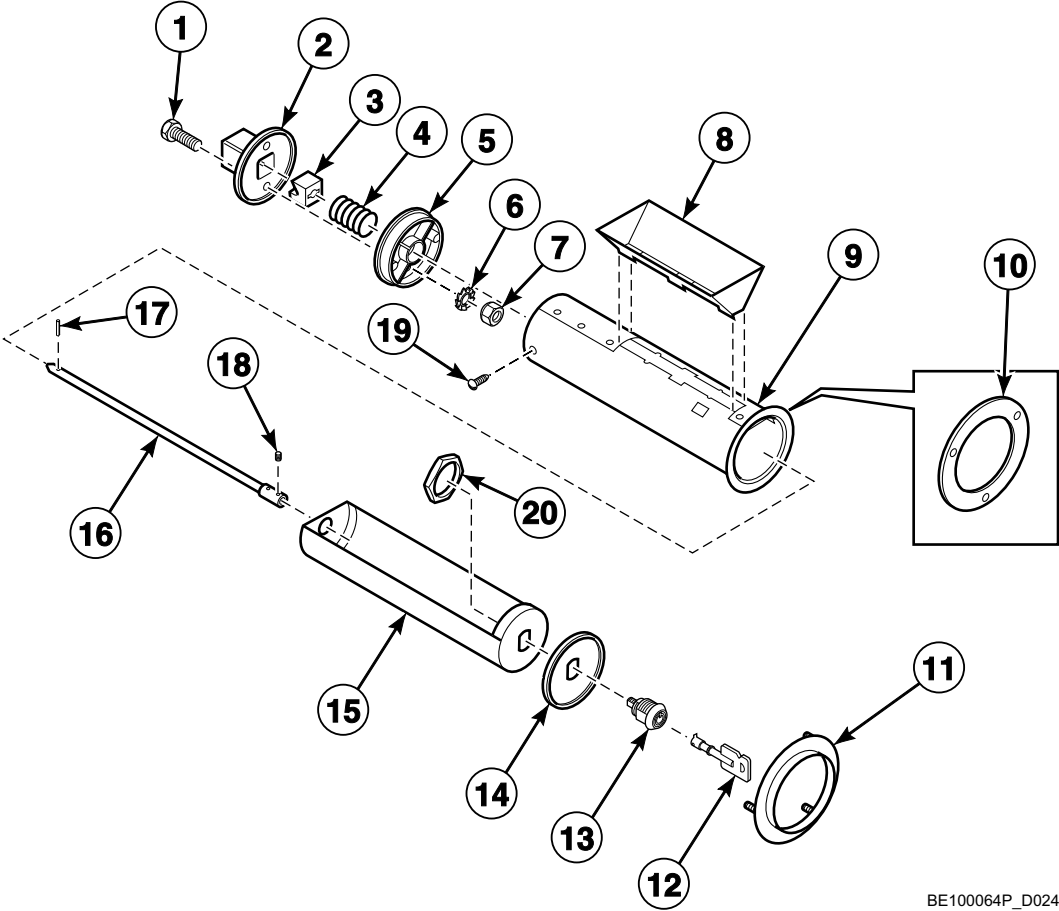


BE100062P_D0246

Shock Absorber

REF	PART NO.	DESCRIPTION	COMMENTS
1	204/00110/00	Nut	
2	204/00003/00	Nut	
3	203/00002/00	Washer	
4	206/00030/00	Bolt	
5	247/00002/02	Shock Absorber	
6	247/00006/00	Fastening Rubber	
7	247/00007/00	Fastening Rubber	
8	201/00015/00	Washer	
9	247/00001/03	Spring Seat Bottom	
10	247/00001/01	Suspension Spring	Black; 4.8 mm diameter
	247/00002/01	Suspension Spring	Blue; 5.5 mm diameter
11	247/00001/04	Spring Holder Top	
12	247/00004/00	Shock Absorber	

Coin Vault

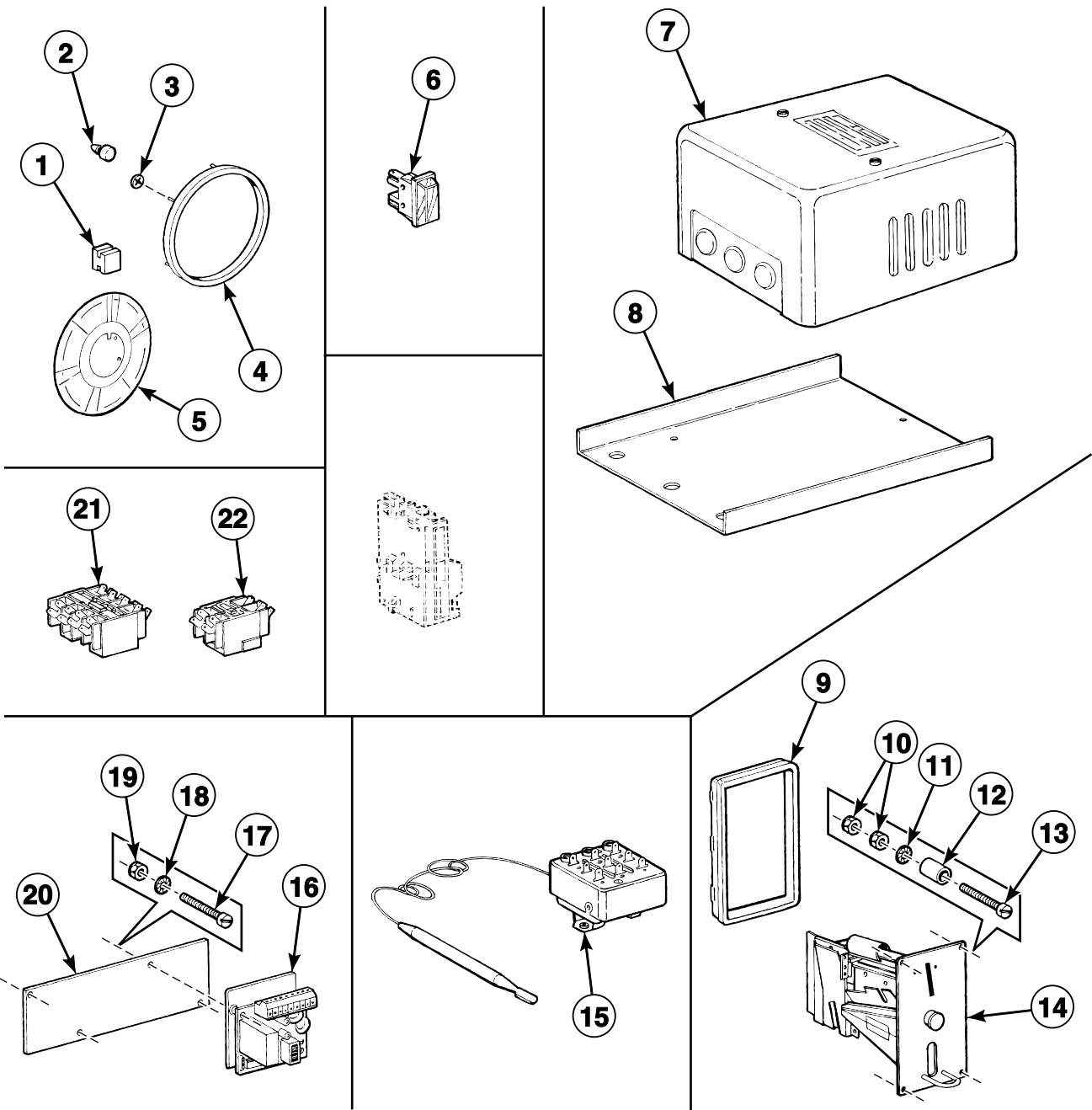


BE100064P_D0246

Coin Vault

REF	PART NO.	DESCRIPTION	COMMENTS
1	206/00033/00	Bolt	
2	211/00070/01	Outer Cabinet Lock	
3	211/00070/02	Washer	
4	211/00070/04	Spring	
5	211/00070/03	Inner Coin Box	
6	203/00004/00	Washer	
7	204/00005/00	Nut	
8	211/00071/00	Coin Box	
9	211/00100/00	Outer Coin Box	
10	111/00100/00	Coin Box Ring Assembly	
11	111/00066/00	Coin Box Ring	
12	211/00065/02	Coin Box Key	
13	211/00065/00	Coin Box Lock	
14	111/00068/00	Front Plate	
15	111/00067/00	Coin Box	
16	111/00069/00	Spindle	
17	208/00013/00	Roll Pin	
18	206/00038/00	Screw	
19	208/00007/00	Screw	
20	211/00065/01	Nut	

Coin Meter and Transformer



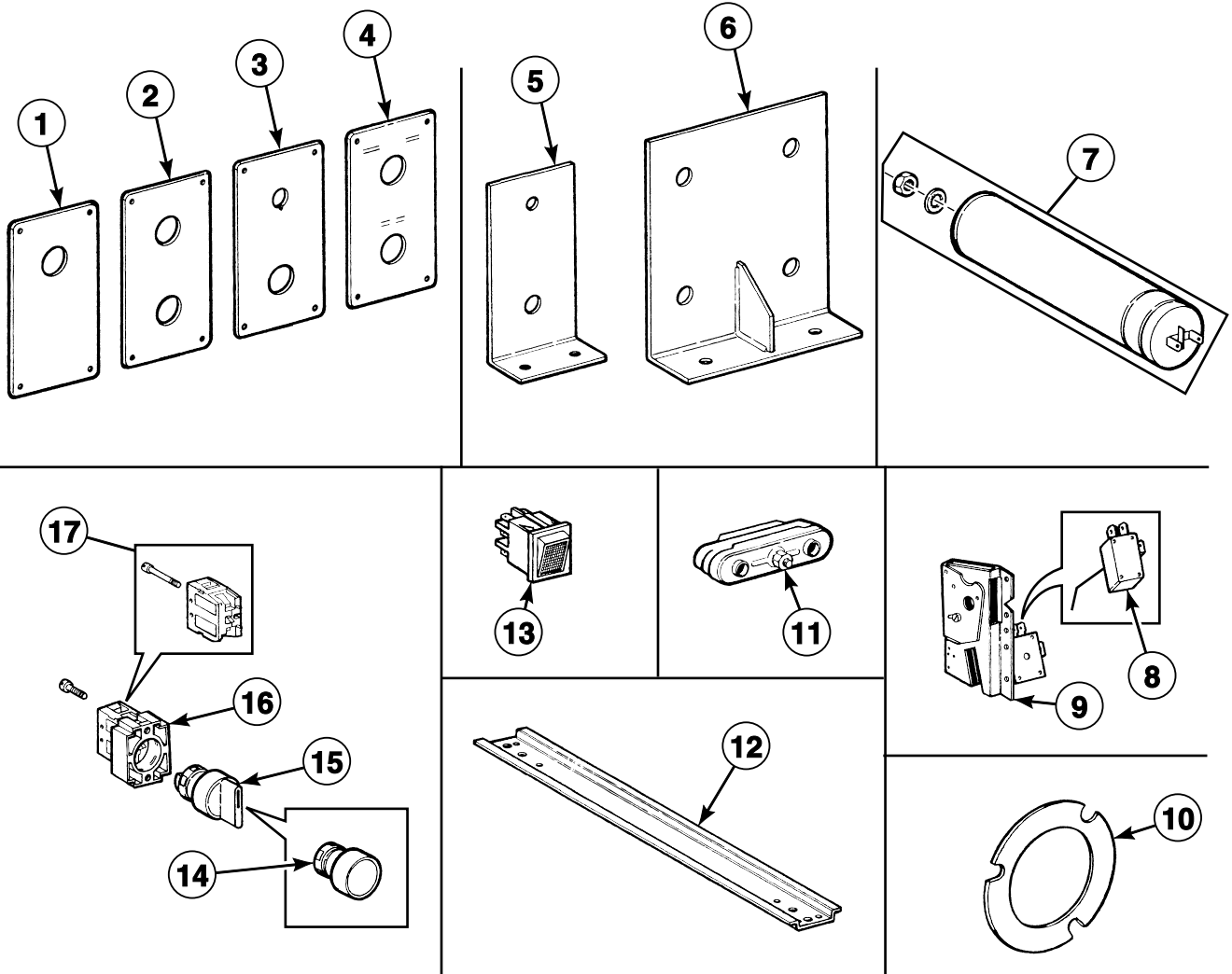
BE100065P_D0246

Coin Meter and Transformer

REF	PART NO.	DESCRIPTION	COMMENTS
1	223/00053/00	Fastening Rubber	
2	225/10023/00	Fastener	
3	208/00010/00	Washer	
4	225/00014/00	Ring	
5	225/10000/00	Program Indicator	
6	209/00125/00	Button	
7	209/00311/00	Transformer	
8	111/00075/00	Assembly Plate	
9	225/00020/00	Coin Meter Frame	
10	204/00008/00	Nut	
11	203/00007/00	Washer	
12	211/00050/00	Mounting Assembly	
13	207/00108/00	Screw	
14	209/00060/00	Coin Drop	Token; 5K
	209/00061/00	Coin Meter	Token; 7K
	209/00069/00	Coin Meter	Token; 12K
	209/00070/00	Coin Meter	Token; 15K
	209/00117/00	Coin Meter	20 BF/5 BF
	209/00305/00	Coin Meter	20 BF/50 BF
	209/00063/00	Coin Meter	5 BF or 1 FF
	209/00270/00	Coin Meter	10 FF/1 FF
	209/00237/00	Coin Meter	10 FF/2 FF
	209/00289/00	Coin Meter	10 FF/5 FF
	209/00064/00	Coin Meter	Australia; .20
	209/00111/00	Coin Meter	\$0.25
	209/00216/00	Coin Meter	100 yen
	209/00278/00	Coin Meter	100 yen and 500 yen
	209/00156/00	Coin Meter	Token; Gettone per
	209/00068/00	Coin Meter	Token; 10K
15	209/00054/00	Thermostat	
16	209/00113/00	Electronic Stepper	
17	207/00009/00	Screw	
18	203/00007/00	Washer	
19	204/00008/00	Nut	
20	111/00095/00	Assembly Plate	
21	N/A	Connector	
22	N/A	Connector	

N/A = Part no longer available

Coin Meter and Heating Element Plug



BE100066P_D0246

Coin Meter and Heating Element Plug

REF	PART NO.	DESCRIPTION	COMMENTS
1	211/10131/00	Front Plate	
2	211/10132/00	Front Plate	
3	211/10133/00	Front Plate	
4	211/10134/00	Front Plate	
5	N/A	Assembly Plate	
6	N/A	Assembly Plate	
7	N/A	Capacitor	
8	209/00060/12	Coin Drop Microswitch	
9	211/10125/00	Coin Meter	Stacker; 5FF
	211/10126/00	Coin Meter	Stacker; 5BF
	211/10142/00	Coin Meter	Stacker; 10K
	211/10123/00	Coin Meter	Stacker; 10FF
	211/10124/00	Coin Meter	Stacker; 5K
	211/10145/00	Coin Meter	Stacker; 2FF
	211/10144/00	Coin Meter	Stacker; 12K
	211/10128/00	Stacker	Drop shaft coin meter; Right
	211/10127/00	Stacker	Drop shaft coin meter; Left
10	211/00051/00	Rubber Seal	
11	209/00196/00	Heating Element Plug	
12	N/A	Rail	
13	209/00181/00	Button	
14	209/00099/03	Button	ZB2-BA3; Green
	209/00099/04	Button	ZB2-BA4; Red
15	209/00099/08	Button	ZB2-BD5
	209/00099/09	Button	ZB2-BD2
16	209/00132/00	Protector	
17	209/00099/06	Contact Switch	ZB2-BE102
	209/00099/07	Contact Switch	ZB2-BE101

N/A = Part no longer available