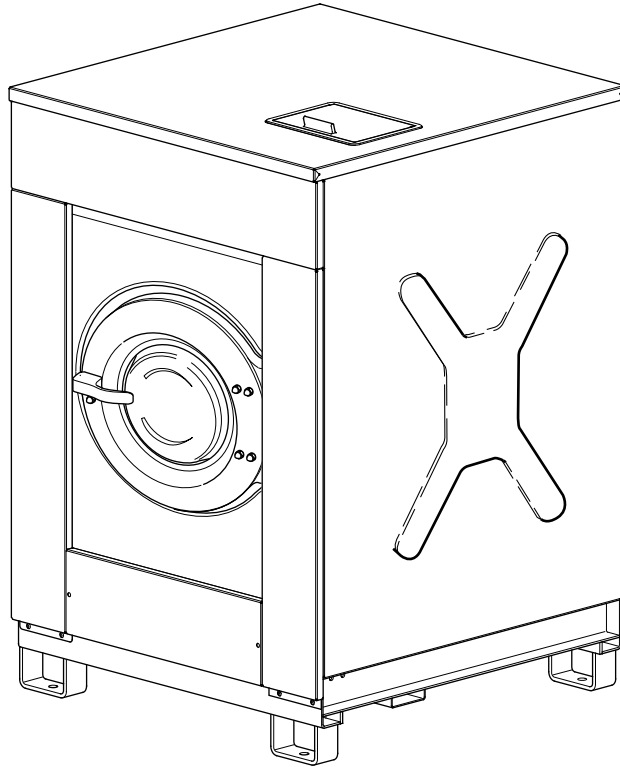


Washer-Extractor

Cabinet Freestanding
Refer to Page 5 for Model Numbers



CFD22C_D0901



Model Identification

Information in this manual is applicable to these washer-extractor models:

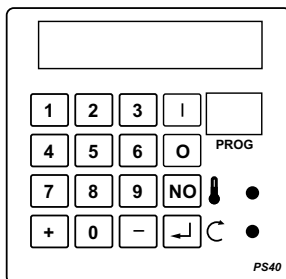
HF145_CAM-TIMER
HF145_MICRO-20_COIN
HF145_MICRO-20_OPL
HF145_PC30
HF145_PS40
HF145_PS40F
HF145_SIGMA_COIN
HF145_SIGMA_OPL

HF205_CAM-TIMER
HF205_MICRO-20_COIN
HF205_MICRO-20_OPL
HF205_PC30
HF205_PS40
HF205_PS40F
HF205_SIGMA_COIN
HF205_SIGMA_OPL

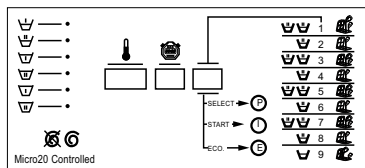
Cabinet Freestanding Washer-Extractor Product Overview

Type:	HF145P	Nr:	07110580147
Voltage:	3 ~ 380V 50Hz	Weight:	1787 kg
Motor:	7.5 kW 20 A	Capacity:	575 L
Heating:	36 kW 60 A	Dry Load:	57 kg
Total:	43.50 kW	Drum:	980 mm
Kinetic energy:	23257N/M	Speed:	800 rpm
Manufactured in:	2007		
Water Pressure: min. 2.07 max. 5.86 Kg/cm ² IPX4 min. 20.7 max. 58.6 N/cm ²			
sfc 741295			
 Alliance International BVBA Nieuwstraat 146 8560 Wevelgem Belgium Tel: +32 56 41 20 54 Fax: +32 56 41 86 74 www.ipso.be			

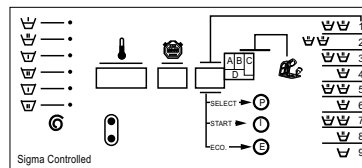
Label 1



PS40



Micro 20



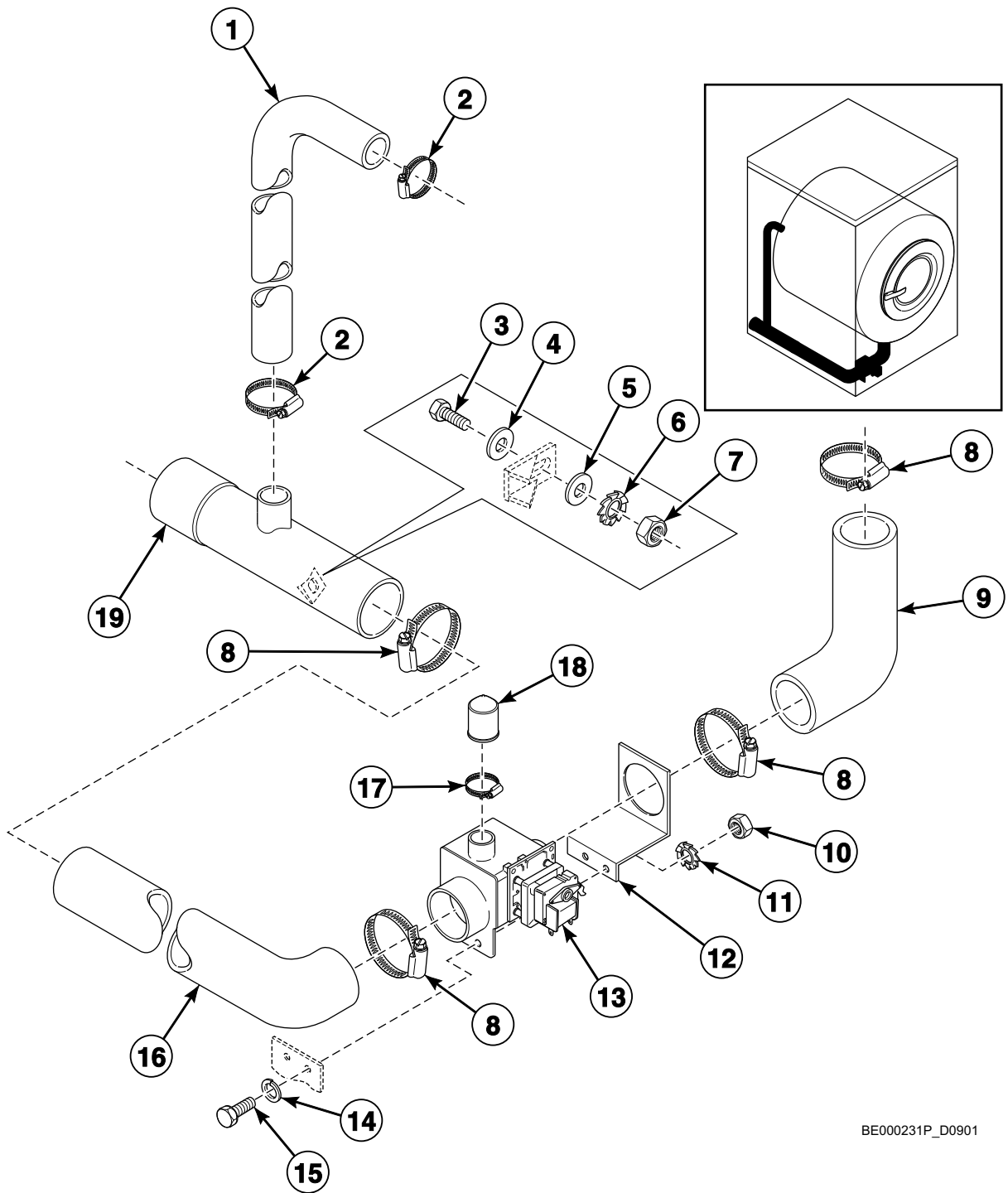
Sigma

CFD302P_D0901

Cabinet Freestanding Washer-Extractor Product Overview

REF	PART NO.	DESCRIPTION	COMMENTS
1	-	Product Family	HF
2	-	Capacity	145 205

Drain Plumbing

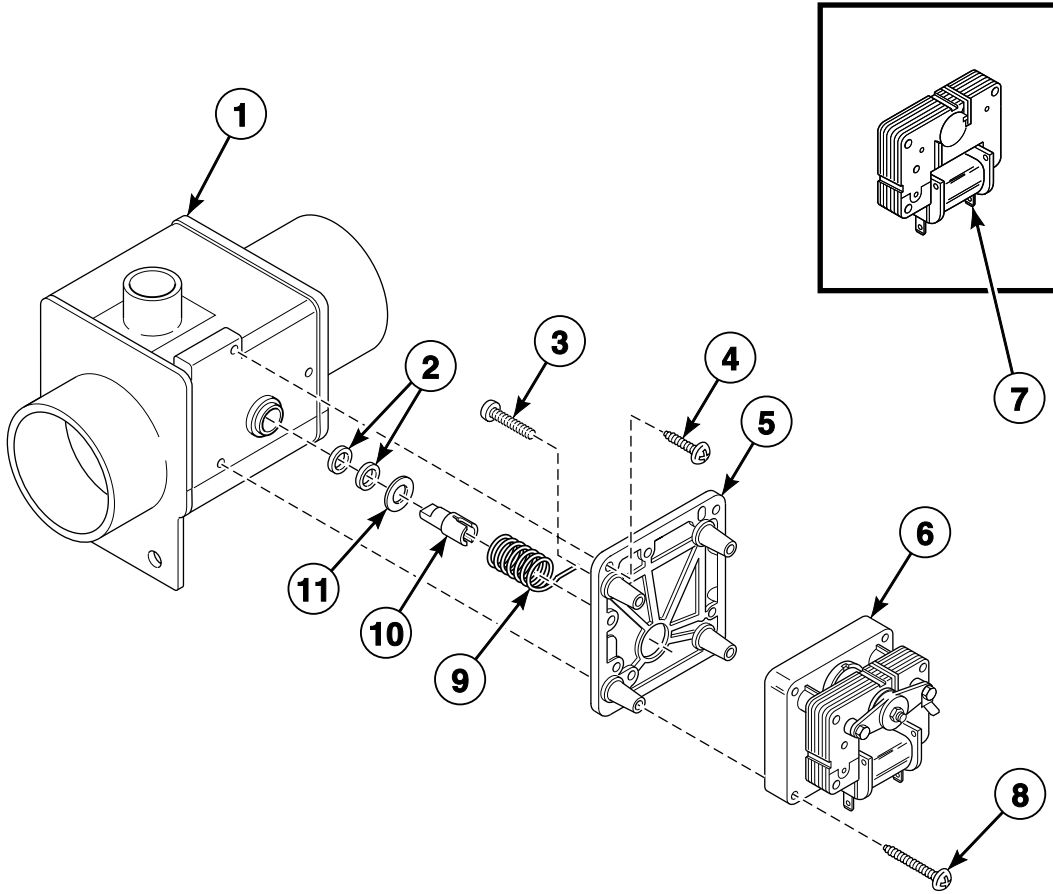


BE000231P_D0901

Drain Plumbing

REF	PART NO.	DESCRIPTION	COMMENTS
1	223/00131/00	Overflow Hose	
2	223/00013/00	Hose Clamp	
3	206/00014/00	Bolt	
4	201/00007/00	Washer	
5	202/00003/00	Washer	
6	203/00004/00	Washer	
7	204/00005/00	Nut	
8	223/00023/00	Hose Clamp	
9	223/00133/00	Drain Tub to Drain Valve Hose	
10	204/00004/00	Nut	
11	203/00003/00	Washer	
12	114/00019/07	Drain Valve Support	
13	209/00075/00	Drain Valve	NO
	209/00171/00	Drain Valve	NC
14	202/00002/00	Washer	
15	206/00010/00	Bolt	
16	223/00135/00	Drain Valve to Drain Pipe Hose	
17	223/00012/00	Hose Clamp	
18	223/00086/00	Drain Valve Overflow Plug	
19	223/00106/00	Drain Pipe	

Drain Valve - Normally Open

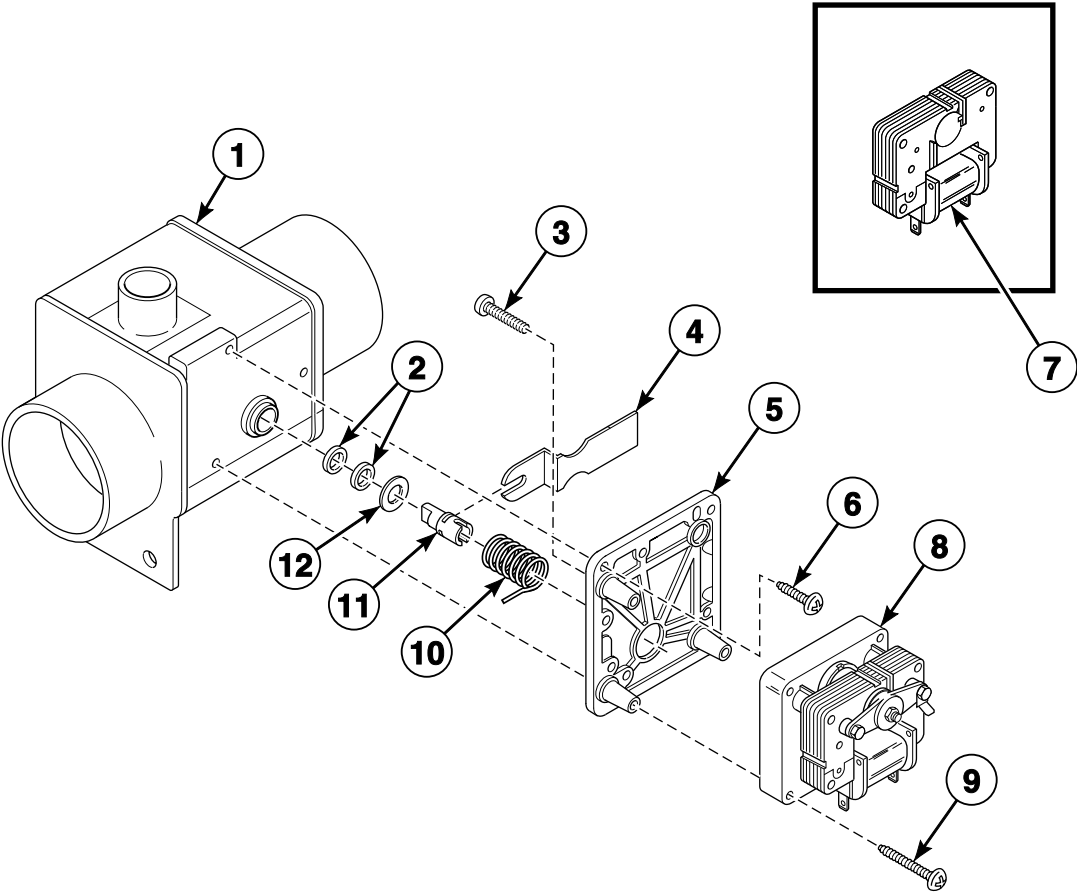


BE000058P_D0901

Drain Valve - Normally Open

REF	PART NO.	DESCRIPTION	COMMENTS
1	209/00075/05	Drain Valve	
2	209/00025/10	Drain Valve Shaft Seal	
3	209/00025/08	Screw	
4	209/00170/05	Screw	
5	209/00025/07	Drain Valve Motor Mounting Plate	
6	209/00203/11	Drain Valve Motor	24 Volt
	209/00052/11	Drain Valve Motor	110 Volt/60 Hertz
	209/00051/11	Drain Valve Motor	220 Volt/50 or 60 Hertz
7	209/00203/21	Coil	24 Volt
	209/00052/21	Coil	115 Volt/60 Hertz
	209/00051/21	Coil	220 Volt/50 or 60 Hertz
8	209/00170/07	Screw	
9	209/00025/13	Drain Valve Spring	
10	209/00170/10	Drain Valve Shaft	
11	209/00025/12	Washer	

Drain Valve - Normally Closed

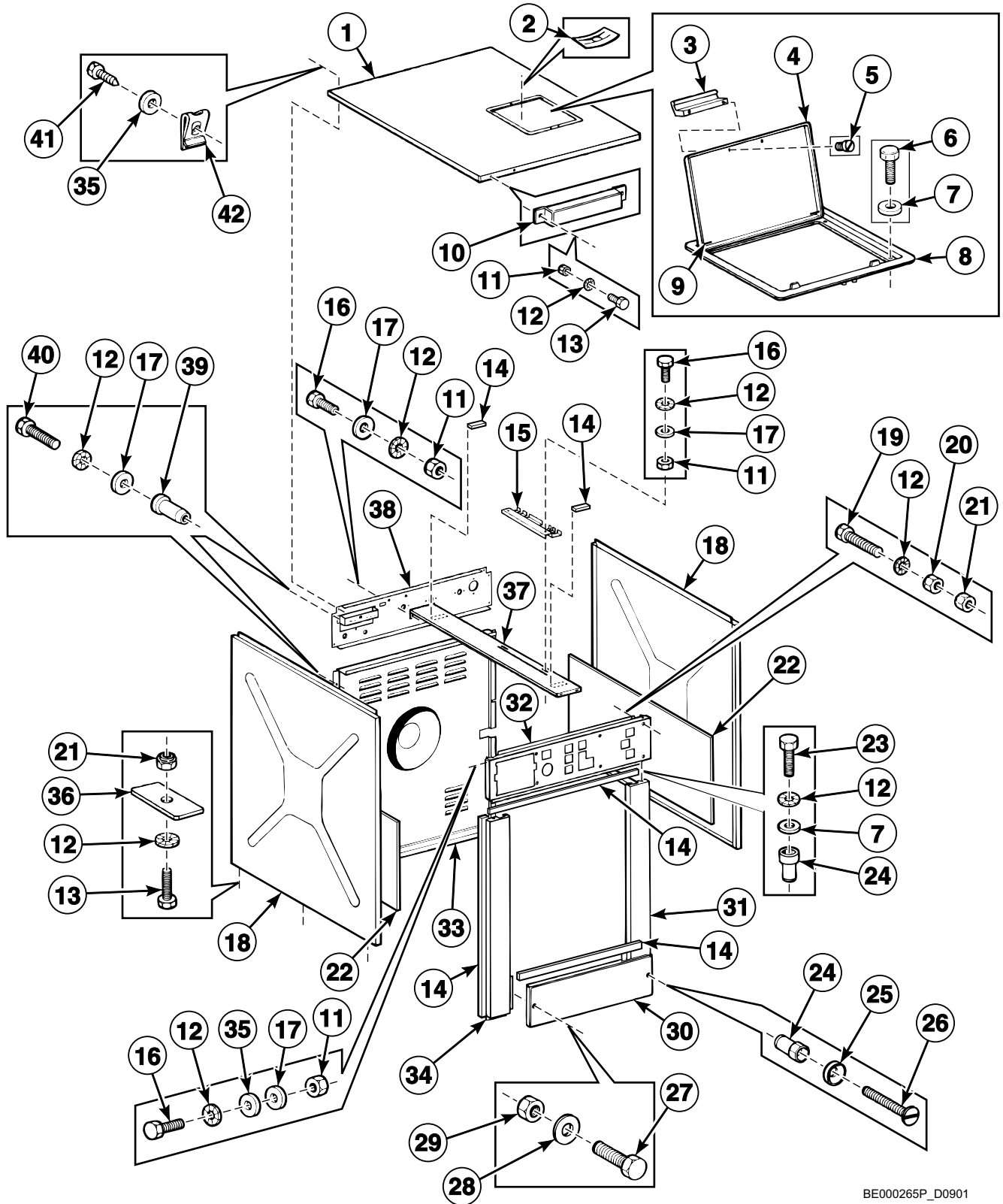


BE000057P_D0901

Drain Valve - Normally Closed

REF	PART NO.	DESCRIPTION	COMMENTS
1	209/00075/05	Drain Valve	
2	209/00025/10	Drain Valve Shaft Seal	
3	209/00025/08	Screw	
4	209/00115/11	Drain Valve Handle	
5	209/00115/04	Drain Valve Motor Mounting Plate	
6	209/00170/05	Screw	
7	209/00212/11	Coil	24 Volt
	209/00052/21	Coil	115 Volt/60 Hertz
	209/00051/21	Coil	220 Volt/50 or 60 Hertz
8	209/00203/12	Drain Valve Motor	24 Volt
	209/00052/12	Drain Valve Motor	110 Volt/60 Hertz
	209/00170/06	Drain Valve Motor Assembly	220 Volt/50 or 60 Hertz
9	209/00170/07	Screw	
10	209/00170/02	Drain Valve Spring	
11	209/00170/10	Drain Valve Shaft	
12	209/00025/12	Washer	

Panels

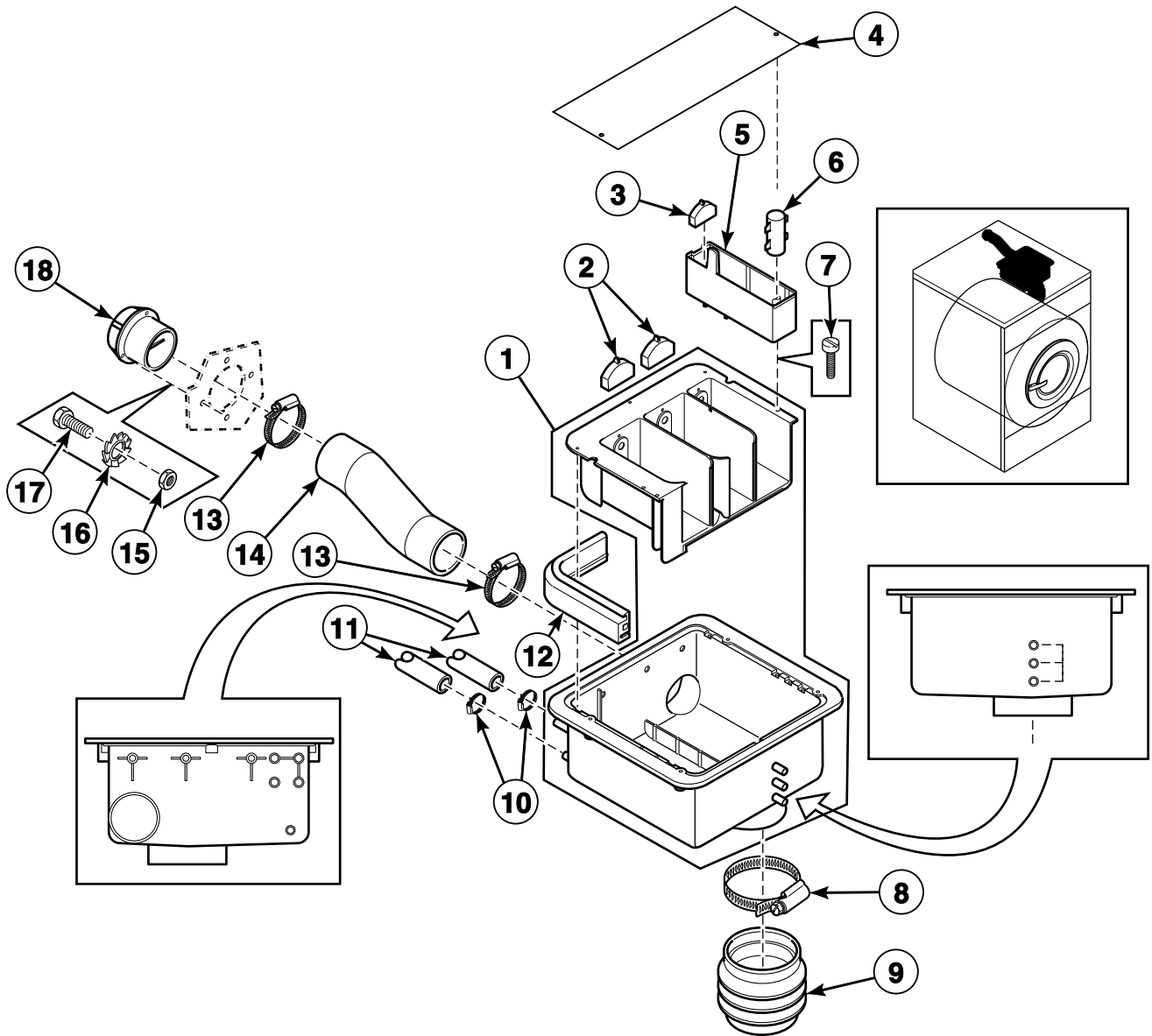


BE000265P_D0901

Panels

REF	PART NO.	DESCRIPTION	COMMENTS
1	111/32961/00	Cabinet Top Panel	HF145 models
	140/00045/01	Top Panel	HF205 models
2	208/00104/00	Nut	
3	223/00008/05	Soap Dispenser Cover Handle	
4	223/00103/01	Soap Dispenser Cover	
5	207/00110/00	Screw	
6	205/00108/00	Bolt	
7	202/00101/00	Washer	
8	223/00103/03	Soap Dispenser Frame	
9	223/00103/04	Soap Dispenser Cover Hinge Rod	2 required
10	111/00204/00	Guide	
11	204/00005/00	Nut	
12	203/00004/00	Washer	
13	205/00105/00	Bolt	
14	246/00149/00	Gasket	
15	111/00117/00	Soap Box Support Plate	
16	206/00014/00	Bolt	
17	201/00007/00	Washer	
18	111/32727/00	Side Panel	HF145 models
	140/00007/00	Side Panel	HF205 models
19	205/00103/00	Bolt	
20	204/00106/00	Nut	
21	204/00009/00	Nut	
22	246/00079/00	Side Panel Gasket	
23	205/00104/00	Bolt	
24	204/00011/00	Nut	
25	208/00009/00	Washer	
26	207/00101/00	Screw	
27	206/00006/00	Bolt	
28	201/00010/00	Washer	
29	204/00110/00	Nut	
30	111/32943/00	Kickplate	
31	111/32957/00	Front Panel	
32	111/32705/00	Front Panel	
33	111/00127/00	Rear Panel	
34	111/32951/00	Front Panel	
35	201/00006/00	Washer	
36	101/00007/00	Outlet Pipe Plate Assembly	
37	111/00134/00	Cover Plate	HF145 models
	111/00130/00	Cover Plate	HF205 models
38	140/00004/AO	Backbridge	
39	204/00301/00	Bushing	
40	206/00013/00	Bolt	
41	208/00001/00	Screw	
42	208/00002/00	Nut	

Supply Dispenser - 13 mm Inlet Hoses

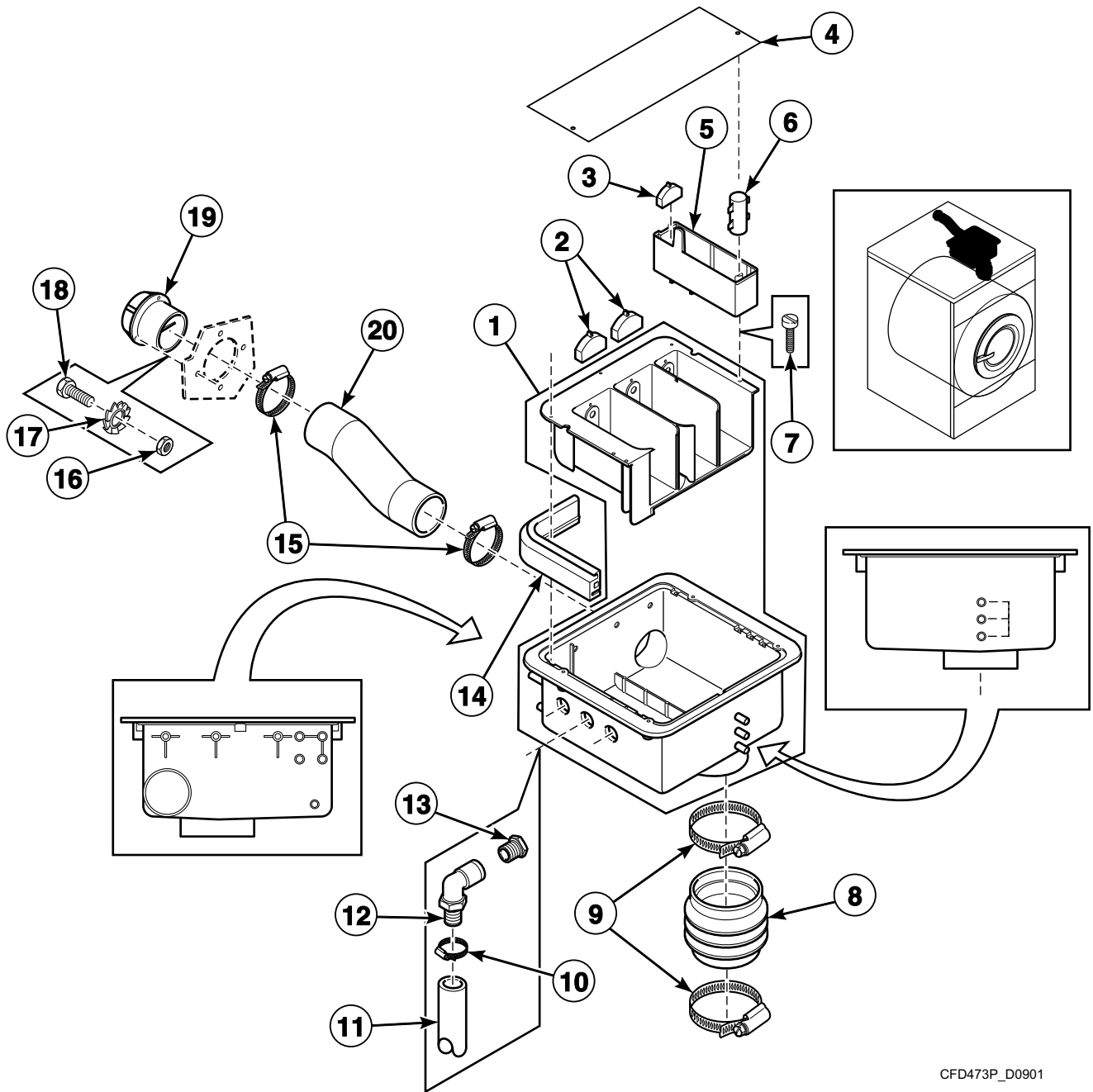


CFD472P_D0901

Supply Dispenser - 13 mm Inlet Hoses

REF	PART NO.	DESCRIPTION	COMMENTS
1	223/00102/30	Soap Dispenser Assembly	
2	223/00102/06	Soap Spray Nozzle	
3	223/00102/05	Softener Spray Nozzle	
4	123/00107/00	Anti-Splash Plate	Sigma models
	123/00103/06	Soap Box Assembly Plate	All other models
5	223/00102/03	Rinse Insert	
6	223/00102/04	Soap Dispenser Rinse Siphon	
7	208/00130/00	Screw	
8	223/00023/00	Hose Clamp	
9	223/00115/00	Hose	
10	223/00010/00	Hose Clamp	
11	223/00044/00	Water Hose	13 mm diameter; Sold per meter
12	223/00109/00	Soap Dispenser Gasket	
13	223/00014/00	Hose Clamp	
14	223/00107/01	Ventilating Hose	HF205 models
	223/00107/02	Vent Hose	HF145 models
15	204/00007/00	Nut	
16	203/00006/00	Washer	M4
	202/00004/00	Washer	M6
17	206/00027/00	Bolt	
18	223/00102/07	Hose Vent	

Supply Dispenser - Models Through 08/2005 with 20 mm Inlet Hoses

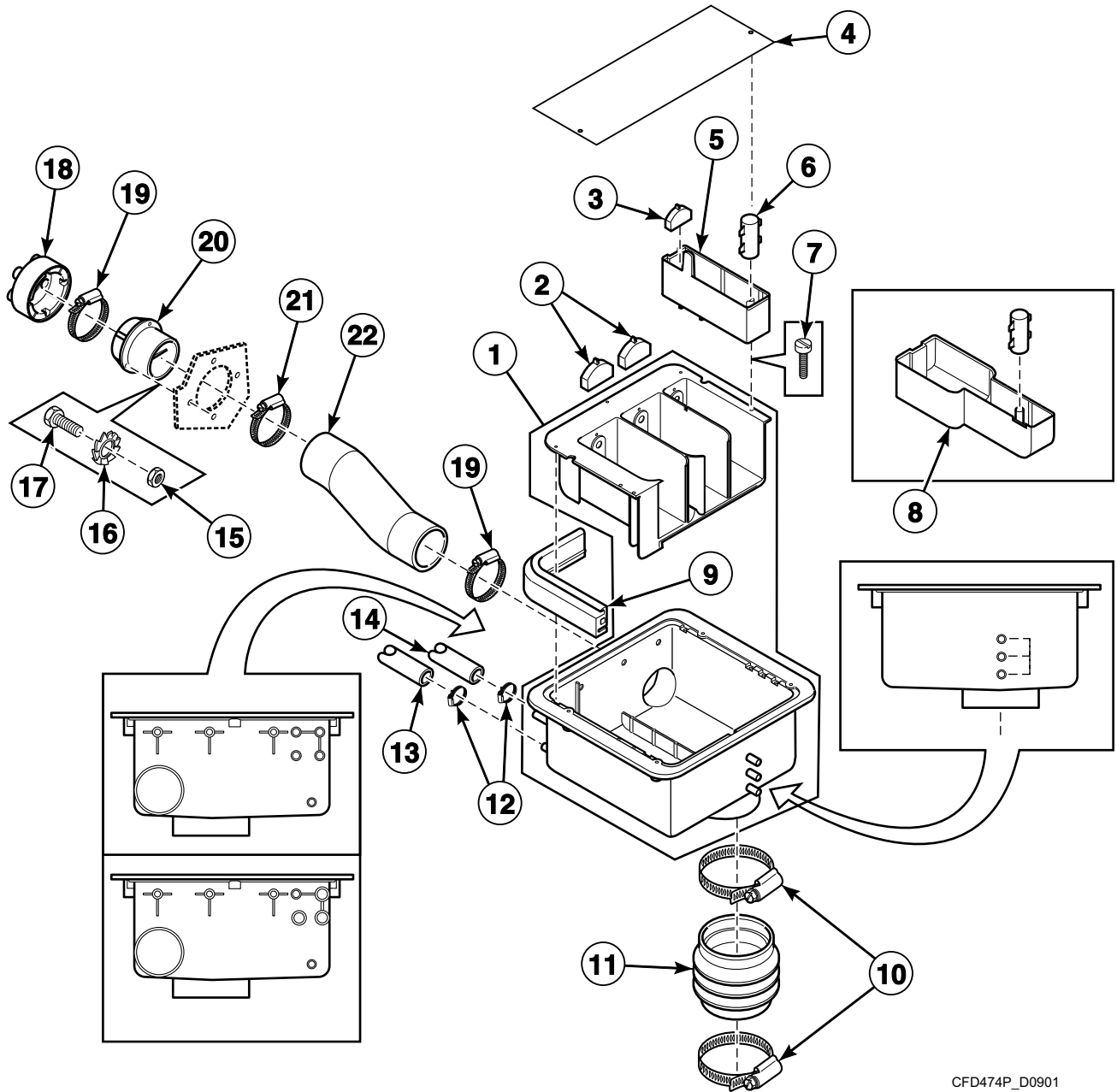


CFD473P_D0901

Supply Dispenser - Models Through 08/2005 with 20 mm Inlet Hoses

REF	PART NO.	DESCRIPTION	COMMENTS
1	223/00102/30	Soap Dispenser Assembly	
2	223/00102/06	Soap Spray Nozzle	
3	223/00102/05	Softener Spray Nozzle	
4	123/00107/00	Anti-Splash Plate	Sigma models
	123/00103/06	Soap Box Assembly Plate	All other models
5	223/00102/03	Rinse Insert	
6	223/00102/04	Soap Dispenser Rinse Siphon	
7	208/00130/00	Screw	
8	223/00115/00	Hose	
9	223/00023/00	Hose Clamp	
10	223/00011/00	Hose Clamp	
11	223/00059/00	Water Hose	20 mm diameter; Sold per meter
12	211/10149/00	Flow Nozzle	
13	211/10147/00	Mounting Piece	
14	223/00109/00	Soap Dispenser Gasket	
15	223/00014/00	Hose Clamp	
16	204/00007/00	Nut	
17	203/00006/00	Washer	M4
	202/00004/00	Washer	M6
18	206/00027/00	Bolt	
19	223/00102/07	Hose Vent	
20	223/00107/02	Vent Hose	HF145 models
	223/00107/01	Ventilating Hose	HF205 models

Supply Dispenser - Models with 25 mm Inlet Hoses and Models Starting 09/2005 with 20 mm Inlet Hoses

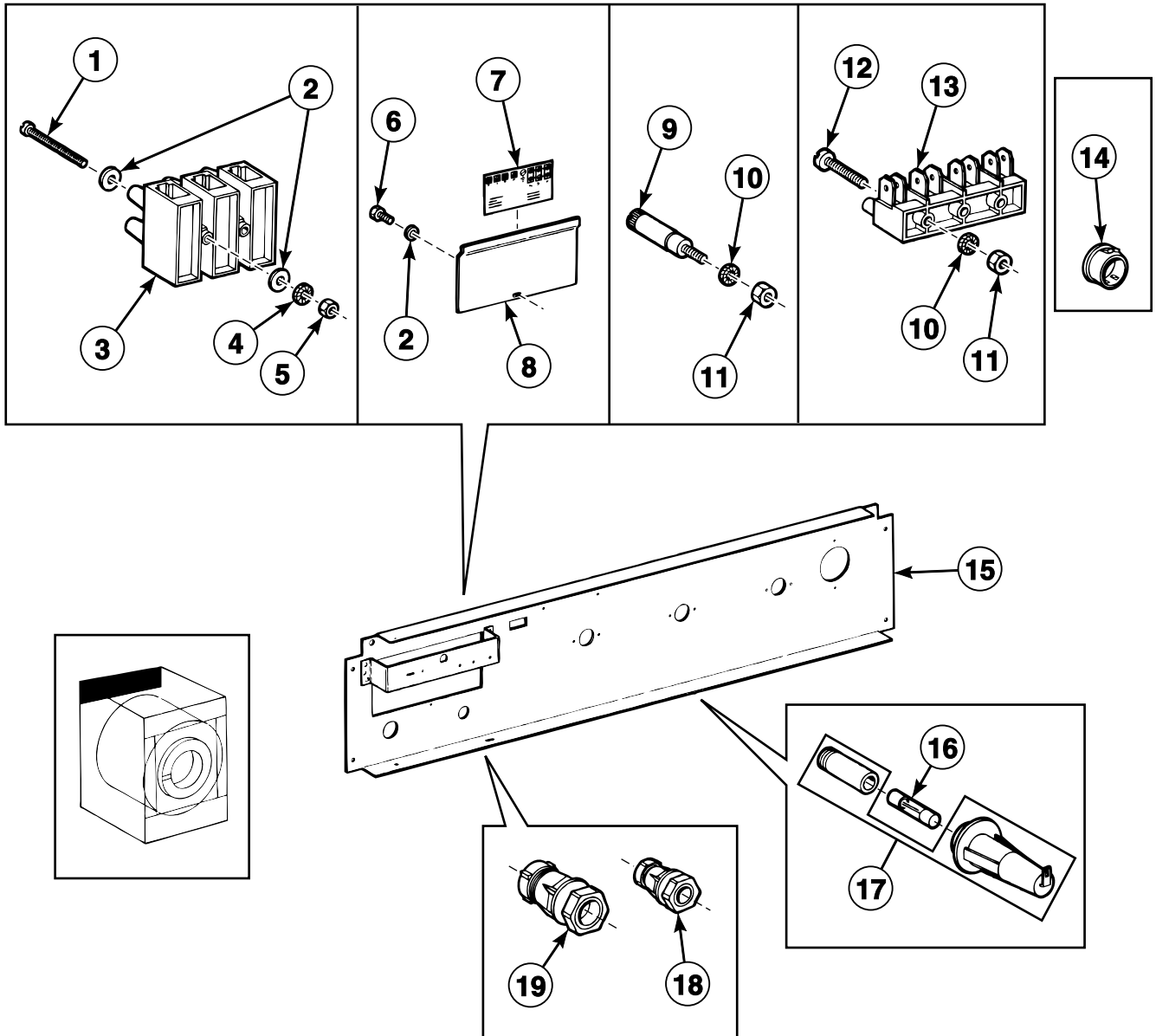


CFD474P_D0901

Supply Dispenser - Models with 25 mm Inlet Hoses and Models Starting 09/2005 with 20 mm Inlet Hoses

REF	PART NO.	DESCRIPTION	COMMENTS
1	223/00102/30	Soap Dispenser Assembly	
2	223/00102/06	Soap Spray Nozzle	
3	223/00102/05	Softener Spray Nozzle	
4	123/00107/00	Anti-Splash Plate	Sigma models
	123/00103/06	Soap Box Assembly Plate	All other models
5	223/00102/03	Rinse Insert	
6	223/00102/04	Soap Dispenser Rinse Siphon	
7	208/00130/00	Screw	
8	223/00102/08	Liquid Soap Dispenser Insert	
9	223/00109/00	Soap Dispenser Gasket	
10	223/00023/00	Hose Clamp	
11	223/00115/00	Hose	
12	223/00009/00	Clamp	
13	223/00059/00	Water Hose	20 mm diameter; Sold per meter
14	223/00188/00	Hose	25 mm diameter; Sold per meter
15	204/00105/00	Nut	
16	203/00008/00	Washer	
17	207/00106/00	Screw	
18	223/00160/00	Liquid Soap Hose	
19	223/00014/00	Hose Clamp	
20	223/00102/07	Hose Vent	
21	223/00013/00	Hose Clamp	
22	223/00107/01	Ventilating Hose	

Upper Back Panel (Drawing 1 of 2)

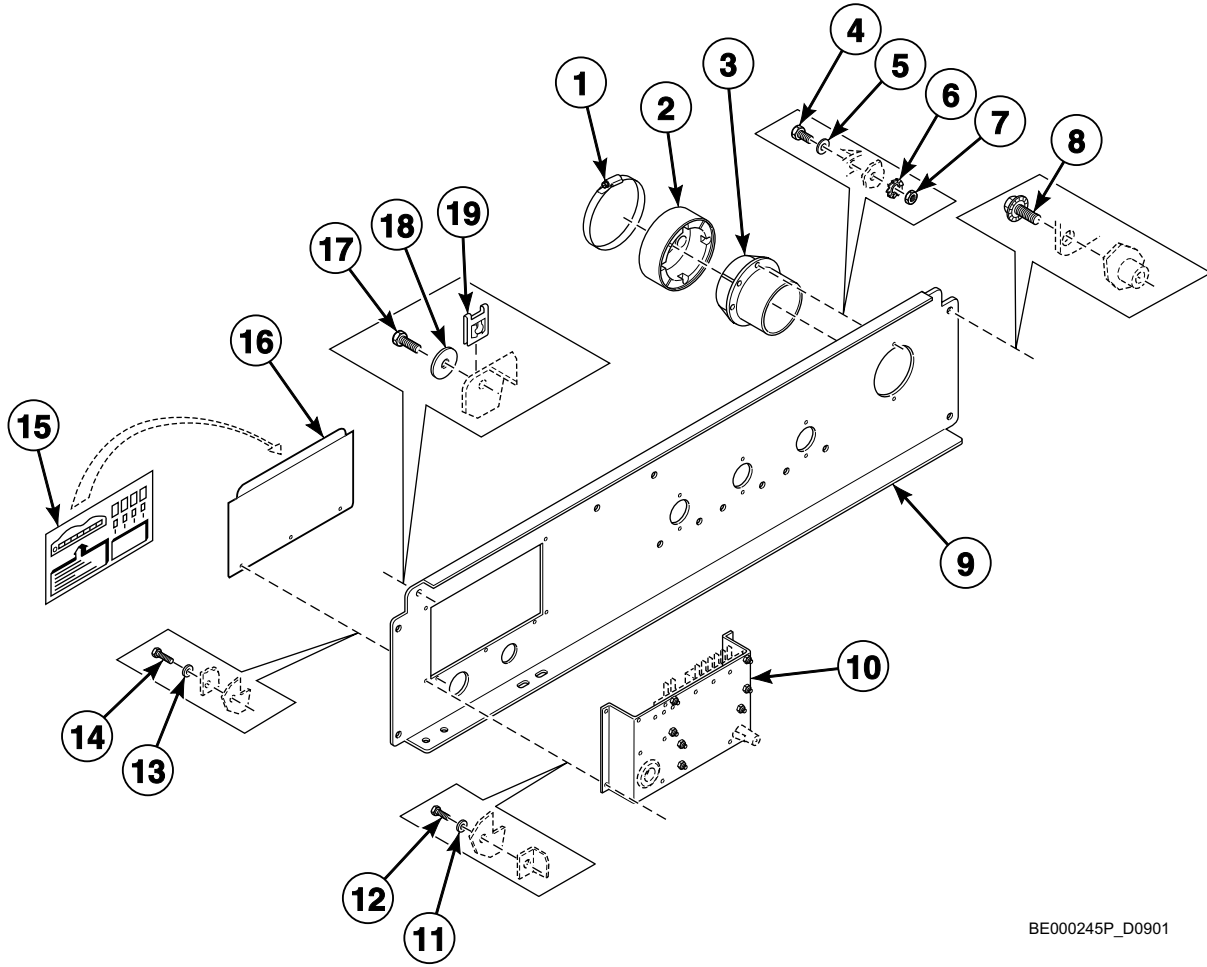


BE000232P_D0901

Upper Back Panel (Drawing 1 of 2)

REF	PART NO.	DESCRIPTION	COMMENTS
1	207/00014/00	Screw	
2	202/00004/00	Washer	
3	209/00058/00	Terminal Block	4 pole
	209/00291/00	Terminal	12 pole
4	203/00007/00	Washer	
5	204/00008/00	Nut	
6	206/00027/00	Bolt	
7	229/00001/00	Sticker	
8	140/00010/00	Cover Plate	
9	209/00006/01	Ground Terminal	
10	203/00006/00	Washer	
11	204/00007/00	Nut	
12	207/00003/00	Screw	
13	209/00005/00	Terminal Block	
14	211/00084/00	Plug	20.5 mm diameter
	211/00085/00	Stopper	25.5 mm diameter
	211/00086/00	Stopper	28 mm diameter
	211/00087/00	Plug	30 mm diameter
15	140/00004/AO	Backbridge	
16	209/00195/00	Fuse	
17	209/00202/00	Fuse Holder	
18	211/00117/00	Cordlock	
19	211/00138/00	Cordlock	PG21
	211/00097/00	Cordlock	PG29

Upper Back Panel (Drawing 2 of 2)

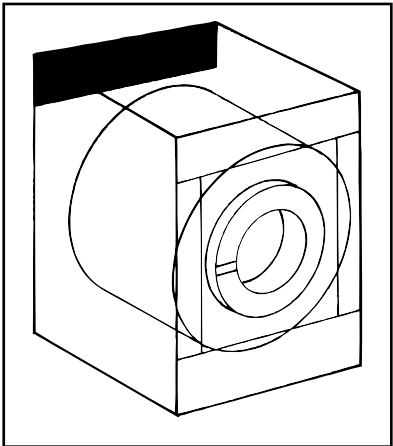
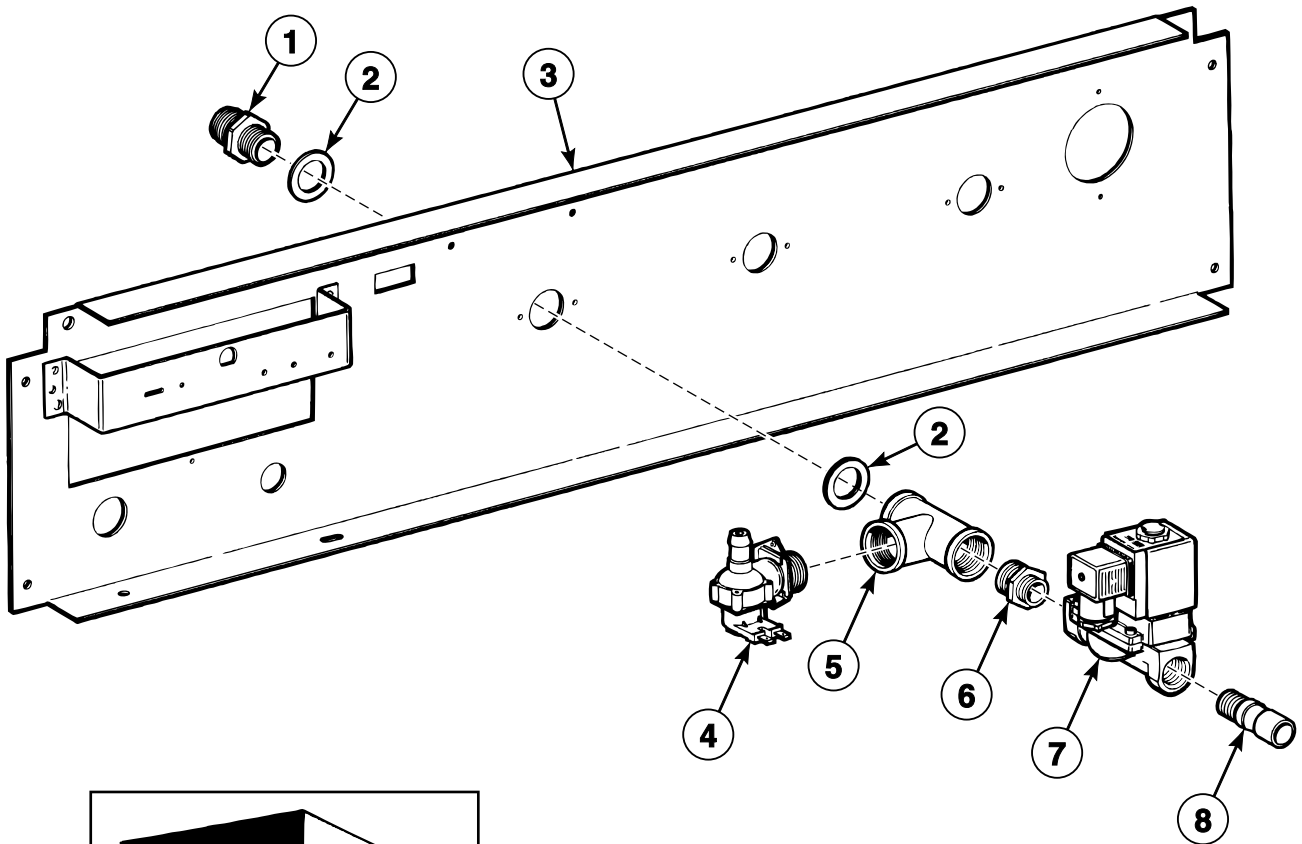


BE000245P_D0901

Upper Back Panel (Drawing 2 of 2)

REF	PART NO.	DESCRIPTION	COMMENTS
1	223/00014/00	Hose Clamp	
2	223/00160/00	Liquid Soap Hose	
3	223/00102/07	Hose Vent	
4	206/00027/00	Bolt	
5	202/00004/00	Washer	
6	203/00006/00	Washer	
7	204/00007/00	Nut	
8	206/00099/00	Bolt	
9	140/00004/AO	Backbridge	
10	111/00188/03	Assembly Plate	
11	202/00109/00	Washer	
12	207/00004/00	Screw	
13	202/00102/00	Washer	
14	207/00110/00	Screw	
15	229/00068/02	Electrical Connection Sticker	
16	140/00010/00	Cover Plate	
17	208/00001/00	Screw	
18	201/00006/00	Washer	
19	208/00002/00	Nut	

Water Inlet Valve (Drawing 1 of 4)



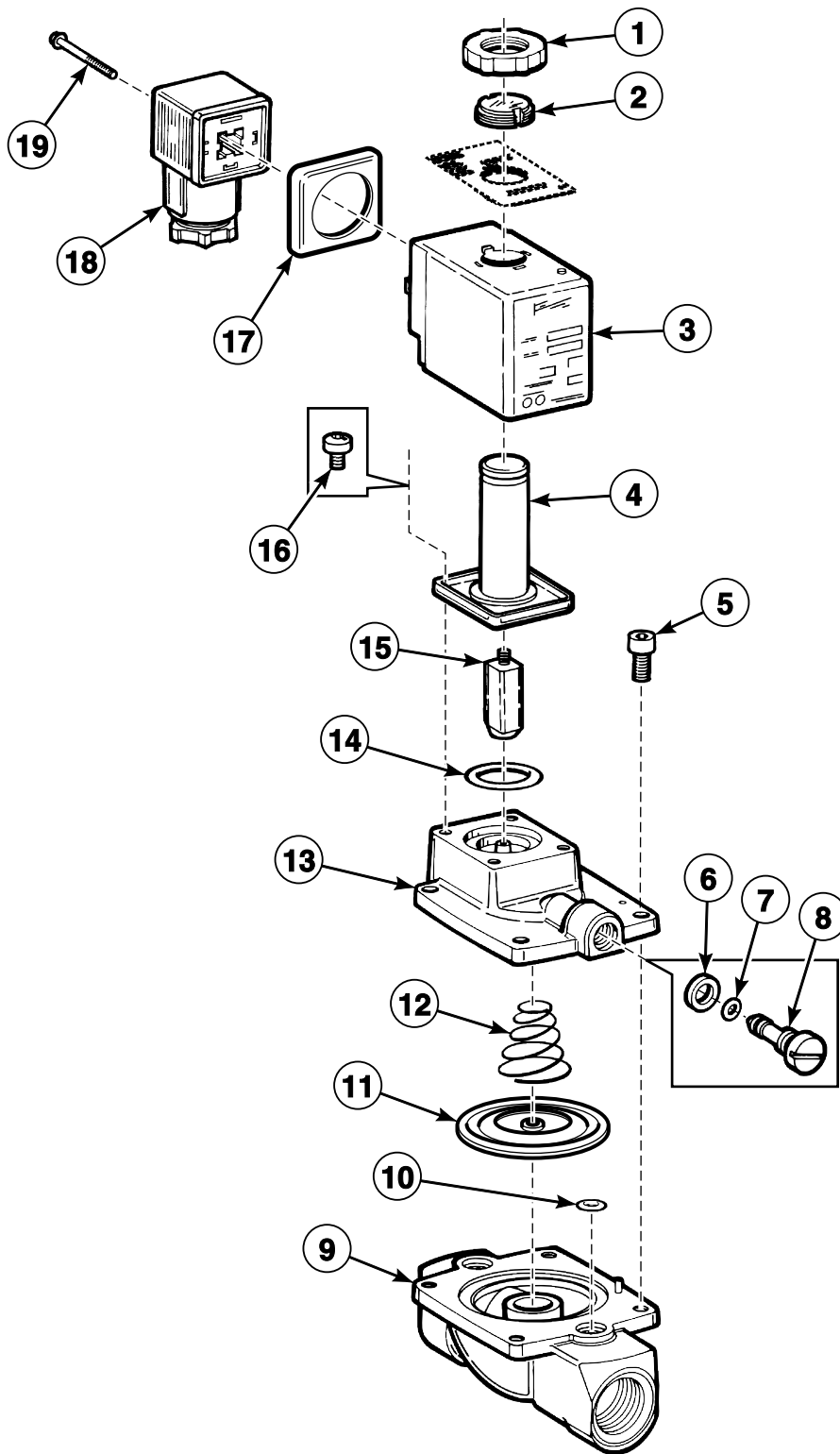
BE000246P_D0901

Water Inlet Valve (Drawing 1 of 4)

REF	PART NO.	DESCRIPTION	COMMENTS
1	711/00026/01	Nipple	
2	223/00042/00	O-Ring	
3	140/00004/AO	Backbridge	
4	209/00276/00	Inlet Valve	
5	223/00043/00	T-Piece	
6	711/00026/00	Nipple	
7	209/00306/02	Coil	Models through August, 2003
	209/00306/01	Valve Coil	Models through August, 2003
8	211/10148/00	Hose Mounting Piece	

Water Inlet Valve (Drawing 2 of 4)

Models Through August, 2003

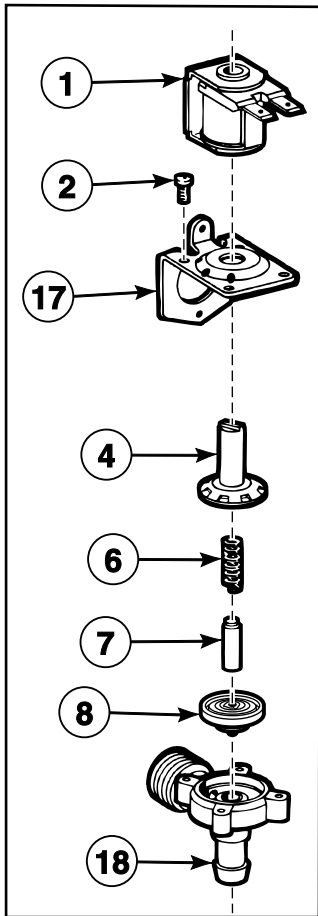


BE000247P_D0901

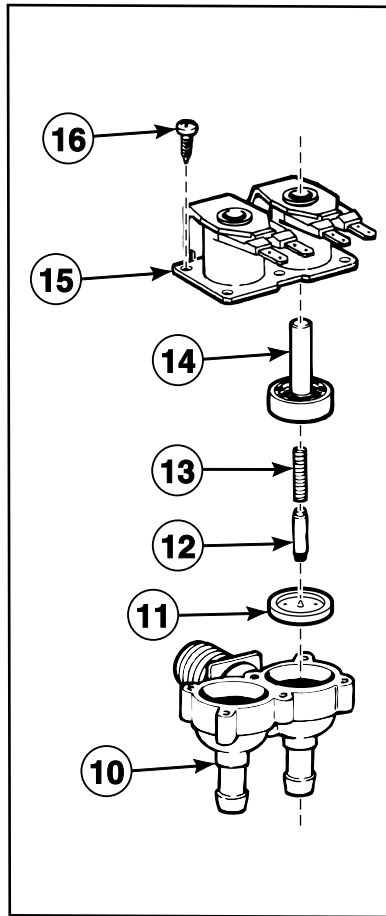
Water Inlet Valve (Drawing 2 of 4)

REF	PART NO.	DESCRIPTION	COMMENTS
1	209/01306/00	Nut	
2	209/02306/00	Clip	
3	209/00306/02	Coil	
4	209/00306/04	Core Holder	
5	209/00306/07	Screw	
6	209/00306/09	Washer	
7	209/00306/10	O-Ring	
8	209/00306/11	Screw	
9	209/00306/15	Chair	
10	209/00306/12	O-Ring	
11	209/00306/14	Diaphragm	
12	209/00306/13	Spring	
13	209/00306/08	Chair	
14	209/00306/06	O-Ring	
15	209/00306/05	Core	
16	209/00306/16	Screw	
17	209/00306/17	Seal	
18	209/00306/18	Terminal Connector	
19	209/00306/19	Screw	

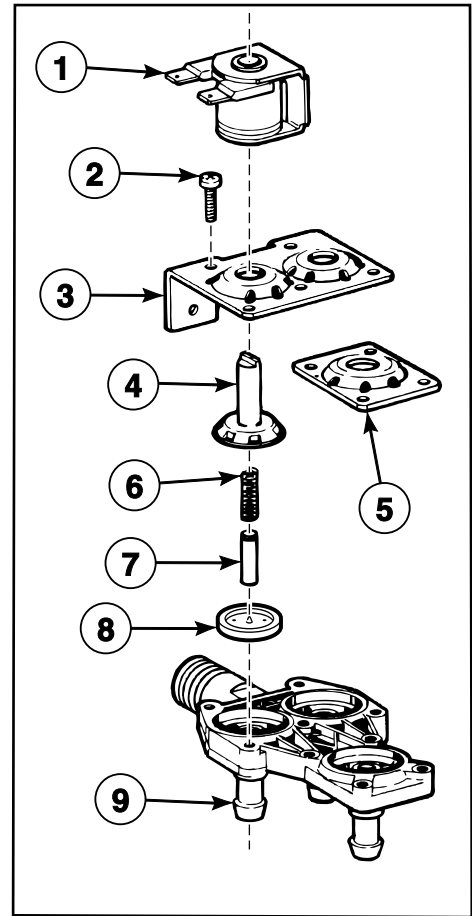
Water Inlet Valve (Drawing 3 of 4)



Elbi; Models through August, 2003



Techno; Models through October, 2006



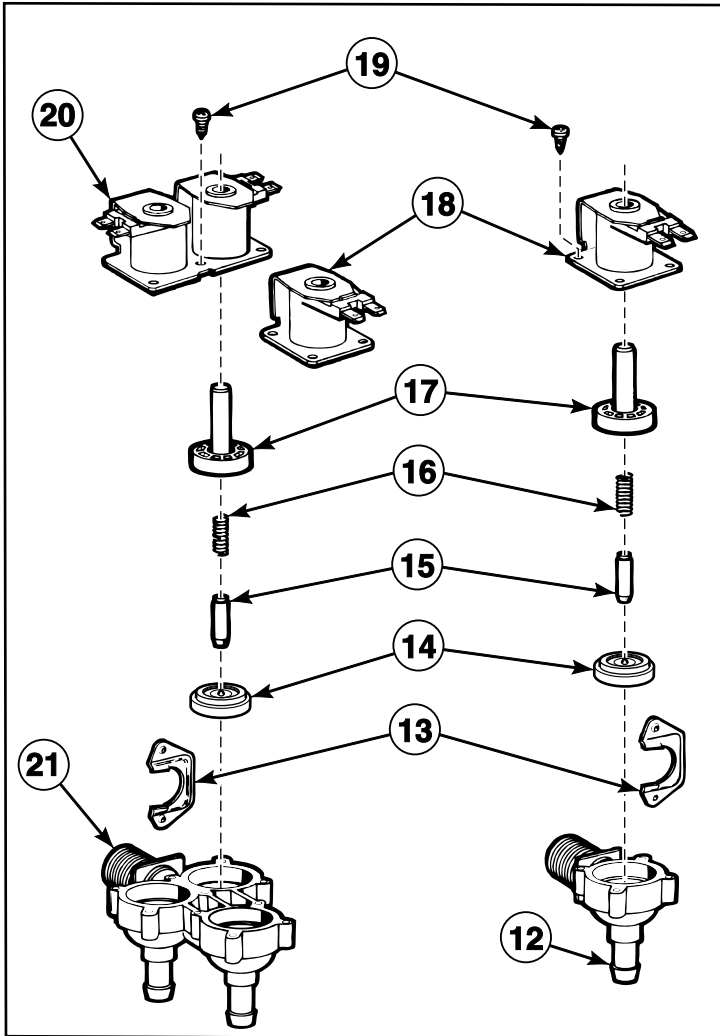
Elbi; Models through August, 2003

BE000248P_D0901

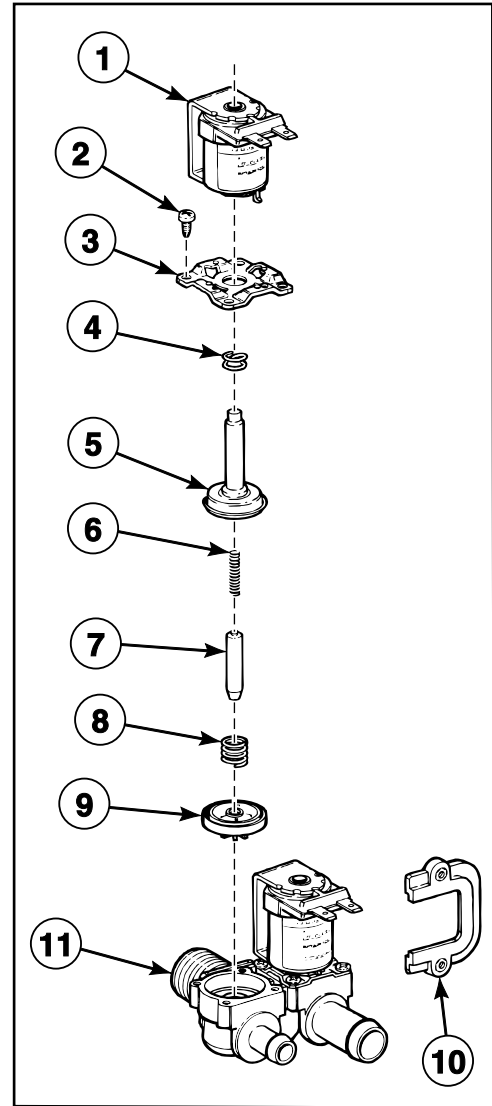
Water Inlet Valve (Drawing 3 of 4)

REF	PART NO.	DESCRIPTION	COMMENTS
1	209/00001/01	Coil	
2	209/00001/02	Screw	
3	209/00001/11	1-Way Plate	
4	209/00001/04	Core Holder	
5	209/00001/03	2-Way Plate	
6	209/00001/05	Spring	
7	209/00001/06	Core	
8	209/00001/07	Diaphragm	
9	209/00001/08	3-Way Inlet Valve	
10	209/00110/00	2-Way Inlet Valve	
11	223/00051/06	Diaphragm	
12	223/00051/05	Core	
13	223/00051/04	Spring	
14	223/00051/03	Core Holder	
15	223/00051/02	2-Way Inlet Valve	
16	223/00051/01	Screw	
17	209/00048/03	1-Outlet Plate	
18	209/00048/08	1-Way Inlet Valve	

Water Inlet Valve (Drawing 4 of 4)



Techno; Models through October, 2003



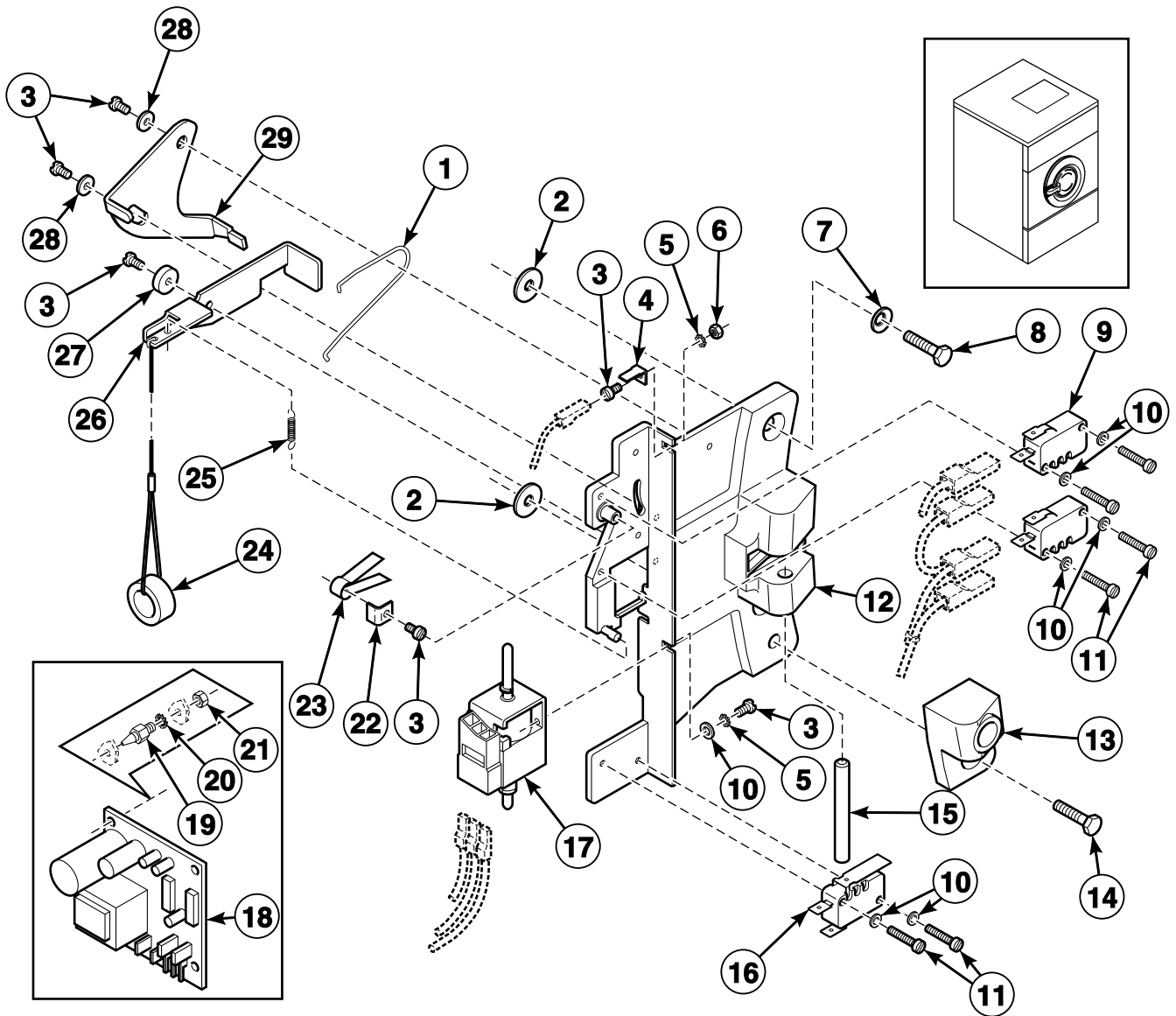
Mueller

BE000249P_D0901

Water Inlet Valve (Drawing 4 of 4)

REF	PART NO.	DESCRIPTION	COMMENTS
1	209/00090/01	Inlet Valve Solenoid	
2	209/00090/03	Screw	
3	209/00090/04	Assembly Plate	
4	209/00090/02	Spring	
5	209/00090/05	Core Holder	
6	209/00090/06	Spring	
7	209/00090/07	Core	
8	209/00090/15	Spring	
9	209/00316/02	Diaphragm	
10	209/00090/18	Assembly Plate	
11	209/00316/01	2-Way Inlet Valve	
12	223/00051/12	1-Way Inlet Valve	
13	223/00051/09	Plate	
14	223/00051/06	Diaphragm	
15	223/00051/05	Core	
16	223/00051/04	Spring	
17	223/00051/03	Core Holder	
18	223/00051/11	Coil	
19	223/00051/01	Screw	
20	223/00051/02	2-Way Inlet Valve	
21	223/00051/13	3-Way Inlet Valve	

Door Lock

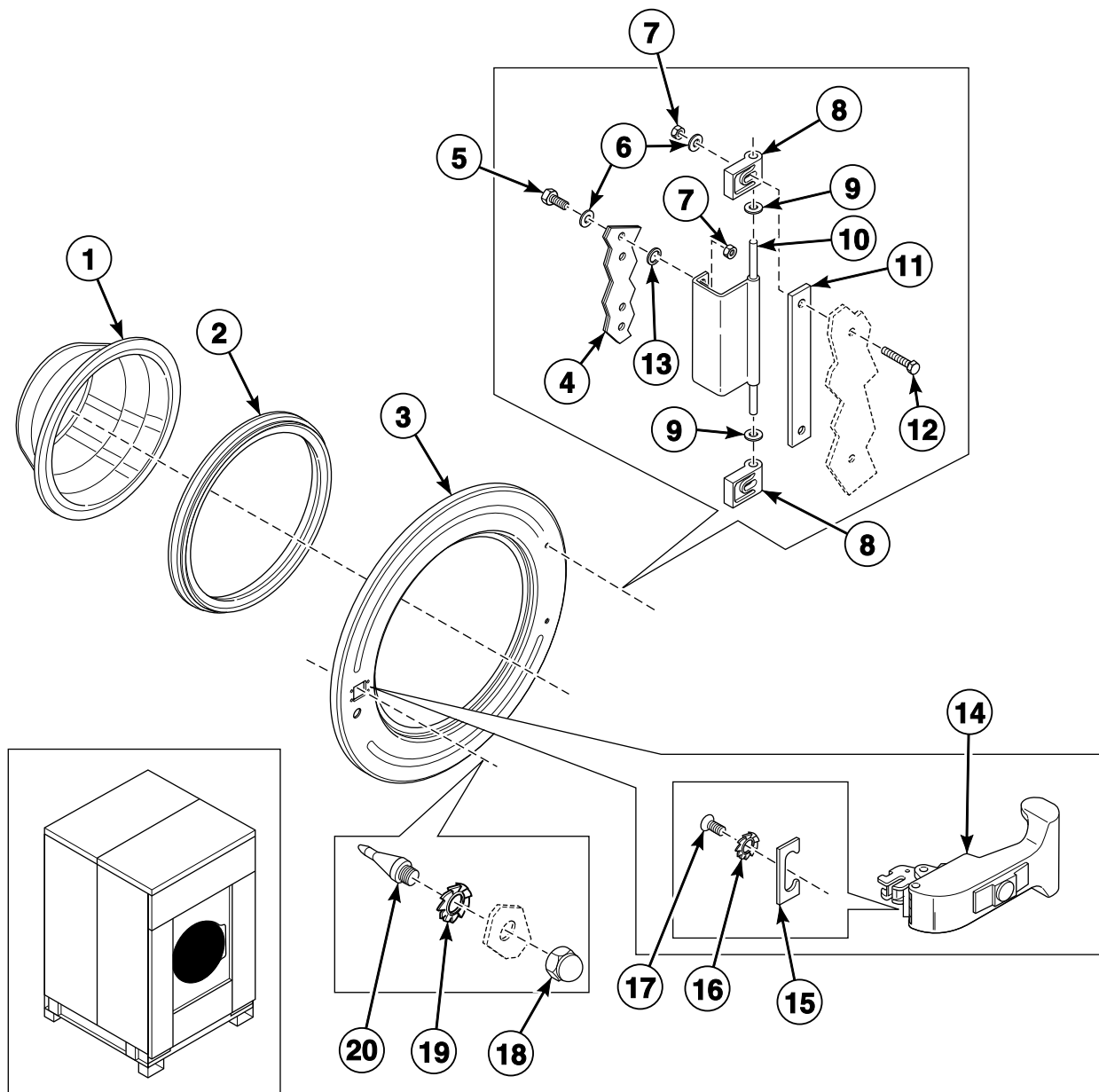


BE000059AP_D0901

Door Lock

REF	PART NO.	DESCRIPTION	COMMENTS
1	224/00040/00	Lever Spring	
2	217/00021/00	O-Ring	
3	207/00135/00	Screw	
4	210/10015/00	Ground Terminal	
5	203/00007/00	Washer	
6	204/00008/00	Nut	
7	203/00010/00	Washer	
8	207/00103/00	Screw	
9	209/00272/00	Door Lock Microswitch	
10	201/00018/00	Washer	
11	207/00009/00	Screw	
12	217/00052/01A	Door Lock Assembly	
13	217/00052/02	Door Lock Pin Kit	
14	207/00102/00	Screw	
15	217/00017/03	Lock Shaft	
16	209/00273/00	Light Microswitch	
17	209/00274/00	Door Lock Solenoid	
18	209/00275/04	Door Lock Board	
19	211/00120/00	Standoff	
20	203/00006/00	Washer	
21	204/00007/00	Nut	
22	217/00052/08	Washer	
23	224/00049/00	Door Lock Spring	
24	224/00015/00	Door Latch Cord	
25	224/00043/00	Interlock Coil Spring	
26	217/00052/04	Interlock Lever	
27	217/00052/03	Door Lock Spacer	
28	201/00017/00	Washer	
29	217/00052/05	Switch Lever	

Door

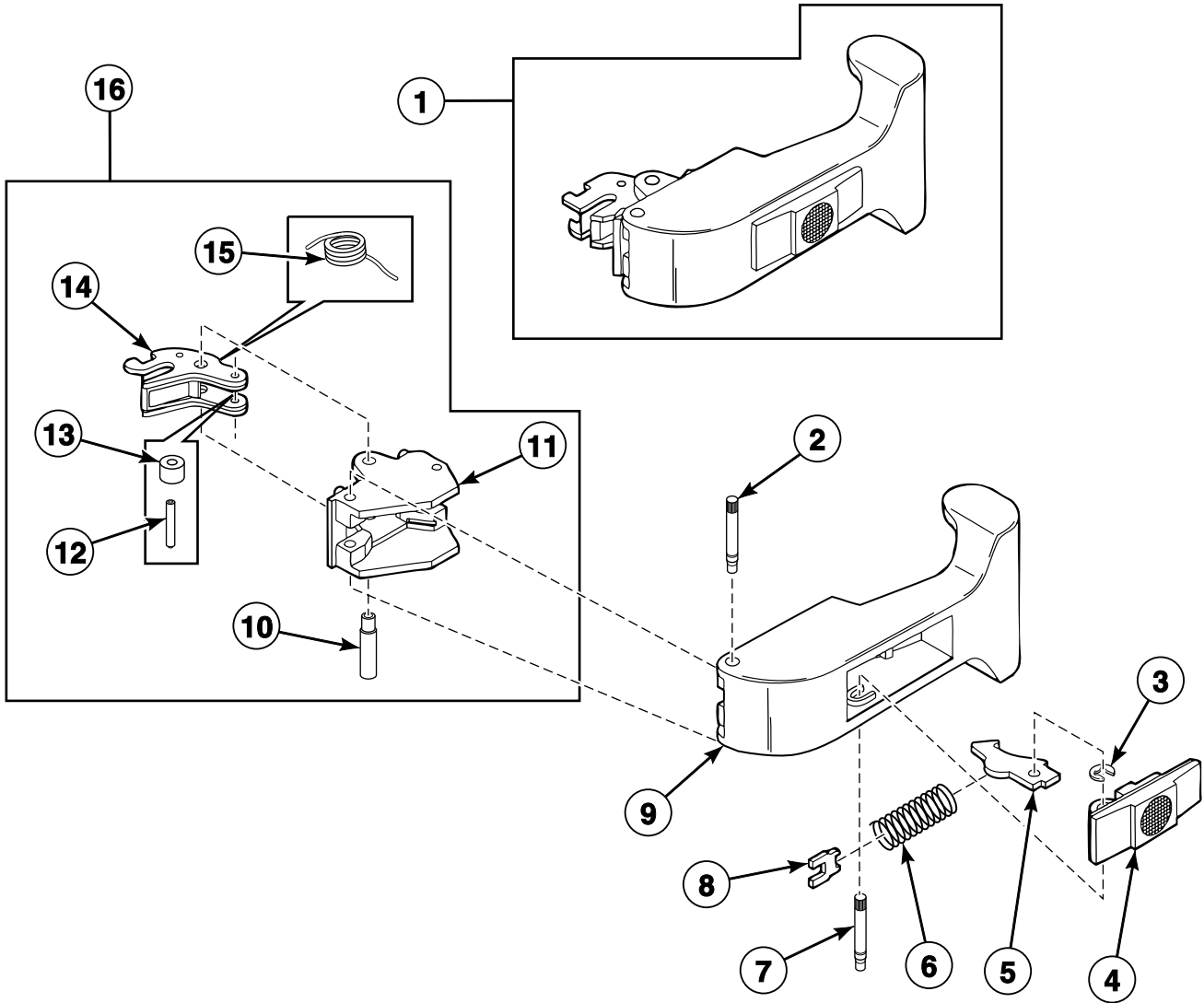


BE000255P_D0901

Door

REF	PART NO.	DESCRIPTION	COMMENTS
1	B12449801	Door Glass	
2	223/00068/00	Door Glass Seal	
3	118/00125/00	Door	
4	138/00001/00	Tub Front	
5	205/00104/00	Bolt	
6	202/00101/00	Washer	
7	204/00106/00	Nut	
8	217/00009/02	Door Hinge Assembly	
9	202/00104/00	Washer	
10	131/00046/00	Hinge	
11	117/00010/00	Door Hinge Spacer	1 mm
	117/00011/00	Door Hinge Spacer	2 mm
12	205/00103/00	Bolt	
13	217/00021/00	O-Ring	
14	217/00051/00	Door Handle	
15	217/00016/00	Door Handle Stop	
16	203/00008/00	Washer	
17	207/00020/00	Screw	
18	204/00103/00	Nut	
19	203/00011/00	Washer	
20	211/00109/01	Door Lock Pin Kit	

Door Handle (Drawing 1 of 2)

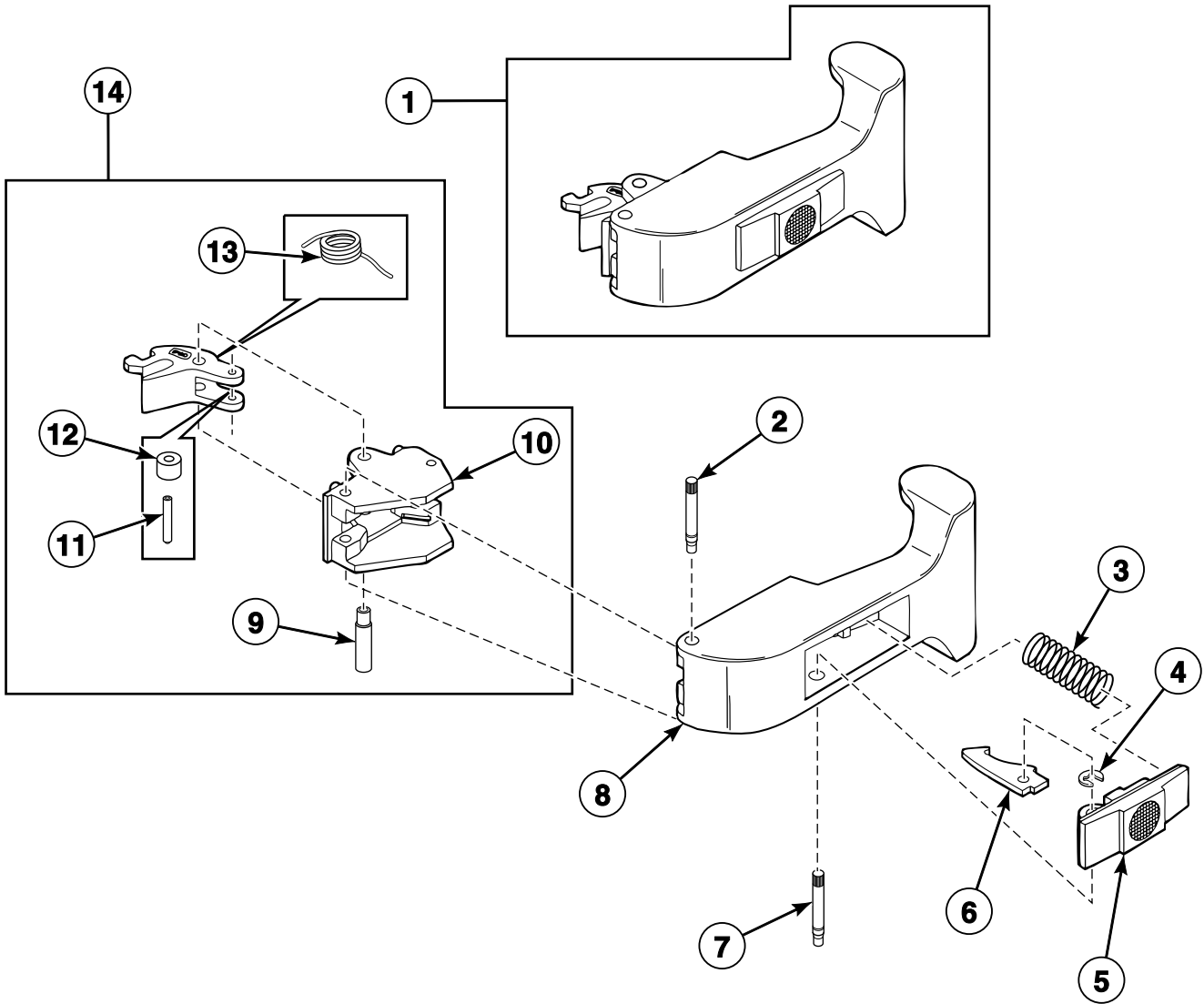


BE000034AP_D0901

Door Handle (Drawing 1 of 2)

REF	PART NO.	DESCRIPTION	COMMENTS
1	217/00051/00	Door Handle	
2	217/00013/09	Door Mounting Pin	
3	217/00013/11	Door Circlip	
4	217/00013/12	Door Handle	
5	217/00013/13	Door Handle Hook	
6	217/00013/14	Door Handle Spring	
7	217/00013/15	Door Handle Locking Pin	
8	217/00013/16	Door Handle Assembly Plate	
9	217/00051/00	Door Handle	
10	217/00013/08	Door Locking Pin	
11	217/00013/07	Door Locking Grip	
12	217/00013/05	Door Axle Roller	
13	217/00013/06	Door Roller	
14	217/00013/04	Door Handle Latch	
15	217/00013/03	Door Lock Spring	
16	217/00051/14	Door Handle Latch	

Door Handle (Drawing 2 of 2)

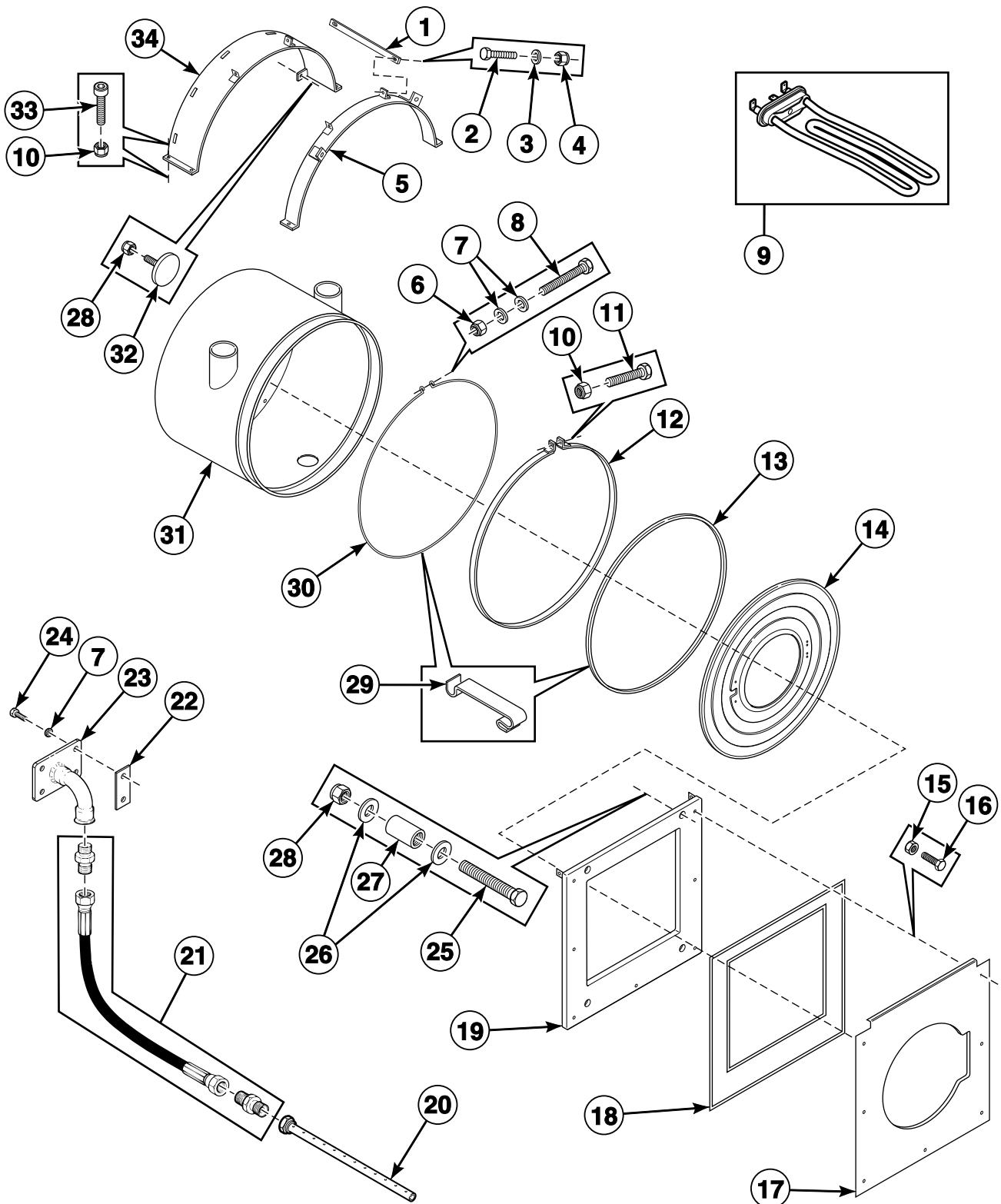


BE000034BP_D0901

Door Handle (Drawing 2 of 2)

REF	PART NO.	DESCRIPTION	COMMENTS
1	217/00051/00	Door Handle	
2	217/00013/09	Door Mounting Pin	
3	217/00013/14	Door Handle Spring	
4	217/00013/11	Door Circlip	
5	217/00013/12	Door Handle	
6	217/00051/13	Door Handle Catch	
7	217/00051/15	Door Locking Pin	
8	217/00051/00	Door Handle	
9	217/00013/07	Door Locking Grip	
10	217/00013/08	Door Locking Pin	
11	217/00013/05	Door Axle Roller	
12	217/00013/06	Door Roller	
13	217/00013/03	Door Lock Spring	
14	217/00051/14	Door Handle Latch	

Shell

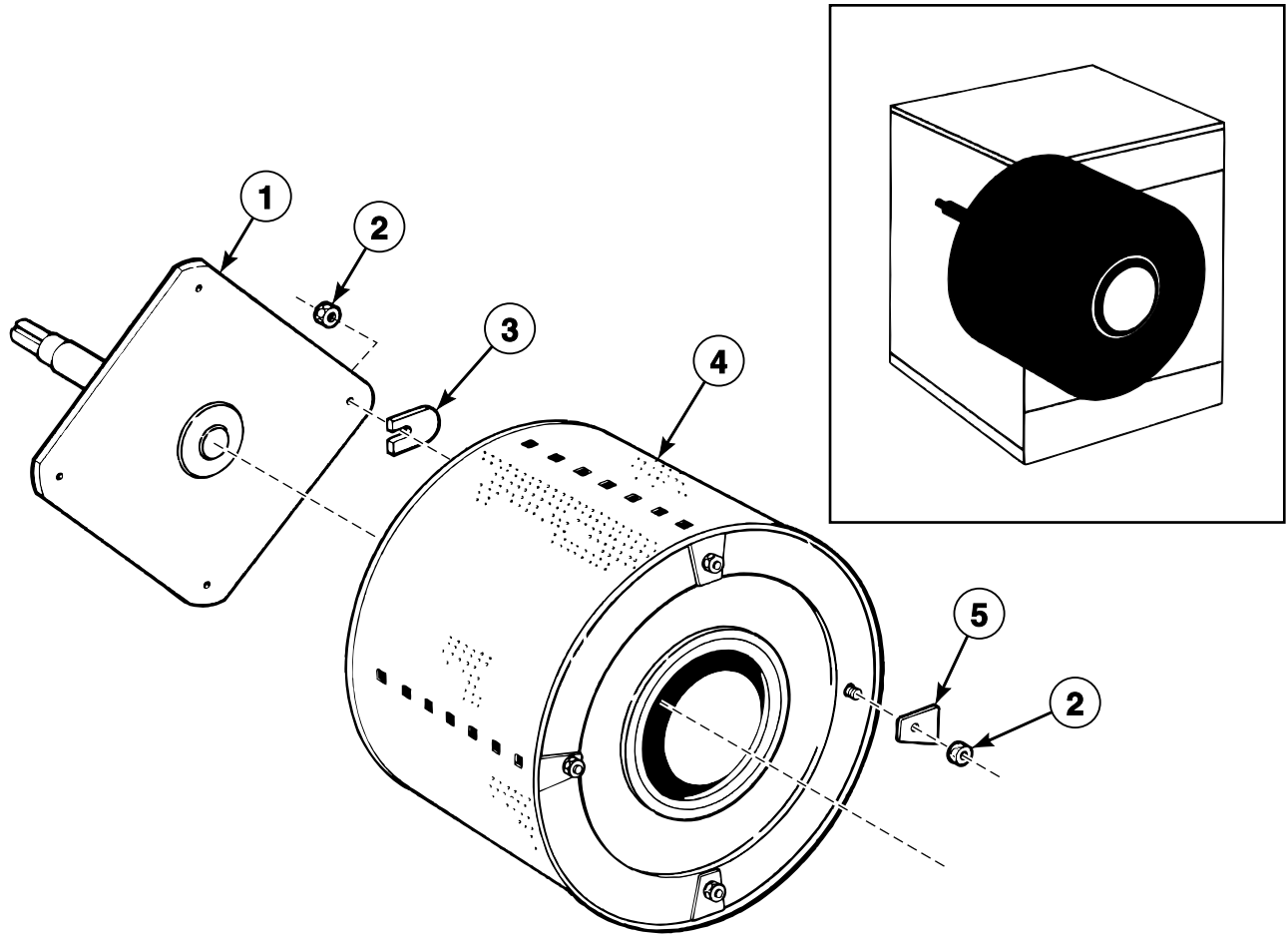


BE000256P_D0901

Shell

REF	PART NO.	DESCRIPTION	COMMENTS
1	115/00149/00	Tightening Assembly Ring	HF145 models
	115/00141/00	Tightening Assembly Ring	HF205 models
2	206/00005/00	Bolt	
3	201/00010/00	Washer	
4	204/00110/00	Nut	
5	115/00161/00	Tub Front Mounting Strap	
6	204/00005/00	Nut	
7	202/00003/00	Washer	
8	206/00011/00	Bolt	
9	209/00116/00	Heating Element	1400W; 220 Volt
	209/00563/30	Heating Element	2000W; 220/240 Volt
	209/00049/00	Heating Element	3000W; 220/240 Volt
	209/00581/00	Heating Element	4000W; 380 Volt
10	204/00111/00	Nut	
11	206/00066/00	Bolt	
12	137/00008/00	Tub Mounting Strap	
13	223/00242/40	Tub Front Panel Gasket	
14	138/00001/00	Tub Front	
15	202/00101/00	Washer	
16	205/00103/00	Bolt	
17	111/05015/00	Door Front Panel	
18	115/00140/00	Counterweight	
19	246/00092/00	Gasket	Sold per meter
20	131/00006/00	Steam Injector	
21	217/00025/00	Steam Hose	
22	118/00063/01	Steam Connection Plate	
23	118/00063/00	Steam Hose Connector	
24	206/00013/00	Bolt	
25	248/00115/00	Bolt	
26	201/00001/00	Washer	
27	115/00151/00	Spacer	
28	204/00113/00	Nut	
29	217/00008/00	Tub Front Panel Clip	
30	238/00011/00	Tub Clamp Ring	
31	119/00224/00	Outer Tub	HF145 models; Boiler fed
	119/00221/00	Outer Tub	HF145 models; Electric heat
	119/00222/00	Outer Tub	HF145 models; Electric and steam heat
	119/00223/00	Outer Tub	HF145 models; Steam heat
	119/00200/00	Outer Tub	HF205 models; Boiler fed
	119/00201/00	Outer Tub	HF205 models; Electric heat
	119/00203/00	Outer Tub	HF205 models; Electric and steam heat
	119/00202/00	Outer Tub	HF205 models; Steam heat
32	217/00050/00	Mounting Piece	
33	206/00111/00	Screw	
34	115/00162/00	Tub Tightening Ring	

Basket

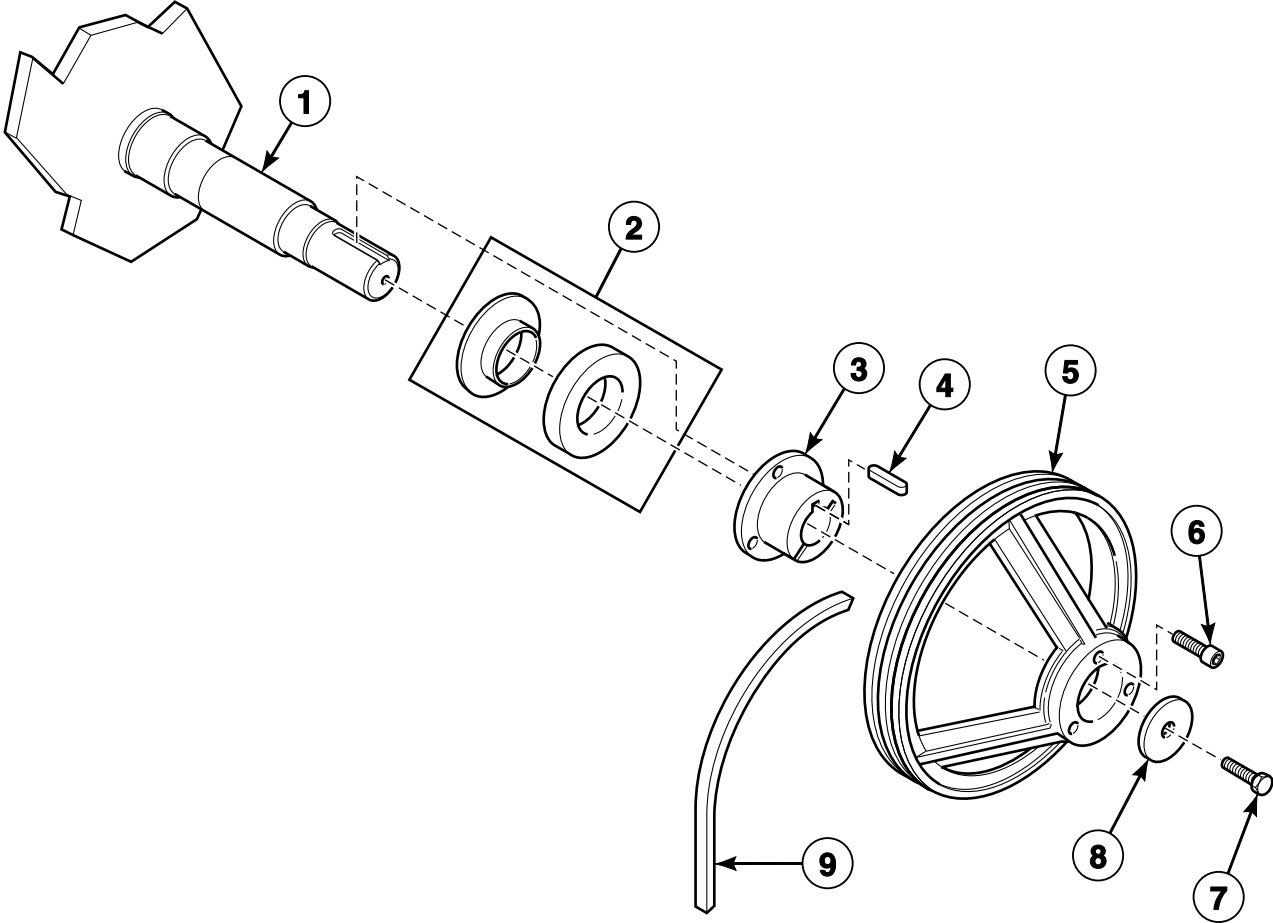


BE000257P_D0901

Basket

REF	PART NO.	DESCRIPTION	COMMENTS
1	132/00002/02	Shaft	
2	204/00108/00	Nut	
3	132/00002/00	Washer	
4	119/10081/96	Drum and Axle	HF145 models
	119/10081/99	Drum and Axle	HF205 models
	123/10012/00	Drum and Axle	HF145 models; Includes axle
	123/10006/00	Drum and Axle	HF205 models; Includes axle
5	139/00004/05	Cylinder Plate	

Pulley and Belt

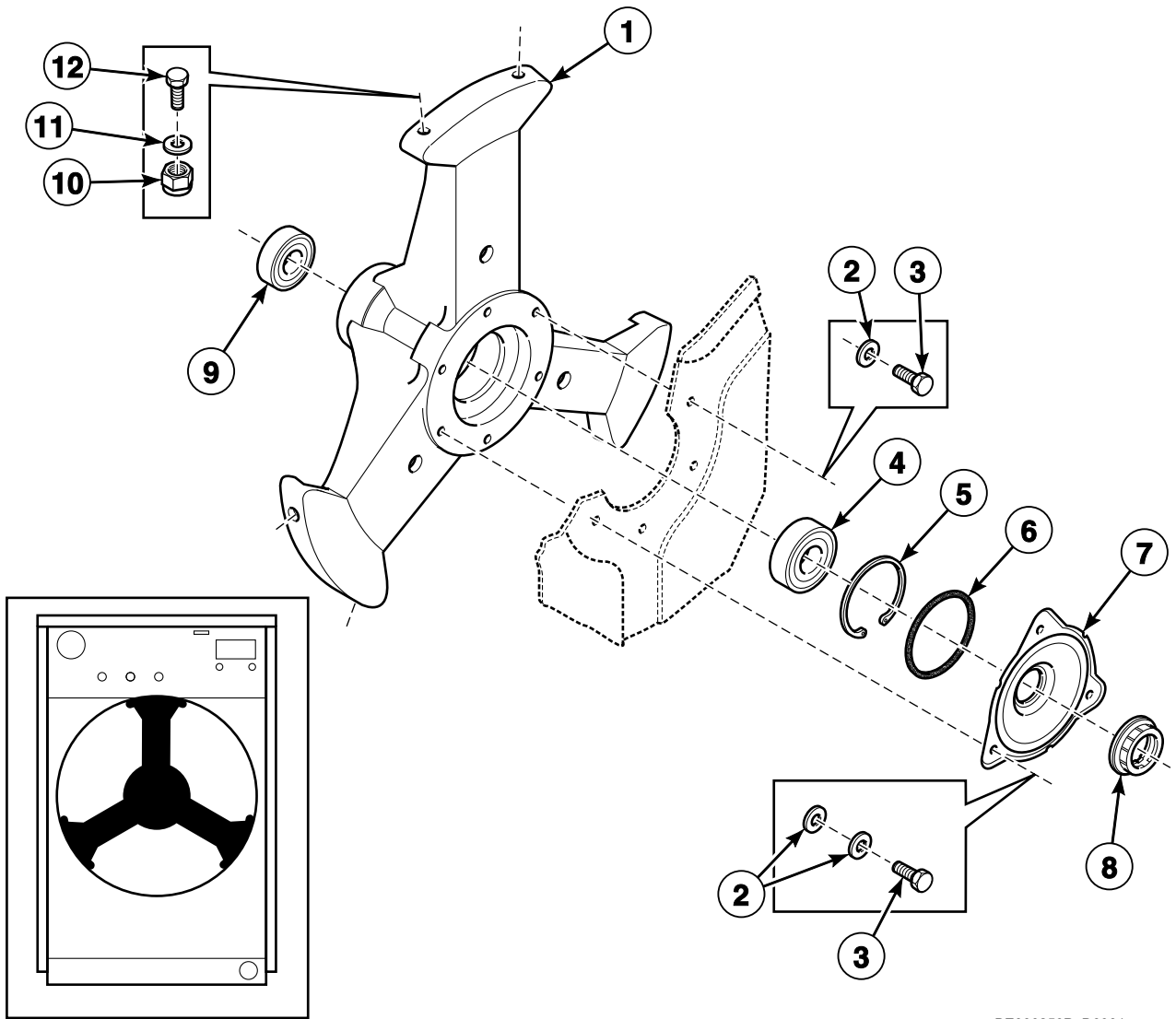


BE000258P_D0901

Pulley and Belt

REF	PART NO.	DESCRIPTION	COMMENTS
1	132/00002/02	Shaft	
2	219/00004/00	Counter Ring	
3	239/00013/00	Pulley	
4	212/00026/00	Key	
5	226/00100/01	Pulley	
6	239/00005/03	Bolt	
7	206/00004/00	Bolt	
8	201/00011/00	Washer	
9	226/00043/00	Belt	Models with 2 motors
	226/00102/01	Belt	Models with an inverter drive

Bearing Housing

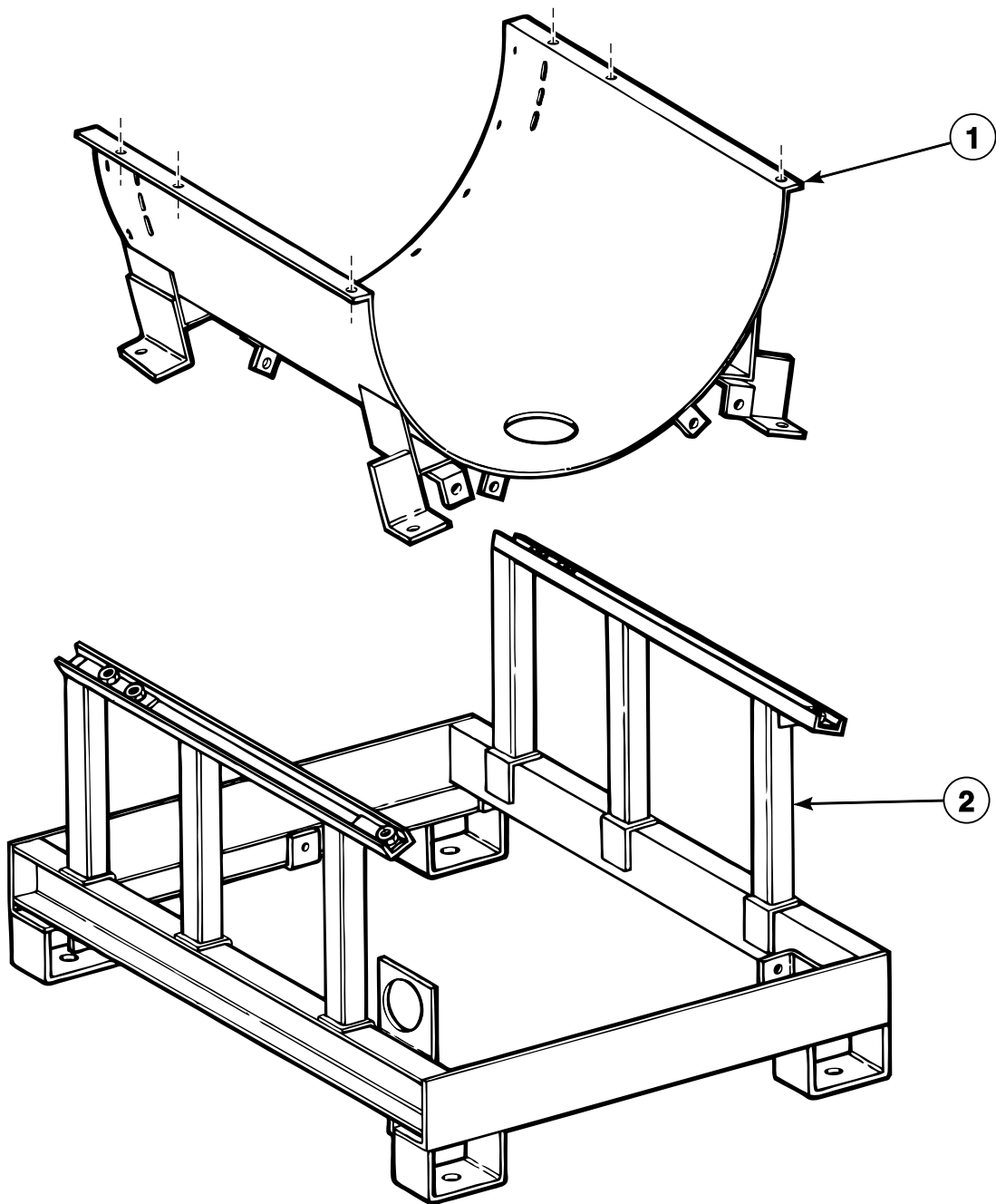


BE000259P_D0901

Bearing Housing

REF	PART NO.	DESCRIPTION	COMMENTS
1	139/10006/00	Bearing Housing Assembly	
2	201/00201/00	Washer	
3	205/00102/00	Bolt	
4	212/00004/00	Ball Bearing	
5	212/00006/00	Retainer Ring	
6	217/00002/00	O-Ring	
7	119/00001/00	Seal Plate	
8	219/00003/00	Shaft Seal	
9	212/00024/00	Ball Bearing	
10	204/00113/00	Nut	
11	201/00002/00	Washer	
12	248/00114/00	Bolt	

Frame

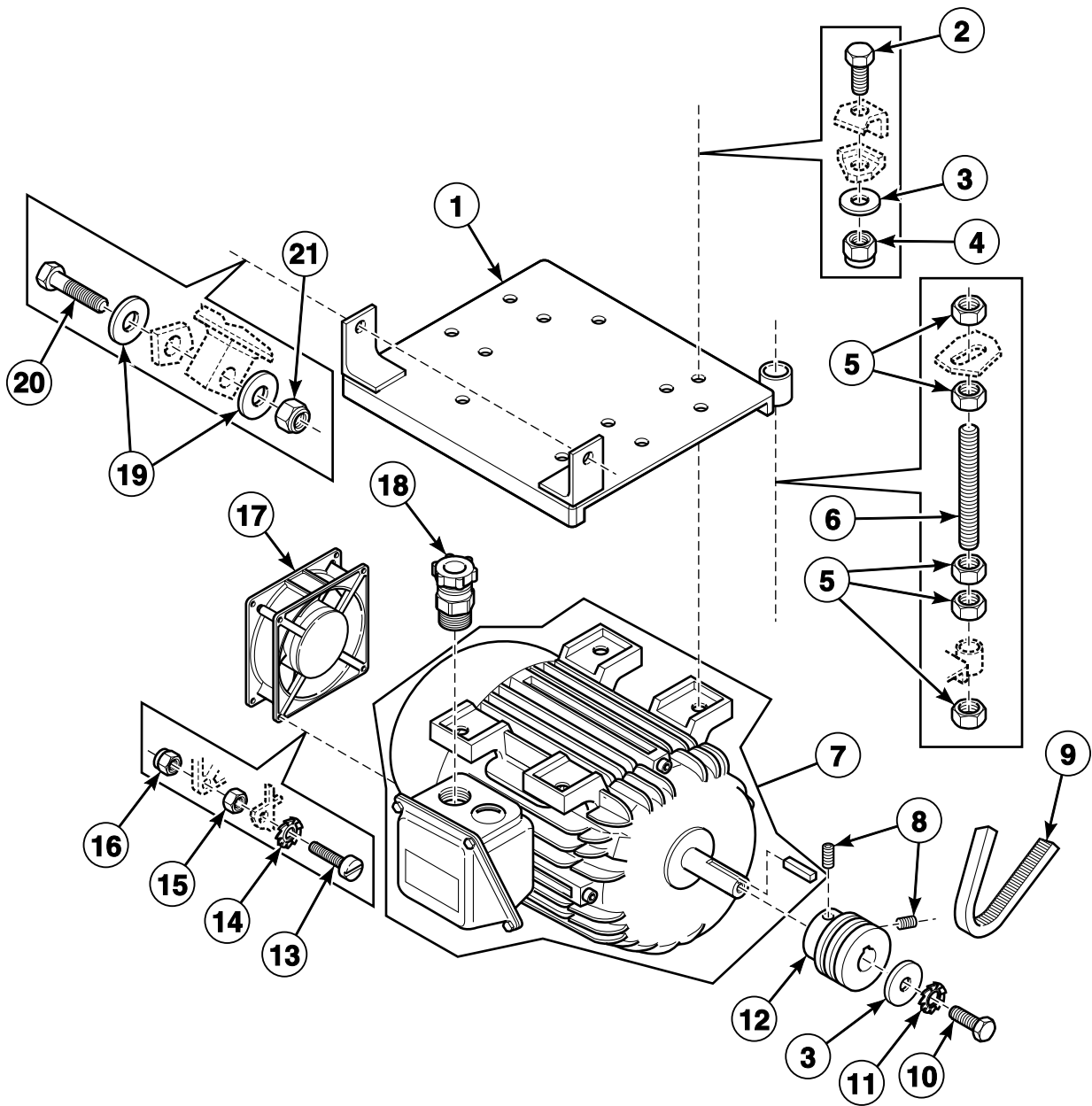


BE000260P_D0901

Frame

REF	PART NO.	DESCRIPTION	COMMENTS
1	115/00143/00	Tub Support	HF145 models
	115/00126/00	Tub Support	HF205 models
2	114/00009/00	Frame	
	114/00019/50	Frame	

Motor

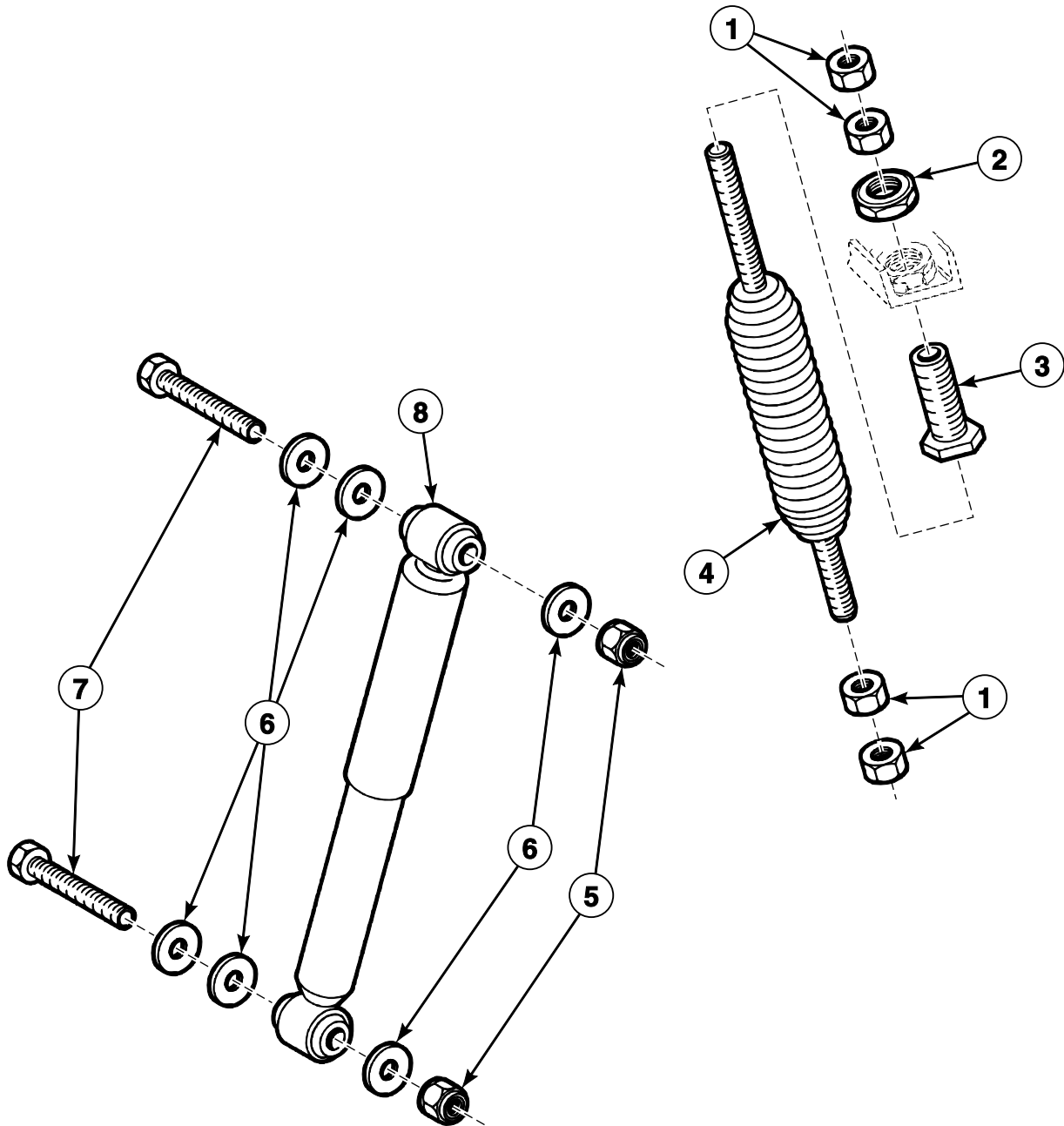


BE000263P_D0901

Motor

REF	PART NO.	DESCRIPTION	COMMENTS
1	115/00126/12	Motor Plate	
2	206/00003/00	Bolt	
3	201/00004/00	Washer	
4	204/00111/00	Nut	
5	204/00019/00	Nut	
6	115/00126/16	Belt Adjusting Rod	
7	B12511401	Motor	
8	206/00049/00	Screw	
9	226/00043/00	Belt	Models with 2 motors
	226/00102/01	Belt	Models with an inverter drive
10	206/00006/00	Bolt	
11	203/00002/00	Washer	
12	226/00105/00	Pulley	
13	206/00088/00	Bolt	
14	203/00006/00	Washer	
15	204/00007/00	Nut	
16	204/00114/00	Nut	
17	209/00287/00	Cooling Fan	
18	211/00138/00	Cordlock	
19	201/00002/00	Washer	
20	206/00001/00	Screw	
21	204/00113/00	Nut	

Shock Absorber

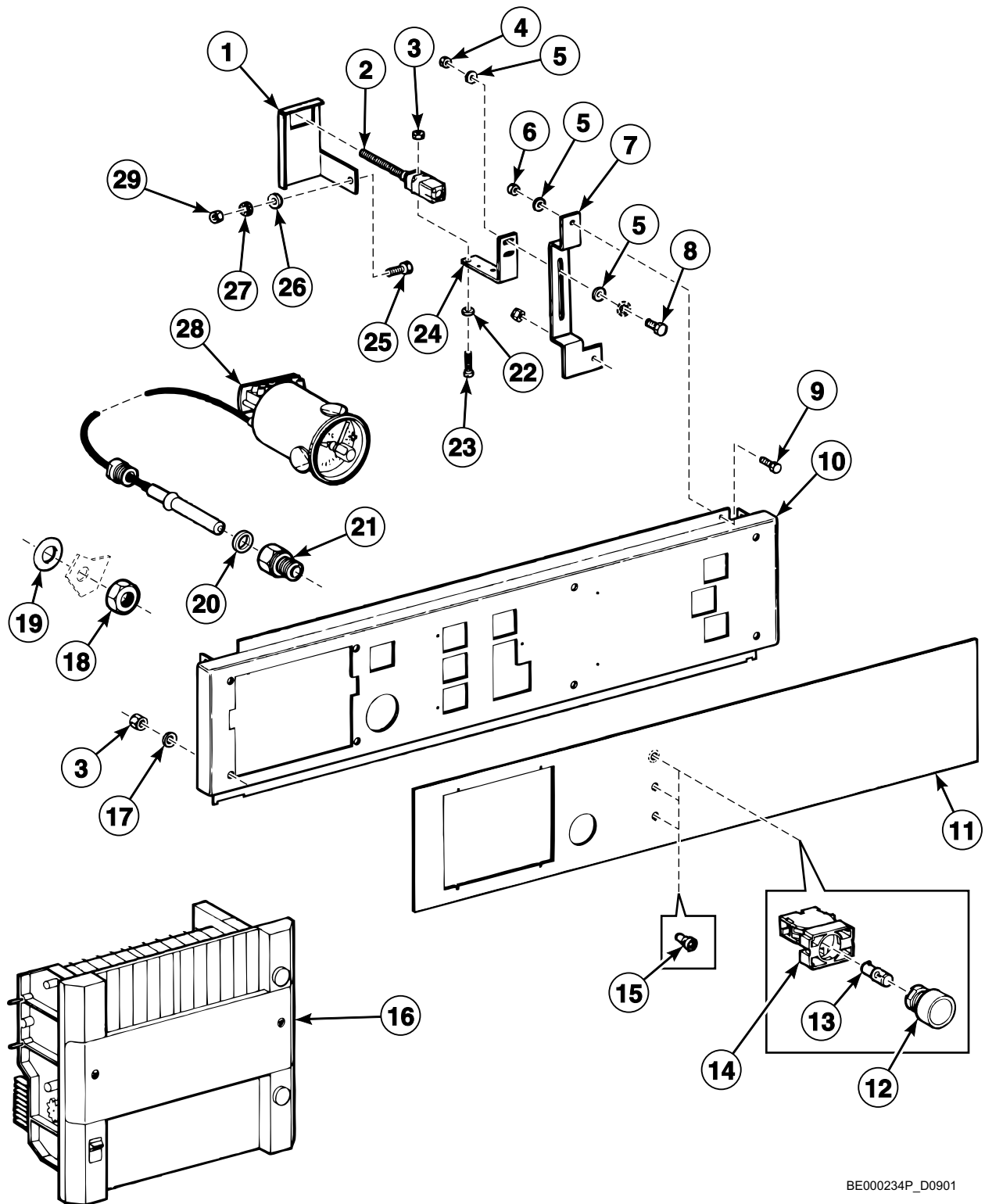


BE000264P_D0901

Shock Absorber

REF	PART NO.	DESCRIPTION	COMMENTS
1	204/00012/00	Nut	
2	204/00016/00	Nut	
3	224/00046/00	Bolt	
4	B12456301	Suspension Spring	
5	204/00112/00	Nut	
6	201/00012/00	Washer	
7	206/00045/00	Bolt	
8	247/00008/00	Shock Absorber	

Control Panel - Fiber Card System

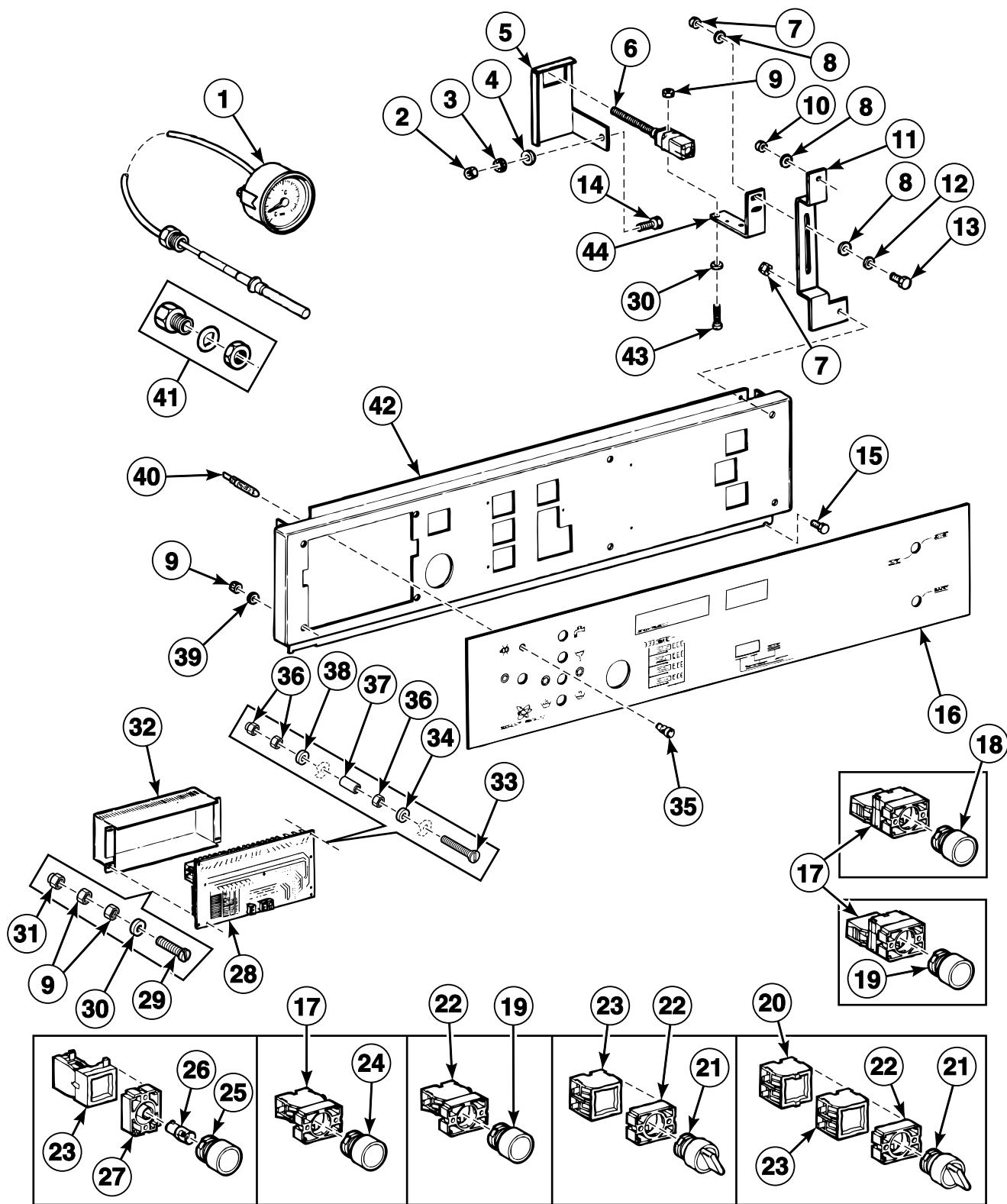


BE000234P_D0901

Control Panel - Fiber Card System

REF	PART NO.	DESCRIPTION	COMMENTS
1	111/32959/00	Out-of-Balance Switch Bracket	
2	209/00255/00	Out-of-Balance Switch	
3	204/00007/00	Nut	
4	204/00005/00	Nut	
5	201/00007/00	Washer	
6	204/00009/00	Nut	
7	209/00255/01	Switch	
8	206/00014/00	Bolt	
9	206/00015/00	Bolt	
10	111/32705/00	Front Panel	
11	225/00274/AOL	Facia Panel	
12	209/00254/21	Pushbutton	
13	209/00249/00	Pilot Light	
14	209/00254/00	Pushbutton	
15	209/00152/00	Lens Cover	
16	209/00257/00	Card Reader	
17	201/00008/00	Washer	
18	223/00038/01	Nut	
19	223/00065/01	Washer	
20	223/00065/02	Thermostat Joint	
21	223/00065/00	Thermostat Seal	
22	203/00006/00	Washer	
23	207/00018/00	Screw	
24	111/00107/00	Tilt Switch Bracket	
25	206/00005/00	Bolt	
26	201/00010/00	Washer	
27	203/00002/00	Washer	
28	209/00143/00	Thermostat	3 temperature
	209/00144/00	Thermostat	2 temperature
29	204/00003/00	Nut	

Control Panel - PLC9

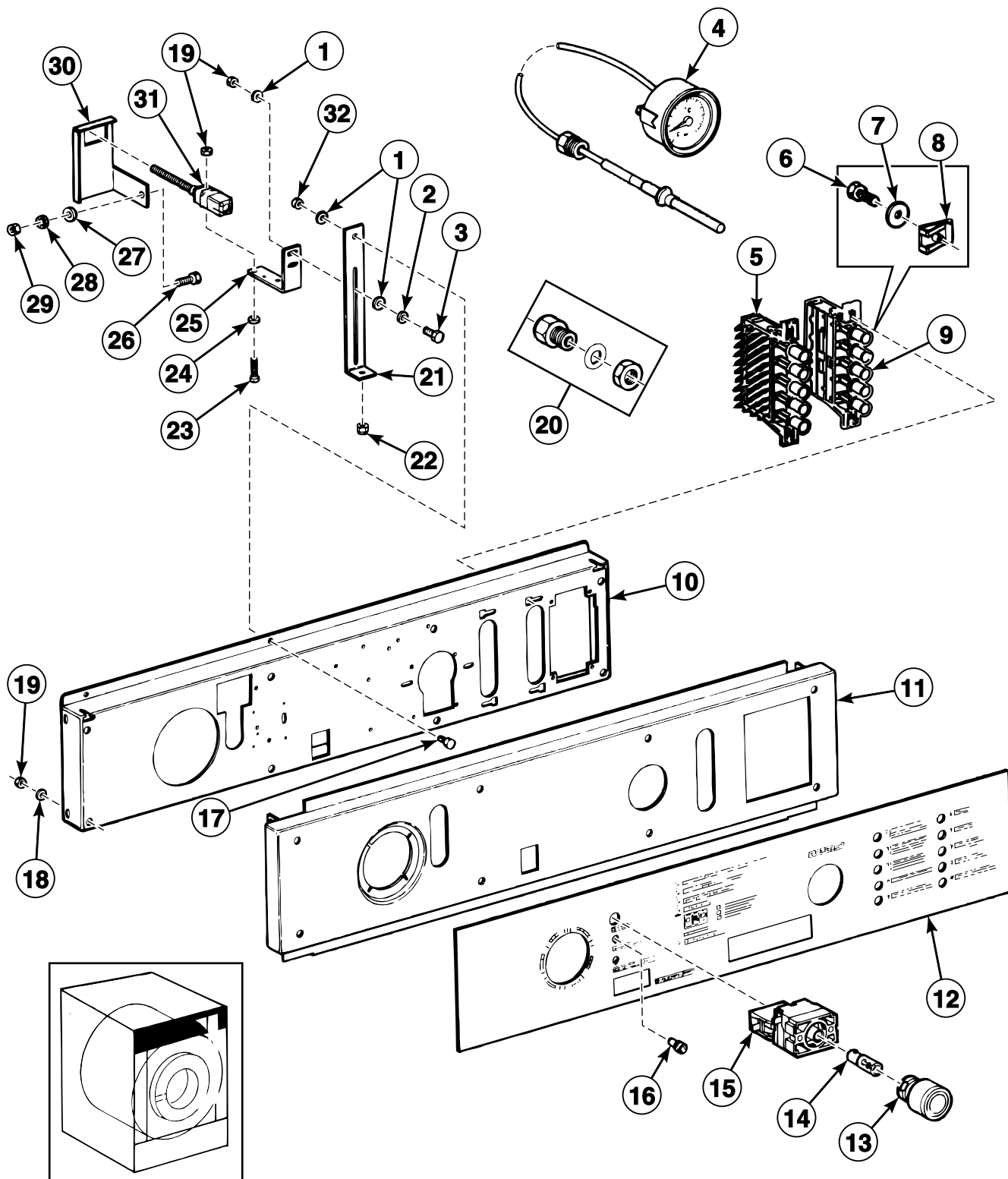


BE000236P_D0901

Control Panel - PLC9

REF	PART NO.	DESCRIPTION	COMMENTS
1	211/00115/00	Thermostat	
2	204/00003/00	Nut	
3	203/00002/00	Washer	
4	201/00010/00	Washer	
5	111/32959/00	Out-of-Balance Switch Bracket	
6	209/00255/00	Out-of-Balance Switch	
7	204/00009/00	Nut	
8	201/00007/00	Washer	
9	204/00007/00	Nut	
10	204/00005/00	Nut	
11	209/00255/02	Switch	
12	203/00004/00	Washer	
13	206/00014/00	Bolt	
14	206/00005/00	Bolt	
15	206/00015/00	Bolt	
16	225/00202/AOL	Facia Panel	
17	209/00099/05	Contact	
18	209/00099/04	Button	
19	209/00252/00	Button	
20	209/00099/06	Contact Switch	
21	209/00099/08	Button	
22	209/00253/00	Emergency Stop Button Kit	
23	209/00099/07	Contact Switch	
24	209/00251/00	Button	
25	209/00280/01	Button	
26	209/00249/00	Pilot Light	
27	209/00254/00	Pushbutton	
28	209/00266/00	Timer	
29	207/00008/00	Screw	
30	203/00006/00	Washer	
31	204/00114/00	Nut	
32	111/32106/00	Plate	
33	207/00025/00	Screw	
34	203/00007/00	Washer	
35	209/00152/00	Lens Cover	
36	204/00008/00	Nut	
37	211/00106/00	Spacer	
38	223/00123/00	Washer	
39	201/00008/00	Washer	
40	209/00151/00	Lamp	
41	223/00065/00	Thermostat Seal	
42	111/32705/00	Front Panel	
43	207/00018/00	Screw	
44	111/00107/00	Tilt Switch Bracket	

Control Panel - 10-Button Mechanical Timer

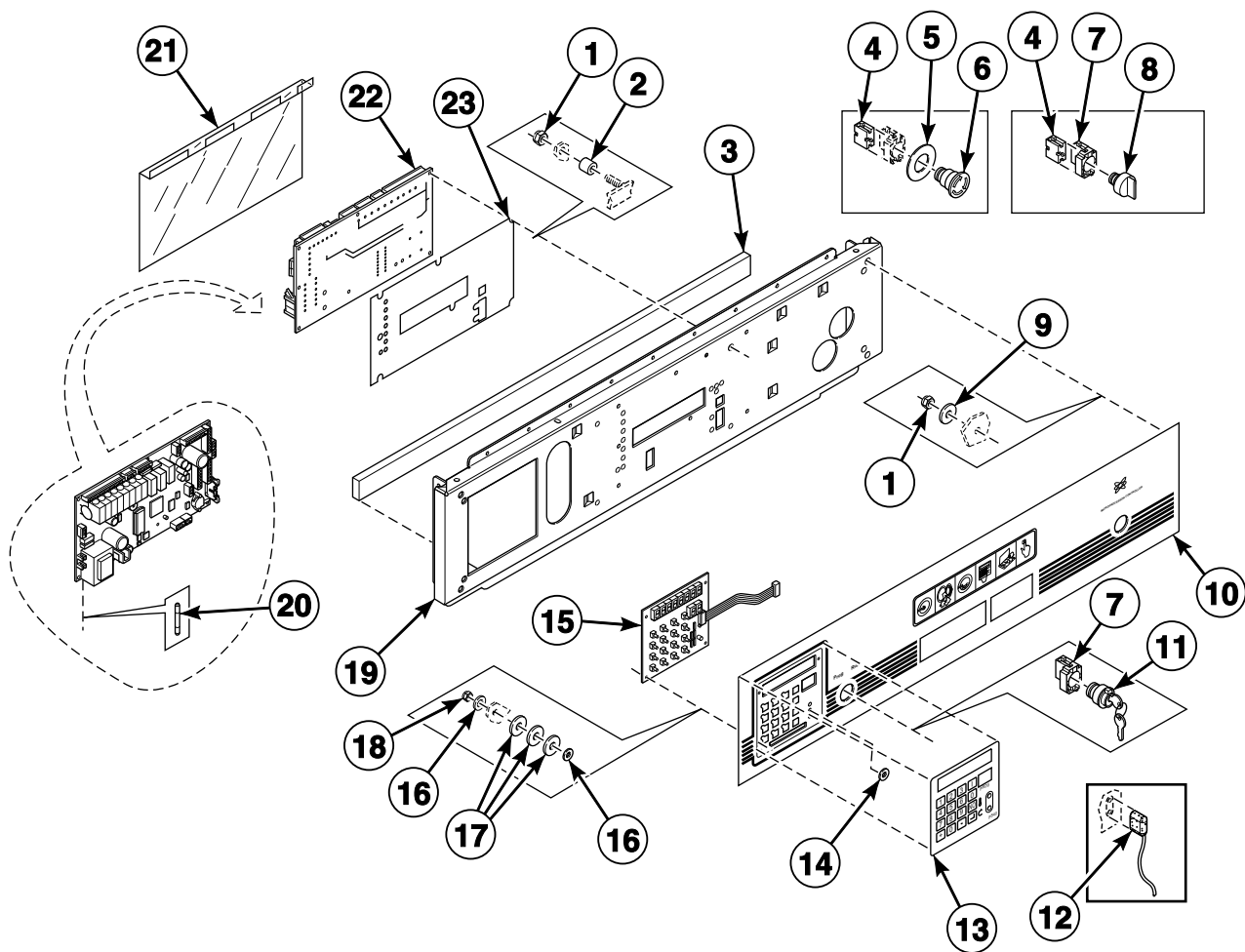


BE000238P_D0901

Control Panel - 10-Button Mechanical Timer

REF	PART NO.	DESCRIPTION	COMMENTS
1	201/00007/00	Washer	
2	203/00004/00	Washer	
3	206/00014/00	Bolt	
4	211/00115/00	Thermostat	
5	209/00175/00	Selector Switch	
6	206/00016/00	Bolt	
7	202/00003/00	Washer	
8	204/00013/00	Nut	
9	209/00176/00	Selector Switch	
10	140/00001/00	Bridge	
11	111/32706/00	Bridge	
12	225/00158/ABL	Front Panel	Dutch
	225/00159/ABL	Front Panel	French
	225/00160/ABL	Facia Panel	English
	225/00161/ABL	Front Panel	Spanish
13	209/00254/21	Pushbutton	
14	209/00249/00	Pilot Light	
15	209/00254/00	Pushbutton	
16	209/00152/00	Lens Cover	
17	206/00015/00	Bolt	
18	201/00008/00	Washer	
19	204/00007/00	Nut	
20	223/00065/00	Thermostat Seal	
21	209/00255/01	Switch	
22	204/00005/00	Nut	
23	207/00018/00	Screw	
24	203/00006/00	Washer	
25	111/00107/00	Tilt Switch Bracket	
26	206/00005/00	Bolt	
27	201/00010/00	Washer	
28	203/00002/00	Washer	
29	204/00003/00	Nut	
30	111/32959/00	Out-of-Balance Switch Bracket	
31	209/00255/00	Out-of-Balance Switch	
32	204/00009/00	Nut	

Control Panel - PS40F

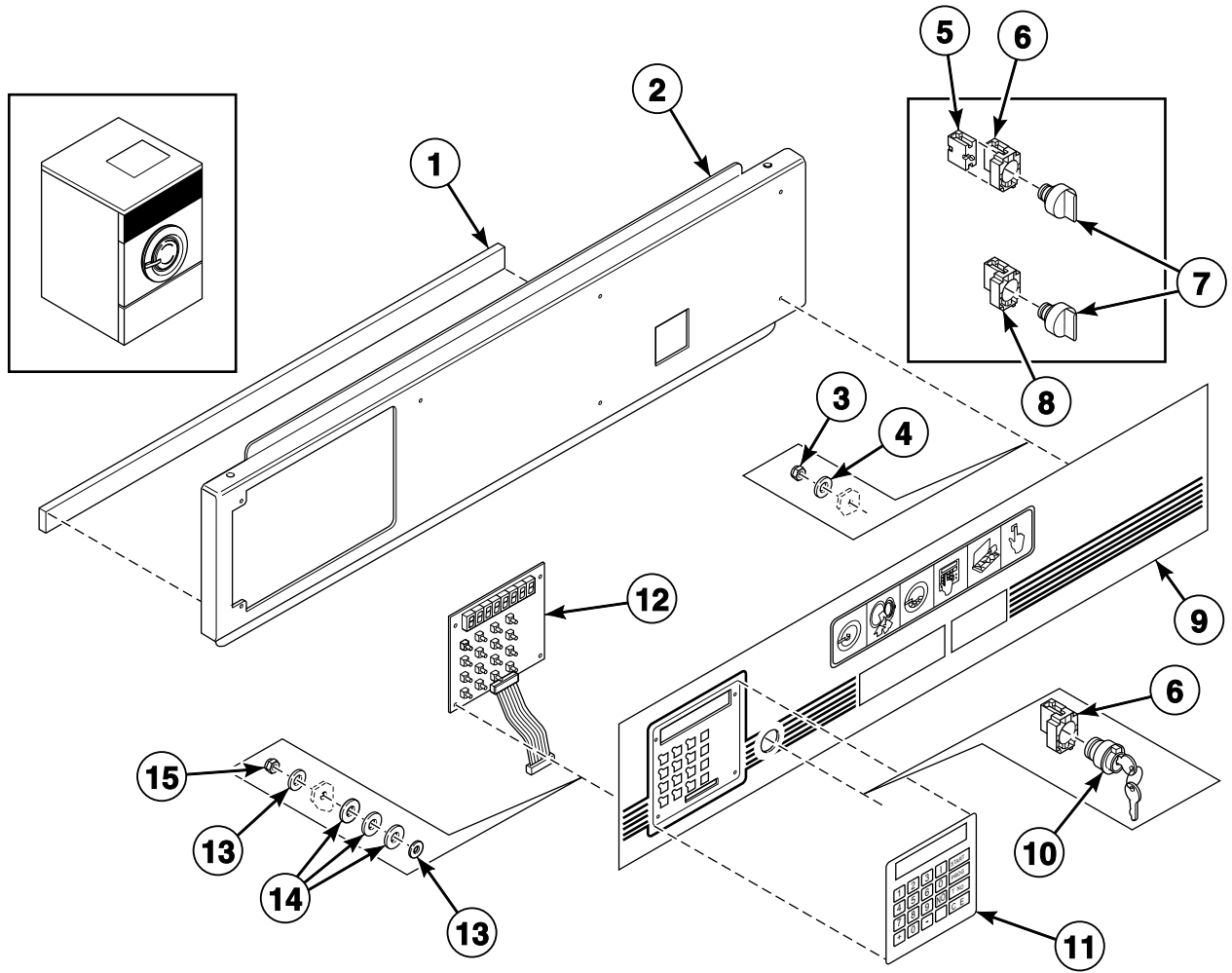


BE000555P_D0901

Control Panel - PS40F

REF	PART NO.	DESCRIPTION	COMMENTS
1	204/00116/00	Nut	
2	211/00122/00	Standoff	
3	246/00149/00	Gasket	
4	209/00099/26	Contact Switch	
5	209/00520/00	Telem Sticker	
6	209/00248/20	Mushroom Pushbutton	
7	209/00099/25	Switch Base	
8	209/00099/29	Switch Knob	
9	201/00008/00	Washer	
10	225/00272/00	Upper Front Panel	
11	209/00326/20	Programming Key Contact Switch	
12	210/00902/00	Infrared Cable	
13	225/00365/00	Overlay	
14	202/00120/00	Metal Disc	
15	209/00552/01	Keypad	
16	223/00123/00	Washer	
17	223/00051/10	Washer	
18	204/00116/00	Nut	
19	111/32710/00	Front Panel	
20	209/00372/01	Fuse	
21	229/00262/00	Circuit Board Cover	
22	B12351701	Main Board	
23	229/00255/00	Insulating Sticker	

Control Panel - PC30

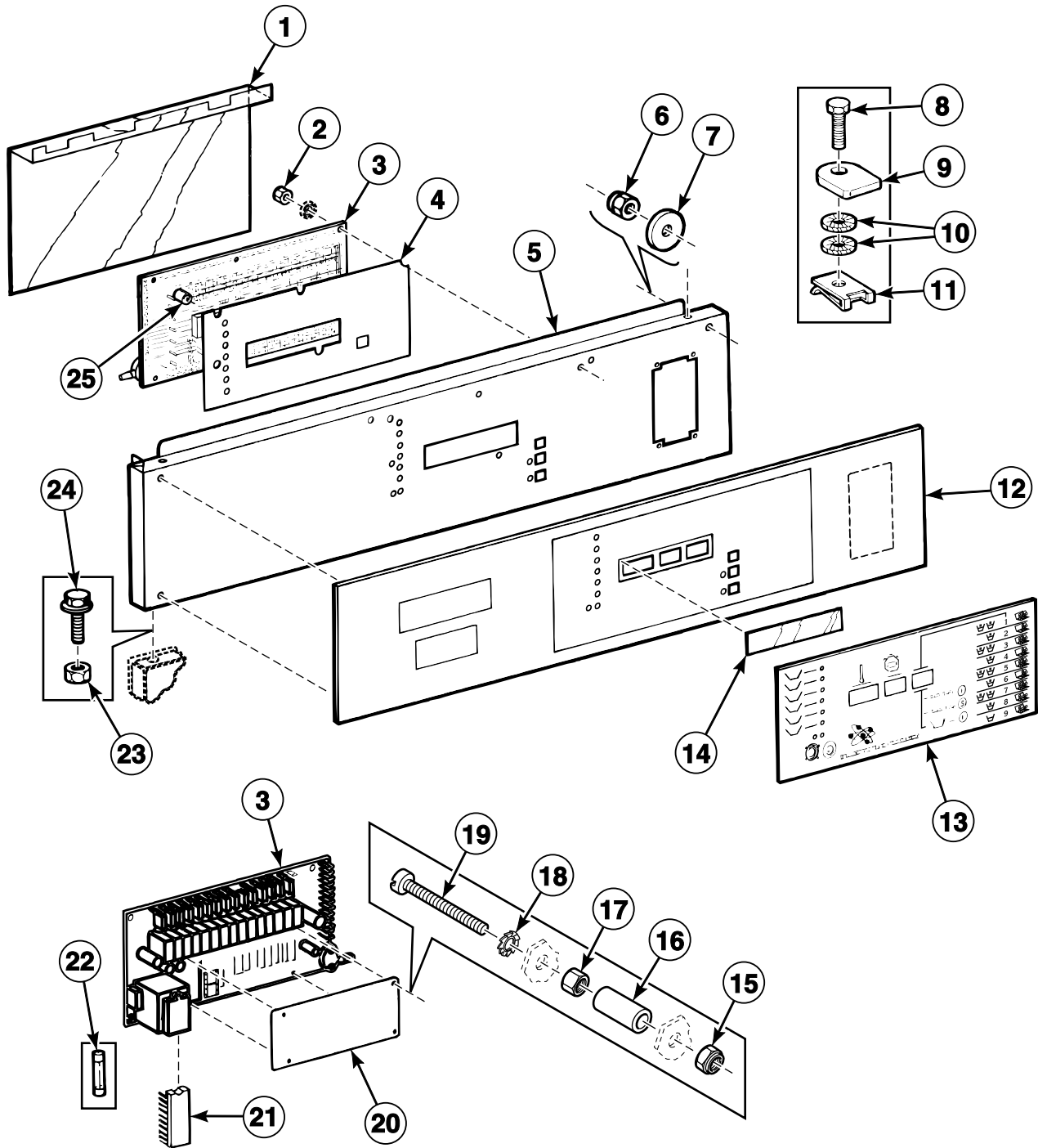


BE000242P_D0901

Control Panel - PC30

REF	PART NO.	DESCRIPTION	COMMENTS
1	246/00149/00	Gasket	
2	111/32710/00	Front Panel	
3	204/00114/00	Nut	
4	201/00008/00	Washer	
5	209/00099/07	Contact Switch	NC
	209/00099/06	Contact Switch	NO
6	209/00099/05	Contact	
7	209/00099/09	Button	
8	209/00253/00	Emergency Stop Button Kit	
9	225/00302/00	Front Panel	
10	209/00326/00	Programming Switch	
11	229/00245/00	Label	
12	209/00323/01	Keyboard	
13	223/00123/00	Washer	
14	223/00051/10	Washer	
15	204/00116/00	Nut	

Control Panel - Micro 20

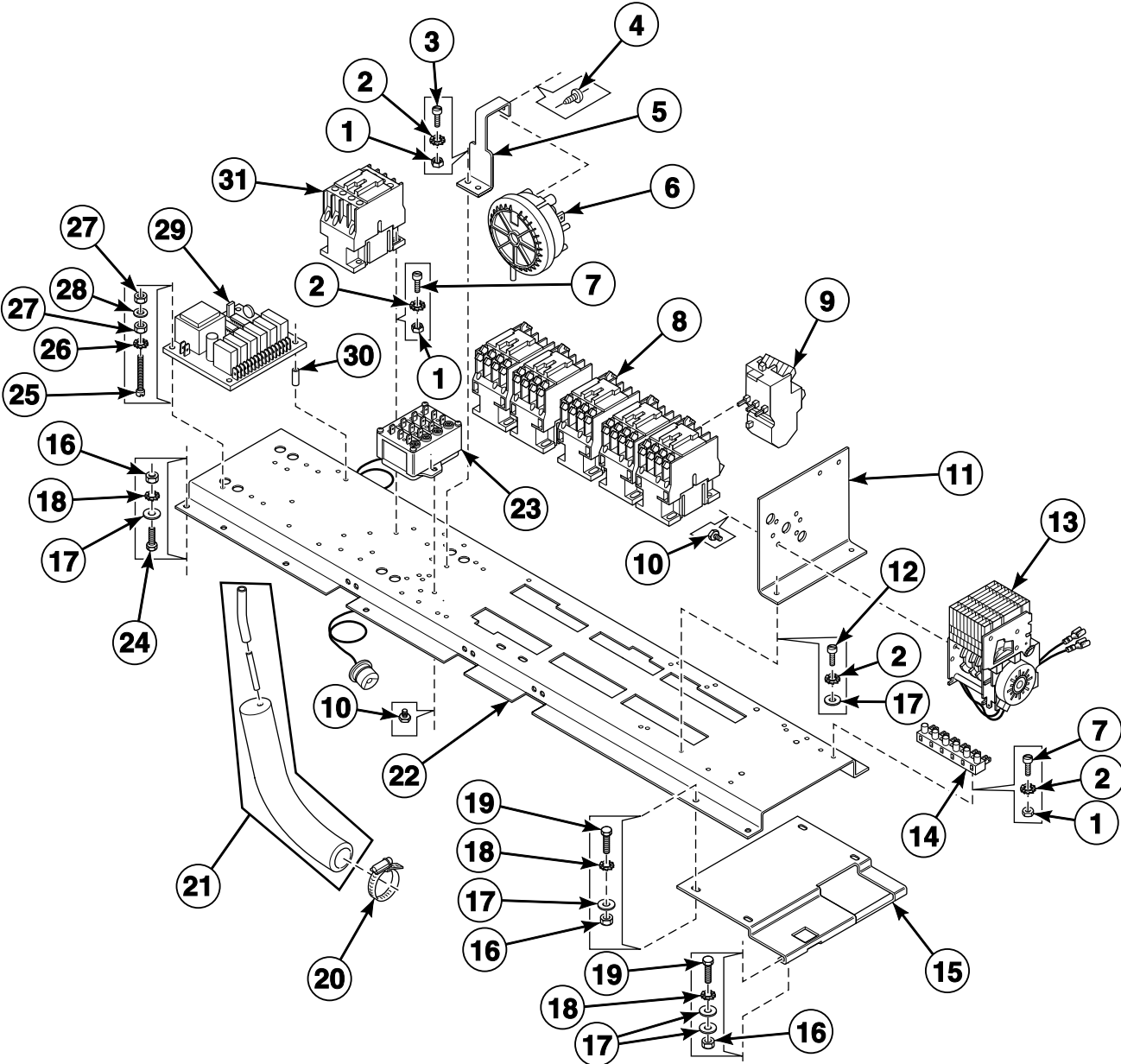


BE000244P_D0901

Control Panel - Micro 20

REF	PART NO.	DESCRIPTION	COMMENTS
1	229/00262/00	Circuit Board Cover	
2	204/00116/00	Nut	
3	209/00440/00	Printboard	
4	229/00255/00	Insulating Sticker	
5	111/32708/00	Bridge	
6	204/00009/00	Nut	
7	201/00007/00	Washer	
8	205/00106/00	Bolt	
9	117/00042/00	Retaining Ring	
10	203/00005/00	Washer	
11	204/00013/00	Nut	
12	225/00298/AOL	Facia Panel	Models HF145_MICRO-20_OPL and HF205_MICRO-20_OPL
	225/00306/AOL	Facia Panel	Models HF145_MICRO-20_COIN and HF205_MICRO-20_COIN
13	225/00309/00	Sticker	Models HF145_MICRO-20_OPL and HF205_MICRO-20_OPL
	225/00308/00	Sticker	Models HF145_MICRO-20_COIN and HF205_MICRO-20_COIN
14	225/00316/00	Plexi Frame	
15	204/00116/00	Nut	
16	211/00106/00	Spacer	
17	204/00008/00	Nut	
18	203/00007/00	Washer	
19	207/00006/00	Screw	
20	111/05006/00	Plate	
21	209/00266/01	Eprom	
22	209/00439/00	Fuse	
23	204/00005/00	Nut	
24	206/00014/00	Bolt	
25	211/00128/00	Printboard Separator	5 mm
	211/00122/00	Standoff	7.5 mm

Electrical Component Mounting Plate - Red Mechanical Timer

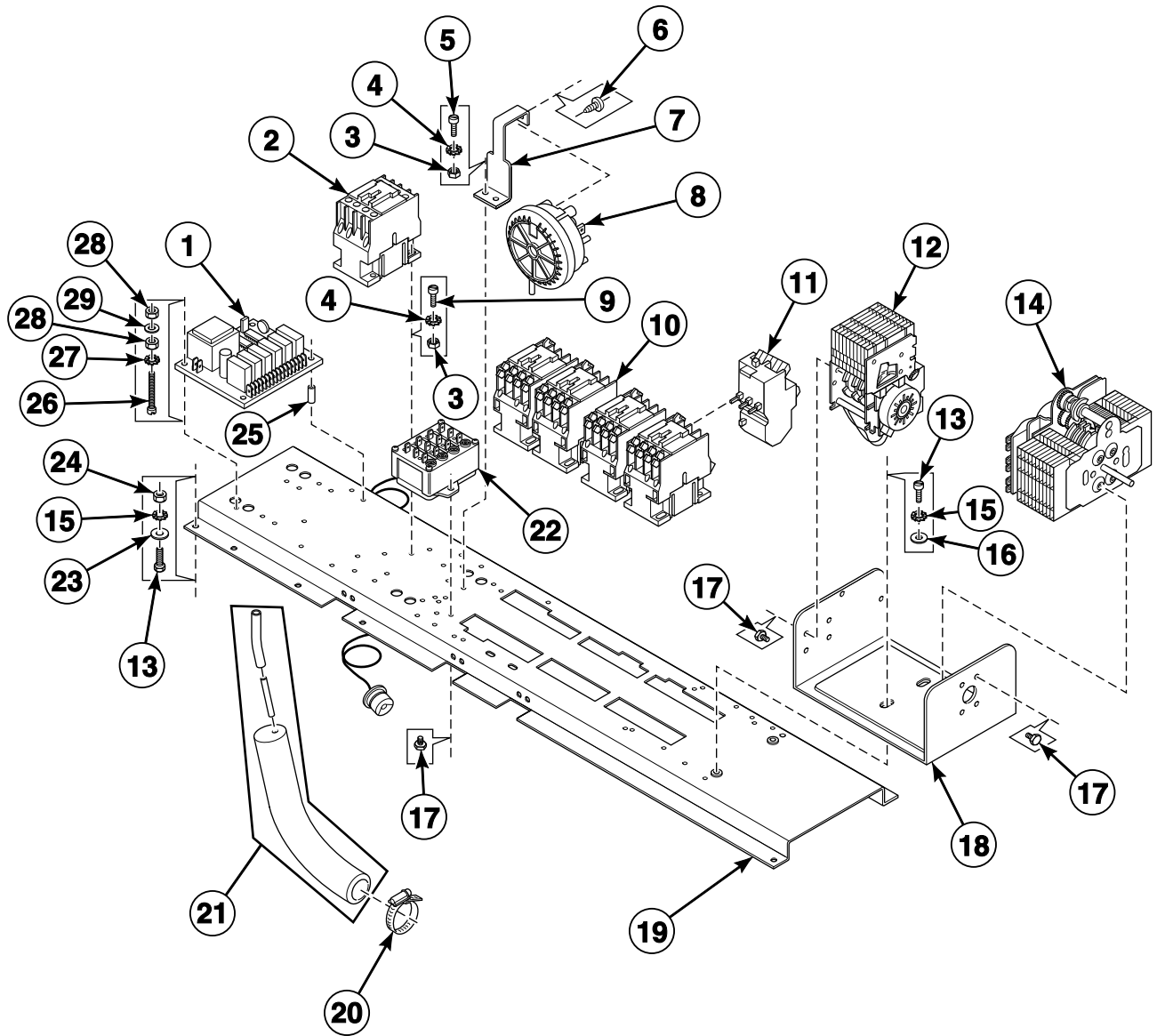


BE000233P_D0901

Electrical Component Mounting Plate - Red Mechanical Timer

REF	PART NO.	DESCRIPTION	COMMENTS
1	204/00007/00	Nut	
2	203/00006/00	Washer	
3	207/00008/00	Screw	
4	208/00007/00	Screw	
5	111/00424/00	Pressure Switch Bracket	
6	209/00007/30	Pressure Switch	
7	207/00003/00	Screw	
8	209/00041/03	Contactora	
9	209/00283/00	Protector	1-1.6A
	209/00284/00	Protector	1.6-2.5A
	209/00263/00	Protector	2.5-4A
	209/00264/00	Protector	4-6A
	209/00285/00	Protector	5.5-8A
	209/00265/00	Protector	7-10A
	209/00299/00	Protector	9-13A
	209/00132/00	Protector	13-18A
10	206/00021/00	Screw	
11	111/00035/00	Mounting Plate	
12	207/00004/00	Screw	
13	209/00012/00	Reversing Timer	220 Volt/50 Hertz
	209/00013/00	Reversing Timer	220 Volt/60 Hertz
14	210/10007/00	Connection	
15	111/32952/01	Assembly Plate	
16	204/00005/00	Nut	
17	202/00003/00	Washer	
18	203/00004/00	Washer	
19	206/00015/00	Bolt	
20	223/00011/00	Hose Clamp	
21	223/00127/00	Sleeve	
22	111/32962/00	Assembly Plate	HF145 models
	111/32952/00	Assembly Plate	HF205 models
23	209/00243/00	Thermostat	
24	206/00014/00	Bolt	
25	207/00014/00	Screw	
26	203/00007/00	Washer	
27	204/00008/00	Nut	
28	223/00123/00	Washer	
29	209/00408/00	Printboard	
30	211/00106/00	Spacer	
31	209/00041/04	Contactora	LC1D0901M7
	209/00148/02	Contactora	LC1D1810M7
	209/00177/02	Contactora	LC1-D2510M5
	209/00149/02	Contactora	LC1-D3210M5
	209/00056/02	Contactora	LC1D4011M5
	209/06150/02	Contactora	LC1D5011M5

Electrical Component Mounting Plate - Yellow Mechanical Timer



BE000237P_D0901

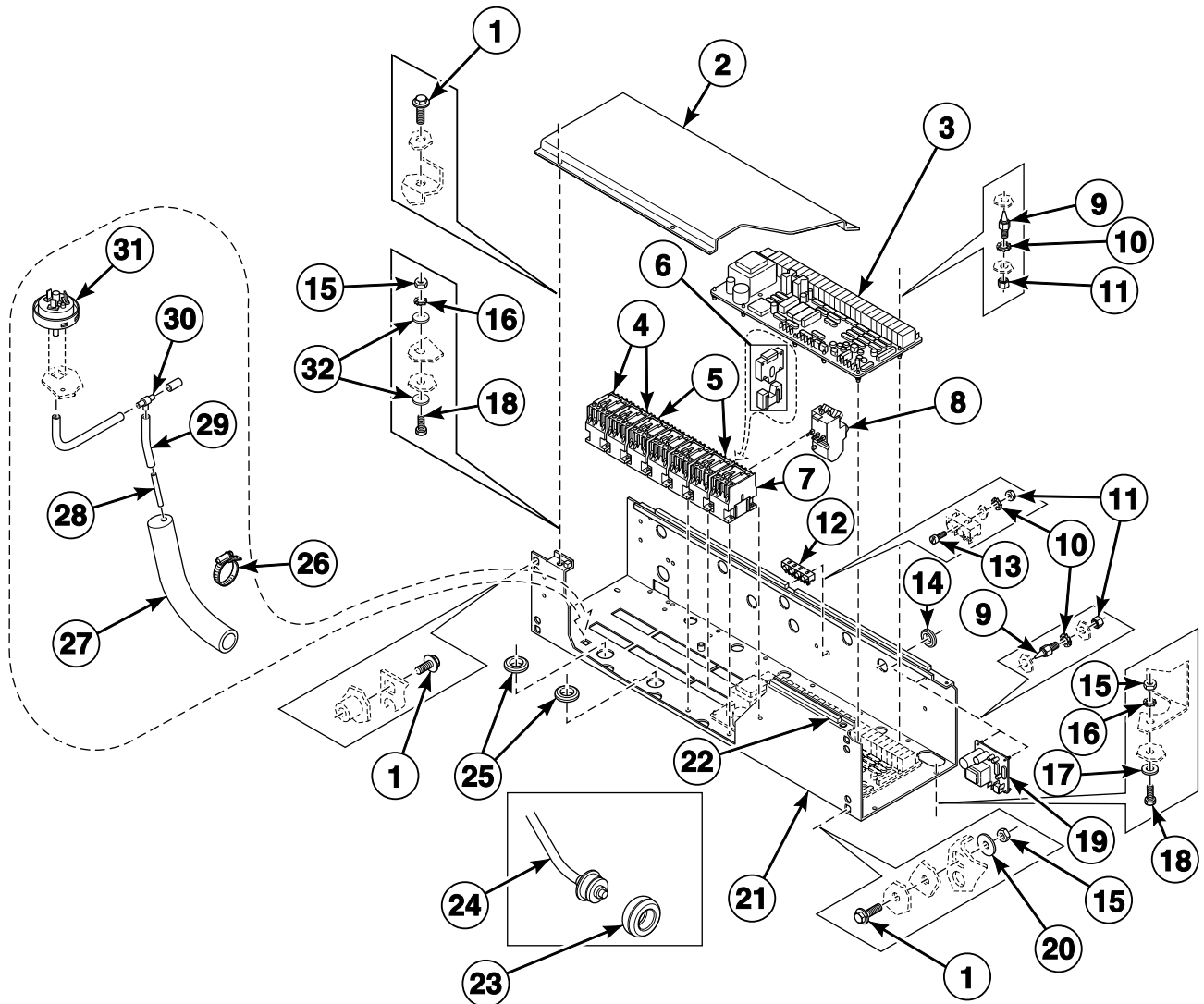
Electrical Component Mounting Plate - Yellow Mechanical Timer

REF	PART NO.	DESCRIPTION	COMMENTS
1	209/00408/00	Printboard	
2	209/00041/04	Contactora	LC1D0901M7; Heating
	209/00148/02	Contactora	LC1D1810M7
	209/00177/02	Contactora	LC1-D2510M5
	209/00149/02	Contactora	LC1-D3210M5
	209/00056/02	Contactora	LC1D4011M5
	209/06150/02	Contactora	LC1D5011M5
3	204/00007/00	Nut	
4	203/00006/00	Washer	
5	207/00008/00	Screw	
6	208/00007/00	Screw	
7	111/00424/00	Pressure Switch Bracket	
8	209/00007/30	Pressure Switch	3 levels
9	207/00003/00	Screw	
10	209/00041/03	Contactora	
11	209/00283/00	Protector	1-1.6A
	209/00284/00	Protector	1.6-2.5A
	209/00263/00	Protector	2.5-4A
	209/00264/00	Protector	4-6A
	209/00285/00	Protector	5.5-8A
	209/00265/00	Protector	7-10A
	209/00299/00	Protector	9-13A
	209/00132/00	Protector	13-18A
12	209/00012/00	Reversing Timer	220 Volt/50 Hertz
	209/00013/00	Reversing Timer	220 Volt/60 Hertz
13	206/00014/00	Bolt	
14	209/00107/00	Timer	
15	203/00004/00	Washer	
16	201/00007/00	Washer	
17	206/00021/00	Screw	
18	111/00016/00	Mounting Plate	
19	140/00011/AO	Assembly Plate	HF205 models
	111/32964/00	Assembly Plate	HF145 models
20	223/00011/00	Hose Clamp	
21	223/00127/00	Sleeve	
22	209/00243/00	Thermostat	
23	202/00003/00	Washer	
24	204/00005/00	Nut	
25	211/00106/00	Spacer	
26	207/00014/00	Screw	
27	203/00007/00	Washer	
28	204/00008/00	Nut	
29	223/00123/00	Washer	

Electrical Component Mounting Plate - Models with Boiler Fed or Steam Heating

REF	PART NO.	DESCRIPTION	COMMENTS
1	206/00099/00	Bolt	
2	111/00188/01	Assembly Plate	Model HF145_PC30
	111/05007/01	Assembly Plate	Model HF205_PC30
3	211/00120/00	Standoff	
4	203/00006/00	Washer	
5	204/00007/00	Nut	
6	204/00005/00	Nut	
7	209/00148/02	Contactora	LC1D1810M7
8	209/00041/03	Contactora	LC1-D09019M7
9	225/00019/00	Holder	
10	223/00198/00	Grommet	
11	209/00323/02	Printboard	
12	207/00003/00	Screw	
13	209/00005/00	Terminal Block	
14	209/00275/04	Door Lock Board	
15	203/00004/00	Washer	
16	202/00101/00	Washer	
17	206/00014/00	Bolt	
18	201/00006/00	Washer	
19	111/00188/00	Assembly Plate	Model HF145_PC30
	111/05007/00	Assembly Plate	Model HF205_PC30
20	246/00092/00	Gasket	Sold per meter
21	225/10004/00	Thermostat Seal	
22	209/00266/08	Thermostat	
23	223/00011/00	Hose Clamp	
24	223/00015/00	Level Switch Elbow	
25	223/00016/00	Hose Barb	
26	223/00212/00	Pressure Switch Hose	
27	223/00173/10	Pressure Switch Hose Tee	
28	209/00007/50	Pressure Switch	
29	201/00007/00	Washer	

Electrical Component Mounting Plate - Models with Electric Heating

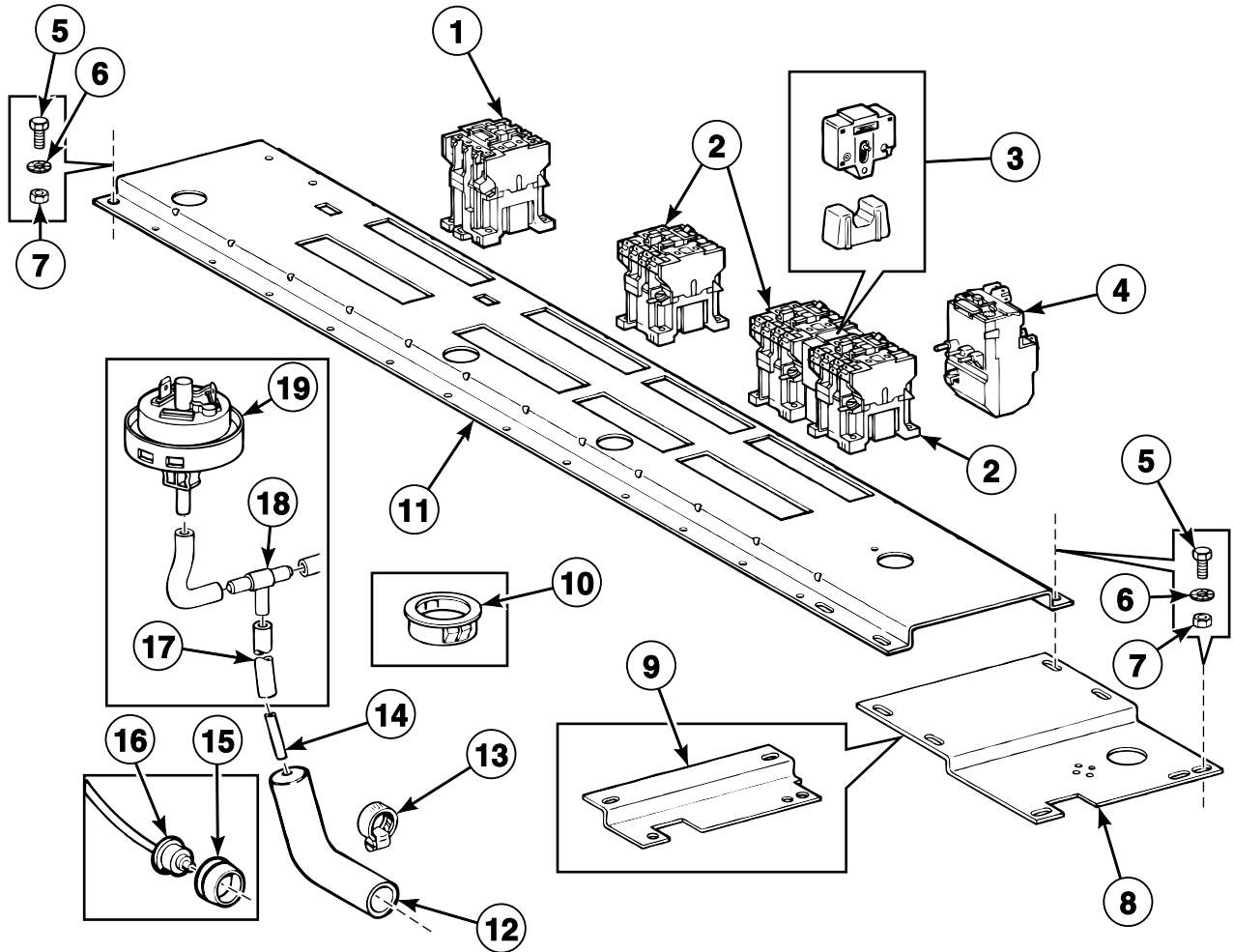


BE000241P_D0901

Electrical Component Mounting Plate - Models with Electric Heating

REF	PART NO.	DESCRIPTION	COMMENTS
1	206/00099/00	Bolt	
2	111/00188/01	Assembly Plate	Model HF145_PC30
	111/05007/01	Assembly Plate	Model HF205_PC30
3	209/00323/02	Printboard	
4	209/00148/02	Contactora	LC1D1810M7
	209/00041/04	Contactora	LC1D0901M7
5	209/00041/03	Contactora	LC1-D09019M7
6	209/00279/00	Lock	
7	209/00041/05	Contactora	LC1D0901M7S061
8	209/00263/00	Protector	2.5-4A
	209/00264/00	Protector	4-6A
	209/00285/00	Protector	5.5-8A
	209/00265/00	Protector	7-10A
	209/00299/00	Protector	9-13A
9	211/00120/00	Standoff	
10	203/00006/00	Washer	
11	204/00007/00	Nut	
12	209/00005/00	Terminal Block	
13	207/00003/00	Screw	
14	225/00019/00	Holder	
15	204/00005/00	Nut	
16	203/00004/00	Washer	
17	202/00101/00	Washer	
18	206/00014/00	Bolt	
19	209/00275/04	Door Lock Board	
20	201/00006/00	Washer	
21	111/00255/00	Assembly Plate	Model HF145_PC30
	111/00242/00	Assembly Plate	Model HF205_PC30
22	246/00092/00	Gasket	Sold per meter
23	225/10004/00	Thermostat Seal	
24	209/00266/08	Thermostat	
25	223/00198/00	Grommet	
26	223/00011/00	Hose Clamp	
27	223/00015/00	Level Switch Elbow	
28	223/00016/00	Hose Barb	
29	223/00212/00	Pressure Switch Hose	
30	223/00173/10	Pressure Switch Hose Tee	
31	209/00007/50	Pressure Switch	
32	201/00007/00	Washer	

Electrical Component Mounting Plate - Micro-20

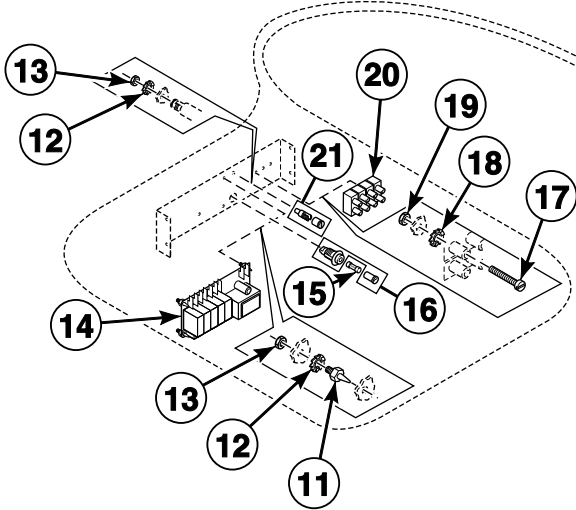
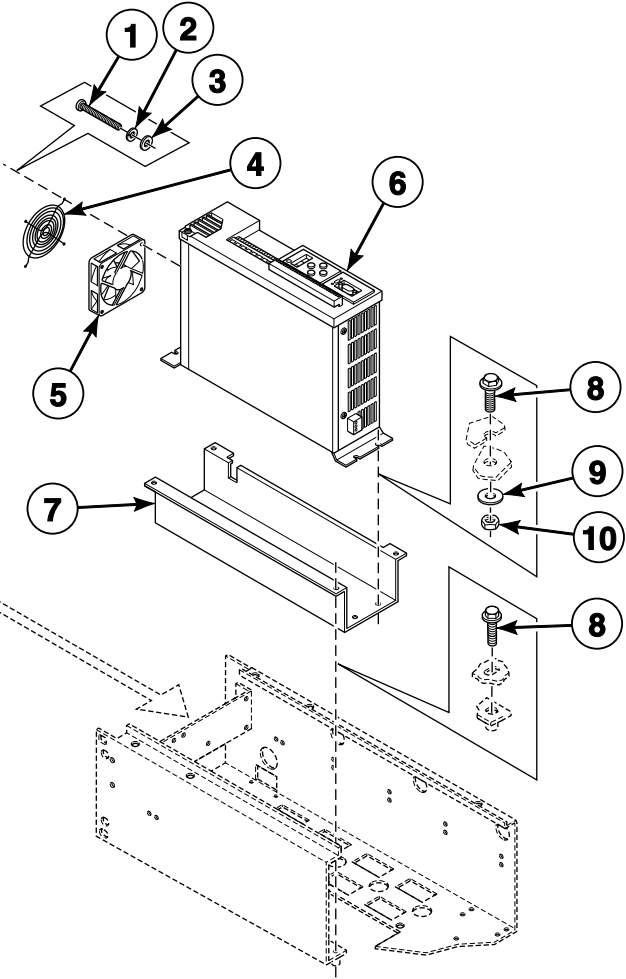
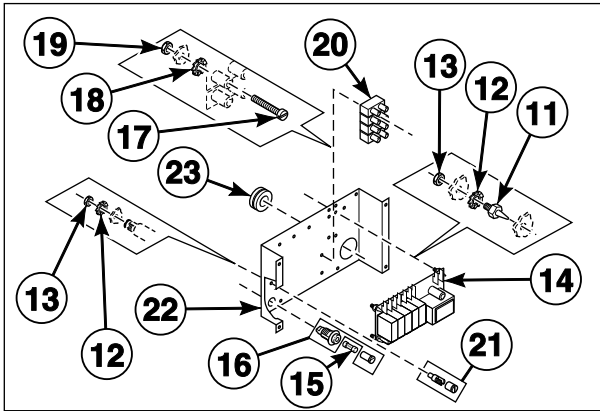


BE000243P_D0901

Electrical Component Mounting Plate - Micro-20

REF	PART NO.	DESCRIPTION	COMMENTS
1	209/00041/04	Contactora	LC1D0901M7; Heating
	209/00148/02	Contactora	LC1D1810M7
	209/00149/02	Contactora	LC1-D3210M5
	209/00056/02	Contactora	LC1D4011M5
	209/06150/02	Contactora	LC1D5011M5
2	209/00041/03	Contactora	LC1-D09019M7; 220 Volt
3	209/00279/00	Lock	
4	209/00283/00	Protector	1-1.6A
	209/00284/00	Protector	1.6-2.5A
	209/00263/00	Protector	2.5-4A
	209/00264/00	Protector	4-6A
	209/00285/00	Protector	5.5-8A
	209/00265/00	Protector	7-10A
	209/00299/00	Protector	9-13A
	209/00132/00	Protector	13-18A
5	206/00014/00	Bolt	
6	203/00004/00	Washer	
7	204/00005/00	Nut	
8	140/00021/00	Electrical Component Extension Plate	
9	111/00124/00	Mounting Plate	
10	223/00198/00	Grommet	
11	140/00011/AO	Assembly Plate	HF205 models
	111/32964/00	Assembly Plate	HF145 models
12	223/00015/00	Level Switch Elbow	
13	223/00011/00	Hose Clamp	
14	223/00016/00	Hose Barb	
15	225/10004/00	Thermostat Seal	
16	209/00266/08	Thermostat	
17	223/00212/00	Pressure Switch Hose	
18	223/00173/10	Pressure Switch Hose Tee	
19	209/00007/50	Pressure Switch	

Inverter Drive

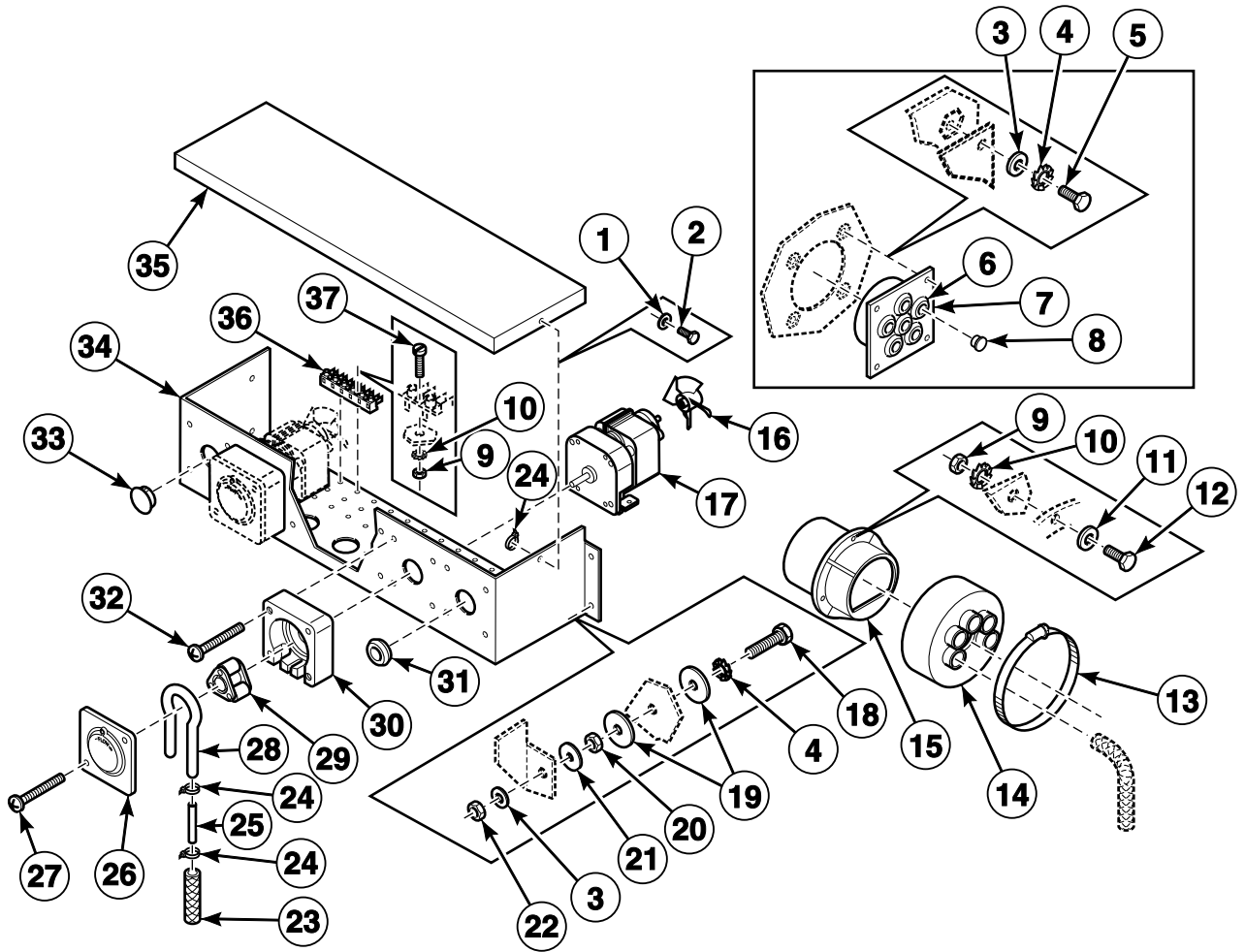


BE000240P_D0901

Inverter Drive

REF	PART NO.	DESCRIPTION	COMMENTS
1	227/00120/03	Screw	
2	227/00120/04	Washer	
3	227/00120/05	Washer	
4	227/00120/01	Fan	
5	227/00120/02	Fan	
6	227/00117/00	Inverter	3 x 380 Volt
	227/00118/00	Inverter	3 x 220 Volt
	227/00119/00	Inverter	1 x 220 Volt
7	111/00188/02	Inverter Plate	
8	206/00099/00	Bolt	
9	201/00007/00	Washer	
10	204/00005/00	Nut	
11	211/00120/00	Standoff	
12	203/00006/00	Washer	
13	204/00007/00	Nut	
14	209/00218/03	Printboard	
15	209/00195/00	Fuse	
16	209/00202/00	Fuse Holder	
17	207/00014/00	Screw	
18	203/00007/00	Washer	
19	204/00008/00	Nut	
20	209/00058/00	Terminal Block	
21	209/00006/01	Ground Terminal	
22	111/00188/03	Assembly Plate	
23	223/00198/00	Grommet	

Soap Pumps - Knight

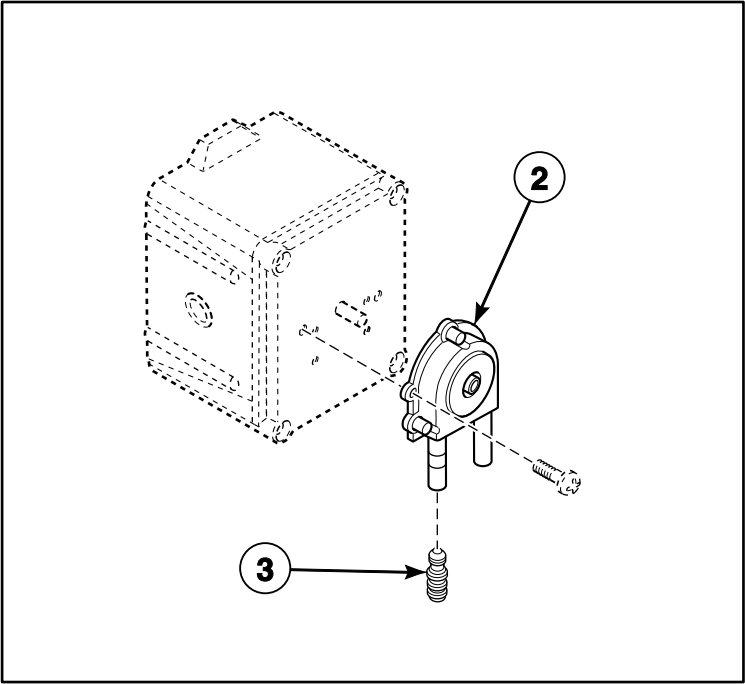
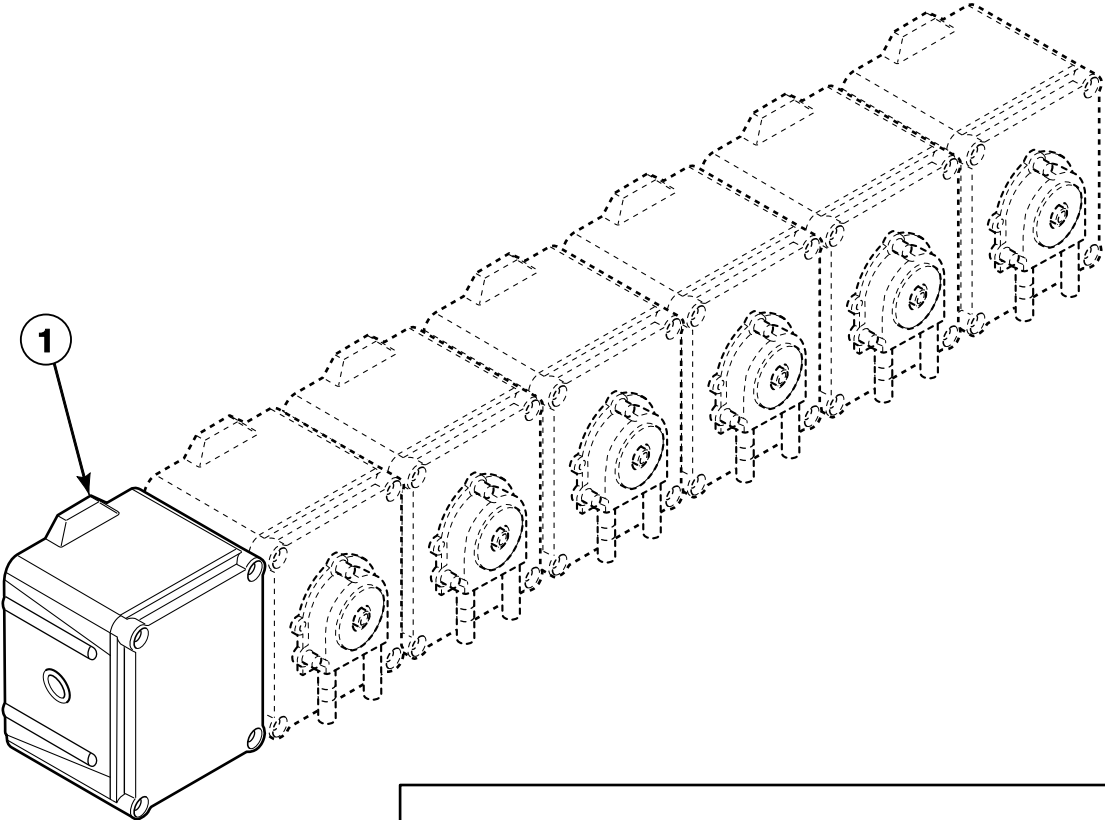


BE000266P_D0901

Soap Pumps - Knight

REF	PART NO.	DESCRIPTION	COMMENTS
1	202/00109/00	Washer	
2	205/00113/00	Bolt	
3	202/00101/00	Washer	
4	203/00004/00	Washer	
5	205/00104/00	Bolt	
6	225/00019/00	Holder	
7	153/00043/00	Inlet	
8	211/00129/00	Plug	
9	204/00007/00	Nut	
10	203/00006/00	Washer	
11	202/00004/00	Washer	
12	206/00027/00	Bolt	
13	223/00014/00	Hose Clamp	
14	223/00160/00	Liquid Soap Hose	
15	223/00102/07	Hose Vent	
16	209/00413/06	Fan Motor	
17	209/00413/08	Motor	
18	205/00103/00	Bolt	
19	202/00108/00	Washer	
20	204/00005/00	Nut	
21	202/00106/00	Washer	
22	204/00009/00	Nut	
23	223/00179/10	Pressure Hose	
24	211/00088/00	Cable Tie	
25	223/00180/00	Soap Injector Hose	
26	209/00413/09	Cover Plate	
27	209/00413/05	Screw	
28	209/00413/03	Hose	
29	209/00413/07	Pressure Roller	
30	209/00413/10	Pump Housing	
31	223/00198/00	Grommet	
32	209/00413/04	Screw	
33	211/00087/00	Plug	
34	111/00190/00	Pump Assembly Plate	
35	111/00190/01	Pump Top Plate	
36	210/10007/00	Connection	
37	207/00003/00	Screw	

Soap Pumps - Brightwell

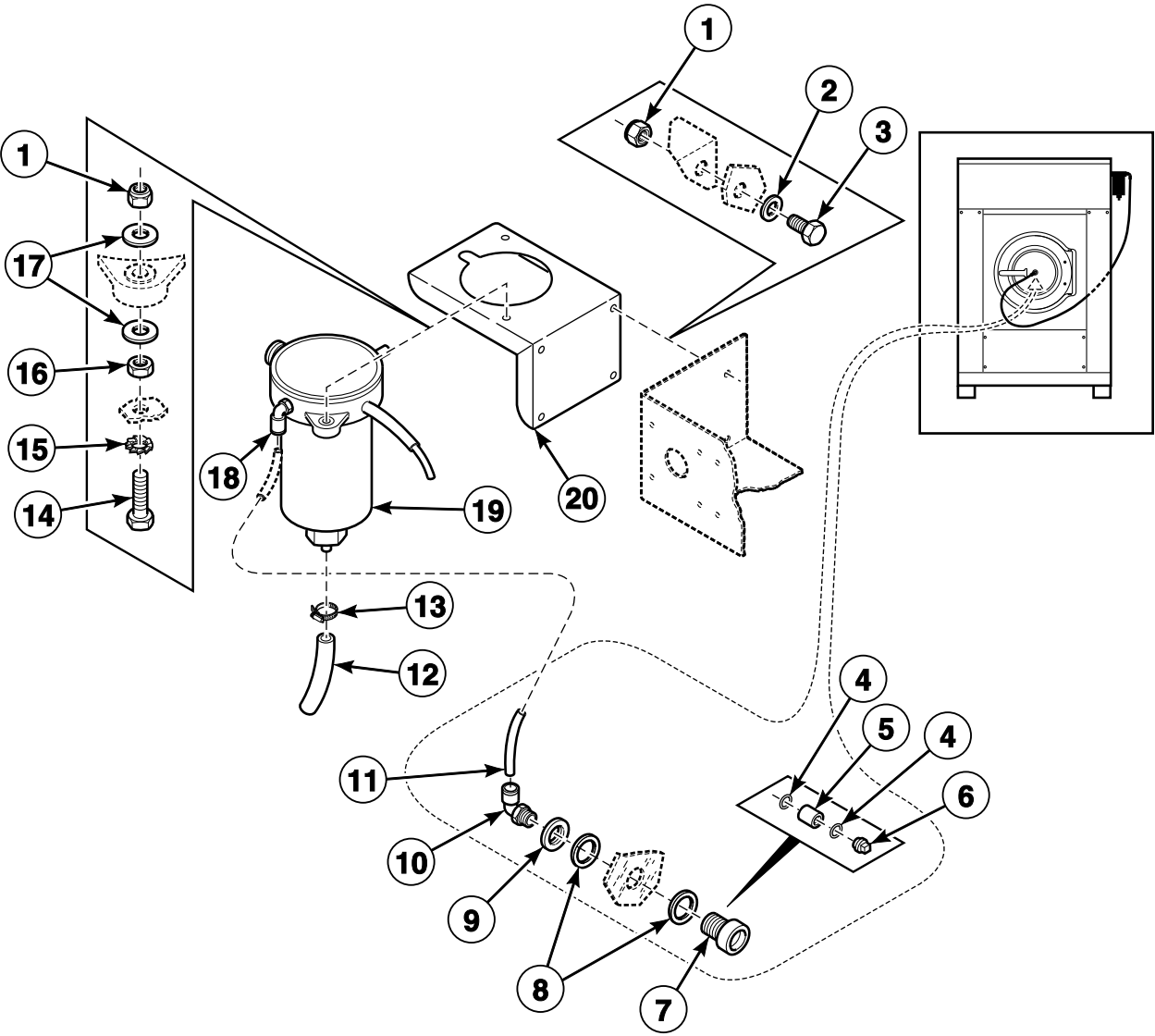


BE000527P_D0901

Soap Pumps - Brightwell

REF	PART NO.	DESCRIPTION	COMMENTS
1	209/00554/01	Soap Pump Assembly	1 small pump
	209/00554/02	Soap Pump Assembly	2 small pumps
	209/00554/03	Soap Pump Assembly	3 small pumps
	209/00554/04	Soap Pump Assembly	4 small pumps
	209/00554/05	Soap Pump Assembly	5 small pumps
	209/00554/06	Soap Pump Assembly	6 small pumps
2	209/00554/98	Hose	
3	209/00554/99	Hose Connector	

Liquid Soap Pump



BE000267P_D0901

Liquid Soap Pump

REF	PART NO.	DESCRIPTION	COMMENTS
1	204/00009/00	Nut	
2	201/00007/00	Washer	
3	205/00107/00	Bolt	
4	223/00177/00	O-Ring	
5	211/00126/00	Soap Injector Orifice Nipple	
6	223/00178/00	Soap Injector Orifice	
7	211/00127/00	Soap Injector Connector	
8	223/00176/00	O-Ring	
9	211/10106/00	Nut	
10	223/00182/00	Soap Injector Coupling	
11	223/00180/00	Soap Injector Hose	
12	223/00179/10	Pressure Hose	
13	211/00088/00	Cable Tie	
14	205/00103/00	Bolt	
15	203/00004/00	Washer	
16	204/00106/00	Nut	
17	202/00101/00	Washer	
18	223/00181/00	Soap Injector Elbow Coupling	
19	209/00369/00	Liquid Soap Spray Pump	
20	111/10179/00	Spray Pump Mounting Plate	