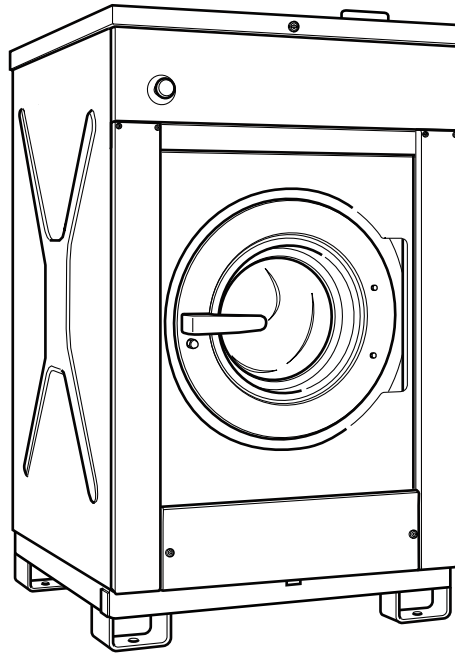


Washer-Extractor

Cabinet Freestanding
Refer to Page 3 for Model Numbers



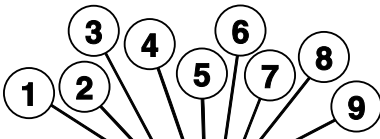
CFD30C_D1358


Model Identification

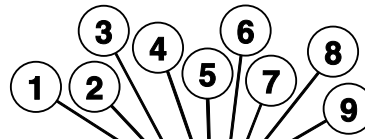
Information in this manual is applicable to these washer-extractor models:


CS018_CYGNUS-ULTRA	CXR012X	HXU075P	IXU060C	JXW060C
CS025_CYGNUS-ULTRA	CXR014X	HXU100P	IXU060X	JXW060Y
HD60_CYGNUS-COMM	CXR014Z	HXW075P	IXU060Y	JXW060Z
HD60_CYGNUS-PREM	CXR018U	HXW100P	IXU060Z	JXW065C
HD60_CYGNUS-PRO	CXR018X	HXZ075P	IXU065C	JXW065Y
HD60_CYGNUS-STANDARD	CXR018Z	HXZ100P	IXU065X	JXW075C
HD65_CYGNUS-COMM	CXR025U	IXG060C	IXU065Y	JXW075Y
HD65_CYGNUS-PREM	CXR025X	IXG060X	IXU065Z	JXW100C
HD65_CYGNUS-PRO	CXR025Z	IXG060Y	IXU075C	JXW100Y
HD65_CYGNUS-STANDARD	CXU060X	IXG060Z	IXU075X	PXU060Y
HD75_CYGNUS-COMM	CXU065Z	IXG065C	IXU075Y	PXU065Y
HD75_CYGNUS-PREM	CXU075X	IXG065X	IXU075Z	PXU075Y
HD75_CYGNUS-PRO	CXU075Z	IXG065Y	IXU100C	PXU100Y
HD75_CYGNUS-STANDARD	CXU100X	IXG065Z	IXU100X	SX18P
HD100_CYGNUS-COMM	CXU100Z	IXG075C	IXU100Y	SX25P
HD100_CYGNUS-PREM	CXW060X	IXG075X	IXU100Z	SXE018P
HD100_CYGNUS-PRO	CXW060Z	IXG075Y	IXW060C	SXE025P
HD100_CYGNUS-STANDARD	CXW065X	IXG075Z	IXW060X	SXG075P
IS012_CYGNUS-ULTRA	CXW065Z	IXG100C	IXW060Y	SXG100P
IS012_CYGNUS-VENDED	CXW075X	IXG100X	IXW060Z	SXN075P
IS018_CYGNUS-ULTRA	CXW075Z	IXG100Y	IXW065C	SXN100P
IS018_CYGNUS-VENDED	CXW100X	IXG100Z	IXW065X	SXR018P
IS025_CYGNUS-ULTRA	CXW100Z	IXN060C	IXW065Y	SXR025P
IS025_CYGNUS-VENDED	CXZ060X	IXN060U	IXW065Z	SXU075P
CXE012X	CXZ060Z	IXN060V	IXW075C	SXU100P
CXE012Z	CXZ065X	IXN060X	IXW075X	SXW075P
CXE014X	CXZ065Z	IXN060Y	IXW075Y	SXW100P
CXE014Z	CXZ075X	IXN060Z	IXW075Z	SXZ075P
CXE018X	CXZ075Z	IXN065C	IXW100C	SXZ100P
CXE018Z	CXZ100X	IXN065X	IXW100X	UX18P
CXG060X	CXZ100Z	IXN065Y	IXW100Y	UX25P
CXG060Z	DXU060X	IXN065Z	IXW100Z	UXE018P
CXG065X	DXU065X	IXN075C	IXZ060C	UXE025P
CXG065Z	DXU075X	IXN075U	IXZ060X	UXG075P
CXG075X	DXU100X	IXN075V	IXZ060Y	UXG100P
CXG075Z	EXU065X	IXN075X	IXZ060Z	UXN075P
CXG100X	EXU075X	IXN075Y	IXZ065C	UXN100P
CXG100Z	EXU100X	IXN075Z	IXZ065X	UXR018P
CXN060X	HX18P	IXN100C	IXZ065Y	UXR025P
CXN060Z	HX25P	IXN100U	IXZ065Z	UXU075P
CXN065X	HXE018P	IXN100V	IXZ075C	UXU100P
CXN065Z	HXE025P	IXN100X	IXZ075X	UXW075P
CXN075U	HXG075P	IXN100Y	IXZ075Y	UXW100P
CXN075X	HXG100P	IXN100Z	IXZ075Z	UXZ075P
CXU060Z	HXN075P	IXR012U	IXZ100C	UXZ100P
CXU065X	HXN100P	IXR018U	IXZ100X	WXU060C
CXN075Z	HXR018P	IXR025U	IXZ100Y	WXU065C
CXN100U	HXR025P		IXZ100Z	WXU075C
CXN100X				WXU100C
CXN100Z				

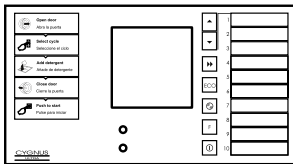
Cabinet Freestanding Washer-Extractor Product Overview



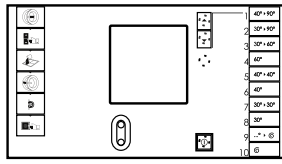
Model No: IXU135XNCU0E	Serial No: 12090AE0036
Volts: 380-415V	Type: HD135
Hertz: 50(60)Hz	1 3
Phase: 3+N	Capacity: 30/13.2 lbs/kg
Amps: 24.3 amps	Water: 28-85 psi
Recommended Circuit Breaker: 25 amps	Pressure: 2-6 bar
Electrical Heating: 12-14. kW	Max Speed: 1000 rpm
Steam Heat: N/A psi / N/A bar	Net Weight: 788 lbs / 358 kg
Sound Level: 62/73 dBA	IPX4
sfc 807393	
Alliance International BVBA Nieuwstraat 146 8560 Wevelgem Belgium Tel: +32 56 41 20 54 Fax: +32 56 41 86 74 www.ipso.be Country of origin: Belgium	
	



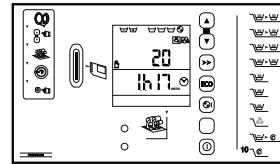
Model No: IHM185SNLXUOP	Serial No: 1209BG0043
Volts: 200-240V	Type: WD185
Hertz: 60(50)Hz	1 3
Phase: 1	Capacity: 40/18.2 lbs/kg
Amps: 3.5 amps	Water: 28-85 psi
Recommended Circuit Breaker: 15 amps	Pressure: 2-6 bar
Electrical Heating: N/A kW	Max Speed: 470 rpm
Steam Heat: N/A psi / N/A bar	Net Weight: 618 lbs / 281 kg
Sound Level: 62/73 dBA	IPX4
sfc 807410	
Alliance International BVBA Nieuwstraat 146 8560 Wevelgem Belgium Tel: +32 56 41 20 54 Fax: +32 56 41 86 74 www.ipso.be Country of origin: Belgium	
 	



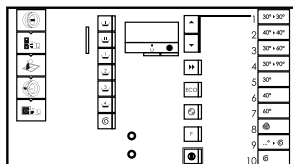
Cygnus Ultra



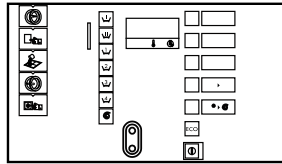
Cygnus Premium Coin



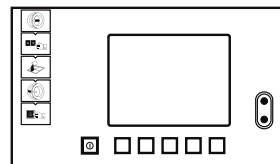
Cygnus Premium OPL



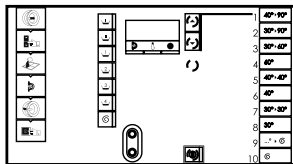
Cygnus Commercial



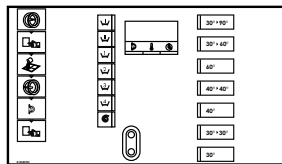
Cygnus Standard OPL



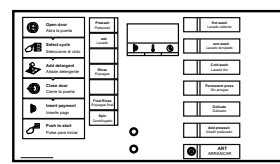
Cygnus Professional



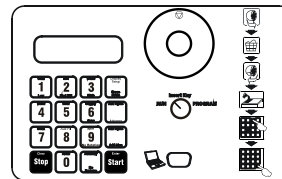
Cygnus Commercial Vended



Cygnus Standard Vended



Cygnus Vended



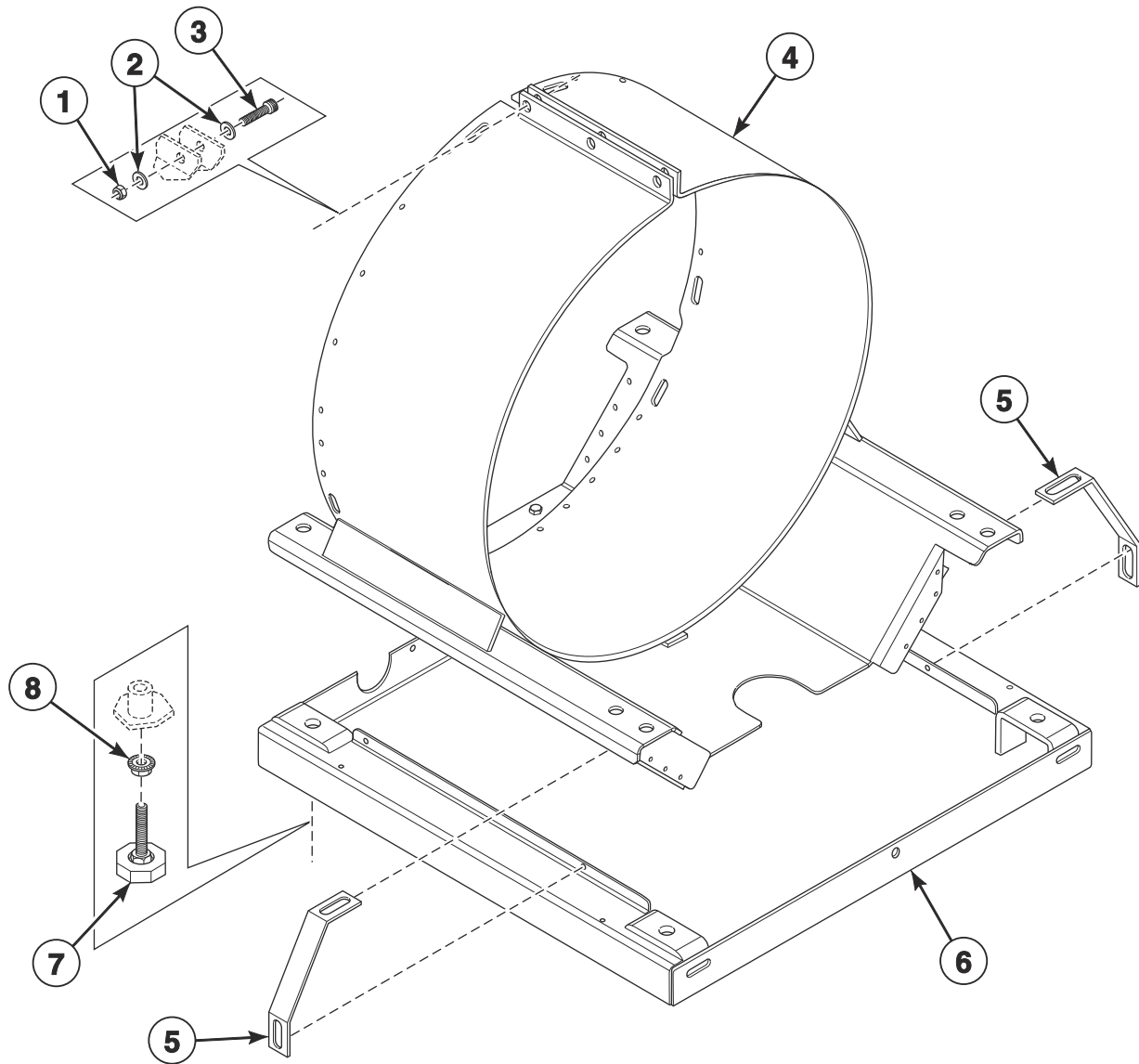
WE-8

CFD624P_D1358

Cabinet Freestanding Washer-Extractor Product Overview

REF	PART NO.	DESCRIPTION	COMMENTS
1	-	Product Family	CS CX DX EX HD HX IS IX JX PX SX UX WX
2	-	Market	G (GOS) N (US ETL/ETL[C]) R (US ETL/ETL[C]) U (EU [CE]) W (EU [CE] WRAS) Z (No Agency Int.)
3	-	Capacity	12 14 18 25 60 65 75 100
4	-	Control	C (Cygnus Standard) P (WE-8) U (Cygnus Ultra) V (Cygnus Vended) X (Cygnus Commercial) Y (Cygnus Premium) Z (Cygnus Professional)
5	-	Actuation	C (Single Coin Drop) D (Dual Coin Drop) E (Electronic Coin Drop) L (Central Pay Pulses) N (OPL) S (Central Pay Serial Comm)
6	-	Speed	H (High Speed)
7	-	Voltage	C (380-415/50-60/3/4) N (440-480/50-60/3/3) P (380-415/50-60/3/3) Q (200-208/220-240/50-60/3/3) X (200-208/220-240/50-60/1/2/2)
8	-	Cabinet	I (Stainless Steel Side Panels) U (Standard)
9	-	Design	1

Frame

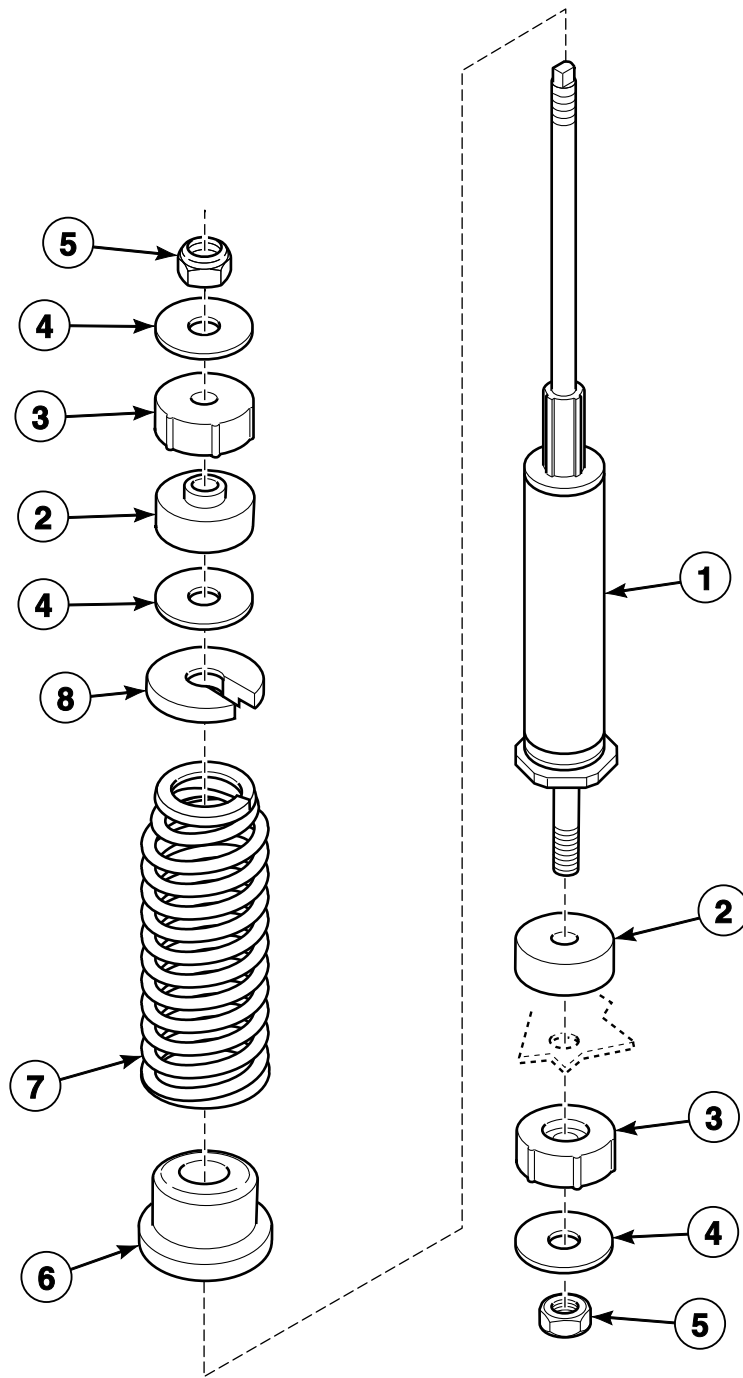


CFD552P_D1358

Frame

REF	PART NO.	DESCRIPTION	COMMENTS
1	204/00111/00	Nut	
2	201/00005/00	Washer	
3	206/00053/00	Screw	
4	B12490501	Tub Support	*25 and *100 models
	B12490201	Tub Support	All other models
5	B12364401	Transportation Back	*12, *14, *60 and *65 models
	B12364501	Transportation Side	*18 and *75 models
	185/00009/12	Shipping Brace	*25 and *100 models
6	152/00102/00	Frame	*25 and *100 models
	B12344001	Frame	All other models
7	252/00006/00	Leveling Leg	
8	206/00106/00	Nut	

Shock Absorber

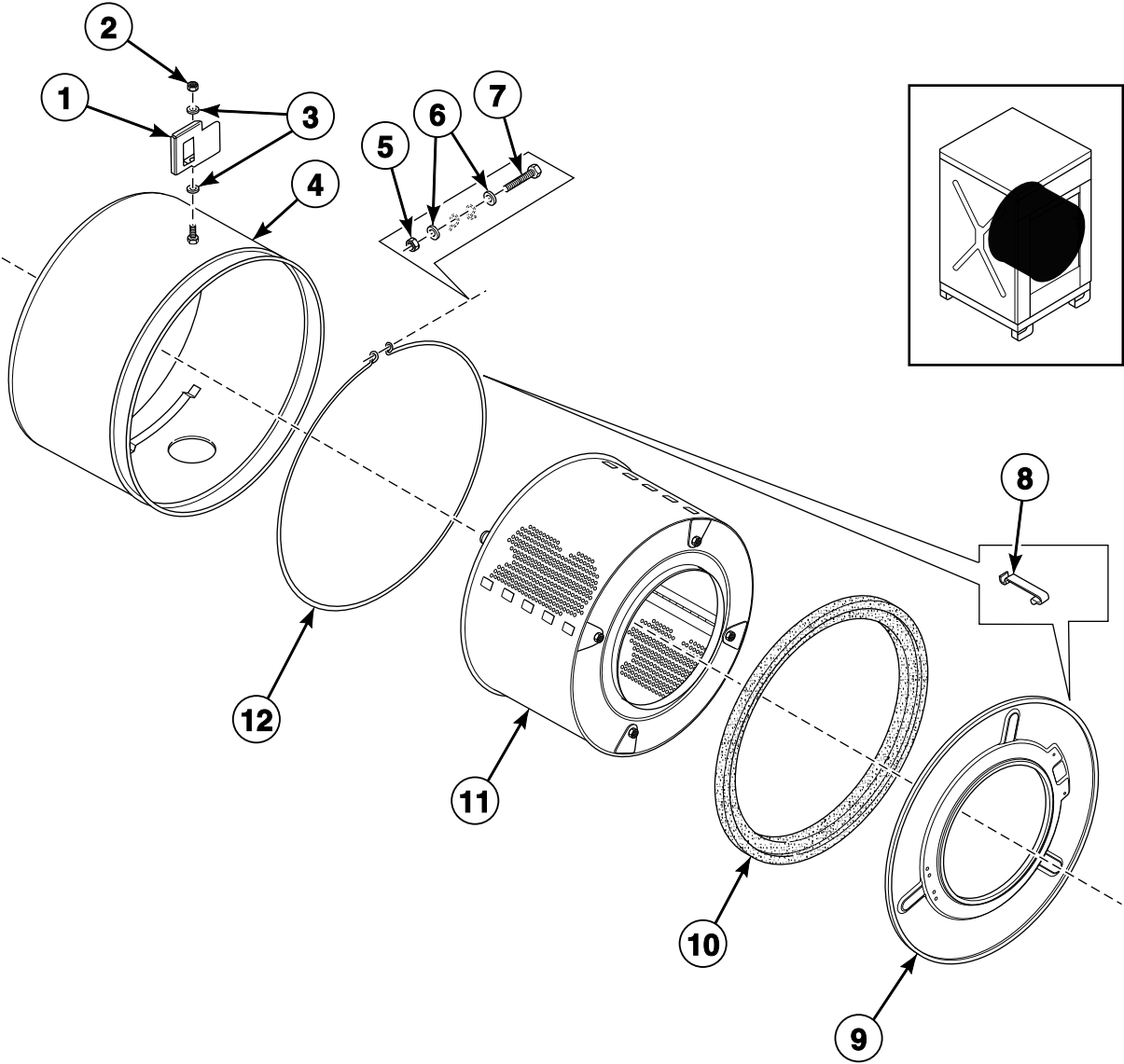


BE000626P_D1358

Shock Absorber

REF	PART NO.	DESCRIPTION	COMMENTS
1	247/00002/02	Shock Absorber	
	247/00003/00	Shock Absorber	Includes items 1, 2, 4, 6, 8 and 247/00002/01 Suspension Spring
2	247/00006/00	Fastening Rubber	
3	247/00007/00	Fastening Rubber	
4	201/00015/00	Washer	
5	204/00110/00	Nut	
6	247/00001/03	Spring Seat Bottom	
7	247/00009/00	Suspension Spring	Red; 5 mm diameter
	247/00002/01	Suspension Spring	Blue; 5.5 mm diameter
	247/00001/01	Suspension Spring	Black; 4.8 mm diameter
	247/00002/03	Shock Absorber	Includes items 2, 4 and 247/00009/00 Suspension Spring
	247/00002/00	Shock Absorber	Includes items 2, 4 and 247/00001/01 Suspension Spring
8	247/00001/04	Spring Holder Top	

Shell and Basket

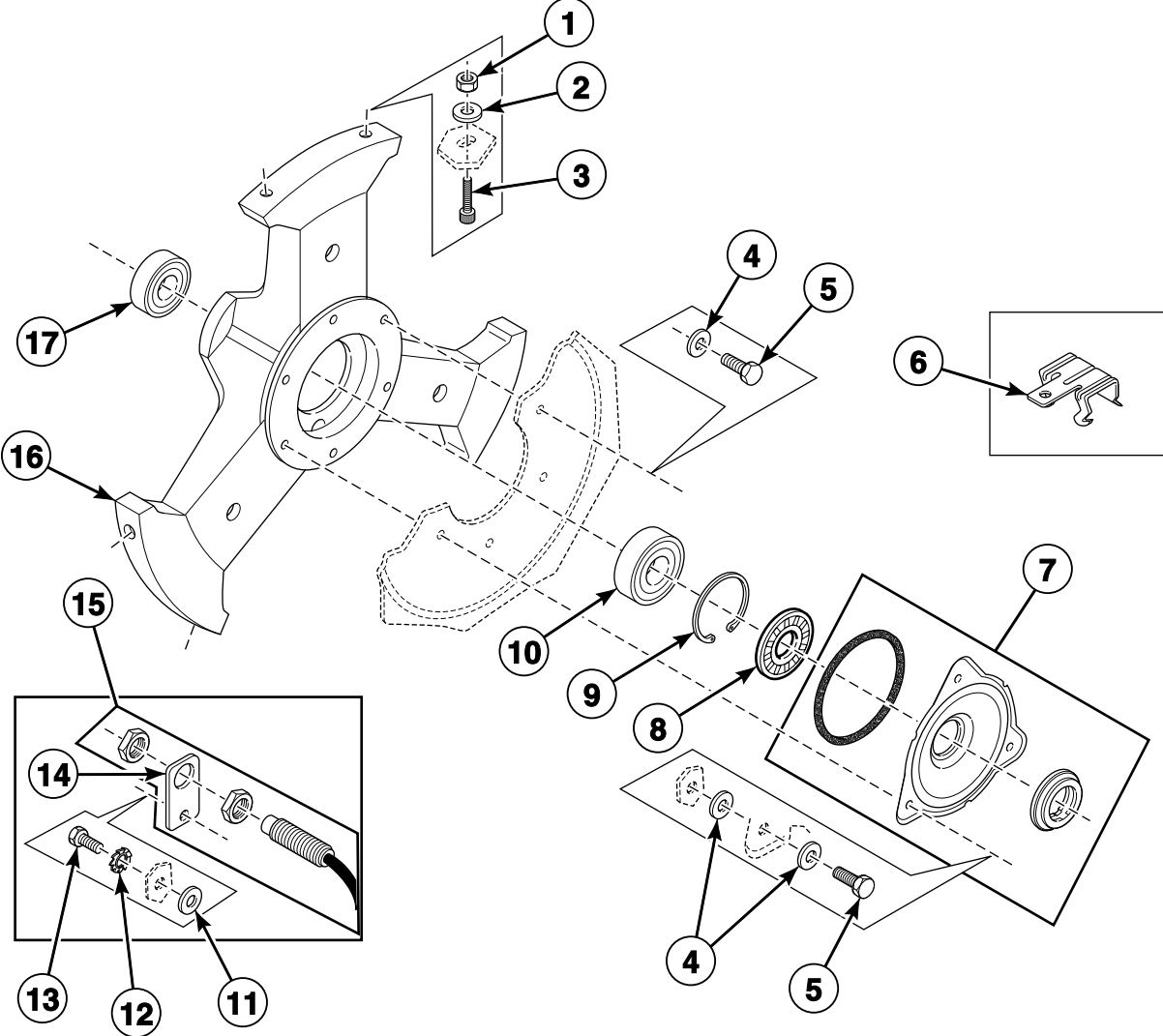


CFD553P_D1358

Shell and Basket

REF	PART NO.	DESCRIPTION	COMMENTS
1	111/01854/00	Tilt Detector Plate	
2	204/00110/00	Nut	
3	201/00010/00	Washer	
4	B12327701	Outer Tub	*12 and *60 models; Electric heat
	B12327801	Outer Tub	*12 and *60 models; Boiler fed
	B12328001	Outer Tub	*14 and *65 models; Electric heat
	B12328101	Outer Tub	*14 and *65 models; Boiler fed
	B12328301	Outer Tub	*18 and *75 models; Electric heat
	B12328401	Outer Tub	*18 and *75 models; Boiler fed
	B12328601	Outer Tub	*25 and *100 models; Electric heat
	B12328701	Outer Tub	*25 and *100 models; Boiler fed
5	204/00009/00	Nut	
6	201/00007/00	Washer	
7	206/00032/00	Bolt	
8	217/00008/00	Tub Front Panel Clip	
9	B12339601	Tub Front Panel	
10	B12351601	Tub Front Gasket	
11	B12379401	Cylinder	*12 and *60 models
	B12379501	Basket and Shaft Assembly	*14 and *65 models; 3 mm
	B12379601	Basket and Shaft Assembly	*14 and *65 models; 9 mm
	B12379701	Basket and Shaft Assembly	*18 and *75 models; 3 mm
	B12379801	Basket and Shaft Assembly	*18 and *75 models; 9 mm
	B12379901	Basket and Shaft Assembly	*25 and *100 models; 3 mm
	B12380001	Basket and Shaft Assembly	*25 and *100 models; 9 mm
12	219/00007/00	Tub Front Ring Clamp	

Bearing Housing

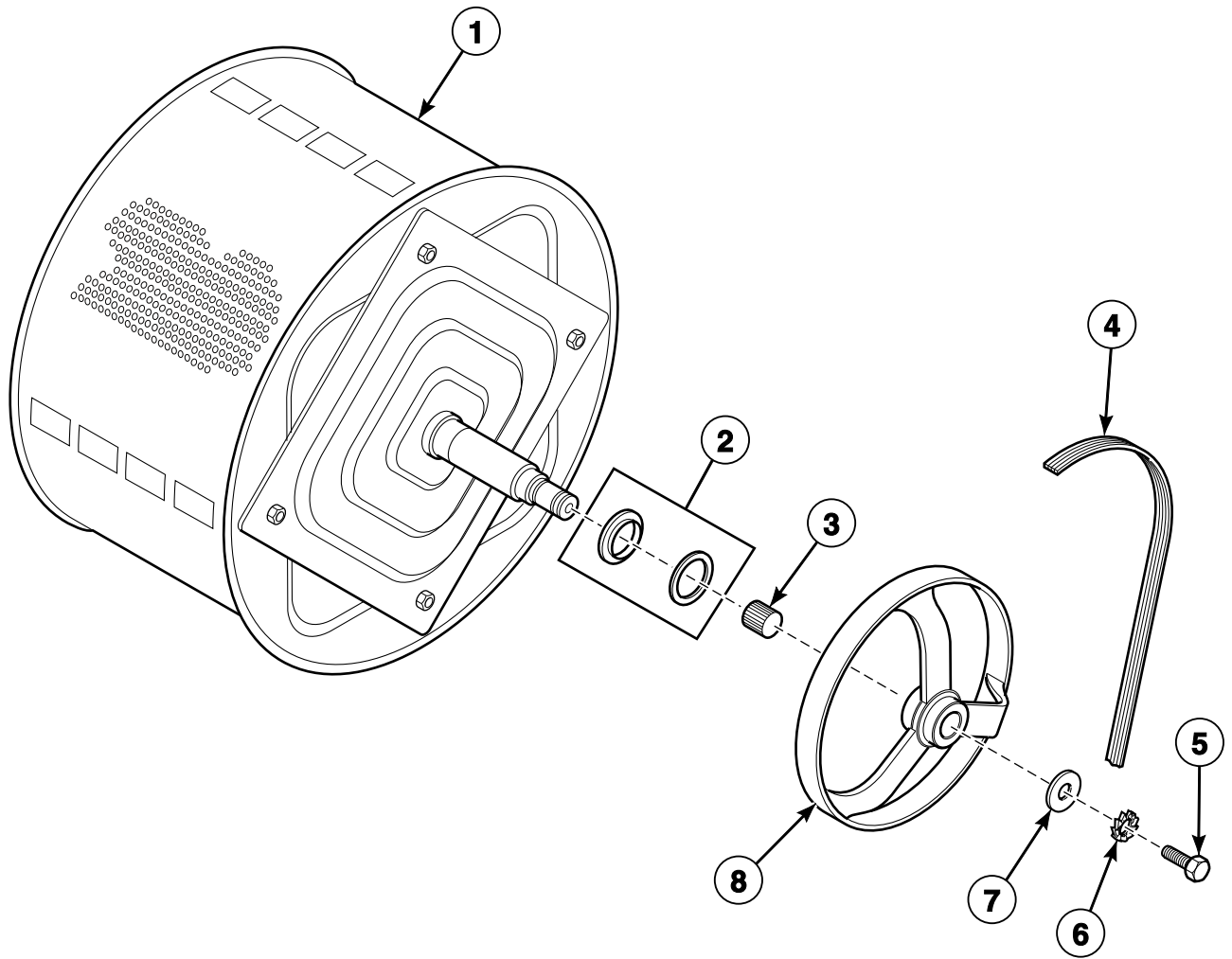


CFD583P_D1358

Bearing Housing

REF	PART NO.	DESCRIPTION	COMMENTS
	3881P	Bearing Kit	Includes items 4,5,7,8, 10, 17, 217/00004/00 Counter Ring and 223/00242/00 Tub Gasket
	380P3	Bearing Replacement Tool Kit	
1	204/00111/00	Nut	
2	201/00012/00	Washer	
3	206/00053/00	Screw	
4	201/00201/00	Washer	
5	205/00102/00	Bolt	
6	224/00051/00	Caddy Bracket	4H58-4
	224/00052/00	Caddy Bracket	4H912
7	B12333601	Seal Plate Assembly	
8	B12332201	Lip Seal	
9	212/00038/00	Retaining Ring	
10	F100137	Bearing	
11	202/00003/00	Washer	
12	203/00004/00	Washer	
13	205/00104/00	Bolt	
14	152/00055/00	Speed Detector Bracket	
15	210/00074/00	Speed Detector	Includes item 14
16	152/00117/00	Bearing Housing Assembly	
17	F100136	Bearing	

Basket, Pulley and Belt

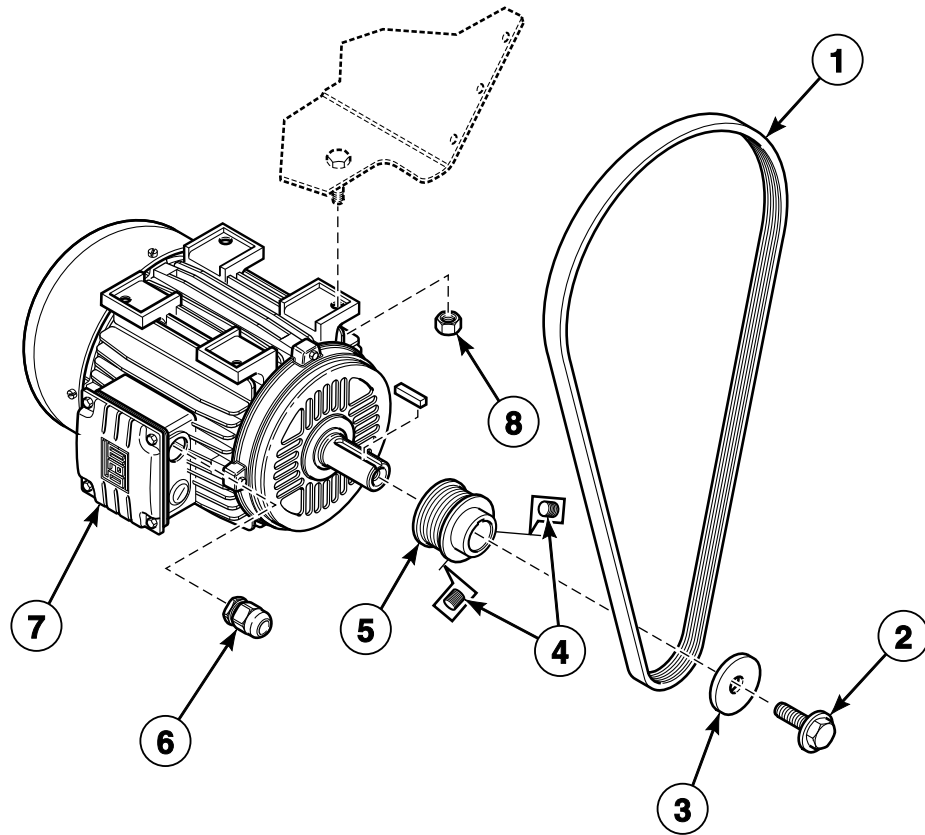


BE000839P_D1358

Basket, Pulley and Belt

REF	PART NO.	DESCRIPTION	COMMENTS
1	B12379401	Cylinder	*12 and *60 models
	B12379501	Basket and Shaft Assembly	*14 and *65 models; 3 mm
	B12379601	Basket and Shaft Assembly	*14 and *65 models; 9 mm
	B12379701	Basket and Shaft Assembly	*18 and *75 models; 3 mm
	B12379801	Basket and Shaft Assembly	*18 and *75 models; 9 mm
	B12379901	Basket and Shaft Assembly	*25 and *100 models; 3 mm
	B12380001	Basket and Shaft Assembly	*25 and *100 models; 9 mm
2	217/00004/00	Counter Ring	
3	215/00004/00	Tolerance Ring	
4	255/00013/00	Belt	
5	206/00004/00	Bolt	
6	203/00001/00	Washer	
7	201/00003/00	Washer	
8	255/00117/00	Pulley	

Motor and Belt

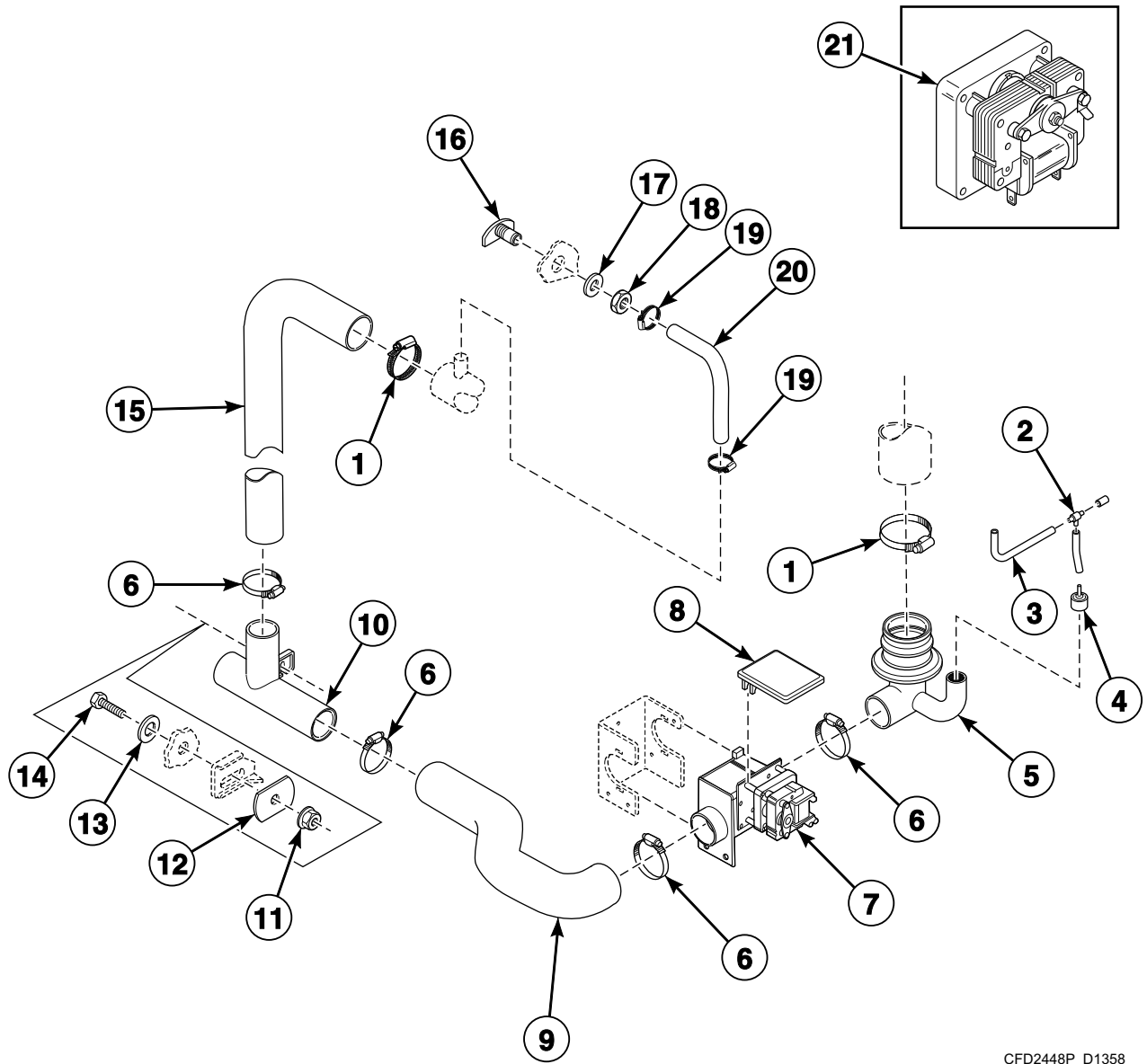


CFD574P_D1358

Motor and Belt

REF	PART NO.	DESCRIPTION	COMMENTS
	B12382101	Motor Harness	
1	255/00013/00	Belt	
2	206/00104/00	Screw	
3	201/00006/00	Washer	
4	206/00058/00	Screw	
5	255/00012/00	Motor Pulley	
6	211/00181/00	Strain Relief Connector	
7	B12510501	Motor	
8	204/00109/00	Nut	

Drain Plumbing

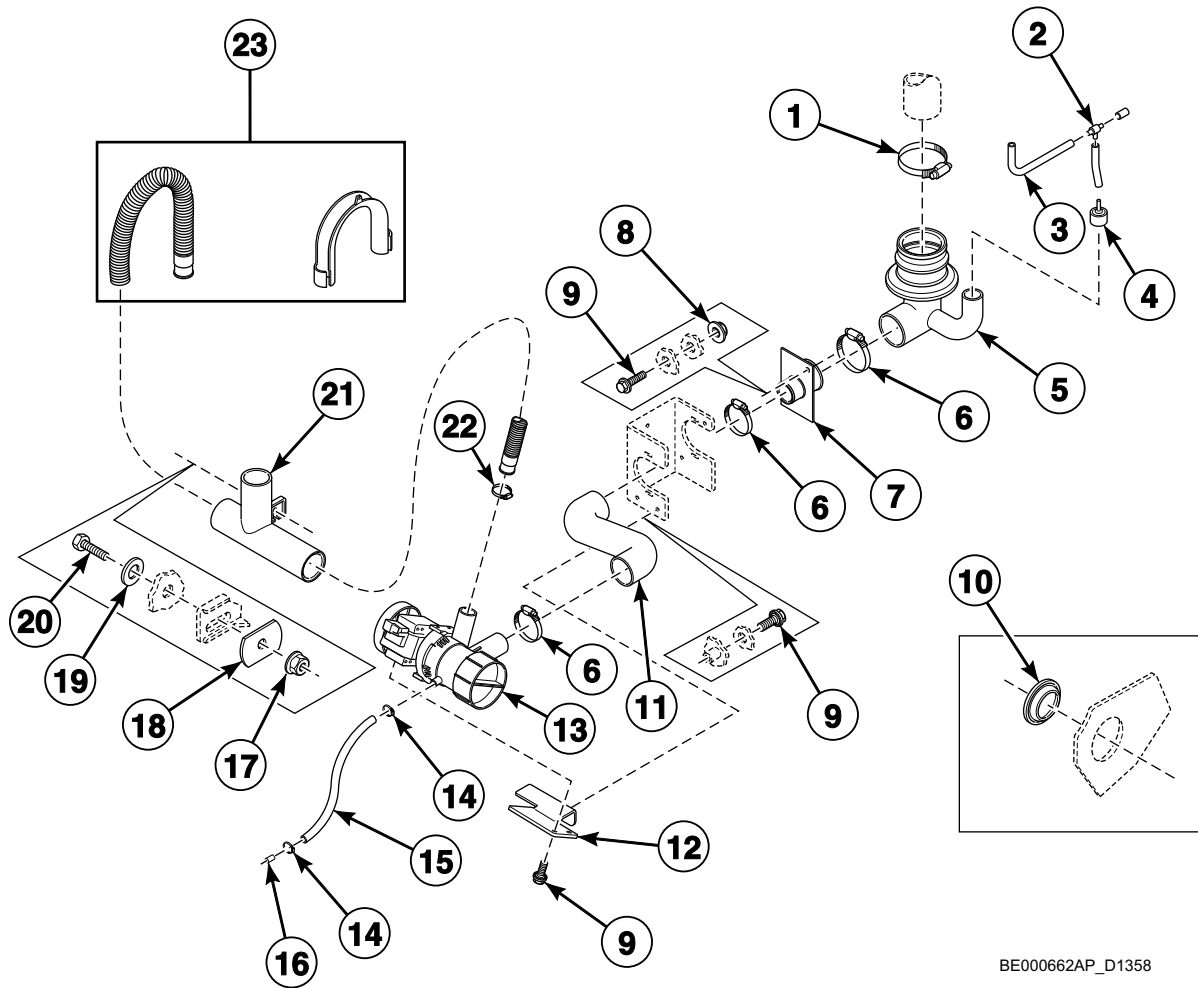


CFD2448P_D1358

Drain Plumbing

REF	PART NO.	DESCRIPTION	COMMENTS
	B12495801	Drain Valve Fuse Harness	WE-8 models
	B12349401	Drain Valve Harness	All other models
1	223/00014/00	Hose Clamp	
2	223/00173/10	Pressure Switch Hose Tee	
3	223/00333/00	Pressure Hose	
4	223/00035/02	Pressure Switch Cap	
5	255/00010/00	Tub to Drain Valve Hose	
6	223/00013/00	Hose Clamp	
7	209/00463/00	Drain Valve	
8	223/00225/00	Drain Valve Cover	
9	223/00303/00	Drain Valve Hose	
10	223/00146/00	Drain Piece	
11	206/00101/00	Nut	
12	101/00007/00	Outlet Pipe Plate Assembly	
13	201/00007/00	Washer	
14	206/00033/00	Bolt	
15	223/00150/00	Overflow Hose	
16	223/00001/04	Prewash and Mainwash Nozzle	
17	201/00002/00	Washer	
18	204/00201/00	Nut	
19	F200205	Hose Clamp	
20	223/00044/01	Water Hose	
21	209/00051/11	Drain Valve Motor	

Drain Plumbing - Models with Pump Drain

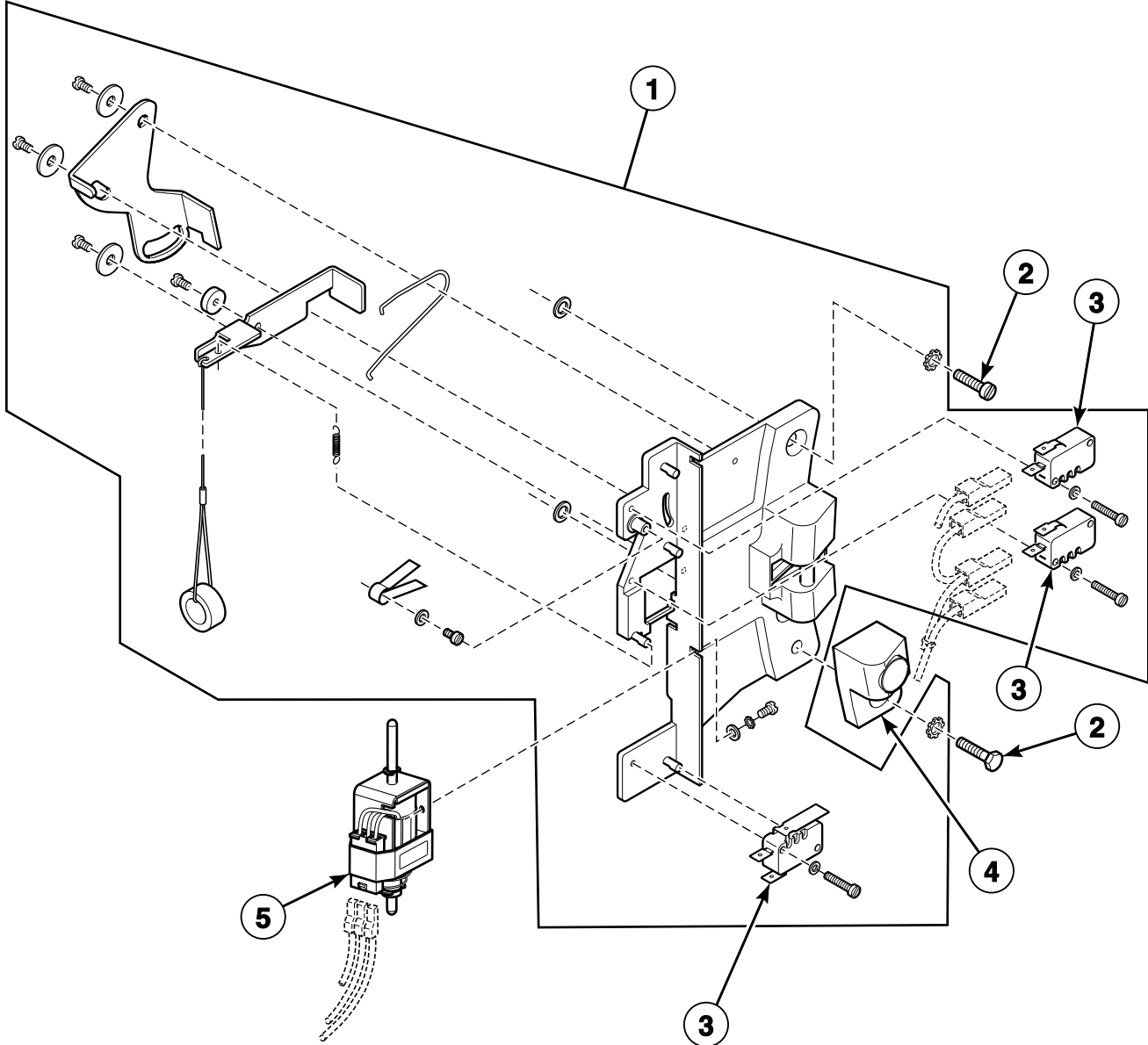


BE000662AP_D1358

Drain Plumbing - Models with Pump Drain

REF	PART NO.	DESCRIPTION	COMMENTS
1	223/00014/00	Hose Clamp	
2	223/00173/10	Pressure Switch Hose Tee	
3	223/00333/00	Pressure Hose	
4	223/00035/02	Pressure Switch Cap	
5	255/00010/00	Tub to Drain Valve Hose	
6	223/00012/00	Hose Clamp	
7	155/00155/00	Drain Piece	
8	206/00105/00	Nut	
9	206/00104/00	Screw	
10	255/00019/00	Stopper	
11	223/00307/00	Drain Hose	
12	111/00288/10	Pump Support	
13	209/00646/00	Pump	50 Hertz
	209/00647/00	Pump	60 Hertz
14	223/00009/00	Clamp	
15	223/00159/00	Pipe	
16	223/00162/00	Stopper	
17	206/00101/00	Nut	
18	101/00007/00	Outlet Pipe Plate Assembly	
19	201/00007/00	Washer	
20	206/00033/00	Bolt	
21	223/00146/00	Drain Piece	
22	223/00011/00	Hose Clamp	
23	899P3	Drain Pipe Kit	

Door Lock

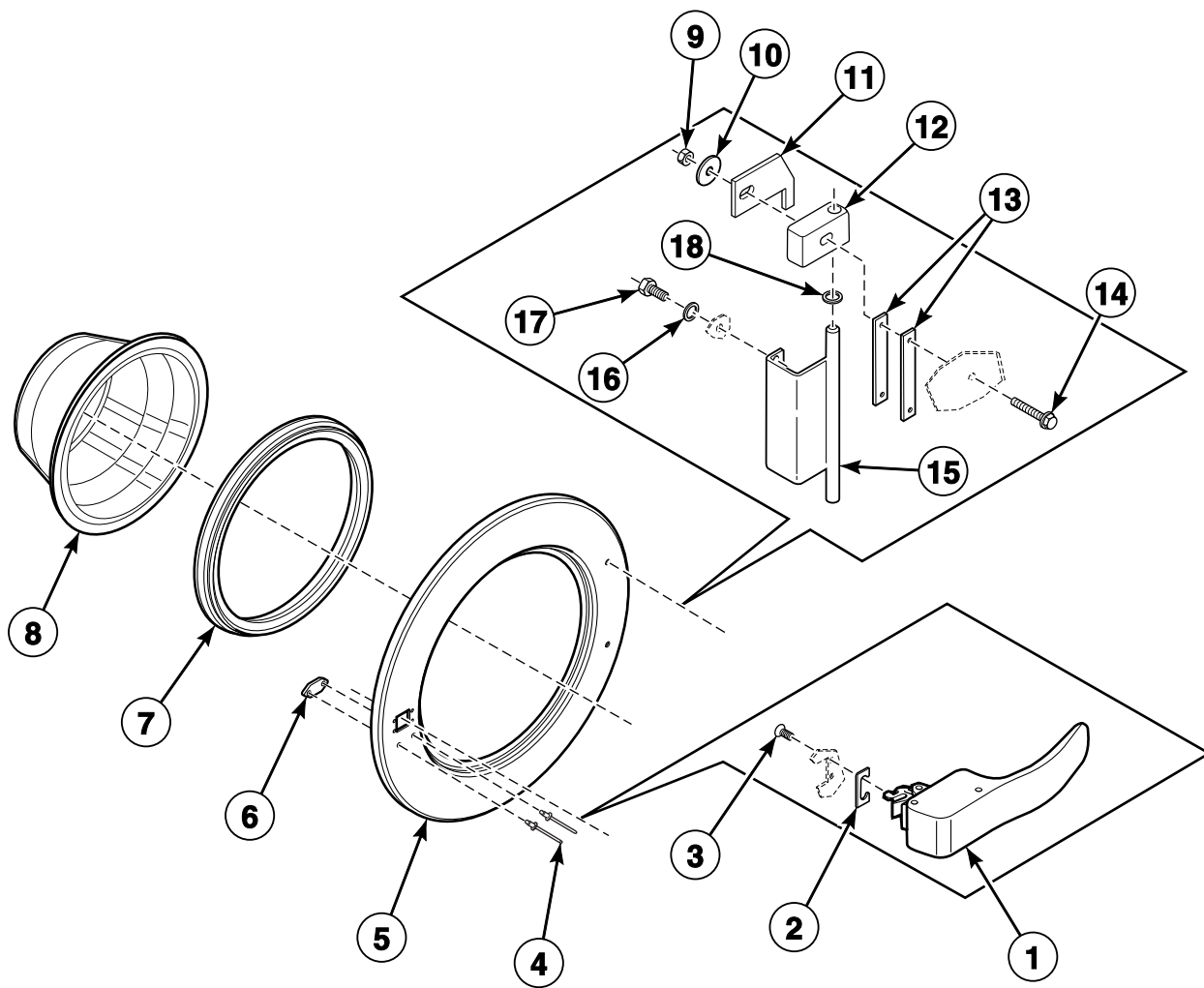


CHM3240P_D1358

Door Lock

REF	PART NO.	DESCRIPTION	COMMENTS
	B12495002	Door Lock Harness	WE-8 models
	B12495001	Door Lock Harness	All other models
1	B12517701	Door Lock Assembly	Includes item 3
2	207/00102/00	Screw	
3	209/00272/00	Door Lock Microswitch	
4	B12517601	Reed Switch Holder	Includes F8080405 Reed Switch Harness and B12502001 Reed Switch
5	B12518101	Door Solenoid Assembly	

Door

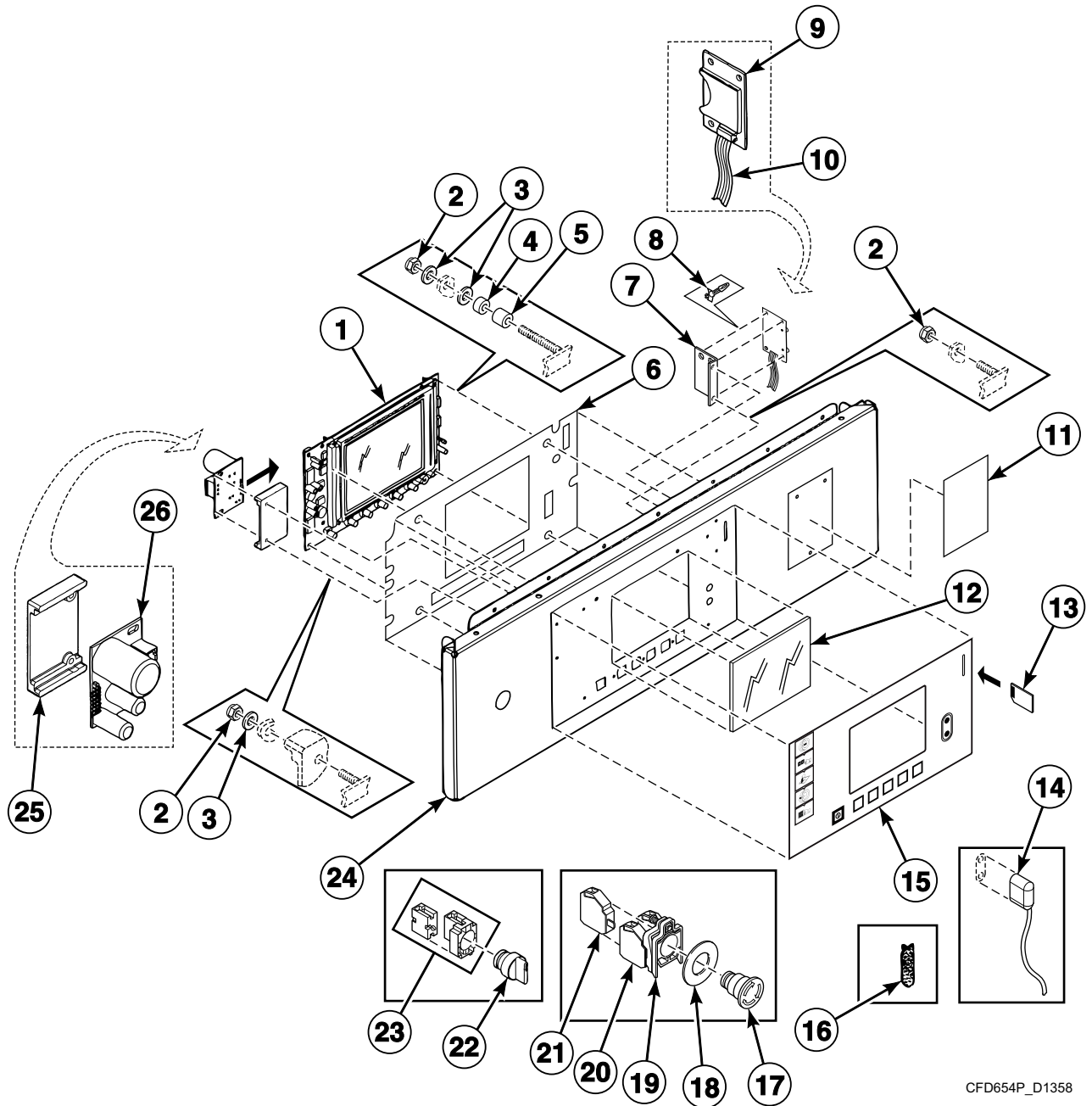


CFD2449P_D1358

Door

REF	PART NO.	DESCRIPTION	COMMENTS
1	B12336302	Door Handle	Gray; HX, SX and UX models
	B12336301	Door Handle	Black; All other models
2	217/00016/00	Door Handle Stop	
3	B12500801	Screw	
4	B12500301	Rivet	
5	B12314901	Door Frame	
6	B12389701	Magnet	
7	217/00068/00	Door Glass Seal	
8	217/00023/00	Door Glass	
9	204/00106/00	Nut	
10	202/00108/00	Washer	
11	118/00128/00	Hinge Plate	
12	217/00009/02	Door Hinge Assembly	
13	117/00011/00	Door Hinge Spacer	
14	207/00126/00	Screw	
15	221/00005/00	Door Hinge	
16	202/00101/00	Washer	
17	205/00107/00	Bolt	
18	202/00104/00	Washer	

Control Panel - Cygnus Professional

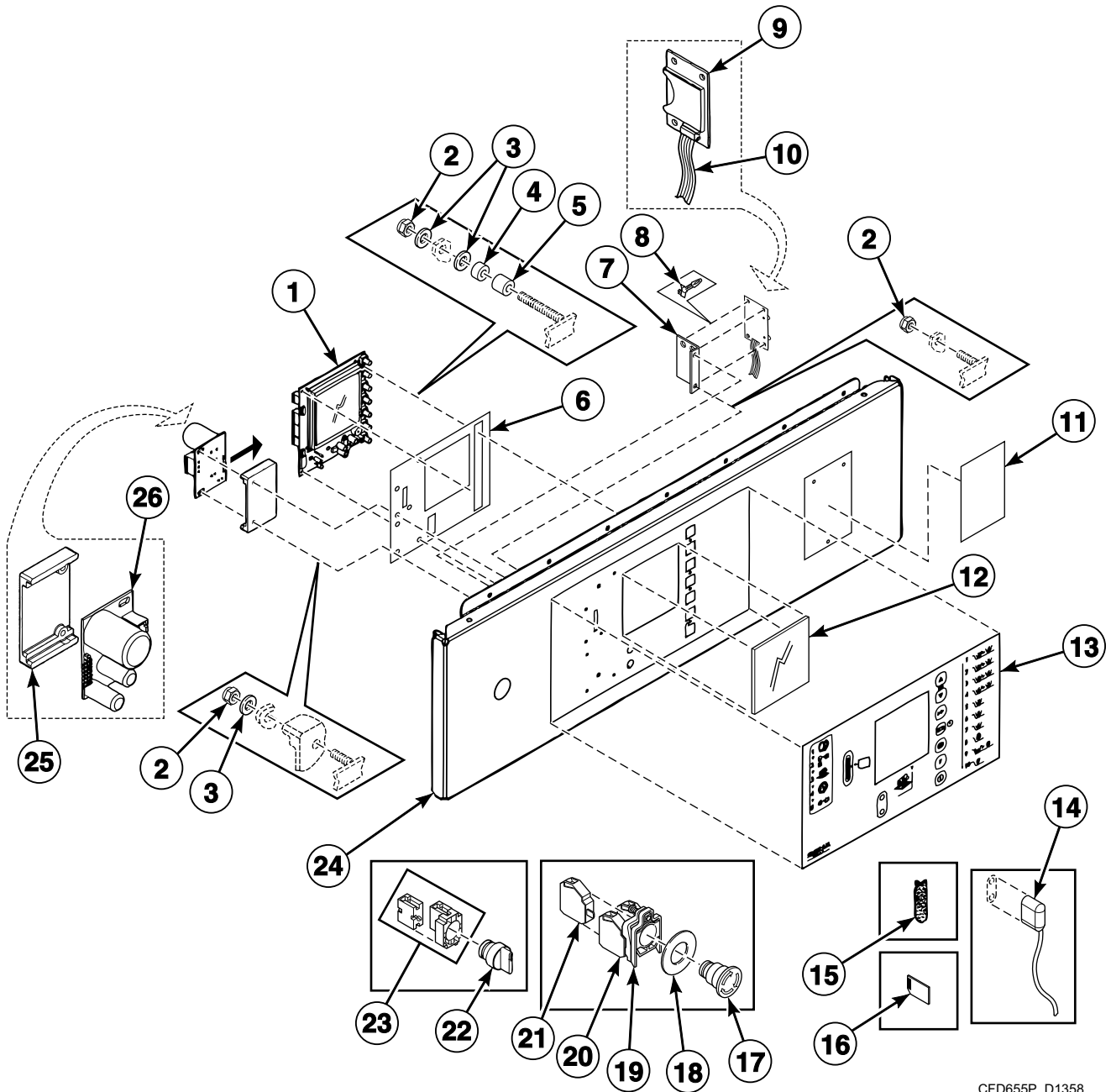


CFD654P_D1358

Control Panel - Cygnus Professional

REF	PART NO.	DESCRIPTION	COMMENTS
	B12348901	E-Stop Harness	
1	209/02002/ZB2	Display PC-Board	
2	204/00116/00	Nut	
3	223/00123/00	Washer	
4	211/00128/00	Printboard Separator	
5	211/00122/00	Standoff	
6	229/00268/00	Insulating Sticker	
7	111/01893/00	Printboard Support Card	Optional
8	211/00145/00	Standoff	
9	B12305201	Memory Card PC-Board	Optional
10	B12538301	Data Card Ribbon Assembly	Optional
11	B12389801	Nameplate	Models HD60_CYGNUS-PRO, HD65_CYGNUS-PRO, HD75_CYGNUS-PRO, HD100_CYGNUS-PRO, IXG060Z, IXG065Z, IXG075Z, IXG100Z, IXN060Z, IXN065Z, IXN075Z, IXN100Z, IXU060Z, IXU065Z, IXU075Z, IXU100Z, IXW060Z, IXW065Z, IXW075Z, IXW100Z, IXZ060Z, IXZ065Z, IXZ075Z and IXZ100Z
	B12389802	Overlay	Models CXE012Z, CXE014Z, CXE018Z, CXG060Z, CXG065Z, CXG075Z, CXG100Z, CXN060Z, CXN065Z, CXU060Z, CXN075Z, CXN100Z, CXR014Z, CXR018Z, CXR025Z, CXU065Z, CXU075Z, CXU100Z, CXW060Z, CXW065Z, CXW075Z, CXW100Z, CXZ060Z, CXZ065Z, CXZ075Z and CXZ100Z
	B12389804	Overlay	Model JXW060Z
12	225/00321/00	Plexi Frame	
13	209/02024/00	Datacard	
14	210/00902/00P	Infrared Cable Kit	
15	B12383601	Operating Sticker	Without datacard opening
	B12383701	Operating Sticker	With datacard opening
	B12532001	Operating Sticker	Model JXW060Z
16	223/00348/00	Datacard Cover	
17	209/00248/20	Mushroom Pushbutton	
18	209/00520/00	Telem Sticker	
19	B12491801	Contact Harness	
20	209/00029/26	Contact Switch	NC
21	209/00099/26	Contact Switch	NO
22	209/00099/29	Switch Knob	Dual heat
	B12523901	Dual Heat Sticker	Dual heat
23	B12491701	Contact Harness	Dual heat
24	B12355901	Operating Panel	
25	223/00374/00	Mounting Plate	
26	B12388201	Door Lock PC-Board	

Control Panel - Cygnus Premium OPL and Ultra

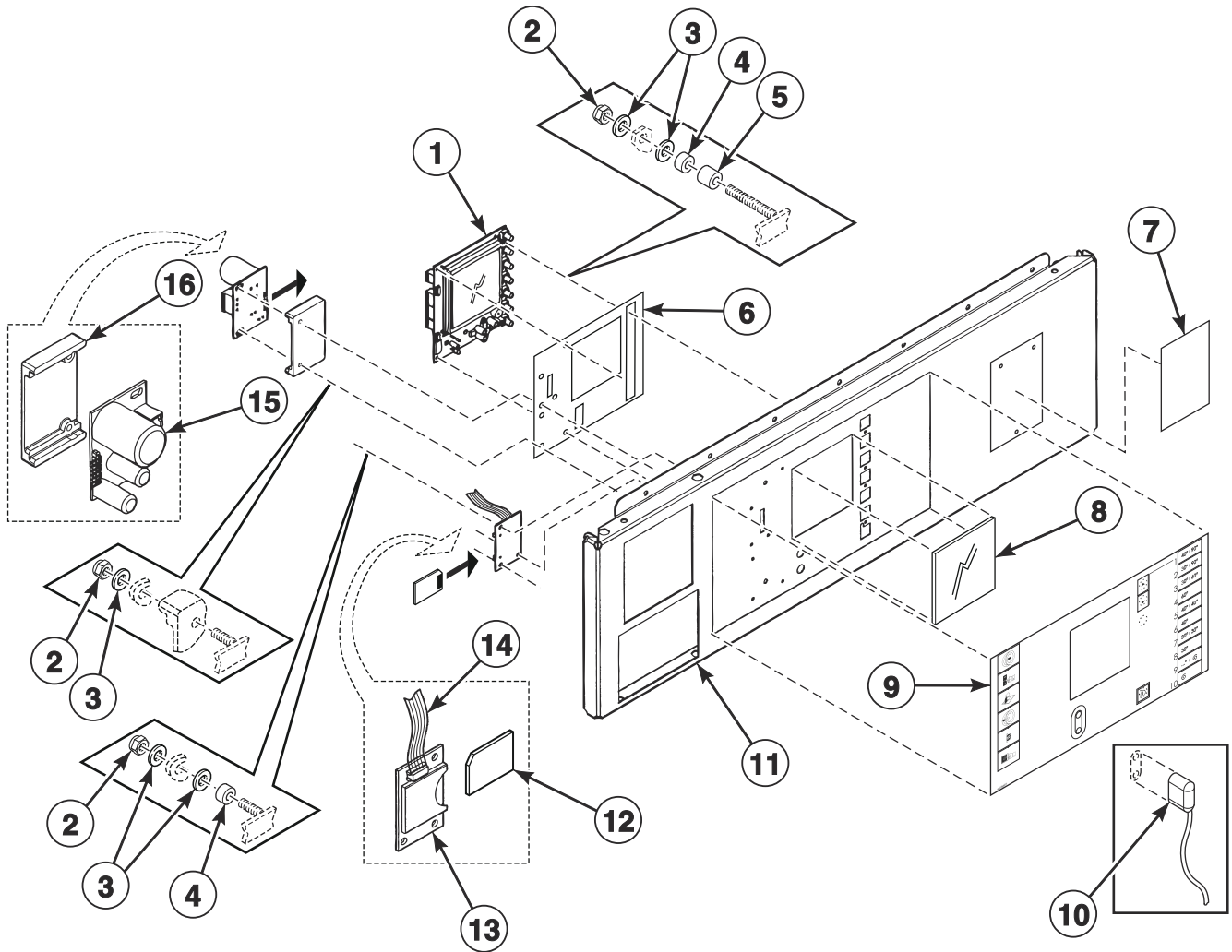


CFD655P_D1358

Control Panel - Cygnus Premium OPL and Ultra

REF	PART NO.	DESCRIPTION	COMMENTS
	B12348901	E-Stop Harness	
1	209/02015/02	Printboard	
2	204/00116/00	Nut	
3	223/00123/00	Washer	
4	211/00128/00	Printboard Separator	
5	211/00122/00	Standoff	
6	229/00291/00	Insulating Sticker	
7	111/01893/00	Printboard Support Card	Optional
8	211/00145/00	Standoff	
9	B12305201	Memory Card PC-Board	Optional
10	B12538301	Data Card Ribbon Assembly	Optional
11	B12389801	Nameplate	Models HD60_CYGNUS-PREM, HD65_CYGNUS-PREM, HD75_CYGNUS-PREM, HD100_CYGNUS-PREM, IS012_CYGNUS-ULTRA, IS018_CYGNUS-ULTRA, IS025_CYGNUS-ULTRA, IXG060Y, IXG065Y, IXG075Y, IXG100Y, IXN060U, IXN060Y, IXN065Y, IXN075U, IXN075Y, IXN100U, IXN100Y, IXR012U, IXR018U, IXR025U, IXU060Y, IXU065Y, IXU075Y, IXU100Y, IXW060Y, IXW065Y, IXW075Y, IXW100Y, IXZ060Y, IXZ065Y, IXZ075Y and IXZ100Y
	B12389802	Overlay	Models CXN075U, CXN100U, CXR018U, CXR025U, CS018_CYGNUS-ULTRA and CS025_CYGNUS-ULTRA
	B12389804	Overlay	Models JXW060Y and JXW065Y
	B12530801	Nameplate	Model JXW075Y
	B12530802	Nameplate	Model JXW100Y
	B12389805	Overlay	Models PXU060Y, PXU065Y, PXU075Y and PXU100Y
12	225/00323/00	Plexi Frame	
13	B12456701	Operating Sticker	Cygnus Ultra models
	B12383401	Operating Sticker	Cygnus Premium OPL models with datacard opening
	B12383301	Operating Sticker	Cygnus Premium OPL models without datacard opening
	B12531901	Operating Sticker	Models JXW060Y, JXW065Y, JXW075Y and JXW100Y
	B12531801	Operating Sticker	Models JXW060Y, JXW065Y, JXW075Y and JXW100Y
14	210/00902/00P	Infrared Cable Kit	
15	223/00348/00	Datacard Cover	Cygnus Premium OPL models
16	209/02024/00	Datacard	Cygnus Premium OPL models
17	209/00248/20	Mushroom Pushbutton	
18	209/00520/00	Telem Sticker	
19	B12491801	Contact Harness	
20	209/00029/26	Contact Switch	NC
21	209/00099/26	Contact Switch	NO
22	209/00099/29	Switch Knob	Dual heat
	B12523901	Dual Heat Sticker	Dual heat
23	B12491701	Contact Harness	Dual heat
24	B12356001	Operating Panel	
25	223/00374/00	Mounting Plate	
26	B12388201	Door Lock PC-Board	

Control Panel - Cygnus Premium Coin

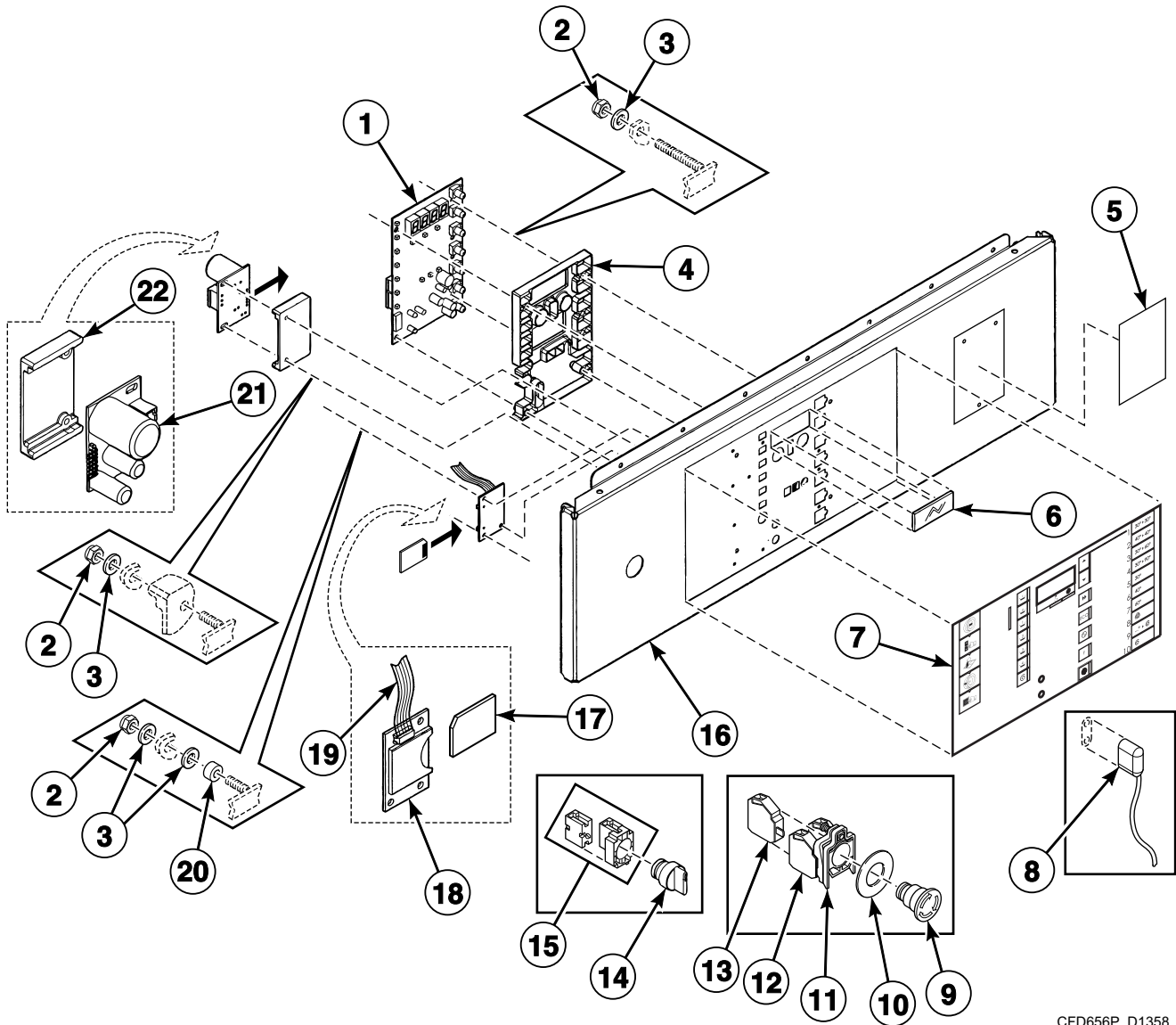


CFD621P_D1358

Control Panel - Cygnus Premium Coin

REF	PART NO.	DESCRIPTION	COMMENTS
	B12349001	E-Stop Bypass Harness	
1	209/02015/02	Printboard	
2	204/00116/00	Nut	
3	223/00123/00	Washer	
4	211/00128/00	Printboard Separator	
5	211/00122/00	Standoff	
6	229/00291/00	Insulating Sticker	
7	B12389801	Nameplate	Models HD60_CYGNUS-PREM, HD65_CYGNUS-PREM, HD75_CYGNUS-PREM, HD100_CYGNUS-PREM, IXG060Y, IXG065Y, IXG075Y, IXG100Y, IXN060Y, IXN065Y, IXN075Y, IXN100Y, IXU060Y, IXU065Y, IXU075Y, IXU100Y, IXW060Y, IXW065Y, IXW075Y, IXW100Y, IXZ060Y, IXZ065Y, IXZ075Y and IXZ100Y
	B12389804	Overlay	Models JXW060Y and JXW065Y
	B12530801	Nameplate	Model JXW075Y
	B12530802	Nameplate	Model JXW100Y
	B12389805	Overlay	Models PXU060Y, PXU065Y, PXU075Y and PXU100Y
8	225/00323/00	Plexi Frame	
9	B12383501	Operating Sticker	
10	210/00902/00P	Infrared Cable Kit	
11	B12356101	Operating Panel	
12	209/02024/00	Datacard	
13	B12305201	Memory Card PC-Board	
14	B12538301	Data Card Ribbon Assembly	
15	B12388201	Door Lock PC-Board	
16	223/00374/00	Mounting Plate	

Control Panel - Cygnus Standard/Commercial OPL

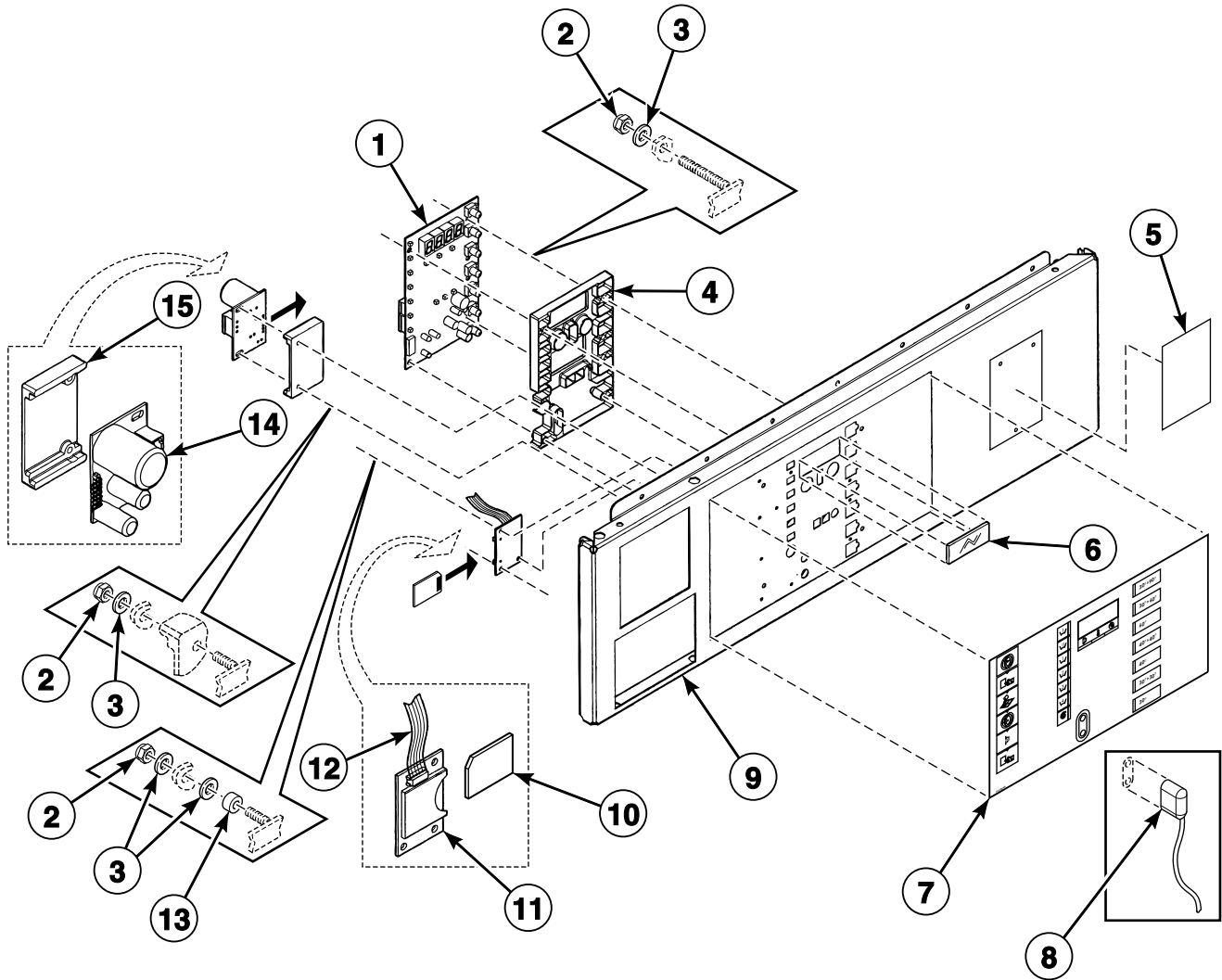


CFD656P_D1358

Control Panel - Cygnus Standard/Commercial OPL

REF	PART NO.	DESCRIPTION	COMMENTS
	B12348901	E-Stop Harness	
1	209/02001/02	Printboard	
2	204/00116/00	Nut	
3	223/00123/00	Washer	
4	223/00330/00	Protection LED	
5	B12389801	Nameplate	Models HD60_CYGNUS-COMM, HD60_CYGNUS-STANDARD, HD65_CYGNUS-COMM, HD65_CYGNUS-STANDARD, HD75_CYGNUS-COMM, HD75_CYGNUS-STANDARD, HD100_CYGNUS-COMM, HD100_CYGNUS-STANDARD, IXG060C, IXG060X, IXG065C, IXG065X, IXG075C, IXG075X, IXG100C, IXG100X, IXN060C, IXN060X, IXN065C, IXN065X, IXN075C, IXN075X, IXN100C, IXN100X, IXU060C, IXU060X, IXU065C, IXU065X, IXU075C, IXU075X, IXU100C and IXU100X
	B12389802	Overlay	Models CXE012X, CXE014X, CXE018X, CXG060X, CXG065X, CXG075X, CXG100X, CXN060X, CXN065X, CXN075X, CXU065X, CXN100X, CXR012X, CXR014X, CXR018X, CXR025X, CXU060X, CXU075X, CXU100X, CXW060X, CXW065X, CXW075X, CXW100X, CXZ060X, CXZ065X, CXZ075X and CXZ100X
	B12389803	Overlay	Models DXU060X, DXU065X and DXU075X
	B12389804	Overlay	Models JXW060C, JXW065C, JXW075C and JXW100C
	B12389809	Overlay	Models EXU065X, EXU075X and EXU100X
	B12389810	Overlay	Models WXU060C, WXU065C, WXU075C and WXU100C
6	225/00322/00	Plexi Frame	
7	B12382701	Operating Sticker	Cygnus Standard OPL models without datacard opening
	B12382801	Operating Sticker	Cygnus Standard OPL models with datacard opening
	B12383001	Operating Sticker	Cygnus Commercial OPL models without datacard opening
	B12383101	Operating Sticker	Cygnus Commercial OPL models with datacard opening
	B12531801	Operating Sticker	Models JXW060C, JXW065C, JXW075C and JXW100C
8	210/00902/00P	Infrared Cable Kit	
9	209/00248/20	Mushroom Pushbutton	
10	209/00520/00	Telem Sticker	
11	B12491801	Contact Harness	
12	209/00029/26	Contact Switch	NC
13	209/00099/26	Contact Switch	NO
14	209/00099/29	Switch Knob	Dual heat
	B12523901	Dual Heat Sticker	Dual heat
15	B12491701	Contact Harness	Dual heat
16	B12355801	Operating Panel	
17	209/02024/00	Datacard	Optional
18	B12305201	Memory Card PC-Board	Optional
19	B12538301	Data Card Ribbon Assembly	Optional
20	211/00128/00	Printboard Separator	
21	B12388201	Door Lock PC-Board	
22	223/00374/00	Mounting Plate	

Control Panel - Cygnus Standard/Commercial Coin and Vended

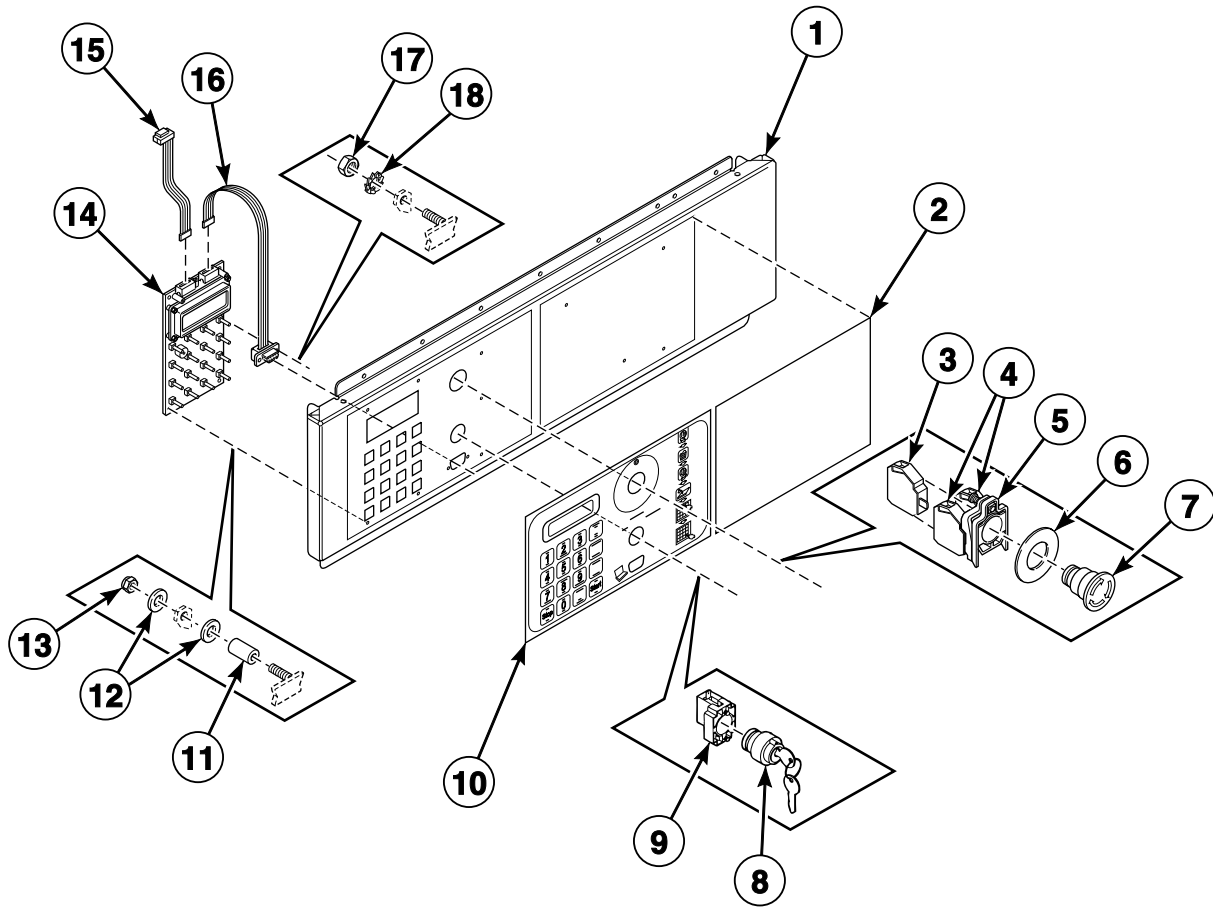


CFD611P_D1358

Control Panel - Cygnus Standard/Commercial Coin and Vended

REF	PART NO.	DESCRIPTION	COMMENTS
	B12349001	E-Stop Bypass Harness	
1	209/02001/02	Printboard	
2	204/00116/00	Nut	
3	223/00123/00	Washer	
4	223/00330/00	Protection LED	
5	B12389801	Nameplate	Models HD60_CYGNUS-COMM, HD60_CYGNUS-STANDARD, HD65_CYGNUS-COMM, HD65_CYGNUS-STANDARD, HD75_CYGNUS-COMM, HD75_CYGNUS-STANDARD, HD100_CYGNUS-COMM, HD100_CYGNUS-STANDARD, IS012_CYGNUS-VENDED, IS018_CYGNUS-VENDED, IS025_CYGNUS-VENDED, IXG060C, IXG060X, IXG065C, IXG065X, IXG075C, IXG075X, IXG100C, IXG100X, IXN060C, IXN060V, IXN060X, IXN065C, IXN065X, IXN075C, IXN075V, IXN075X, IXN100C, IXN100V, IXN100X, IXU060C, IXU060X, IXU065C, IXU065X, IXU075C, IXU075X, IXU100C and IXU100X
	B12389802	Overlay	Models CXE012X, CXE014X, CXE018X, CXG060X, CXG065X, CXG075X, CXG100X, CXN060X, CXN065X, CXN075X, CXU065X, CXN100X, CXR012X, CXR014X, CXR018X, CXR025X, CXU060X, CXU075X, CXU100X, CXW060X, CXW065X, CXW075X, CXW100X, CXZ060X, CXZ065X, CXZ075X and CXZ100X
	B12389803	Overlay	Models DXU060X, DXU065X and DXU075X
	B12389804	Overlay	Models JXW060C, JXW065C, JXW075C and JXW100C
	B12389809	Overlay	Models EXU065X, EXU075X and EXU100X
	B12389810	Overlay	Models WXU060C, WXU065C, WXU075C and WXU100C
6	225/00322/00	Plexi Frame	
7	B12382901	Operating Sticker	Cygnus Standard coin models
	B12383201	Operating Sticker	Cygnus Commercial coin models
	B12456501	Operating Sticker	Cygnus Vended models
8	210/00902/00P	Infrared Cable Kit	
9	B12312801	Operating Panel	
10	209/02024/00	Datacard	Cygnus Standard/Commercial coin models
11	B12305201	Memory Card PC-Board	Cygnus Standard/Commercial coin models
12	B12538301	Data Card Ribbon Assembly	Cygnus Standard/Commercial coin models
13	211/00128/00	Printboard Separator	
14	B12388201	Door Lock PC-Board	
15	223/00374/00	Mounting Plate	

Control Panel - WE-8



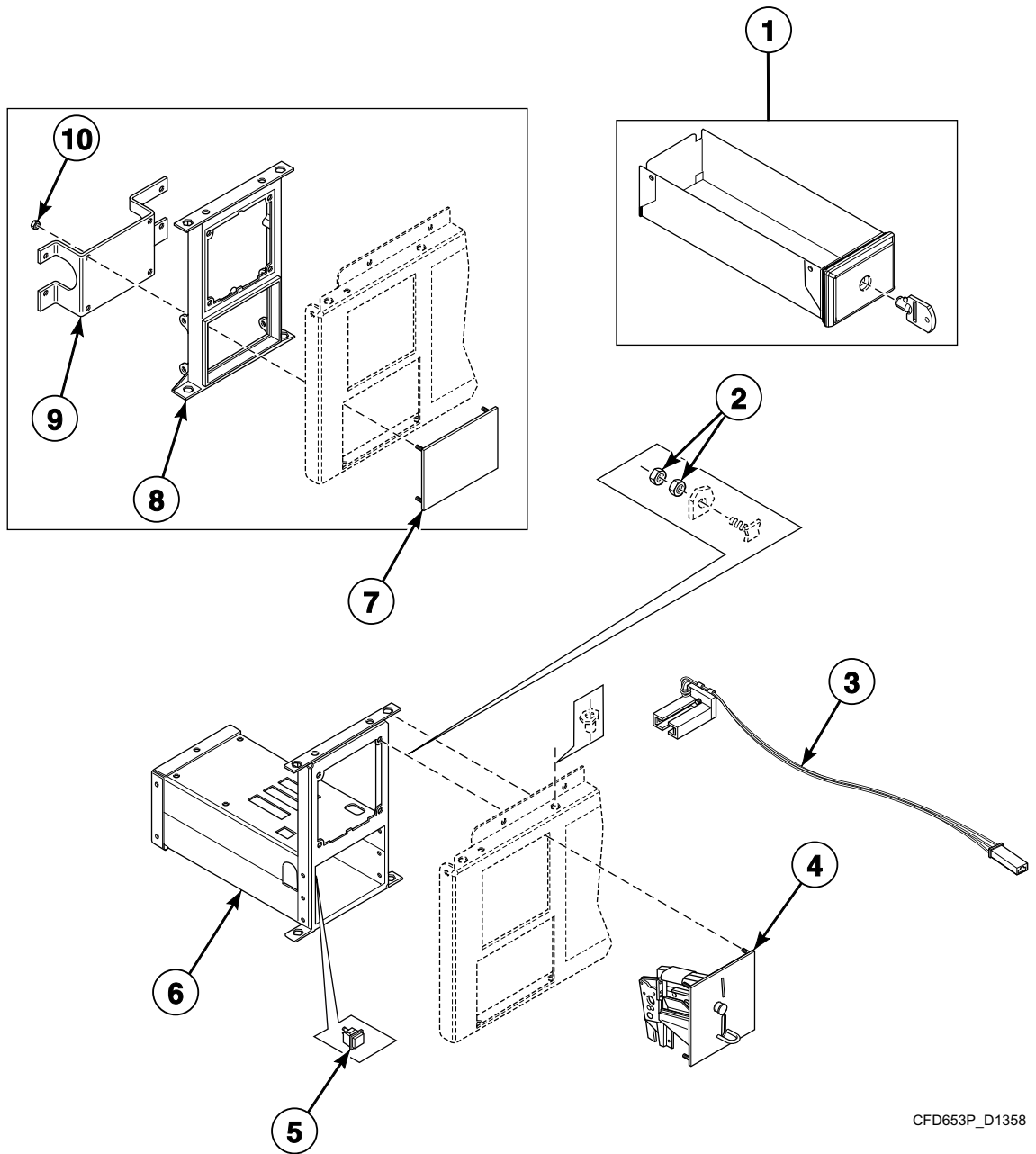
CFD657P_D1358

Control Panel - WE-8

REF	PART NO.	DESCRIPTION	COMMENTS
	B12348902	E-Stop Harness	
	B12348903	E-Stop Drive Harness	
	B12495501	Key Switch Harness	
	B12388302	Ribbon Assembly	
1	B12436201	Operating Panel	
2	F8435601	Overlay	UX models
	225/00435/00	Overlay	SX models
	225/00436/00	Logo Decal	HX models
3	209/00099/26	Contact Switch	NO
4	209/00029/26	Contact Switch	NC
5	B12491801	Contact Harness	
6	209/00520/00	Telem Sticker	
7	209/00248/00	Mushroom Pushbutton	
8	209/00326/20	Programming Key Contact Switch	
9	B12491701	Contact Harness	
10	225/00388/00	Overlay	Control
11	211/00140/00	Spacer	
12	223/00123/00	Washer	
13	204/00116/00	Nut	
14	209/00580/03	Display	
15	B12388302	Ribbon Assembly	
16	B12388305	Ribbon Assembly	
17	204/00008/00	Nut	
18	203/00007/00	Washer	

Coin Drop - Mechanical Coin Meter

Cygnus Commercial, Premium, Standard and Vended Models



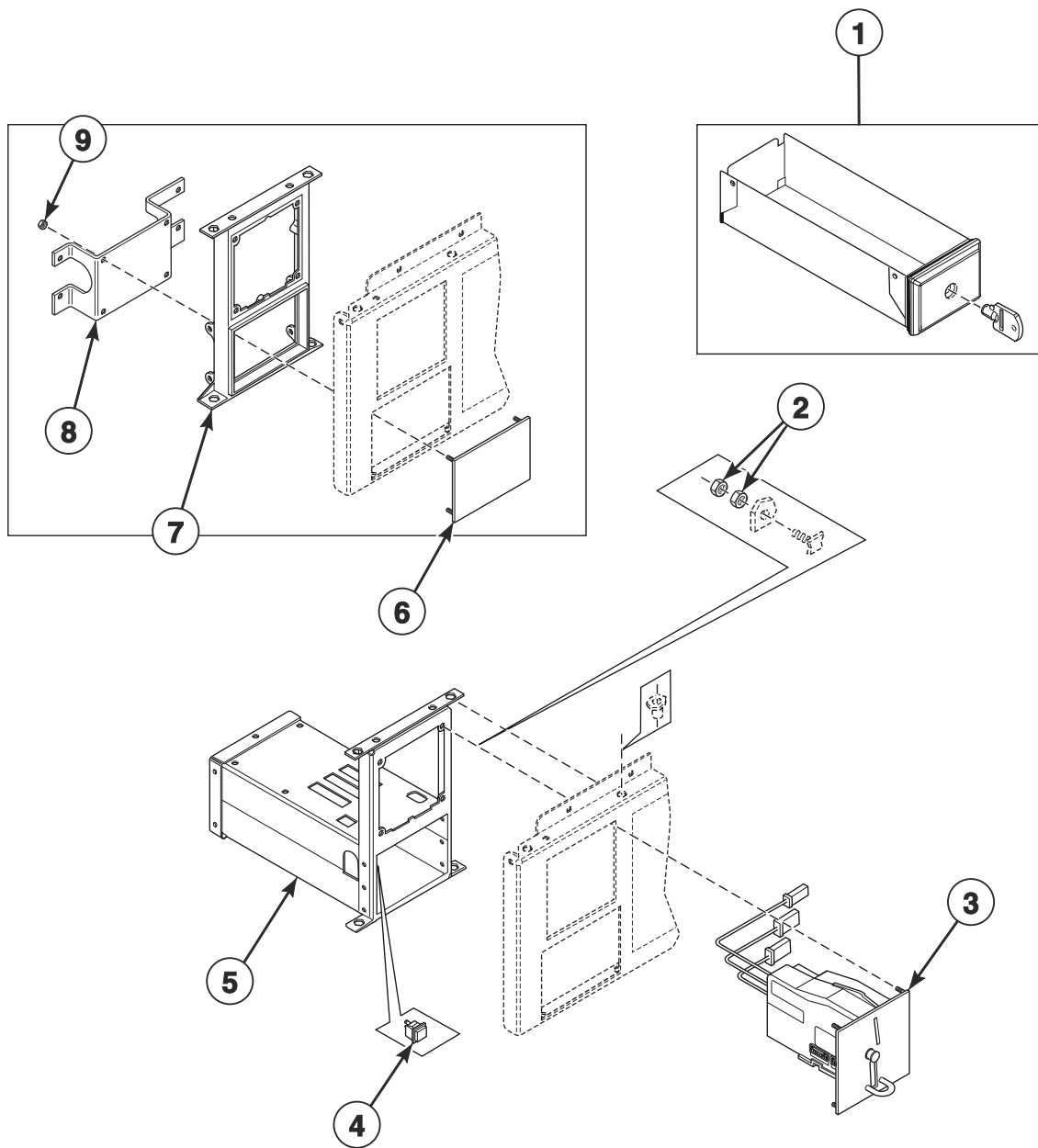
CFD653P_D1358

Coin Drop - Mechanical Coin Meter

REF	PART NO.	DESCRIPTION	COMMENTS	
1	254/00077/00	Coin Box		
	254/00077/02	Key		
2	204/00116/00	Nut		
3	B12309901	Wire Harness Assembly	Single/dual drop	
	B12310001	Wire Harness Assembly	Dual drop	
	B12359902	Optical Coin Drop Switch	B-series models; Single/dual drop	
4	B12311224	Coin Drop	Mechanical; Jeton 5K	
	B12311206	Coin Drop	Mechanical; Jeton 7K	
	B12311201	Coin Drop	Mechanical; Jeton 10K	
	B12311210	Coin Drop	Mechanical; Jeton 12K	
	B12311252	Coin Drop	Mechanical; Jeton10K and .5 euro	
	B12311211	Coin Drop	Mechanical; Jeton 7K and 1 euro	
	B12323901	Coin Drop	Mechanical; Jeton 15K and 7K	
	B12311204	Coin Drop	Mechanical; Jeton gettone	
	B12311234	Coin Drop	Mechanical; Jeton crouzet	
	B12311247	Coin Drop	Mechanical; Jeton 118-1	
	B12311248	Coin Drop	Mechanical; Jeton 118-5	
	B12311222	Coin Drop	Mechanical; 1 euro	
	B12311214	Coin Drop	Mechanical; .5 euro	
	B12311202	Coin Drop	Mechanical; .5 and 1 euro	
	B12311239	Coin Drop	Mechanical; .5 and 2 euro	
	B12311205	Coin Drop	Mechanical; .2 and 1 euro	
	B11211209	Coin Drop	Mechanical; .2 and .5 euro	
	B12311218	Coin Drop	Mechanical; 1 and 1 euro	
	B12311219	Coin Drop	Mechanical; 1 and 2 euro	
	B12311203	Coin Drop	Mechanical; 1 and 2 frank	
	B12311207	Coin Drop	Mechanical; 1 Deense kroon	
	B12311225	Coin Drop	Mechanical; 10 Deense kronen	
	B12311235	Coin Drop	Mechanical; 10 Tsjechische kronen	
	B12311244	Coin Drop	Mechanical; 10 Noorse kronen	
	B12311208	Coin Drop	Mechanical; 100 and 500 yen	
	B12311212	Coin Drop	Mechanical; 15K	
	B12311215	Coin Drop	Mechanical; 1 kro	
	B12311226	Coin Drop	Mechanical; Australia 1.00	
	B12311216	Coin Drop	Mechanical; Australia .2 and 1.00	
	B12311220	Coin Drop	Mechanical; New Zeland 1.00	
	B12311221	Coin Drop	Mechanical; .5 and 2 zwitsers	
	B12311241	Coin Drop	Mechanical; Hong Kong 1.00	
	B12311249	Coin Drop	Mechanical; Hong Kong 5.00	
	B12311301	Coin Drop	Mechanical; U.S. \$.25	
	B12311302	Coin Drop	Mechanical; U.S. \$.25 and 1.00	
	B12311304	Coin Drop	Mechanical; Canada .25 and 1.00	
	B12323401	Coin Drop	Mechanical; Singapore 1.00	
		209/00781/00	Optical Switch	
	5	209/00396/00	Pushbutton	
	6	152/00112/00	Mechanical Coin Meter Housing	
	7	111/01003/00	Top Panel	Black; Central pay option
	8	217/00060/00	Fastening Piece	Central pay option
9	111/01005/00	Backplate	Central pay option	
10	204/00116/00	Nut	Central pay option	

Coin Drop - Electronic Coin Meter

Cygnus Commercial, Premium, Standard and Vended Models

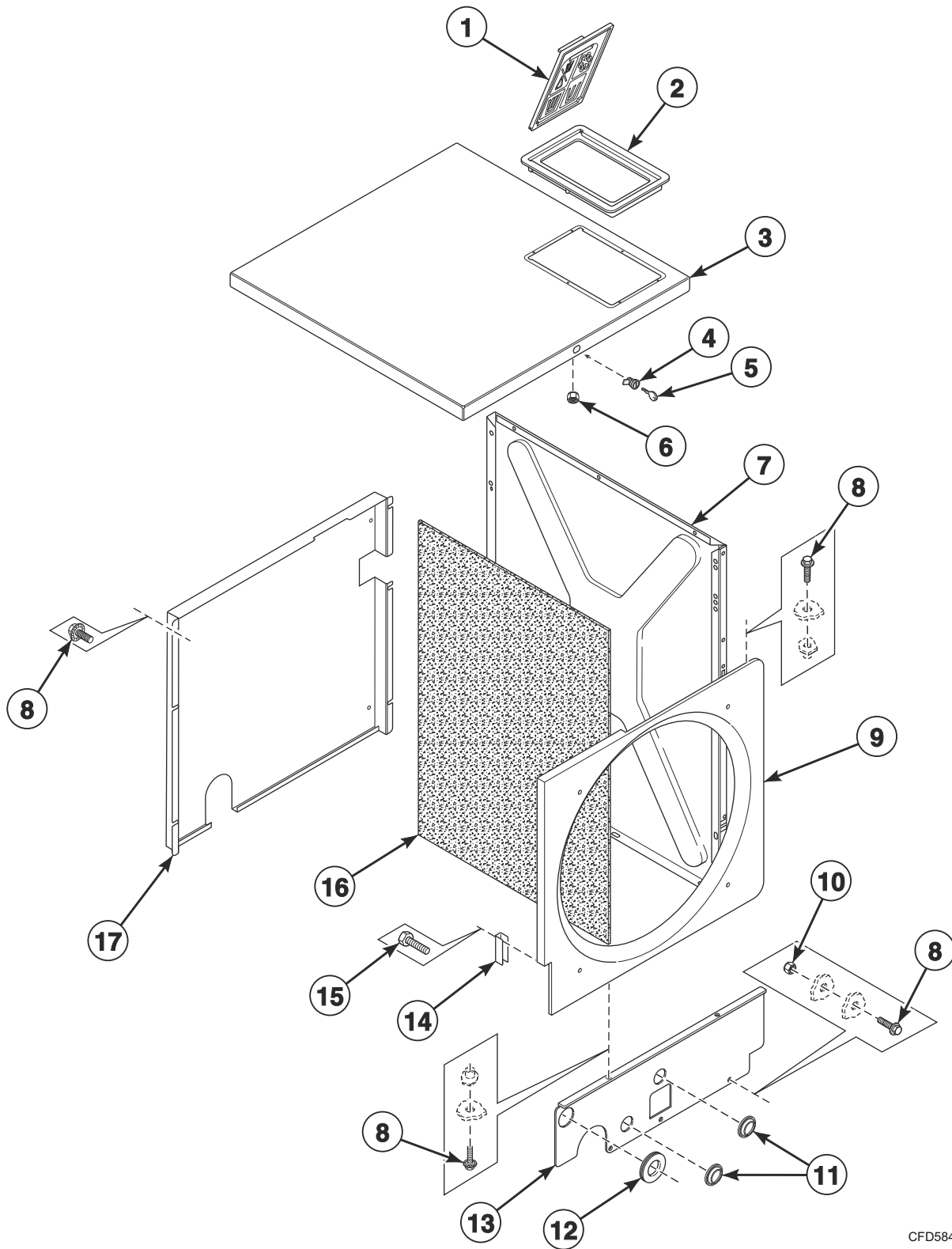


CFD617P_D1358

Coin Drop - Electronic Coin Meter

REF	PART NO.	DESCRIPTION	COMMENTS
	B12309901	Wire Harness Assembly	Single/dual drop
	B12310001	Wire Harness Assembly	Dual drop
	B12359902	Optical Coin Drop Switch	B-series models; Single/dual drop
1	254/00077/00	Coin Box	
	254/00077/02	Key	
2	204/00116/00	Nut	
3	B12311401	Coin Drop	
4	209/00396/00	Pushbutton	
5	152/00112/50	Electronic Coin Meter Housing	
6	111/01003/00	Top Panel	Black; Central pay option
7	217/00060/00	Fastening Piece	Central pay option
8	111/01005/00	Backplate	Central pay option
9	204/00116/00	Nut	Central pay option

Right Side, Front, Lower Rear and Top Panels - Models with Pump Drain

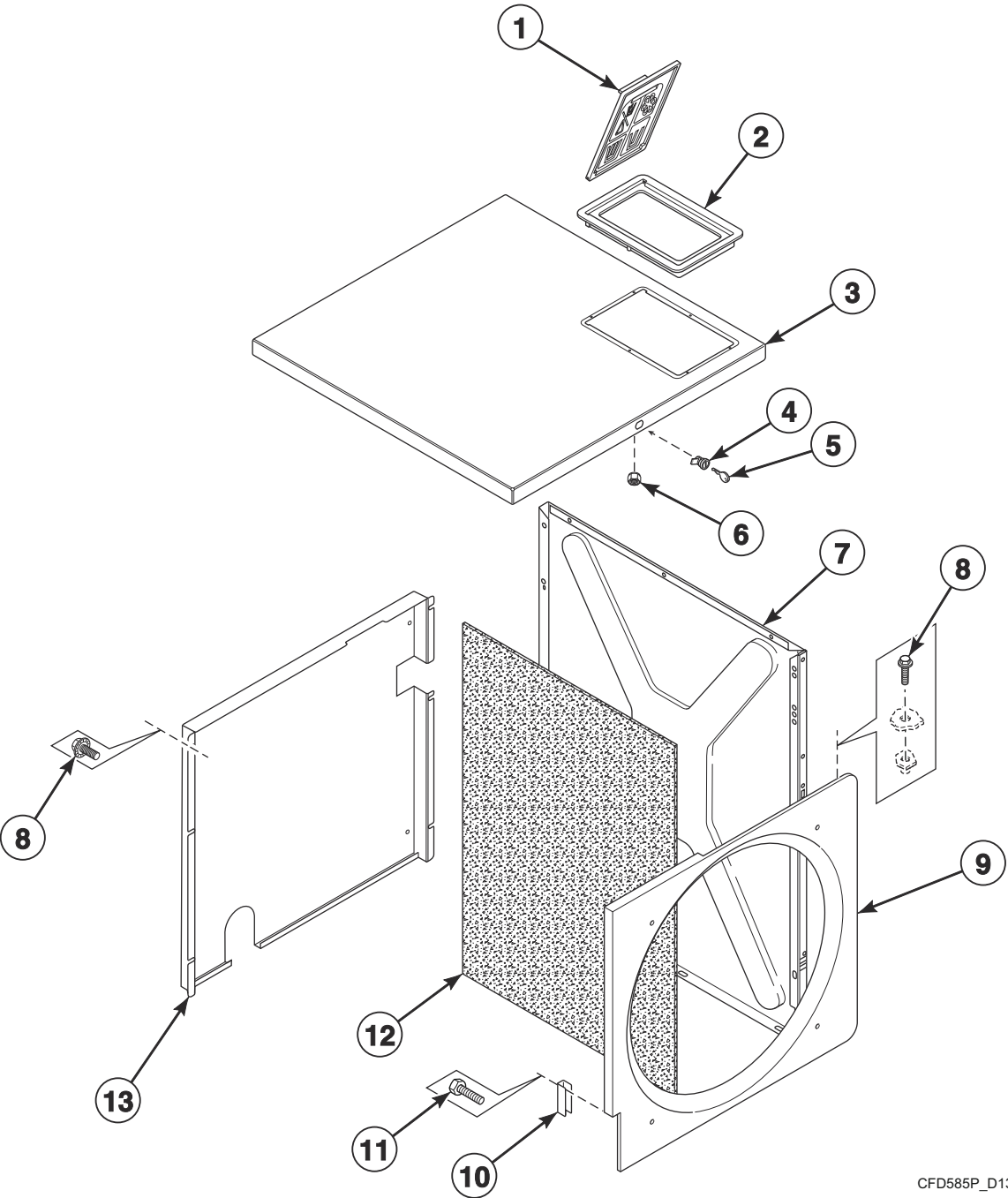


CFD584P_D1358

Right Side, Front, Lower Rear and Top Panels - Models with Pump Drain

REF	PART NO.	DESCRIPTION	COMMENTS
1	B12319101	Supply Dispenser Cover	U.S. models
	B12356701	Supply Dispenser Cover	International models
2	B12319201	Supply Dispenser Cover Frame	
3	B12324301	Top Panel	*12, *14, *18, *60, *65 and *75 models
	B12325401	Top Panel	*25 and *100 models
4	44089303P	Panel Lock	Includes item 5
5	70155603	Key	
6	B12509101	Nut	
7	111/10128/00	Side Panel	*12 and *60 models; Stainless steel
	111/10089/00	Side Panel	*14, *18, *65 and *75 models; Stainless steel
	111/10097/00	Side Panel	*25 and *100 models; Stainless steel
	111/60048/00	Side Panel	*12 and *60 models; Black
	111/60031/00	Side Panel	*14, *18, *65 and *75 models; Black
	111/60034/00	Side Panel	*25 and *100 models; Black
8	206/00104/00	Screw	
9	B12493001	Front Panel	
10	204/00009/00	Nut	
11	223/00198/00	Grommet	
12	223/00231/00	Cable Duct	
13	111/00289/00	Pump Protection Plate	
14	111/10089/01	Reinforcement Plate	
15	206/00114/00	Bolt	
16	246/00079/00	Side Panel Gasket	
17	B12312601	Lower Rear Panel	

Right Side, Front, Lower Rear and Top Panels - Models without Pump Drain

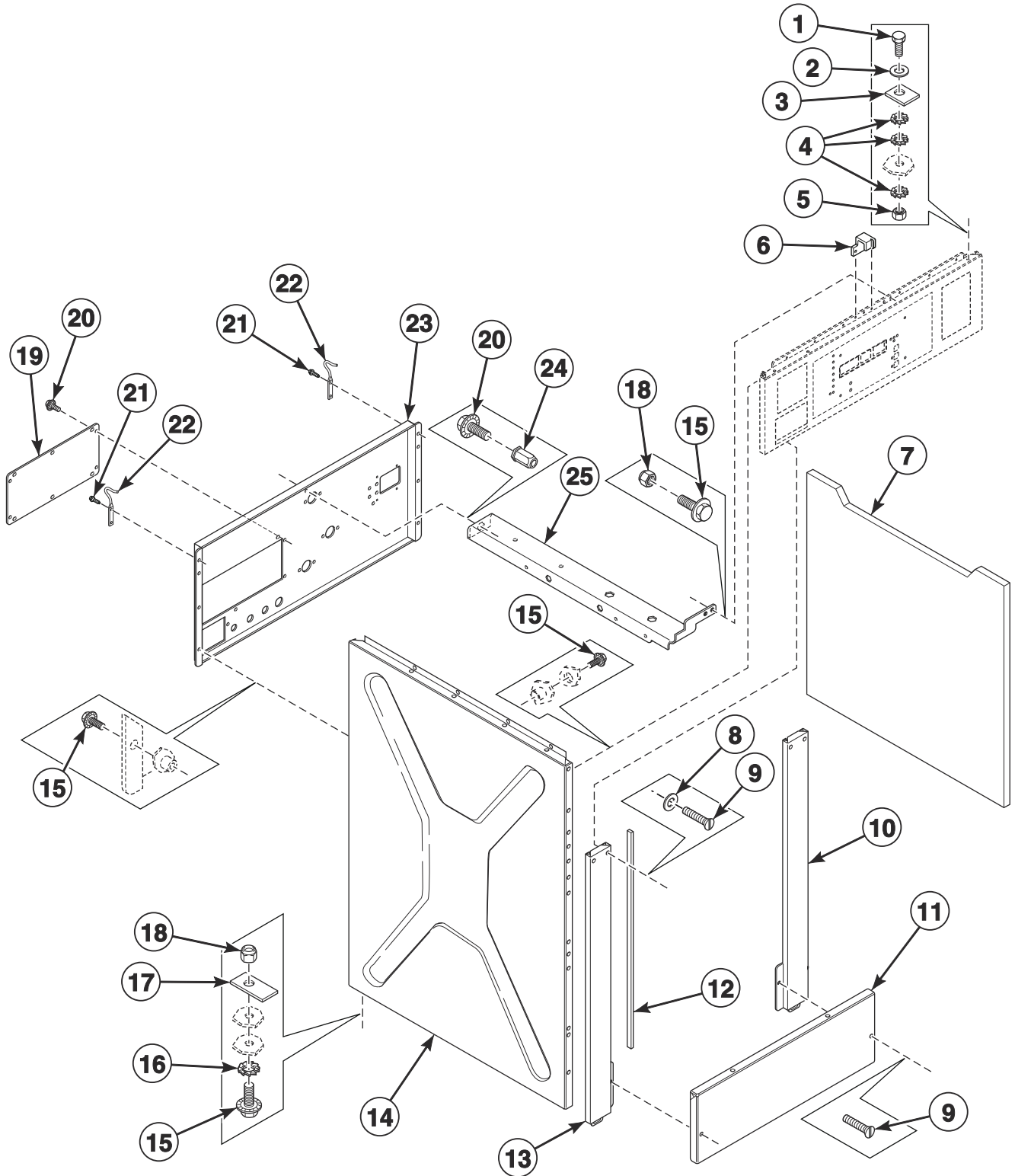


CFD585P_D1358

Right Side, Front, Lower Rear and Top Panels - Models without Pump Drain

REF	PART NO.	DESCRIPTION	COMMENTS
1	B12319101	Supply Dispenser Cover	U.S. models
	B12356701	Supply Dispenser Cover	International models
2	B12319201	Supply Dispenser Cover Frame	
3	B12324301	Top Panel	*12, *14, *18, *60, *65 and *75 models
	B12325401	Top Panel	*25 and *100 models
4	44089303P	Panel Lock	Includes item 5
5	70155603	Key	
6	44088801	Nut	
7	111/10128/00	Side Panel	*12 and *60 models; Stainless steel
	111/10089/00	Side Panel	*14, *18, *65 and *75 models; Stainless steel
	111/10097/00	Side Panel	*25 and *100 models; Stainless steel
	111/60048/00	Side Panel	*12 and *60 models; Black
	111/60031/00	Side Panel	*14, *18, *65 and *75 models; Black
	111/60034/00	Side Panel	*25 and *100 models; Black
8	206/00104/00	Screw	
9	B12493001	Front Panel	
10	111/10089/01	Reinforcement Plate	
11	206/00114/00	Bolt	
12	246/00079/00	Side Panel Gasket	
13	B12312601	Lower Rear Panel	

Left Side, Lower Front and Upper Rear Panels

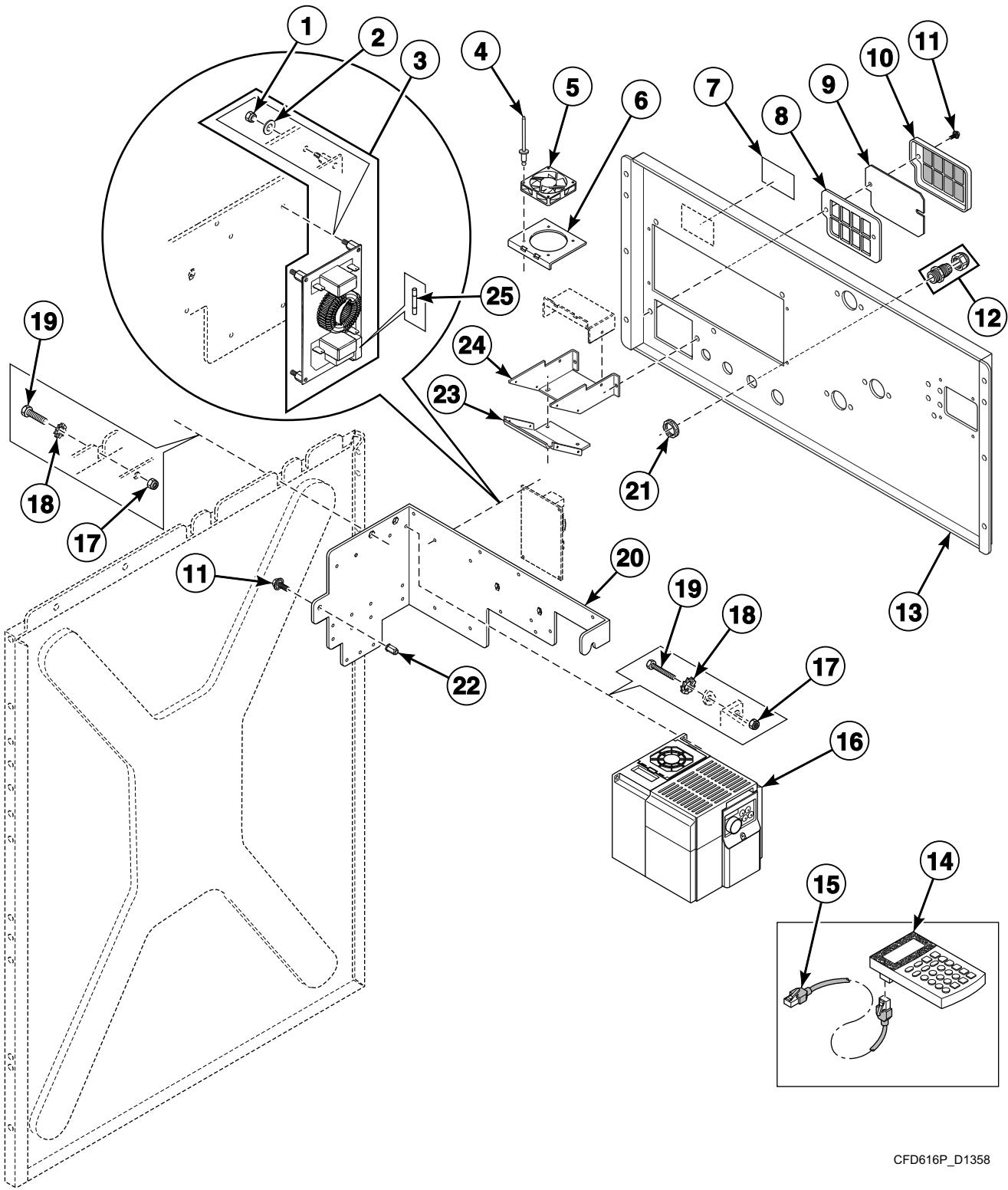


CFD586P_D1358

Left Side, Lower Front and Upper Rear Panels

REF	PART NO.	DESCRIPTION	COMMENTS
1	205/00106/00	Bolt	
2	202/00003/00	Washer	
3	117/00042/00	Retaining Ring	
4	203/00005/00	Washer	
5	204/00107/00	Nut	
6	F8201001	Top Cover Latch	
7	246/00079/00	Side Panel Gasket	
8	208/00009/00	Washer	
9	B12500601	Screw	
10	111/10146/00	Side Plate	Right
11	111/00285/00	Lower Front Panel	
12	B12525701	Cellular Rubber	
13	111/10145/00	Side Plate	Left
14	111/10128/00	Side Panel	*12 and *60 models; Stainless steel
	111/10089/00	Side Panel	*14, *18, *65 and *75 models; Stainless steel
	111/10097/00	Side Panel	*25 and *100 models; Stainless steel
	111/60048/00	Side Panel	*12 and *60 models; Black
	111/60031/00	Side Panel	*14, *18, *65 and *75 models; Black
	111/60034/00	Side Panel	*25 and *100 models; Black
15	205/00105/00	Bolt	
16	203/00004/00	Washer	
17	101/00007/00	Outlet Pipe Plate Assembly	
18	204/00009/00	Nut	
19	B12312501	Main Switch Cover	
20	206/00104/00	Screw	
21	B12462901	Screw	
22	B12487401	Top Cover Hinge	
23	B12312301	Backbridge	
24	204/00011/00	Nut	
25	B12324601	Supply Dispenser Crossbar	*25 and *100 models
	B12324101	Supply Dispenser Crossbar	All other models

Inverter Drive

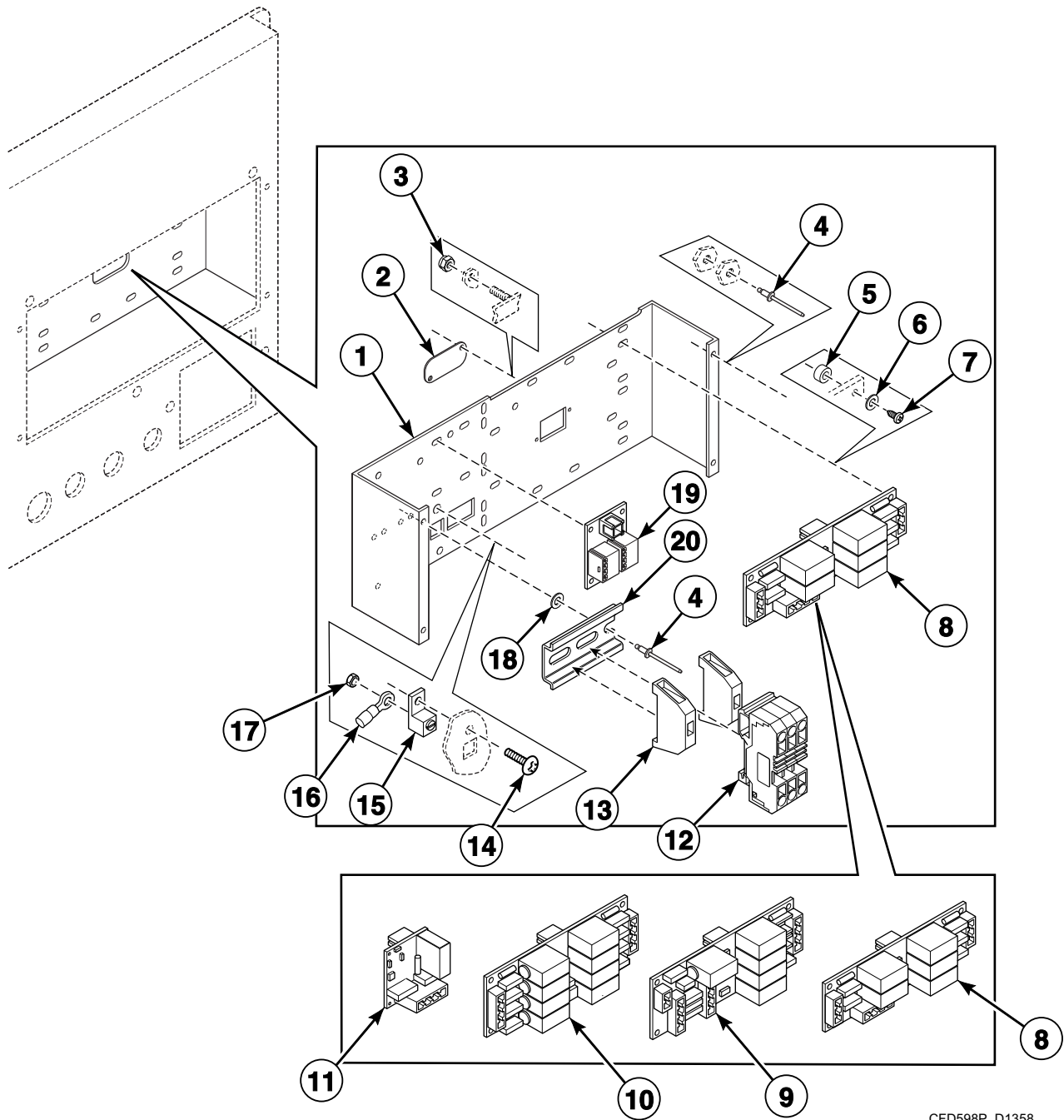


CFD616P_D1358

Inverter Drive

REF	PART NO.	DESCRIPTION	COMMENTS
	B12501502	E-Stop Drive Fan Harness	WE-8 models
	B12501501	E-Stop Drive Fan Harness	Cygnus models
	B12495601	Drive Source Harness	WE-8 models; C, N and P-voltage
	B12350101	Ethernet Cable	Cygnus models
1	204/00014/00	Nut	
2	202/00004/00	Washer	
3	B12339301	Noise Filter	15A1; 1x230 Volt; C, Q and X-voltage
	227/00242/00	Noise Filter	8A3; 3x400 Volt; N and P-voltage
4	208/00017/00	Rivet	
5	209/00465/00	Fan	
6	B12357201	Fan Mounting Plate	
7	B12355001	Voltage Discharge Decal	
8	B12372401	Inverter Air Inlet Filter Frame	Inside
9	B12382401	Inverter Air Inlet Filter Grill	
10	B12346701	Inverter Air Inlet Filter Frame	Outside
11	206/00104/00	Screw	
12	211/00181/00	Strain Relief Connector	
13	B12312301	Backbridge	
14	227/00171/00	Parameter Unit Assembly	Hand held
15	227/00171/10	Parameter Unit Program Cable	
16	F8420913	Inverter Drive	700 series; 1x230 Volt; WE-8 *18 and *75 models; C, Q and X-voltage
	F8420915	Inverter Drive	700 series; 1x230 Volt; WE-8 *25 and *100 models; C, Q and X-voltage
	227/00228/00	Inverter Drive	700 series; 1x230 Volt; Cygnus models; C, Q and X-voltage
	F8420914	Inverter Drive	700 series; 3x400 Volt; WE-8 *18 and *75 models; N and P-voltage
	F8420916	Inverter Drive	700 series; 3x400 Volt; WE-8 *25 and *100 models; N and P-voltage
	227/00236/00	Inverter Drive	700 series; 3x400 Volt; Cygnus models; N and P-voltage
17	204/00114/00	Nut	
18	203/00006/00	Washer	
19	206/00088/00	Bolt	
20	B12313101	Inverter Drive Box	
21	211/00170/00	Nut	
22	204/00011/00	Nut	
23	B12342701	Air Inlet Bottom	
24	B12342501	Air Inlet	
25	B12389501	Fuse	3.15 A; 500 Volt; Used with 227/00242/00 Noise Filter; N and P-voltage
	209/00468/00	Fuse	3.15 A; Used with B12339301 Noise Filter; C, Q and X-voltage

Printboard Support Panel and Soap Injection Printboards - Cygnus Models

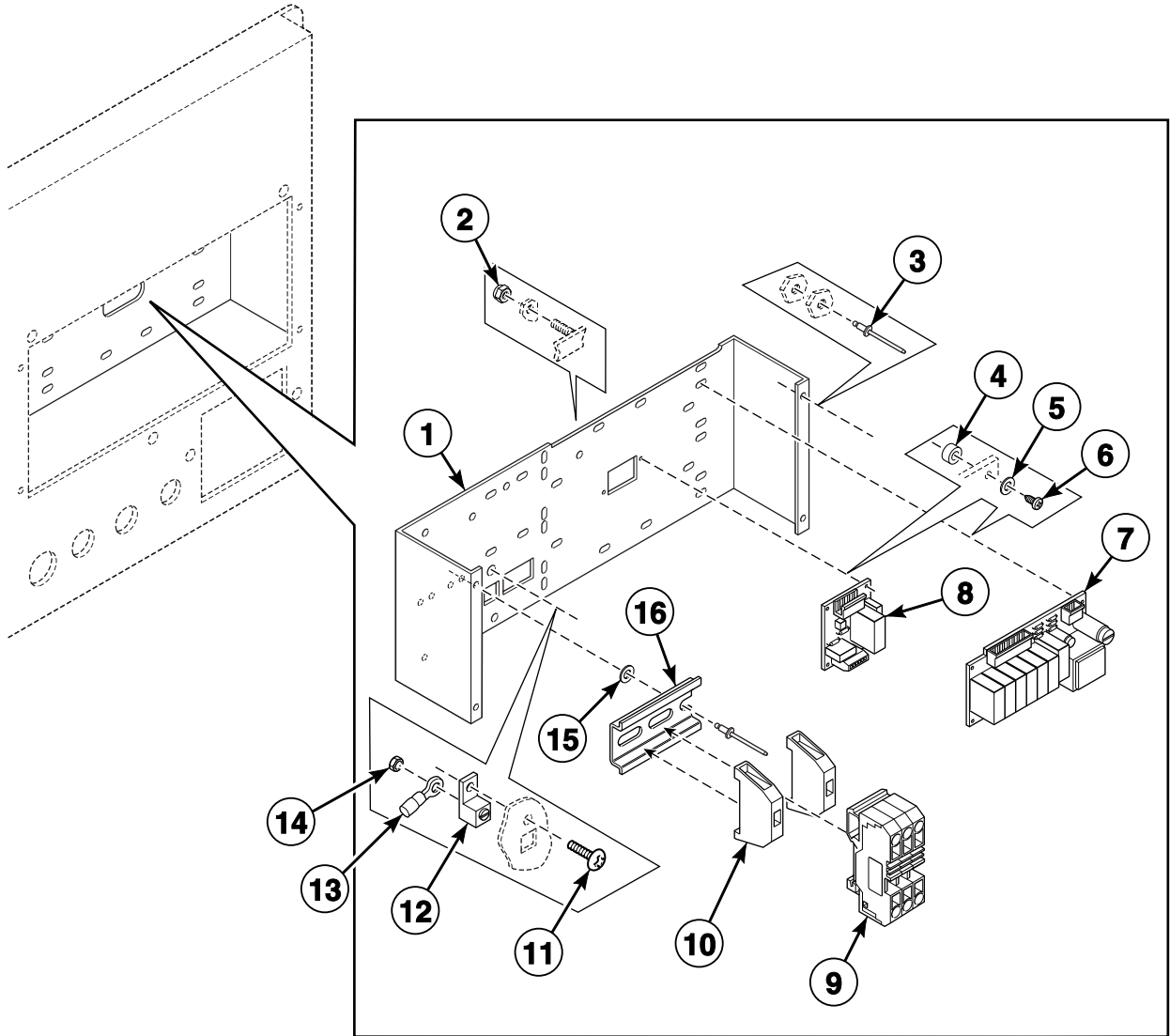


CFD598P_D1358

Printboard Support Panel and Soap Injection Printboards - Cygnus Models

REF	PART NO.	DESCRIPTION	COMMENTS
	B12388301	Ribbon Assembly	Used with items 8-11
	B12529201	Extension Board Kit	Used with items 8-11; Includes items 2-7, 16, B12381402 Central Supply Harness, B12388301 Ribbon Assembly, 201616 Transformer, 70030501 Mounting Clips, B12462901 Screw and B12319608 Diagram; Does not include extension board
	B12529301	Network Kit	Includes items 3, 5-7, 19, 211/00128/00 Printboard Separator, B12341801 Printboard Separator, B12341801 Printboard and B12390201 Network Connection Wiring
1	B12312401	Printboard Support	
2	B12382501	Flat Cable Plate	
3	204/00116/00	Nut	
4	208/00017/00	Rivet	
5	B12390301	Standoff	
6	223/00123/00	Washer	
7	B12393801	Screw	
8	209/02005/00	Detergent PC-Board	1-5
9	209/02014/00	Relay PC-Board	5-5
10	209/02008/00	Detergent PC-Board	1-8
11	209/02016/00	Relay PC-Board	1-1
12	209/01625/00	Terminal Block	Grey; 3 on C, N, P and Q-voltage; 1 on X-voltage
	209/01624/00	Terminal Block	Blue; 1 on C and X-voltage
	209/01625/01	Terminal End	
13	209/00633/02	End Stop	
14	206/00104/00	Screw	
15	M411283	Ground Lug Connector	
16	B12456001	Wiring Earth for Inverter	
17	206/00101/00	Nut	
18	202/00004/00	Washer	
19	B12344201	Network Board	Network models
20	B12315401	DIN Rail	60 mm

Printboard Support Panel and Soap Injection Printboards - WE-8 Models

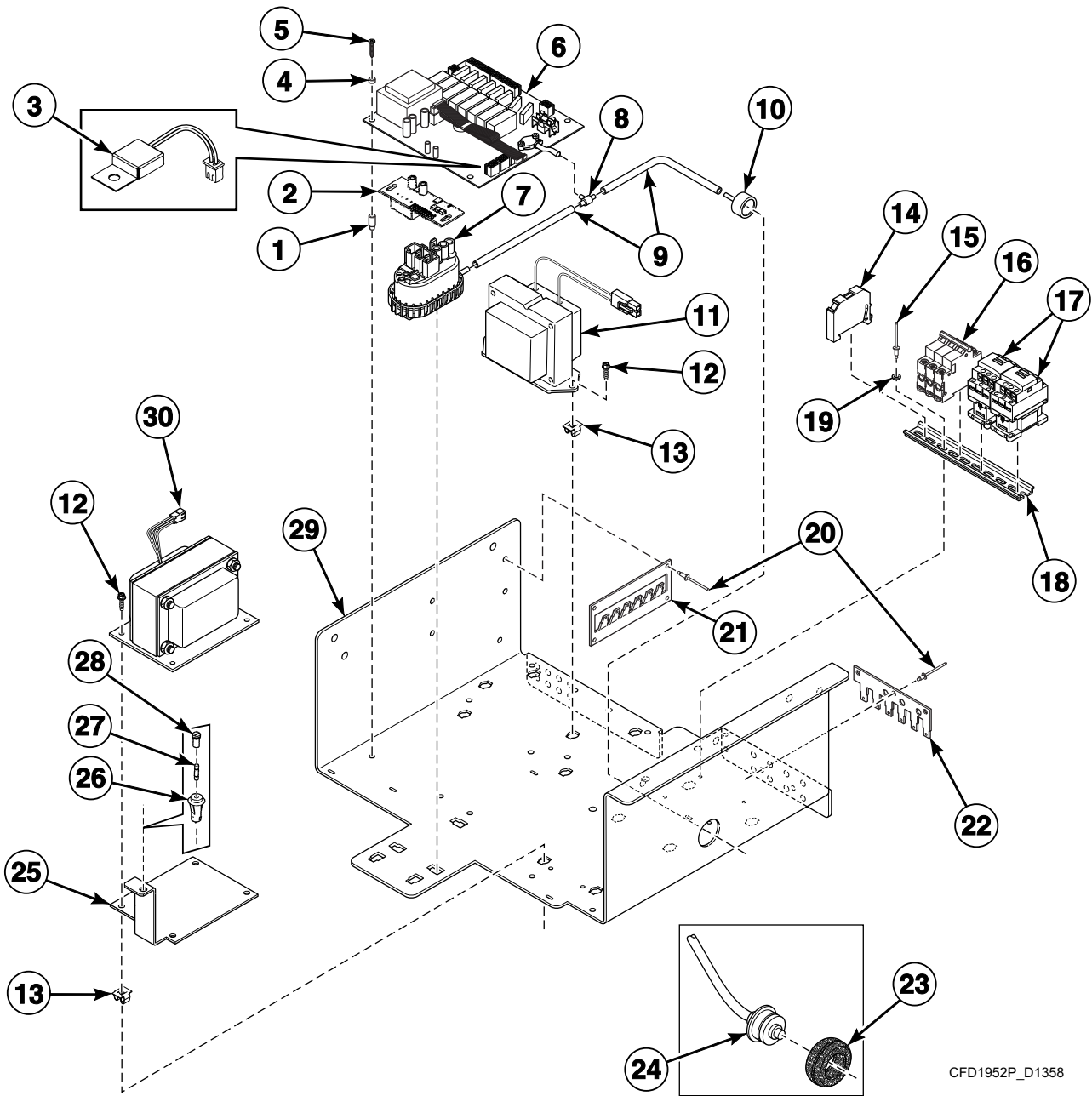


CFD2453P_D1358

Printboard Support Panel and Soap Injection Printboards - WE-8 Models

REF	PART NO.	DESCRIPTION	COMMENTS
	B12495702	Soap Board Harness	Used with item 9
1	B12312401	Printboard Support	
2	204/00116/00	Nut	
3	208/00017/00	Rivet	
4	B12390301	Standoff	
5	223/00123/00	Washer	
6	B12393801	Screw	
7	209/00218/13	Soap Injection PCB with Fuse	
8	209/00438/50	Central Control Board	240 Volt
9	209/01625/00	Terminal Block	Gray; 3 on C, N, P and Q-voltage, 1 on X-voltage
	209/01624/00	Terminal Block	Blue; 1 on C and X-voltage
	209/01625/01	Terminal End	
10	209/00633/02	End Stop	
11	206/00104/00	Screw	
12	M411283	Ground Lug Connector	
13	B12456001	Wiring Earth for Inverter	
14	206/00109/00	Nut	
15	202/00004/00	Washer	
16	B12315401	DIN Rail	60 mm

Electrical Component Mounting Plate - Cygnus Controls

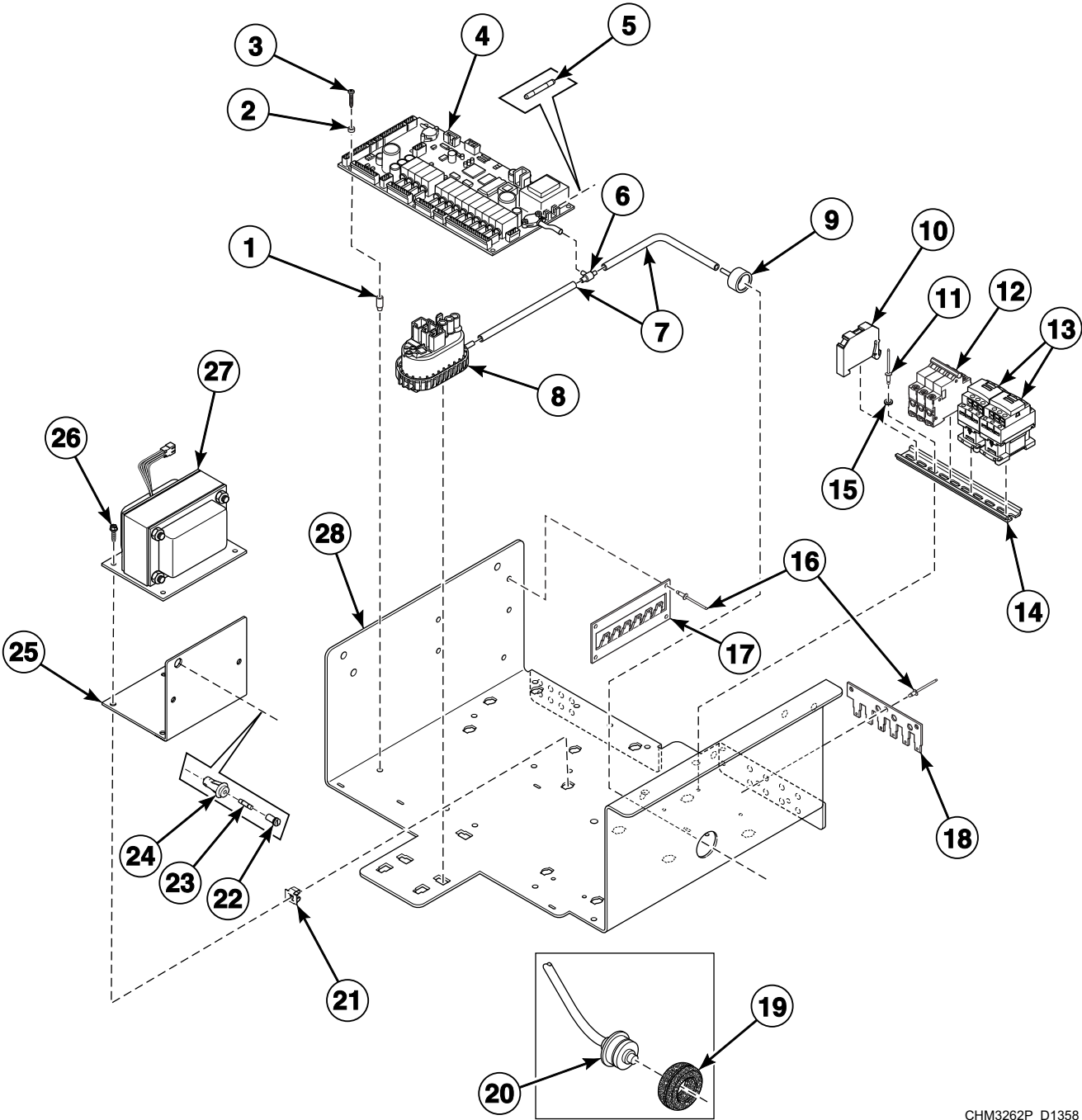


CFD1952P_D1358

Electrical Component Mounting Plate - Cygnus Controls

REF	PART NO.	DESCRIPTION	COMMENTS
	B12392701	Direct Fill Harness	
	B12381101	Main Control Tray Harness	
	B12348801	Harness Control Comm	
	B12348301	Control Supply Harness	N and P-voltage
	B12348101	Control Supply Harness	C, Q and X-voltage
	B12381402	Control Supply Harness	24 VAC; Direct fill
	B12390201	Network Connection Wiring	
1	B12390301	Standoff	
2	B12341801	Printboard	Network models
3	209/02020/00	ID Chip	
4	223/00123/00	Washer	
5	B12393801	Screw	
6	B12355701	Control Board	
	B12360001	Fuse	1.25A
7	209/00027/10B	Water Level Switch	Single lever; 200/160; Electric, steam and dual heat
8	223/00173/10	Pressure Switch Hose Tee	
9	223/00333/00	Pressure Hose	
10	223/00035/02	Pressure Switch Cap	
11	201616	Transformer	Models with extension boards
12	B12462901	Screw	
13	B12449601	Expansion Clip	N and P-voltage
14	209/00633/02	End Stop	Electric, steam or dual heat
15	208/00017/00	Rivet	
16	B12487101	Circuit Breaker	C and Q-voltage; Electric heat
	B12474601	Circuit Breaker	N and P-voltage; Electric heat
17	209/06148/02	Heating Contactor	1 on C, P and N-voltage; 2 on Q-voltage; Electric heat
18	B12315301	DIN Rail	200 mm
19	202/00004/00	Washer	
20	208/00017/00	Rivet	
21	B12395201	Earth Plate Side	
22	B12395301	Earth Plate Bottom	
23	225/10004/00	Thermostat Seal	
24	210/01064/16	Thermostat	
25	B12439601	Transformer Fuse Mounting Plate	N and P-voltage
26	70329401	Fuse Holder Body	N and P-voltage
27	802492	Fuse	N and P-voltage
28	70329501	Fuse Holder Cap	N and P-voltage
29	B12313001	Electrical Component Mounting Plate	
30	F8401301	Transformer	N and P-voltage

Electrical Component Mounting Plate - WE-8 Control

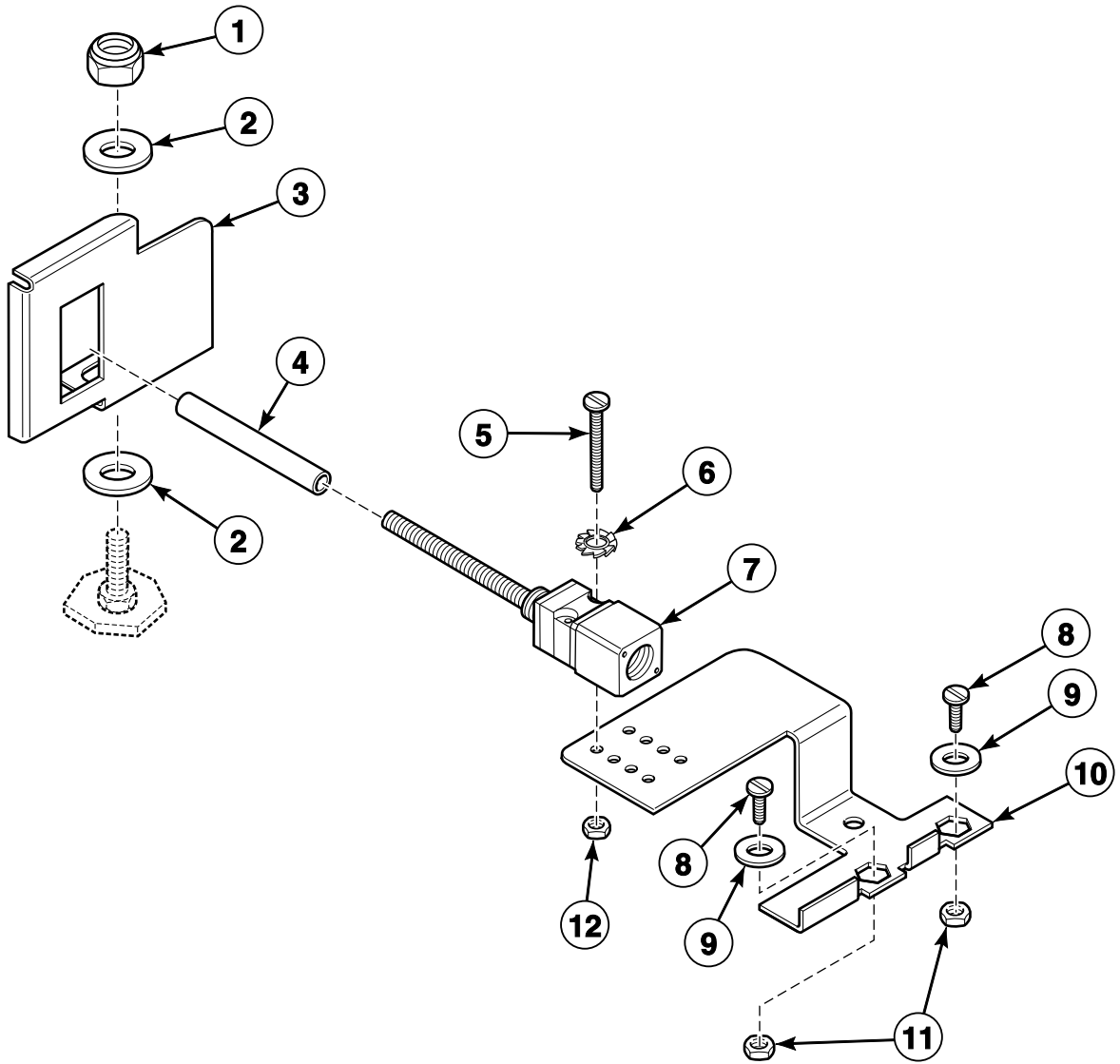


CHM3262P_D1358

Electrical Component Mounting Plate - WE-8 Control

REF	PART NO.	DESCRIPTION	COMMENTS
	B12348303	Control Supply Harness	N and P-voltage
	B12348103	Control Supply Harness	C, Q and X-voltage
	B12381103	Main Control Tray Harness	
	B12392704	Direct Fill Harness	240 Volt
1	B12390301	Standoff	
2	223/00123/00	Washer	
3	B12393801	Screw	
4	B12565801	Main Control	
5	209/00372/01	Fuse	0.125 Amps
6	223/00173/10	Pressure Switch Hose Tee	
7	223/00333/00	Pressure Hose	
8	209/00027/10B	Water Level Switch	Single lever; 200/160; Electric and steam heat
9	223/00035/02	Pressure Switch Cap	
10	209/00633/02	End Stop	Electric, steam or dual heat
11	208/00027/00	Rivet	
12	B12487101	Circuit Breaker	Electric heat; C and Q-voltage; *18 and *75 models with X-voltage
13	209/06148/02	Heating Contactor	Electric heat; C and Q-voltage; *18 and *75 models with X-voltage
14	B12315301	DIN Rail	200 mm
15	202/00004/00	Washer	
16	208/00017/00	Rivet	
17	B12395201	Earth Plate Side	
18	B12395301	Earth Plate Bottom	
19	225/10004/00	Thermostat Seal	
20	210/01064/16	Thermostat	
21	B12449601	Expansion Clip	
22	70329501	Fuse Holder Cap	N and P-voltage
23	802492	Fuse	N and P-voltage
24	70329401	Fuse Holder Body	N and P-voltage
25	B12439701	Transformer Fuse Mounting Plate	N and P-voltage
26	B12462901	Screw	
27	F8401301	Transformer	N and P-voltage
28	B12313002	Electrical Component Mounting Plate	

Balance Switch

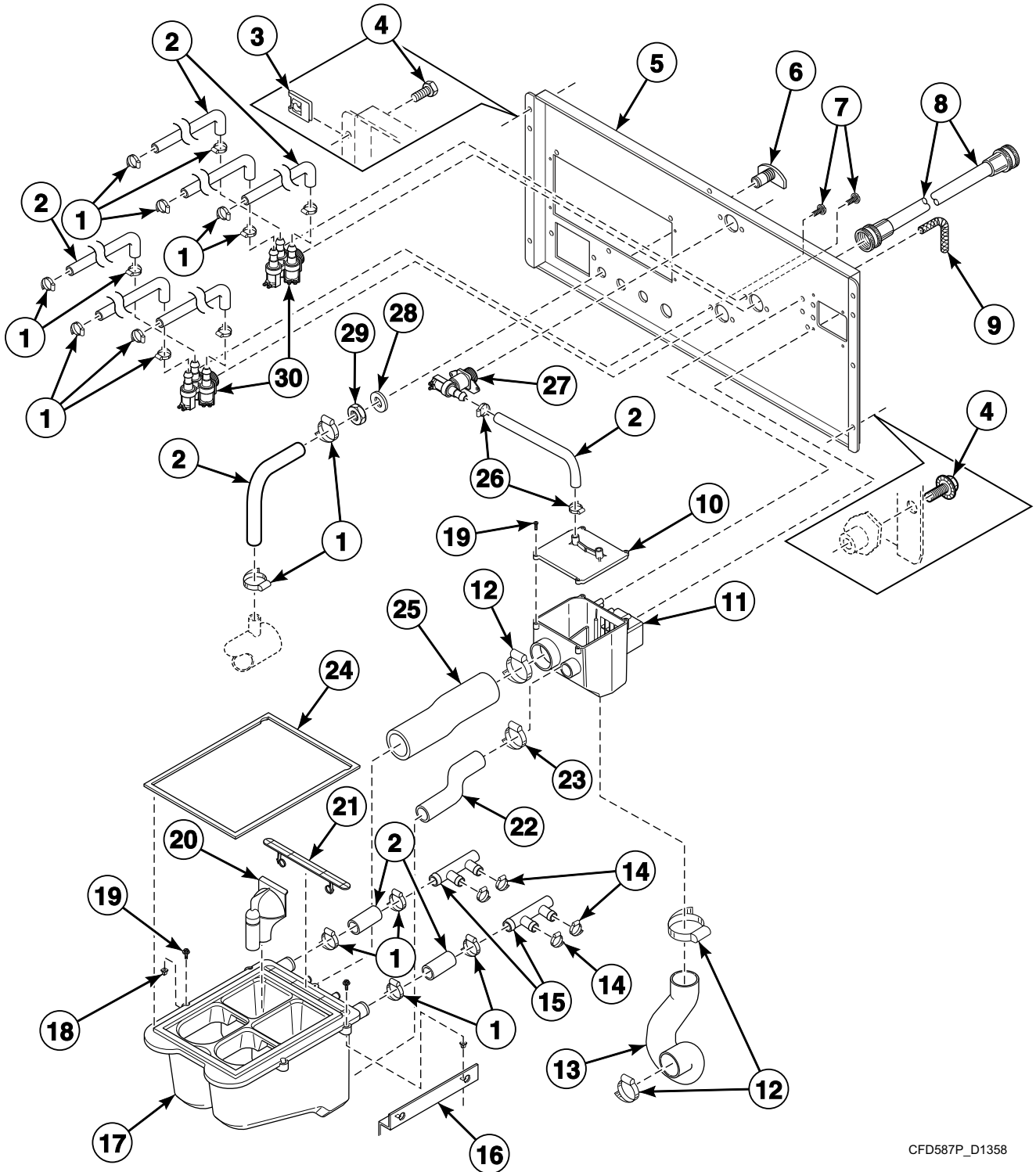


CFD544P_D1358

Balance Switch

REF	PART NO.	DESCRIPTION	COMMENTS
	B12349901	Out-of-Balance Switch Wiring Harness	Cygnus models
	B12349902	Out-of-Balance Switch Harness	WE-8 models
1	204/00110/00	Nut	
2	201/00010/00	Washer	
3	111/01854/00	Tilt Detector Plate	
4	223/00246/00	Out-of-Balance Switch Boot	
5	207/00018/00	Screw	
6	203/00006/00	Washer	
7	209/00255/00	Out-of-Balance Switch	
8	B12484601	Bolt	
9	201/00006/00	Washer	
10	111/01855/00	Tilt Switch Support	
11	204/00005/00	Nut	
12	204/00007/00	Nut	

Fill Plumbing Assembly



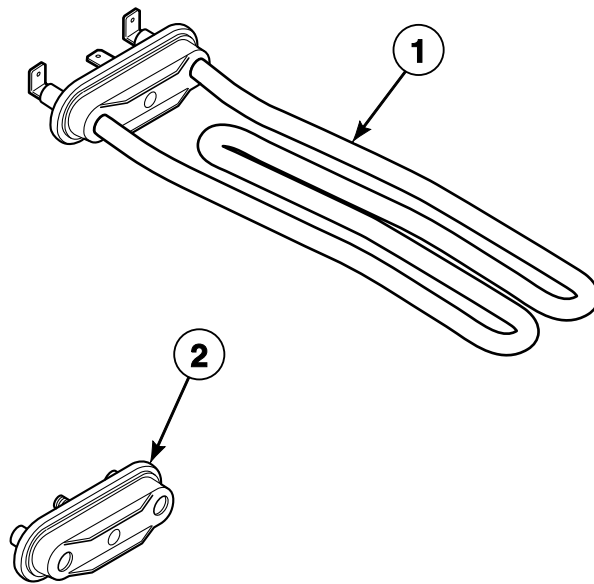
CFD587P_D1358

Fill Plumbing Assembly

REF	PART NO.	DESCRIPTION	COMMENTS
	B12349201	Inlet Valve Harness	Cygnus models
	B12349202	Inlet Valve Harness	WE-8 models
1	223/00010/00	Hose Clamp	
2	223/00044/01	Water Hose	
3	B12469601	Clip	
4	B12462901	Screw	
5	B12312301	Backbridge	
6	223/00001/04	Prewash and Mainwash Nozzle	
7	206/00027/00	Bolt	
8	F200164	Water Hose	Standard thread
	F200166	Water Hose	Metric thread
9	223/00179/10	Pressure Hose	
10	F8439301	Vacuum Breaker Cover	
11	F8048601	Vacuum Breaker Assembly	Includes item 10
12	223/00014/00	Hose Clamp	
13	B12324506	Siphon Break Hose	
14	223/00011/00	Hose Clamp	
15	F8333201	Manifold	
16	B12316401	Supply Dispenser Support	
17	F8047401	Dispenser Assembly	
18	B12463001	Insert	
19	B12462801	Screw	
20	F8047901	Siphon Cover	
21	F8047801	Access Cover	
22	B12313303	Dispenser Overflow Hose	
23	223/00223/00	Hose Clamp	
24	F8308301	Dispenser Gasket	
25	B12390004	Vacuum Supply Hose	
26	223/00013/00	Hose Clamp	
27	209/00276/00	Inlet Valve	1-way; Hard water rinse option; Metric thread
	223/00050/01	Water Valve Adapter	Standard thread
28	201/00002/00	Washer	
29	204/00201/00	Nut	
30	B12463101	Inlet Valve	3-way; Standard thread
	B12496201	Inlet Valve	3-way; Metric thread

Electric and Steam Heating Options

All Models Except CXR014X and CXR014Z



CFD588P_D1358

Electric and Steam Heating Options

REF	PART NO.	DESCRIPTION	COMMENTS
	F140329	Strain Relief Connector	
	F140609	DIN Connector	
	B12308001	Relay	Steam heat
	B12349702	Steam Heat Harness	WE-8 models
	B12349701	Steam Heat Harness	Cygnus models
	B12349801	Dual Heat Harness	Cygnus models
	B12382302	Steam Valve Harness	
	B12349602	Electric Heat Harness	WE-8 models
	B12349601	Electric Heat Harness	Cygnus models
	B12382201	Heat Harness	Electric heat; X-voltage; *12 and *60 models
	B12455802	Heat Harness	Electric heat; Q-voltage; *18 and *75 models with X-voltage
	B12455902	Heat Harness	Electric heat; C, N and P-voltage
	B12348502	Branch Harness	Electric heat; Q-voltage; *18, *25, *75 and *100 models
	B12348503	Branch Harness	Electric heat; X-voltage; *12 and *60 models
	B12348504	Branch Harness	Electric heat; C, N and P-voltage; *12, *60 and *65 models with Q-voltage
	B12348505	Branch Harness	Electric heat; X-voltage; *18 and *75 models
	B12381202	Power Jumper Harness	Electric heat; X-voltage; *18 and *75 models
	B12381201	Power Jumper Harness	
	209/06148/02	Heating Contactor	Electric heat
	209/00027/10B	Water Level Switch	Steam heat
1	209/00562/20	Heating Element	3 kW; 240 Volt; X-voltage; *12 and *60 models
	209/00563/20	Heating Element	2 kW; 240 Volt; C, P and Q-voltage; *18 and *75 models with X-voltage
	209/00564/20	Heating Element	3 kW; 275 Volt; N-voltage
2	209/00196/00	Heating Element Plug	