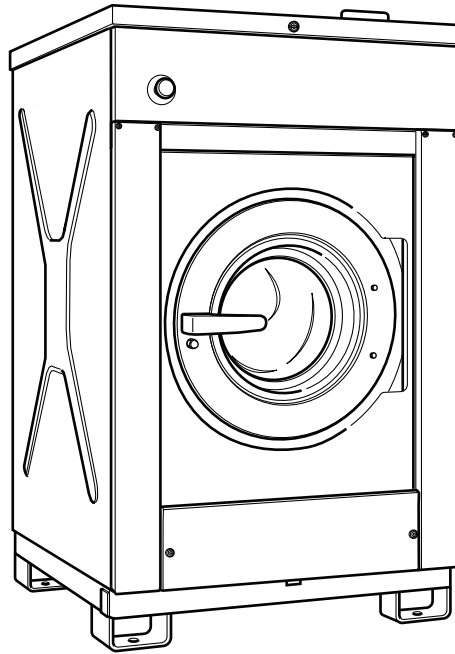


Washer-Extractor

Cabinet Freestanding
Refer to Page 3 for Model Numbers



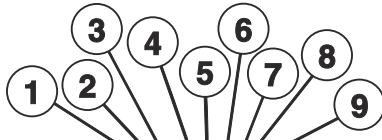
CFD30C_D1360

Model Identification


Information in this manual is applicable to these washer-extractor models:

CS055_CYGNUS-ULTRA	HX55	IXW235C
CS075_CYGNUS-ULTRA	HX75	IXW235X
CXG235X	HXN235P	IXW235Y
CXG235Z	HXN305P	IXW235Z
CXG305X	IS055_CYGNUS-ULTRA	IXW305C
CXG305Z	IS075_CYGNUS-ULTRA	IXW305X
CXN235U	IXG235C	IXW305Y
CXN235X	IXG235X	IXW305Z
CXN235Z	IXG235Y	IXZ235C
CXN305U	IXG235Z	IXZ235X
CXN305X	IXG305C	IXZ235Y
CXN305Z	IXG305X	IXZ235Z
CXU235X	IXG305Y	IXZ305C
CXU235Z	IXG305Z	IXZ305X
CXU305X	IXN235C	IXZ305Y
CXU305Z	IXN235U	IXZ305Z
CXW235X	IXN235X	JXW235C
CXW235Z	IXN235Y	JXW235X
CXW305X	IXN235Z	JXW235Y
CXW305Z	IXN305C	JXW235Z
CXZ235X	IXN305U	JXW305C
CXZ235Z	IXN305X	JXW305X
CXZ305X	IXN305Y	JXW305Y
CXZ305Z	IXN305Z	JXW305Z
DXU235X	IXU235C	PXU235Y
DXU305X	IXU235X	PXU305Y
HD235_CYGNUS-COMM	IXU235Y	SX55
HD235_CYGNUS-PREM	IXU235Z	SX75
HD235_CYGNUS-PRO	IXU305C	SXN235P
HD235_CYGNUS-STANDARD	IXU305X	SXN305P
HD305_CYGNUS-COMM	IXU305Y	UX55
HD305_CYGNUS-PREM	IXU305Z	UX75
HD305_CYGNUS-PRO		UXN235P
HD305_CYGNUS-STANDARD		UXN305P
		WXU235C
		WXU305C


Cabinet Freestanding Washer-Extractor Product Overview

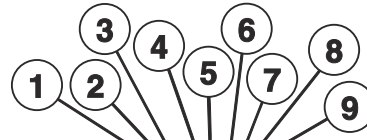


Model No: IXU135XNCU0E	Serial No: 12090AE0036
Volts: 380-415V	Type: HD135
Hertz: 50(60)Hz	Capacity: 1 30/13.2 lbs/kg 3
Phase: 3+N	Water Pressure: 28-85 psi
Amps: 24.3 amps	Pressure: 2-6 bar
Recommended Circuit Breaker: 25 amps	Max Speed: 1000 rpm
Electrical Heating: 12-14. kW	Net Weight: 788 lbs
Steam Heat: N/A psi / N/A bar	Weight: 358 kg
Sound Level: 62/73 dBA	IPX4
sfc 807393	



Alliance International BVBA
Nieuwstraat 146
8560 Wevelgem
Belgium
Tel: +32 56 41 20 54
Fax: +32 56 41 86 74
www.ipsos.be
Country of origin: Belgium






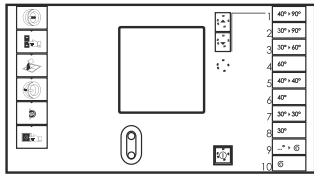
Model No: IHM185SNLXUOP	Serial No: 1209BG0043
Volts: 200-240V	Type: WD185
Hertz: 60(50)Hz	Capacity: 1 40/18.2 lbs/kg 3
Phase: 1	Water Pressure: 28-85 psi
Amps: 3.5 amps	Pressure: 2-6 bar
Recommended Circuit Breaker: 15 amps	Max Speed: 470 rpm
Electrical Heating: N/A kW	Net Weight: 618 lbs
Steam Heat: N/A psi / N/A bar	Weight: 281 kg
Sound Level: 62/73 dBA	IPX4
sfc 807410	



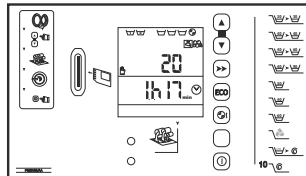
Alliance International BVBA
Nieuwstraat 146
8560 Wevelgem
Belgium
Tel: +32 56 41 20 54
Fax: +32 56 41 86 74
www.ipsos.be
Country of origin: Belgium



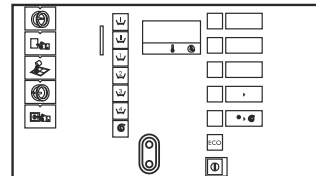
ETV US
198748 LISTED
CONFORMS TO ANSUL STD 2157
CERTIFIED TO CAN/CSA STD C22.2 NO.105-94



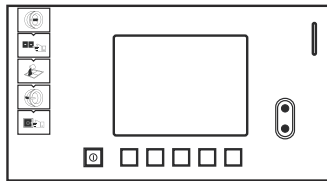
Cygnus Premium Coin



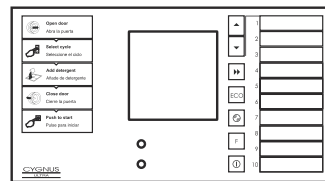
Cygnus Premium OPL



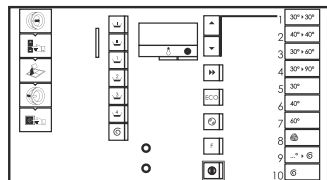
Cygnus Standard OPL



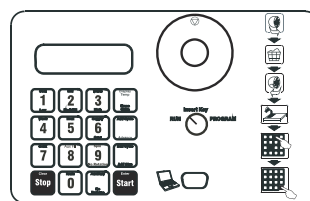
Cygnus Professional



Cygnus Ultra



Cygnus Commercial



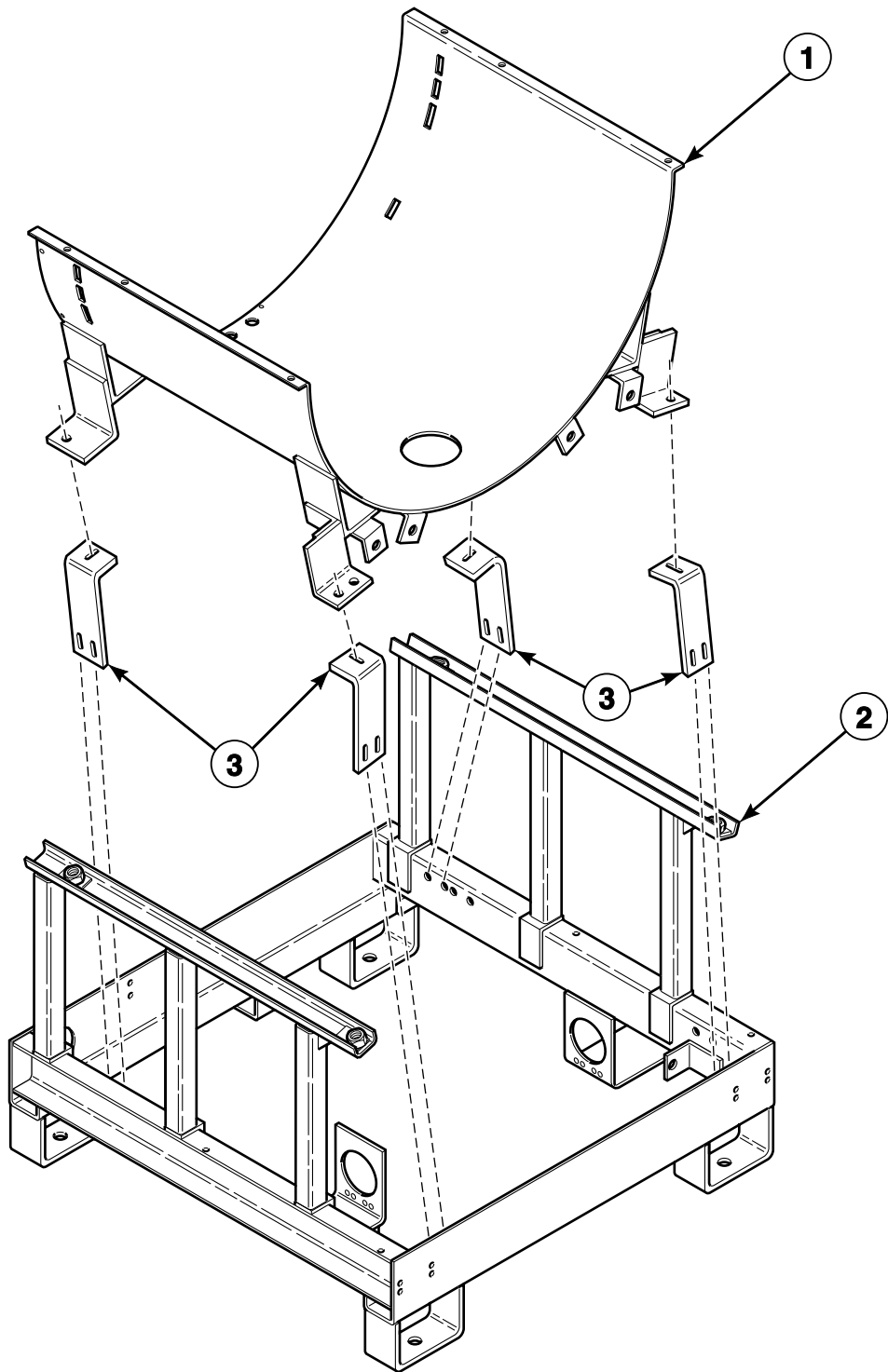
WE-8

CFD605P_D1360

Cabinet Freestanding Washer-Extractor Product Overview

REF	PART NO.	DESCRIPTION	COMMENTS
1	-	Product Family	CS CX DX HD HX IS IX JX PX SX UX WX
2	-	Market	G (GOS) N (US ETL/ETL[C]) U (EU [CE]) W (EU [CE] WRAS) Z (No Agency Int.)
3	-	Capacity	55 75 235 305
4	-	Control	C (Cygnus Standard) P (WE-8) U (Cygnus Ultra) X (Cygnus Commercial) Y (Cygnus Premium) Z (Cygnus Professional)
5	-	Actuation	C (Single Coin Drop) D (Dual Coin Drop) E (Electronic Coin Drop) L (Central Pay Pulses) N (OPL) S (Central Pay Serial Comm)
6	-	Speed	H (High Speed)
7	-	Voltage	C (380-415/50-60/3/4) N (440-480/50-60/3/3) P (380-415/50-60/3/3) Q (200-208/220-240/50-60/3/3) X (200-208/220-240/50-60/1/2/2)
8	-	Cabinet	I (Stainless Steel Side Panels) U (Standard)
9	-	Design	1

Frame - *55 and *235 Models

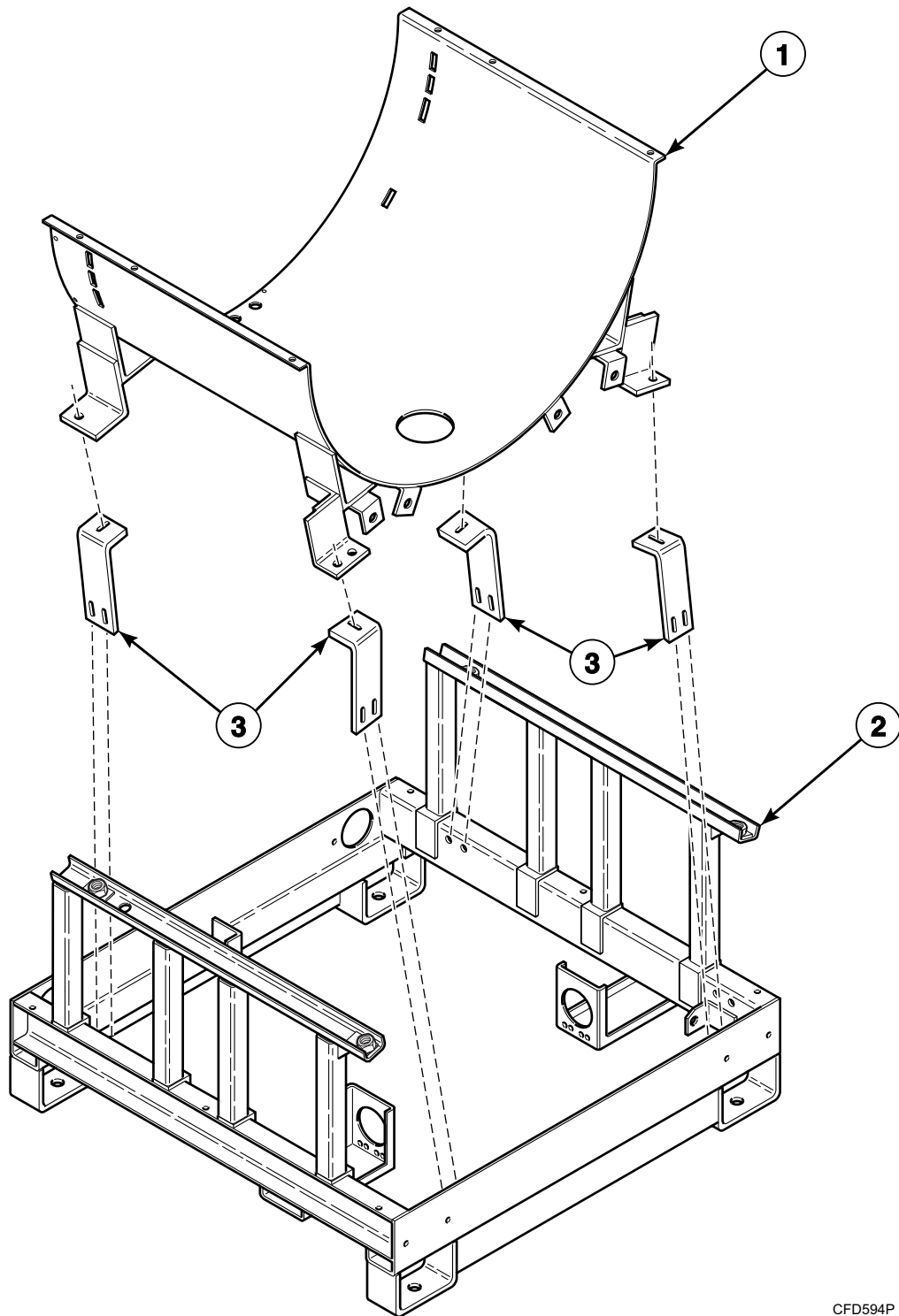


CFD593P_D1360

Frame - *55 and *235 Models

REF	PART NO.	DESCRIPTION	COMMENTS
1	115/00144/00	Tub Support	
2	114/00019/50	Frame	
3	114/00024/00	Shipping Brace	

Frame - *75 and *305 Models

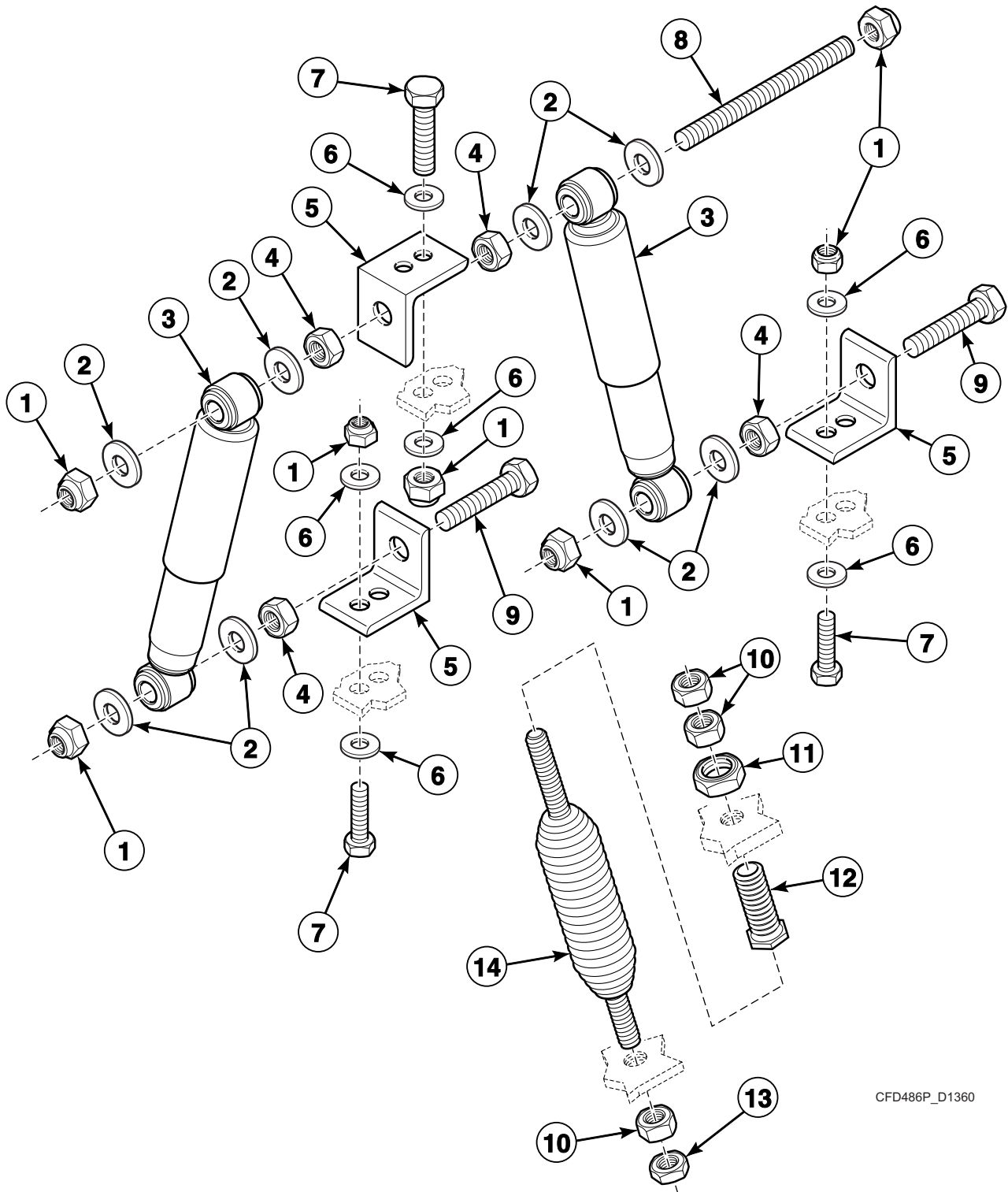


CFD594P_D1360

Frame - *75 and *305 Models

REF	PART NO.	DESCRIPTION	COMMENTS
1	115/00118/00	Tub Support	
2	114/00018/50	Frame	
3	114/00023/00	Shipping Brace	

Shock and Spring Assembly - *55 and *235 Models

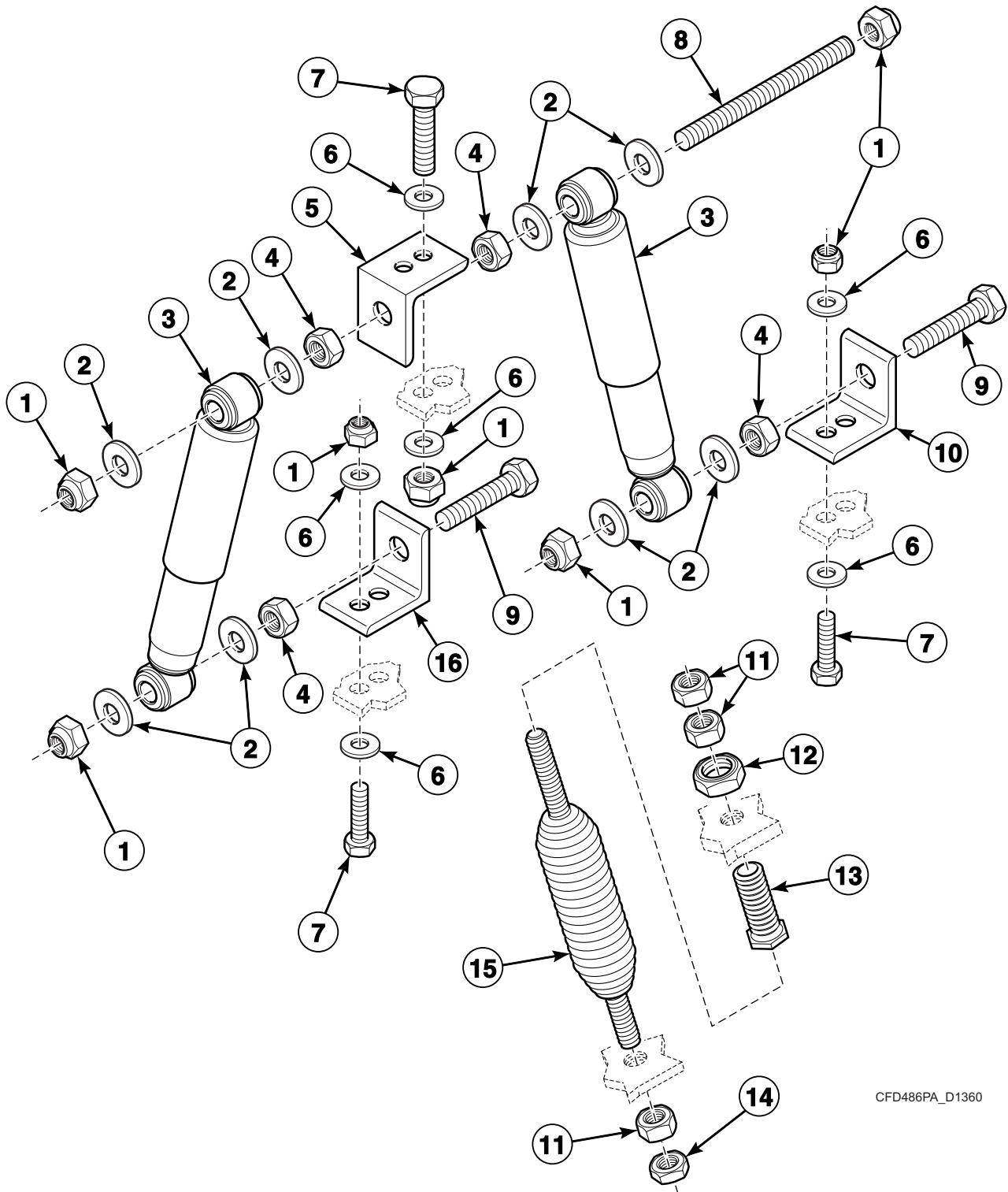


CFD486P_D1360

Shock and Spring Assembly - *55 and *235 Models

REF	PART NO.	DESCRIPTION	COMMENTS
	B12419101	Shock Absorber Service Kit	Includes items 1-3, 5, 6 and 8-10, 206/00119/00 Bolt, 204/00110/00 Nut, 111/10101/00 Dispenser Front Mounting Plate, 111/10102/00 Dispenser Rear Mounting Plate, 206/00027/00 Bolt, 202/00004/00 Washer, 204/00114/00 Nut, B12419501 Small Caliber and B12419401 Large Caliber
1	204/00113/00	Nut	
2	201/00001/00	Washer	
3	247/00008/00	Shock Absorber	
4	204/00012/00	Nut	
5	B12418401	Support	
6	201/00010/00	Washer	
7	206/00087/00	Bolt	
8	115/00117/14	V-Belt Clip	
9	206/00153/00	Bolt	
10	204/00012/00	Nut	
11	204/00016/00	Nut	
12	224/00046/00	Bolt	
13	204/00019/00	Nut	
14	B12456301	Suspension Spring	

Shock and Spring Assembly - *75 and *305 Models

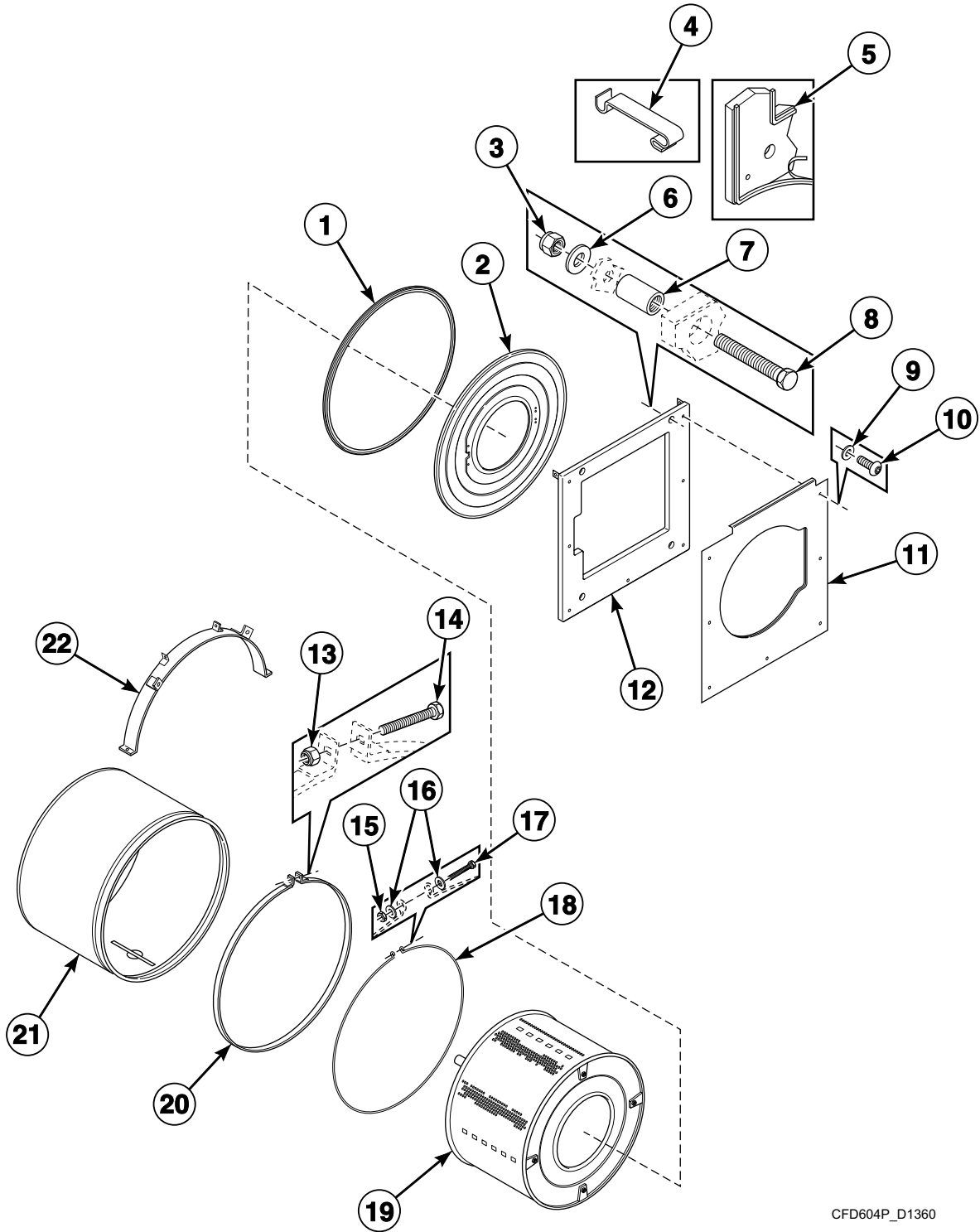


CFD486PA_D1360

Shock and Spring Assembly - *75 and *305 Models

REF	PART NO.	DESCRIPTION	COMMENTS
	B12460901	Shock Absorber Service Kit	Includes items 1-3, 5, 6, 8-11 and 16, 206/00119/00 Bolt, 204/00110/00 Nut, B12459801 Out-of-Balance Frame, B12456101 Support Bracket, B12456201 Support Bracket, 206/00027/00 Bolt, 202/00004/00 Washer, 204/00114/00 Nut, B12463301 Small Caliber, B12463201 Large Caliber
1	204/00113/00	Nut	
2	201/00001/00	Washer	
3	247/00008/00	Shock Absorber	
4	204/00012/00	Nut	
5	B12455401	Support	
6	201/00010/00	Washer	
7	206/00087/00	Bolt	
8	115/00117/14	V-Belt Clip	
9	206/00153/00	Bolt	
10	B12455301	Support	
11	204/00012/00	Nut	
12	204/00016/00	Nut	
13	224/00046/00	Bolt	
14	204/00019/00	Nut	
15	B12456301	Suspension Spring	
16	B12418401	Support	

Tub and Drum - *55 and *235 Models

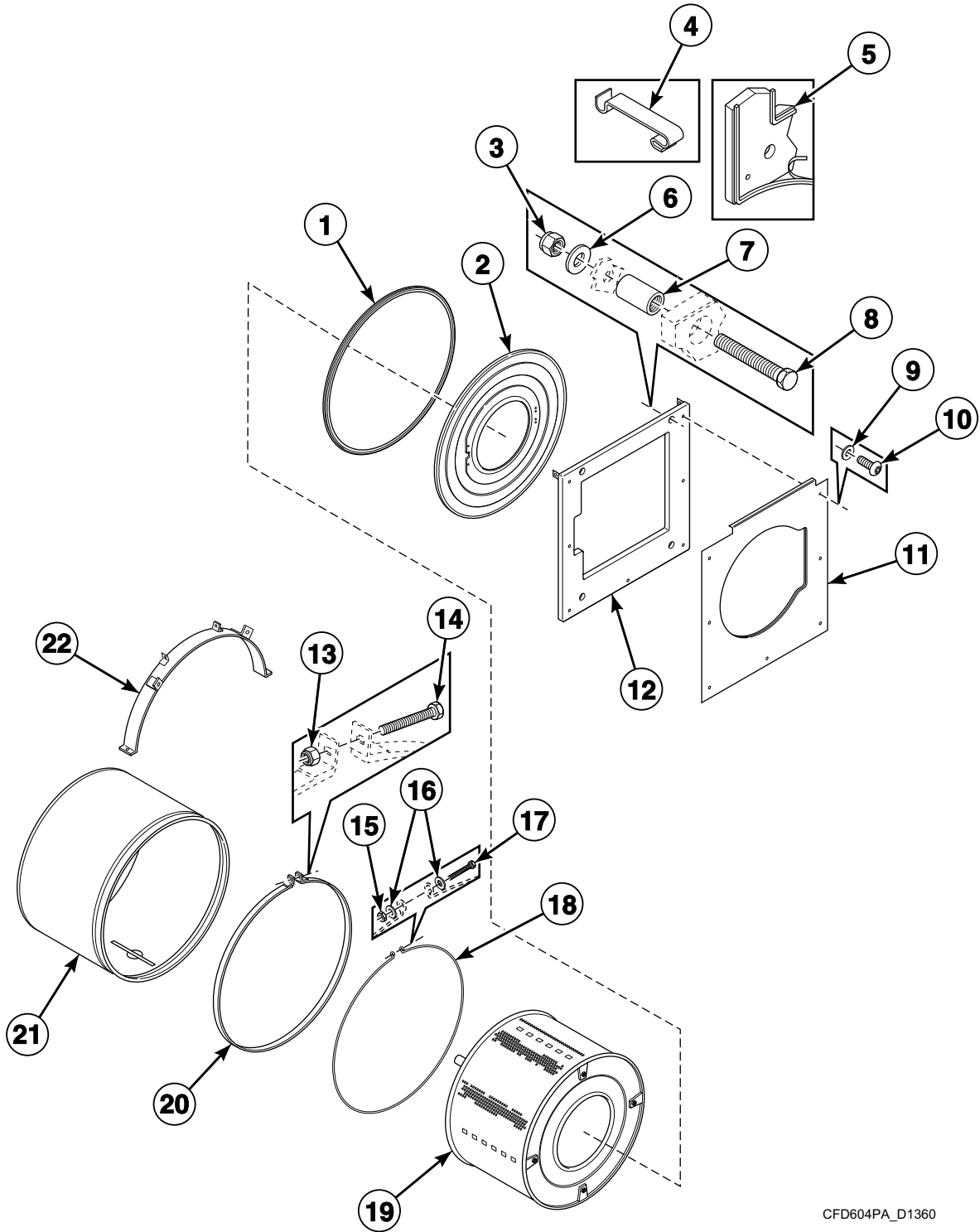


CFD604P_D1360

Tub and Drum - *55 and *235 Models

REF	PART NO.	DESCRIPTION	COMMENTS
1	223/00242/00	Tub Front Gasket	
2	138/00001/00	Tub Front	
3	204/00113/00	Nut	
4	217/00008/00	Tub Front Panel Clip	
5	246/00092/00	Gasket	Per meter
6	201/00001/00	Washer	
7	115/00151/00	Spacer	
8	206/00071/00	Bolt	
9	202/00112/00	Washer	
10	205/00103/00	Bolt	
11	111/05015/00	Door Front Panel	
12	115/00140/00	Counterweight	
13	204/00111/00	Nut	
14	206/00066/00	Bolt	
15	204/00009/00	Nut	
16	201/00007/00	Washer	
17	206/00032/00	Bolt	
18	238/00011/00	Tub Clamp Ring	
19	B12380901	Basket	3 mm; Used with B12333701 Seal Holder Assembly
	B12381001	Basket	9 mm; Used with B12333701 Seal Holder Assembly
20	137/00008/00	Tub Mounting Strap	
21	B12330101	Tub	Electric heat
	119/00251/00	Tub	Steam heat
	B12330201	Tub	Boiler fed
	119/00250/00	Tub	Electric and steam heat
	119/00253/00	Tub	Electric and steam heat with circulation pump
22	115/00161/00	Tub Front Mounting Strap	

Tub and Drum - *75 and *305 Models

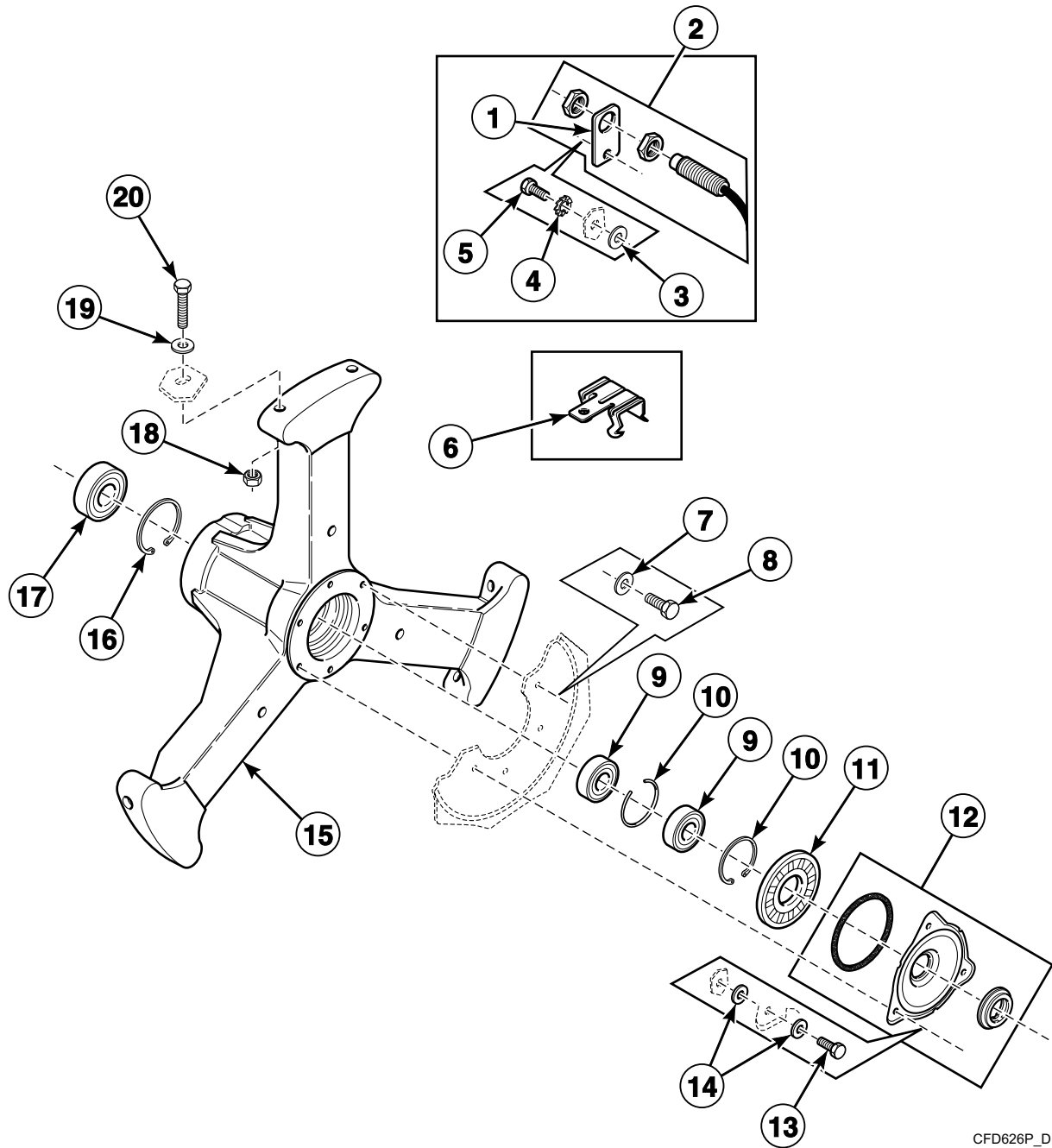


CFD604PA_D1360

Tub and Drum - *75 and *305 Models

REF	PART NO.	DESCRIPTION	COMMENTS
1	223/00242/00	Tub Front Gasket	
2	131/00002/00	Front Panel	
3	204/00113/00	Nut	
4	217/00008/00	Tub Front Panel Clip	
5	246/00092/00	Gasket	Per meter
6	201/00001/00	Washer	
7	115/00151/00	Spacer	
8	206/00071/00	Bolt	
9	202/00101/00	Washer	
10	205/00103/00	Bolt	
11	111/32945/00	Door Front Panel	
12	115/00136/00	Counterweight	
13	204/00009/00	Nut	
14	206/00066/00	Bolt	
15	204/00009/00	Nut	
16	201/00007/00	Washer	
17	206/00032/00	Bolt	
18	231/00010/00	Tub Front Ring Clamp	
19	B12327301	Drum	
20	131/00010/00	Tub Strap	
21	119/10208/00	Tub	Boiler fed
	119/10210/00	Tub	Steam heat
	B12330501	Tub	Electric and steam heat
22	115/00163/00	Tub Tightening Ring	

Bearing Assembly - *55 and *235 Models

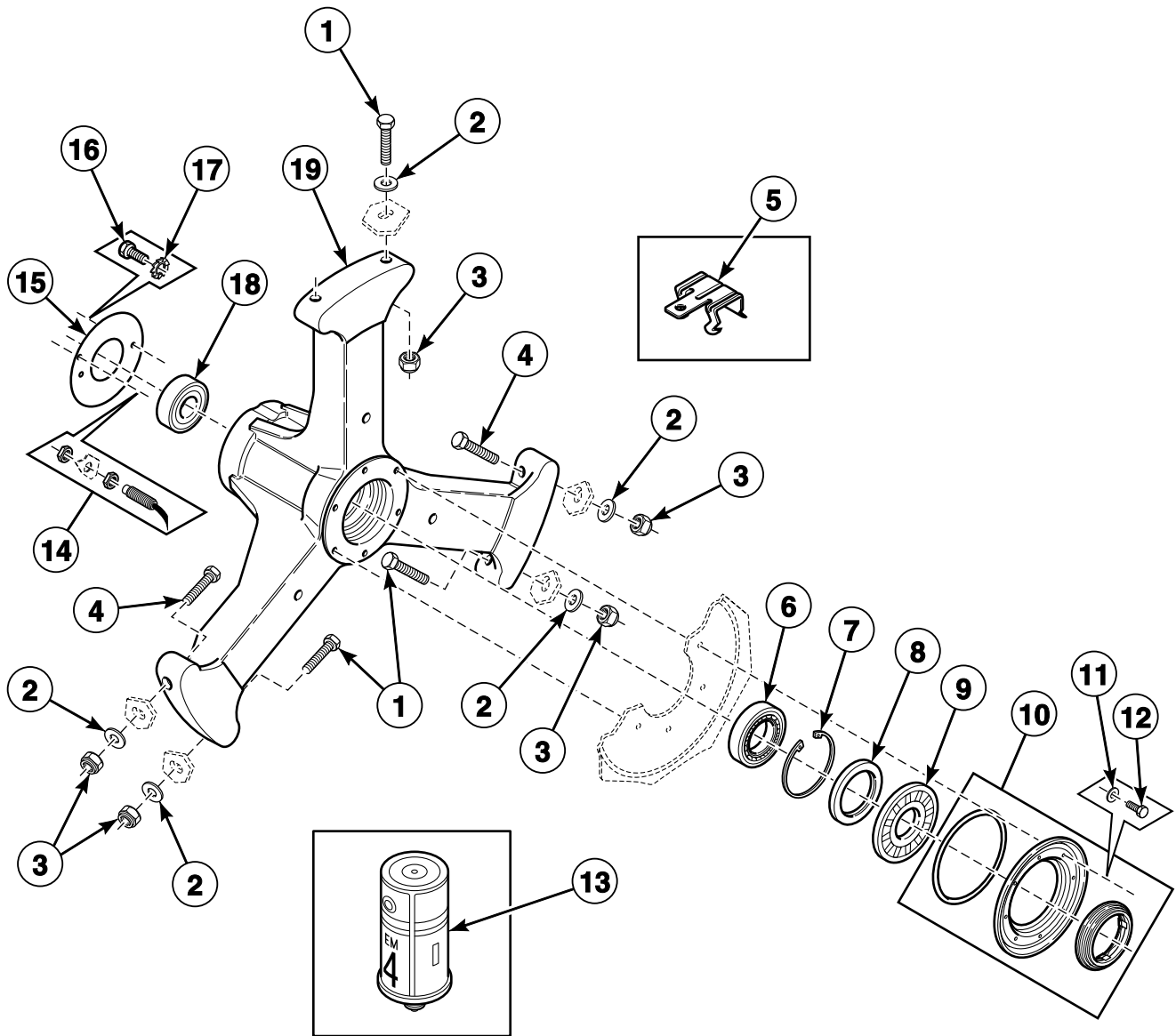


CFD626P_D1360

Bearing Assembly - *55 and *235 Models

REF	PART NO.	DESCRIPTION	COMMENTS
	3884P	Bearing and Seal Kit	Includes items 8, 10-13, 16, 219/00004/00 Counter Ring and 223/00242/00 Tub Front Gasket
	381P3	Bearing Replacement Tool Kit	
1	152/00055/00	Speed Detector Bracket	
2	210/00074/00	Speed Detector	Includes item 1
3	202/00003/00	Washer	
4	203/00004/00	Washer	
5	205/00104/00	Bolt	
6	224/00051/00	Caddy Bracket	
	224/00052/00	Caddy Bracket	
7	201/00201/00	Washer	
8	206/00014/00	Bolt	
9	212/00004/00	Ball Bearing	
10	212/00006/00	Retainer Ring	
11	B12332301	Lip Seal	
12	B12333701	Seal Plate Assembly	
13	205/00102/00	Bolt	
14	201/00102/00	Washer	
15	139/10006/00	Bearing Housing Assembly	
16	212/00037/00	Retainer Ring	
17	F100134	Bearing	
18	204/00113/00	Nut	
19	201/00001/00	Washer	
20	248/00114/00	Bolt	

Bearing Assembly - *75 and *305 Models

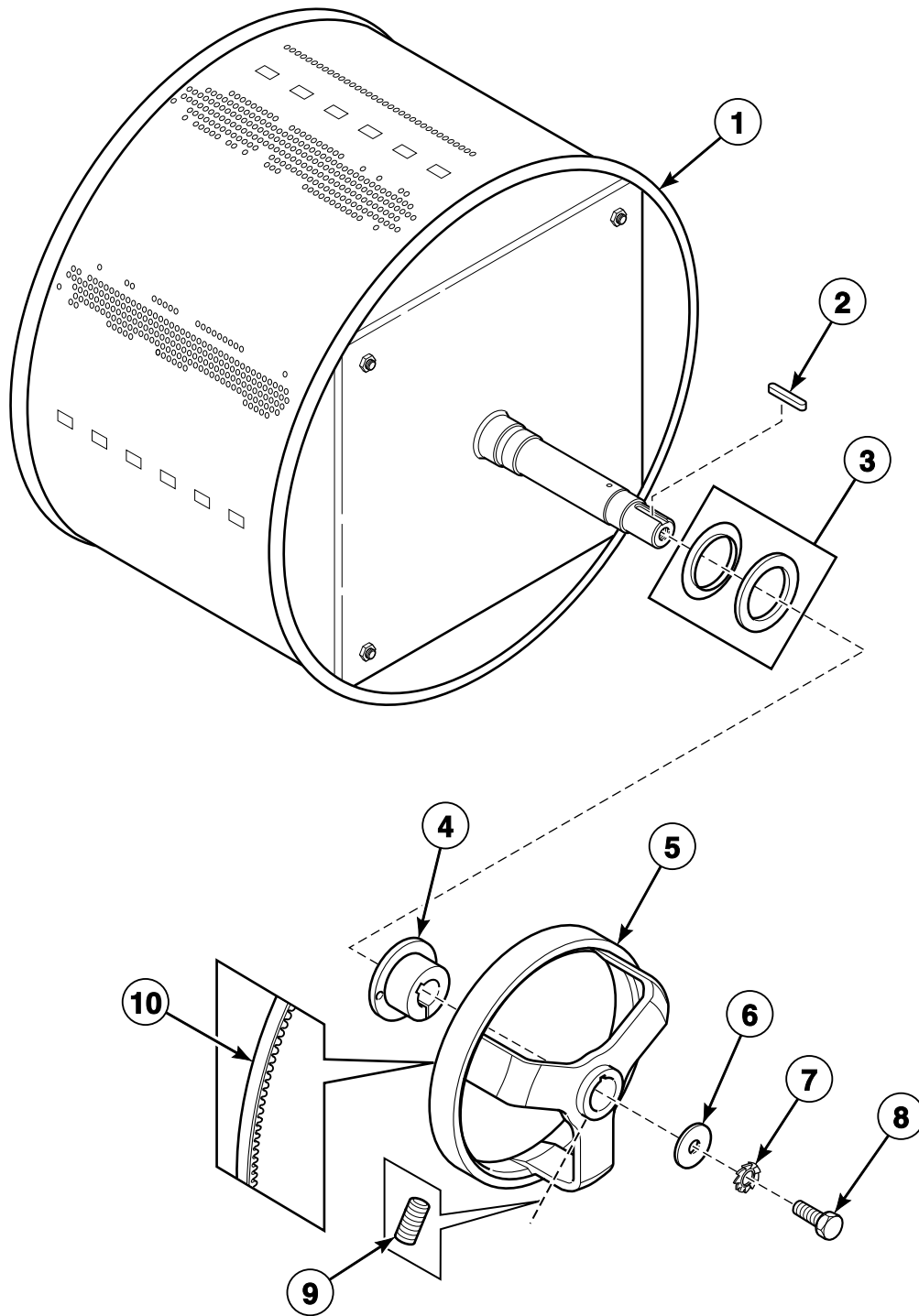


CFD627P_D1360

Bearing Assembly - *75 and *305 Models

REF	PART NO.	DESCRIPTION	COMMENTS
	892P3	Bearing Replacement Kit	Includes items 6, 9-12, 18, 219/00004/00 Counter Ring and 223/00242/00 Tub Front Gasket
	385P4	Bearing Replacement Tool Kit	
1	206/00122/00	Bolt	
2	201/00001/00	Washer	
3	204/00113/00	Nut	
4	206/00047/00	Bolt	
5	224/00052/00	Caddy Bracket	
	224/00051/00	Caddy Bracket	
6	212/00004/00	Ball Bearing	
7	212/00006/00	Retainer Ring	
8	212/00007/00	Grease Ring	
9	B12332301	Lip Seal	
10	B12333701	Seal Plate Assembly	
11	201/00102/00	Washer	
12	205/00102/00	Bolt	
13	212/00002/00	Lubricator	
14	210/00075/00	Speed Detector	Includes 152/00055/00 Speed Detector Bracket
15	112/00004/00	Bearing Housing Cover	
16	206/00010/00	Bolt	
17	203/00003/00	Washer	
18	F100134	Bearing	
19	212/00036/00	Bearing Housing Assembly	

Basket, Pulley and Belt - *55 and *235 Models

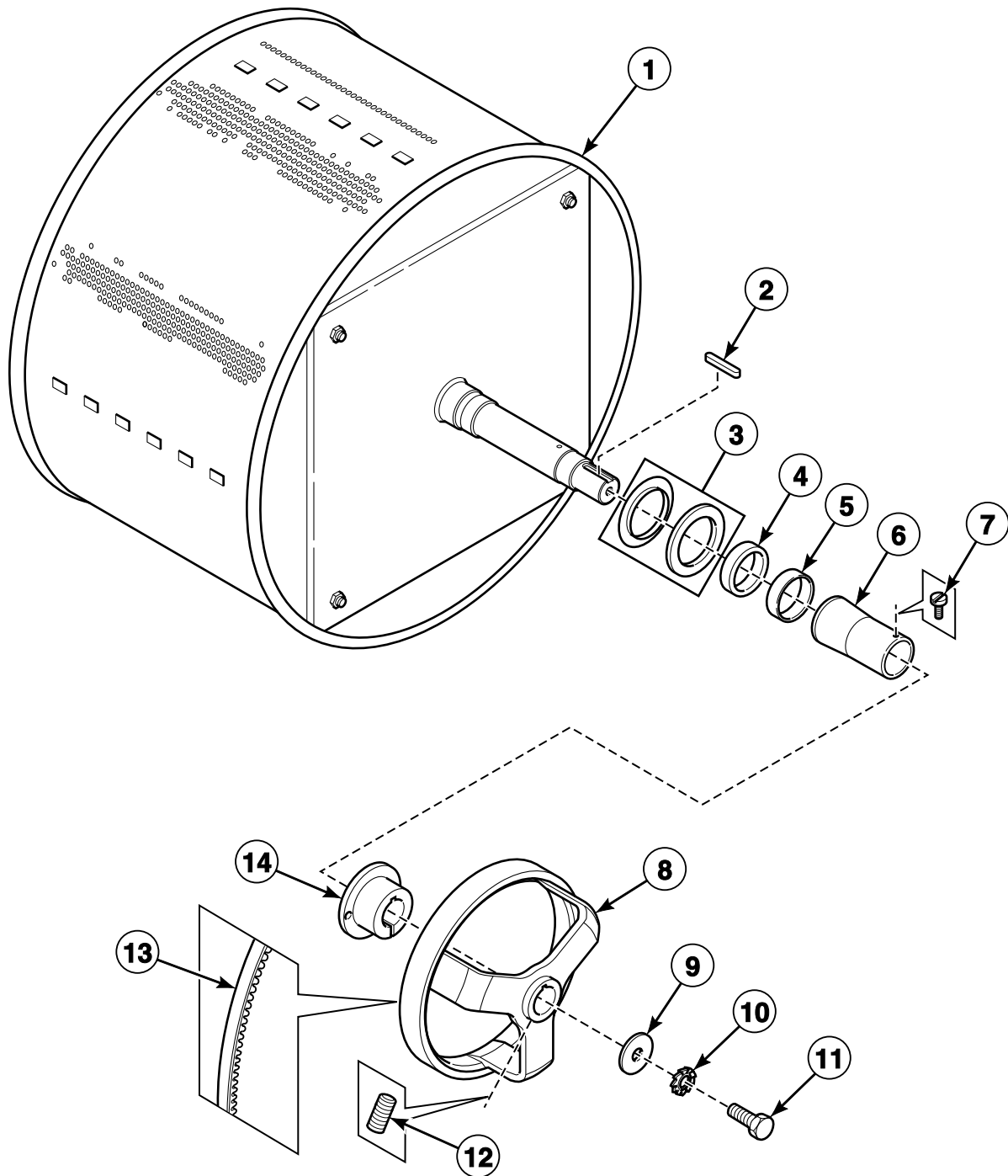


CFD637P_D1360

Basket, Pulley and Belt - *55 and *235 Models

REF	PART NO.	DESCRIPTION	COMMENTS
1	B12380901	Basket	Used with B12333701 Seal Holder Assembly; 3 mm
	B12381001	Basket	Used with B12333701 Seal Holder Assembly; 9 mm
2	212/00026/00	Key	
3	219/00004/00	Counter Ring	
4	239/00013/00	Pulley	
5	226/00148/00	Pulley	
6	201/00011/00	Washer	
7	203/00001/00	Washer	
8	206/00004/00	Bolt	
9	206/00056/00	Screw	
10	226/00149/00	Belt	

Basket, Pulley and Belt - *75 and *305 Models

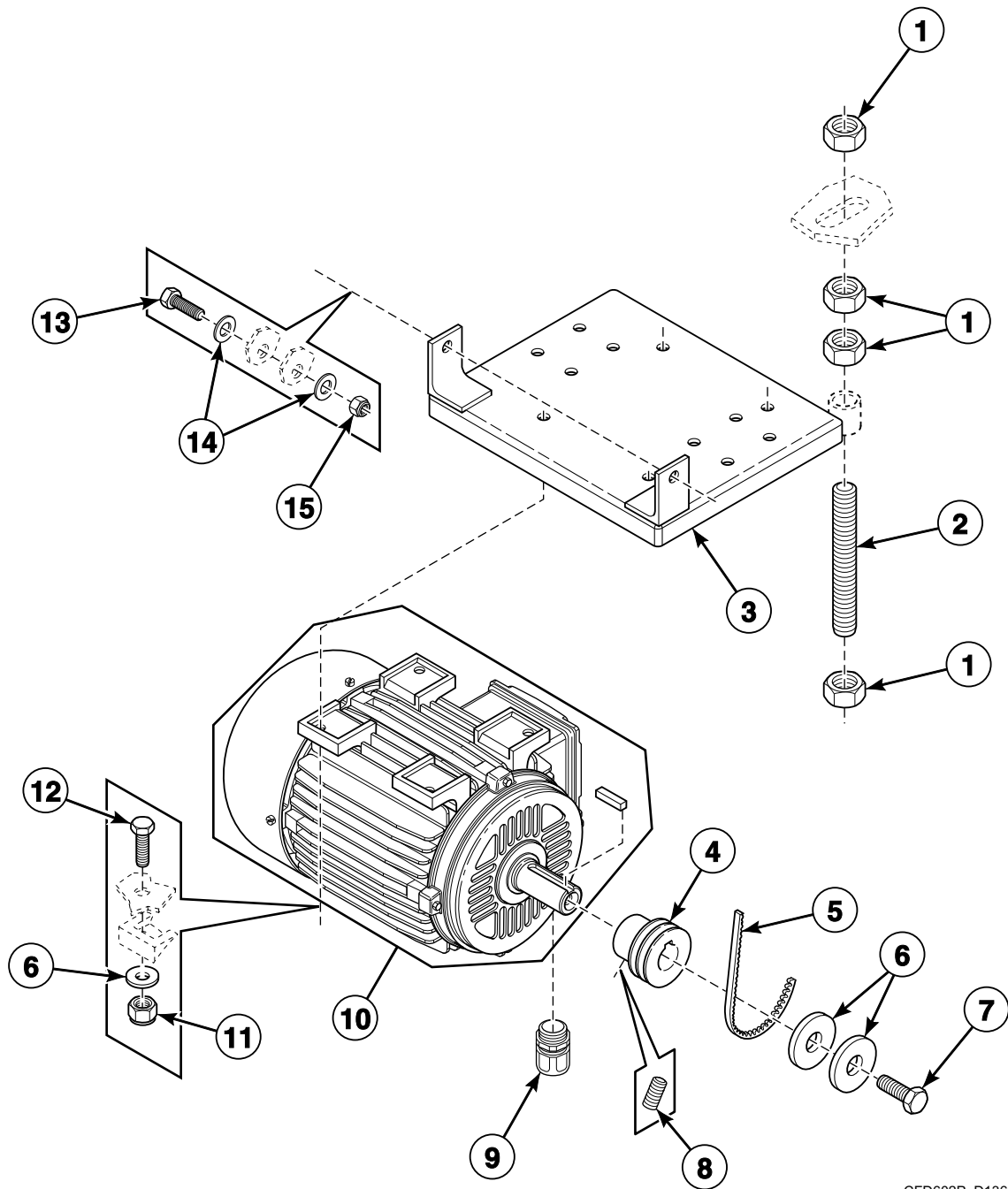


CFD449P_D1360

Basket, Pulley and Belt - *75 and *305 Models

REF	PART NO.	DESCRIPTION	COMMENTS
1	B12327301	Drum	
2	212/00026/00	Key	
3	219/00004/00	Counter Ring	
4	132/00009/00	Shaft Seal	
5	212/00005/00	Roller Bearing	
6	232/00020/00	Bearing Spacer	
7	207/00110/00	Screw	
8	226/00150/00	Pulley	
9	201/00011/00	Washer	
10	203/00001/00	Washer	
11	204/00004/00	Nut	
12	206/00056/00	Screw	
13	226/00151/00	Belt	
14	239/00013/00	Pulley	

Motor - *55 and *235 Models

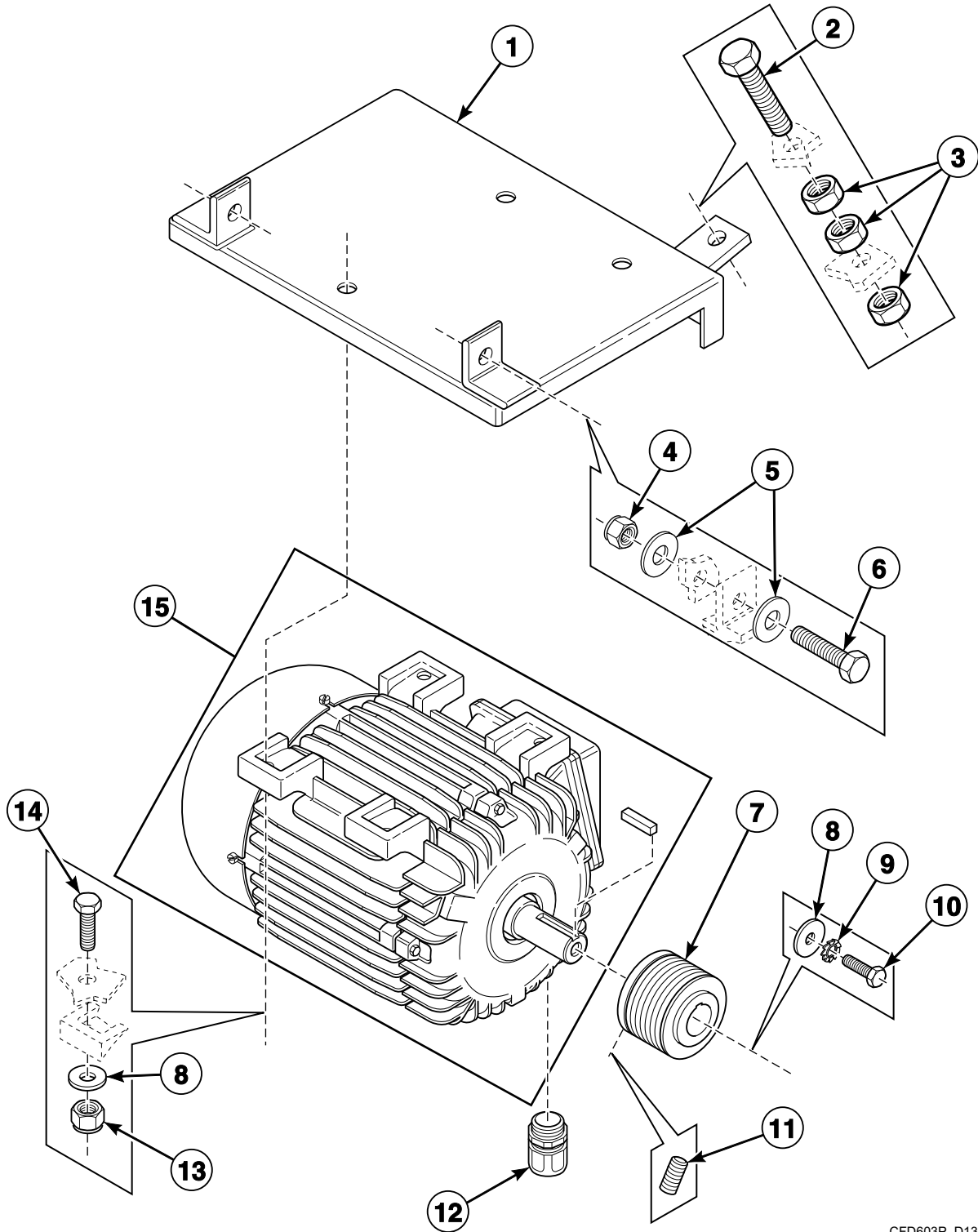


CFD602P_D1360

Motor - *55 and *235 Models

REF	PART NO.	DESCRIPTION	COMMENTS
	B12382103	Motor Harness	
1	204/00019/00	Nut	
2	B12511601	Threaded Rod	
3	115/10126/00	Motor Plate	
4	185/00086/00	Pulley	
5	226/00149/00	Belt	
6	201/00004/00	Washer	
7	206/00006/00	Bolt	
8	206/00049/00	Screw	
9	211/00183/00	Nut	
10	B12527801	Motor	3 kW; 230 or 400 Volt/50 or 60 Hertz
11	204/00111/00	Nut	
12	206/00003/00	Bolt	
13	206/00072/00	Bolt	
14	201/00002/00	Washer	
15	204/00113/00	Nut	

Motor - *75 and *305 Models

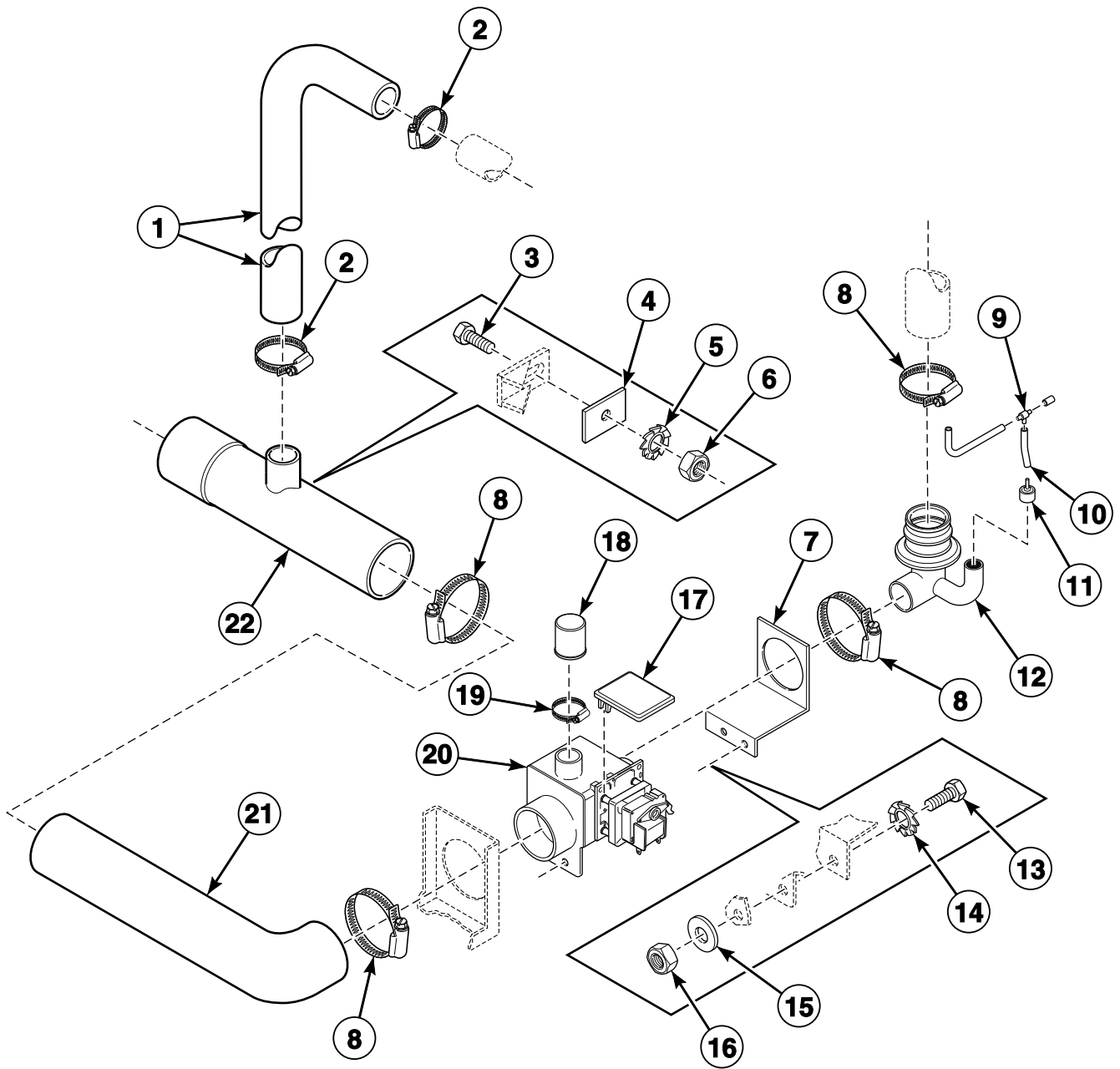


CFD603P_D1360

Motor - *75 and *305 Models

REF	PART NO.	DESCRIPTION	COMMENTS
	B12382104	Motor Harness	
1	115/10117/00	Motor Plate	
2	206/00047/00	Bolt	
3	204/00012/00	Nut	
4	204/00113/00	Nut	
5	201/00001/00	Washer	
6	206/00072/00	Bolt	
7	206/00152/00	Pulley	
8	201/00004/00	Washer	
9	203/00002/00	Washer	
10	206/00006/00	Bolt	
11	206/00056/00	Screw	
12	211/00183/00	Nut	
13	204/00111/00	Nut	
14	206/00003/00	Bolt	
15	B12510401	Motor	4 kW; 230 or 400 Volt/50 or 60 Hertz

Drain Assembly - *55 and *235 Models

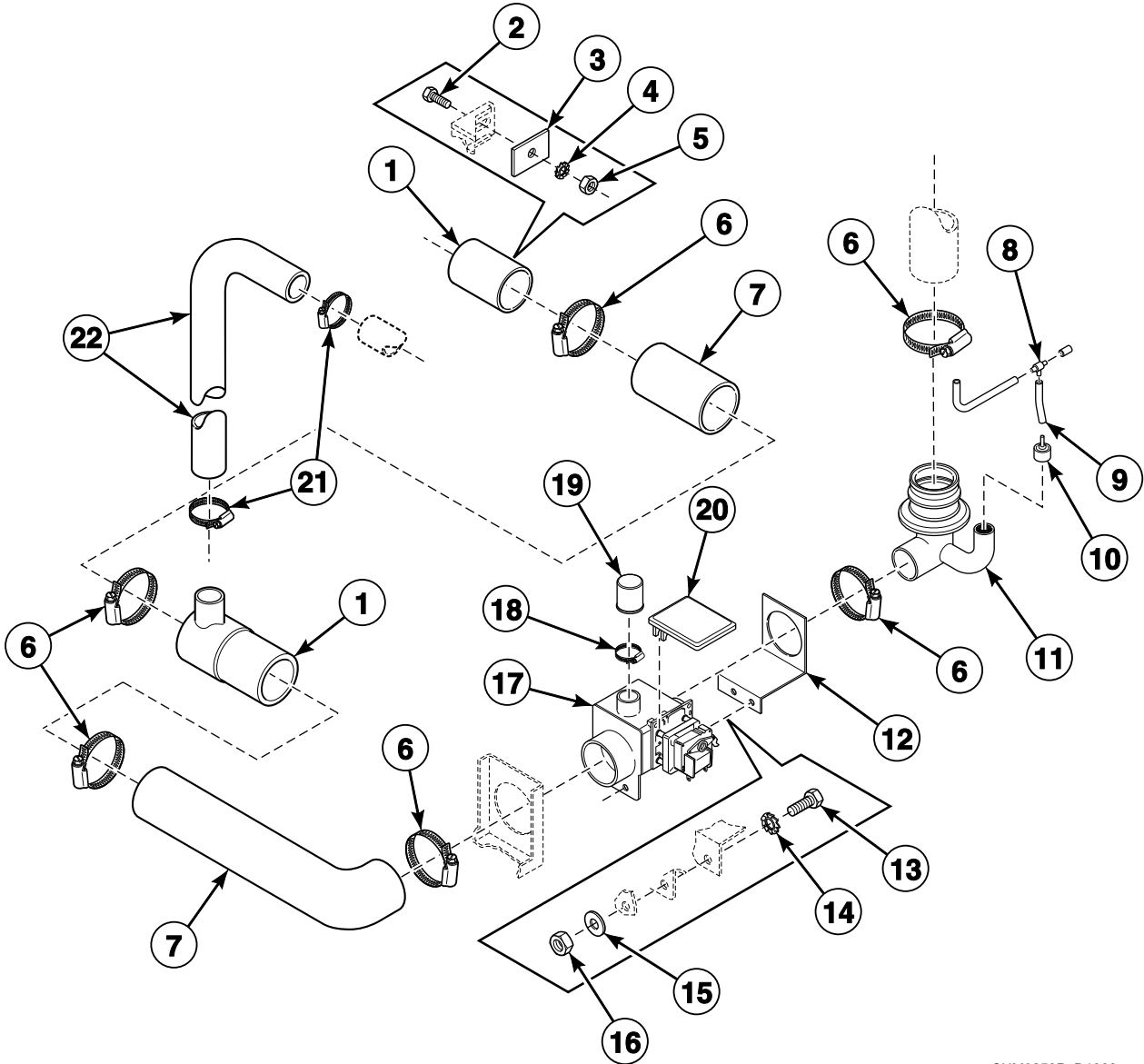


CHM3249P_D1360

Drain Assembly - *55 and *235 Models

REF	PART NO.	DESCRIPTION	COMMENTS
	B12495801	Drain Valve Fuse Harness	WE-8 models
	B12349401	Drain Valve Harness	
1	223/00131/00	Overflow Hose	
2	223/00013/00	Hose Clamp	
3	205/00103/00	Bolt	
4	101/00007/00	Outlet Pipe Plate Assembly	
5	203/00004/00	Washer	
6	204/00106/00	Nut	
7	114/00010/00	Drain Valve Plate Assembly	
8	223/00071/00	Hose Clamp	
9	223/00173/10	Pressure Switch Hose Tee	
10	223/00333/00	Pressure Hose	
11	223/00035/02	Pressure Switch Cap	
12	B12403101	Drain Tub to Drain Valve Hose	
13	206/00009/00	Bolt	
14	203/00003/00	Washer	
15	202/00002/00	Washer	
16	204/00004/00	Nut	
17	223/00225/00	Drain Valve Cover	
18	223/00086/00	Drain Valve Overflow Plug	
19	223/00012/00	Hose Clamp	
20	209/00075/00	Drain Valve	
21	223/00328/00	Drain Valve to Drain Tube Hose	
22	223/00106/00	Drain Pipe	

Drain Assembly - *75 and *305 Models

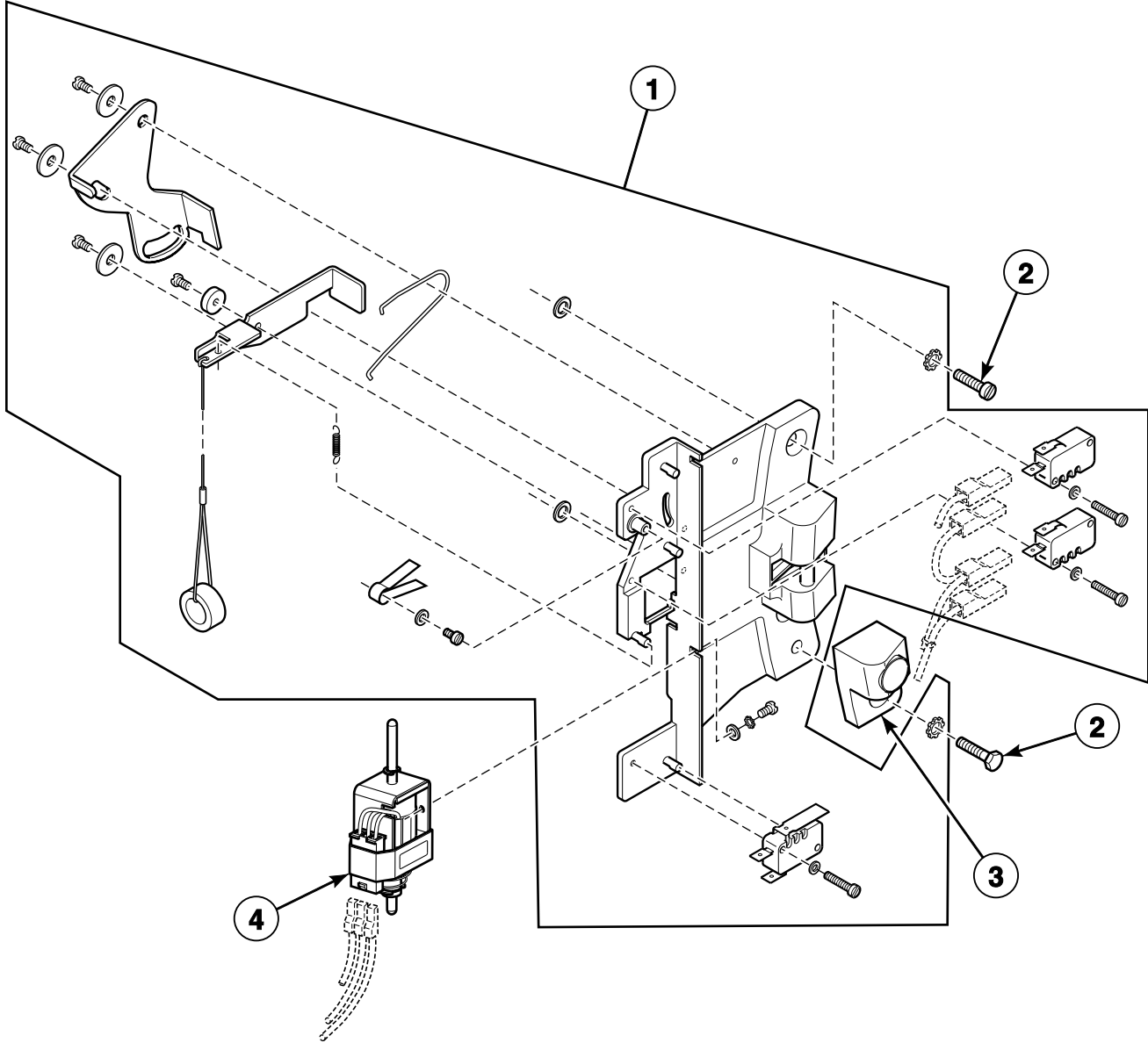


CHM3250P_D1360

Drain Assembly - *75 and *305 Models

REF	PART NO.	DESCRIPTION	COMMENTS
	B12495801	Drain Valve Fuse Harness	WE-8 models
	B12349401	Drain Valve Harness	
1	223/00106/00	Drain Pipe	
2	205/00103/00	Bolt	
3	101/00007/00	Outlet Pipe Plate Assembly	
4	203/00004/00	Washer	
5	204/00106/00	Nut	
6	223/00071/00	Hose Clamp	
7	223/00328/00	Drain Valve to Drain Tube Hose	
8	223/00173/00	Pressure Switch Hose Tee	
9	223/00333/00	Pressure Hose	
10	223/00035/02	Pressure Switch Cap	
11	B12403101	Drain Tub to Drain Valve Hose	
12	114/00010/00	Drain Valve Plate Assembly	
13	206/00009/00	Bolt	
14	203/00003/00	Washer	
15	202/00002/00	Washer	
16	204/00004/00	Nut	
17	209/00075/00	Drain Valve	
18	223/00012/00	Hose Clamp	
19	223/00086/00	Drain Valve Overflow Plug	
20	223/00225/00	Drain Valve Cover	
21	223/00013/00	Hose Clamp	
22	223/00131/00	Overflow Hose	

Door Lock

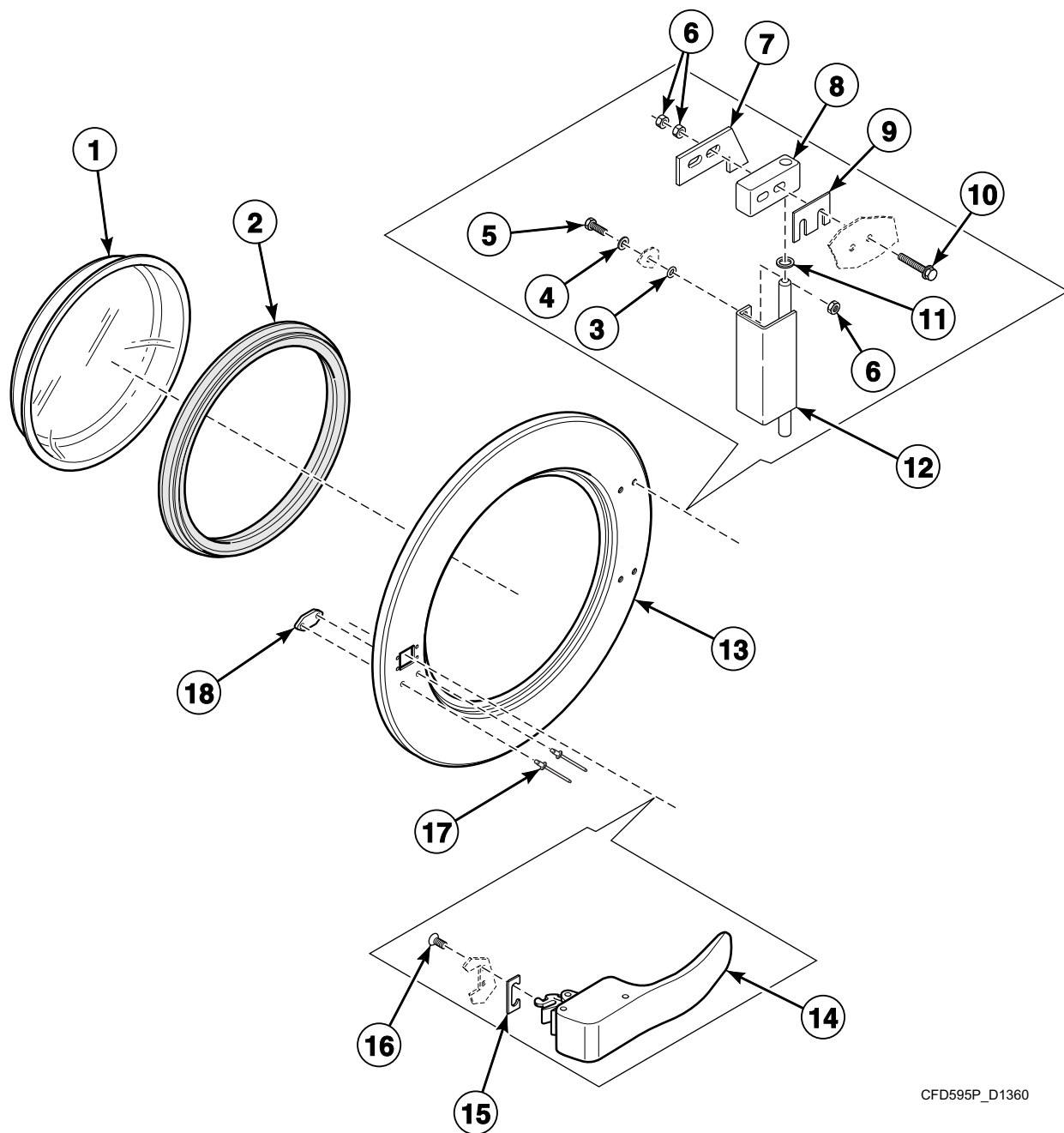


CHM3240P_D1360

Door Lock

REF	PART NO.	DESCRIPTION	COMMENTS
	B12495002	Door Lock Harness	WE-8 models
	B12495001	Door Lock Harness	All other models
1	B12403001	Door Lock Assembly	
2	207/00102/00	Screw	
3	B12517601	Reed Switch Holder	Includes F8080405 Reed Switch Harness and B12502001 Reed Switch
4	B12495101	Door Solenoid	

Door

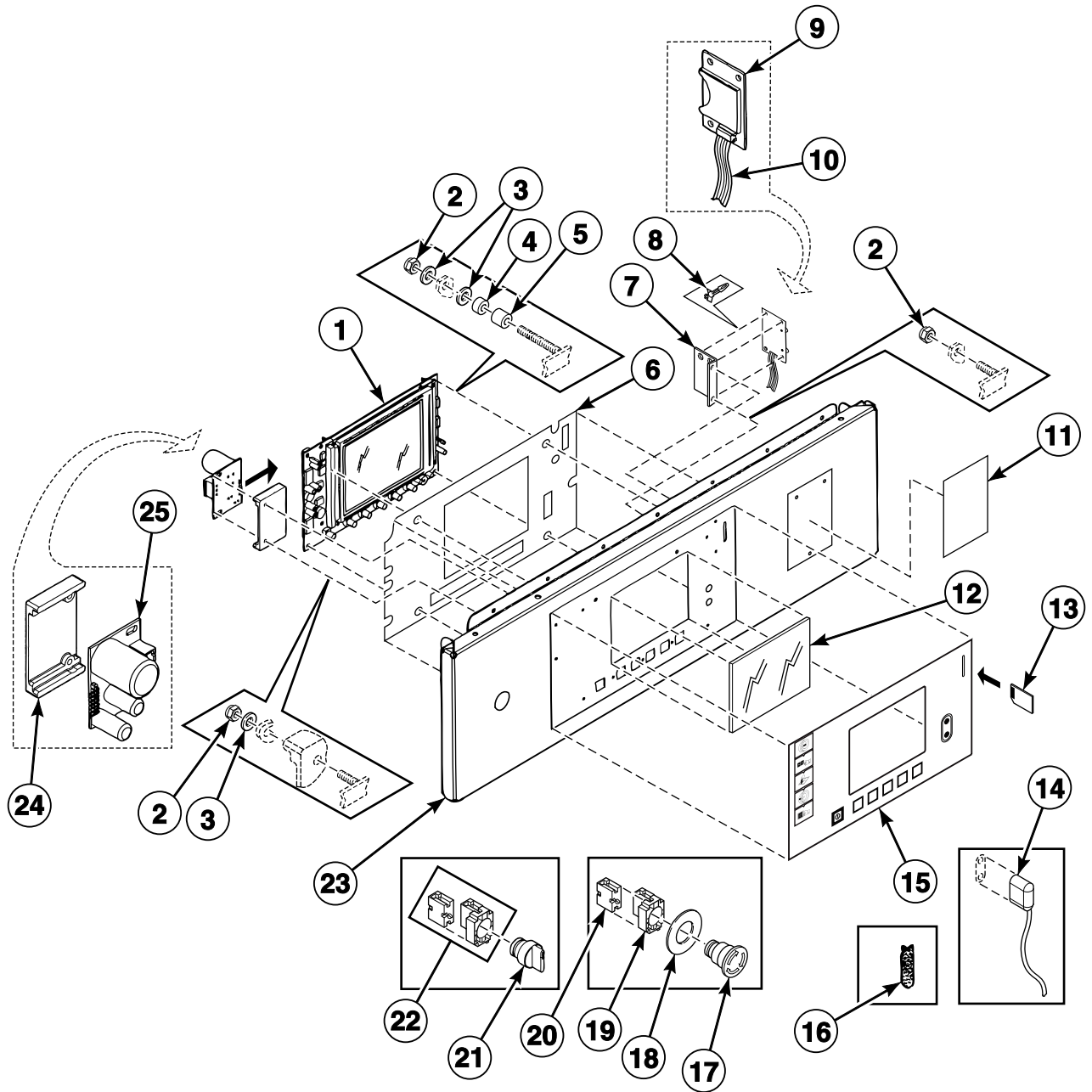


CFD595P_D1360

Door

REF	PART NO.	DESCRIPTION	COMMENTS
1	B12449801	Door Glass	
2	223/00068/00	Door Glass Seal	
3	217/00021/00	O-Ring	
4	202/00101/00	Washer	
5	205/00104/00	Bolt	
6	204/00106/00	Nut	
7	118/00126/00	Door Stop	
8	253/00022/00	Door Hinge Block	
9	118/00122/00	Door Hinge Spacer	1.5 mm
	118/00124/00	Door Hinge Spacer	2 mm
10	207/00126/00	Screw	
11	202/00104/00	Washer	
12	221/00004/00	Hinge	Fixed part
13	B12337201	Door Frame	
14	217/00059/00	Door Handle	
15	217/00016/00	Door Handle Stop	
16	B12500801	Screw	
17	B12500301	Rivet	
18	B12389701	Magnet	

Control Panel - Cygnus Professional

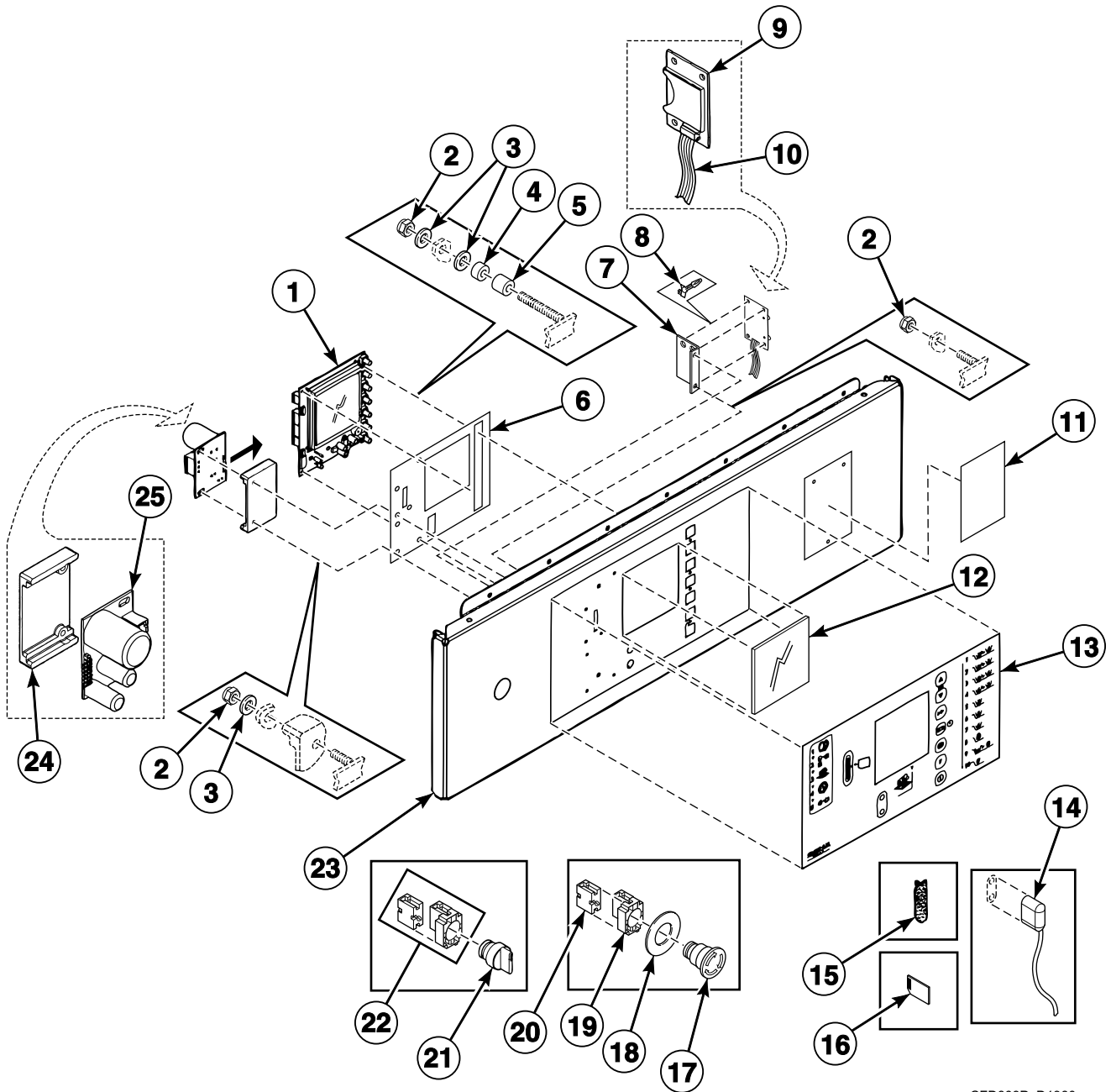


CFD608P_D1360

Control Panel - Cygnus Professional

REF	PART NO.	DESCRIPTION	COMMENTS
	B12348901	E-Stop Harness	
1	209/02002/ZB2	Display PC-Board	
2	204/00116/00	Nut	
3	223/00123/00	Washer	
4	211/00128/00	Printboard Separator	
5	211/00122/00	Standoff	
6	229/00268/00	Insulating Sticker	
7	111/01893/00	Printboard Support Card	Optional
8	211/00145/00	Standoff	
9	B12305201	Memory Card PC-Board	Optional
10	B12538301	Data Card Ribbon Assembly	Optional
11	B12389801	Nameplate	Models HD235_CYGNUS-PRO, HD305_CYGNUS-PRO, IXG235Z, IXG305Z, IXN235Z, IXN305Z, IXU235Z, IXU305Z, IXW235Z, IXW305Z, IXZ235Z, IXZ305Z, JXW235Z and JXW305Z
	B12389802	Overlay	Models CXG235Z, CXG305Z, CXN235Z, CXN305Z, CXU235Z, CXU305Z, CXW235Z, CXW305Z, CXZ235Z and CXZ305Z
	B12389804	Overlay	Models JXW235Z and JXW305Z
12	225/00321/00	Plexi Frame	
13	209/02024/00	Datacard	
14	210/00902/00P	Infrared Cable	
15	B12383601	Operating Sticker	Without datacard opening
	B12383701	Operating Sticker	With datacard opening
16	223/00348/00	Datacard Cover	
17	209/00248/20	Mushroom Pushbutton	
18	209/00520/00	Telem Sticker	
19	B12491801	Contact Harness	
20	209/00099/26	Contact Switch	
21	209/00099/29	Switch Knob	Dual heat
	B12523901	Dual Heat Sticker	Dual heat
22	B12491701	Contact Harness	Dual heat
23	B12384101	Operating Panel	
24	223/00374/00	Mounting Plate	
25	B12388201	Door Lock PC-Board	

Control Panel - Cygnus Premium OPL and Ultra

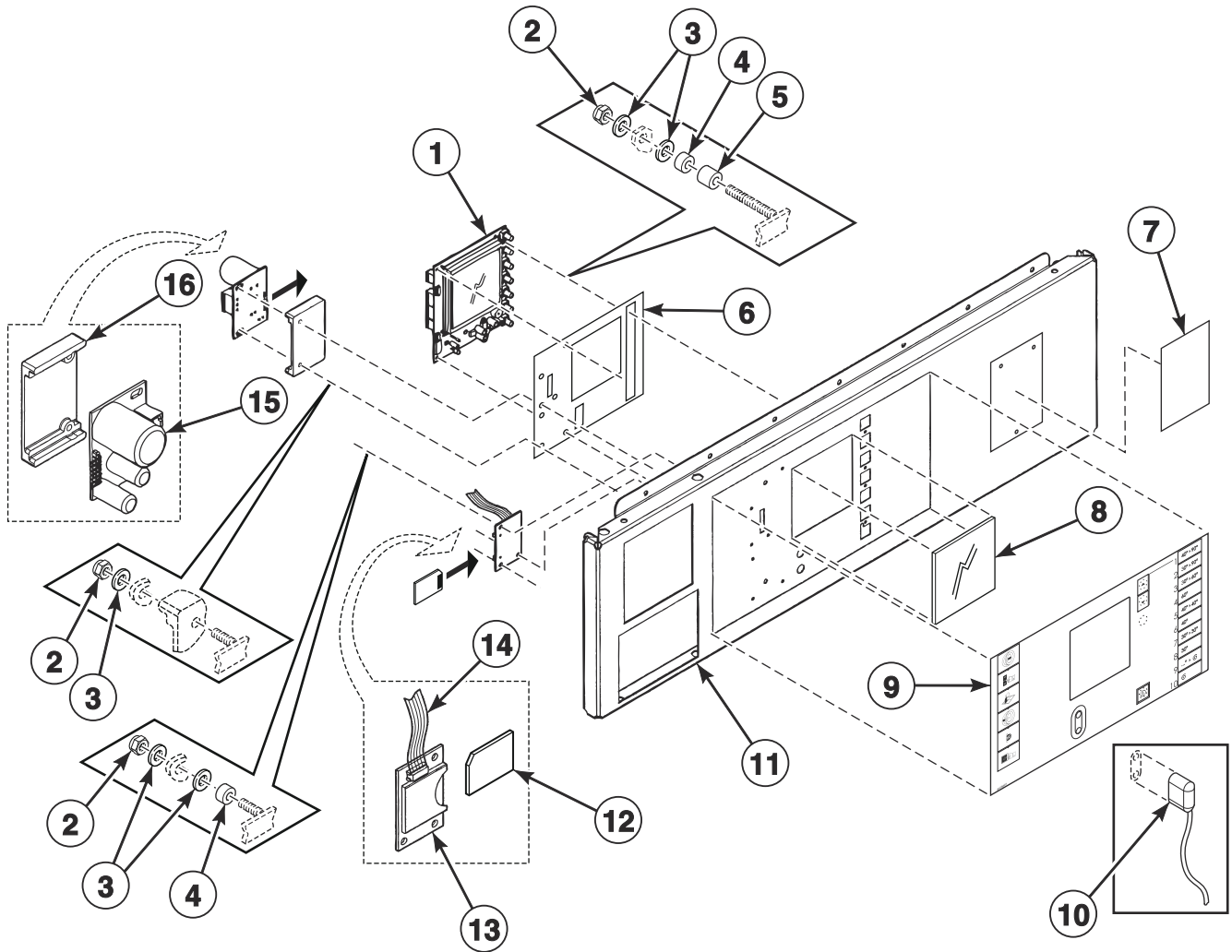


CFD609P_D1360

Control Panel - Cygnus Premium OPL and Ultra

REF	PART NO.	DESCRIPTION	COMMENTS
	B12348901	E-Stop Harness	
1	209/02015/02	Printboard	
2	204/00116/00	Nut	
3	223/00123/00	Washer	
4	211/00128/00	Printboard Separator	
5	211/00122/00	Standoff	
6	229/00291/00	Insulating Sticker	
7	111/01893/00	Printboard Support Card	Optional
8	211/00145/00	Standoff	
9	B12305201	Memory Card PC-Board	Optional
10	B12538301	Data Card Ribbon Assembly	Optional
11	B12389801	Nameplate	Models HD235_CYGNUS-PREM, HD305_CYGNUS-PREM, IS055_CYGNUS-ULTRA, IS075_CYGNUS-ULTRA, IXG235Y, IXG305Y, IXN235U, IXN235Y, IXN305U, IXN305Y, IXU235Y, IXU305Y, IXW235Y, IXW305Y, IXZ235Y and IXZ305Y
	B12389802	Overlay	Models CS055_CYGNUS-ULTRA, CS075_CYGNUS-ULTRA, CXN235U and CXN305U
	B12389804	Overlay	Models JXW235Y and JXW305Y
	B12389805	Overlay	Models PXU235Y and PXU305Y
12	225/00323/00	Plexi Frame	
13	B12456701	Operating Sticker	Cygnus Ultra models
	B12383401	Operating Sticker	Cygnus Premium OPL models with datacard opening
	B12383301	Operating Sticker	Cygnus Premium OPL models without datacard opening
14	210/00902/00P	Infrared Cable	
15	223/00348/00	Datacard Cover	Cygnus Premium OPL models
16	209/02024/00	Datacard	Cygnus Premium OPL models
17	209/00248/20	Mushroom Pushbutton	
18	209/00520/00	Telem Sticker	
19	B12491801	Contact Harness	
20	209/00099/26	Contact Switch	
21	209/00099/29	Switch Knob	Dual heat
	B12523901	Dual Heat Sticker	Dual heat
22	B12491701	Contact Harness	Dual heat
23	B12384201	Operating Panel	
24	223/00374/00	Mounting Plate	
25	B12388201	Door Lock PC-Board	

Control Panel - Cygnus Premium Coin

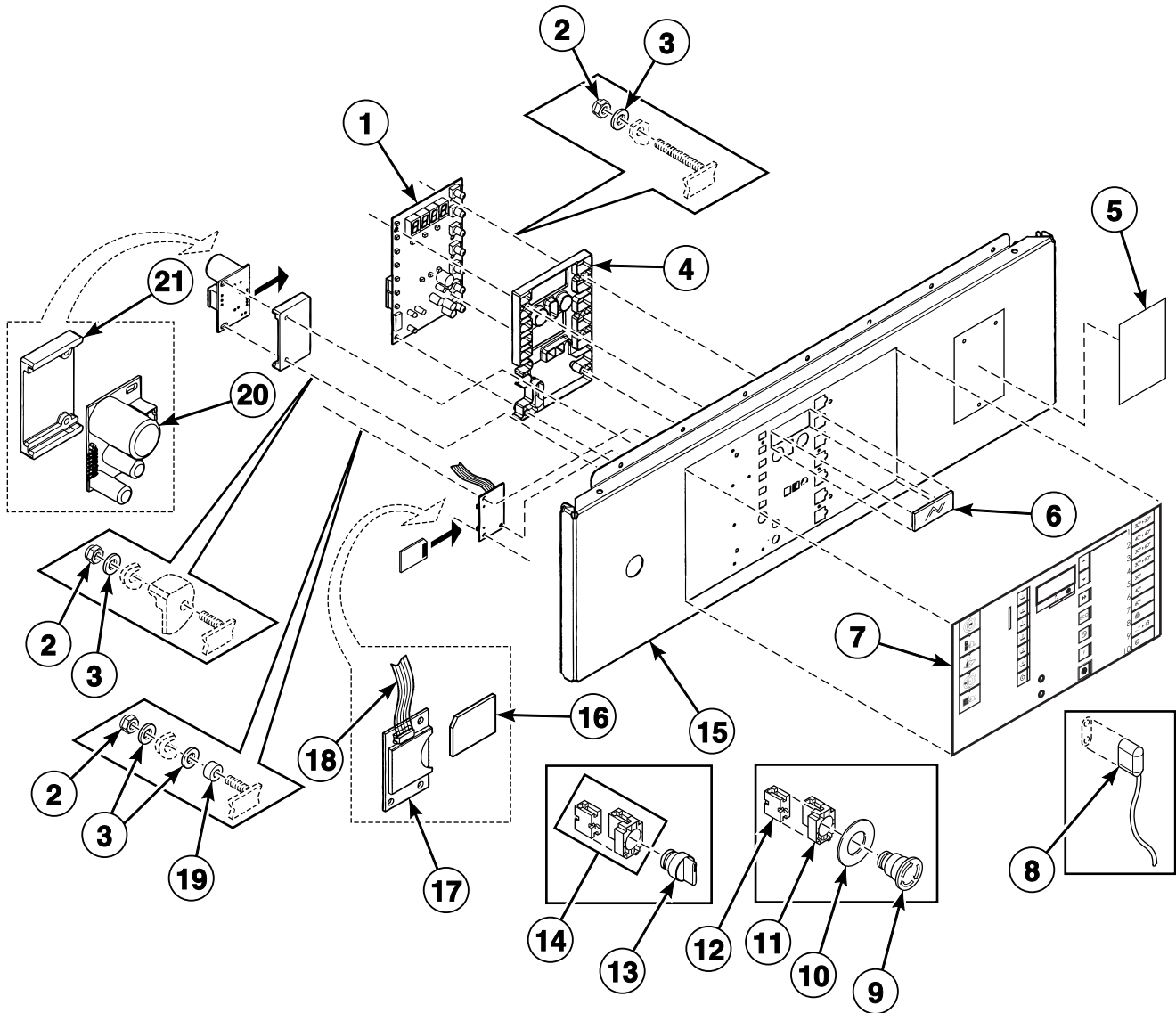


CFD621P_D1360

Control Panel - Cygnus Premium Coin

REF	PART NO.	DESCRIPTION	COMMENTS
	B12349001	E-Stop Bypass Harness	
1	209/02015/02	Printboard	
2	204/00116/00	Nut	
3	223/00123/00	Washer	
4	211/00128/00	Printboard Separator	
5	211/00122/00	Standoff	
6	229/00291/00	Insulating Sticker	
7	B12389801	Nameplate	Models HD235_CYGNUS-PREM, HD305_CYGNUS-PREM, IXG235Y, IXG305Y, IXN235Y, IXN305Y, IXU235Y, IXU305Y, IXW235Y, IXW305Y, IXZ235Y and IXZ305Y
	B12389804	Overlay	Models JXW235Y and JXW305Y
	B12389805	Overlay	Models PXU235Y and PXU305Y
8	225/00323/00	Plexi Frame	
9	B12383501	Operating Sticker	
10	210/00902/00P	Infrared Cable	
11	B12384201	Operating Panel	
12	209/02024/00	Datacard	
13	B12305201	Memory Card PC-Board	
14	B12538301	Data Card Ribbon Assembly	
15	B12388201	Door Lock PC-Board	
16	223/00374/00	Mounting Plate	

Control Panel - Cygnus Standard/Commercial OPL

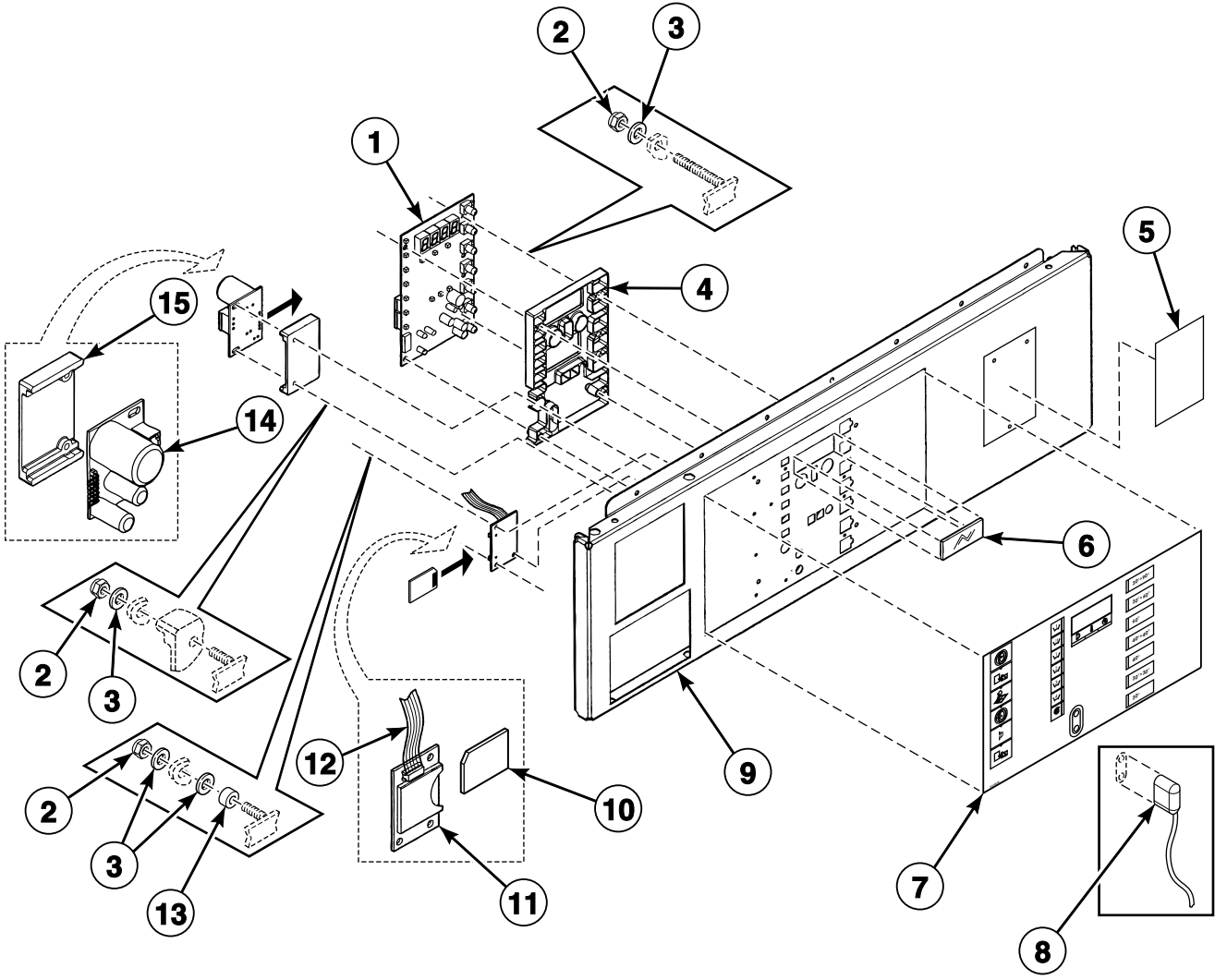


CFD613P_D1360

Control Panel - Cygnus Standard/Commercial OPL

REF	PART NO.	DESCRIPTION	COMMENTS
	B12348901	E-Stop Harness	
1	209/02001/02	Printboard	
2	204/00116/00	Nut	
3	223/00123/00	Washer	
4	223/00330/00	Protection LED	
5	B12389801	Nameplate	Models HD235_CYGNUS-COMM, HD235_CYGNUS-STANDARD, HD305_CYGNUS-COMM, HD305_CYGNUS-STANDARD, IXG235C, IXG235X, IXG305C, IXG305X, IXN235C, IXN235X, IXN305C, IXN305X, IXU235C, IXU235X, IXU305C, IXU305X, IXW235C, IXW235X, IXW305C, IXW305X, IXZ235C, IXZ235X, IXZ305C and IXZ305X
	B12389802	Overlay	Models CXG235X, CXG305X, CXN305X, CXU235X, CXU305X, CXW235X, CXW305X, CXZ235X and CXZ305X
	B12389803	Overlay	Models DXU235X and DXU305X
	B12389804	Overlay	Models JXW235X and JXW305X
	B12389810	Overlay	Models WXU235C and WXU305C
6	225/00322/00	Plexi Frame	
7	B12382701	Operating Sticker	Cygnus Standard OPL models without datacard opening
	B12382801	Operating Sticker	Cygnus Standard OPL models with datacard opening
	B12383001	Operating Sticker	Cygnus Commercial OPL models without datacard opening
	B12383101	Operating Sticker	Cygnus Commercial OPL models with datacard opening
8	210/00902/00P	Infrared Cable	
9	209/00248/20	Mushroom Pushbutton	
10	209/00520/00	Telem Sticker	
11	B12491801	Contact Harness	
12	209/00099/26	Contact Switch	
13	209/00099/29	Switch Knob	Dual heat
	B12523901	Dual Heat Sticker	Dual heat
14	B12491701	Contact Harness	Dual heat
15	B12385601	Operating Panel	
16	209/02024/00	Datacard	Optional
17	B12305201	Memory Card PC-Board	Optional
18	B12538301	Data Card Ribbon Assembly	Optional
19	211/00128/00	Printboard Separator	
20	B12388201	Door Lock PC-Board	
21	223/00374/00	Mounting Plate	

Control Panel - Cygnus Standard/Commercial Coin

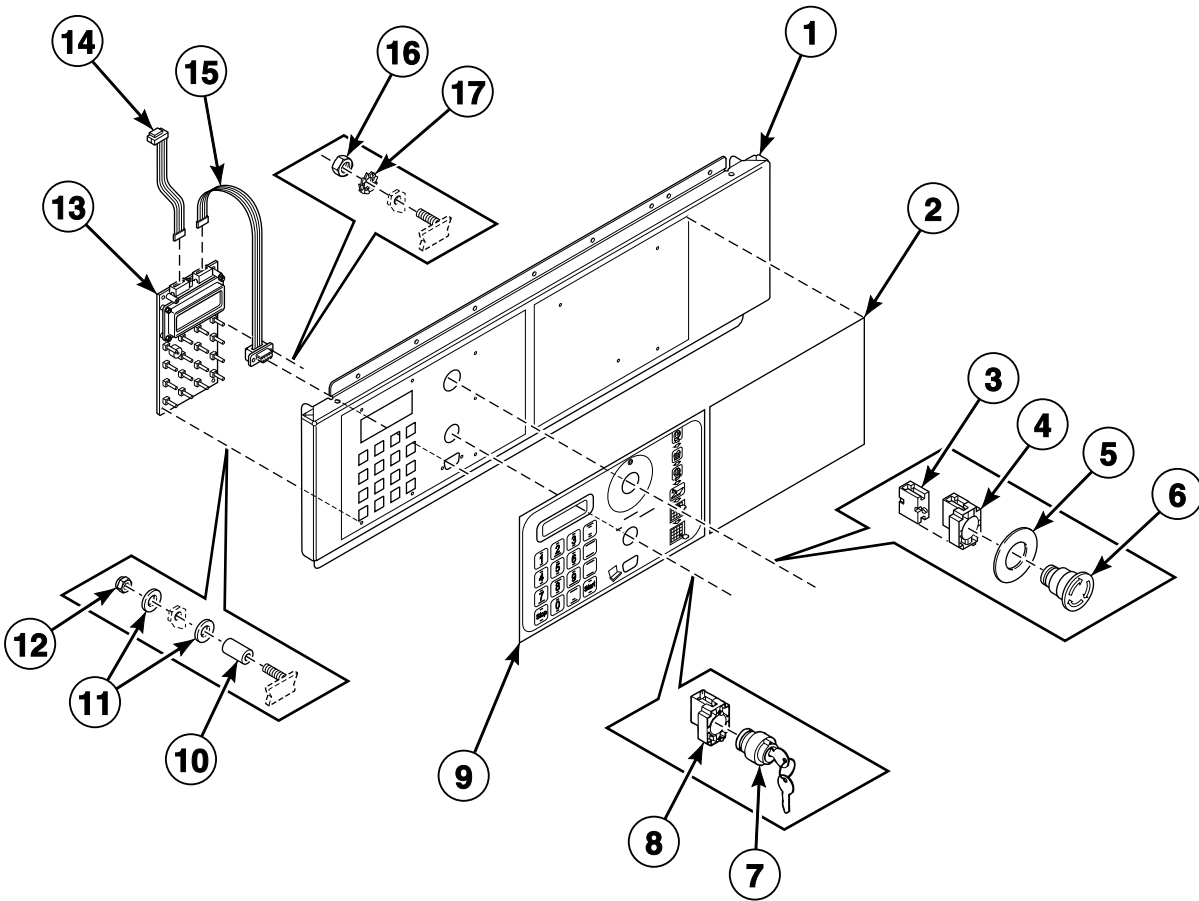


CFD611P_D1360

Control Panel - Cygnus Standard/Commercial Coin

REF	PART NO.	DESCRIPTION	COMMENTS
	B12349001	E-Stop Bypass Harness	
1	209/02001/02	Printboard	
2	204/00116/00	Nut	
3	223/00123/00	Washer	
4	223/00330/00	Protection LED	
5	B12389801	Nameplate	Models HD235_CYGNUS-COMM, HD235_CYGNUS-STANDARD, HD305_CYGNUS-COMM, HD305_CYGNUS-STANDARD, IXG235C, IXG235X, IXG305C, IXG305X, IXN235C, IXN235X, IXN305C, IXN305X, IXU235C, IXU235X, IXU305C, IXU305X, IXW235C, IXW235X, IXW305C, IXW305X, IXZ235C, IXZ235X, IXZ305C and IXZ305X
	B12389802	Overlay	Models CXG235X, CXG305X, CXN305X, CXU235X, CXU305X, CXW235X, CXW305X, CXZ235X and CXZ305X
	B12389803	Overlay	Models DXU235X and DXU305X
	B12389804	Overlay	Models JW235X and JW305X
	B12389810	Overlay	Models WXU235C and WXU305C
6	225/00322/00	Plexi Frame	
7	B12382901	Operating Sticker	Cygnus Standard coin models
	B12383201	Operating Sticker	Cygnus Commercial coin models
8	210/00902/00P	Infrared Cable	
9	B12385601	Operating Panel	
10	209/02024/00	Datacard	
11	B12305201	Memory Card PC-Board	
12	B12538301	Data Card Ribbon Assembly	
13	211/00128/00	Printboard Separator	
14	B12388201	Door Lock PC-Board	
15	223/00374/00	Mounting Plate	

Control Panel - WE-8



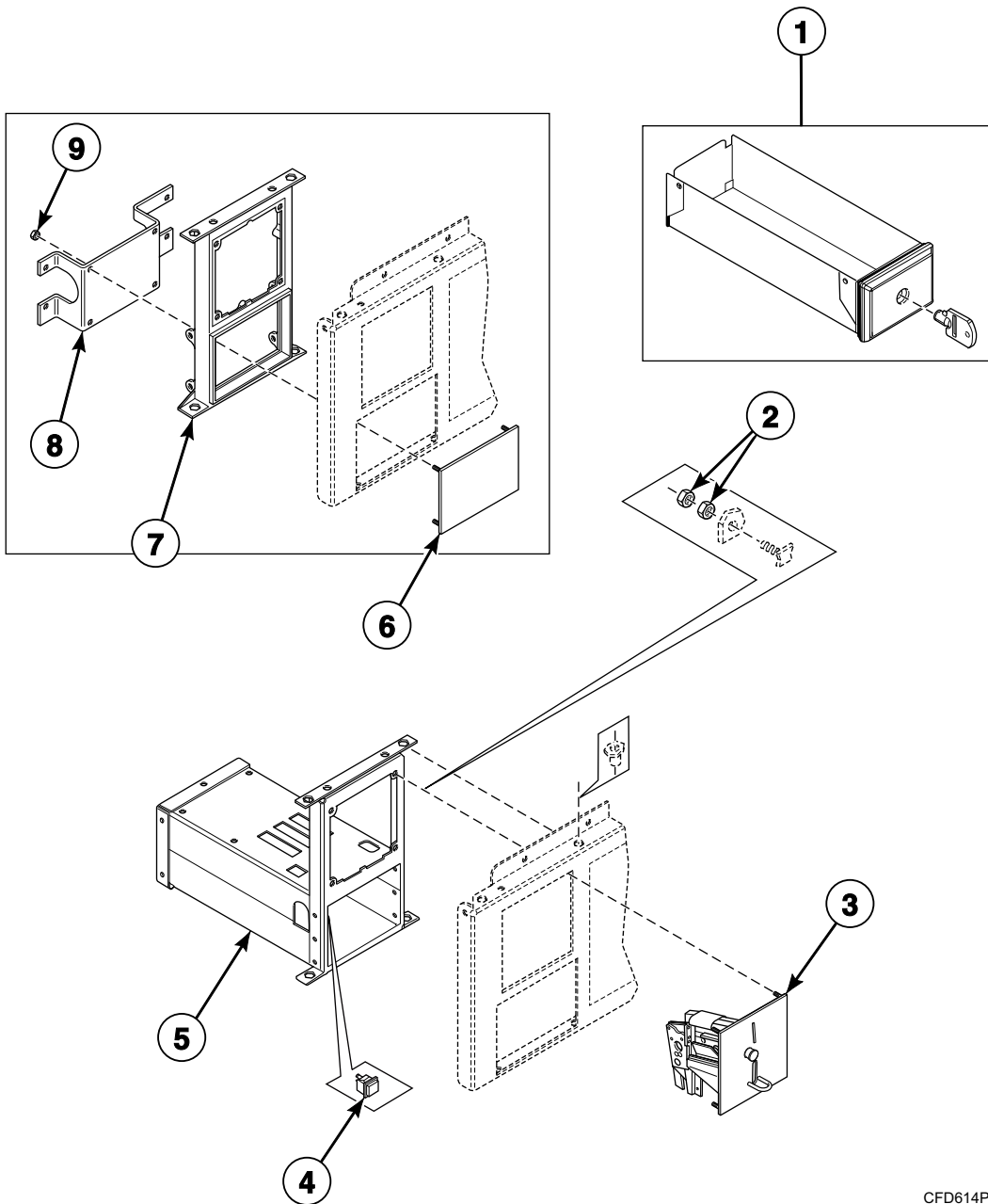
CFD636P_D1360

Control Panel - WE-8

REF	PART NO.	DESCRIPTION	COMMENTS
	B12348902	E-Stop Harness	
	B12348903	E-Stop Drive Harness	
	B12495501	Key Switch Harness	
	B12388302	Ribbon Assembly	
1	B12436401	Operating Panel	Models HX55, HXN235P, SX55, SXN235P, UX55 and UXN235P
	B12436501	Operating Panel	Models HX75, HXN305P, SX75, SXN305P, UX75 and UXN305P
2	F8435601	Overlay	Models UX55, UX75, UXN235P and UXN305P
	9001563	Overlay	Models SX55, SX75, SXN235P and SXN305P
	9001890	Logo Decal	Models HX55, HX75, HXN235P and HXN305P
3	209/00099/26	Contact Switch	
4	B12491801	Contact Harness	
5	209/00520/00	Telem Sticker	
6	209/00248/00	Mushroom Pushbutton	
7	209/00326/20	Programming Key Contact Switch	
8	B12491701	Contact Harness	
9	225/00388/00	Overlay	Control
10	211/00140/00	Spacer	
11	223/00123/00	Washer	
12	204/00116/00	Nut	
13	209/00580/03	Display	
14	B12388302	Ribbon Assembly	
15	B12388305	Ribbon Assembly	
16	204/00008/00	Nut	
17	203/00007/00	Washer	

Coin Drop - Mechanical Coin Meter

Cygnus Commercial, Premium and Standard Models



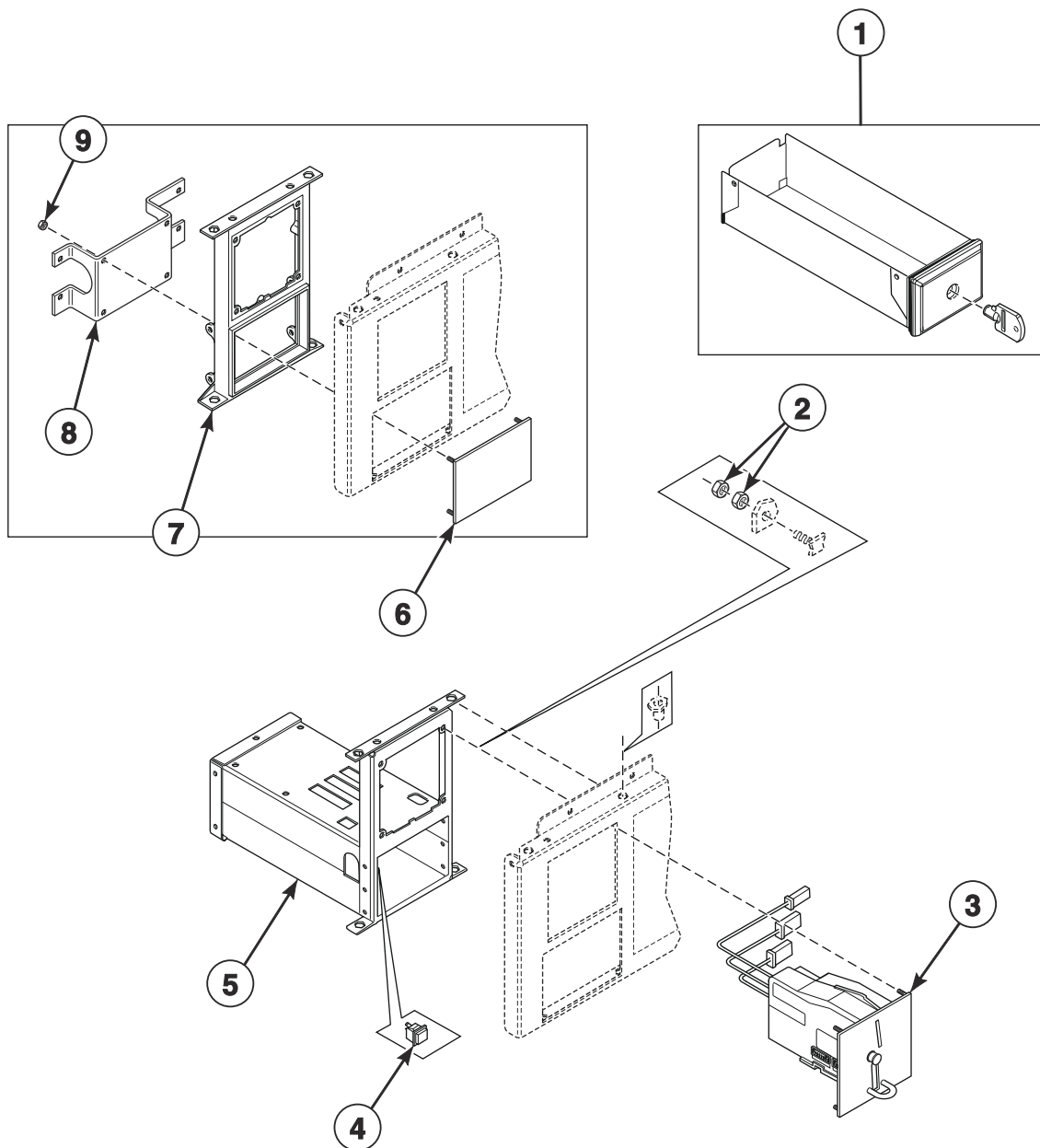
CFD614P_D1360

Coin Drop - Mechanical Coin Meter

REF	PART NO.	DESCRIPTION	COMMENTS
	B12309901	Wire Harness Assembly	Single/dual drop
	B12310001	Wire Harness Assembly	Dual drop
1	254/00077/00	Coin Box	
	254/00077/02	Key	
2	204/00116/00	Nut	
3	B12311224	Coin Drop	Mechanical; Jeton 5K
	B12311206	Coin Drop	Mechanical; Jeton 7K
	B12311201	Coin Drop	Mechanical; Jeton 10K
	B12311210	Coin Drop	Mechanical; Jeton 12K
	B12311252	Coin Drop	Mechanical; Jeton10K and .5 euro
	B12311211	Coin Drop	Mechanical; Jeton 7K and 1 euro
	B12323901	Coin Drop	Mechanical; Jeton 15K and 7K
	B12311204	Coin Drop	Mechanical; Jeton gettone
	B12311234	Coin Drop	Mechanical; Jeton crouzet
	B12311247	Coin Drop	Mechanical; Jeton 118-1
	B12311248	Coin Drop	Mechanical; Jeton 118-5
	B12311222	Coin Drop	Mechanical; 1 euro
	B12311214	Coin Drop	Mechanical; .5 euro
	B12311202	Coin Drop	Mechanical; .5 and 1 euro
	B12311239	Coin Drop	Mechanical; .5 and 2 euro
	B12311205	Coin Drop	Mechanical; .2 and 1 euro
	B11211209	Coin Drop	Mechanical; .2 and .5 euro
	B12311218	Coin Drop	Mechanical; 1 and 1 euro
	B12311219	Coin Drop	Mechanical; 1 and 2 euro
	B12311203	Coin Drop	Mechanical; 1 and 2 frank
	B12311207	Coin Drop	Mechanical; 1 Deense kroon
	B12311225	Coin Drop	Mechanical; 10 Deense kronen
	B12311235	Coin Drop	Mechanical; 10 Tsjechische kronen
	B12311244	Coin Drop	Mechanical; 10 Noorse kronen
	B12311208	Coin Drop	Mechanical; 100 and 500 yen
	B12311212	Coin Drop	Mechanical; 15K
	B12311215	Coin Drop	Mechanical; 1 kro
	B12311226	Coin Drop	Mechanical; Australia 1.00
	B12311216	Coin Drop	Mechanical; Australia .2 and 1.00
	B12311220	Coin Drop	Mechanical; New Zeland 1.00
	B12311221	Coin Drop	Mechanical; .5 and 2 zwitsers
	B12311241	Coin Drop	Mechanical; Hong Kong 1.00
	B12311249	Coin Drop	Mechanical; Hong Kong 5.00
	B12311301	Coin Drop	Mechanical; U.S. \$.25
	B12311302	Coin Drop	Mechanical; U.S. \$.25 and 1.00
	B12311304	Coin Drop	Mechanical; Canada .25 and 1.00
	B12323401	Coin Drop	Mechanical; Singapore 1.00
4	209/00396/00	Pushbutton	
5	152/00112/00	Mechanical Coin Meter Housing	
6	111/01003/00	Top Panel	Black; Central pay option
7	217/00060/00	Fastening Piece	Central pay option
8	111/01005/00	Backplate	Central pay option
9	204/00116/00	Nut	Central pay option

Coin Drop - Electronic Coin Meter

Cygnus Commercial, Premium and Standard Models

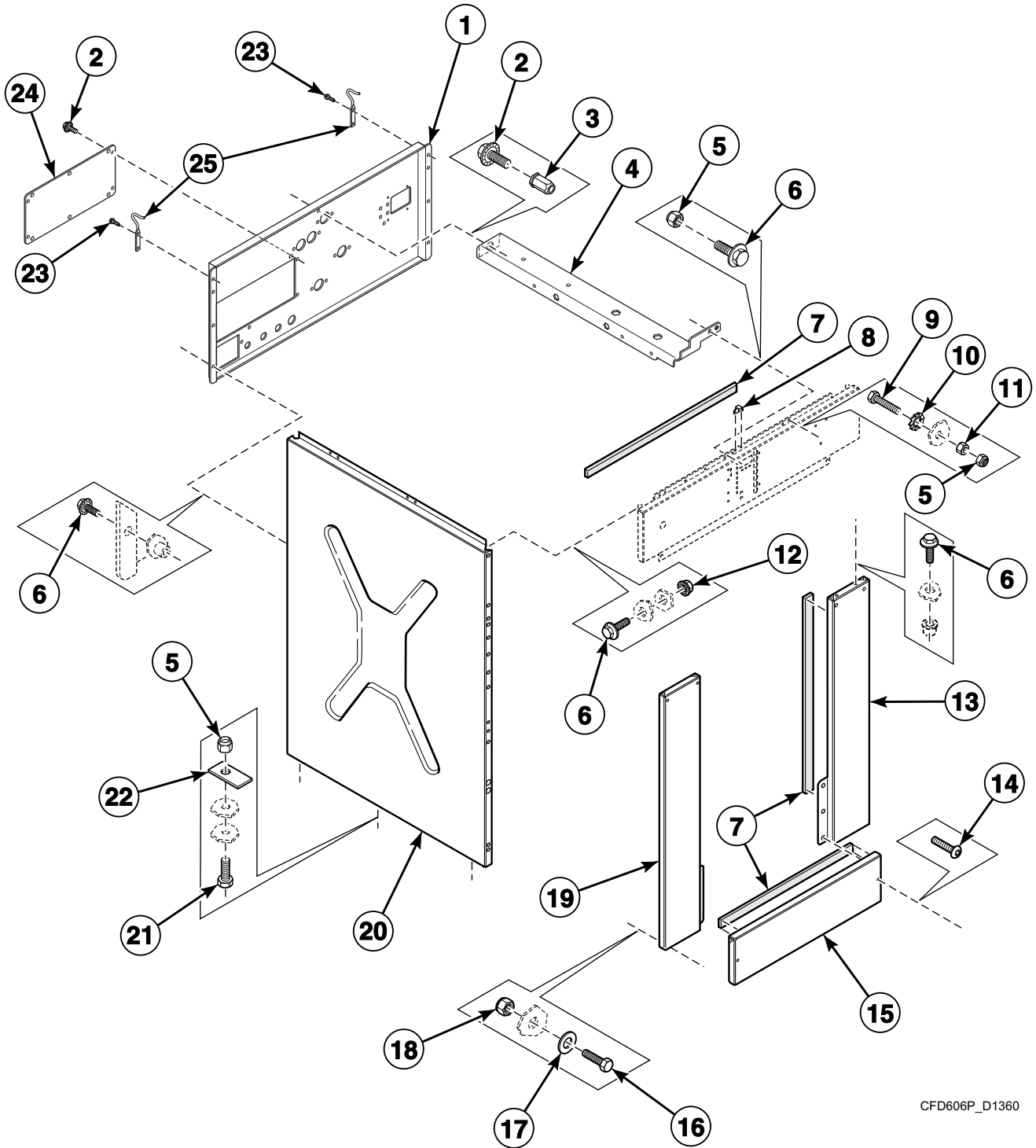


CFD617P_D1360

Coin Drop - Electronic Coin Meter

REF	PART NO.	DESCRIPTION	COMMENTS
	B12309901	Wire Harness Assembly	Single/dual drop
	B12310001	Wire Harness Assembly	Dual drop
1	254/00077/00	Coin Box	
	254/00077/02	Key	
2	204/00116/00	Nut	
3	B12311401	Coin Drop	
4	209/00396/00	Pushbutton	
5	152/00112/50	Electronic Coin Meter Housing	
6	111/01003/00	Top Panel	Black; Central pay option
7	217/00060/00	Fastening Piece	Central pay option
8	111/01005/00	Backplate	Central pay option
9	204/00116/00	Nut	Central pay option

Left Side, Lower Front and Upper Rear Panels - *55 and *235 Models

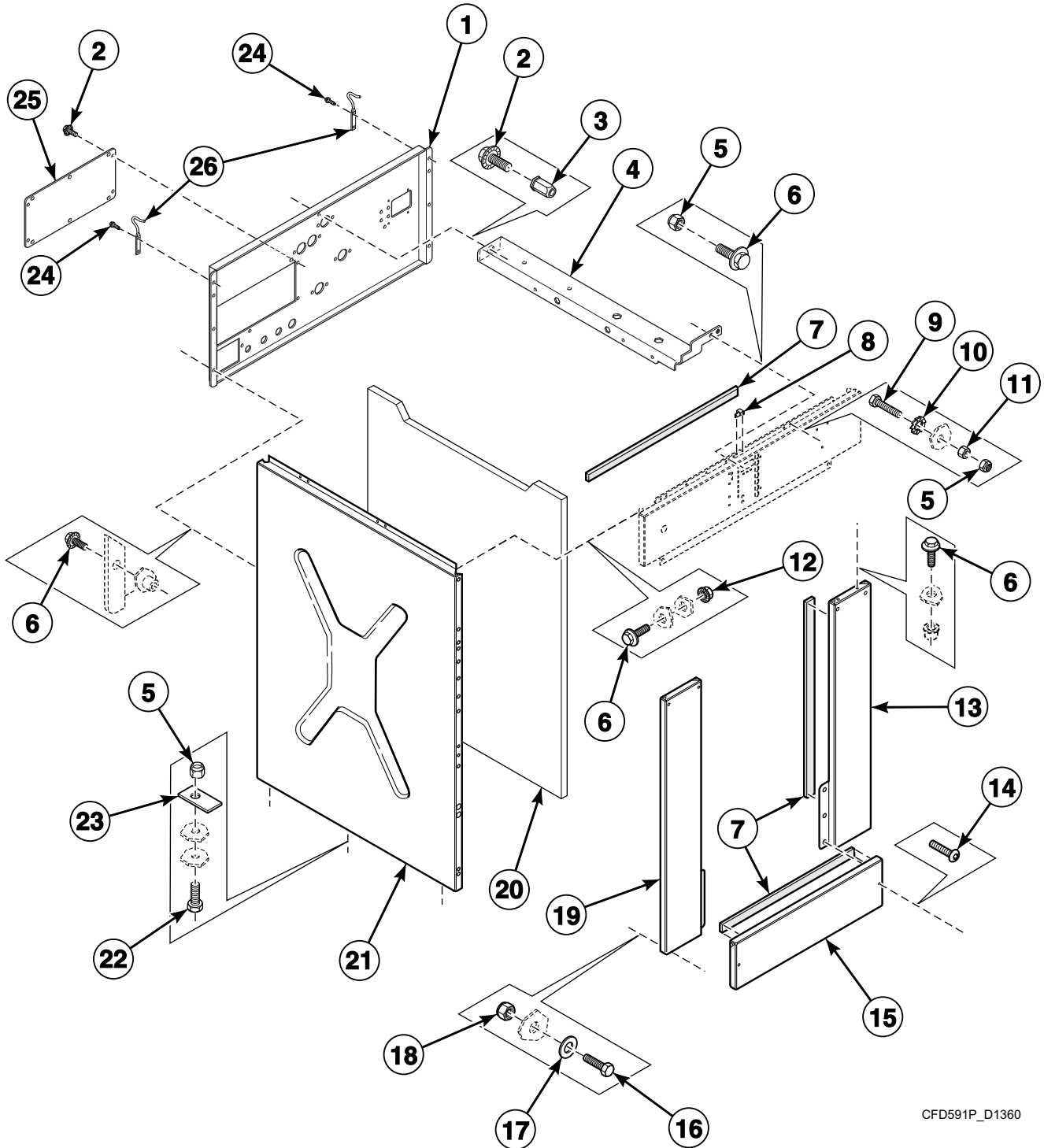


CFD606P_D1360

Left Side, Lower Front and Upper Rear Panels - *55 and *235 Models

REF	PART NO.	DESCRIPTION	COMMENTS
1	B12354601	Backbridge	
2	206/00104/00	Screw	
3	204/00011/00	Nut	
4	B12354901	Supply Dispenser Crossbar	
5	204/00009/00	Nut	
6	205/00105/00	Bolt	
7	246/00149/00	Gasket	
8	F8201001	Top Cover Latch	
9	205/00103/00	Bolt	
10	203/00004/00	Washer	
11	204/00106/00	Nut	
12	206/00101/00	Nut	
13	111/32957/50	Right Front Panel	
14	B12500601	Screw	
15	111/32943/00	Kickplate	
16	206/00042/00	Bolt	
17	201/00010/00	Washer	
18	204/00109/00	Nut	
19	111/32951/50	Left Front Panel	
20	140/00007/00	Side Panel	
21	205/00105/00	Bolt	
22	101/00007/00	Outlet Pipe Plate Assembly	
23	B12462901	Screw	
24	B12312501	Main Switch Cover	
25	B12487401	Top Cover Hinge	

Left Side, Lower Front and Upper Rear Panels - *75 and *305 Models

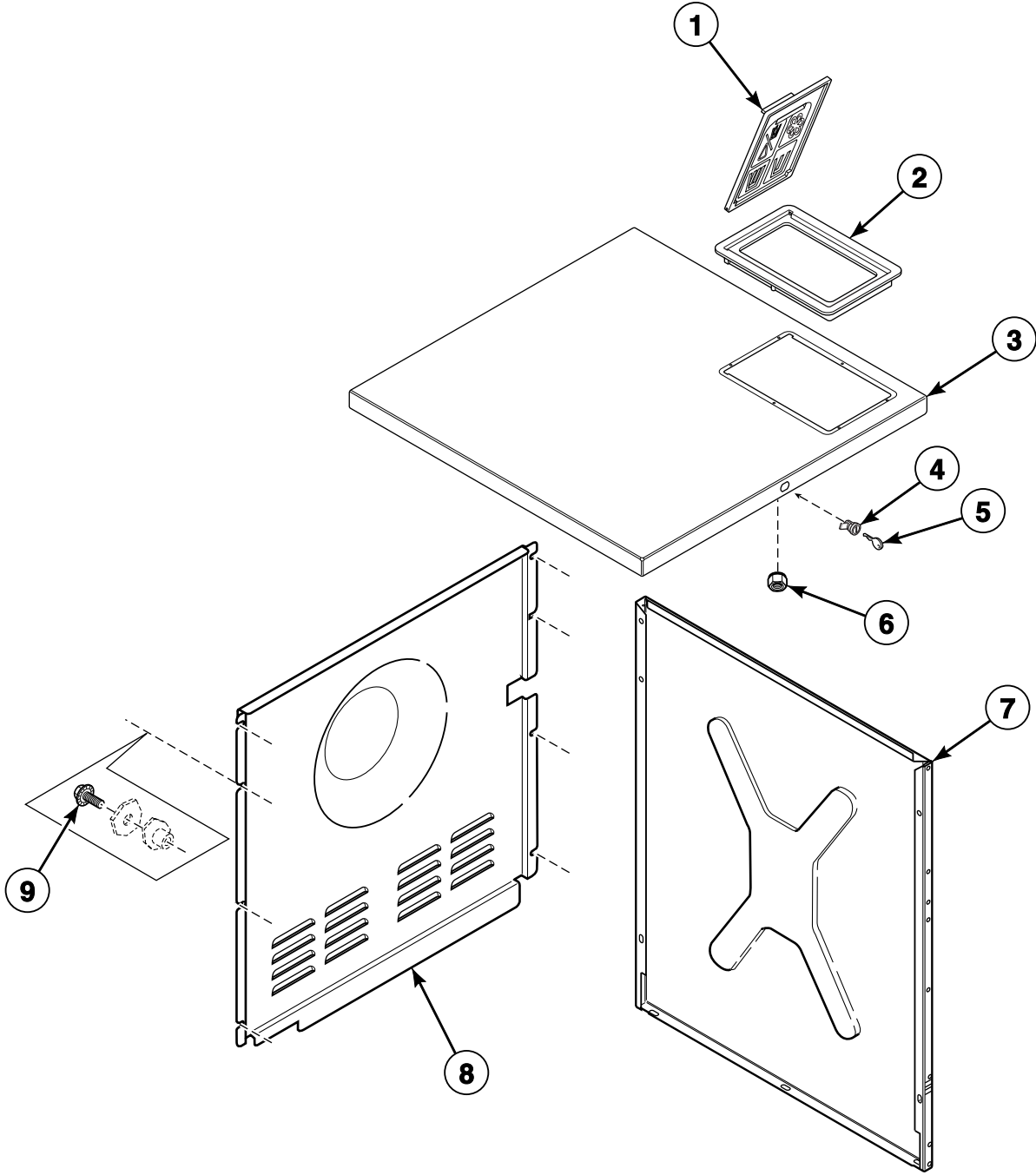


CFD591P_D1360

Left Side, Lower Front and Upper Rear Panels - *75 and *305 Models

REF	PART NO.	DESCRIPTION	COMMENTS
1	B12339701	Backbridge	
2	206/00104/00	Screw	
3	204/00011/00	Nut	
4	B12338101	Supply Dispenser Crossbar	
5	204/00009/00	Nut	
6	205/00105/00	Bolt	
7	246/00149/00	Gasket	
8	F8201001	Top Cover Latch	
9	205/00103/00	Bolt	
10	203/00004/00	Washer	
11	204/00106/00	Nut	
12	206/00101/00	Nut	
13	111/32957/50	Right Front Panel	
14	B12500601	Screw	
15	111/32943/00	Kickplate	
16	206/00042/00	Bolt	
17	201/00010/00	Washer	
18	204/00109/00	Nut	
19	111/32951/50	Left Front Panel	
20	246/00079/00	Side Panel Gasket	
21	133/00126/00	Side Panel	
22	205/00105/00	Bolt	
23	101/00007/00	Outlet Pipe Plate Assembly	
24	B12462901	Screw	
25	B12312501	Main Switch Cover	
26	B12487401	Top Cover Hinge	

Top, Right Side and Lower Back Panels - *55 and *235 Models

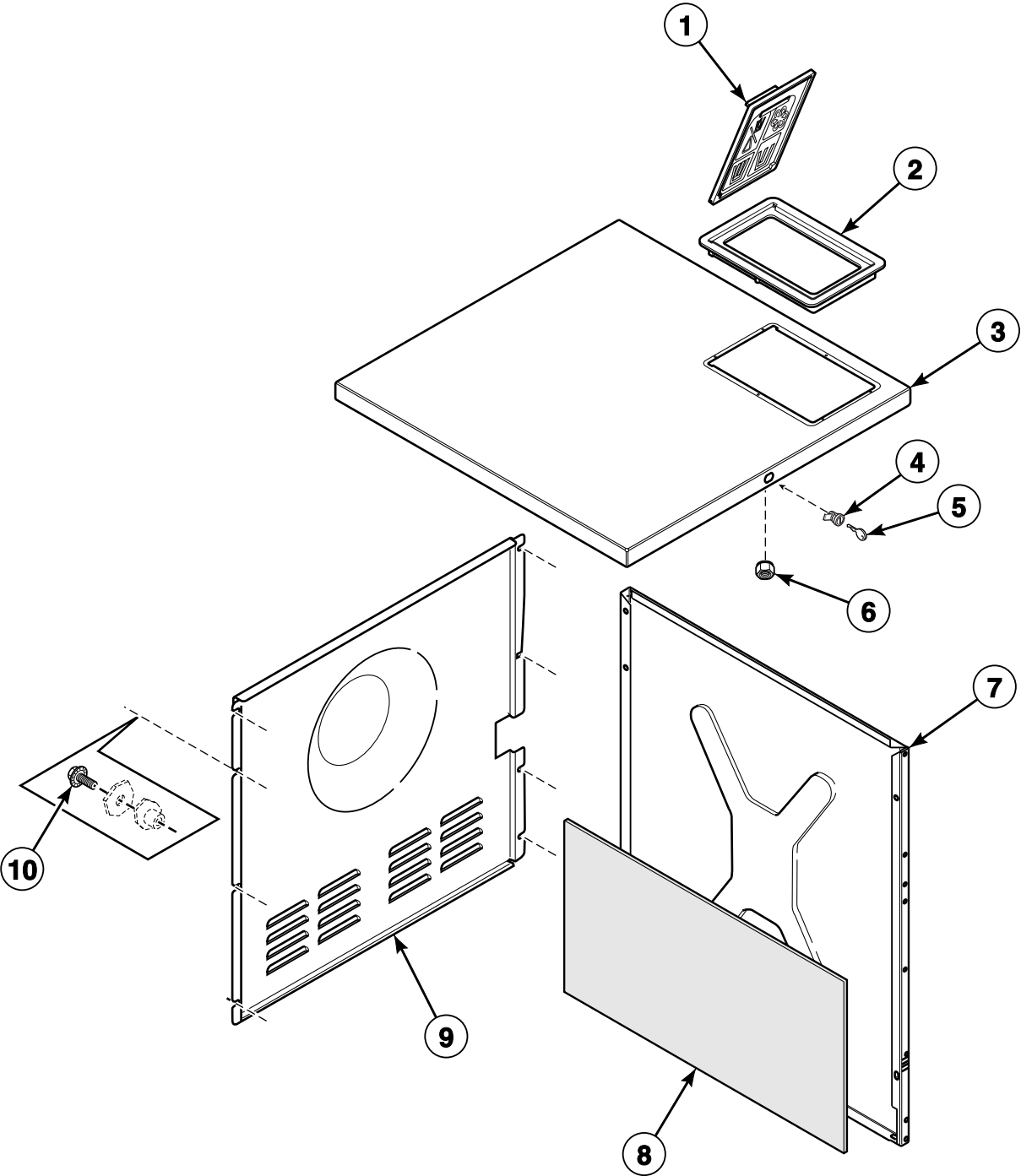


CFD590P_D1360

Top, Right Side and Lower Back Panels - *55 and *235 Models

REF	PART NO.	DESCRIPTION	COMMENTS
1	B12319101	Supply Dispenser Cover	U.S. models
	B12356701	Supply Dispenser Cover	International models
2	B12319201	Supply Dispenser Cover Frame	
3	B12354801	Top Panel	
4	44089303P	Panel Lock	Includes item 5
5	70155603	Key	
6	44088807	Nut	
7	140/00007/00	Side Panel	
8	B12354701	Lower Rear Panel	
9	206/00104/00	Screw	

Top, Right Side and Lower Back Panels - *75 and *305 Models

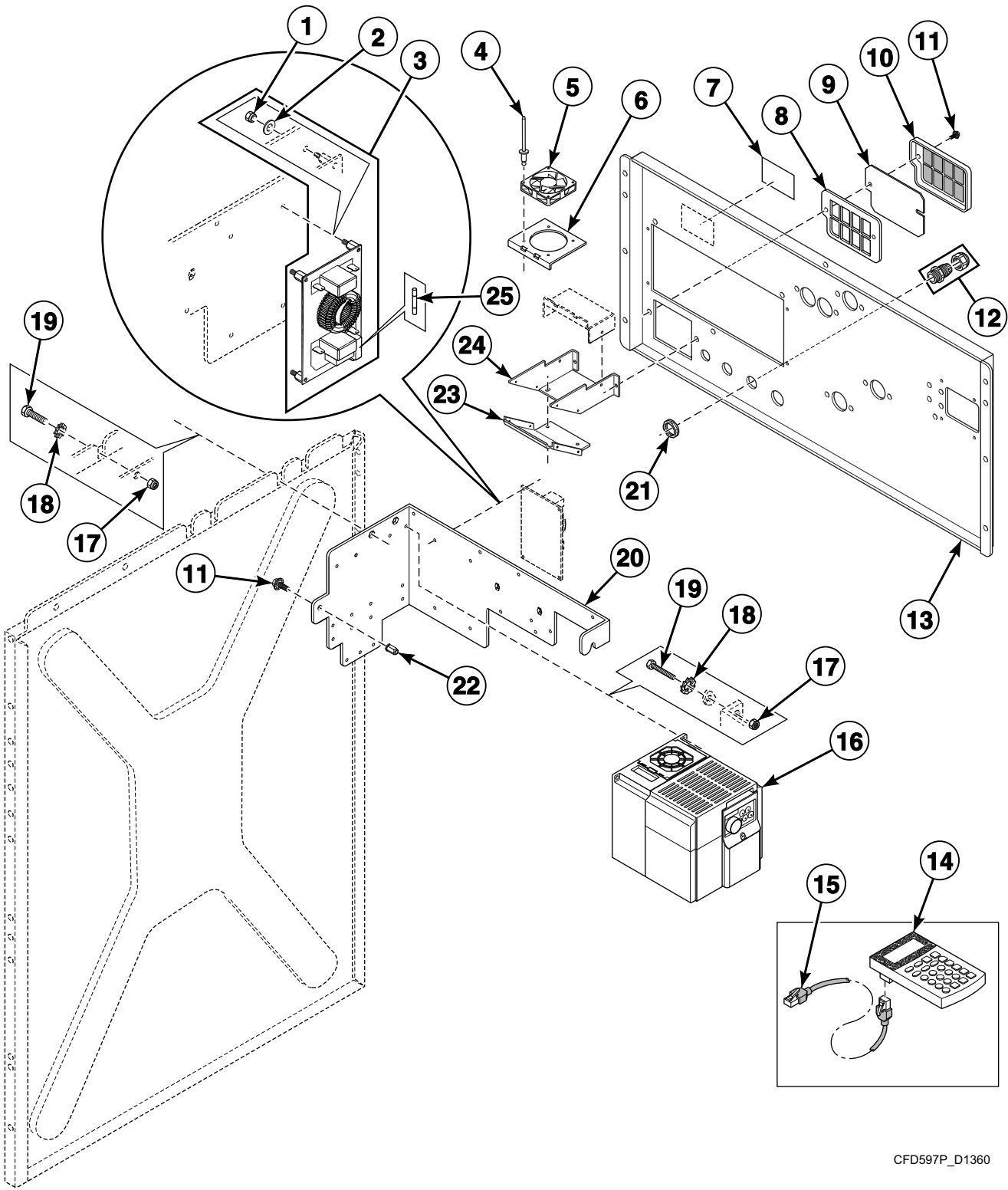


CFD592P_D1360

Top, Right Side and Lower Back Panels - *75 and *305 Models

REF	PART NO.	DESCRIPTION	COMMENTS
1	B12319101	Supply Dispenser Cover	U.S. models
	B12356701	Supply Dispenser Cover	International models
2	B12319201	Supply Dispenser Cover Frame	
3	B12339901	Top Panel	
4	44089303P	Panel Lock	Includes item 5
5	70155603	Key	
6	44088807	Nut	
7	133/00126/00	Side Panel	
8	246/00079/00	Side Panel Gasket	
9	B12339801	Lower Rear Panel	
10	206/00104/00	Screw	

Inverter Drive

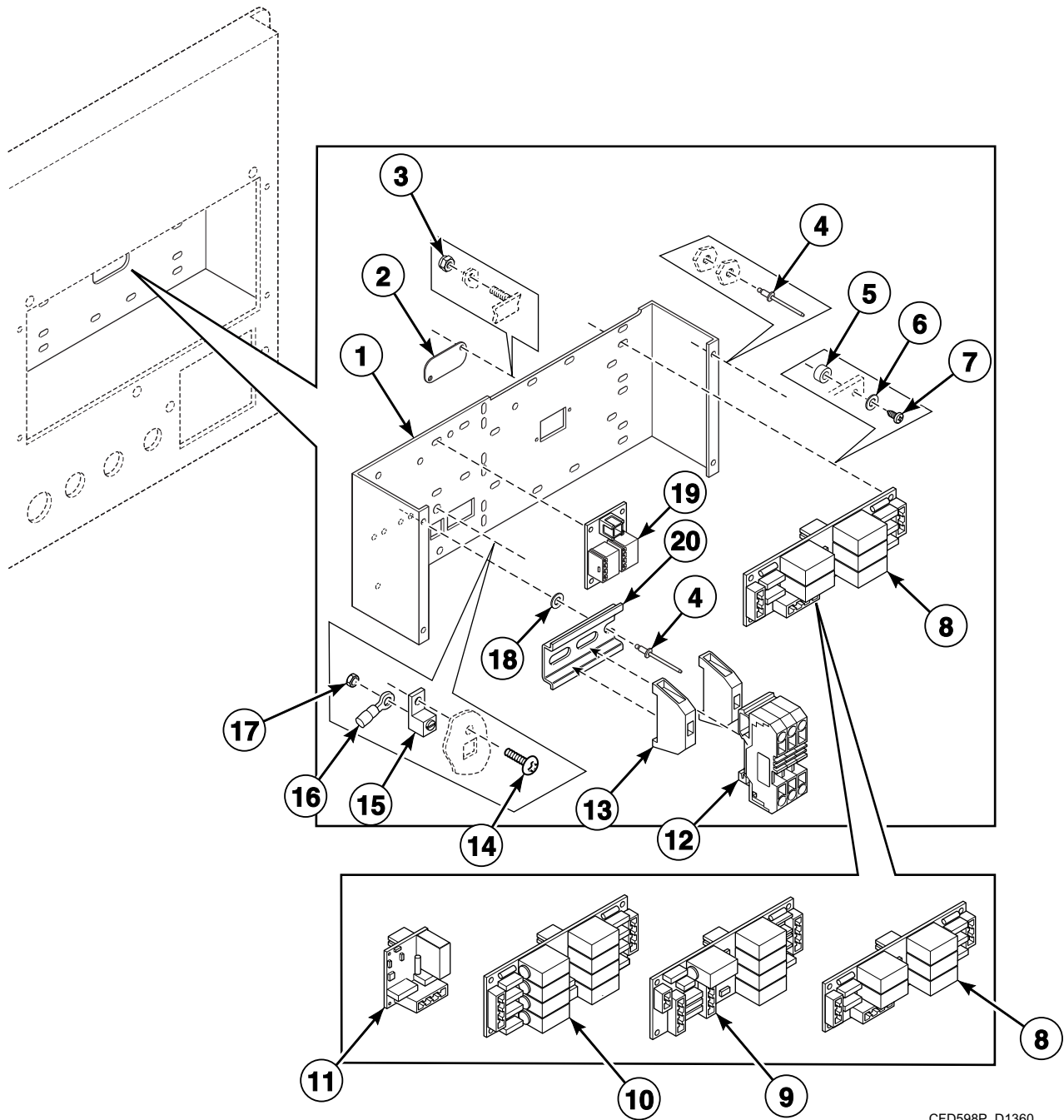


CFD597P_D1360

Inverter Drive

REF	PART NO.	DESCRIPTION	COMMENTS
	B12348201	Control Supply Harness	WE-8 *75 and *305 models; N, P and Q-voltage
	B12348401	Control Supply Harness	WE-8 *75 and *305 models; C-voltage
	B12501502	E-Stop Drive Fan Harness	WE-8 models
	B12501501	E-Stop Drive Fan Harness	Cygnus models
	B12495601	Drive Source Harness	WE-8 models except *75 and *305 with Q-voltage
	B12495602	Drive Source Harness	Models HX55, HXN235P, SX55, SXN235P, UX55 and UXN235P; Q-voltage
	B12350101	Ethernet Cable	Cygnus models
1	204/00014/00	Nut	
2	202/00004/00	Washer	
3	B12339401	Noise Filter	30A1; 1x230 Volt; *55 and *235 models; C, Q and X-voltage
	227/00242/00	Noise Filter	8A3; 3x400 Volt; *55 and *235 models; N and P-voltage
	227/00163/00	Noise Filter	27A3; 3x230 Volt; *75 and *305 models; Q-voltage
	227/00162/00	Noise Filter	15A3; 3x230 Volt; *75 and *305 models; C, N and P-voltage
4	208/00017/00	Rivet	
5	209/00465/00	Fan	
6	B12357201	Fan Mounting Plate	
7	B12355001	Voltage Discharge Decal	
8	B12372401	Inverter Air Inlet Filter Frame	Inside
9	B12382401	Inverter Air Inlet Filter Grill	
10	B12346701	Inverter Air Inlet Filter Frame	Outside
11	206/00104/00	Screw	
12	211/00183/00	Nut	
13	B12339701	Backbridge	*75 and *305 models
	B12354601	Backbridge	*55 and *235 models
14	227/00171/00	Parameter Unit Assembly	Hand held
15	227/00171/10	Parameter Unit Program Cable	
16	F8420919	Inverter Drive	700 series; 1x230 Volt; Models HX55, HXN235P, SX55, SXN235P, UX55 and UXN235P; C, Q and X-voltage
	F8420920	Inverter Drive	700 series; 3x400 Volt; Models HX55, HXN235P, SX55, SXN235P, UX55 and UXN235P; N and P-voltage
	F8420921	Inverter Drive	700 series; 1x230 Volt; Models HX75, HXN305P, SX75, SXN305P, UX75 and UXN305P; C, Q and X-voltage
	F8420922	Inverter Drive	700 series; 3x400 Volt; Models HX75, HXN305P, SX75, SXN305P, UX75 and UXN305P; N and P-voltage
	227/00230/00	Inverter	700 series; 1x230 Volt; *55 and *235 Cygnus models; C, Q and X-voltage
	227/00238/00	Inverter	700 series; 3x400 Volt; *55 and *235 Cygnus models; N and P-voltage
	227/00224/00	Inverter	700 series; 3x230 Volt; *75 and *305 Cygnus models; Q-voltage
	227/00231/00	Inverter	700 series; 3x400 Volt; *75 and *305 Cygnus models; C, N and P-voltage
17	204/00114/00	Nut	
18	203/00006/00	Washer	
19	206/00088/00	Bolt	
20	B12333201	Inverter Drive Box	*55 and *235 models
	B12357401	Inverter Drive Box	*75 and *305 models
	B12396101	Inverter Mounting Plate	*75 and *305 models
21	211/00170/00	Nut	
22	204/00011/00	Nut	
23	B12342701	Air Inlet Bottom	
24	B12342501	Air Inlet	
25	B12389501	Fuse	3.15 A; 500 Volt; Used with 227/00242/00 Filter; *55 and *235 models; N and P-voltage
	209/00468/00	Fuse	3.15 A; Used with B12339401 Noise Filter; *55 and *235 models; C, Q and X-voltage

Printboard Support Panel and Soap Injection Printboards - Cygnus Models

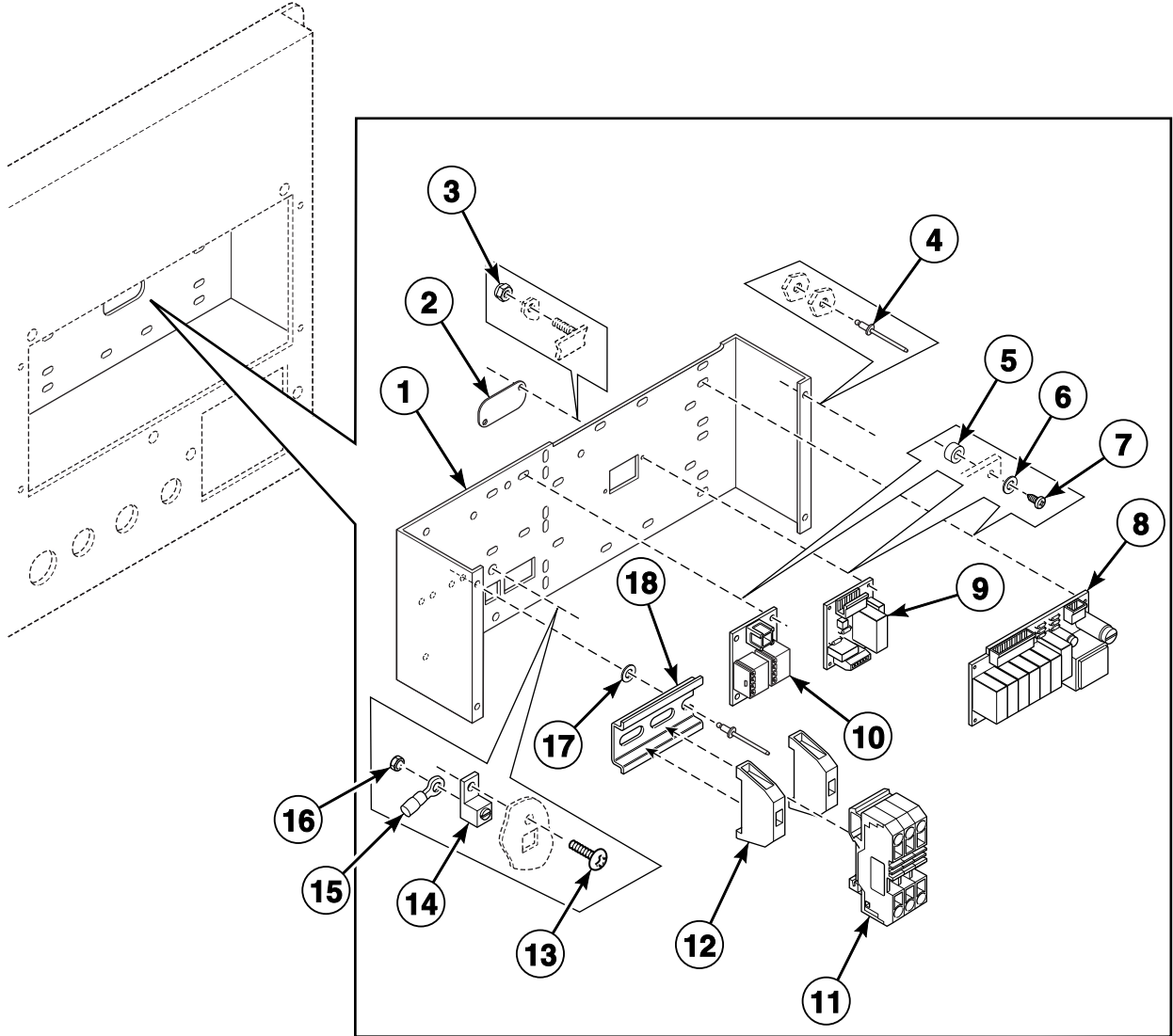


CFD598P_D1360

Printboard Support Panel and Soap Injection Printboards - Cygnus Models

REF	PART NO.	DESCRIPTION	COMMENTS
	B12388301	Ribbon Assembly	Used with items 8-11
1	B12312401	Printboard Support	
2	B12382501	Flat Cable Plate	
3	204/00116/00	Nut	
4	208/00017/00	Rivet	
5	B12390301	Standoff	
6	223/00123/00	Washer	
7	B12393801	Screw	
8	209/02005/00	Detergent PC-Board	1-5
9	209/02014/00	Relay PC-Board	5-5
10	209/02008/00	Detergent PC-Board	1-8
11	209/02016/00	Relay PC-Board	1-1
12	209/01625/00	Terminal Block	Grey; 3 on C, N, P and Q-voltage; 1 on X-voltage
	209/01624/00	Terminal Block	Blue; 1 on C and X-voltage
	209/01625/01	Terminal End	
13	209/00633/02	End Stop	
14	206/00104/00	Screw	
15	M411283	Ground Lug Connector	
16	B12456001	Wiring Earth for Inverter	
17	206/00101/00	Nut	
18	202/00004/00	Washer	
19	B12344201	Network Board	Network models
20	B12315401	DIN Rail	60 mm

Printboard Support Panel and Soap Injection Printboards - WE-8 Models

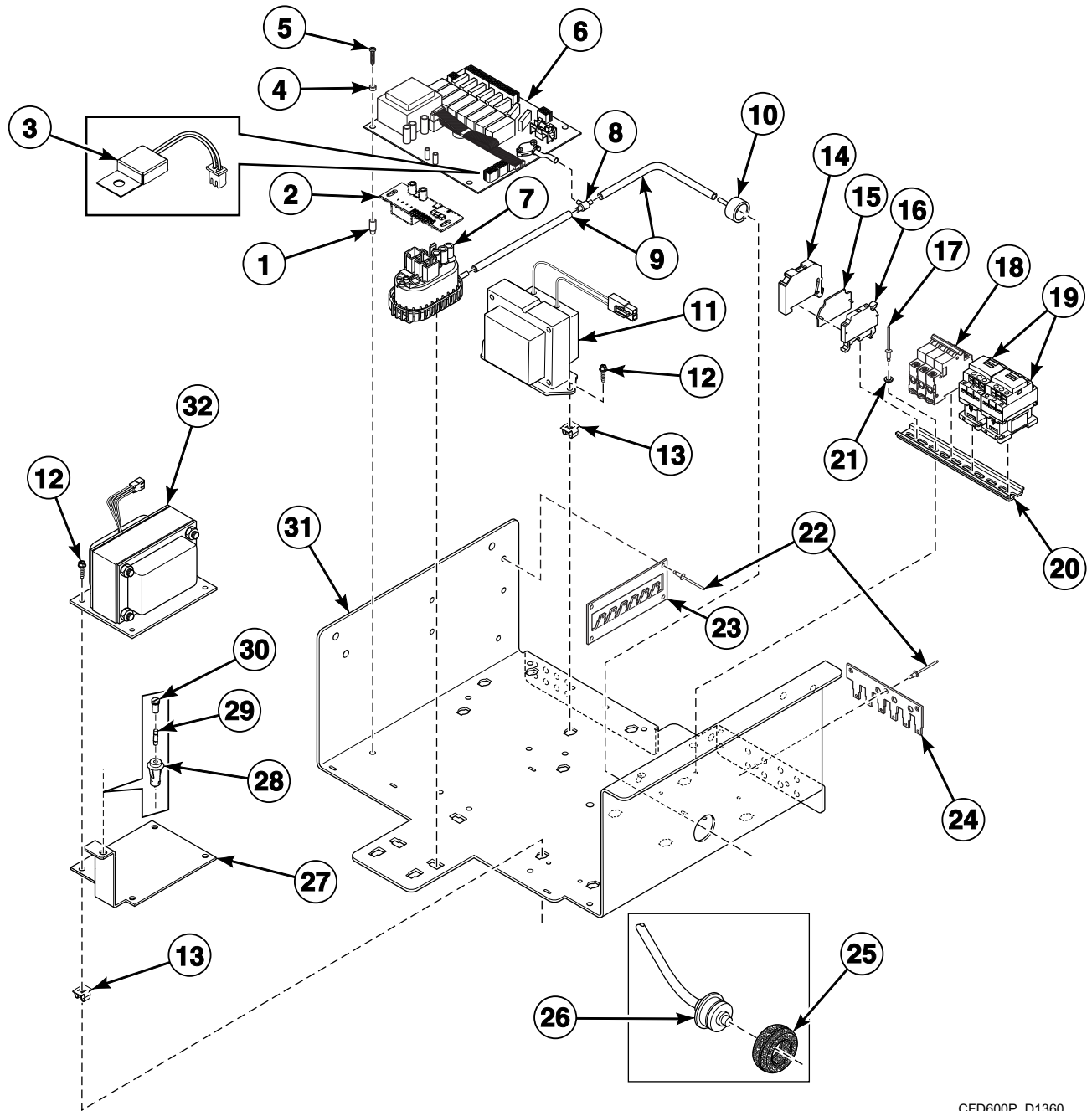


CFD629P_D1360

Printboard Support Panel and Soap Injection Printboards - WE-8 Models

REF	PART NO.	DESCRIPTION	COMMENTS
	B12495702	Soap Board Harness	
1	B12312401	Printboard Support	
2	B12382501	Flat Cable Plate	
3	204/00116/00	Nut	
4	208/00017/00	Rivet	
5	B1239031	Spacer	
6	223/00123/00	Washer	
7	B12393801	Screw	
8	209/00218/13	Soap Injection PCB with Fuse	
9	209/00438/50	Central Control Board	240 Volt
10	B12344201	Network Board	Network models
11	209/01625/00	Terminal Block	Grey; 3 on C, N, P and Q-voltage; 1 on X-voltage
	209/01624/00	Terminal Block	Blue; 1 on C and X-voltage
	209/01625/01	Terminal End	
12	209/00633/02	End Stop	
13	206/00104/00	Screw	
14	M411283	Ground Lug Connector	
15	B12456002	Wiring Earth for Tub	
16	206/00109/00	Nut	
17	202/00004/00	Washer	
18	B12315401	DIN Rail	60 mm

Electrical Component Mounting Plate - Cygnus Models

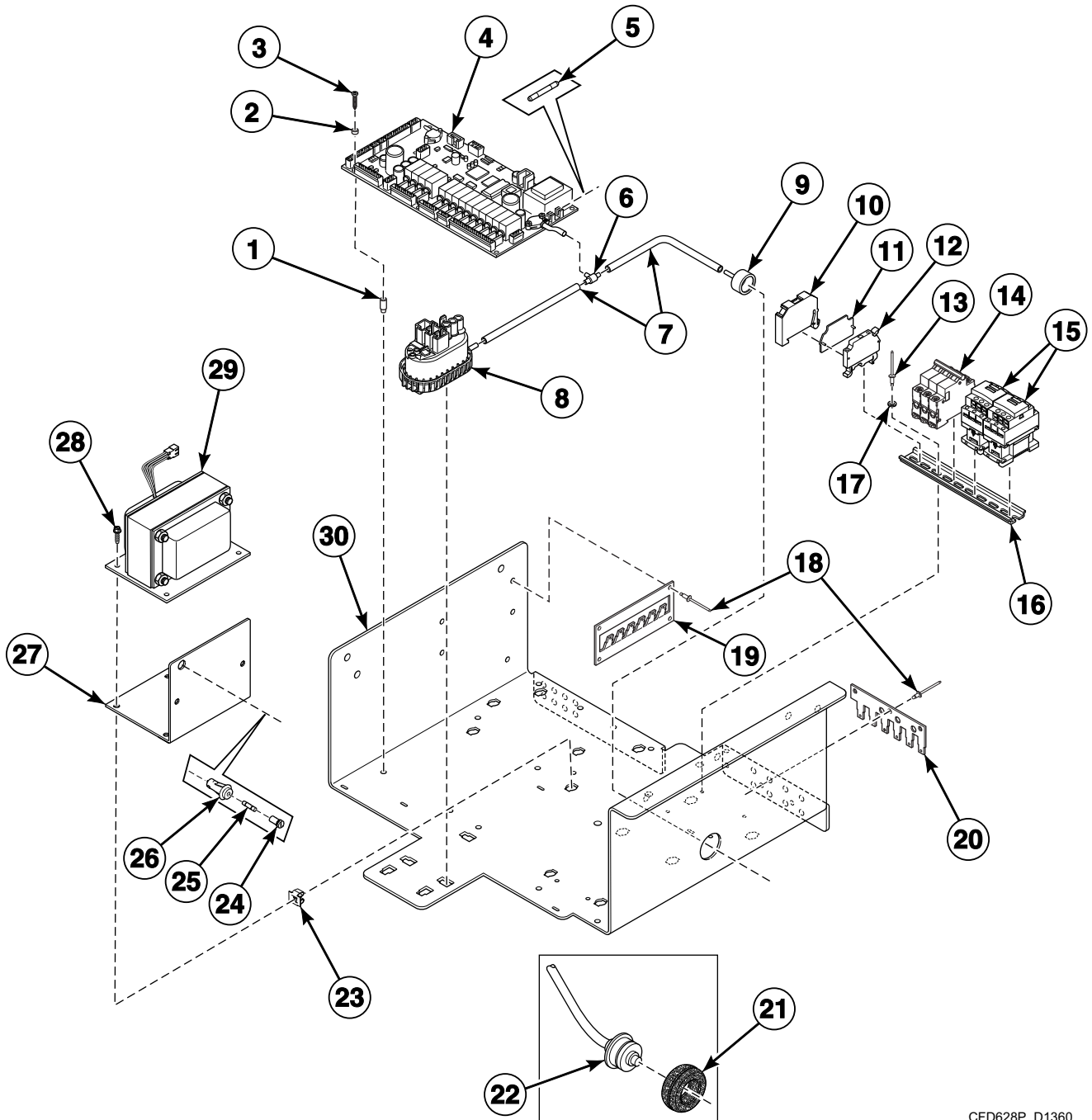


CFD600P_D1360

Electrical Component Mounting Plate - Cygnus Models

REF	PART NO.	DESCRIPTION	COMMENTS
	B12392701	Direct Fill Harness	
	B12381101	Main Control Tray Harness	
	B12348102	Control Supply Harness	*75 and *305 models; C and Q-voltage
	B12348801	Harness Control Comm	
	B12348301	Control Supply Harness	*55 and *235 models; N and P-voltage
	B12348302	Control Supply Harness	*75 and *305 models; N and P-voltage
	B12348101	Control Supply Harness	*55 and *235 models; C, Q and X-voltage
	B12381402	Control Supply Harness	24 VAC
	B12390201	Network Connection Wiring	
1	B12390301	Standoff	
2	B12341801	Printboard	Network models
3	209/02020/00	ID Chip	
4	223/00123/00	Washer	
5	B12393801	Screw	
6	B12355701	Control Board	
	B12360001	Fuse	1.25A
7	B12509701	Pressure Switch	Single lever; 300/255; Steam and electric heat
8	223/00173/10	Pressure Switch Hose Tee	
9	223/00333/00	Pressure Hose	
10	223/00035/02	Pressure Switch Cap	
11	201616	Transformer	Models with extension boards
12	B12462901	Screw	
13	B12449601	Expansion Clip	
14	209/00633/02	End Stop	Electric, steam or dual heat; 2 on *75 and *305 models without heat
15	260/00036/01	Connection Clamp Fuse Holder Final Plate	*75 and *305 models
16	260/00036/00	Connection Clamp Fuse Holder	*75 and *305 models
	B12389501	Fuse	*75 and *305 models
17	208/00017/00	Rivet	
18	B12487101	Circuit Breaker	Electric heat; C and Q-voltage; *55 and *235 models
	B12474601	Circuit Breaker	Electric heat; N and P-voltage; *75 and *305 models with C and Q-voltage
19	209/06148/02	Heating Contactor	Electric heat
20	B12315301	DIN Rail	200 mm
21	202/00004/00	Washer	
22	208/00017/00	Rivet	
23	B12395201	Earth Plate Side	
24	B12395301	Earth Plate Bottom	
25	225/10004/00	Thermostat Seal	
26	210/01064/16	Thermostat	
27	B12439601	Transformer Fuse Mounting Plate	N and P-voltage
28	70329401	Fuse Holder Body	N and P-voltage
29	802492	Fuse	N and P-voltage
30	70329501	Fuse Holder Cap	N and P-voltage
31	B12313001	Electrical Component Mounting Plate	
32	F8401301	Transformer	N and P-voltage

Electrical Component Mounting Plate - WE-8 Models

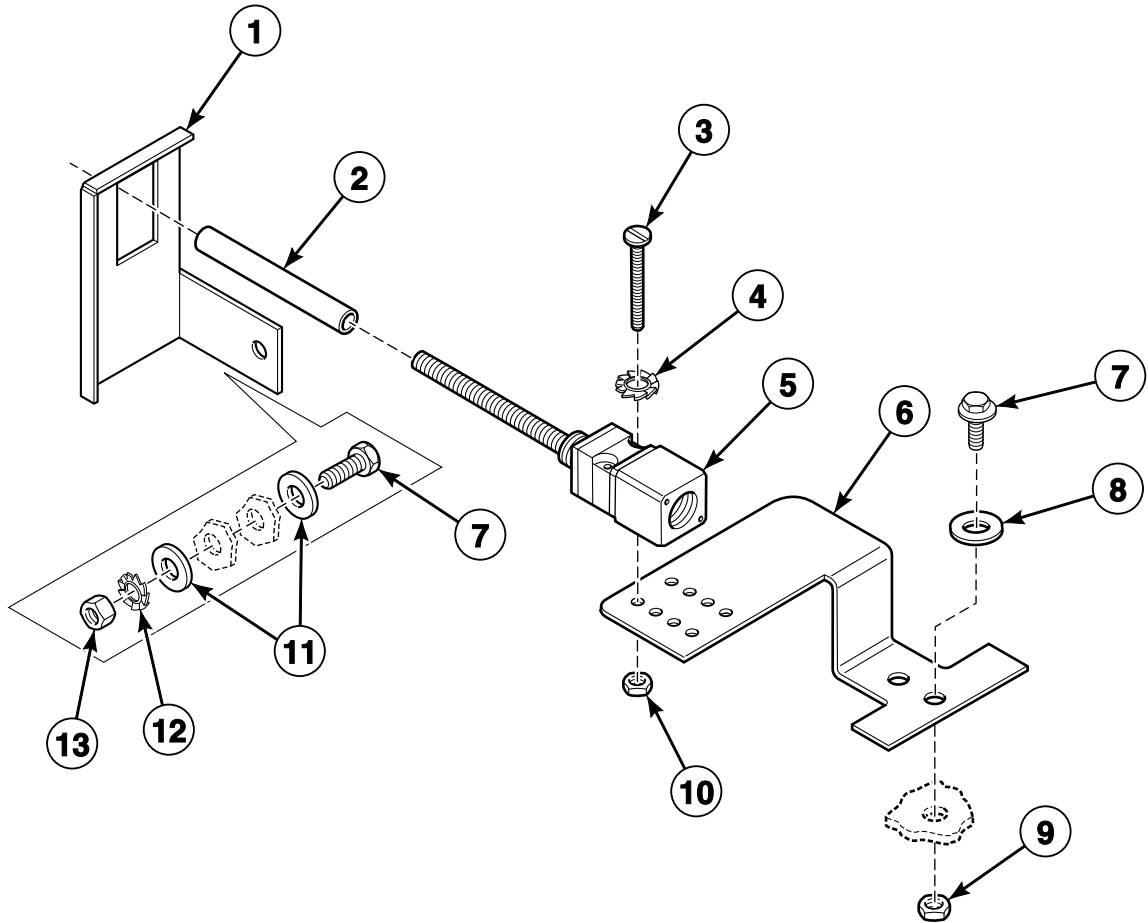


CFD628P_D1360

Electrical Component Mounting Plate - WE-8 Models

REF	PART NO.	DESCRIPTION	COMMENTS
	B12348303	Control Supply Harness	*55 and *235 models; N and P-voltage
	B12348103	Control Supply Harness	*55 and *235 models; C, Q and X-voltage
	B12348304	Control Supply Harness	*75 and *305 models; N and P-voltage
	B12381103	Main Control Tray Harness	
	B12392704	Direct Fill Harness	240 Volt
	B12348104	Control Supply Harness	*75 and *305 models; C and Q-voltage
1	B12390301	Standoff	
2	223/00123/00	Washer	
3	B12393801	Screw	
4	9002098	Main Control	
5	209/00372/01	Fuse	0.125 Amps
6	223/00173/10	Pressure Switch Hose Tee	
7	223/00333/00	Pressure Hose	
8	B12509701	Pressure Switch	Single lever; 300/255; Electric and steam heat
9	223/00035/02	Pressure Switch Cap	
10	209/00633/02	End Stop	Electric and steam heat; 2 on *75 and *305 models without heat
11	260/00036/01	Connection Clamp Fuse Holder Final Plate	*75 and *305 models
12	260/00036/00	Connection Clamp Fuse Holder	*75 and *305 models
	B12389501	Fuse	*75 and *305 models
13	208/00017/00	Rivet	
14	B12487101	Circuit Breaker	Electric heat; C and Q-voltage; *55 and *235 models
	B12474601	Circuit Breaker	Electric heat; N and P-voltage; *75 and *305 models with C and Q-voltage
15	209/06148/02	Heating Contactor	Electric heat
16	B12315301	DIN Rail	200 mm
17	202/00004/00	Washer	
18	208/00017/00	Rivet	
19	B12395201	Earth Plate Side	
20	B12395301	Earth Plate Bottom	
21	225/10004/00	Thermostat Seal	
22	210/01064/16	Thermostat	
23	B12449601	Expansion Clip	
24	70329501	Fuse Holder Cap	N and P-voltage
25	802492	Fuse	N and P-voltage
26	70329401	Fuse Holder Body	N and P-voltage
27	B12439701	Transformer Fuse Mounting Plate	N and P-voltage
28	B12462901	Screw	
29	B12313002	Electrical Component Mounting Plate	
30	F8401301	Transformer	N and P-voltage

Balance Switch

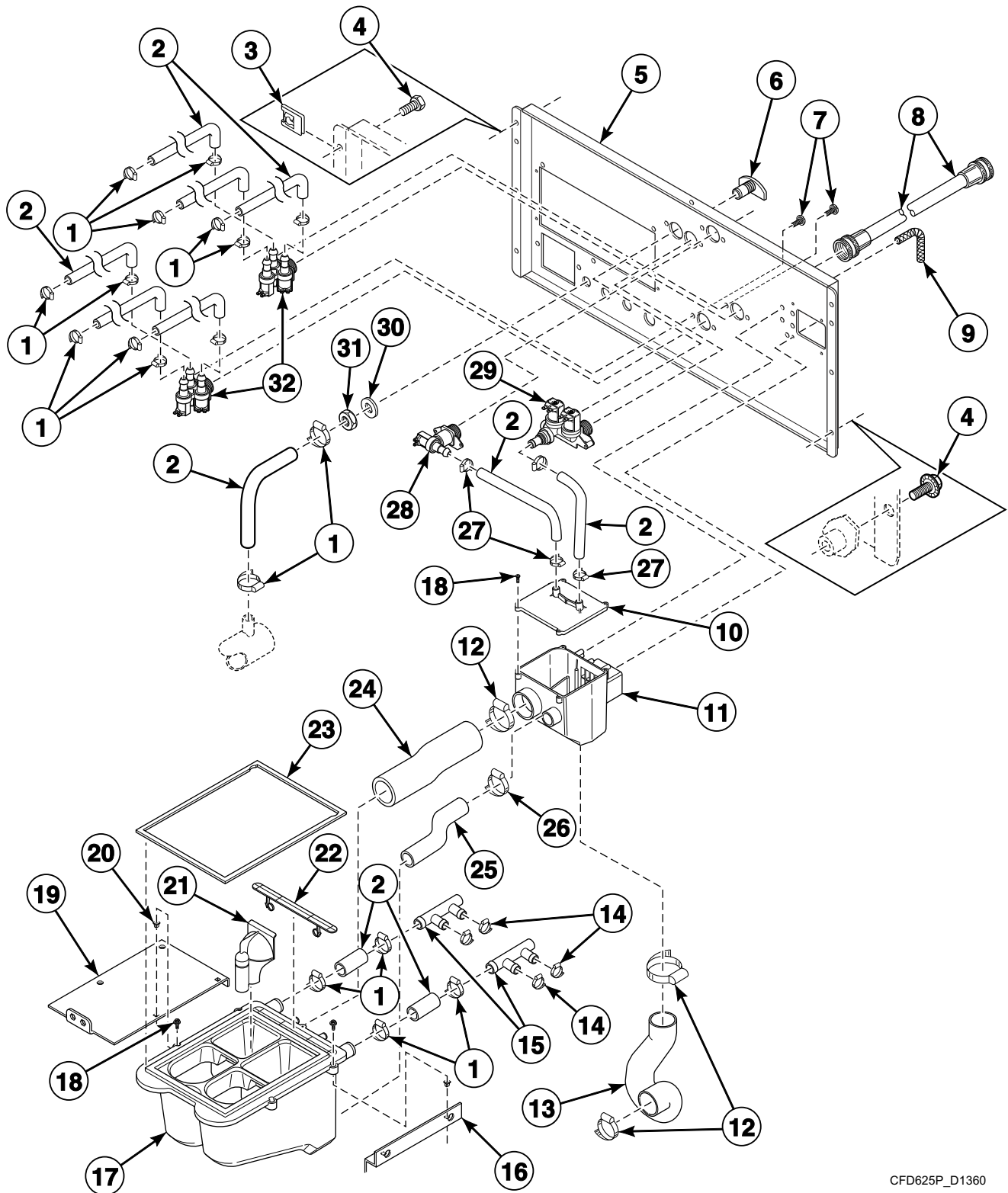


CFD622P_D1360

Balance Switch

REF	PART NO.	DESCRIPTION	COMMENTS
	B12349902	Out-of-Balance Switch Harness	
1	111/32959/00	Out-of-Balance Switch Bracket	
2	223/00246/00	Out-of-Balance Switch Boot	
3	207/00018/00	Screw	
4	203/00006/00	Washer	
5	209/00255/00	Out-of-Balance Switch	
6	B12430301	Tilt Switch Support	
7	205/00107/00	Bolt	
8	202/00101/00	Washer	
9	204/00009/00	Nut	
10	204/00007/00	Nut	
11	201/00010/00	Washer	
12	203/00003/00	Washer	
13	204/00004/00	Nut	

Fill Plumbing Assembly

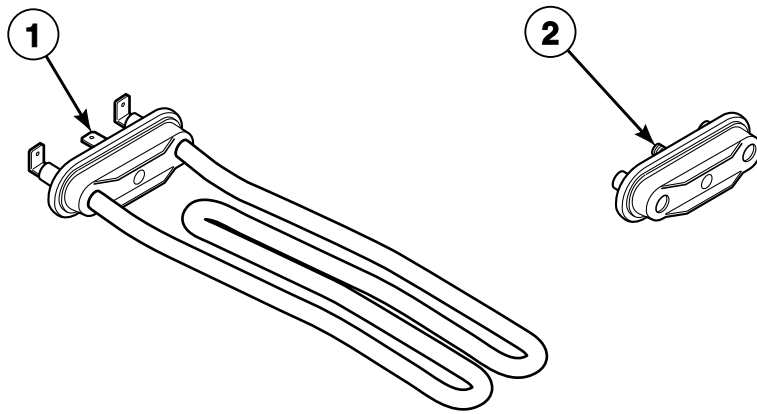


CFD625P_D1360

Fill Plumbing Assembly

REF	PART NO.	DESCRIPTION	COMMENTS
	B12349201	Inlet Valve Harness	*55 and *235 Cygnus models; Models JXW305C, JXW305X and JXW305Y
	B12349203	Inlet Valve Harness	*75 and *305 Cygnus models
	B12349202	Inlet Valve Harness	Models HX55, HXN235P, SX55, SXN235P, UX55 and UXN235P
	B12349204	Inlet Valve Harness	Models HX75, HXN305P, SX75, SXN305P, UX75 and UXN305P
1	223/00010/00	Hose Clamp	
2	223/00044/01	Water Hose	
3	B12449601	Expansion Clip	
4	B12462901	Screw	
5	B12354601	Backbridge	*55 and *235 models
	B12339701	Backbridge	*75 and *305 models
6	223/00001/04	Prewash and Mainwash Nozzle	
7	206/00027/00	Bolt	
8	F200164	Water Hose	Standard thread
	F200166	Water Hose	Metric thread
9	B12687401	Pressure Hose	
10	F8439301	Vacuum Breaker Cover	
11	F8048601	Vacuum Breaker Assembly	Includes item 10
12	223/00014/00	Hose Clamp	
13	B12324506	Siphon Break Hose	
14	223/00011/00	Hose Clamp	
15	F8333201	Manifold	
16	B12316401	Supply Dispenser Support	
17	F8047401	Dispenser Assembly	
18	B12462801	Screw	
19	B12337301	Supply Dispenser Mounting Plate	
20	B12463001	Insert	
21	F8047901	Siphon Cover	
22	F8047801	Access Cover	
23	F8308301	Dispenser Gasket	
24	B12390005	Vacuum Supply Hose	
25	B12313304	Dispenser Overflow Hose	
26	223/00223/00	Hose Clamp	
27	223/00013/00	Hose Clamp	
28	209/00276/00	Inlet Valve	1-way; E.U. thread; Hard water rinse optional
	223/00050/01	Water Valve Adapter	U.S. thread
29	F8434001	Mixing Valve	U.S. thread
	F8434002	Mixing Valve	E.U. thread
30	201/00002/00	Washer	
31	204/00201/00	Nut	
32	B12496101	Inlet Valve	3-way; U.S. thread
	B12496201	Inlet Valve	3-way; E.U. thread

Steam and Electric Heating Options

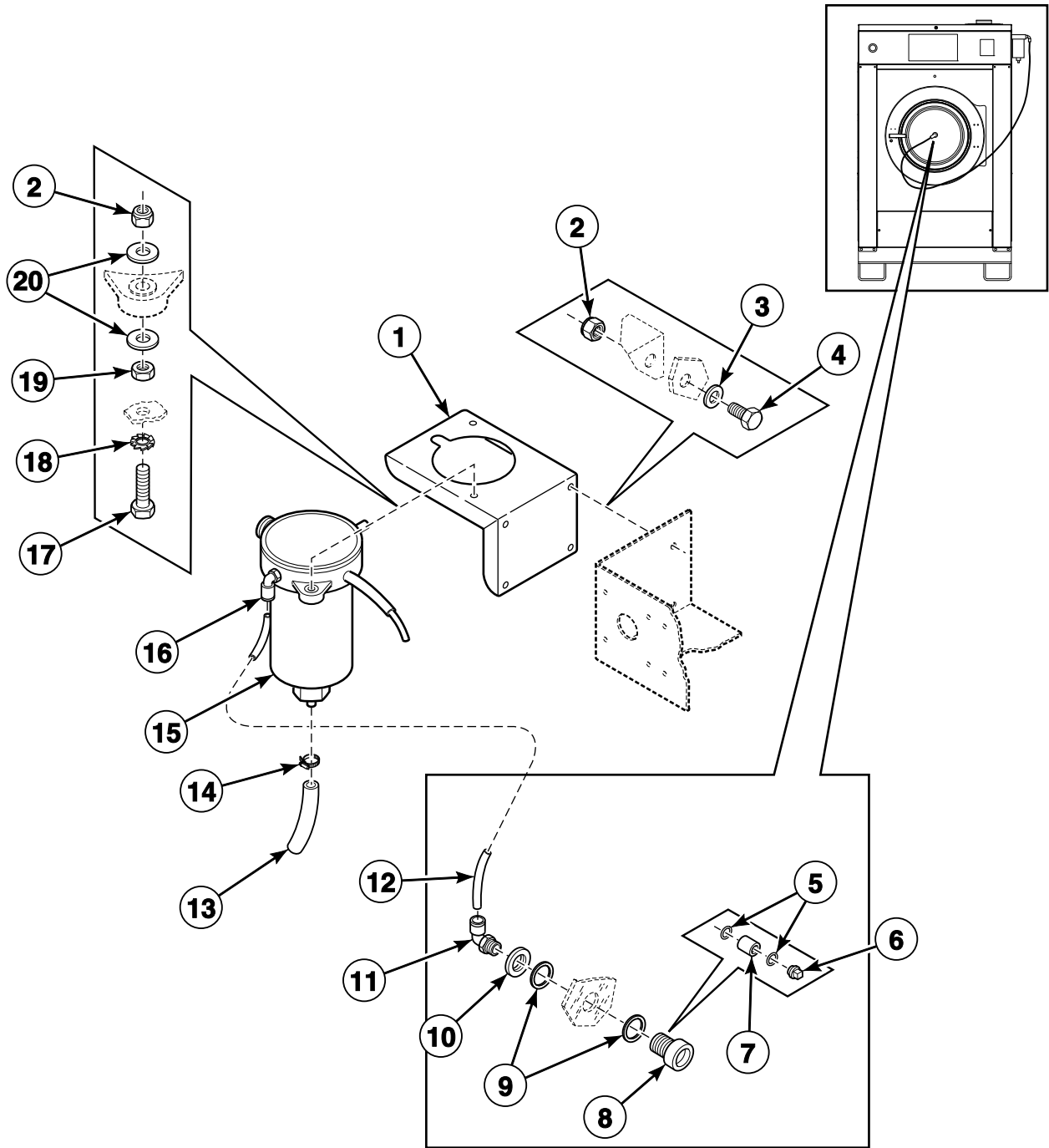


CFD601P_D1360

Steam and Electric Heating Options

REF	PART NO.	DESCRIPTION	COMMENTS
	B12381301	Heating Contactor	Electric heat; Q-voltage; *75 and *305 models with C and P-voltage
	B12308001	Relay	Steam heat
	B12382302	Steam Valve Harness	
	B12348501	Branch Harness	Electric heat; N-voltage; *55 and *235 models with P-voltage
	B12348502	Branch Harness	Electric heat; C-voltage; *55 and *235 models
	B12348506	Branch Harness	Electric heat; Q-voltage; *75 and *305 models with C and P-voltage
	B12349601	Electric Heat Harness	Cygnus models
	B12349602	Electric Heat Harness	WE-8 models
	B12349701	Steam Heat Harness	Cygnus models
	B12349702	Steam Heat Harness	WE-8 models
	B12349801	Dual Heat Harness	Cygnus models
	B12349802	Dual Heat Harness	WE-8 models
	B12381204	Power Jumper Harness	Electric heat; Q-voltage; *55 and *235 models
	B12381203	Power Jumper Harness	Electric heat; Q-voltage; *75 and *305 models
	B12455804	Heat Harness	Electric heat; 1; Q-voltage; *75 and *305 models with C and P-voltage
	B12455805	Heat Harness	Electric heat; 2; Q-voltage; *75 and *305 models with C and P-voltage
	B12455904	Heat Harness	Electric heat; 1; N-voltage; *55 and *235 models with C and P-voltage
	B12455905	Heat Harness	Electric heat; 2; N-voltage; *55 and *235 models with C and P-voltage
1	209/00581/10	Heating Element	4 kW; 380 Volt; C, N and P-voltage; *75 and *305 models
	209/00562/20	Heating Element	3 kW; 240 Volt; Q-voltage; *55 and *235 models with C, N and P-voltage
2	F360202	Heating Element Plug	

Spray Pump



CFD630P_D1360

Spray Pump

REF	PART NO.	DESCRIPTION	COMMENTS
1	111/10179/00	Spray Pump Mounting Plate	
2	204/00009/00	Nut	
3	201/00007/00	Washer	
4	205/00107/00	Bolt	
5	223/00177/00	O-Ring	
6	223/00178/00	Soap Injector Orifice	
7	211/00126/00	Soap Injector Orifice Nipple	
8	211/00127/00	Soap Injector Connector	
9	223/00176/00	O-Ring	
10	211/10106/00	Nut	
11	223/00182/00	Soap Injector Coupling	
12	223/00180/00	Soap Injector Hose	
13	223/00179/10	Pressure Hose	
14	F140605	Cable Tie	
15	209/00369/00	Liquid Soap Spray Pump	
16	223/00181/00	Soap Injector Elbow Coupling	
17	205/00103/00	Bolt	
18	203/00004/00	Washer	
19	204/00106/00	Nut	
20	202/00101/00	Washer	