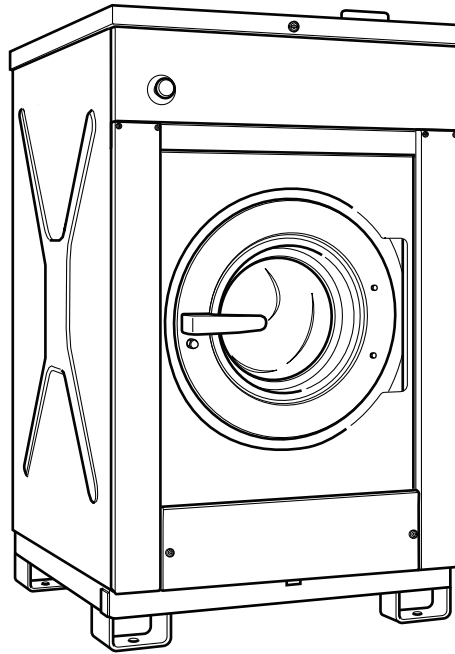


Washer-Extractor

Cabinet Freestanding
Refer to Page 3 for Model Numbers



CFD30C_D1578

Model Identification

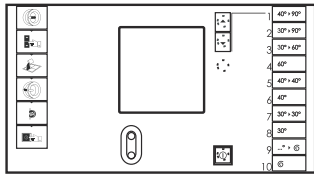
Information in this manual is applicable to these washer-extractor models:

| | |
|-----------------------|----------------|
| HD195_CYGNUS-COMM | IXW195C |
| HD195_CYGNUS-PREM | IXW195X |
| HD195_CYGNUS-PRO | IXW195Y |
| HD195_CYGNUS-STANDARD | IXW195Z |
| HX45_WE-8 | IXZ195C |
| HXU195P | IXZ195X |
| IXG195C | IXZ195Y |
| IXG195X | IXZ195Z |
| IXG195Y | JXW195C |
| IXG195Z | JXW195Y |
| IXN195C | JXW195Z |
| IXN195X | SX045_STANDARD |
| IXN195Y | SX45_WE-8 |
| IXN195Z | SXE045C |
| IXU195C | SXU195P |
| IXU195X | UX45_WE-8 |
| IXU195Y | UXU195P |
| IXU195Z | |

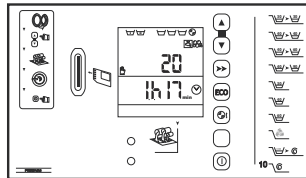
Cabinet Freestanding Washer-Extractor Product Overview

| | |
|---|-------------------------------------|
| Model No: IXU135XNCUOE | Serial No: 12090AE0036 |
| Volts: 380-415V | Type: HD135 |
| Hertz: 50(60)Hz | Capacity: 30/13.2 lbs/kg |
| Phase: 3+N | Water Pressure: 28-85 psi |
| Amps: 24.3 amps | Max Speed: 1000 rpm |
| Recommended Circuit Breaker: 25 amps | Net Weight: 788 lbs / 358 kg |
| Electrical Heating: 12-14. kW | IPX4 |
| Steam Heat: N/A psi / N/A bar | sfc 807393 |
| Sound Level: 62/73 dBA | |

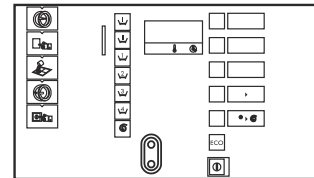
Alliance International BVBA
 Nieuwstraat 146
 8560 Wevelgem
 Belgium
 Tel: +32 56 41 20 54
 Fax: +32 56 41 86 74
 www.ipsob.be
 Country of origin: Belgium



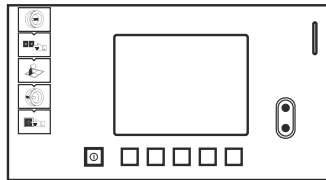
Cygnus Premium Coin



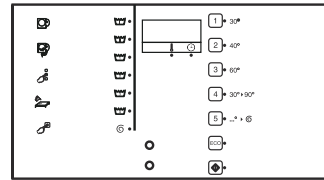
Cygnus Premium OPL



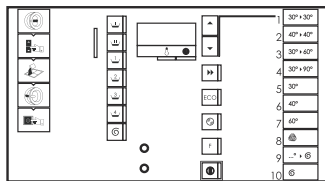
Cygnus Standard OPL



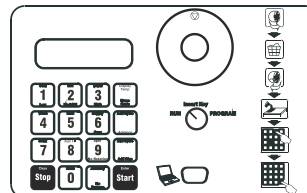
Cygnus Professional



Standard



Cygnus Commercial



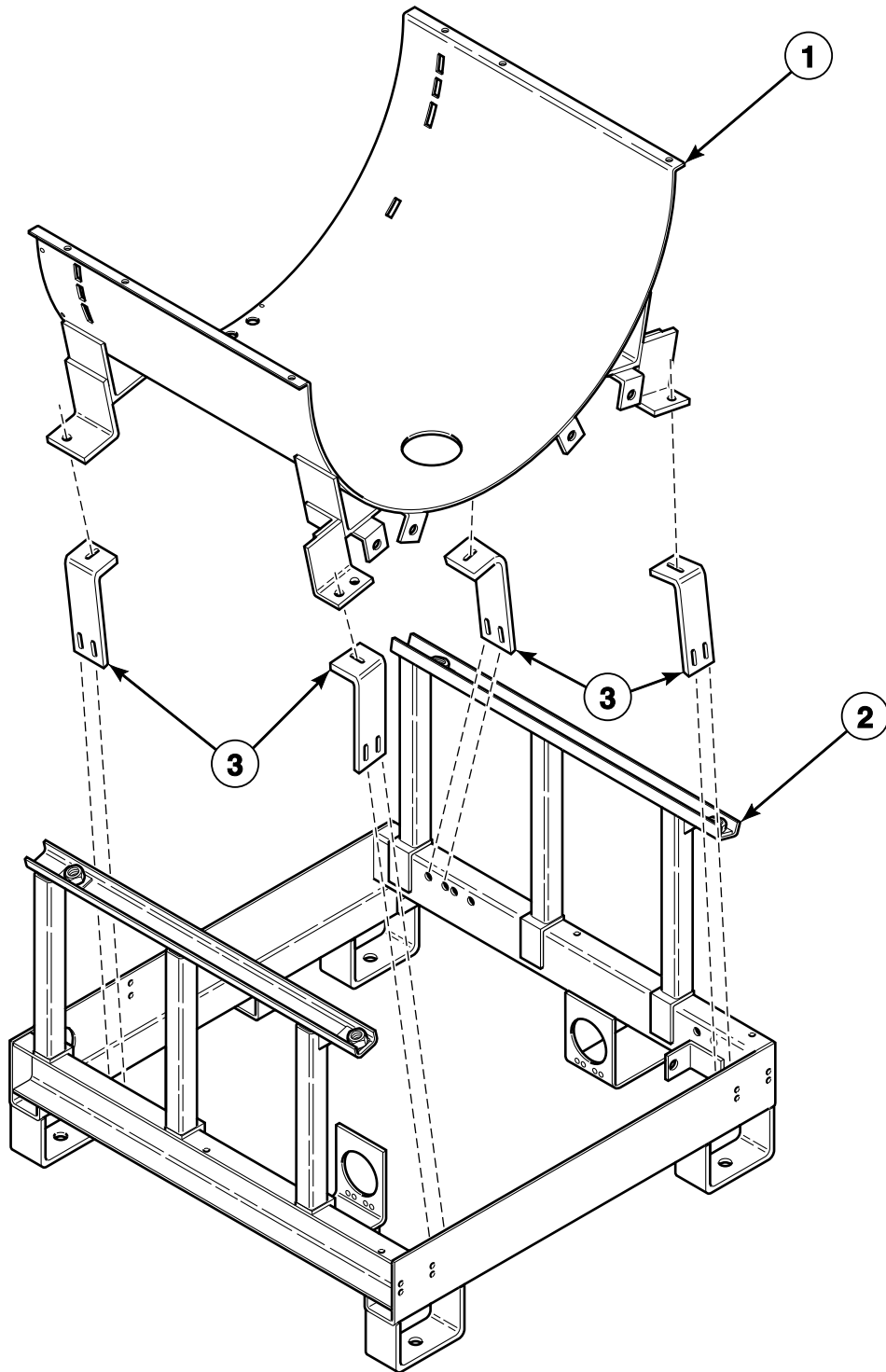
WE-8

CFD2465P_D1578

Cabinet Freestanding Washer-Extractor Product Overview

| REF | PART NO. | DESCRIPTION | COMMENTS |
|-----|----------|----------------|---|
| 1 | - | Product Family | CS CX DX HD HX IS IX JX PX SX UX WX |
| 2 | - | Market | E (EU [CE] Pounds) G (GOS) N (US ETL/ETL[C]) R (US ETL/ETL[C]) U (EU [CE]) W (EU [CE] WRAS) Z (No Agency Int.) |
| 3 | - | Capacity | 45 195 |
| 4 | - | Control | C (Cygnus Standard and STANDARD) P (WE-8) X (Cygnus Commercial) Y (Cygnus Premium) Z (Cygnus Professional) |
| 5 | - | Actuation | C (Single coin drop) D (Dual coin drop) E (Electronic coin drop) L (Central pay pulses) N (OPL) S (Central pay serial comm) Y (Prep for card) |
| 6 | - | Speed | H (High Speed) |
| 7 | - | Voltage | C (380-415V/50/60 Hertz/3Ph-4W [L1, L2, L3, N]) N (440-480V/50/60 Hertz/3Ph-3W [L1, L2, L3]) P (380-415V/50/60 Hertz/3Ph-3W [L1, L2, L3]) Q (200-208/220-240V/50/60 Hertz/3Ph-3W [L1, L2, L3]) X (200-208/220-240V/50/60 Hertz/1Ph-2W [L1, N] or 2W [L1, L2]) |
| 8 | - | Cabinet | 1 (Stainless steel side panels) U (Standard) |
| 9 | - | Design | 1 |

Frame

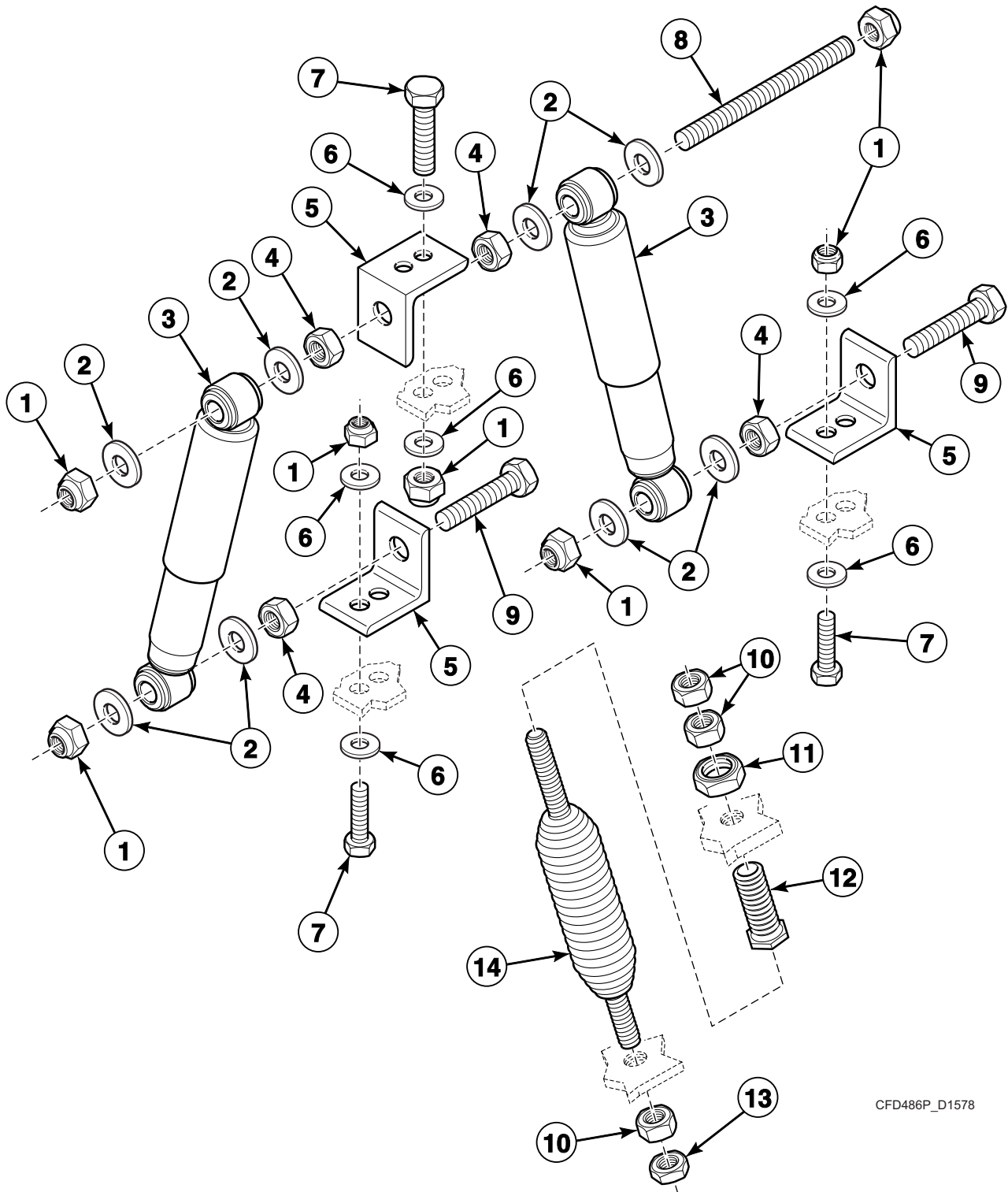


CFD593P_D1578

Frame

| REF | PART NO. | DESCRIPTION | COMMENTS |
|-----|--------------|-------------------|----------|
| 1 | B12512701 | Tub Support Frame | |
| 2 | B12512301 | Base Assembly | |
| 3 | 114/00024/00 | Shipping Brace | |

Shock and Spring Assembly

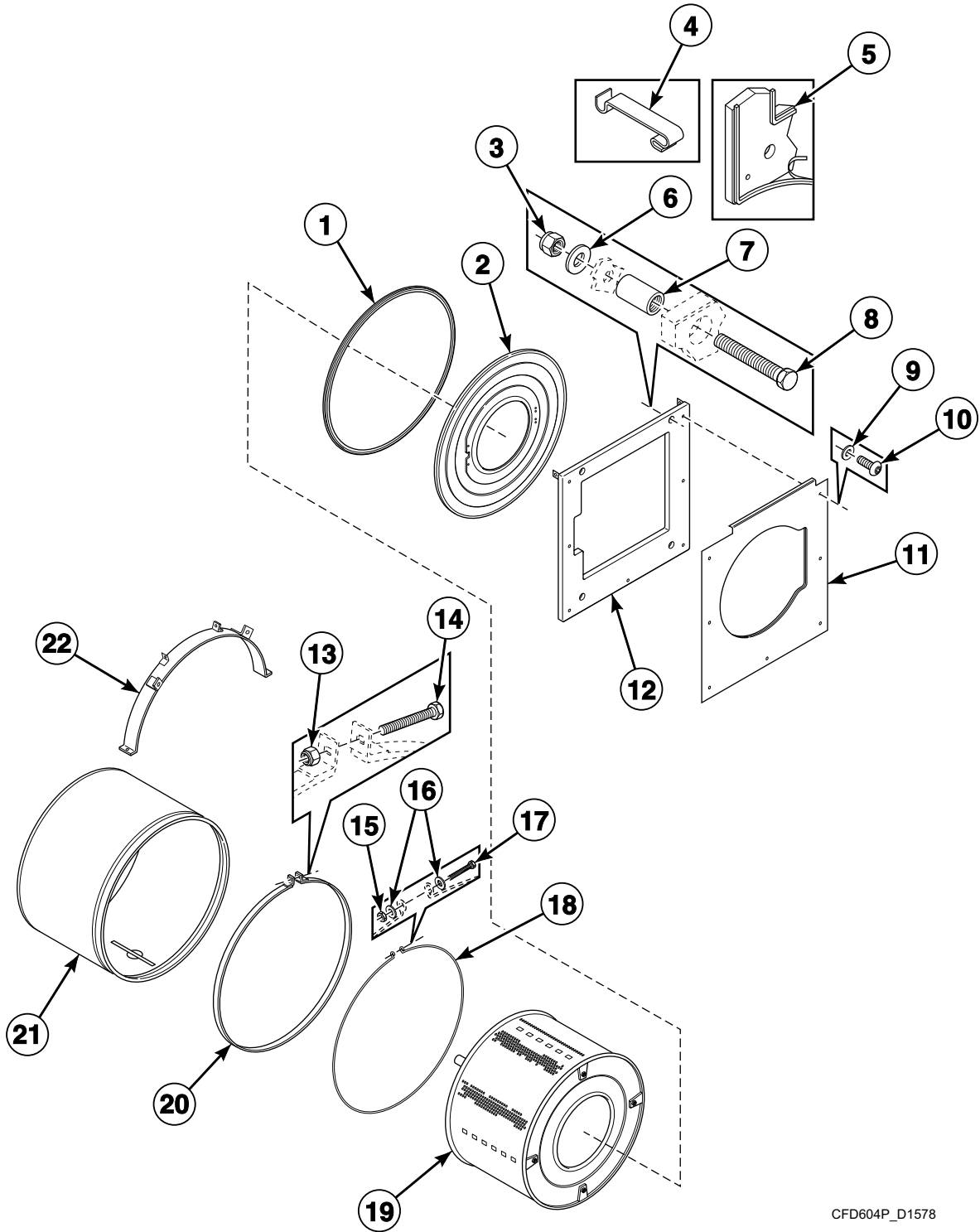


CFD486P_D1578

Shock and Spring Assembly

| REF | PART NO. | DESCRIPTION | COMMENTS |
|-----|--------------|----------------------------|--|
| | B12419101 | Shock Absorber Service Kit | Includes items 1-3, 5, 6 and 8-10, 206/00119/00 Bolt, 204/00110/00 Nut, 111/10101/00 Dispenser Front Mounting Plate, 111/10102/00 Dispenser Rear Mounting Plate, 206/00027/00 Bolt, 202/00004/00 Washer, 204/00114/00 Nut, B12419501 Small Caliber and B12419401 Large Caliber |
| 1 | 204/00113/00 | Nut | |
| 2 | 201/00001/00 | Washer | |
| 3 | 247/00008/00 | Shock Absorber | |
| 4 | 204/00012/00 | Nut | |
| 5 | B12418401 | Support | |
| 6 | 201/00010/00 | Washer | |
| 7 | 206/00087/00 | Bolt | |
| 8 | B12511601 | Threaded Rod | |
| 9 | 206/00153/00 | Bolt | |
| 10 | 204/00012/00 | Nut | |
| 11 | 204/00016/00 | Nut | |
| 12 | 224/00046/00 | Bolt | |
| 13 | 204/00019/00 | Nut | |
| 14 | B12456301 | Suspension Spring | |

Tub and Drum

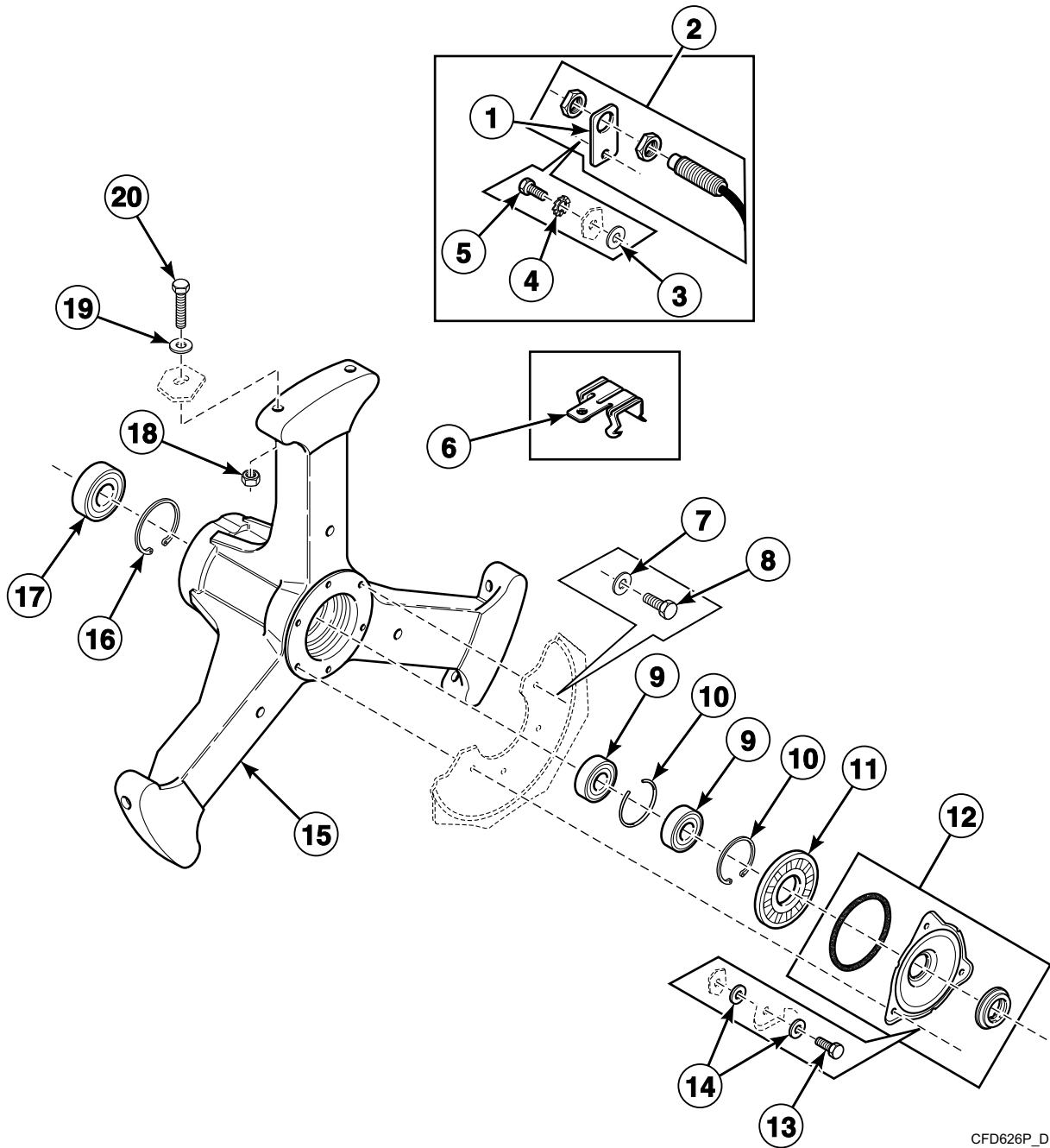


CFD604P_D1578

Tub and Drum

| REF | PART NO. | DESCRIPTION | COMMENTS |
|-----|--------------|--------------------------|---------------------------|
| 1 | B12351601 | Tub Front Gasket | |
| 2 | 138/00001/00 | Tub Front | |
| 3 | 204/00113/00 | Nut | |
| 4 | 217/00008/00 | Tub Front Panel Clip | |
| 5 | 246/00092/00 | Gasket | Per meter |
| 6 | 201/00001/00 | Washer | |
| 7 | 115/00151/00 | Spacer | |
| 8 | 206/00071/00 | Bolt | |
| 9 | 202/00112/00 | Washer | |
| 10 | 205/00103/00 | Bolt | |
| 11 | 111/05015/00 | Door Front Panel | |
| 12 | 115/00140/00 | Counterweight | |
| 13 | 204/00111/00 | Nut | |
| 14 | 206/00066/00 | Bolt | |
| 15 | 204/00009/00 | Nut | |
| 16 | 201/00007/00 | Washer | |
| 17 | 206/00032/00 | Bolt | |
| 18 | 238/00011/00 | Tub Clamp Ring | |
| 19 | B12527901 | Basket | |
| 20 | 137/00008/00 | Tub Mounting Strap | |
| 21 | B12528303 | Tub | Hot and cold water inlets |
| | B12528301 | Tub | Electric heat |
| | B12528304 | Tub | Steam heat |
| | B12528302 | Tub | Electric and steam heat |
| 22 | 115/00161/00 | Tub Front Mounting Strap | |

Bearing Assembly

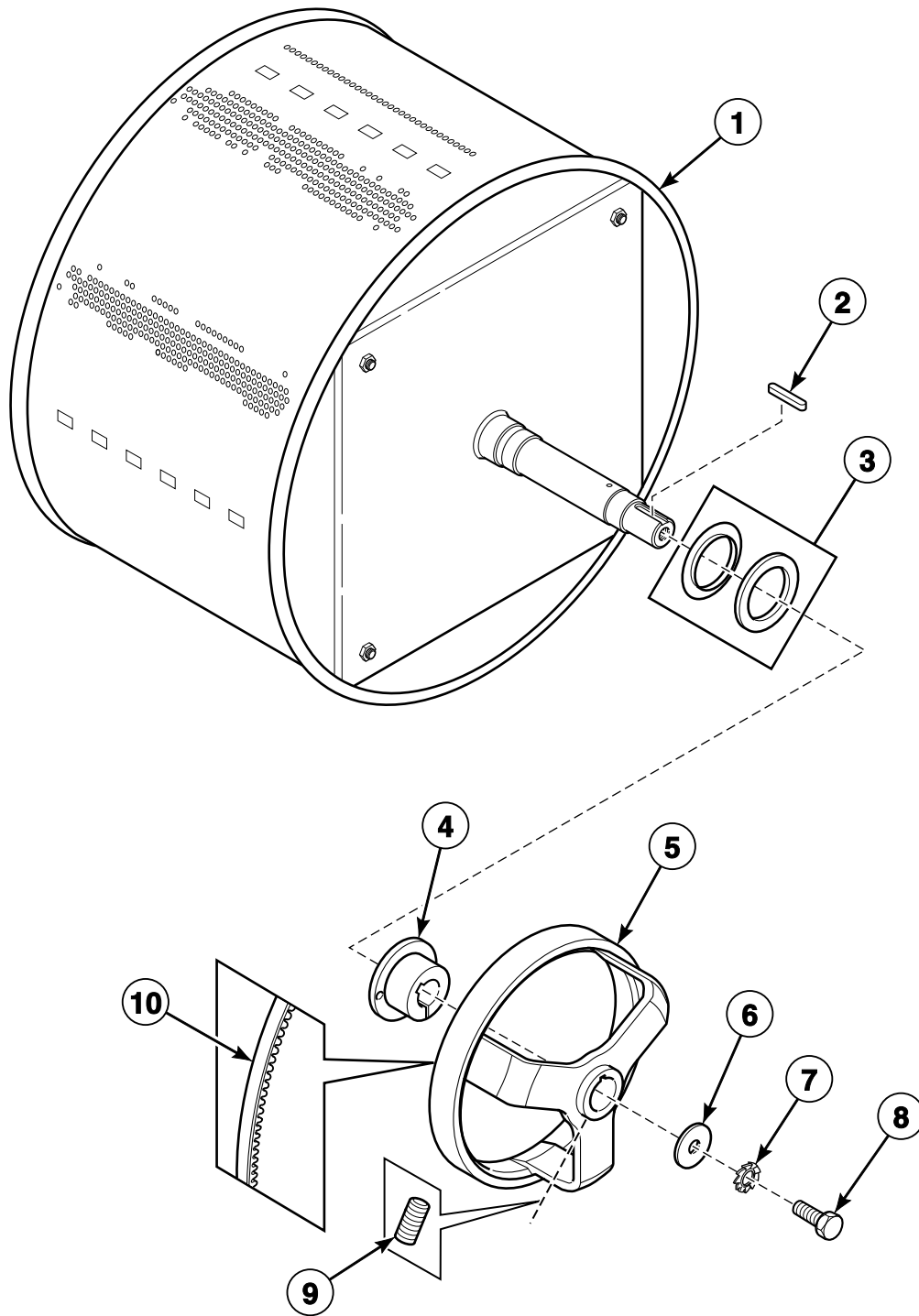


CFD626P_D1578

Bearing Assembly

| REF | PART NO. | DESCRIPTION | COMMENTS |
|-----------|--------------|------------------------------|--|
| | 3884P | Bearing and Seal Kit | Includes items 8, 10-13, 16, 219/00004/00 Counter Ring and 223/00242/00 Tub Front Gasket |
| | 381P3P | Bearing Replacement Tool Kit | Purchase |
| | 381P3-1 | Bearing Replacement Tool Kit | Rental; Requires F407P4 Hardware Kit |
| | F407P4 | Hardware Kit | |
| 1 | 152/00055/00 | Speed Detector Bracket | |
| 2 | 210/00074/00 | Speed Detector | Includes item 1 |
| 3 | 202/00003/00 | Washer | |
| 4 | 203/00004/00 | Washer | |
| 5 | 205/00104/00 | Bolt | |
| 6 | 224/00051/00 | Caddy Bracket | |
| | 224/00052/00 | Caddy Bracket | |
| 7 | 201/00201/00 | Washer | |
| 8 | 206/00014/00 | Bolt | |
| 9 | 212/00004/00 | Ball Bearing | |
| 10 | 212/00006/00 | Retainer Ring | |
| 11 | B12332301 | Lip Seal | |
| 12 | B12333701 | Seal Plate Assembly | |
| 13 | 205/00102/00 | Bolt | |
| 14 | 201/00102/00 | Washer | |
| 15 | 139/10006/00 | Bearing Housing Assembly | |
| 16 | 212/00037/00 | Retainer Ring | |
| 17 | F100134 | Bearing | |
| 18 | 204/00113/00 | Nut | |
| 19 | 201/00001/00 | Washer | |
| 20 | 248/00114/00 | Bolt | |

Basket, Pulley and Belt

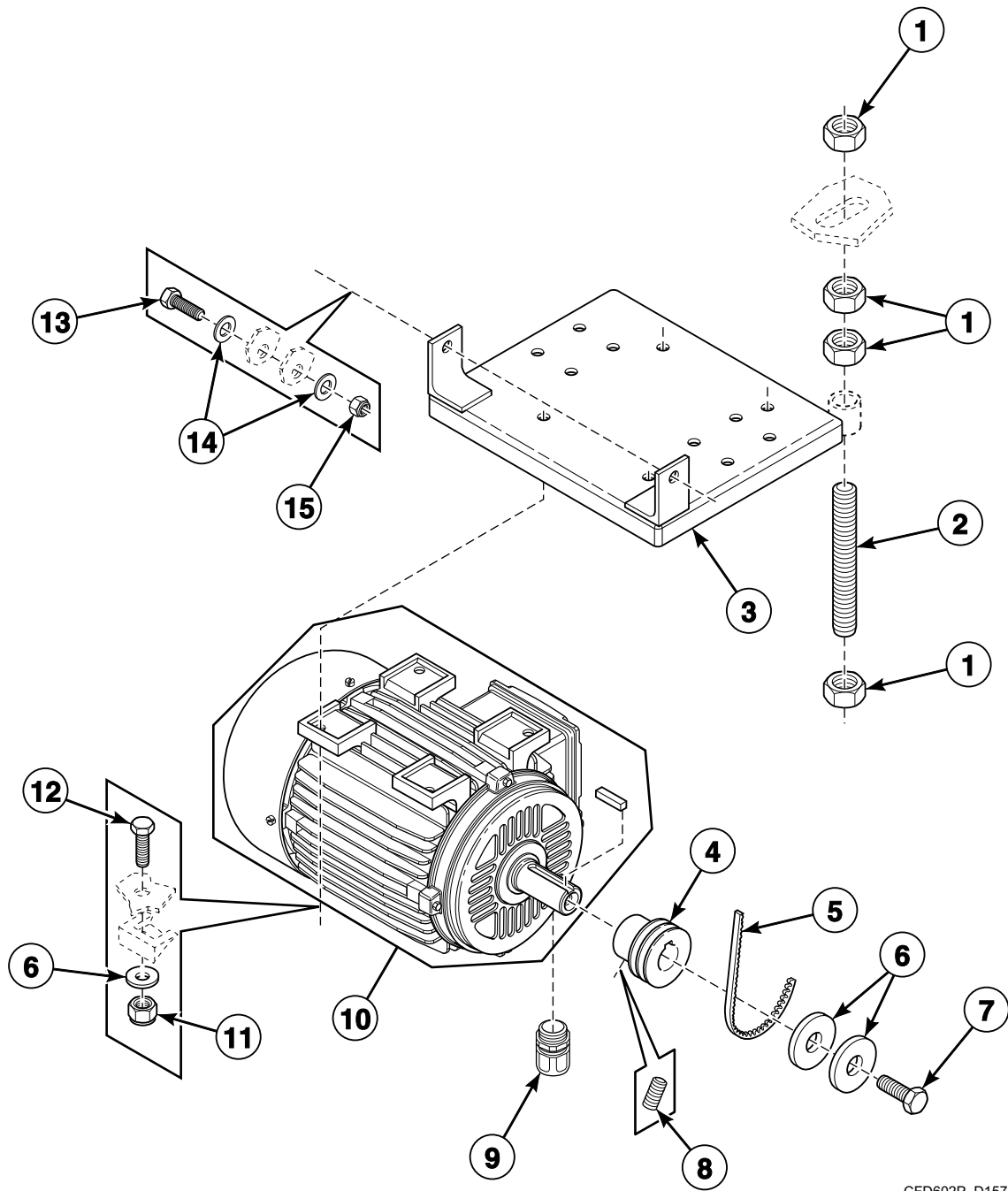


CFD637P_D1578

Basket, Pulley and Belt

| REF | PART NO. | DESCRIPTION | COMMENTS |
|-----|--------------|--------------|----------|
| 1 | B12527901 | Basket | |
| 2 | 212/00026/00 | Key | |
| 3 | 219/00004/00 | Counter Ring | |
| 4 | 239/00013/00 | Pulley | |
| 5 | 226/00148/00 | Pulley | |
| 6 | 201/00011/00 | Washer | |
| 7 | 203/00001/00 | Washer | |
| 8 | 206/00004/00 | Bolt | |
| 9 | 206/00056/00 | Screw | |
| 10 | 226/00149/00 | Belt | |

Motor

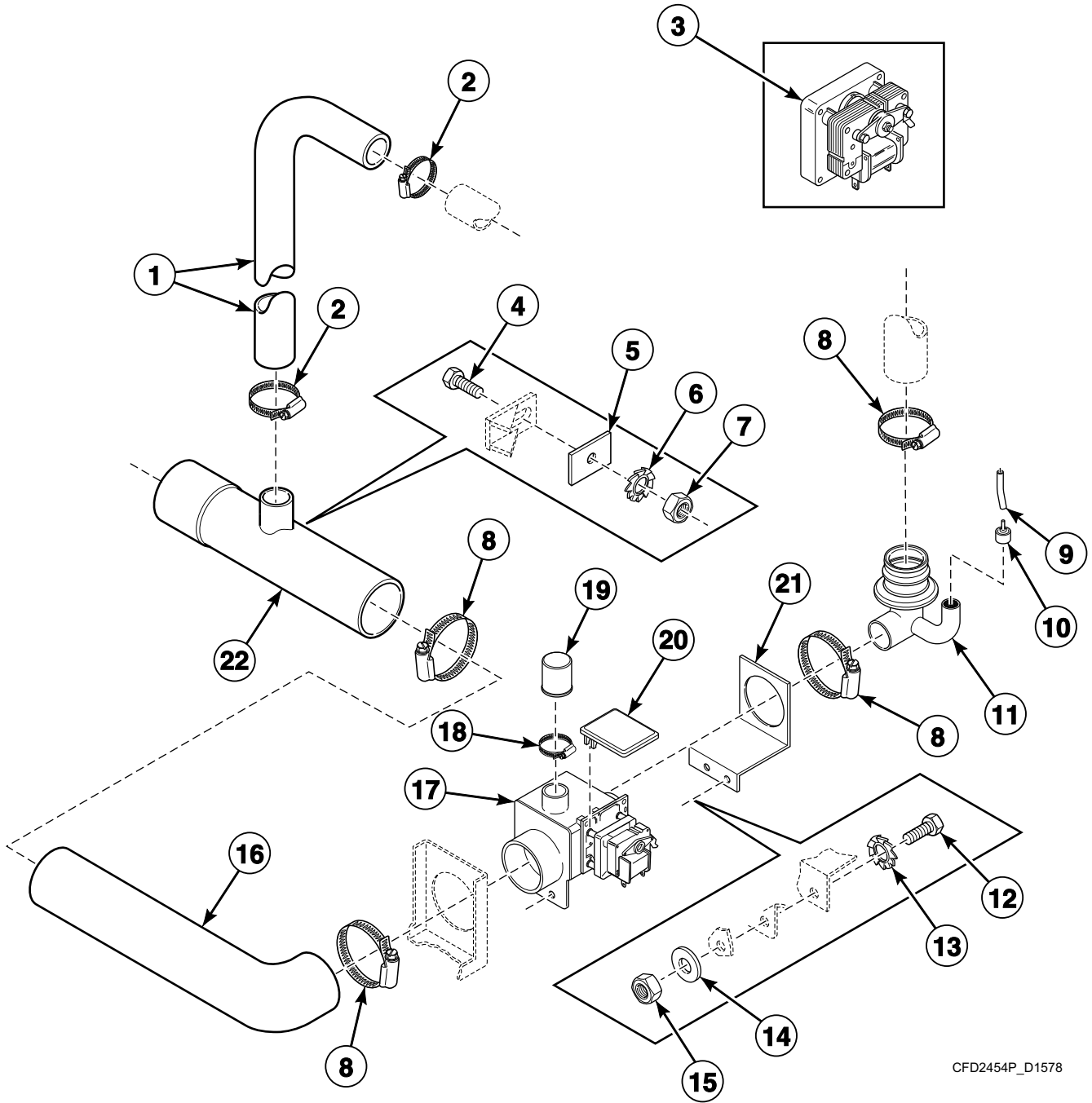


CFD602P_D1578

Motor

| REF | PART NO. | DESCRIPTION | COMMENTS |
|-----|--------------|---------------|--------------------------------------|
| | B12382103 | Motor Harness | |
| 1 | 204/00019/00 | Nut | |
| 2 | B12511601 | Threaded Rod | |
| 3 | 115/10126/00 | Motor Plate | |
| 4 | 185/00086/00 | Pulley | |
| 5 | 226/00149/00 | Belt | |
| 6 | 201/00004/00 | Washer | |
| 7 | 206/00006/00 | Bolt | |
| 8 | 206/00049/00 | Screw | |
| 9 | 211/00183/00 | Nut | |
| 10 | B12527801 | Motor | 3 kW; 230 or 400 Volt/50 or 60 Hertz |
| 11 | 204/00111/00 | Nut | |
| 12 | 206/00003/00 | Bolt | |
| 13 | 206/00072/00 | Bolt | |
| 14 | 201/00002/00 | Washer | |
| 15 | 204/00113/00 | Nut | |

Drain Assembly

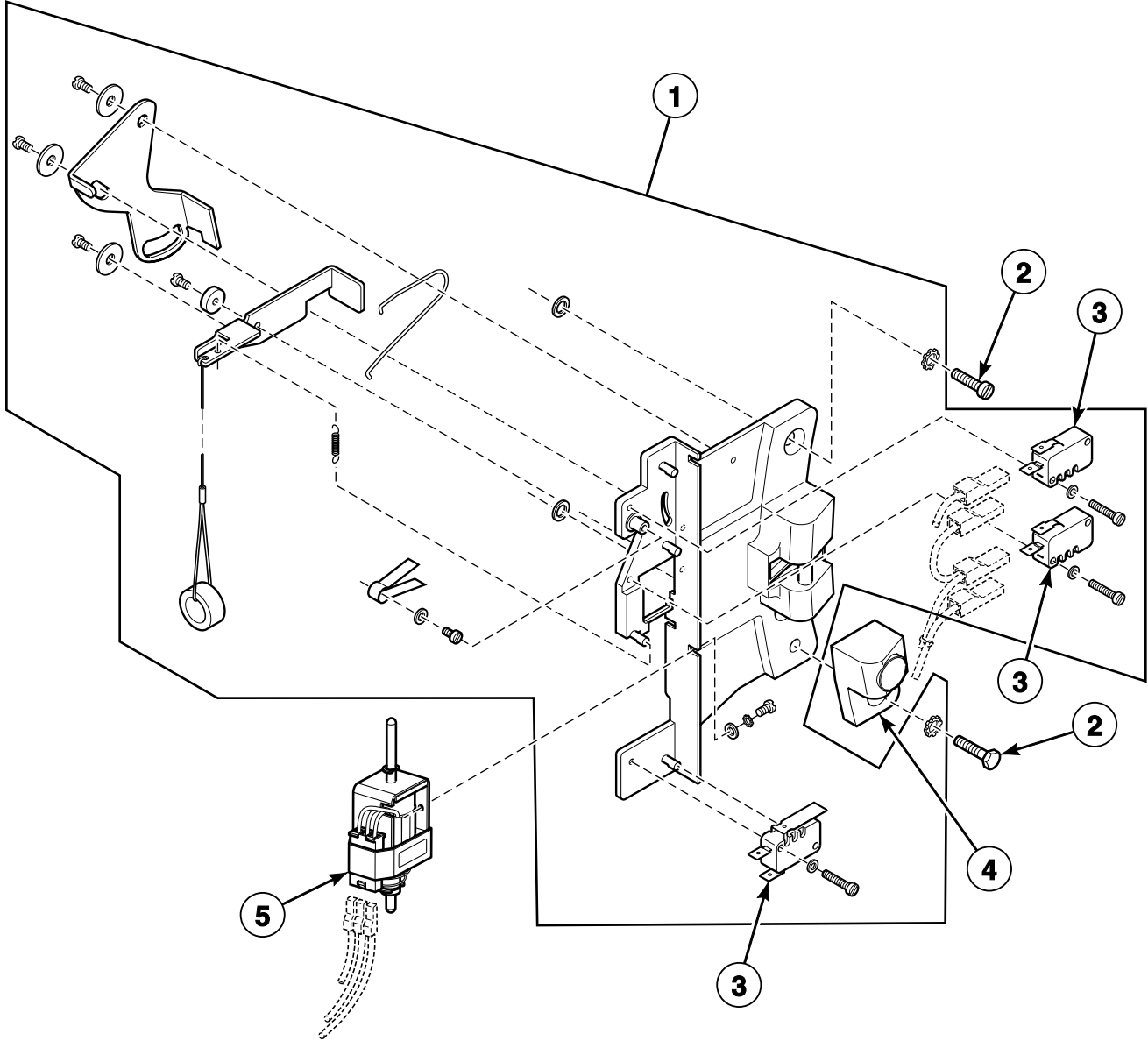


CFD2454P_D1578

Drain Assembly

| REF | PART NO. | DESCRIPTION | COMMENTS |
|-----|--------------|--------------------------------|----------------------------|
| | B12495801 | Drain Valve Fuse Harness | WE-8 models |
| | B12428201 | Dual Drain Kit | Cygnus and STANDARD models |
| | B12349401 | Drain Valve Harness | |
| 1 | 223/00131/00 | Overflow Hose | |
| 2 | 223/00013/00 | Hose Clamp | |
| 3 | 209/00051/11 | Drain Valve Motor | |
| 4 | 205/00103/00 | Bolt | |
| 5 | 101/00007/00 | Outlet Pipe Plate Assembly | |
| 6 | 203/00004/00 | Washer | |
| 7 | 204/00106/00 | Nut | |
| 8 | 223/00071/00 | Hose Clamp | |
| 9 | 223/00333/00 | Pressure Hose | |
| 10 | 223/00035/02 | Pressure Switch Cap | |
| 11 | B12403201 | Drain Tub to Drain Valve Hose | |
| 12 | 206/00009/00 | Bolt | |
| 13 | 203/00003/00 | Washer | |
| 14 | 202/00002/00 | Washer | |
| 15 | 204/00004/00 | Nut | |
| 16 | 223/00328/00 | Drain Valve to Drain Tube Hose | |
| 17 | 209/00075/00 | Drain Valve | |
| 18 | 223/00012/00 | Hose Clamp | |
| 19 | 223/00086/00 | Drain Valve Overflow Plug | |
| 20 | 223/00225/00 | Drain Valve Cover | |
| 21 | 114/00010/00 | Drain Valve Plate Assembly | |
| 22 | 223/00106/00 | Drain Pipe | |

Door Lock

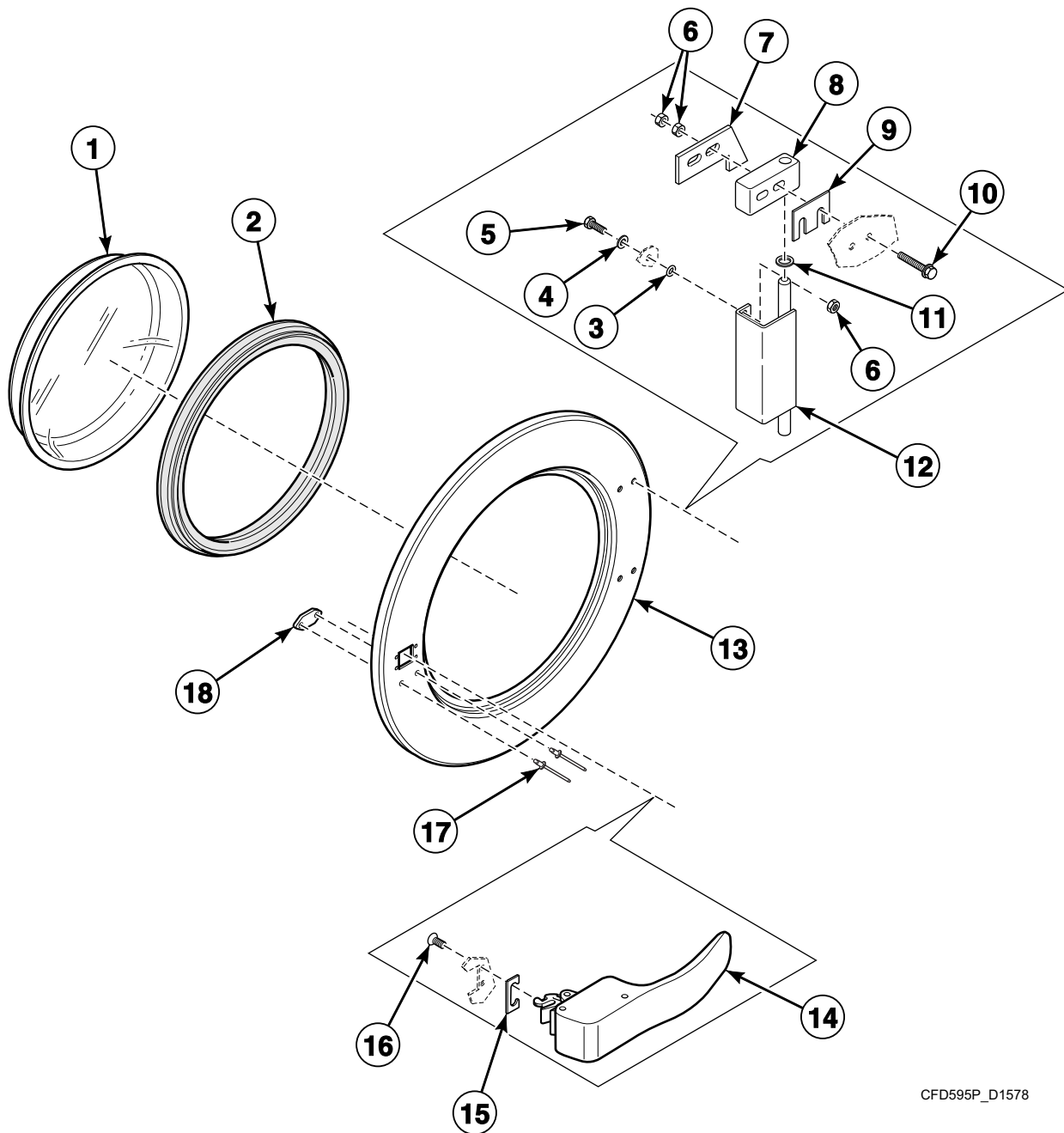


CHM3240P_D1578

Door Lock

| REF | PART NO. | DESCRIPTION | COMMENTS |
|-----|--------------|------------------------|---|
| | B12495002 | Door Lock Harness | WE-8 models |
| | B12495001 | Door Lock Harness | All other models |
| 1 | B12517701 | Door Lock Assembly | Includes item 4 |
| 2 | 207/00102/00 | Screw | |
| 3 | 209/00273/00 | Microswitch | |
| 4 | B12517601 | Reed Switch Holder | Includes F8080405 Reed Switch Harness and B12502001 Reed Switch |
| 5 | B12518101 | Door Solenoid Assembly | |

Door

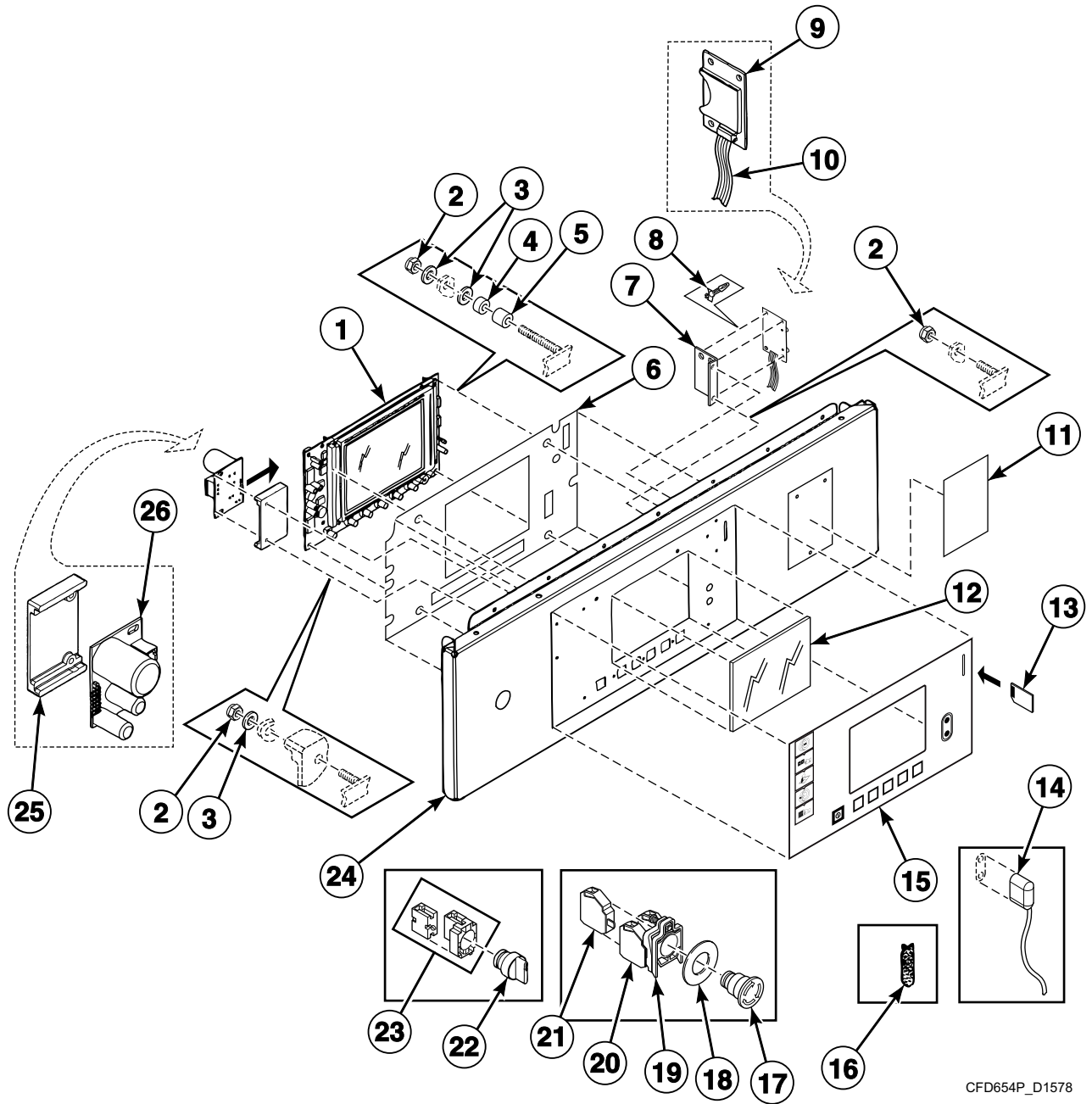


CFD595P_D1578

Door

| REF | PART NO. | DESCRIPTION | COMMENTS |
|-----|--------------|---------------------------|------------|
| 1 | B12449801 | Door Glass | |
| 2 | 223/00068/00 | Door Glass Seal | |
| 3 | 217/00021/00 | O-Ring | |
| 4 | 202/00101/00 | Washer | |
| 5 | 205/00104/00 | Bolt | |
| 6 | 204/00106/00 | Nut | |
| 7 | B12565001 | Door Hinge Blocking Plate | |
| 8 | 253/00022/00 | Door Hinge Block | |
| 9 | 118/00122/00 | Door Hinge Spacer | 1.5 mm |
| | 118/00124/00 | Door Hinge Spacer | 2 mm |
| 10 | 207/00126/00 | Screw | |
| 11 | 202/00104/00 | Washer | |
| 12 | 221/00004/00 | Hinge | Fixed part |
| 13 | B12337201 | Door Frame | |
| 14 | B12336301 | Door Handle | Black |
| | B12336302 | Door Handle | Gray |
| 15 | 217/00016/00 | Door Handle Stop | |
| 16 | B12500801 | Screw | |
| 17 | B12500301 | Rivet | |
| 18 | B12389701 | Magnet | |

Control Panel - Cygnus Professional

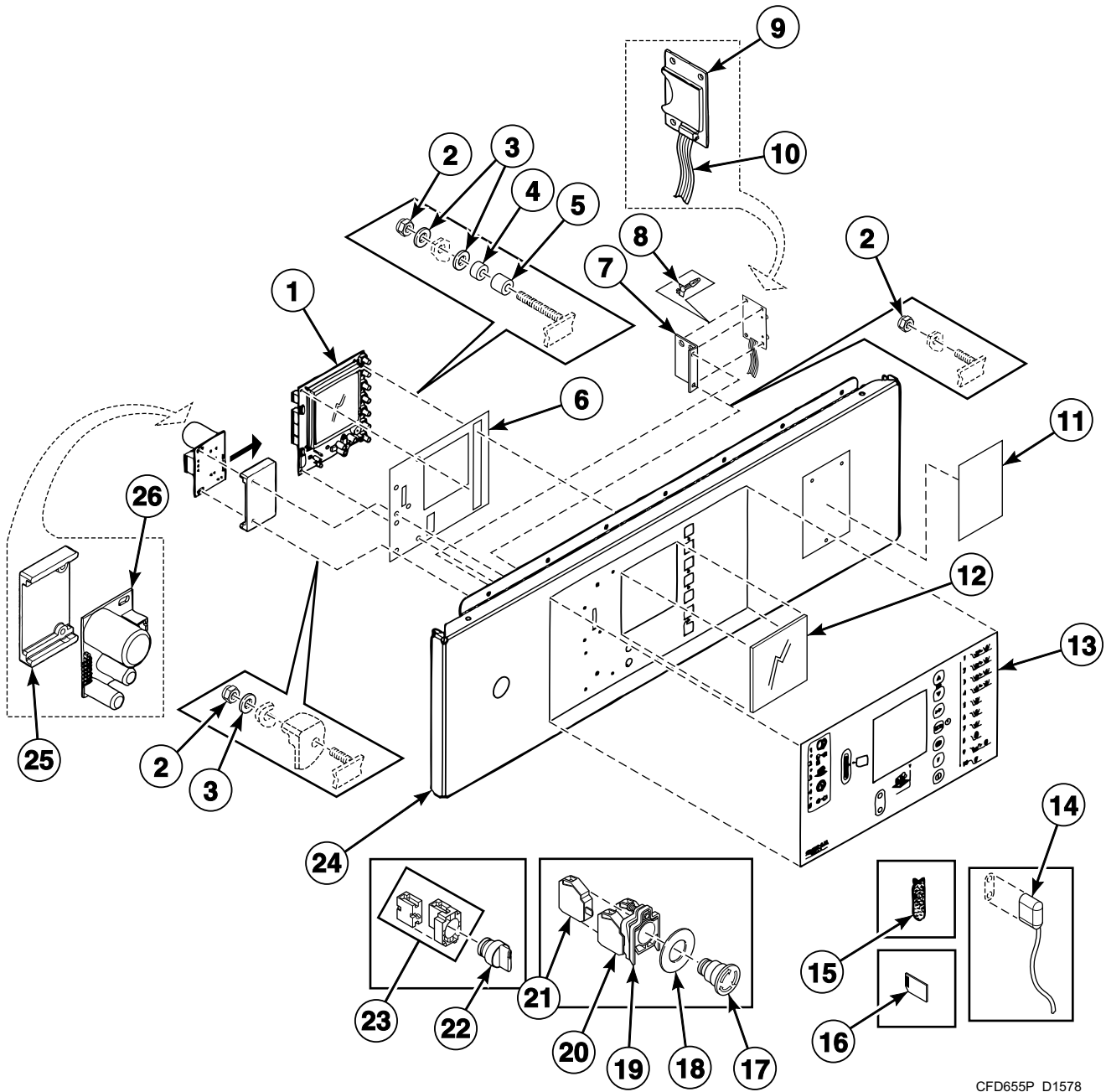


CFD654P_D1578

Control Panel - Cygnus Professional

| REF | PART NO. | DESCRIPTION | COMMENTS |
|-----|---------------|---------------------------|---|
| | B12348901 | E-Stop Harness | |
| 1 | 209/02002/ZB2 | Display PC-Board | |
| 2 | 204/00116/00 | Nut | |
| 3 | 223/00123/00 | Washer | |
| 4 | 211/00128/00 | Printboard Separator | |
| 5 | 211/00122/00 | Standoff | |
| 6 | 229/00268/00 | Insulating Sticker | |
| 7 | 111/01893/00 | Printboard Support Card | Optional |
| 8 | 211/00145/00 | Standoff | |
| 9 | B12305201 | Memory Card PC-Board | Optional |
| 10 | B12538301 | Data Card Ribbon Assembly | Optional |
| 11 | B12389801 | Nameplate | Models HD195_CYGNUS-PRO, IXG195Z, IXN195Z, IXU195Z, IXW195Z and IXZ195Z |
| | B12530806 | Nameplate | Model JXW195Z |
| 12 | 225/00321/00 | Plexi Frame | |
| 13 | 209/02024/00 | Datacard | |
| 14 | 210/00902/00P | Infrared Cable Kit | |
| 15 | B12583501 | Operating Sticker | Models HD195_CYGNUS-PRO, IXG195Z, IXN195Z, IXU195Z, IXW195Z and IXZ195Z |
| | B12383601 | Operating Sticker | Models HD195_CYGNUS-PRO, IXG195Z, IXN195Z, IXU195Z, IXW195Z and IXZ195Z; Without datacard opening |
| | B12383701 | Operating Sticker | Models HD195_CYGNUS-PRO, IXG195Z, IXN195Z, IXU195Z, IXW195Z and IXZ195Z; With datacard opening |
| | B12532001 | Operating Sticker | Model JXW195Z |
| 16 | 223/00348/00 | Datacard Cover | |
| 17 | 209/00248/20 | Mushroom Pushbutton | |
| 18 | 209/00520/00 | Telem Sticker | |
| 19 | B12491801 | Contact Harness | |
| 20 | 209/00029/26 | Contact Switch | NC |
| 21 | 209/00099/26 | Contact Switch | NO |
| 22 | 209/00099/29 | Switch Knob | Dual heat |
| | B12523901 | Dual Heat Sticker | Dual heat |
| 23 | B12491701 | Contact Harness | Dual heat |
| 24 | B12384101 | Operating Panel | |
| 25 | 223/00374/00 | Mounting Plate | |
| 26 | B12388201 | Door Lock PC-Board | |

Control Panel - Cygnus Premium OPL

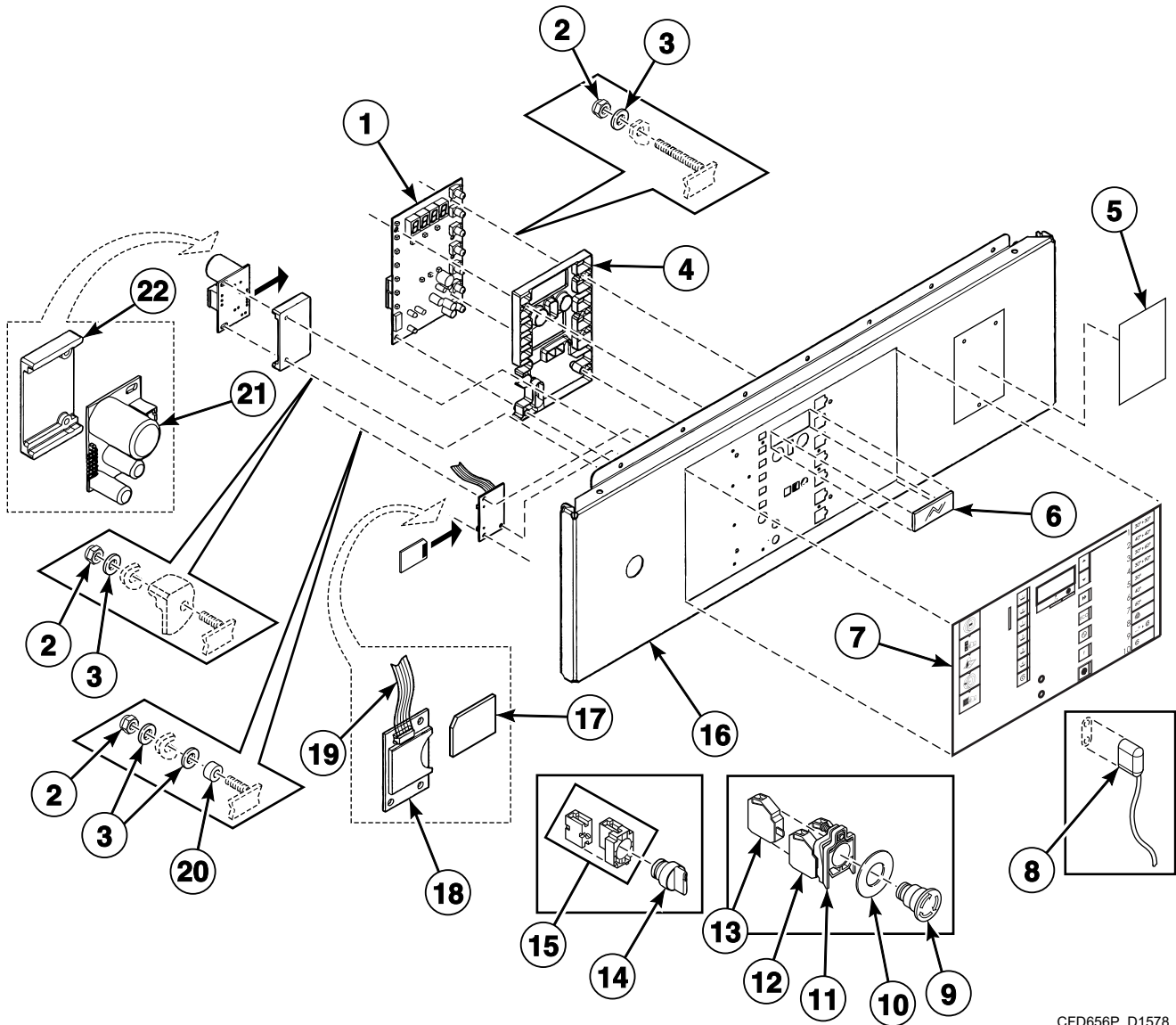


CFD655P_D1578

Control Panel - Cygnus Premium OPL

| REF | PART NO. | DESCRIPTION | COMMENTS |
|-----|---------------|---------------------------|--|
| | B12348901 | E-Stop Harness | |
| 1 | 209/02015/02 | Printboard | |
| 2 | 204/00116/00 | Nut | |
| 3 | 223/00123/00 | Washer | |
| 4 | 211/00128/00 | Printboard Separator | |
| 5 | 211/00122/00 | Standoff | |
| 6 | 229/00291/00 | Insulating Sticker | |
| 7 | 111/01893/00 | Printboard Support Card | Optional |
| 8 | 211/00145/00 | Standoff | |
| 9 | B12305201 | Memory Card PC-Board | Optional |
| 10 | B12538301 | Data Card Ribbon Assembly | Optional |
| 11 | B12389801 | Nameplate | Models HD195_CYGNUS-PREM, IXG195Y, IXN195Y, IXU195Y, IXW195Y and IXZ195Y |
| | B12389806 | Nameplate | Model JXW195Y |
| 12 | 225/00323/00 | Plexi Frame | |
| 13 | B12383401 | Operating Sticker | Models HD195_CYGNUS-PREM, IXG195Y, IXN195Y, IXU195Y, IXW195Y and IXZ195Y; With datacard opening |
| | B12383301 | Operating Sticker | Models HD195_CYGNUS-PREM, IXG195Y, IXN195Y, IXU195Y, IXW195Y and IXZ195Y; Without datacard opening |
| | B12531901 | Operating Sticker | Model JXW195Y; Non-ozone |
| | B12534801 | Operating Sticker | Model JXW195Y; Ozone |
| 14 | 210/00902/00P | Infrared Cable Kit | |
| 15 | 223/00348/00 | Datacard Cover | Models HD195_CYGNUS-PREM, IXG195Y, IXN195Y, IXU195Y, IXW195Y and IXZ195Y |
| 16 | 209/02024/00 | Datacard | Models HD195_CYGNUS-PREM, IXG195Y, IXN195Y, IXU195Y, IXW195Y and IXZ195Y |
| 17 | 209/00248/20 | Mushroom Pushbutton | |
| 18 | 209/00520/00 | Telem Sticker | |
| 19 | B12491801 | Contact Harness | |
| 20 | 209/00029/26 | Contact Switch | NC |
| 21 | 209/00099/26 | Contact Switch | NO |
| 22 | 209/00099/29 | Switch Knob | Dual heat |
| | B12523901 | Dual Heat Sticker | Dual heat |
| 23 | B12491701 | Contact Harness | Dual heat |
| 24 | B12384201 | Operating Panel | |
| 25 | 223/00374/00 | Mounting Plate | |
| 26 | B12388201 | Door Lock PC-Board | |

Control Panel - Cygnus Standard/Commercial OPL

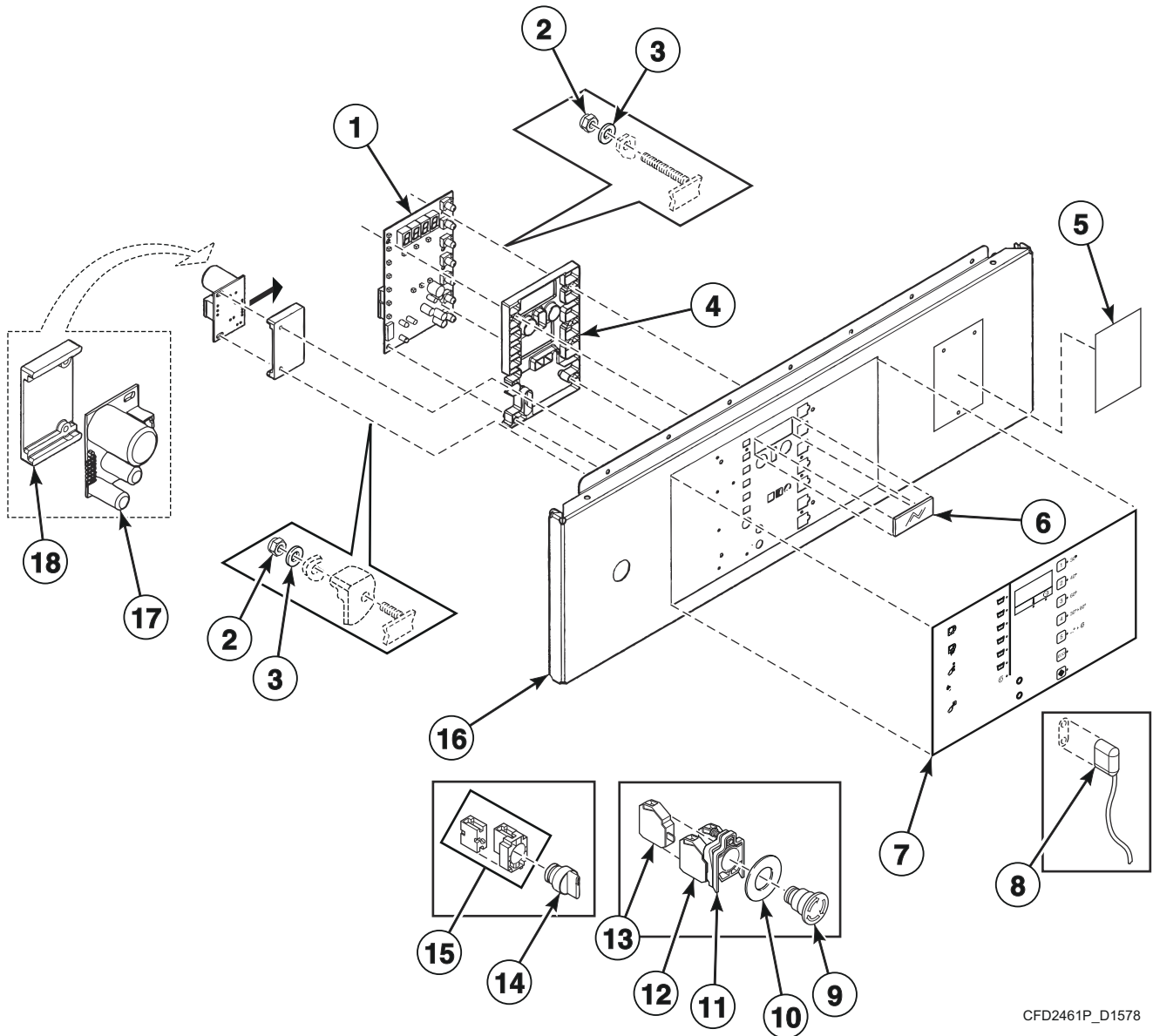


CFD656P_D1578

Control Panel - Cygnus Standard/Commercial OPL

| REF | PART NO. | DESCRIPTION | COMMENTS |
|-----|---------------|---------------------------|---|
| | B12348901 | E-Stop Harness | |
| 1 | 209/02001/02 | Printboard | |
| 2 | 204/00116/00 | Nut | |
| 3 | 223/00123/00 | Washer | |
| 4 | 223/00330/00 | Protection LED | |
| 5 | B12389801 | Nameplate | Models HD195_CYGNUS-STANDARD, IXG195C, IXN195C, IXU195C, IXW195C and IXZ195C |
| | B12389806 | Nameplate | Model JXW195C |
| 6 | 225/00322/00 | Plexi Frame | |
| 7 | B12382701 | Operating Sticker | Models HD195_CYGNUS-STANDARD, IXG195C, IXN195C, IXU195C, IXW195C, IXZ195C and JXW195C; Without datacard opening |
| | B12382801 | Operating Sticker | Models HD195_CYGNUS-STANDARD, IXG195C, IXN195C, IXU195C, IXW195C, IXZ195C and JXW195C; With datacard opening |
| | B12383001 | Operating Sticker | Models HD195_CYGNUS-COMM, IXG195X, IXN195X, IXU195X, IXW195X and IXZ195X; Without datacard opening |
| | B12383101 | Operating Sticker | Models HD195_CYGNUS-COMM, IXG195X, IXN195X, IXU195X, IXW195X and IXZ195X; With datacard opening |
| | B12531801 | Operating Sticker | Model JXW195C |
| 8 | 210/00902/00P | Infrared Cable Kit | |
| 9 | 209/00248/20 | Mushroom Pushbutton | |
| 10 | 209/00520/00 | Telem Sticker | |
| 11 | B12491801 | Contact Harness | |
| 12 | 209/00029/26 | Contact Switch | NC |
| 13 | 209/00099/26 | Contact Switch | NO |
| 14 | 209/00099/29 | Switch Knob | Dual heat |
| | B12523901 | Dual Heat Sticker | Dual heat |
| 15 | B12491701 | Contact Harness | Dual heat |
| 16 | B12385601 | Operating Panel | |
| 17 | 209/02024/00 | Datacard | Optional |
| 18 | B12305201 | Memory Card PC-Board | Optional |
| 19 | B12538301 | Data Card Ribbon Assembly | Optional |
| 20 | 211/00128/00 | Printboard Separator | |
| 21 | B12388201 | Door Lock PC-Board | |
| 22 | 223/00374/00 | Mounting Plate | |

Control Panel - STANDARD

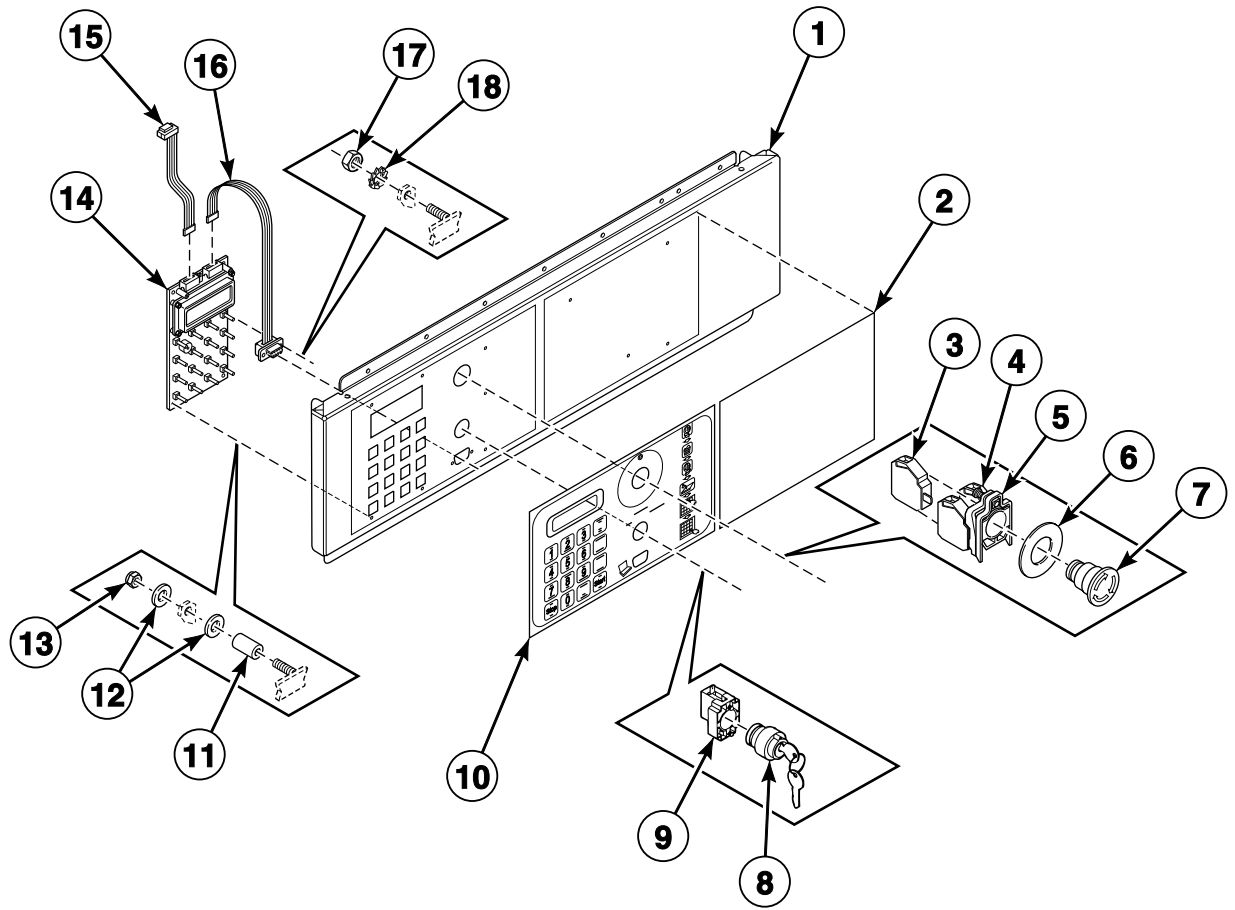


CFD2461P_D1578

Control Panel - STANDARD

| REF | PART NO. | DESCRIPTION | COMMENTS |
|-----|---------------|---------------------|-----------|
| | B12348901 | E-Stop Harness | |
| 1 | 209/02001/02 | Printboard | |
| 2 | 204/00116/00 | Nut | |
| 3 | 223/00123/00 | Washer | |
| 4 | 223/00330/00 | Protection LED | |
| 5 | B12389801 | Nameplate | |
| 6 | 225/00322/00 | Plexi Frame | |
| 7 | B12574901 | Overlay | |
| 8 | 210/00902/00P | Infrared Cable Kit | |
| 9 | 209/00248/20 | Mushroom Pushbutton | |
| 10 | 209/00520/00 | Telem Sticker | |
| 11 | B12491801 | Contact Harness | |
| 12 | 209/00029/26 | Contact Switch | NC |
| 13 | 209/00099/26 | Contact Switch | NO |
| 14 | 209/00099/29 | Switch Knob | Dual heat |
| | B12523901 | Dual Heat Sticker | Dual heat |
| 15 | B12491701 | Contact Harness | Dual heat |
| 16 | B12571901 | Control Panel | |
| 17 | B12388201 | Door Lock PC-Board | |
| 18 | 223/00374/00 | Mounting Plate | |

Control Panel - WE-8

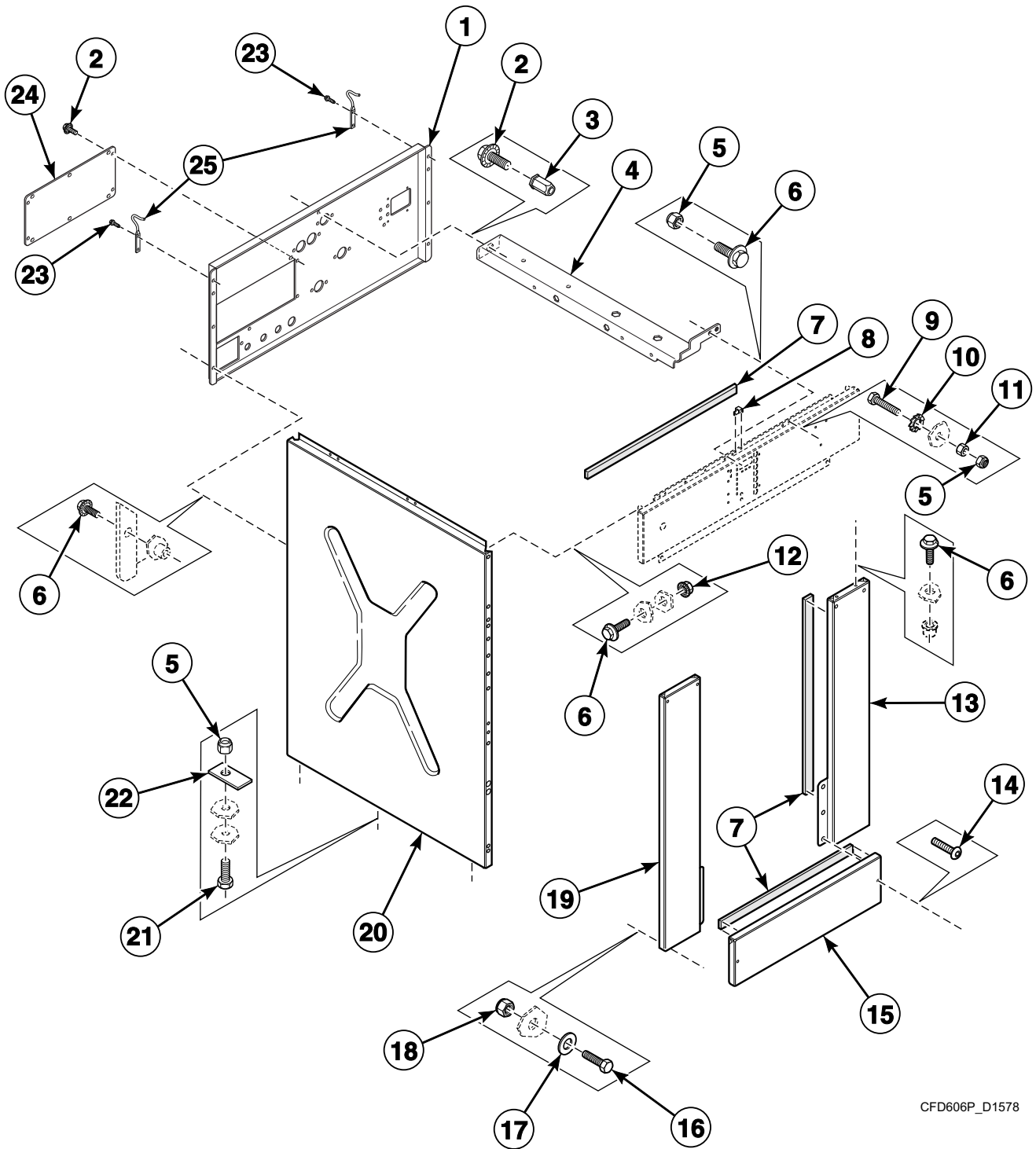


CFD657P_D1578

Control Panel - WE-8

| REF | PART NO. | DESCRIPTION | COMMENTS |
|-----|--------------|--------------------------------|------------------------------|
| | B12348902 | E-Stop Harness | |
| | B12348903 | E-Stop Drive Harness | |
| | B12495501 | Key Switch Harness | |
| | B12388302 | Ribbon Assembly | |
| 1 | B12436401 | Operating Panel | |
| 2 | F8435601 | Overlay | Models UX45_WE-8 and UXU195P |
| | 225/00435/00 | Overlay | Models SX45_WE-8 and SXU195P |
| | 225/00436/00 | Logo Decal | Models HX45_WE-8 and HXU195P |
| 3 | 209/00099/26 | Contact Switch | NO |
| 4 | 209/00029/26 | Contact Switch | NC |
| 5 | B12491801 | Contact Harness | |
| 6 | 209/00520/00 | Telem Sticker | |
| 7 | 209/00248/00 | Mushroom Pushbutton | |
| 8 | 209/00326/20 | Programming Key Contact Switch | |
| 9 | B12491701 | Contact Harness | |
| 10 | 225/00388/00 | Overlay | Control |
| 11 | 211/00140/00 | Spacer | |
| 12 | 223/00123/00 | Washer | |
| 13 | 204/00116/00 | Nut | |
| 14 | 209/00580/03 | Display | |
| 15 | B12388302 | Ribbon Assembly | |
| 16 | B12388305 | Ribbon Assembly | |
| 17 | 204/00008/00 | Nut | |
| 18 | 203/00007/00 | Washer | |

Left Side, Lower Front and Upper Rear Panels

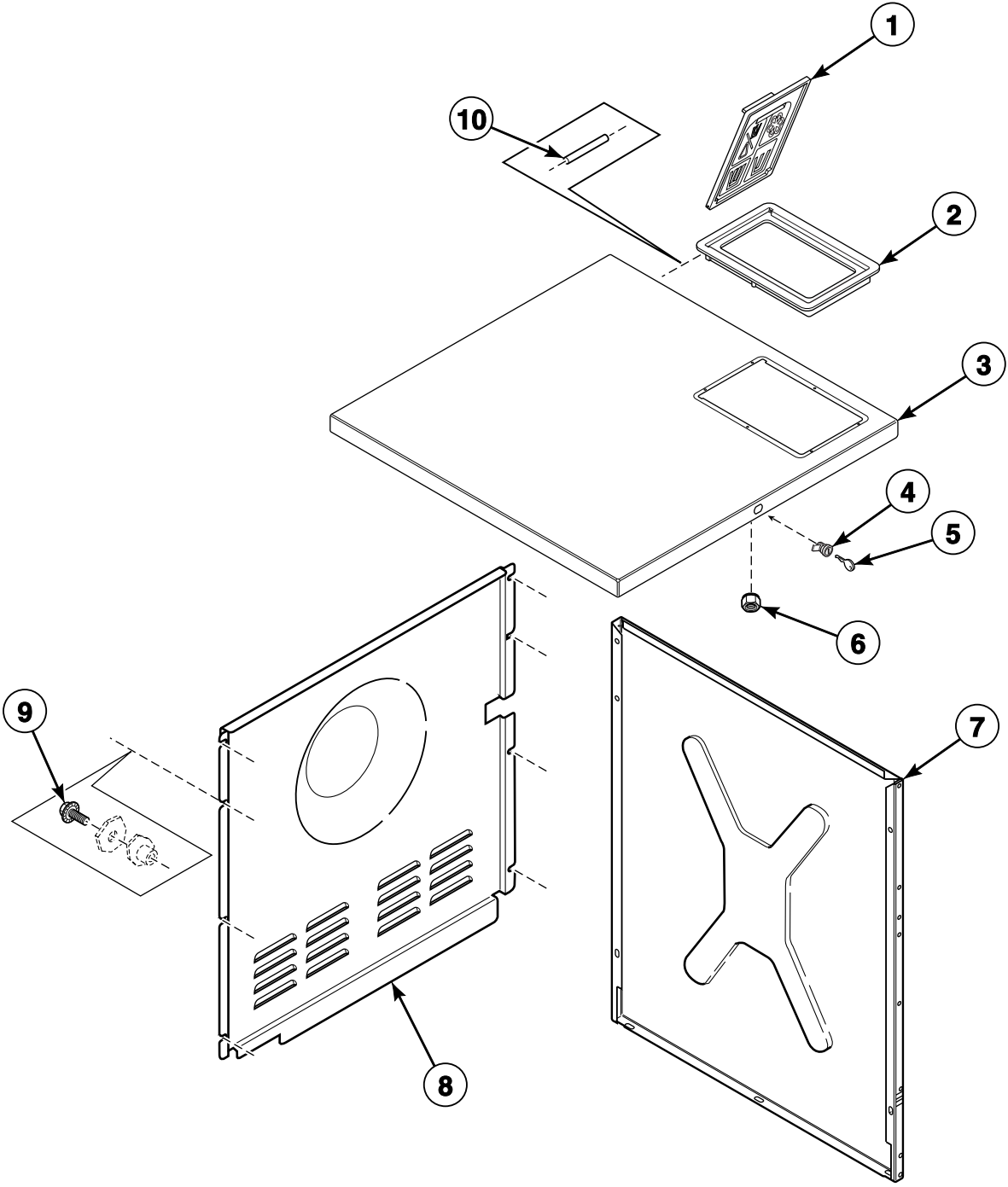


CFD606P_D1578

Left Side, Lower Front and Upper Rear Panels

| REF | PART NO. | DESCRIPTION | COMMENTS |
|-----|--------------|----------------------------|----------|
| 1 | B12354601 | Backbridge | |
| 2 | 206/00104/00 | Screw | |
| 3 | 204/00011/00 | Nut | |
| 4 | B12354902 | Supply Dispenser Crossbar | |
| 5 | 204/00009/00 | Nut | |
| 6 | 205/00105/00 | Bolt | |
| 7 | 246/00149/00 | Gasket | |
| 8 | F8201001 | Top Cover Latch | |
| 9 | 205/00103/00 | Bolt | |
| 10 | 203/00004/00 | Washer | |
| 11 | 204/00106/00 | Nut | |
| 12 | 206/00101/00 | Nut | |
| 13 | 111/32957/50 | Right Front Panel | |
| 14 | B12500601 | Screw | |
| 15 | 111/32943/00 | Kickplate | |
| 16 | 206/00042/00 | Bolt | |
| 17 | 201/00010/00 | Washer | |
| 18 | 204/00109/00 | Nut | |
| 19 | 111/32951/50 | Left Front Panel | |
| 20 | B12516901 | Side Panel | |
| 21 | 205/00105/00 | Bolt | |
| 22 | 101/00007/00 | Outlet Pipe Plate Assembly | |
| 23 | B12462901 | Screw | |
| 24 | B12312501 | Main Switch Cover | |
| 25 | B12487401 | Top Cover Hinge | |

Top, Right Side and Lower Back Panels

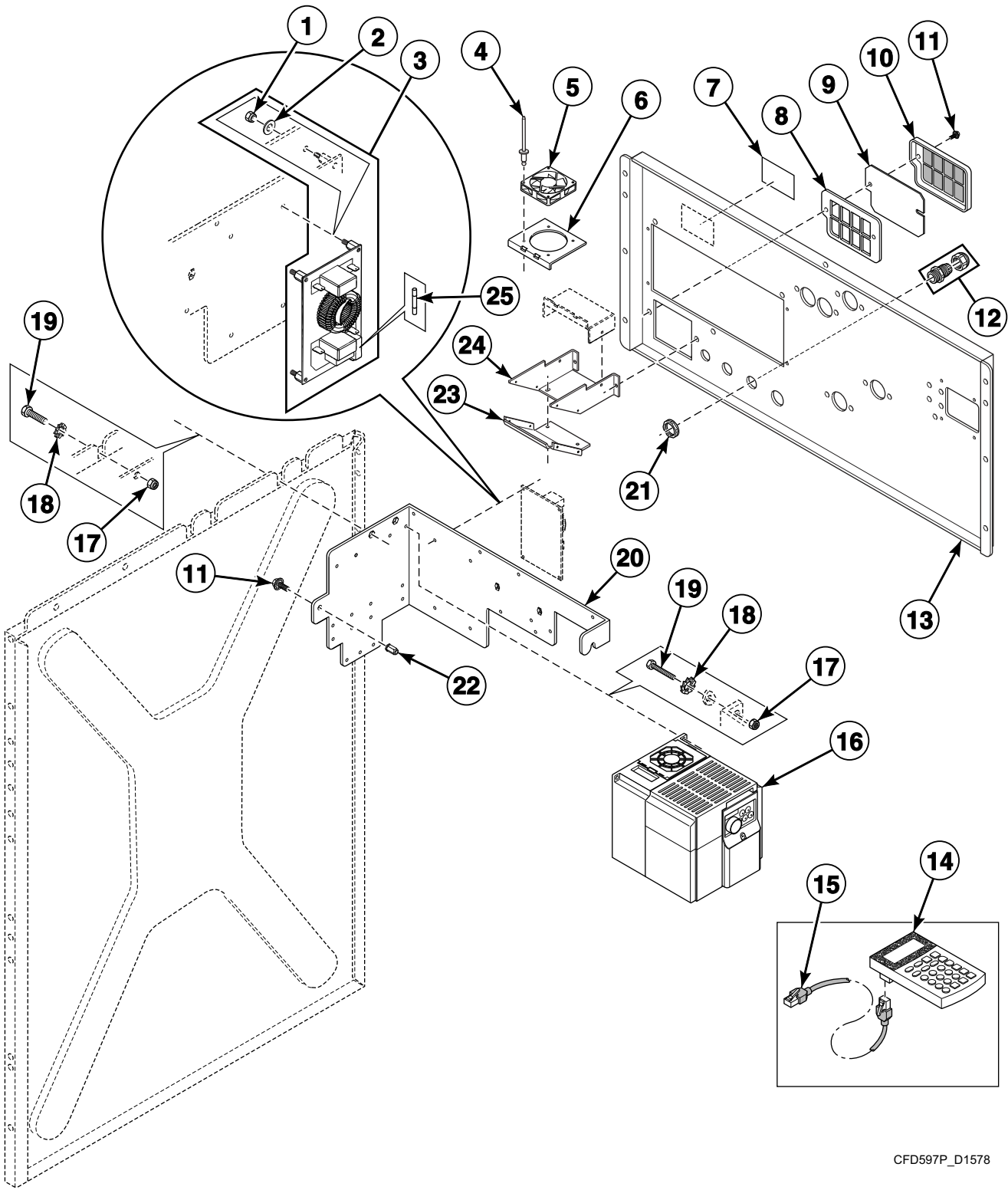


CFD2462P_D1578

Top, Right Side and Lower Back Panels

| REF | PART NO. | DESCRIPTION | COMMENTS |
|-----|--------------|--------------------------------|-----------------|
| 1 | B12319101 | Supply Dispenser Cover | U.S. |
| | B12356701 | Supply Dispenser Cover | International |
| 2 | B12319201 | Supply Dispenser Cover Frame | |
| 3 | B12527401 | Top Panel | |
| 4 | 44089303 | Panel Lock | Includes item 5 |
| 5 | 70155603 | Key | |
| 6 | B12509101 | Nut | |
| 7 | B12516901 | Side Panel | |
| 8 | B12354701 | Lower Rear Panel | |
| 9 | 206/00104/00 | Screw | |
| 10 | 223/00103/04 | Soap Dispenser Cover Hinge Rod | 2 required |

Inverter Drive

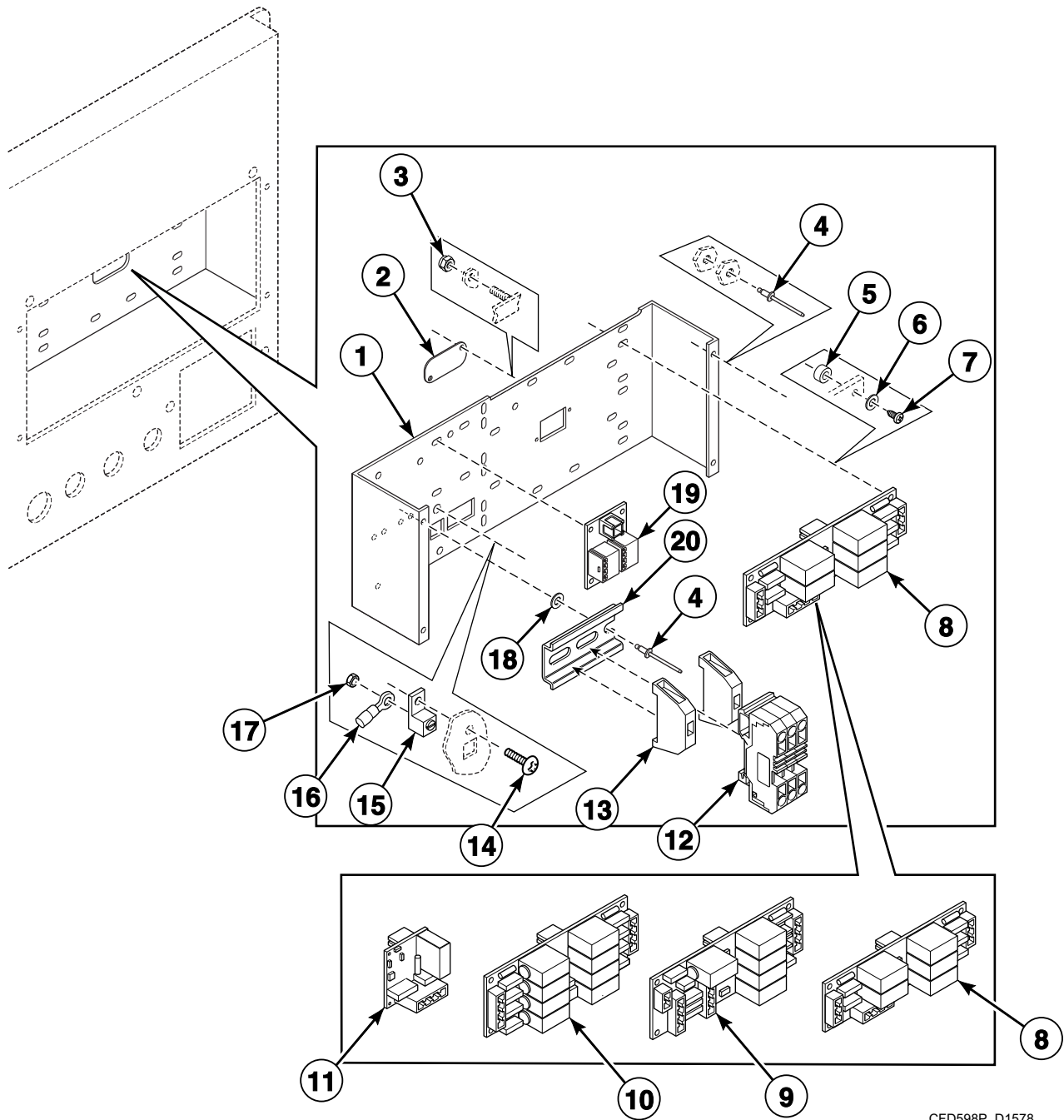


CFD597P_D1578

Inverter Drive

| REF | PART NO. | DESCRIPTION | COMMENTS |
|-----|--------------|---------------------------------|--|
| | B12501502 | E-Stop Drive Fan Harness | WE-8 models |
| | B12501501 | E-Stop Drive Fan Harness | Cygnus and STANDARD models |
| | B12495601 | Drive Source Harness | WE-8 models |
| | B12495602 | Drive Source Harness | WE-8 models; Q-voltage |
| | B12350101 | Ethernet Cable | Cygnus and STANDARD models |
| 1 | 204/00014/00 | Nut | |
| 2 | 202/00004/00 | Washer | |
| 3 | B12339401 | Noise Filter | 30A1; 1x230 Volt; C, Q and X-voltage |
| | 227/00242/00 | Noise Filter | 8A3; 3x400 Volt; N and P-voltage |
| 4 | 208/00017/00 | Rivet | |
| 5 | 209/00465/00 | Fan | |
| 6 | B12357201 | Fan Mounting Plate | |
| 7 | B12355001 | Voltage Discharge Decal | |
| 8 | B12372401 | Inverter Air Inlet Filter Frame | Inside |
| 9 | B12382401 | Inverter Air Inlet Filter Grill | |
| 10 | B12346701 | Inverter Air Inlet Filter Frame | Outside |
| 11 | 206/00104/00 | Screw | |
| 12 | 211/00183/00 | Nut | |
| 13 | B12354601 | Backbridge | |
| 14 | 227/00171/00 | Parameter Unit Assembly | Hand held |
| 15 | 227/00171/10 | Parameter Unit Program Cable | |
| 16 | F8420919 | Inverter Drive | 700 series; 1x230 Volt; WE-8 models; C, Q and X-voltage |
| | F8420920 | Inverter Drive | 700 series; 3x400 Volt; WE-8 models; N and P-voltage |
| | 227/00230/00 | Inverter | 700 series; 1x230 Volt; Cygnus and STANDARD models; C, Q and X-voltage |
| | 227/00238/00 | Inverter | 700 series; 3x400 Volt; Cygnus and STANDARD models; N and P-voltage |
| 17 | 204/00114/00 | Nut | |
| 18 | 203/00006/00 | Washer | |
| 19 | 206/00088/00 | Bolt | |
| 20 | B12333201 | Inverter Drive Box | |
| 21 | 211/00170/00 | Nut | |
| 22 | 204/00011/00 | Nut | |
| 23 | B12342701 | Air Inlet Bottom | |
| 24 | B12342501 | Air Inlet | |
| 25 | B12389501 | Fuse | 3.15 A; 500 Volt; Used with 227/00242/00 Filter; N and P-voltage |
| | 209/00468/00 | Fuse | 3.15 A; Used with B12339401 Noise Filter; C, Q and X-voltage |

Printboard Support Panel and Soap Injection Printboards - Cygnus and STANDARD Models

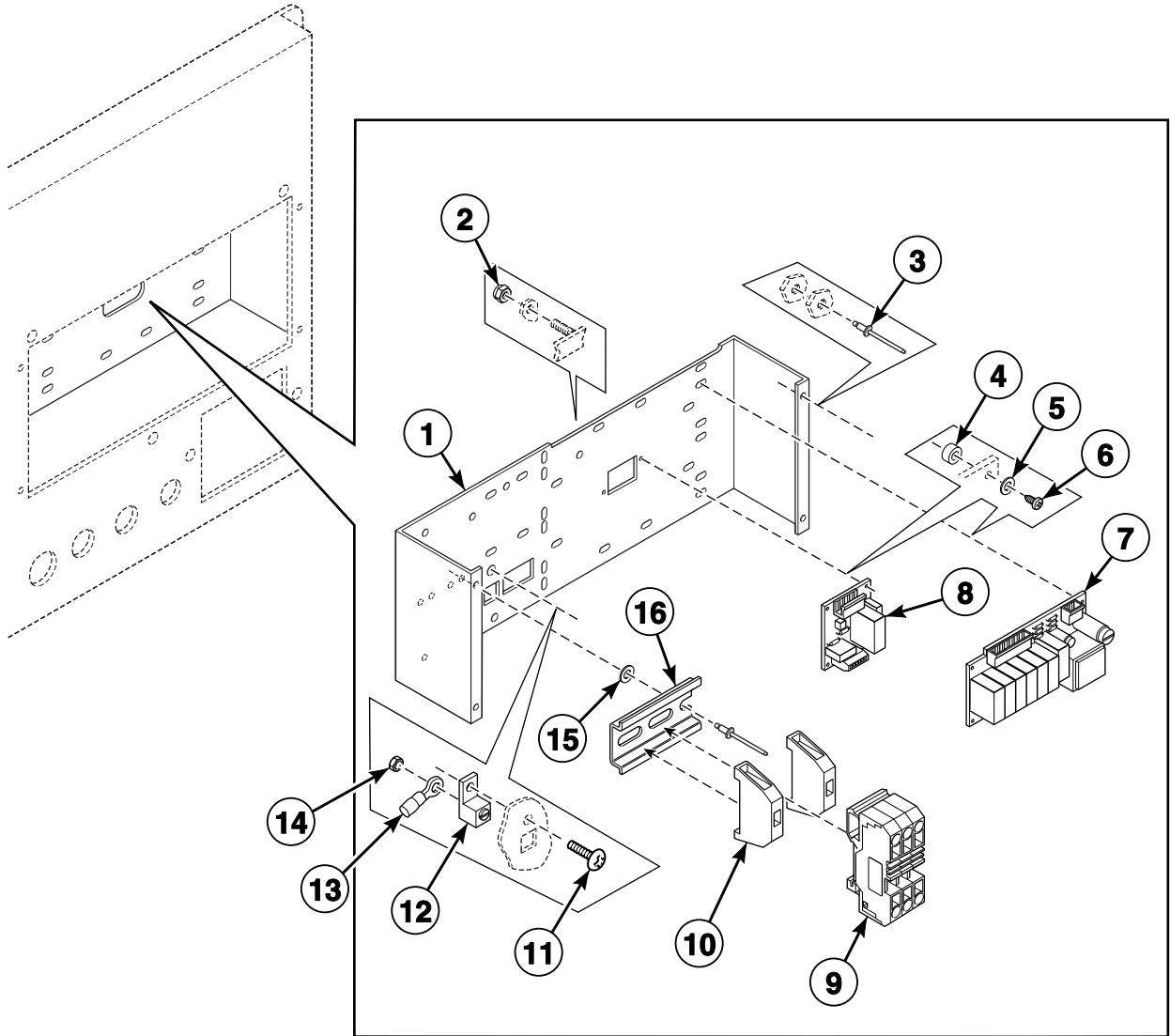


CFD598P_D1578

Printboard Support Panel and Soap Injection Printboards - Cygnus and STANDARD Models

| REF | PART NO. | DESCRIPTION | COMMENTS |
|-----------|--------------|---------------------------|---|
| | B12388301 | Ribbon Assembly | Used with items 8-11 |
| | B12529201 | Extension Board Kit | Used with items 8-11; includes items 2-7, 18, B12381402 Control Supply Harness, B12388301 Ribbon Assembly, 201616 Transformer, 70030501 Expansion Clip, B12462901 Screw and B12319608 Diagram; Does not include extension board |
| | B12529301 | Network Kit | Includes items 3, 5-7, 19, 211/00128/00 Printboard Separator, B12341801 Printboard and B12390201 Network Connection Wiring |
| 1 | B12312401 | Printboard Support | |
| 2 | B12382501 | Flat Cable Plate | |
| 3 | 204/00116/00 | Nut | |
| 4 | 208/00017/00 | Rivet | |
| 5 | B12390301 | Standoff | |
| 6 | 223/00123/00 | Washer | |
| 7 | B12393801 | Screw | |
| 8 | 209/02005/00 | Detergent PC-Board | 1-5 |
| 9 | 209/02014/00 | Relay PC-Board | 5-5 |
| 10 | 209/02008/00 | Detergent PC-Board | 1-8 |
| 11 | 209/02016/00 | Relay PC-Board | 1-1 |
| 12 | 209/01625/00 | Terminal Block | Gray; 3 on C, N, P and Q-voltage; 2 on X-voltage |
| | 209/01624/00 | Terminal Block | Blue; 1 on C and X-voltage |
| | 209/01625/01 | Terminal End | |
| 13 | 209/00633/02 | End Stop | |
| 14 | 206/00104/00 | Screw | |
| 15 | M411283 | Ground Lug Connector | |
| 16 | B12456001 | Wiring Earth for Inverter | |
| 17 | 206/00101/00 | Nut | |
| 18 | 202/00004/00 | Washer | |
| 19 | B12344201 | Network Board | Network models |
| 20 | B12315401 | DIN Rail | 60 mm |

Printboard Support Panel and Soap Injection Printboards - WE-8 Models

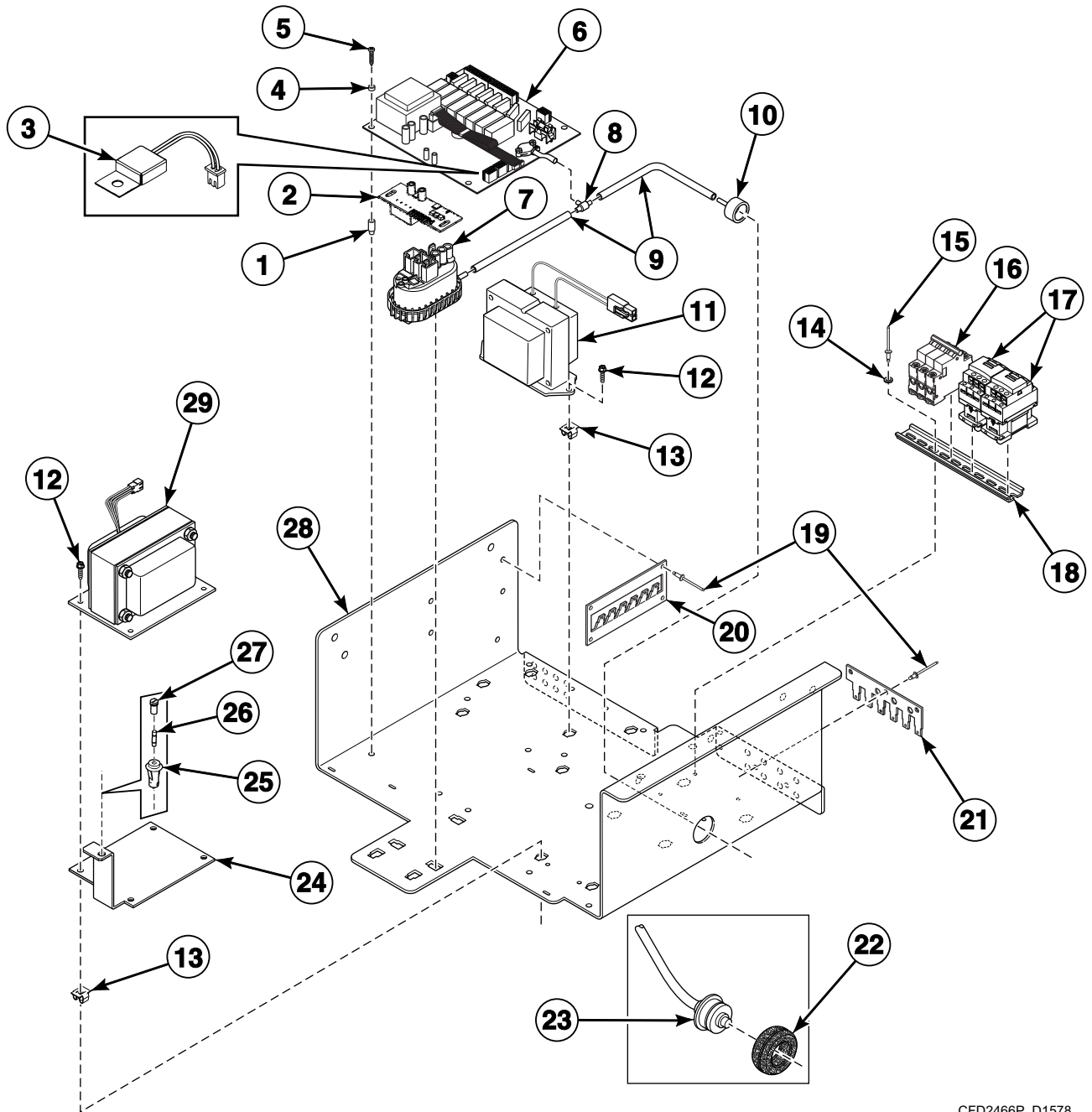


CFD2453P_D1578

Printboard Support Panel and Soap Injection Printboards - WE-8 Models

| REF | PART NO. | DESCRIPTION | COMMENTS |
|-----|--------------|------------------------------|--|
| | B12495702 | Soap Board Harness | |
| 1 | B12312401 | Printboard Support | |
| 2 | 204/00116/00 | Nut | |
| 3 | 208/00017/00 | Rivet | |
| 4 | B1239031 | Spacer | |
| 5 | 223/00123/00 | Washer | |
| 6 | B12393801 | Screw | |
| 7 | 209/00218/13 | Soap Injection PCB with Fuse | |
| 8 | 209/00438/50 | Central Control Board | 240 Volt |
| 9 | 209/01625/00 | Terminal Block | Gray; 3 on C, N, P and Q-voltage; 2 on X-voltage |
| | 209/01624/00 | Terminal Block | Blue; 1 on C and X-voltage |
| | 209/01625/01 | Terminal End | |
| 10 | 209/00633/02 | End Stop | |
| 11 | 206/00104/00 | Screw | |
| 12 | M411283 | Ground Lug Connector | |
| 13 | B12456002 | Wiring Earth for Tub | |
| 14 | 206/00101/00 | Nut | |
| 15 | 202/00004/00 | Washer | |
| 16 | B12315401 | DIN Rail | 60 mm |

Electrical Component Mounting Plate - Cygnus and STANDARD Models

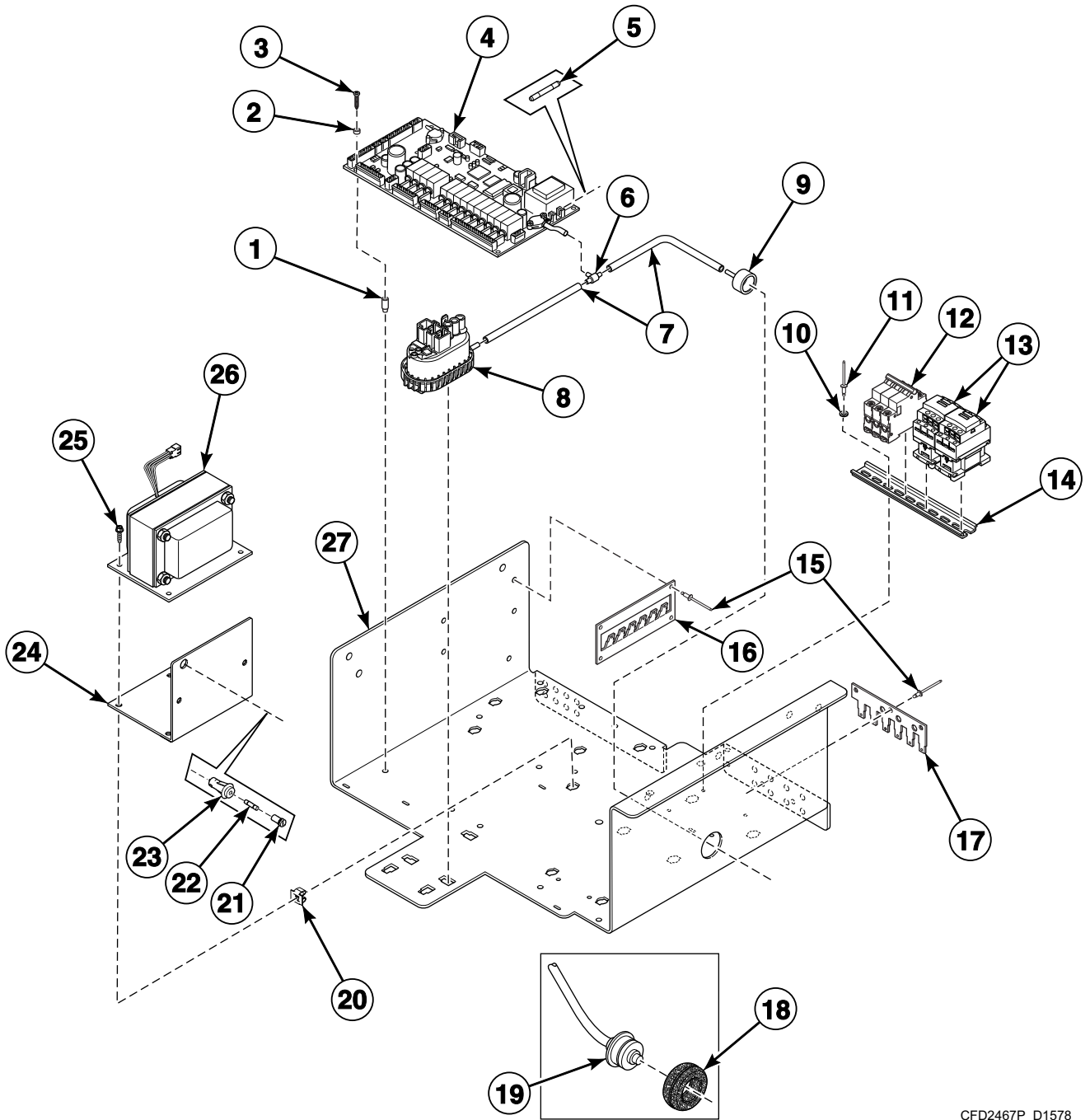


CFD2466P_D1578

Electrical Component Mounting Plate - Cygnus and STANDARD Models

| REF | PART NO. | DESCRIPTION | COMMENTS |
|-----|--------------|-------------------------------------|--|
| | B12392701 | Direct Fill Harness | |
| | B12381101 | Main Control Tray Harness | |
| | B12348801 | Harness Control Comm | |
| | B12348102 | Control Supply Harness | C and Q-voltage |
| | B12348301 | Control Supply Harness | N and P-voltage |
| | B12348101 | Control Supply Harness | C, Q and X-voltage |
| | B12381402 | Control Supply Harness | 24 VAC |
| | B12390201 | Network Connection Wiring | |
| 1 | B12390301 | Standoff | |
| 2 | B12341801 | Printboard | Network models |
| 3 | 209/02020/00 | ID Chip | |
| 4 | 223/00123/00 | Washer | |
| 5 | B12393801 | Screw | |
| 6 | B12355701 | Control Board | |
| | B12360001 | Fuse | 1.25A |
| 7 | B12509701 | Pressure Switch | Single lever; 300/255; Steam and electric heat |
| 8 | 223/00173/10 | Pressure Switch Hose Tee | |
| 9 | 223/00333/00 | Pressure Hose | |
| 10 | 223/00035/02 | Pressure Switch Cap | |
| 11 | 201616 | Transformer | Models with extension boards |
| 12 | B12462901 | Screw | |
| 13 | 70030501 | Expansion Clip | |
| 14 | 202/00004/00 | Washer | |
| 15 | 208/00017/00 | Rivet | |
| 16 | B12487101 | Circuit Breaker | Electric heat; C and Q-voltage |
| 17 | 209/06148/02 | Heating Contactor | Electric heat |
| 18 | B12315301 | DIN Rail | 200 mm |
| 19 | 208/00017/00 | Rivet | |
| 20 | B12395201 | Earth Plate Side | |
| 21 | B12395301 | Earth Plate Bottom | |
| 22 | 225/10004/00 | Thermostat Seal | |
| 23 | 210/01064/16 | Thermostat | |
| 24 | B12439601 | Transformer Fuse Mounting Plate | N and P-voltage |
| 25 | 70329401 | Fuse Holder Body | N and P-voltage |
| 26 | 802492 | Fuse | N and P-voltage |
| 27 | 70329501 | Fuse Holder Cap | N and P-voltage |
| 28 | B12313001 | Electrical Component Mounting Plate | |
| 29 | F8401301 | Transformer | N and P-voltage |

Electrical Component Mounting Plate - WE-8 Models

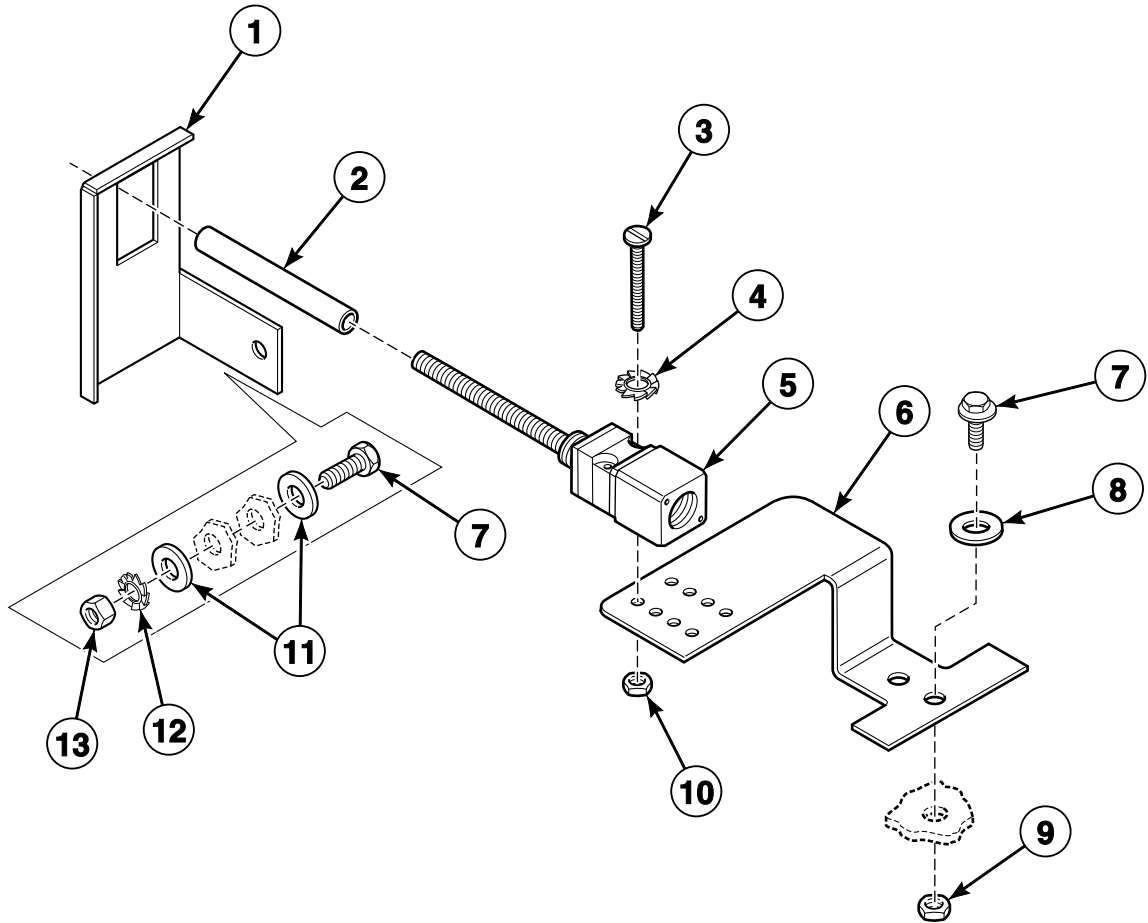


CFD2467P_D1578

Electrical Component Mounting Plate - WE-8 Models

| REF | PART NO. | DESCRIPTION | COMMENTS |
|-----|--------------|-------------------------------------|--|
| | B12348303 | Control Supply Harness | N and P-voltage |
| | B12348103 | Control Supply Harness | C, Q and X-voltage |
| | B12381103 | Main Control Tray Harness | |
| | B12392704 | Direct Fill Harness | 240 Volt |
| 1 | B12390301 | Standoff | |
| 2 | 223/00123/00 | Washer | |
| 3 | B12393801 | Screw | |
| 4 | B12565801 | Main Control | |
| 5 | 209/00372/01 | Fuse | 0.125 Amps |
| 6 | 223/00173/10 | Pressure Switch Hose Tee | |
| 7 | 223/00333/00 | Pressure Hose | |
| 8 | B12509701 | Pressure Switch | Single lever; 300/255; Electric and steam heat |
| 9 | 223/00035/02 | Pressure Switch Cap | |
| 10 | 202/00004/00 | Washer | |
| 11 | 208/00017/00 | Rivet | |
| 12 | B12487101 | Circuit Breaker | Electric heat; C and Q-voltage |
| 13 | 209/06148/02 | Heating Contactor | Electric heat |
| 14 | B12315301 | DIN Rail | 200 mm |
| 15 | 208/00017/00 | Rivet | |
| 16 | B12395201 | Earth Plate Side | |
| 17 | B12395301 | Earth Plate Bottom | |
| 18 | 225/10004/00 | Thermostat Seal | |
| 19 | 210/01064/16 | Thermostat | |
| 20 | 70030501 | Expansion Clip | |
| 21 | 70329501 | Fuse Holder Cap | N and P-voltage |
| 22 | 802492 | Fuse | N and P-voltage |
| 23 | 70329401 | Fuse Holder Body | N and P-voltage |
| 24 | B12439701 | Transformer Fuse Mounting Plate | N and P-voltage |
| 25 | B12462901 | Screw | |
| 26 | B12313002 | Electrical Component Mounting Plate | |
| 27 | F8401301 | Transformer | N and P-voltage |

Balance Switch

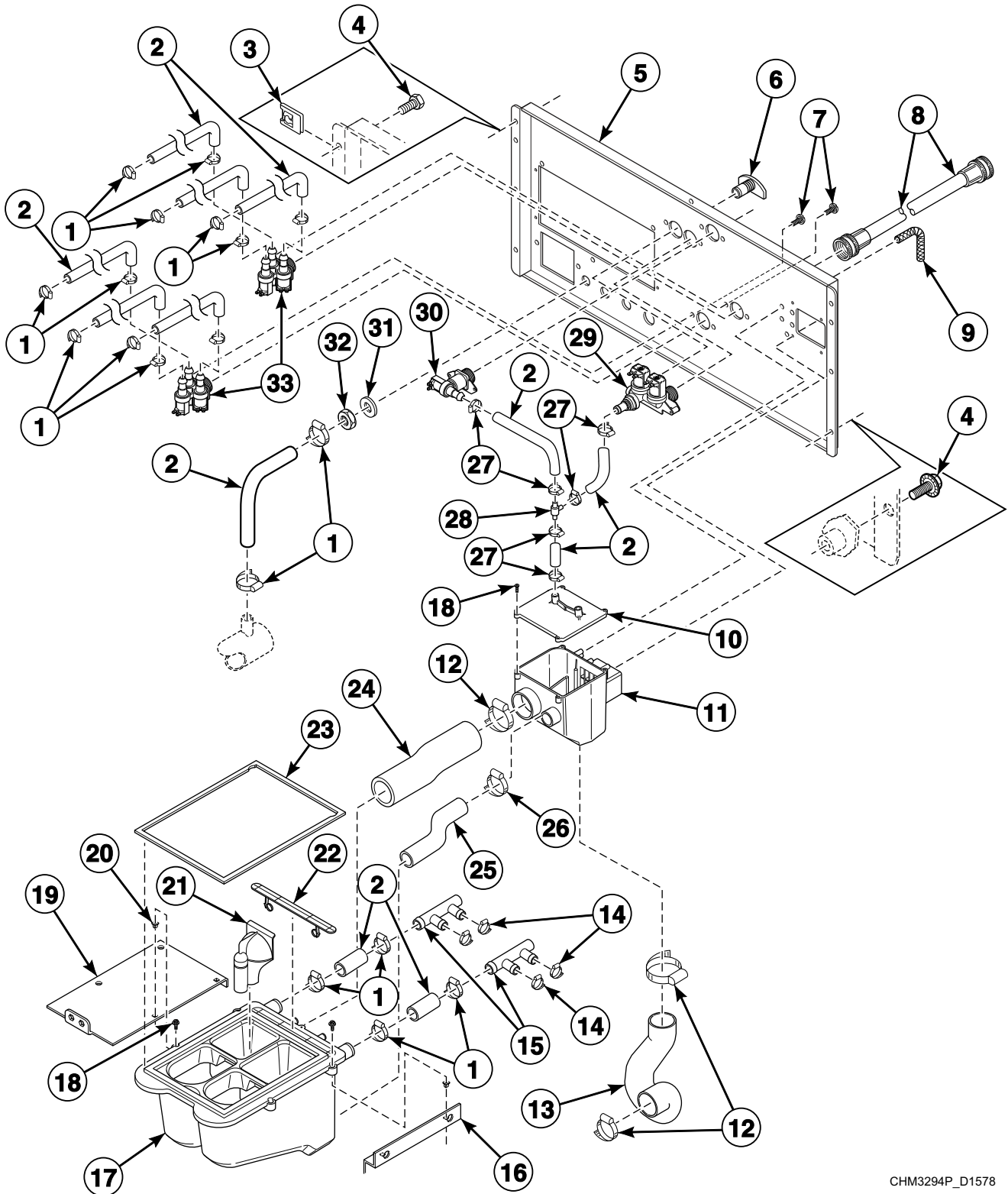


CFD622P_D1578

Balance Switch

| REF | PART NO. | DESCRIPTION | COMMENTS |
|-----|--------------|-------------------------------|----------|
| | B12349902 | Out-of-Balance Switch Harness | |
| 1 | B12529501 | Out-of-Balance Switch Bracket | |
| 2 | 223/00246/00 | Out-of-Balance Switch Boot | |
| 3 | 207/00018/00 | Screw | |
| 4 | 203/00006/00 | Washer | |
| 5 | 209/00255/00 | Out-of-Balance Switch | |
| 6 | B12430301 | Tilt Switch Support | |
| 7 | 205/00107/00 | Bolt | |
| 8 | 202/00101/00 | Washer | |
| 9 | 204/00009/00 | Nut | |
| 10 | 204/00007/00 | Nut | |
| 11 | 201/00010/00 | Washer | |
| 12 | 203/00003/00 | Washer | |
| 13 | 204/00004/00 | Nut | |

Fill Plumbing Assembly

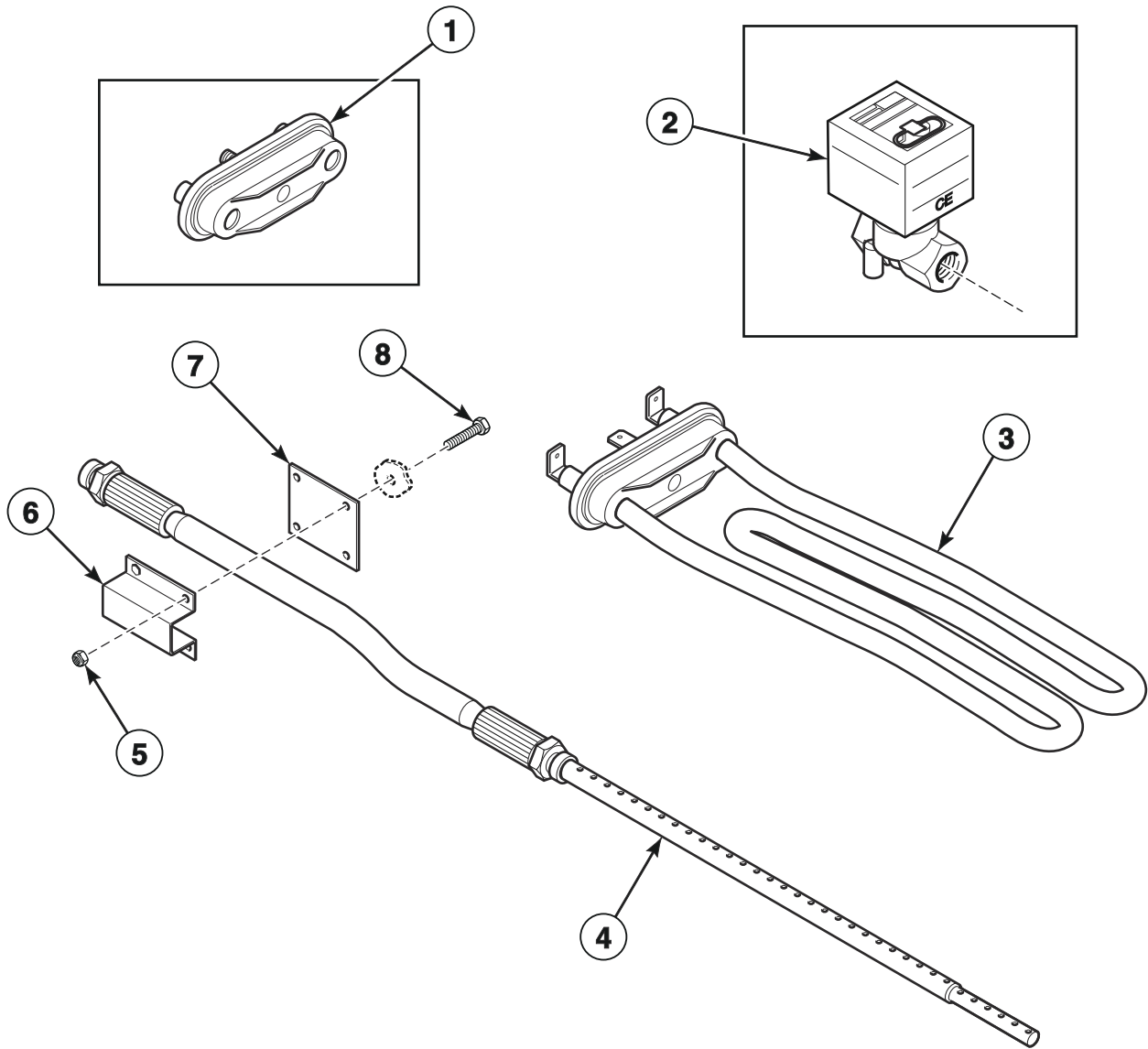


CHM3294P_D1578

Fill Plumbing Assembly

| REF | PART NO. | DESCRIPTION | COMMENTS |
|-----|--------------|---------------------------------|---|
| | B12349202 | Inlet Valve Harness | WE-8 models |
| | B12349201 | Inlet Valve Harness | All other models |
| 1 | 223/00010/00 | Hose Clamp | |
| 2 | 223/00044/01 | Water Hose | |
| 3 | 70030501 | Expansion Clip | |
| 4 | B12462901 | Screw | |
| 5 | B12354601 | Backbridge | |
| 6 | 223/00001/04 | Prewash and Mainwash Nozzle | |
| 7 | 206/00027/00 | Bolt | |
| 8 | F200164 | Water Hose | Standard thread |
| | F200166 | Water Hose | Metric thread |
| 9 | B12687401 | Pressure Hose | |
| 10 | F8439301 | Vacuum Breaker Cover | |
| 11 | F8048601 | Vacuum Breaker Assembly | Includes item 10 |
| 12 | 223/00014/00 | Hose Clamp | |
| 13 | B12324403 | Siphon Break Hose | |
| 14 | 223/00011/00 | Hose Clamp | |
| 15 | F8333201 | Manifold | |
| 16 | B12316401 | Supply Dispenser Support | |
| 17 | F8047401 | Dispenser Assembly | |
| 18 | B12462801 | Screw | |
| 19 | B12337301 | Supply Dispenser Mounting Plate | |
| 20 | B12463001 | Insert | |
| 21 | F8047901 | Siphon Cover | |
| 22 | F8047801 | Access Cover | |
| 23 | F8308301 | Dispenser Gasket | |
| 24 | B12390005 | Vacuum Supply Hose | |
| 25 | B12313304 | Dispenser Overflow Hose | |
| 26 | 223/00223/00 | Hose Clamp | |
| 27 | 223/00013/00 | Hose Clamp | |
| 28 | 223/00041/00 | Water Inlet Tee | |
| 29 | F8434001 | Mixing Valve | Standard thread |
| | F8434002 | Mixing Valve | Metric thread |
| 30 | 209/00276/00 | Inlet Valve | 1-way; Metric thread; Hard water rinse optional |
| | 223/00050/01 | Water Valve Adapter | Standard thread |
| 31 | 201/00002/00 | Washer | |
| 32 | 204/00201/00 | Nut | |
| 33 | F8286401 | 3-Way Valve | Standard thread |
| | B12496201 | Inlet Valve | 3-way; Metric thread |

Steam and Electric Heating Options

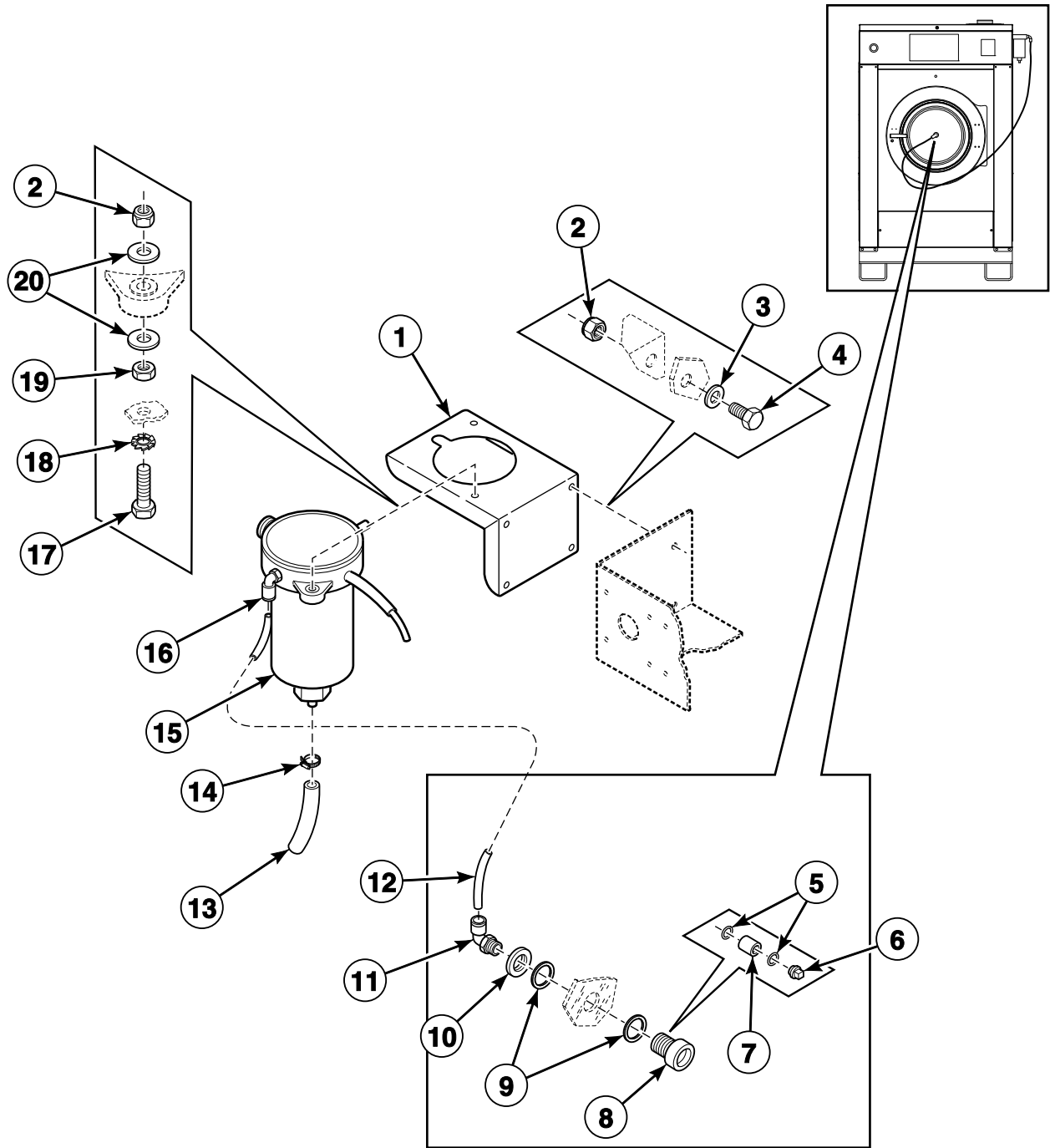


CFD2457P_D1578

Steam and Electric Heating Options

| REF | PART NO. | DESCRIPTION | COMMENTS |
|----------|--------------|-----------------------|--|
| | B12551001 | Steam Heat Kit | Includes items 2, 4-8, 209/06148/02 Heating Contactor, B12382302 Steam Valve Harness, B12349701 Steam Heat Harness, B12349702 Steam Heat Harness, B12315301 DIN Rail, 209/00633/02 End Stop, 223/00173/10 Pressure Switch Hose Tee, 223/00333/00 Pressure Hose, B12509701 Pressure Switch, 211/00181/00 Strain Relief Connector and 211/00170/00 Nut |
| | B12308001 | Relay | Steam heat |
| | B12382302 | Steam Valve Harness | |
| | B12348501 | Branch Harness | Electric heat; N and P-voltage |
| | B12348502 | Branch Harness | Electric heat; C-voltage |
| | B12349604 | Electric Heat Harness | WE-8 models |
| | B12349603 | Electric Heat Harness | All other models |
| | B12349704 | Steam Heat Harness | WE-8 models |
| | B12349703 | Steam Heat Harness | All other models |
| | B12349802 | Dual Heat Harness | WE-8 models |
| | B12349803 | Dual Heat Harness | All other models |
| | B12381204 | Power Jumper Harness | Electric heat; Q-voltage |
| | B12455904 | Heat Harness | Electric heat; 1; C, N and P-voltage |
| | B12455905 | Heat Harness | Electric heat; 2; C, N and P-voltage |
| 1 | F360202 | Heating Element Plug | |
| 2 | 209/00476/00 | Steam Valve | |
| 3 | 209/00562/20 | Heating Element | 3 kW; 240 Volt; C, N, P and Q-voltage |
| 4 | 119/00087/50 | Steam Injector | |
| 5 | 206/00101/00 | Nut | |
| 6 | 111/00155/10 | Bracket Support | |
| 7 | 111/00155/00 | Steam Bracket | |
| 8 | 206/00104/00 | Screw | |

Spray Pump



CFD630P_D1578

Spray Pump

| REF | PART NO. | DESCRIPTION | COMMENTS |
|-----|--------------|------------------------------|----------|
| 1 | 111/10179/00 | Spray Pump Mounting Plate | |
| 2 | 204/00009/00 | Nut | |
| 3 | 201/00007/00 | Washer | |
| 4 | 205/00107/00 | Bolt | |
| 5 | 223/00177/00 | O-Ring | |
| 6 | 223/00178/00 | Soap Injector Orifice | |
| 7 | 211/00126/00 | Soap Injector Orifice Nipple | |
| 8 | 211/00127/00 | Soap Injector Connector | |
| 9 | 223/00176/00 | O-Ring | |
| 10 | 211/10106/00 | Nut | |
| 11 | 223/00182/00 | Soap Injector Coupling | |
| 12 | 223/00180/00 | Soap Injector Hose | |
| 13 | 223/00179/10 | Pressure Hose | |
| 14 | F140605 | Cable Tie | |
| 15 | 209/00369/00 | Liquid Soap Spray Pump | |
| 16 | 223/00181/00 | Soap Injector Elbow Coupling | |
| 17 | 205/00103/00 | Bolt | |
| 18 | 203/00004/00 | Washer | |
| 19 | 204/00106/00 | Nut | |
| 20 | 202/00101/00 | Washer | |