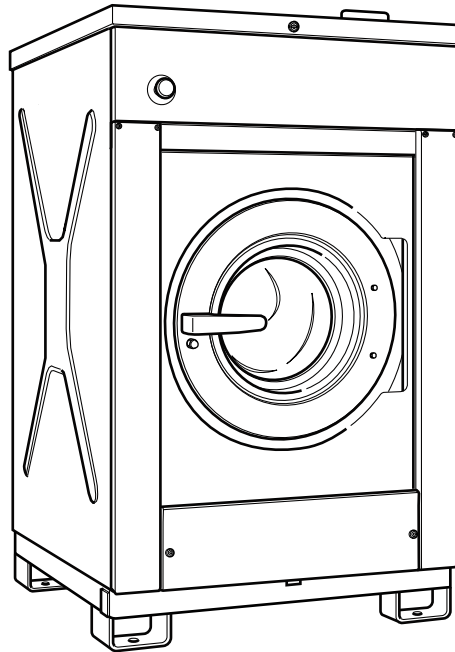


Washer-Extractor

Cabinet Freestanding
Refer to Page 3 for Model Numbers



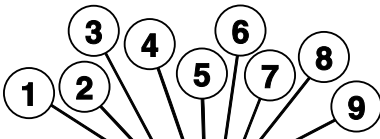
CFD30C_D1359

Model Identification

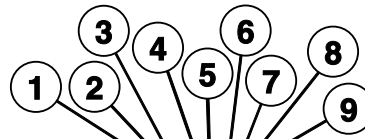
Information in this manual is applicable to these washer-extractor models:

CS035_CYGNUS-ULTRA	HX35P	IXZ135C
CXE030X	HXE035P	IXZ135X
CXE030Z	HXG165P	IXZ135Y
CXE035X	HXN165P	IXZ135Z
CXE035Z	HXR035P	IXZ165C
CXG135X	HXU165P	IXZ165X
CXG135Z	HXW165P	IXZ165Y
CXG165X	HXZ165P	IXZ165Z
CXG165Z	IS035_CYGNUS-ULTRA	JXW135C
CXN135X	IS035_CYGNUS-VENDED	JXW135Y
CXN135Z	IXG135C	JXW135Z
CXN165U	IXG135X	JXW165C
CXN165X	IXG135Y	JXW165X
CXN165Z	IXG135Z	JXW165Y
CXR030X	IXG165C	JXW165Z
CXR030Z	IXG165X	PXU135Y
CXR035U	IXG165Y	PXU165Y
CXR035X	IXG165Z	SX35P
CXR035Z	IXN135C	SXE035P
CXU135X	IXN135X	SXG165P
CXU135Z	IXN135Y	SXN165P
CXU165X	IXN135Z	SXR035P
CXU165Z	IXN165C	SXU165P
CXW135X	IXN165U	SXW165P
CXW135Z	IXN165V	SXZ165P
CXW165X	IXN165X	UX35P
CXW165Z	IXN165Y	UXE035P
CXZ135X	IXN165Z	UXG165P
CXZ135Z	IXR035U	UXN165P
CXZ165X	IXU135C	UXR035P
CXZ165Z	IXU135X	UXU165P
DXU135X	IXU135Y	UXW165P
DXU165X	IXU135Z	UXZ165P
EXU135X	IXU165C	WXU135C
EXU165X	IXU165X	WXU165C
HD135_CYGNUS-COMM	IXU165Y	
HD135_CYGNUS-PREM	IXU165Z	
HD135_CYGNUS-PRO	IXW135C	
HD135_CYGNUS-STANDARD	IXW135X	
HD165_CYGNUS-COMM	IXW135Y	
HD165_CYGNUS-PREM	IXW135Z	
HD165_CYGNUS-PRO	IXW165C	
HD165_CYGNUS-STANDARD	IXW165X	
	IXW165Y	
	IXW165Z	

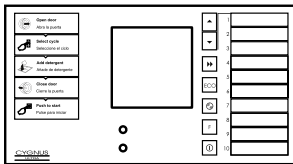
Cabinet Freestanding Washer-Extractor Product Overview



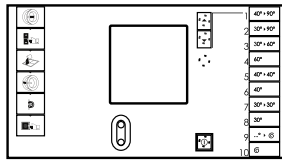
Model No: IXU135XNCU0E	Serial No: 12090AE0036
Volts: 380-415V	Type: HD135
Hertz: 50(60)Hz	1 3
Phase: 3+N	Capacity: 30/13.2 lbs/kg
Amps: 24.3 amps	Water 28-85 psi
Recommended Circuit Breaker: 25 amps	Pressure: 2-6 bar
Electrical Heating: 12-14. kW	Max Speed: 1000 rpm
Steam Heat: N/A psi / N/A bar	Net Weight: 788 lbs / 358 kg
Sound Level: 62/73 dBA	IPX4
sfc 807393	
Alliance International BVBA Nieuwstraat 146 8560 Wevelgem Belgium Tel: +32 56 41 20 54 Fax: +32 56 41 86 74 www.ipso.be Country of origin: Belgium	



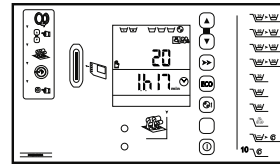
Model No: IHM185SNLXUOP	Serial No: 1209BG0043
Volts: 200-240V	Type: WD185
Hertz: 60(50)Hz	1 3
Phase: 1	Capacity: 40/18.2 lbs/kg
Amps: 3.5 amps	Water 28-85 psi
Recommended Circuit Breaker: 15 amps	Pressure: 2-6 bar
Electrical Heating: N/A kW	Max Speed: 470 rpm
Steam Heat: N/A psi / N/A bar	Net Weight: 618 lbs / 281 kg
Sound Level: 62/73 dBA	IPX4
sfc 807410	
Alliance International BVBA Nieuwstraat 146 8560 Wevelgem Belgium Tel: +32 56 41 20 54 Fax: +32 56 41 86 74 www.ipso.be Country of origin: Belgium	



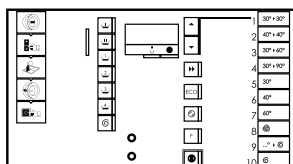
Cygnus Ultra



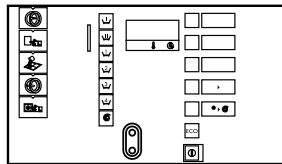
Cygnus Premium Coin



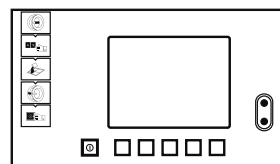
Cygnus Premium OPL



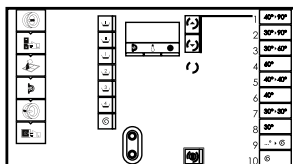
Cygnus Commercial



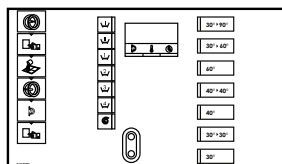
Cygnus Standard OPL



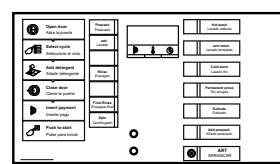
Cygnus Professional



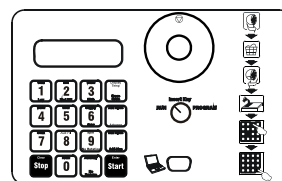
Cygnus Commercial Vended



Cygnus Standard Vended



Cygnus Vended



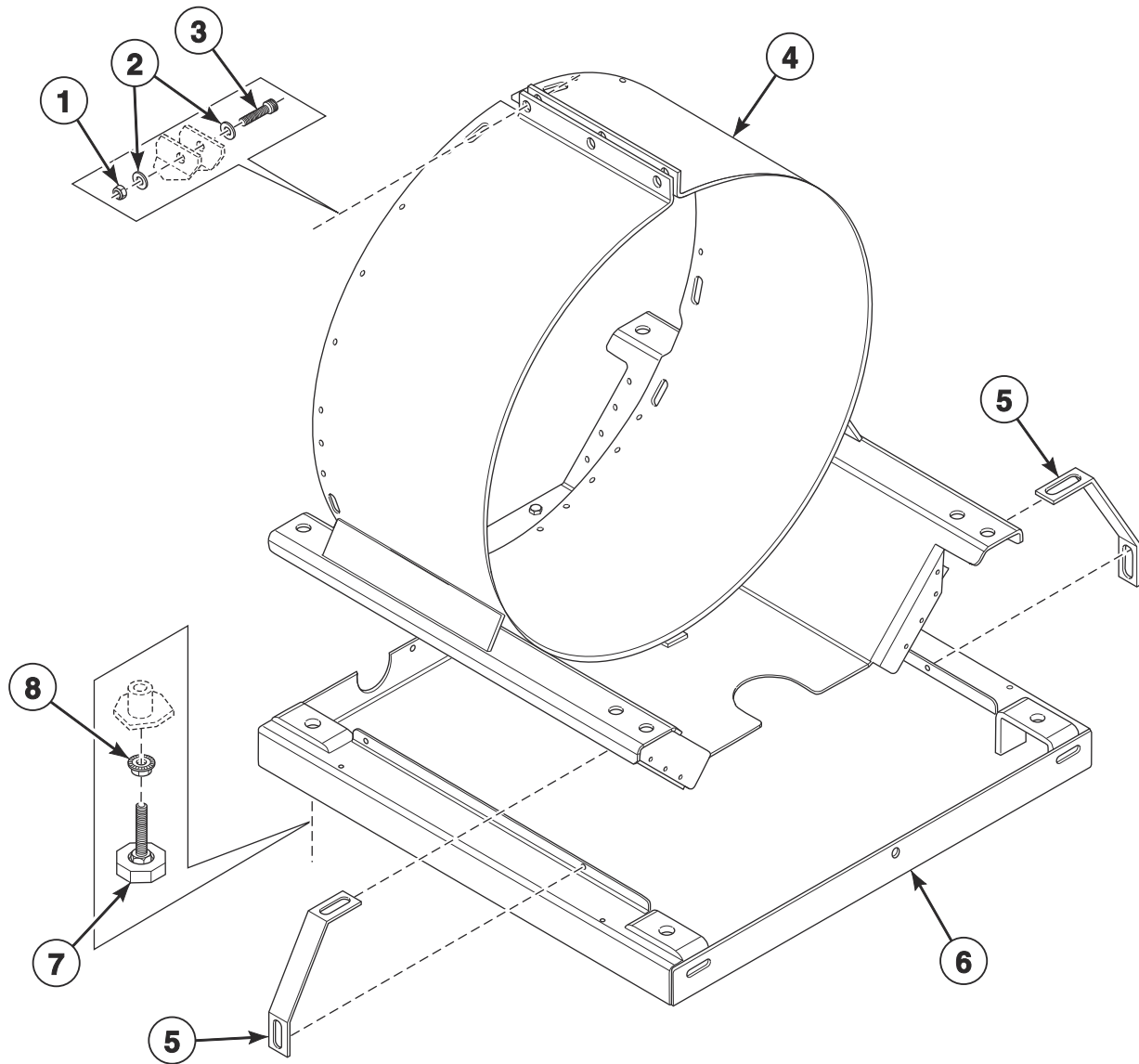
WE-8

CFD624P_D1359

Cabinet Freestanding Washer-Extractor Product Overview

REF	PART NO.	DESCRIPTION	COMMENTS
1	-	Product Family	CS CX DX EX HD HX IS IX JX PX SX UX VX WX
2	-	Market	G (GOS) N (US ETL/ETL[C]) R (US ETL/ETL[C]) U (EU [CE]) W (EU [CE] WRAS) Z (No Agency Int.)
3	-	Capacity	30 35 135 165
4	-	Control	C (Cygnus Standard) P (WE-8) U (Cygnus Ultra) V (Cygnus Vended) X (Cygnus Commercial) Y (Cygnus Premium) Z (Cygnus Professional)
5	-	Actuation	C (Single Coin Drop) D (Dual Coin Drop) E (Electronic Coin Drop) L (Central Pay Pulses) N (OPL) S (Central Pay Serial Comm)
6	-	Speed	H (High Speed)
7	-	Voltage	C (380-415/50-60/3/4) N (440-480/50-60/3/3) P (380-415/50-60/3/3) Q (200-208/220-240/50-60/3/3) X (200-208/220-240/50-60/1/2/2)
8	-	Cabinet	I (Stainless Steel Side Panels) U (Standard)
9	-	Design	1

Frame

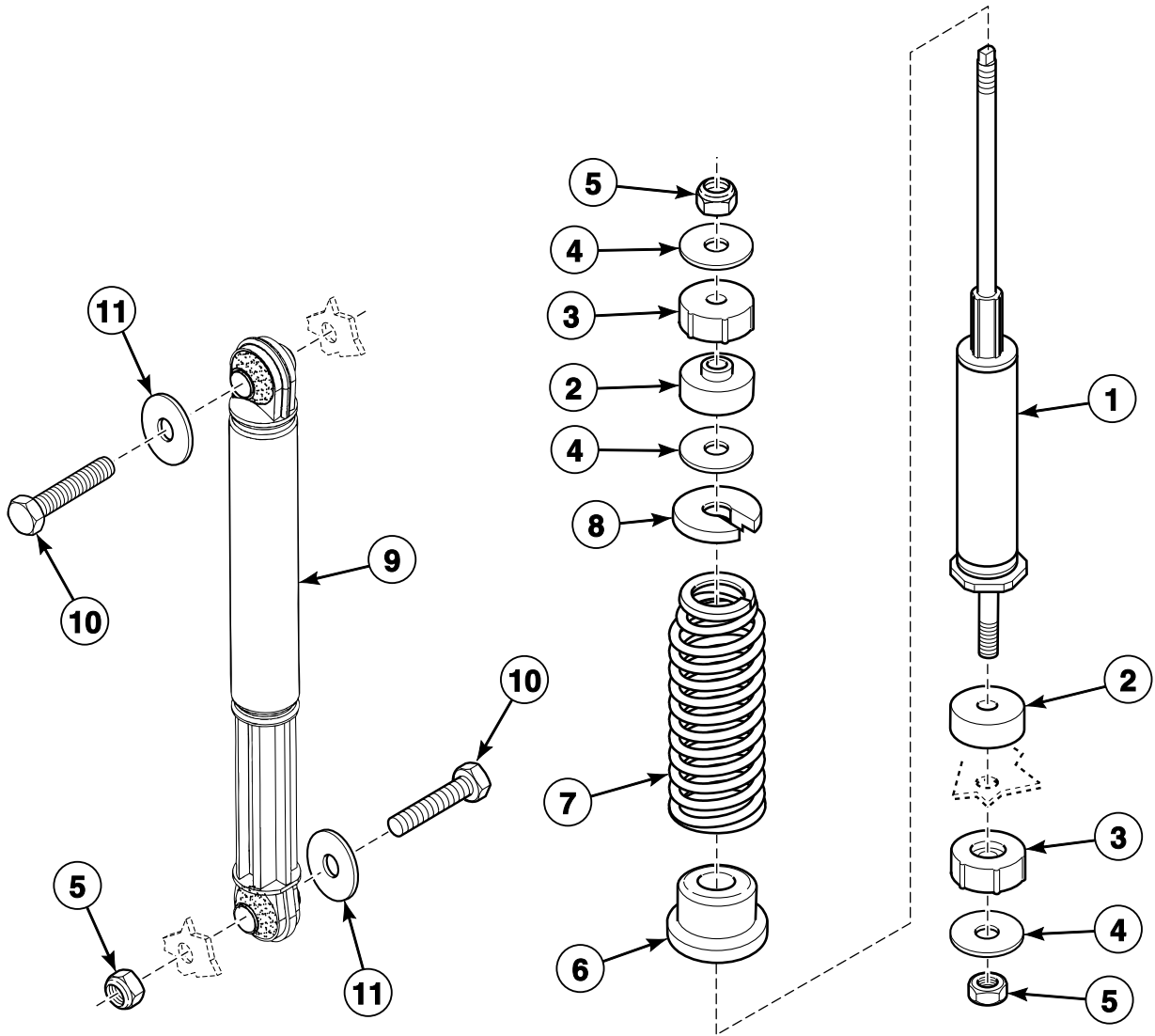


CFD552P_D1359

Frame

REF	PART NO.	DESCRIPTION	COMMENTS
1	204/00111/00	Nut	
2	201/00005/00	Washer	
3	206/00053/00	Screw	
4	B12508701	Tub Support	*30 and *135 models
	B12508601	Tub Support	All other models
5	185/00009/12	Shipping Brace	
6	B12316201	Frame	*30 and *135 models
	B12316301	Frame	All other models
7	252/00006/00	Leveling Leg	
8	206/00106/00	Nut	

Shock Absorber

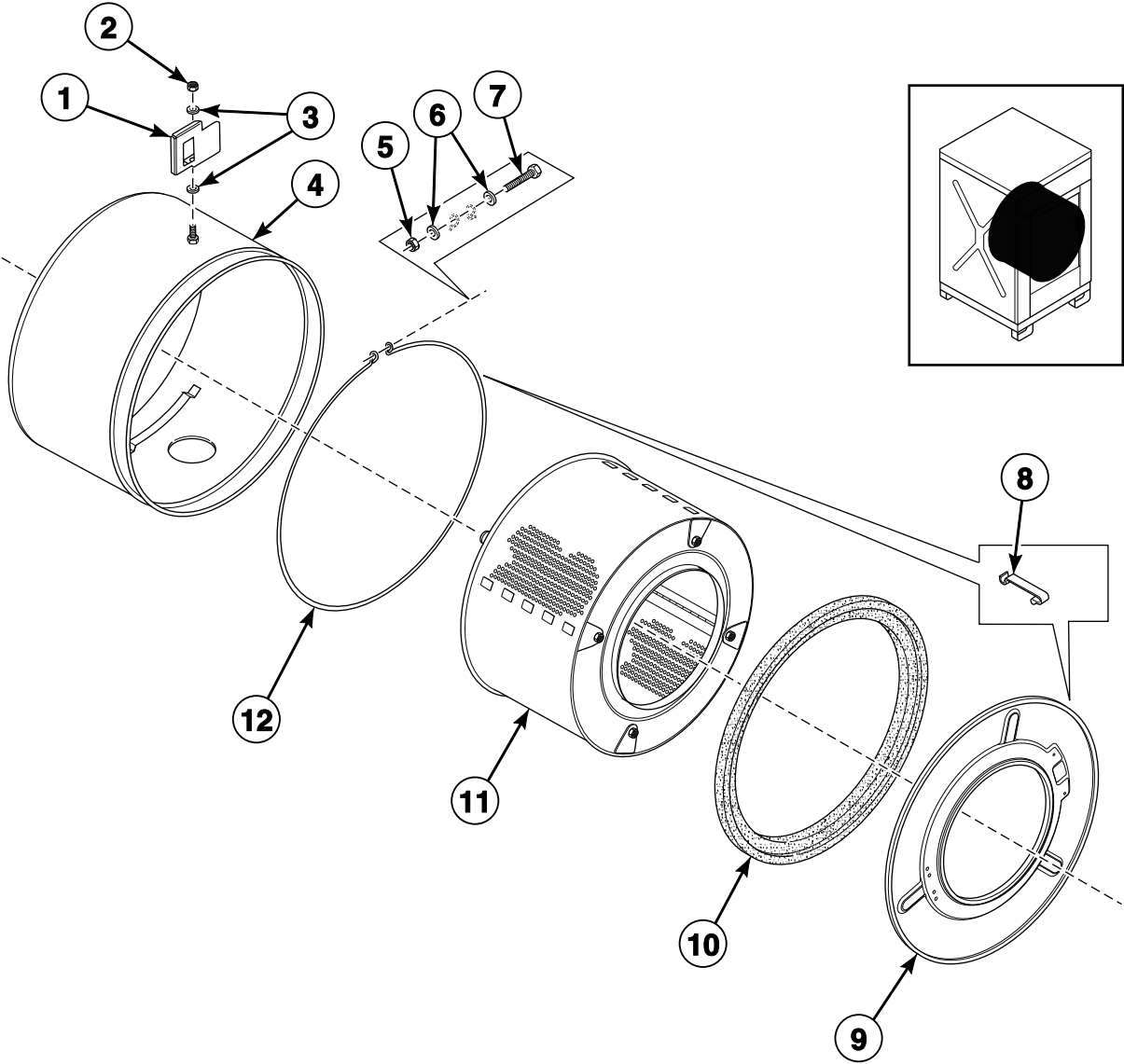


CFD618P_D1359

Shock Absorber

REF	PART NO.	DESCRIPTION	COMMENTS
1	247/00002/02	Shock Absorber	
	247/00003/00	Shock Absorber	Includes items 1, 2, 4, 6, 8 and 247/00002/01 Suspension Spring
2	247/00006/00	Fastening Rubber	
3	247/00007/00	Fastening Rubber	
4	201/00015/00	Washer	
5	204/00110/00	Nut	
6	247/00001/03	Spring Seat Bottom	
7	247/00002/01	Suspension Spring	Blue; 5.5 mm diameter
	247/00001/01	Suspension Spring	Black; 4.8 mm diameter
	247/00002/00	Shock Absorber	Includes items 2, 4 and 247/00001/01 Suspension Spring
8	247/00001/04	Spring Holder Top	
9	247/00004/00	Shock Absorber	
10	206/00037/00	Bolt	
11	201/00010/00	Washer	

Shell and Basket

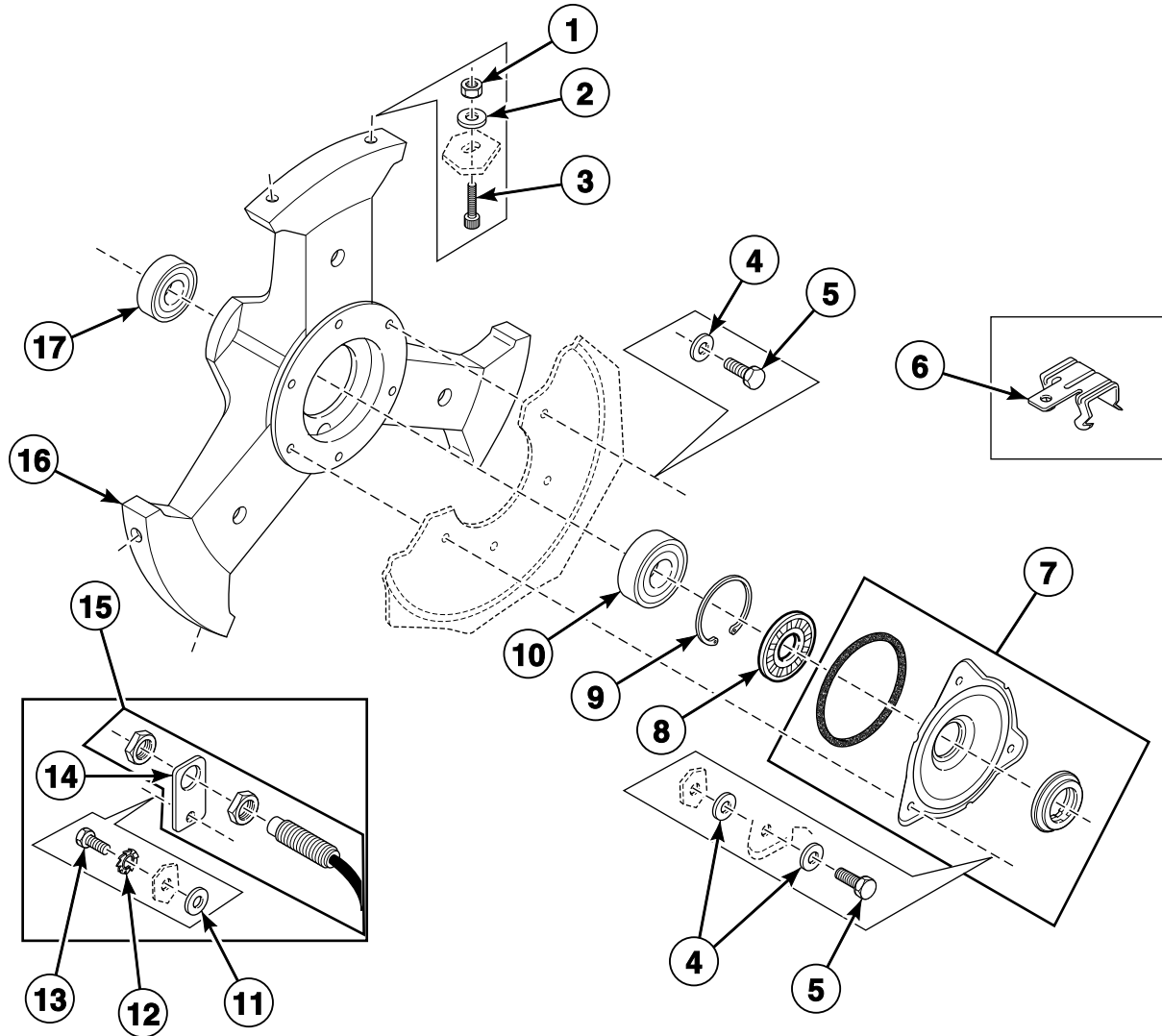


CFD553P_D1359

Shell and Basket

REF	PART NO.	DESCRIPTION	COMMENTS
	B12456002	Wiring Earth for Tub	
1	B12529401	Tilt Detector Plate	
2	204/00110/00	Nut	
3	201/00010/00	Washer	
4	B12328901	Tub	*30 and *135 models; Electric heat
	B12329001	Tub	*30 and *135 models; Boiler fed
	B12329201	Tub	All other models; Electric heat
	B12329301	Tub	All other models; Electric heat and boiler fed
5	204/00009/00	Nut	
6	201/00007/00	Washer	
7	206/00032/00	Bolt	
8	217/00008/00	Tub Front Panel Clip	
9	B12533201	Tub Front Panel	
10	B12351601	Tub Front Gasket	
11	B12539501	Basket and Shaft Assembly	*30 and *135 models; 3 mm
	B12539701	Basket and Shaft Assembly	All other models; 3 mm
12	219/00007/00	Tub Front Ring Clamp	

Bearing Housing

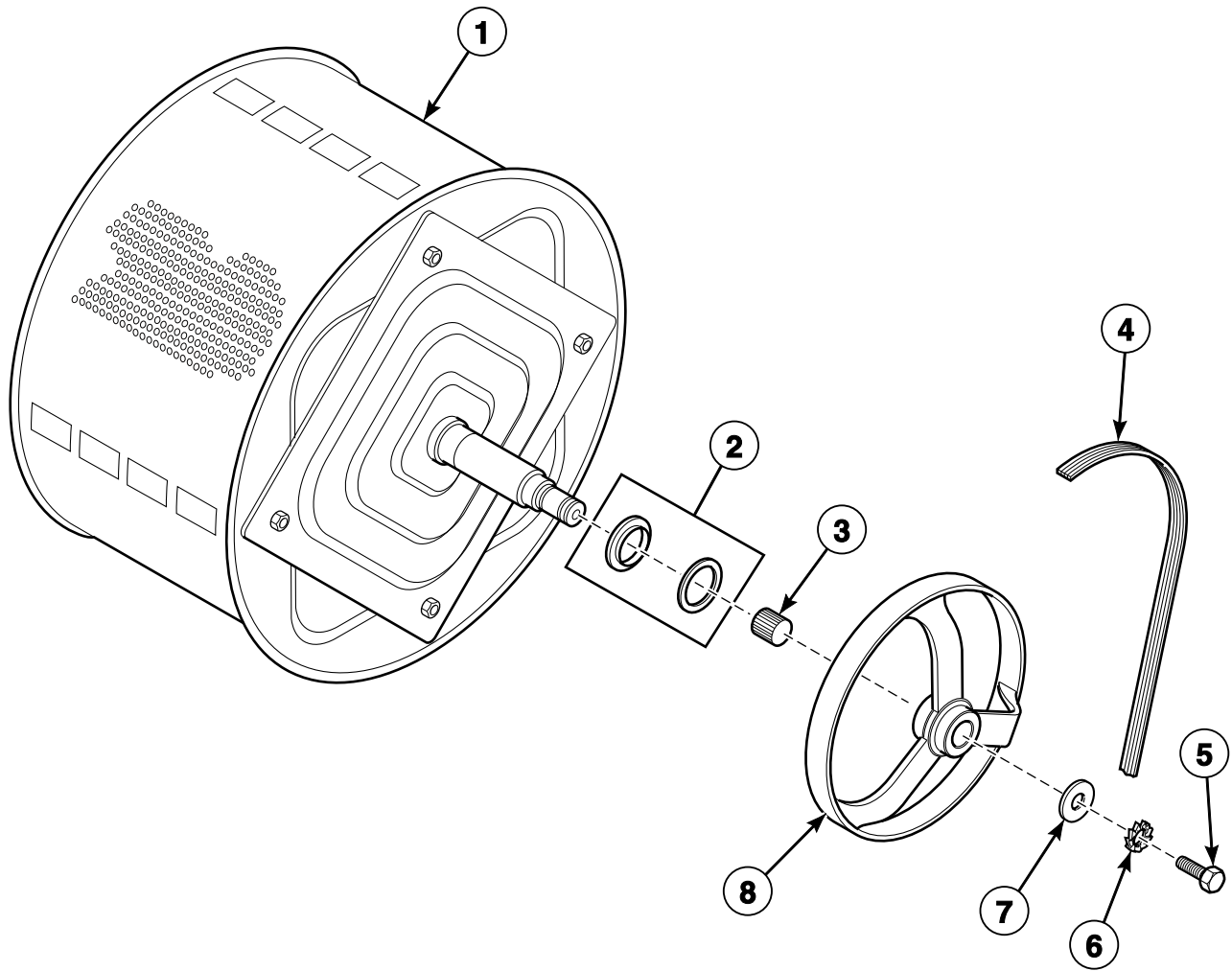


CFD583P_D1359

Bearing Housing

REF	PART NO.	DESCRIPTION	COMMENTS
	3882P	Bearing Kit	Includes items 4, 5, 7, 8, 10, 17, 219/00004/00 Counter Ring and 223/00242/20 Tub Gasket
1	204/00111/00	Nut	
2	201/00012/00	Washer	
3	206/00057/00	Screw	
4	201/00201/00	Washer	
5	205/00102/00	Bolt	
6	224/00051/00	Caddy Bracket	4H58-4
	224/00052/00	Caddy Bracket	4H912
7	B12333701	Seal Plate Assembly	
8	B12332301	Lip Seal	
9	212/00006/00	Retainer Ring	
10	212/00004/00	Ball Bearing	
11	202/00003/00	Washer	
12	203/00004/00	Washer	
13	205/00104/00	Bolt	
14	152/00055/00	Speed Detector Bracket	
15	210/00074/00	Speed Detector	Includes item 14
16	152/10118/01	Bearing Housing Assembly	Includes items 8-10 and 17
	152/10118/00	Bearing Housing Assembly	
17	F100134	Bearing	

Basket, Pulley and Belt

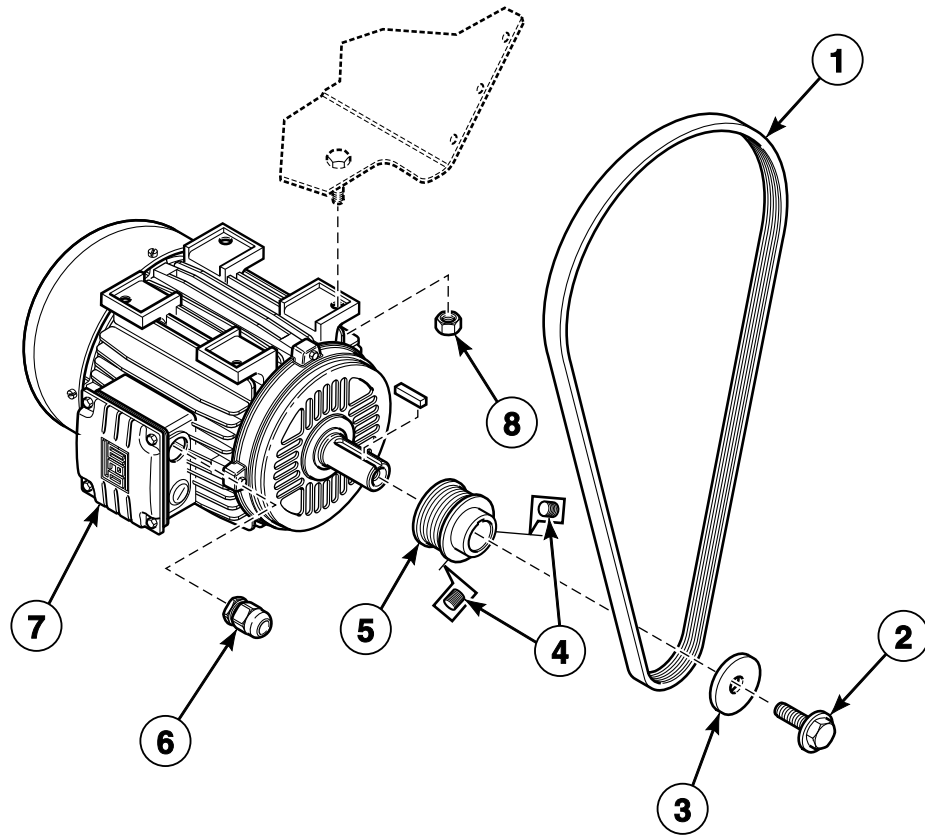


BE000839P_D1359

Basket, Pulley and Belt

REF	PART NO.	DESCRIPTION	COMMENTS
1	B12539501	Basket and Shaft Assembly	*30 and *135 models; 3 mm
	B12539701	Basket and Shaft Assembly	All other models; 3 mm
2	219/00004/00	Counter Ring	
3	215/00004/00	Tolerance Ring	
4	226/00121/00	V Belt	
5	206/00004/00	Bolt	
6	203/00001/00	Washer	
7	201/00003/00	Washer	
8	255/00117/00	Pulley	

Motor and Belt

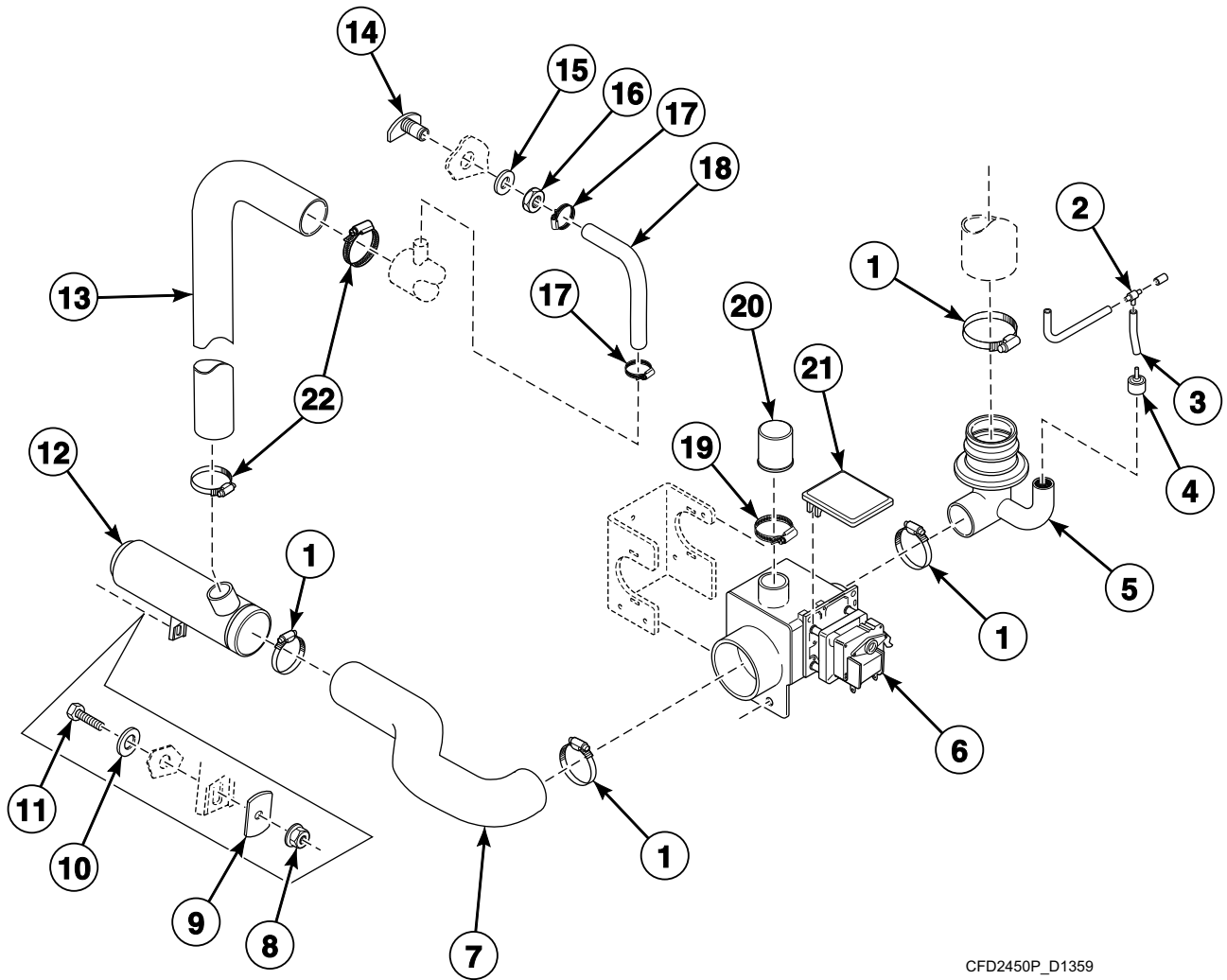


CFD574P_D1359

Motor and Belt

REF	PART NO.	DESCRIPTION	COMMENTS
	B12382102	Motor Harness	
1	226/00121/00	V Belt	
2	206/00006/00	Bolt	
3	201/00015/00	Washer	
4	206/00058/00	Screw	
5	226/00123/00	Motor Pulley	
6	211/00181/00	Strain Relief Connector	
7	B12527601	Motor	
8	204/00109/00	Nut	

Drain Plumbing

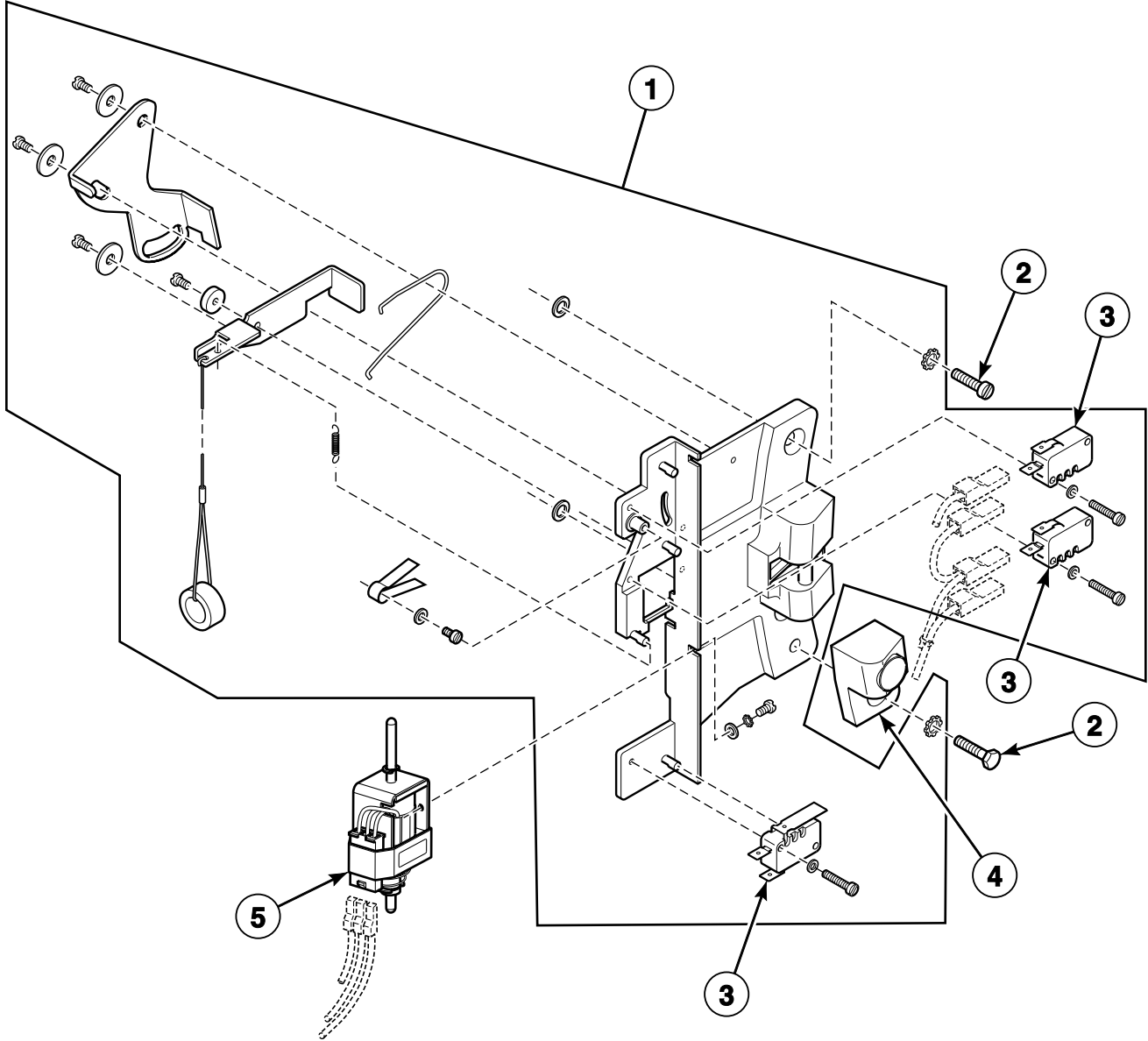


CFD2450P_D1359

Drain Plumbing

REF	PART NO.	DESCRIPTION	COMMENTS
	B12495801	Drain Valve Fuse Harness	WE-8 models
	B12349401	Drain Valve Harness	
1	223/00014/00	Hose Clamp	
2	223/00173/10	Pressure Switch Hose Tee	
3	223/00333/00	Pressure Hose	
4	223/00035/02	Pressure Switch Cap	
5	B12403101	Drain Tub to Drain Valve Hose	
6	209/00075/00	Drain Valve	
7	223/00328/00	Drain Valve to Drain Tube Hose	
8	206/00101/00	Nut	
9	101/00007/00	Outlet Pipe Plate Assembly	
10	201/00007/00	Washer	
11	206/00033/00	Bolt	
12	223/00106/00	Drain Pipe	
13	223/00100/00	Overflow Hose	
14	223/00001/04	Prewash and Mainwash Nozzle	
15	201/00002/00	Washer	
16	204/00201/00	Nut	
17	223/00010/00	Hose Clamp	
18	223/00044/01	Water Hose	
19	223/00223/00	Hose Clamp	
20	223/00086/00	Drain Valve Overflow Plug	
21	223/00225/00	Drain Valve Cover	
22	223/00013/00	Hose Clamp	

Door Lock

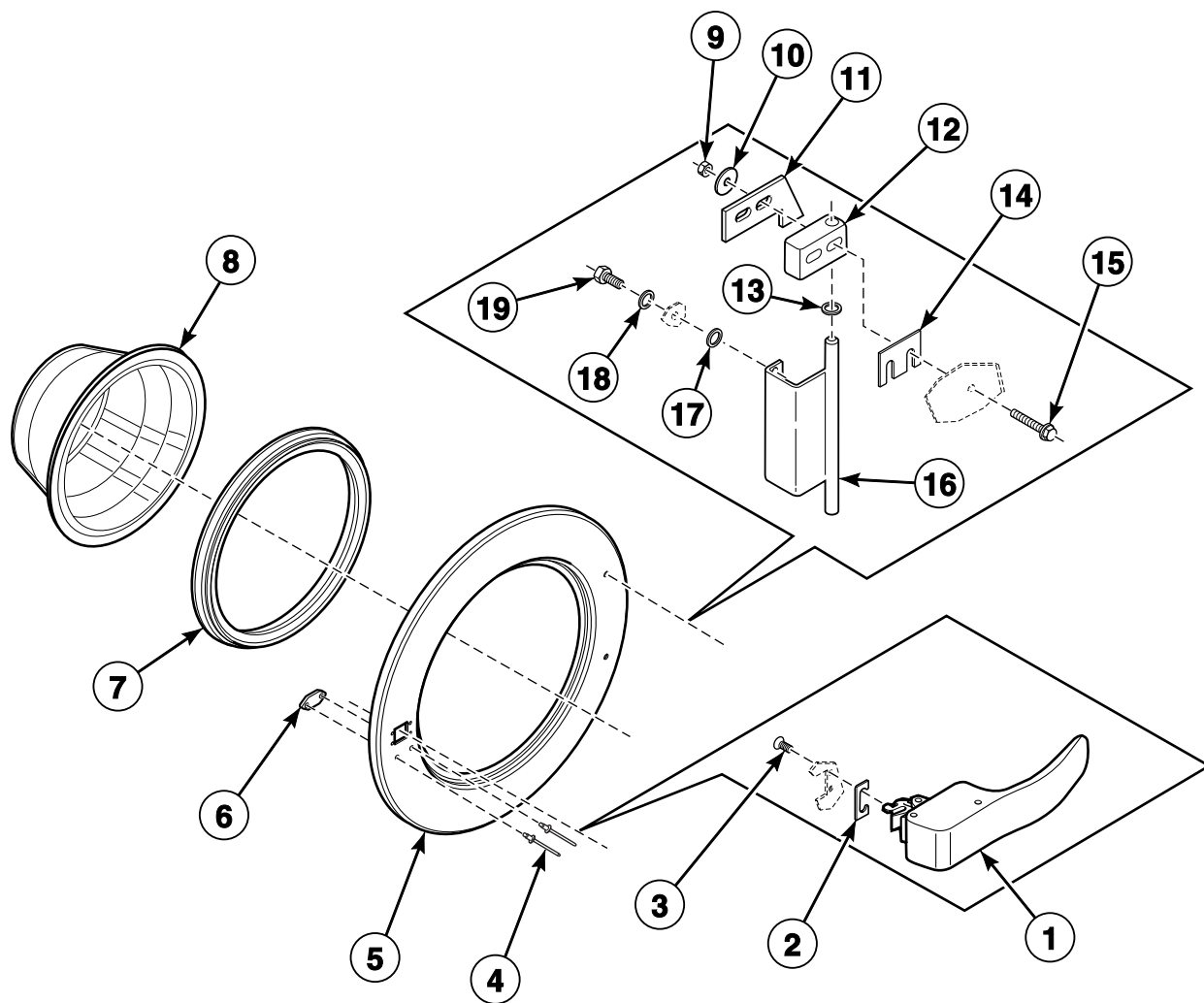


CHM3240P_D1359

Door Lock

REF	PART NO.	DESCRIPTION	COMMENTS
	B12495002	Door Lock Harness	WE-8 models
	B12495001	Door Lock Harness	Cygnus models
	B12517701	Door Lock Assembly	Includes items 1 and 4
1	B12403001	Door Lock Assembly	Includes item 3
2	207/00102/00	Screw	
3	209/00272/00	Door Lock Microswitch	
4	B12517601	Reed Switch Holder	Includes F8080405 Reed Switch Harness and B12502001 Reed Switch Holder
5	B12495101	Door Solenoid	

Door

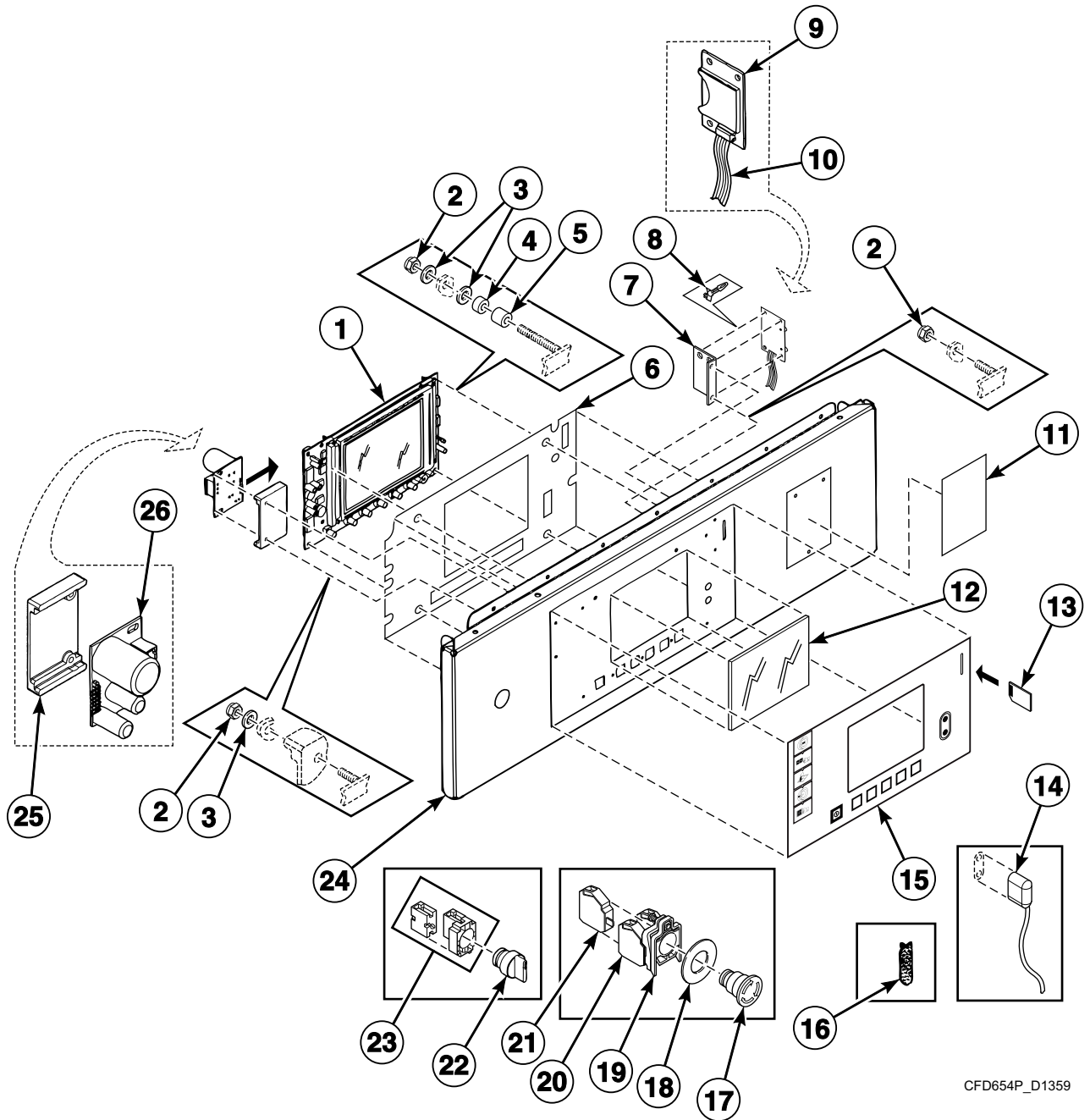


CFD631P_D1359

Door

REF	PART NO.	DESCRIPTION	COMMENTS
1	B12336302	Door Handle	WE-8 models; Gray
	B12336301	Door Handle	Cygnus models; Black
2	217/00016/00	Door Handle Stop	
3	B12500801	Screw	
4	B12500301	Rivet	
5	B12337201	Door Frame	
6	B12389701	Magnet	
7	217/00068/00	Door Glass Seal	
8	217/00023/00	Door Glass	
9	204/00106/00	Nut	
10	202/00110/00	Washer	
11	118/00126/00	Door Stop	
12	253/00022/00	Door Hinge Block	
13	202/00104/00	Washer	
14	118/00122/00	Door Hinge Spacer	
15	207/00126/00	Screw	
16	221/00005/00	Door Hinge	
17	217/00021/00	O-Ring	
18	202/00101/00	Washer	
19	205/00106/00	Bolt	

Control Panel - Cygnus Professional

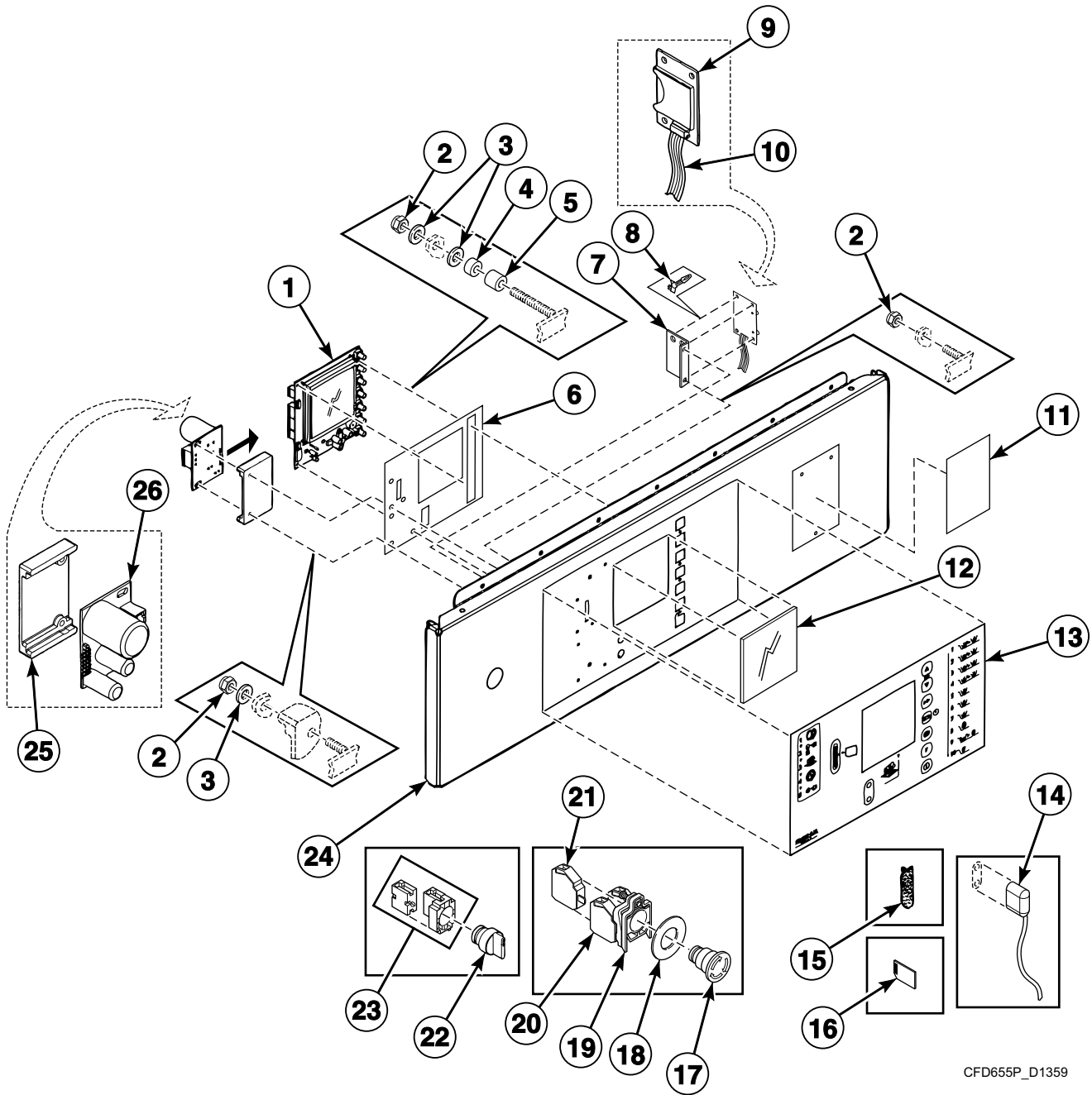


CFD654P_D1359

Control Panel - Cygnus Professional

REF	PART NO.	DESCRIPTION	COMMENTS
	B12348901	E-Stop Harness	
1	209/02002/ZB2	Display PC-Board	
2	204/00116/00	Nut	
3	223/00123/00	Washer	
4	211/00128/00	Printboard Separator	
5	211/00122/00	Standoff	
6	229/00268/00	Insulating Sticker	
7	111/01893/00	Printboard Support Card	Optional
8	211/00145/00	Standoff	
9	B12305201	Memory Card PC-Board	Optional
10	B12538301	Data Card Ribbon Assembly	Optional
11	B12389801	Nameplate	HD and IX models
	B12389802	Overlay	CX models
	B12389804	Overlay	JX models
12	225/00321/00	Plexi Frame	
13	209/02024/00	Datacard	
14	210/00902/00P	Infrared Cable Kit	
15	B12383601	Operating Sticker	Without datacard opening; All models except JXW135Z and JXW165Z
	B12383701	Operating Sticker	With datacard opening; All models except JXW135Z and JXW165Z
	B12532001	Operating Sticker	Models JXW135Z and JXW165Z
16	223/00348/00	Datacard Cover	
17	209/00248/20	Mushroom Pushbutton	
18	209/00520/00	Telem Sticker	
19	B12491801	Contact Harness	
20	209/00029/26	Contact Switch	NC
21	209/00099/26	Contact Switch	NO
22	209/00099/29	Switch Knob	Dual heat
	B12523901	Dual Heat Sticker	Dual heat
23	B12491701	Contact Harness	Dual heat
24	B12356401	Operating Panel	
25	223/00374/00	Mounting Plate	
26	B12388201	Door Lock PC-Board	

Control Panel - Cygnus Premium OPL and Ultra

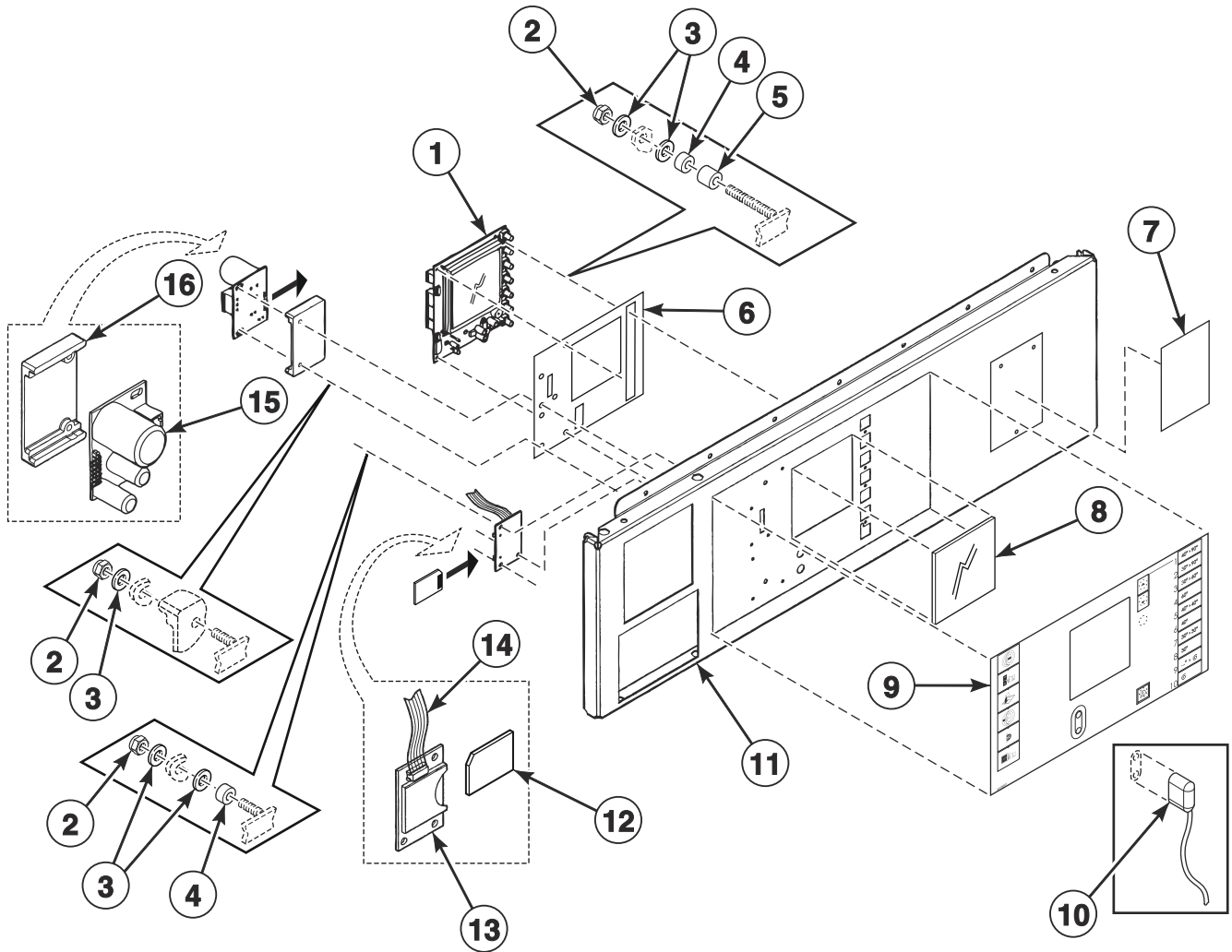


CFD655P_D1359

Control Panel - Cygnus Premium OPL and Ultra

REF	PART NO.	DESCRIPTION	COMMENTS
	B12348901	E-Stop Harness	
1	209/02015/02	Printboard	
2	204/00116/00	Nut	
3	223/00123/00	Washer	
4	211/00128/00	Printboard Separator	
5	211/00122/00	Standoff	
6	229/00291/00	Insulating Sticker	
7	111/01893/00	Printboard Support Card	Optional
8	211/00145/00	Standoff	
9	B12305201	Memory Card PC-Board	Optional
10	B12538301	Data Card Ribbon Assembly	Optional
11	B12389801	Nameplate	HD, IS and IX models
	B12389802	Overlay	CS and CX models
	B12389804	Overlay	JX models
	B12389805	Overlay	PX models
12	225/00323/00	Plexi Frame	
13	B12456701	Operating Sticker	Cygnus Ultra models
	B12383401	Operating Sticker	Cygnus Premium OPL models except JX models; With datacard opening
	B12383301	Operating Sticker	Cygnus Premium OPL models except JX models; Without datacard opening
	B12531901	Operating Sticker	JX models
	B12531801	Operating Sticker	JX models
14	210/00902/00P	Infrared Cable Kit	
15	223/00348/00	Datacard Cover	Cygnus Premium OPL models
16	209/02024/00	Datacard	Cygnus Premium OPL models
17	209/00248/20	Mushroom Pushbutton	
18	209/00520/00	Telem Sticker	
19	B12491801	Contact Harness	
20	209/00029/26	Contact Switch	NC
21	209/00099/26	Contact Switch	NO
22	209/00099/29	Switch Knob	Dual heat
	B12523901	Dual Heat Sticker	Dual heat
23	B12491701	Contact Harness	Dual heat
24	B12356501	Operating Panel	
25	223/00374/00	Mounting Plate	
26	B12388201	Door Lock PC-Board	

Control Panel - Cygnus Premium Coin

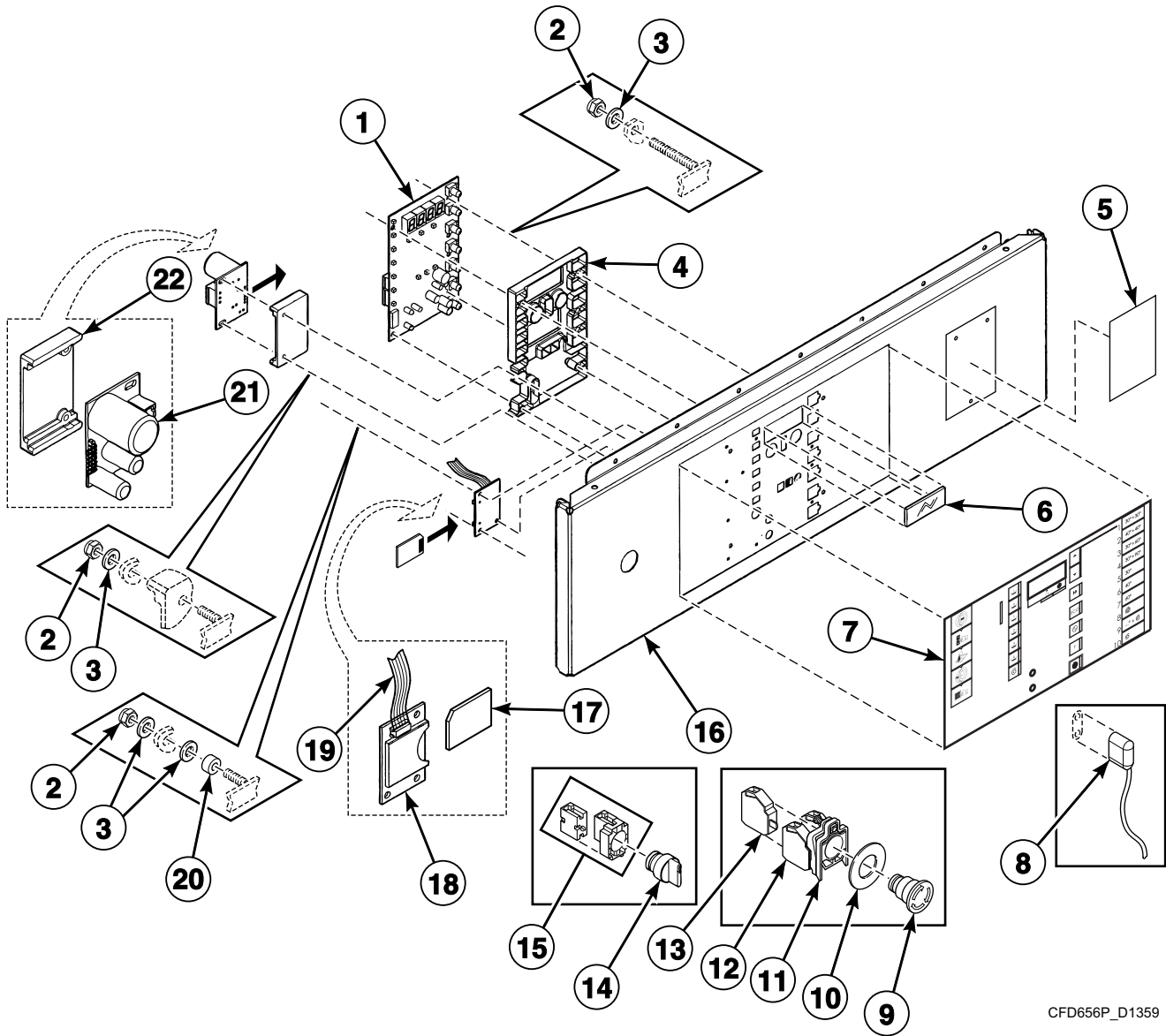


CFD621P_D1359

Control Panel - Cygnus Premium Coin

REF	PART NO.	DESCRIPTION	COMMENTS
	B12349001	E-Stop Bypass Harness	
1	209/02015/02	Printboard	
2	204/00116/00	Nut	
3	223/00123/00	Washer	
4	211/00128/00	Printboard Separator	
5	211/00122/00	Standoff	
6	229/00291/00	Insulating Sticker	
7	B12389801	Nameplate	HD and IX models
	B12389804	Overlay	JX models
	B12389805	Overlay	PX models
8	225/00323/00	Plexi Frame	
9	B12383501	Operating Sticker	
10	210/00902/00P	Infrared Cable Kit	
11	B12354101	Operating Panel	
12	209/02024/00	Datacard	
13	B12305201	Memory Card PC-Board	
14	B12538301	Data Card Ribbon Assembly	
15	B12388201	Door Lock PC-Board	
16	223/00374/00	Mounting Plate	

Control Panel - Cygnus Standard/Commercial OPL

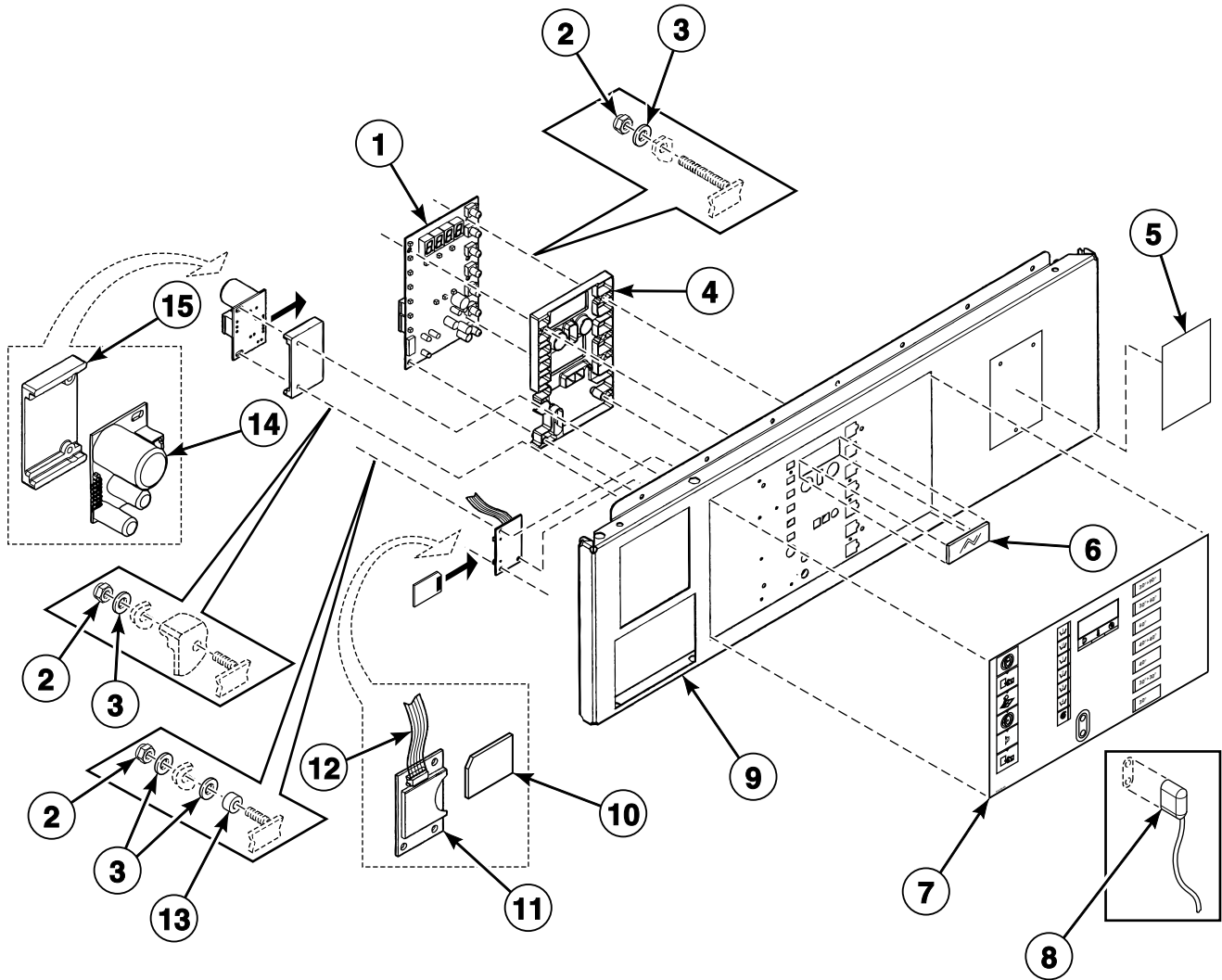


CFD656P_D1359

Control Panel - Cygnus Standard/Commercial OPL

REF	PART NO.	DESCRIPTION	COMMENTS
	B12348901	E-Stop Harness	
1	209/02001/02	Printboard	
2	204/00116/00	Nut	
3	223/00123/00	Washer	
4	223/00330/00	Protection LED	
5	B12389801	Nameplate	HD and IX models
	B12389802	Overlay	CX models
	B12389803	Overlay	DX models
	B12389804	Overlay	JX models
	B12389809	Overlay	EX models
	B12389810	Overlay	WX models
6	225/00322/00	Plexi Frame	
7	B12382701	Operating Sticker	Cygnus Standard OPL models except JX models; Without datacard opening
	B12382801	Operating Sticker	Cygnus Standard OPL models except JX models; With datacard opening
	B12383001	Operating Sticker	Cygnus Commercial OPL models except JX models; Without datacard opening
	B12383101	Operating Sticker	Cygnus Commercial OPL models except JX models; With datacard opening
	B12531801	Operating Sticker	JX models
8	210/00902/00P	Infrared Cable Kit	
9	209/00248/20	Mushroom Pushbutton	
10	209/00520/00	Telem Sticker	
11	B12491801	Contact Harness	
12	209/00029/26	Contact Switch	NC
13	209/00099/26	Contact Switch	NO
14	209/00099/29	Switch Knob	Dual heat
	B12523901	Dual Heat Sticker	Dual heat
15	B12491701	Contact Harness	Dual heat
16	B12356201	Operating Panel	
17	209/02024/00	Datacard	Optional
18	B12305201	Memory Card PC-Board	Optional
19	B12538301	Data Card Ribbon Assembly	Optional
20	211/00128/00	Printboard Separator	
21	B12388201	Door Lock PC-Board	
22	223/00374/00	Mounting Plate	

Control Panel - Cygnus Standard/Commercial Coin and Vended

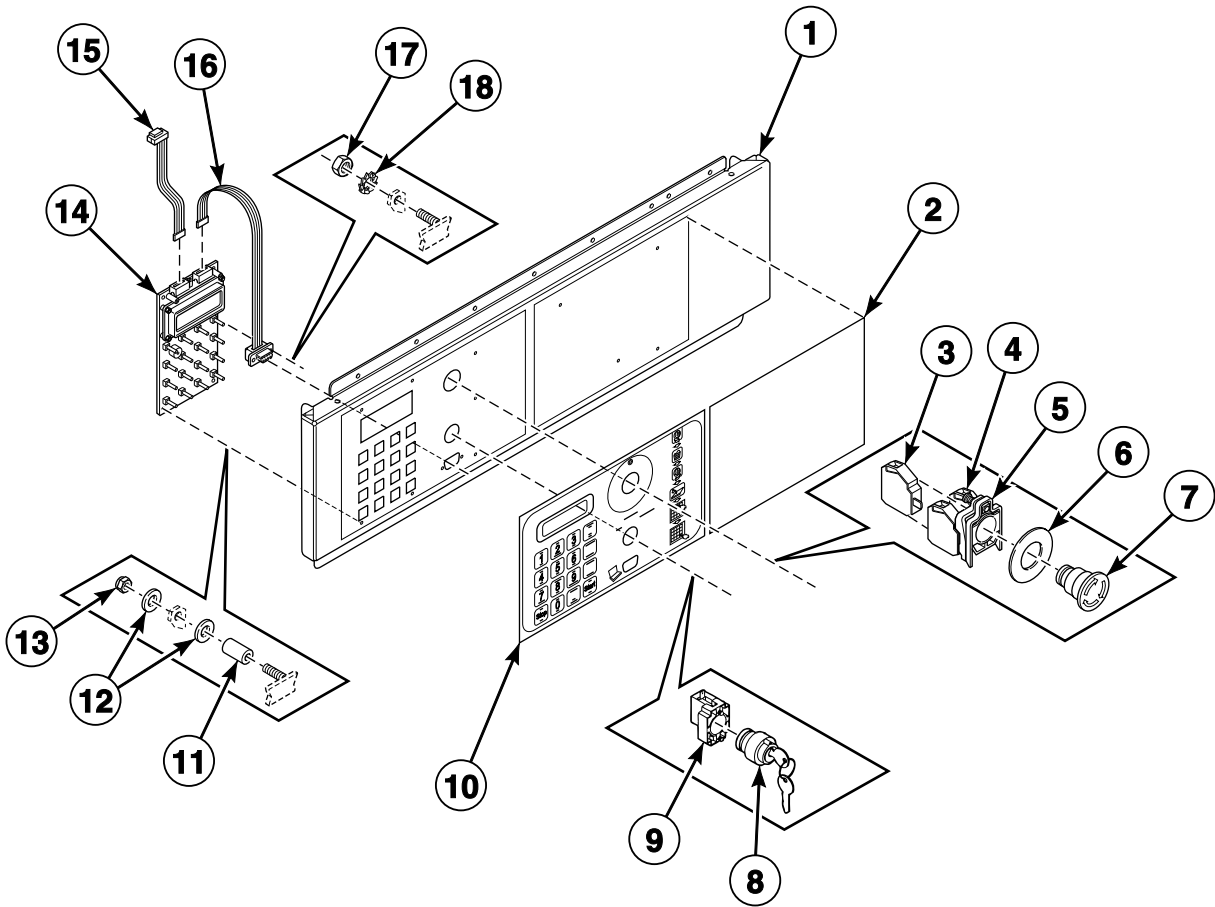


CFD611P_D1359

Control Panel - Cygnus Standard/Commercial Coin and Vended

REF	PART NO.	DESCRIPTION	COMMENTS
	B12349001	E-Stop Bypass Harness	
1	209/02001/02	Printboard	
2	204/00116/00	Nut	
3	223/00123/00	Washer	
4	223/00330/00	Protection LED	
5	B12389801	Nameplate	HD and IX models
	B12389802	Overlay	CX models
	B12389803	Overlay	DX models
	B12389804	Overlay	JX models
	B12389809	Overlay	EX models
	B12389810	Overlay	WX models
6	225/00322/00	Plexi Frame	
7	B12382901	Operating Sticker	Cygnus Standard coin models
	B12383201	Operating Sticker	Cygnus Commercial coin models
	B12456501	Operating Sticker	Cygnus Vended models
8	210/00902/00P	Infrared Cable Kit	
9	B12356301	Operating Panel	
10	209/02024/00	Datacard	Cygnus Standard/Commercial coin models
11	B12305201	Memory Card PC-Board	Cygnus Standard/Commercial coin models
12	B12538301	Data Card Ribbon Assembly	Cygnus Standard/Commercial coin models
13	211/00128/00	Printboard Separator	
14	B12388201	Door Lock PC-Board	
15	223/00374/00	Mounting Plate	

Control Panel - WE-8

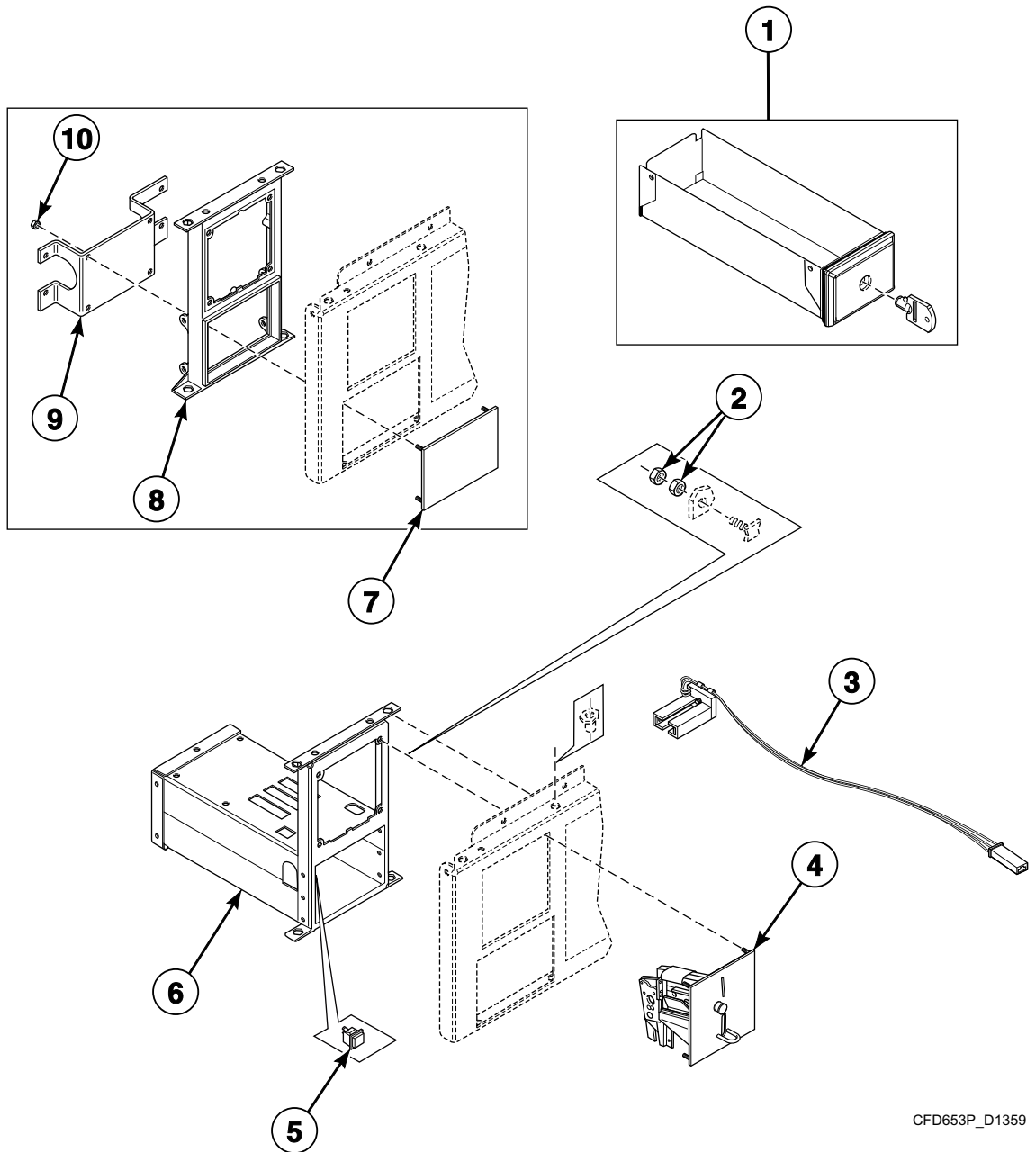


CFD657P_D1359

Control Panel - WE-8

REF	PART NO.	DESCRIPTION	COMMENTS
	B12348902	E-Stop Harness	
	B12348903	E-Stop Drive Harness	
	B12495501	Key Switch Harness	
	B12388302	Ribbon Assembly	
1	B12436301	Operating Panel	
2	F8435601	Overlay	UX models
	225/00435/00	Overlay	SX models
	225/00436/00	Logo Decal	HX models
3	209/00099/26	Contact Switch	NO
4	209/00029/26	Contact Switch	NC
5	B12491801	Contact Harness	
6	209/00520/00	Telem Sticker	
7	209/00248/00	Mushroom Pushbutton	
8	209/00326/20	Programming Key Contact Switch	
9	B12491701	Contact Harness	
10	225/00388/00	Overlay	Control
11	211/00140/00	Spacer	
12	223/00123/00	Washer	
13	204/00116/00	Nut	
14	209/00580/03	Display	
15	B12388302	Ribbon Assembly	
16	B12388305	Ribbon Assembly	
17	204/00008/00	Nut	
18	203/00007/00	Washer	

Coin Drop - Mechanical Coin Meter



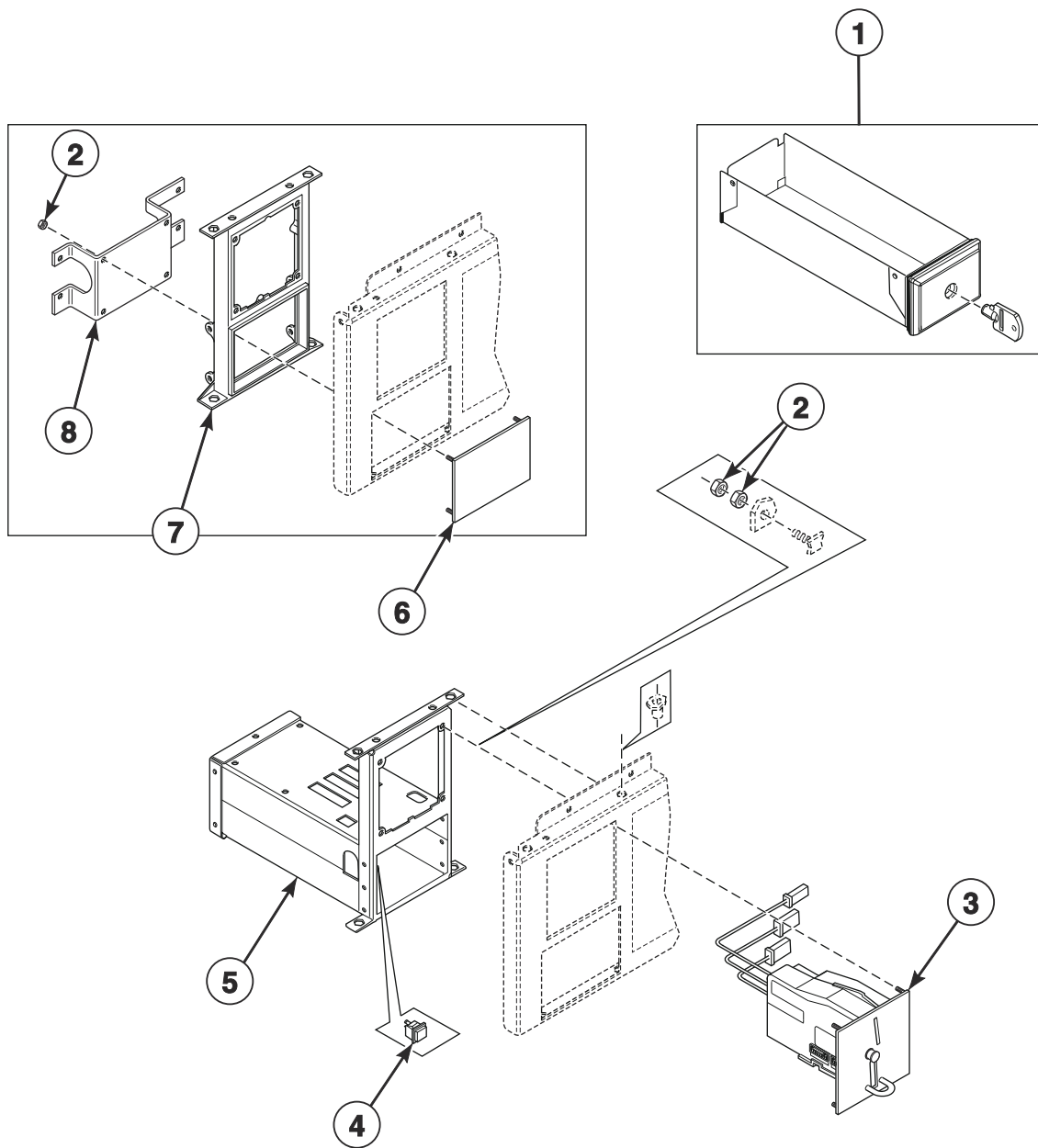
CFD653P_D1359

Coin Drop - Mechanical Coin Meter

REF	PART NO.	DESCRIPTION	COMMENTS
	209/00781/00	Optical Switch	
1	254/00077/00	Coin Box	
	254/00077/02	Key	
2	204/00116/00	Nut	
3	B12309901	Wire Harness Assembly	Single/dual drop
	B12310001	Wire Harness Assembly	B-series; Single/dual drop
4	B12311224	Coin Drop	Mechanical; Jeton 5K
	B12311206	Coin Drop	Mechanical; Jeton 7K
	B12311201	Coin Drop	Mechanical; Jeton 10K
	B12311210	Coin Drop	Mechanical; Jeton 12K
	B12311252	Coin Drop	Mechanical; Jeton 10K and .5 euro
	B12311211	Coin Drop	Mechanical; Jeton 7K and 1 euro
	B12323901	Coin Drop	Mechanical; Jeton 15K and 7K
	B12311204	Coin Drop	Mechanical; Jeton gettone
	B12311234	Coin Drop	Mechanical; Jeton crouzet
	B12311247	Coin Drop	Mechanical; Jeton 118-1
	B12311248	Coin Drop	Mechanical; Jeton 118-5
	B12311222	Coin Drop	Mechanical; 1 euro
	B12311214	Coin Drop	Mechanical; .5 euro
	B12311202	Coin Drop	Mechanical; .5 and 1 euro
	B12311239	Coin Drop	Mechanical; .5 and 2 euro
	B12311205	Coin Drop	Mechanical; .2 and 1 euro
	B11211209	Coin Drop	Mechanical; .2 and .5 euro
	B12311218	Coin Drop	Mechanical; 1 and 1 euro
	B12311219	Coin Drop	Mechanical; 1 and 2 euro
	B12311203	Coin Drop	Mechanical; 1 and 2 frank
	B12311207	Coin Drop	Mechanical; 1 Deense kroon
	B12311225	Coin Drop	Mechanical; 10 Deense kronen
	B12311235	Coin Drop	Mechanical; 10 Tsjechische kronen
	B12311244	Coin Drop	Mechanical; 10 Noorse kronen
	B12311208	Coin Drop	Mechanical; 100 and 500 yen
	B12311212	Coin Drop	Mechanical; 15K
	B12311215	Coin Drop	Mechanical; 1 kro
	B12311226	Coin Drop	Mechanical; Australia 1.00
	B12311216	Coin Drop	Mechanical; Australia .2 and 1.00
	B12311220	Coin Drop	Mechanical; New Zealand 1.00
	B12311221	Coin Drop	Mechanical; .5 and 2 zwitsers
	B12311241	Coin Drop	Mechanical; Hong Kong 1.00
	B12311249	Coin Drop	Mechanical; Hong Kong 5.00
B12311301	Coin Drop	Mechanical; U.S. \$0.25	
B12311302	Coin Drop	Mechanical; U.S. \$0.25 and \$1.00	
B12311304	Coin Drop	Mechanical; Canada 1.00 and .25	
B12323401	Coin Drop	Mechanical; Singapore 1.00	
5	209/00396/00	Pushbutton	
6	152/00112/00	Mechanical Coin Meter Housing	
7	111/01003/00	Top Panel	Black; Central pay option
8	217/00060/00	Fastening Piece	Central pay option
9	111/01005/00	Backplate	Central pay option
10	204/00116/00	Nut	Central pay option

Coin Drop - Electronic Coin Meter

Cygnus Commercial, Premium, Standard and Vended Models

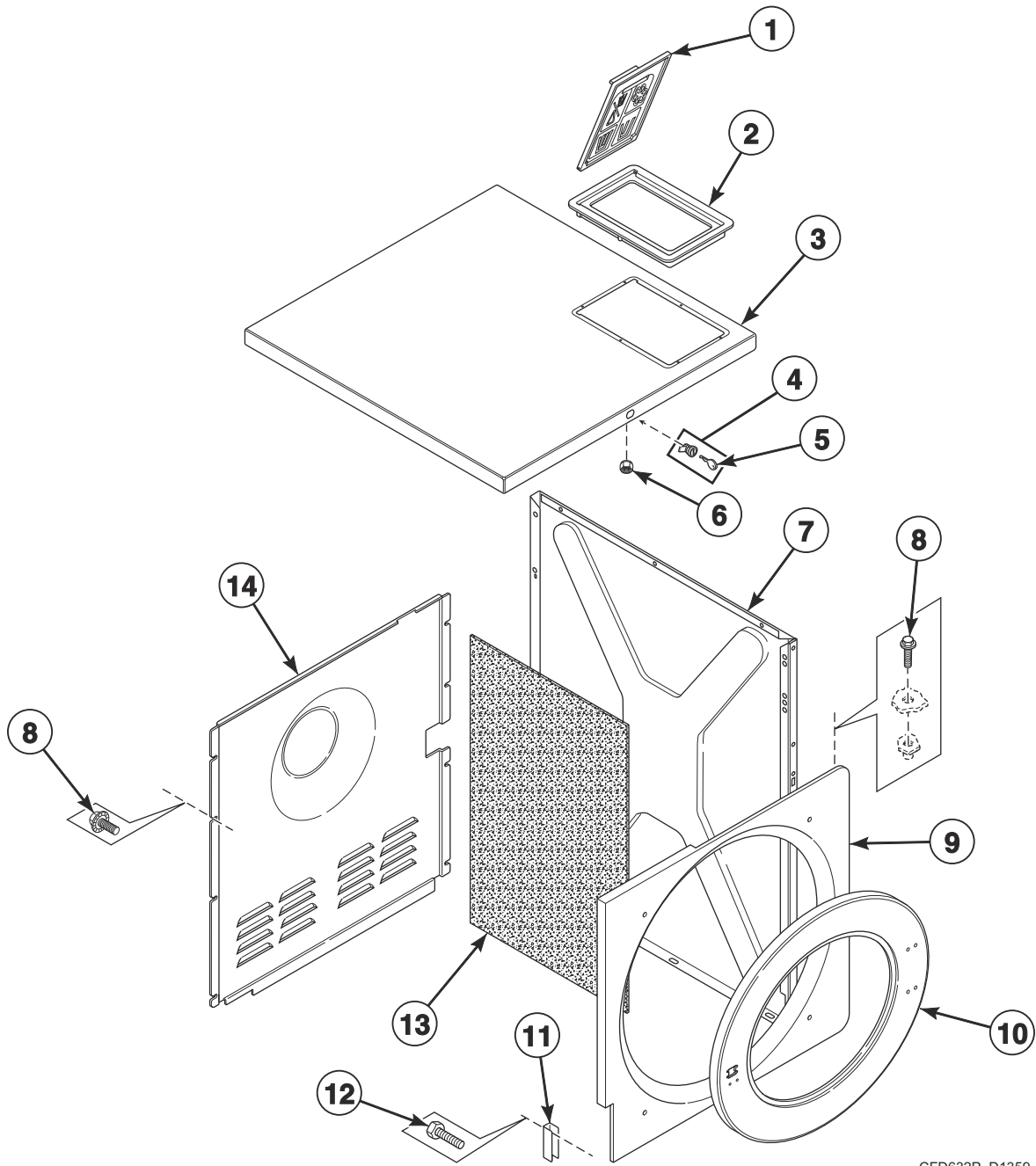


CFD617P_D1359

Coin Drop - Electronic Coin Meter

REF	PART NO.	DESCRIPTION	COMMENTS
	B12309901	Wire Harness Assembly	Single/dual drop
	B12310001	Wire Harness Assembly	Dual drop
1	254/00077/00	Coin Box	
	254/00077/02	Key	
2	204/00116/00	Nut	
3	B12311401	Coin Drop	
4	209/00396/00	Pushbutton	
5	152/00112/50	Electronic Coin Meter Housing	
6	111/01003/00	Top Panel	Black; Central pay option
7	217/00060/00	Fastening Piece	Central pay option
8	111/01005/00	Backplate	Central pay option

Right Side, Front, Lower Rear and Top Panels

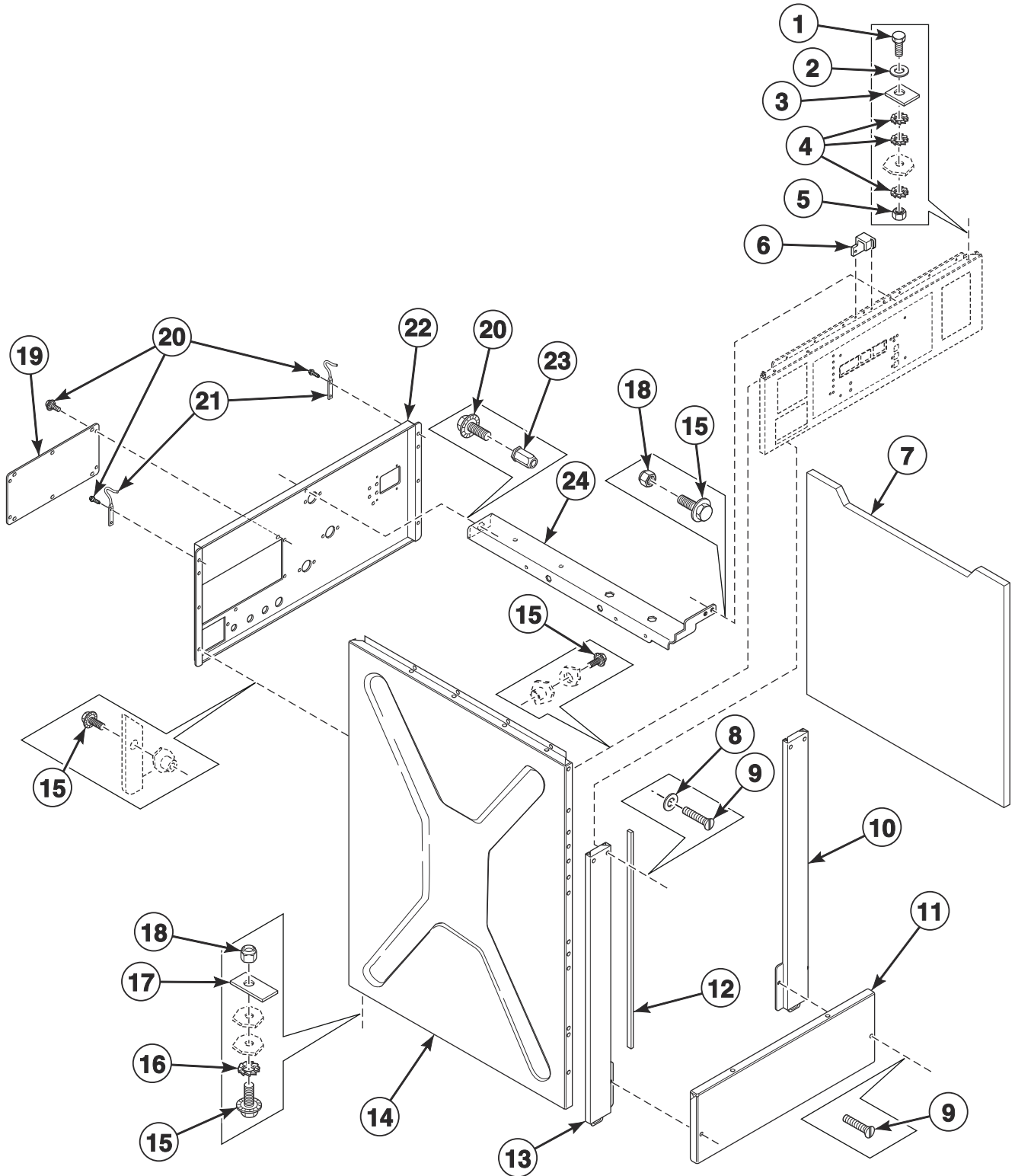


CFD632P_D1359

Right Side, Front, Lower Rear and Top Panels

REF	PART NO.	DESCRIPTION	COMMENTS
1	B12319101	Supply Dispenser Cover	US
	B12356701	Supply Dispenser Cover	International
2	B12319201	Supply Dispenser Cover Frame	
3	B12333001	Top Panel	
4	44089303P	Panel Lock	Includes item 5
5	70155603	Key	
6	B12509101	Nut	
7	111/22723/10	Side Panel	*30 and *135 models; Stainless steel
	111/60035/00	Side Panel	*30 and *135 models; Black
	111/22728/10	Side Panel	All other models; Stainless steel
	111/60036/00	Side Panel	All other models; Black
8	206/00104/00	Screw	
9	B12354401	Front Panel	
10	B12337201	Door Frame	
11	111/10089/01	Reinforcement Plate	
12	206/00114/00	Bolt	
13	246/00079/00	Side Panel Gasket	
14	B12332901	Lower Rear Panel	

Left Side, Lower Front and Upper Rear Panels

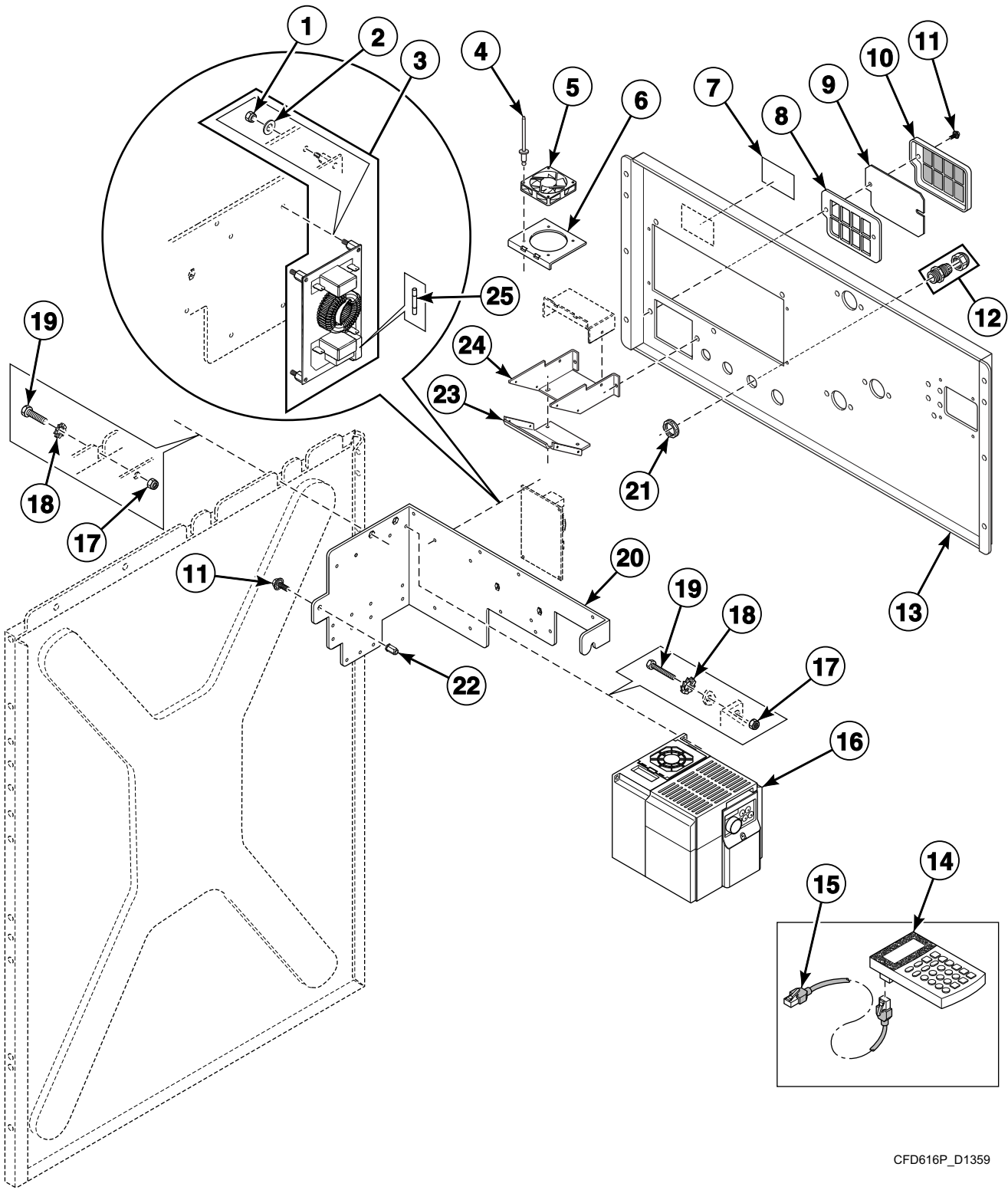


CFD586P_D1359

Left Side, Lower Front and Upper Rear Panels

REF	PART NO.	DESCRIPTION	COMMENTS
1	205/00106/00	Bolt	
2	202/00003/00	Washer	
3	117/00042/00	Retaining Ring	
4	203/00005/00	Washer	
5	204/00107/00	Nut	
6	F8201001	Top Cover Latch	
7	246/00079/00	Side Panel Gasket	
8	208/00009/00	Washer	
9	B12500601	Screw	
10	B12354201	Side Plate	Right
11	B12343301	Lower Front Panel	
12	B12525701	Cellular Rubber	
13	B12354301	Side Plate	Left
14	111/22723/10	Side Panel	*30 and *135 models; Stainless steel
	111/60035/00	Side Panel	*30 and *135 models; Black
	111/22728/10	Side Panel	All other models; Stainless steel
	111/60036/00	Side Panel	All other models; Black
15	205/00105/00	Bolt	
16	203/00004/00	Washer	
17	101/00007/00	Outlet Pipe Plate Assembly	
18	204/00009/00	Nut	
19	B12312501	Main Switch Cover	
20	206/00104/00	Screw	
21	B12487401	Top Cover Hinge	
22	B12332801	Backbridge	
23	204/00011/00	Nut	
24	B12333301	Supply Dispenser Crossbar	*30 and *135 models
	B12333401	Supply Dispenser Crossbar	All other models

Inverter Drive

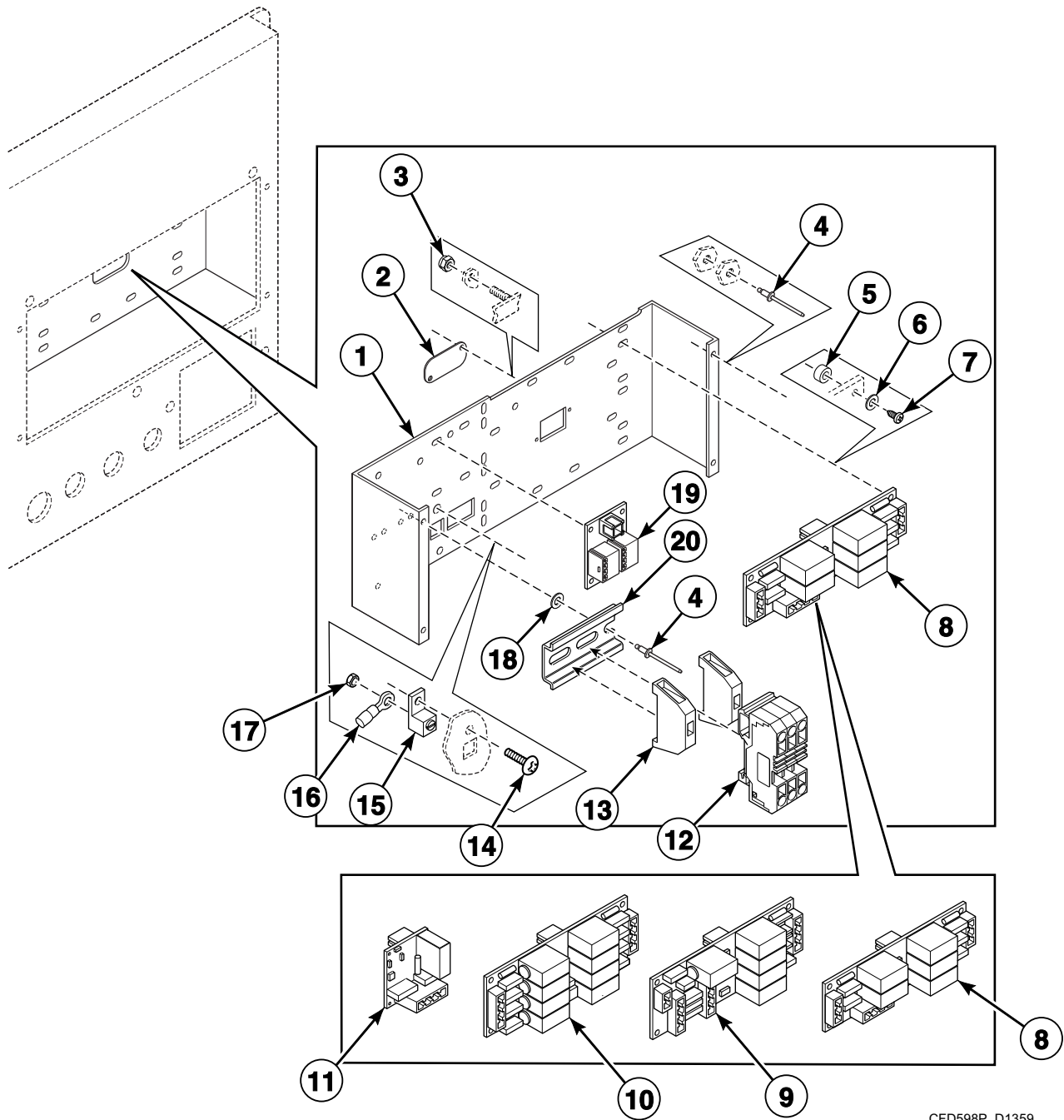


CFD616P_D1359

Inverter Drive

REF	PART NO.	DESCRIPTION	COMMENTS
	B12501501	E-Stop Drive Fan Harness	Cygnus models
	B12501502	E-Stop Drive Fan Harness	WE-8 models
	B12495601	Drive Source Harness	WE-8 models; C, N and P-voltage
	B12350101	Ethernet Cable	Cygnus models
1	204/00014/00	Nut	
2	202/00004/00	Washer	
3	B12339401	Noise Filter	30A1; 1x230 Volt; C, Q and X-voltage
	227/00242/00	Noise Filter	8A3; 3x400 Volt; N and P-voltage
4	208/00017/00	Rivet	
5	209/00465/00	Fan	
6	B12357201	Fan Mounting Plate	
7	B12355001	Voltage Discharge Decal	
8	B12372401	Inverter Air Inlet Filter Frame	Inside
9	B12382401	Inverter Air Inlet Filter Grill	
10	B12346701	Inverter Air Inlet Filter Frame	Outside
11	206/00104/00	Screw	
12	200/00181/00	Strain Relief Connector	
13	B12332801	Backbridge	
14	227/00171/00	Parameter Unit Assembly	Hand held
15	227/00171/10	Parameter Unit Program Cable	
16	227/00230/00	Inverter	Cygnus models; 700 series; 1x230 Volt; C, Q and X-voltage
	F8420917	Inverter	WE-8 models; 700 series; 1x230 Volt; C, Q and X-voltage
	227/00238/00	Inverter	Cygnus models; 700 series; 3x400 Volt; N and P-voltage
	F8420918	Inverter	WE-8 models; 700 series; 3x400 Volt; N and P-voltage
17	204/00114/00	Nut	
18	203/00006/00	Washer	
19	206/00088/00	Bolt	
20	B12333201	Inverter Drive Box	
21	211/00170/00	Nut	
22	204/00011/00	Nut	
23	B12342701	Air Inlet Bottom	
24	B12342501	Air Inlet	
25	B12389501	Fuse	3.15 A; 500 Volt; Used with 227/00242/00 Noise Filter; N and P-voltage
	209/00468/00	Fuse	3.15 A; Used with B12339401 Noise Filter; C, Q and X-voltage

Printboard Support Panel and Soap Injection Printboards - Cygnus Models

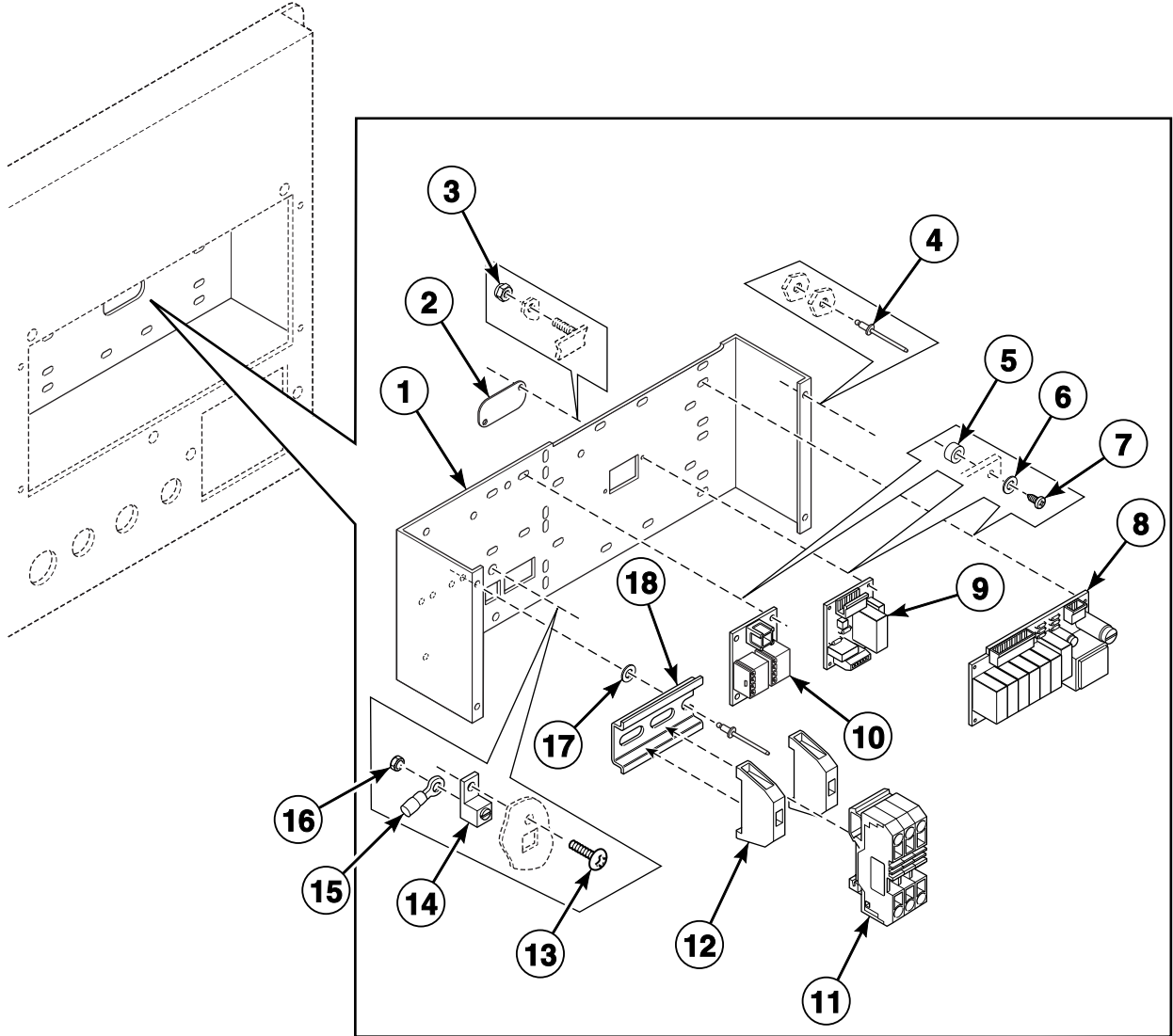


CFD598P_D1359

Printboard Support Panel and Soap Injection Printboards - Cygnus Models

REF	PART NO.	DESCRIPTION	COMMENTS
	B12388301	Ribbon Assembly	Used with items 8-11
	B12529201	Extension Board Kit	Used with items 8-11; Includes items 2-7, 18, B12381402 Control Supply Harness, B12388301 Ribbon Assembly, 201616 Transformer, 70030501 Expansion Clip, B12462901 Screw and B12319608 Diagram; Does not include extension board
	B12529301	Network Kit	Includes items 3, 5-7, 19, 211/00128/00 Printboard Separator, B12341801 Printboard and B12390201 Network Connection Wiring
1	B12312401	Printboard Support	
2	B12382501	Flat Cable Plate	
3	204/00116/00	Nut	
4	208/00017/00	Rivet	
5	B12390301	Standoff	
6	223/00123/00	Washer	
7	B12393801	Screw	
8	209/02005/00	Detergent PC-Board	1-5
9	209/02014/00	Relay PC-Board	5-5
10	209/02008/00	Detergent PC-Board	1-8
11	209/02016/00	Relay PC-Board	1-1
12	209/01625/00	Terminal Block	Gray; 3 on C, N, P and Q-voltage; 1 on X-voltage
	209/01624/00	Terminal Block	Blue; 1 on C and X-voltage
	209/01625/01	Terminal End	
13	209/00633/02	End Stop	
14	206/00104/00	Screw	
15	M411283	Ground Lug Connector	
16	B12456001	Wiring Earth for Inverter	
17	206/00101/00	Nut	
18	202/00004/00	Washer	
19	B12344201	Network Board	Network models
20	B12315401	DIN Rail	60 mm

Printboard Support Panel and Soap Injection Printboards - WE-8 Models

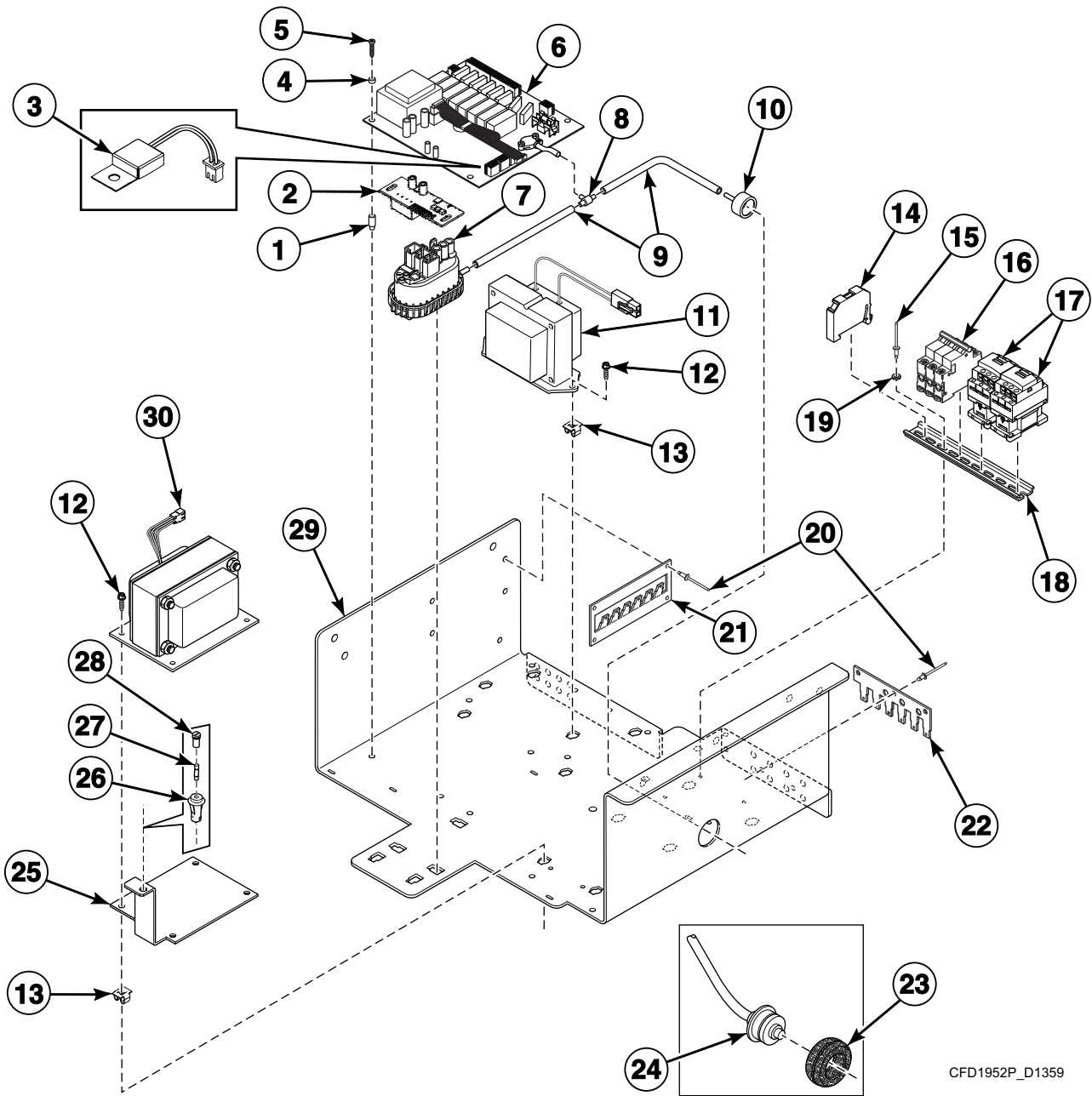


CFD629P_D1359

Printboard Support Panel and Soap Injection Printboards - WE-8 Models

REF	PART NO.	DESCRIPTION	COMMENTS
	B12495702	Soap Board Harness	Used with item 9
1	B12312401	Printboard Support	
2	B12382501	Flat Cable Plate	
3	204/00116/00	Nut	
4	208/00017/00	Rivet	
5	B12390301	Standoff	
6	223/00123/00	Washer	
7	B12393801	Screw	
8	209/00218/13	Soap Injection PCB with Fuse	
9	209/00438/50	Central Control Board	240 Volt
10	B12344201	Network Board	Network models
11	209/01625/00	Terminal Block	Gray; 3 on C, N, P and Q-voltage; 1 on X-voltage
	209/01624/00	Terminal Block	Blue; 1 on C and X-voltage
	209/01625/01	Terminal End	
12	209/00633/02	End Stop	
13	206/00104/00	Screw	
14	M411283	Ground Lug Connector	
15	B12456001	Wiring Earth for Inverter	
16	206/00109/00	Nut	
17	202/00004/00	Washer	
18	B12315401	DIN Rail	60 mm

Electrical Component Mounting Plate - Cygnus Models



CFD1952P_D1359

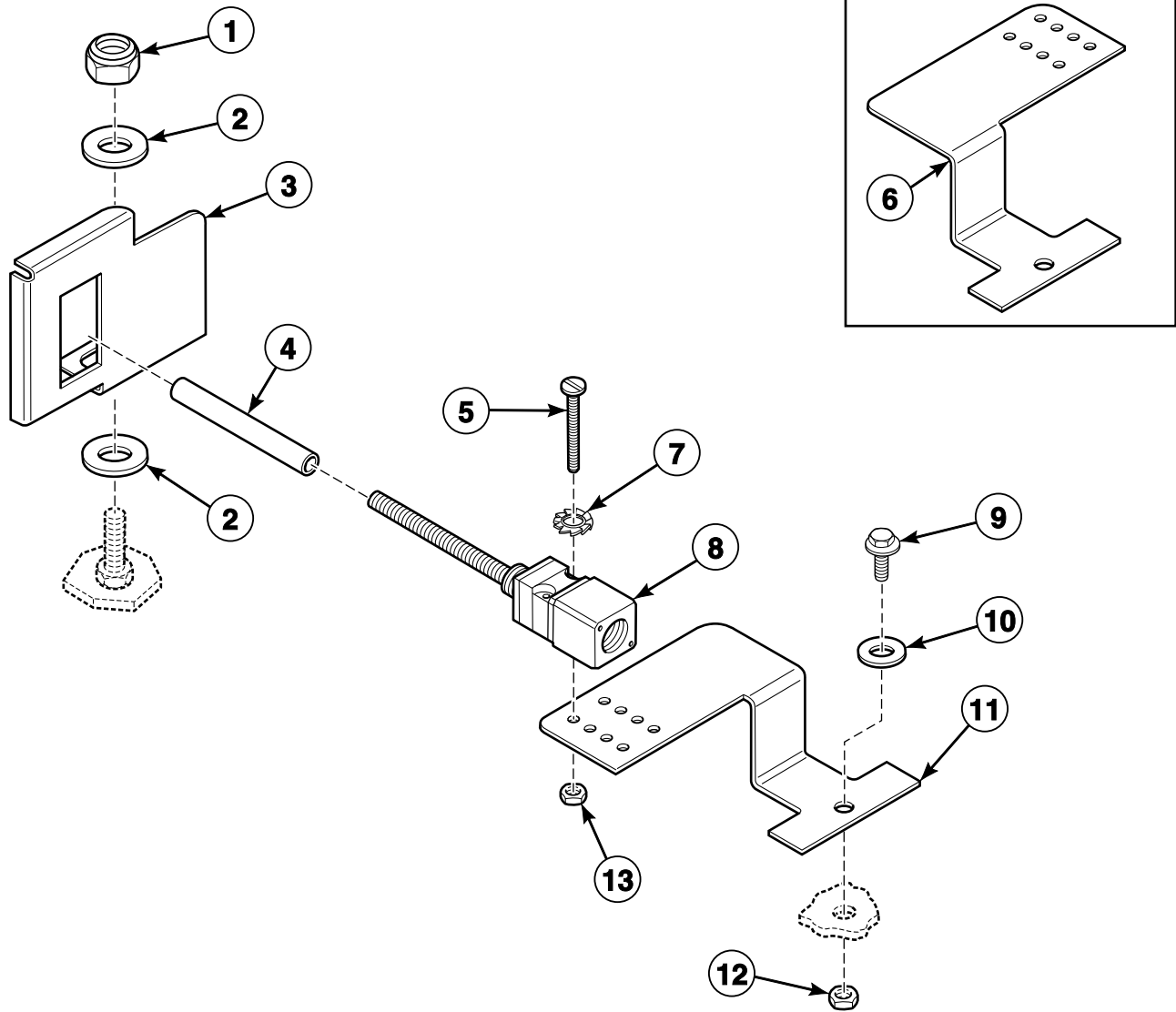
Electrical Component Mounting Plate - Cygnus Models

REF	PART NO.	DESCRIPTION	COMMENTS
	B12392701	Direct Fill Harness	
	B12381101	Main Control Tray Harness	
	B12348801	Harness Control Comm	
	B12348301	Control Supply Harness	N and P-voltage
	B12348101	Control Supply Harness	C, Q and X-voltage
	B12381402	Control Supply Harness	24 VAC; Direct fill
	B12390201	Network Connection Wiring	
1	B12390301	Standoff	
2	B12341801	Printboard	Network models
3	209/02020/00	ID Chip	
4	223/00123/00	Washer	
5	B12393801	Screw	
6	B12360001	Fuse	1.25A
	B12355701	Control Board	
7	B12509601	Pressure Switch	Single lever; 230/195; Electric, steam and dual heat
8	223/00173/10	Pressure Switch Hose Tee	
9	223/00333/00	Pressure Hose	
10	223/00035/02	Pressure Switch Cap	
11	201616	Transformer	Models with extension boards
12	B12462901	Screw	
13	B12449601	Expansion Clip	N and P-voltage
14	209/00633/02	End Stop	Electric, steam and dual heat
15	208/00017/00	Rivet	
16	B12487101	Circuit Breaker	C and Q-voltage; Electric heat
	B12474601	Circuit Breaker	N and P-voltage; Electric heat
17	209/06148/02	Heating Contactor	1 on C, N and P-voltage; 2 on Q-voltage; Electric heat
18	B12315301	DIN Rail	200 mm
19	202/00004/00	Washer	
20	208/00027/00	Rivet	
21	B12395201	Earth Plate Side	
22	B12395301	Earth Plate Bottom	
23	225/10004/00	Thermostat Seal	
24	210/01064/16	Thermostat	
25	B12439601	Transformer Fuse Mounting Plate	N and P-voltage
26	70329401	Fuse Holder Body	N and P-voltage
27	802492	Fuse	N and P-voltage
28	70329501	Fuse Holder Cap	N and P-voltage
29	B12313001	Electrical Component Mounting Plate	
30	F8401301	Transformer	N and P-voltage

Electrical Component Mounting Plate - WE-8 Models

REF	PART NO.	DESCRIPTION	COMMENTS
	B12348303	Control Supply Harness	N and P-voltage
	B12348103	Control Supply Harness	C, Q and X-voltage
	B12381103	Main Control Tray Harness	
	B12392704	Direct Fill Harness	240 Volt
1	B12390301	Standoff	
2	223/00123/00	Washer	
3	B12393801	Screw	
4	9002100	Main Control	
5	209/00372/01	Fuse	.125 Amp
6	223/00173/10	Pressure Switch Hose Tee	
7	223/00333/00	Pressure Hose	
8	B12509601	Pressure Switch	Single lever; 230/195; Electric and steam heat
9	223/00035/02	Pressure Switch Cap	
10	209/00633/02	End Stop	Electric, steam and dual heat
11	208/00027/00	Rivet	
12	B12487101	Circuit Breaker	C and Q-voltage; Electric heat
	B12474601	Circuit Breaker	N and P-voltage; Electric heat
13	209/06148/02	Heating Contactor	1 on C, N and P-voltage; 2 on Q-voltage; Electric heat
14	B12315301	DIN Rail	200 mm
15	202/00004/00	Washer	
16	208/00017/00	Rivet	
17	B12395201	Earth Plate Side	
18	B12395301	Earth Plate Bottom	
19	225/10004/00	Thermostat Seal	
20	210/01064/16	Thermostat	
21	B12449601	Expansion Clip	
22	70329501	Fuse Holder Cap	N and P-voltage
23	802492	Fuse	N and P-voltage
24	70329401	Fuse Holder Body	N and P-voltage
25	B12439701	Transformer Fuse Mounting Plate	N and P-voltage
26	B12462901	Screw	
27	F8401301	Transformer	N and P-voltage
28	B12313002	Electrical Component Mounting Plate	

Balance Switch

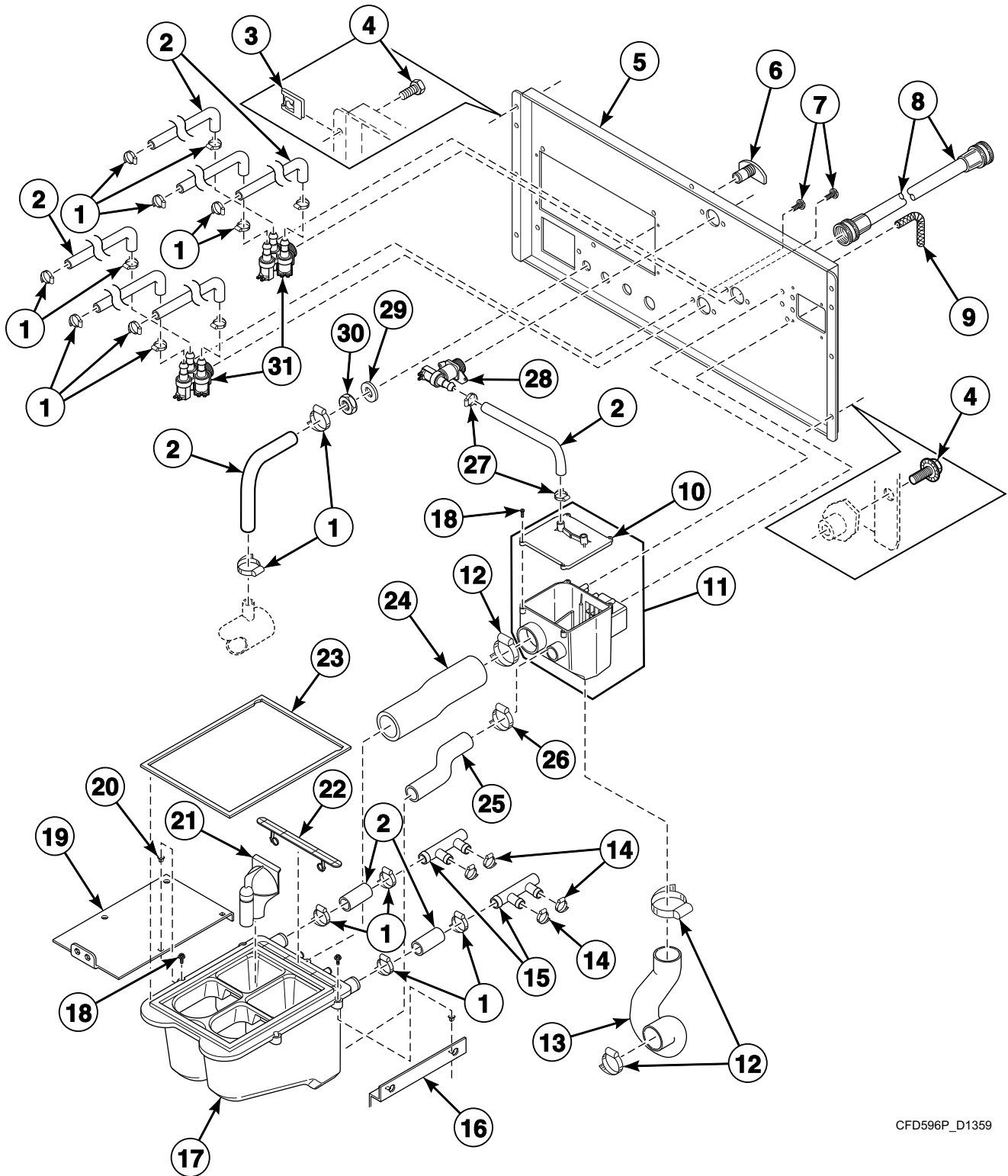


BE000625AP_D1359

Balance Switch

REF	PART NO.	DESCRIPTION	COMMENTS
	B12349901	Out-of-Balance Switch Wiring Harness	Cygnus models
	B12349902	Out-of-Balance Switch Harness	WE-8 models
1	204/00110/00	Nut	
2	201/00010/00	Washer	
3	111/01854/00	Tilt Detector Plate	
4	223/00246/00	Out-of-Balance Switch Boot	
5	207/00018/00	Screw	
6	111/01856/00	Tilt Switch Support	Left
7	203/00006/00	Washer	
8	209/00255/00	Out-of-Balance Switch	
9	206/00104/00	Screw	
10	201/00006/00	Washer	
11	111/01855/00	Tilt Switch Support	Right
12	204/00005/00	Nut	
13	204/00007/00	Nut	

Fill Plumbing Assembly

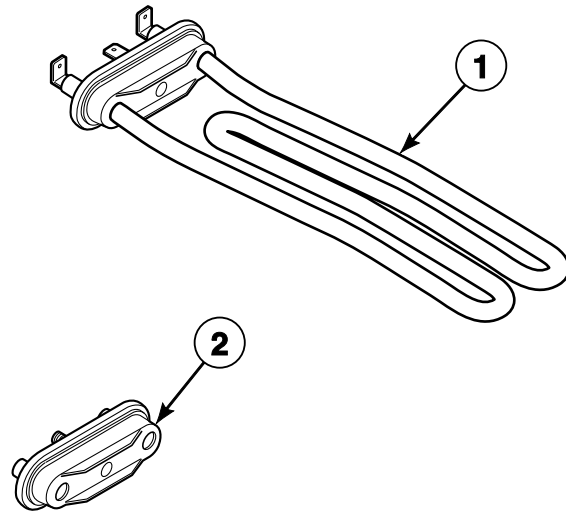


CFD596P_D1359

Fill Plumbing Assembly

REF	PART NO.	DESCRIPTION	COMMENTS
	B12349201	Inlet Valve Harness	Cygnus models
	B12349202	Inlet Valve Harness	WE-8 models
1	223/00010/00	Hose Clamp	
2	223/00044/01	Water Hose	
3	B12449601	Expansion Clip	
4	B12462901	Screw	
5	B12332801	Backbridge	
6	223/00001/04	Prewash and Mainwash Nozzle	
7	206/00027/00	Bolt	
8	F200164	Water Hose	Standard thread
	F200166	Water Hose	Metric thread
9	B12687401	Pressure Hose	
10	F8439301	Vacuum Breaker Cover	
11	F8048601	Vacuum Breaker Assembly	Includes item 10
12	223/00014/00	Hose Clamp	
13	B12324506	Siphon Break Hose	
14	223/00011/00	Hose Clamp	
15	F8333201	Manifold	
16	B12316401	Supply Dispenser Support	
17	F8047401	Dispenser Assembly	
18	B12462801	Screw	
19	B12335101	Supply Dispenser Mounting Plate	
20	B12463001	Insert	
21	F8047901	Siphon Cover	
22	F8047801	Access Cover	
23	F8308301	Dispenser Gasket	
24	B12390004	Vacuum Supply Hose	*30 and *135 models
	B12390005	Vacuum Supply Hose	All other models
25	B12313303	Dispenser Overflow Hose	*30 and *135 models
	B12313304	Dispenser Overflow Hose	All other models
26	223/00223/00	Hose Clamp	
27	223/00013/00	Hose Clamp	
28	209/00276/00	Inlet Valve	1-way; Hard water rinse optional; Metric thread
	223/00050/01	Water Valve Adapter	Standard thread
29	201/00002/00	Washer	
30	204/00201/00	Nut	
31	B12496101	Inlet Valve	3-way; Standard thread
	B12496201	Inlet Valve	3-way; Metric thread

Electric and Steam Heating Options



CFD533P_D1359

Electric and Steam Heating Options

REF	PART NO.	DESCRIPTION	COMMENTS
	B12348501	Branch Harness	N and P-voltage
	B12348506	Branch Harness	Q-voltage
	B12348502	Branch Harness	C-voltage
	B12349602	Electric Heat Harness	WE-8 models
	B12349601	Electric Heat Harness	Cygnus models
	B12349801	Dual Heat Harness	Cygnus models
	B12455803	Heat Harness	1; Q-voltage
	B12455804	Heat Harness	2; Q-voltage
	B12455903	Heat Harness	1; C, N and P-voltage
	B12455904	Heat Harness	2; C, N and P-voltage
	B12381301	Heating Contactor	Q-voltage
	B12308001	Relay	Steam heat
	B12349702	Steam Heat Harness	WE-8 models
	B12349701	Steam Heat Harness	Cygnus models
	B12382302	Steam Valve Harness	Cygnus models
	209/00099/25	Switch Base	Dual heat
	209/00099/29	Switch Knob	Dual heat
	B12381204	Power Jumper Harness	Q-voltage
1	209/00564/20	Heating Element	3kW; 275 Volt; N-voltage
	209/00563/20	Heating Element	*30 and *135 models; 2kW; 240 Volt; C, P and Q-voltage
	209/00562/20	Heating Element	All other models; 3kW; 240 Volt; C, P and Q-voltage
2	209/00196/00	Heating Element Plug	