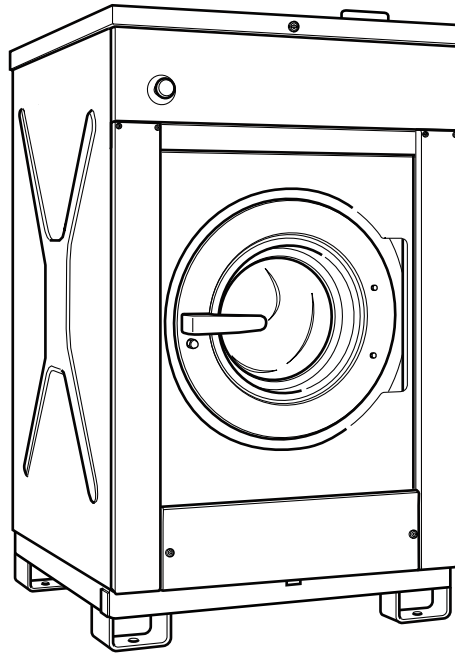


Washer-Extractor

Cabinet Freestanding
Refer to Page 3 for Model Numbers



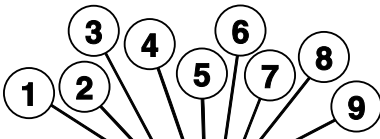
CFD30C_D1358

Model Identification

Information in this manual is applicable to these washer-extractor models:



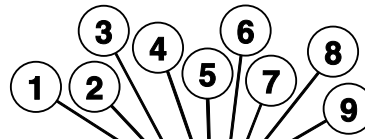
| | | | | |
|-----------------------|---------|---------|---------|---------|
| CS018_CYGNUS-ULTRA | CXR012X | HXU075P | IXU060C | JXW060C |
| CS025_CYGNUS-ULTRA | CXR014X | HXU100P | IXU060X | JXW060Y |
| HD60_CYGNUS-COMM | CXR014Z | HXW075P | IXU060Y | JXW060Z |
| HD60_CYGNUS-PREM | CXR018U | HXW100P | IXU060Z | JXW065C |
| HD60_CYGNUS-PRO | CXR018X | HXZ075P | IXU065C | JXW065Y |
| HD60_CYGNUS-STANDARD | CXR018Z | HXZ100P | IXU065X | JXW075C |
| HD65_CYGNUS-COMM | CXR025U | IXG060C | IXU065Y | JXW075Y |
| HD65_CYGNUS-PREM | CXR025X | IXG060X | IXU065Z | JXW100C |
| HD65_CYGNUS-PRO | CXR025Z | IXG060Y | IXU075C | JXW100Y |
| HD65_CYGNUS-STANDARD | CXU060X | IXG060Z | IXU075X | PXU060Y |
| HD75_CYGNUS-COMM | CXU065Z | IXG065C | IXU075Y | PXU065Y |
| HD75_CYGNUS-PREM | CXU075X | IXG065X | IXU075Z | PXU075Y |
| HD75_CYGNUS-PRO | CXU075Z | IXG065Y | IXU100C | PXU100Y |
| HD75_CYGNUS-STANDARD | CXU100X | IXG065Z | IXU100X | SX18P |
| HD100_CYGNUS-COMM | CXU100Z | IXG075C | IXU100Y | SX25P |
| HD100_CYGNUS-PREM | CXW060X | IXG075X | IXU100Z | SXE018P |
| HD100_CYGNUS-PRO | CXW060Z | IXG075Y | IXW060C | SXE025P |
| HD100_CYGNUS-STANDARD | CXW065X | IXG075Z | IXW060X | SXG075P |
| IS012_CYGNUS-ULTRA | CXW065Z | IXG100C | IXW060Y | SXG100P |
| IS012_CYGNUS-VENDED | CXW075X | IXG100X | IXW060Z | SXN075P |
| IS018_CYGNUS-ULTRA | CXW075Z | IXG100Y | IXW065C | SXN100P |
| IS018_CYGNUS-VENDED | CXW100X | IXG100Z | IXW065X | SXR018P |
| IS025_CYGNUS-ULTRA | CXW100Z | IXN060C | IXW065Y | SXR025P |
| IS025_CYGNUS-VENDED | CXZ060X | IXN060U | IXW065Z | SXU075P |
| CXE012X | CXZ060Z | IXN060V | IXW075C | SXU100P |
| CXE012Z | CXZ065X | IXN060X | IXW075X | SXW075P |
| CXE014X | CXZ065Z | IXN060Y | IXW075Y | SXW100P |
| CXE014Z | CXZ075X | IXN060Z | IXW075Z | SXZ075P |
| CXE018X | CXZ075Z | IXN065C | IXW100C | SXZ100P |
| CXE018Z | CXZ100X | IXN065X | IXW100X | UX18P |
| CXG060X | CXZ100Z | IXN065Y | IXW100Y | UX25P |
| CXG060Z | DXU060X | IXN065Z | IXW100Z | UXE018P |
| CXG065X | DXU065X | IXN075C | IXZ060C | UXE025P |
| CXG065Z | DXU075X | IXN075U | IXZ060X | UXG075P |
| CXG075X | DXU100X | IXN075V | IXZ060Y | UXG100P |
| CXG075Z | EXU065X | IXN075X | IXZ060Z | UXN075P |
| CXG100X | EXU075X | IXN075Y | IXZ065C | UXN100P |
| CXG100Z | EXU100X | IXN075Z | IXZ065X | UXR018P |
| CXN060X | HX18P | IXN100C | IXZ065Y | UXR025P |
| CXN060Z | HX25P | IXN100U | IXZ065Z | UXU075P |
| CXN065X | HXE018P | IXN100V | IXZ075C | UXU100P |
| CXN065Z | HXE025P | IXN100X | IXZ075X | UXW075P |
| CXN075U | HXG075P | IXN100Y | IXZ075Y | UXW100P |
| CXN075X | HXG100P | IXN100Z | IXZ075Z | UXZ075P |
| CXU060Z | HXN075P | IXR012U | IXZ100C | UXZ100P |
| CXU065X | HXN100P | IXR018U | IXZ100X | WXU060C |
| CXN075Z | HXR018P | IXR025U | IXZ100Y | WXU065C |
| CXN100U | HXR025P | | IXZ100Z | WXU075C |
| CXN100X | | | | WXU100C |
| CXN100Z | | | | |

Cabinet Freestanding Washer-Extractor Product Overview




| | |
|---|---------------------------------|
| Model No: IXU135XNCU0E | Serial No: 12090AE0036 |
| Volts: 380-415V | Type: HD135 |
| Hertz: 50(60)Hz | 1 3 |
| Phase: 3+N | Capacity: 30/13.2 lbs/kg |
| Amps: 24.3 amps | Water: 28-85 psi |
| Recommended Circuit Breaker: 25 amps | Pressure: 2-6 bar |
| Electrical Heating: 12-14. kW | Max Speed: 1000 rpm |
| Steam Heat: N/A psi | Net Weight: 788 lbs |
| Sound Level: 62/73 dBA | Weight: 358 kg |
| | IPX4 |
| | sfc 807393 |

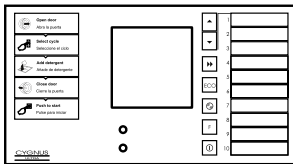
Alliance International BVBA
 Nieuwstraat 146
 8560 Wevelgem
 Belgium
 Tel: +32 56 41 20 54
 Fax: +32 56 41 86 74
 www.ipso.be
 Country of origin: Belgium

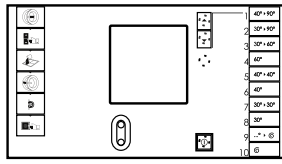
| | |
|---|---------------------------------|
| Model No: IHM185SNLXUOP | Serial No: 1209BG0043 |
| Volts: 200-240V | Type: WD185 |
| Hertz: 60(50)Hz | 1 3 |
| Phase: 1 | Capacity: 40/18.2 lbs/kg |
| Amps: 3.5 amps | Water: 28-85 psi |
| Recommended Circuit Breaker: 15 amps | Pressure: 2-6 bar |
| Electrical Heating: N/A kW | Max Speed: 470 rpm |
| Steam Heat: N/A psi | Net Weight: 618 lbs |
| Sound Level: 62/73 dBA | Weight: 281 kg |
| | IPX4 |
| | sfc 807410 |

Alliance International BVBA
 Nieuwstraat 146
 8560 Wevelgem
 Belgium
 Tel: +32 56 41 20 54
 Fax: +32 56 41 86 74
 www.ipso.be
 Country of origin: Belgium

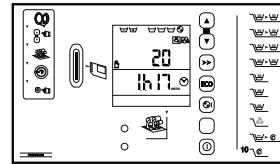




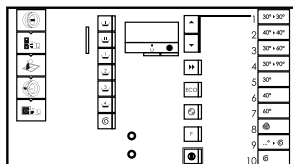
Cygnus Ultra



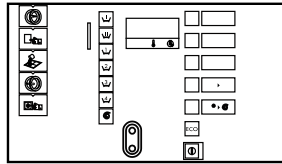
Cygnus Premium Coin



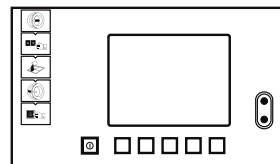
Cygnus Premium OPL



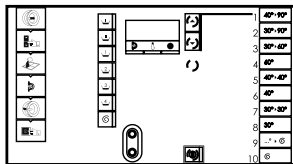
Cygnus Commercial



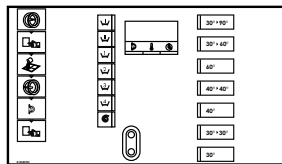
Cygnus Standard OPL



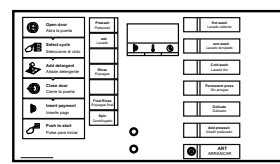
Cygnus Professional



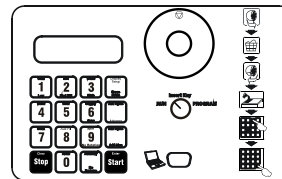
Cygnus Commercial Vended



Cygnus Standard Vended



Cygnus Vended



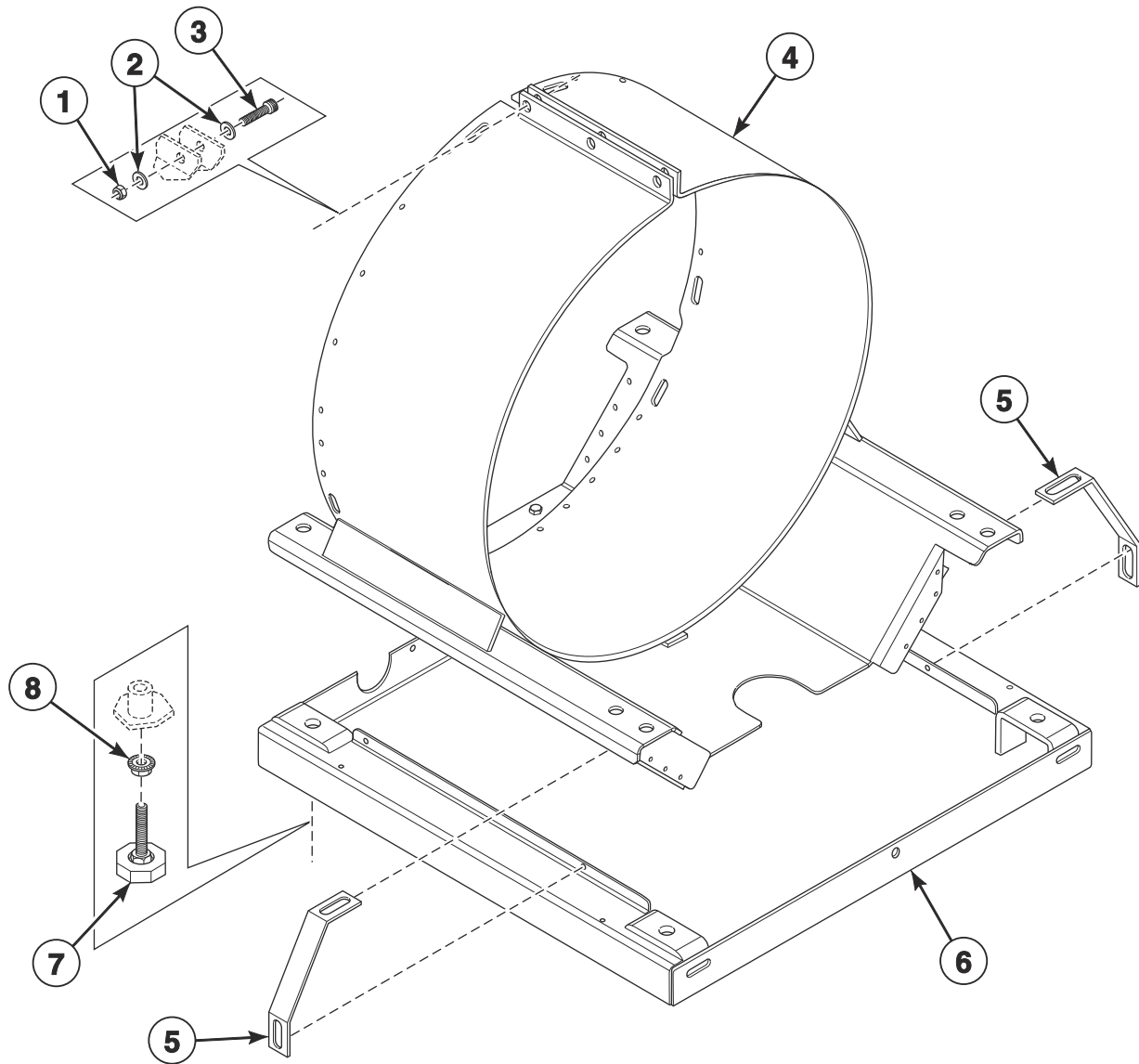
WE-8

CFD624P_D1358

Cabinet Freestanding Washer-Extractor Product Overview

| REF | PART NO. | DESCRIPTION | COMMENTS |
|-----|----------|----------------|--|
| 1 | - | Product Family | CS CX DX EX HD HX IS IX JX PX SX UX WX |
| 2 | - | Market | G (GOS) N (US ETL/ETL[C]) R (US ETL/ETL[C]) U (EU [CE]) W (EU [CE] WRAS) Z (No Agency Int.) |
| 3 | - | Capacity | 12 14 18 25 60 65 75 100 |
| 4 | - | Control | C (Cygnus Standard) P (WE-8) U (Cygnus Ultra) V (Cygnus Vended) X (Cygnus Commercial) Y (Cygnus Premium) Z (Cygnus Professional) |
| 5 | - | Actuation | C (Single Coin Drop) D (Dual Coin Drop) E (Electronic Coin Drop) L (Central Pay Pulses) N (OPL) S (Central Pay Serial Comm) |
| 6 | - | Speed | H (High Speed) |
| 7 | - | Voltage | C (380-415/50-60/3/4) N (440-480/50-60/3/3) P (380-415/50-60/3/3) Q (200-208/220-240/50-60/3/3) X (200-208/220-240/50-60/1/2/2) |
| 8 | - | Cabinet | I (Stainless Steel Side Panels) U (Standard) |
| 9 | - | Design | 1 |

Frame

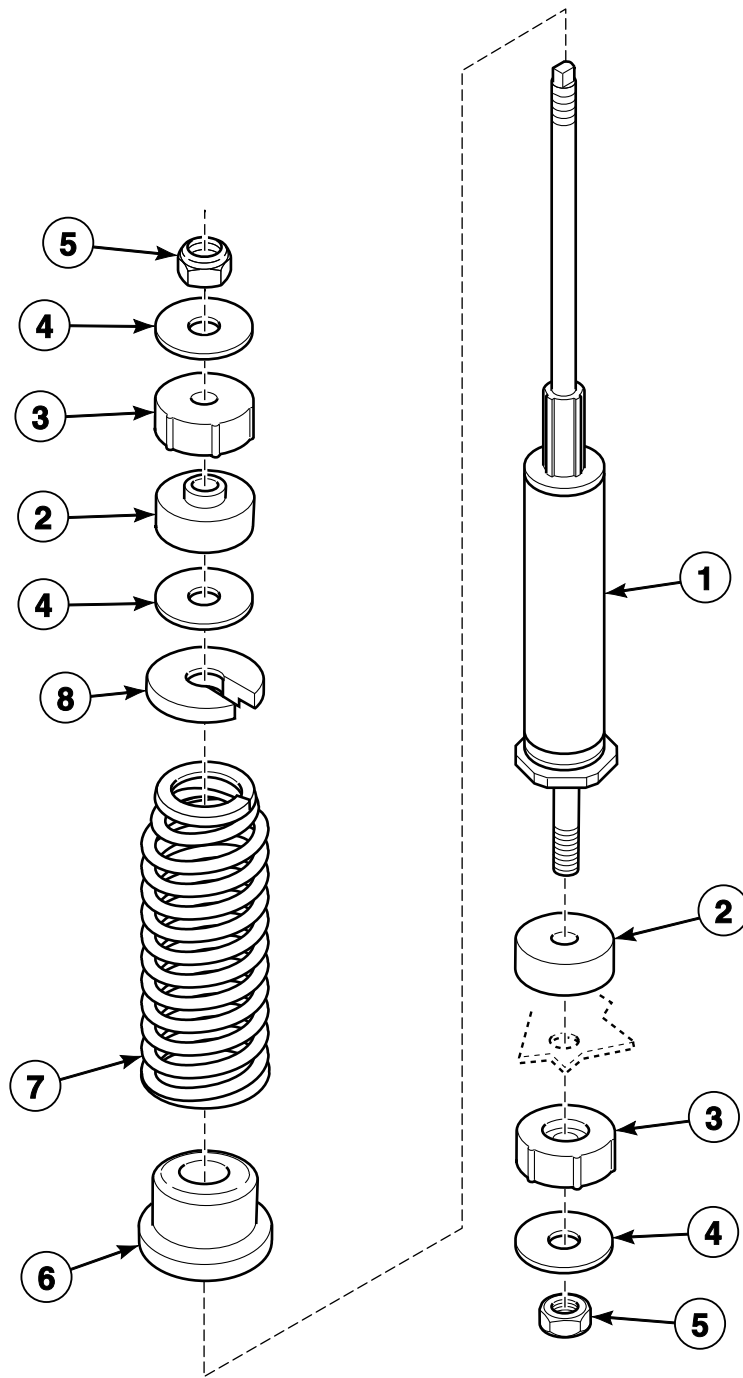


CFD552P_D1358

Frame

| REF | PART NO. | DESCRIPTION | COMMENTS |
|-----|--------------|---------------------|------------------------------|
| 1 | 204/00111/00 | Nut | |
| 2 | 201/00005/00 | Washer | |
| 3 | 206/00053/00 | Screw | |
| 4 | B12490501 | Tub Support | *25 and *100 models |
| | B12490201 | Tub Support | All other models |
| 5 | B12364401 | Transportation Back | *12, *14, *60 and *65 models |
| | B12364501 | Transportation Side | *18 and *75 models |
| | 185/00009/12 | Shipping Brace | *25 and *100 models |
| 6 | 152/00102/00 | Frame | *25 and *100 models |
| | B12344001 | Frame | All other models |
| 7 | 252/00006/00 | Leveling Leg | |
| 8 | 206/00106/00 | Nut | |

Shock Absorber

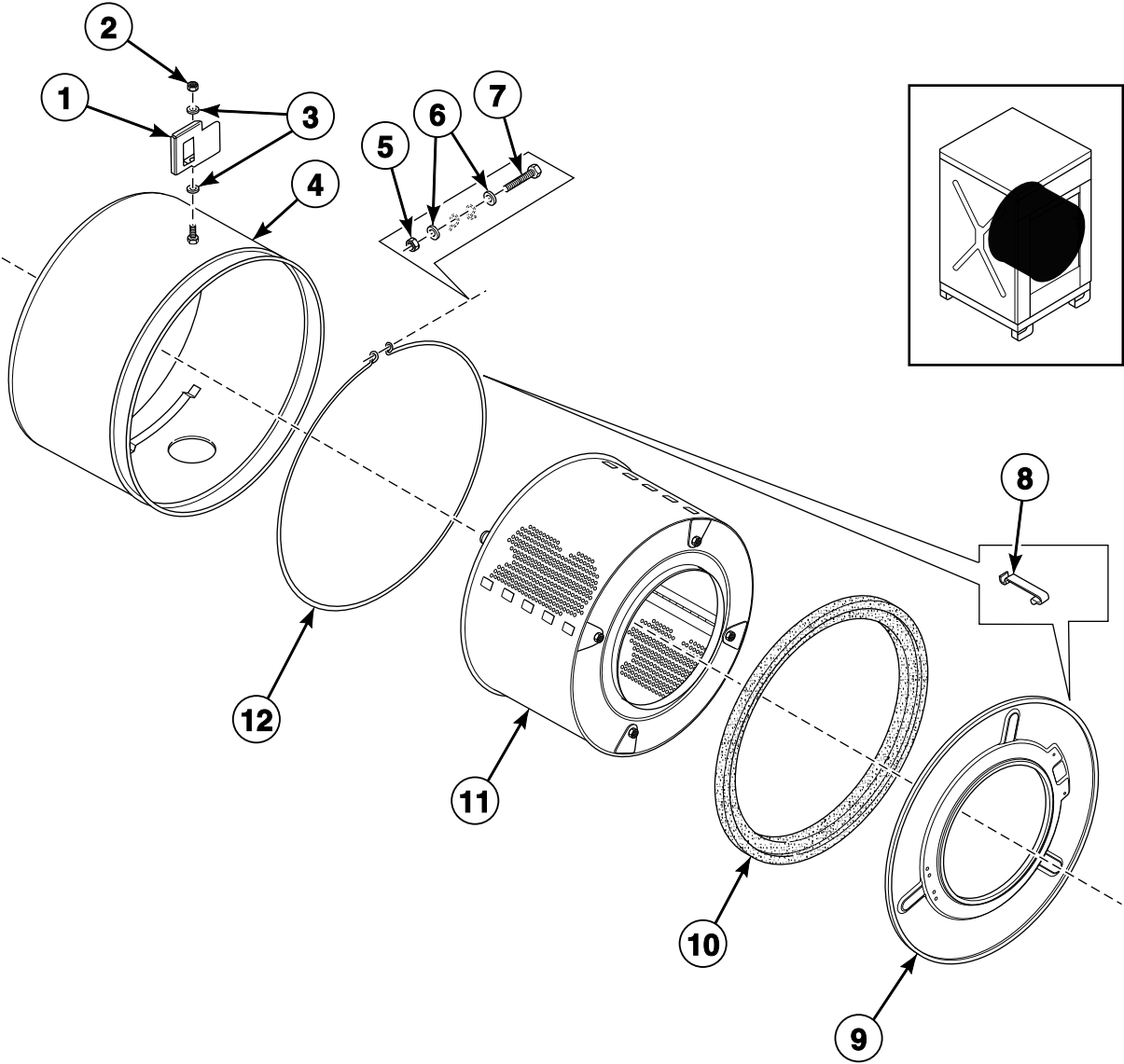


BE000626P_D1358

Shock Absorber

| REF | PART NO. | DESCRIPTION | COMMENTS |
|-----|--------------|--------------------|---|
| 1 | 247/00002/02 | Shock Absorber | |
| | 247/00003/00 | Shock Absorber | Includes items 1, 2, 4, 6, 8 and 247/00002/01 Suspension Spring |
| 2 | 247/00006/00 | Fastening Rubber | |
| 3 | 247/00007/00 | Fastening Rubber | |
| 4 | 201/00015/00 | Washer | |
| 5 | 204/00110/00 | Nut | |
| 6 | 247/00001/03 | Spring Seat Bottom | |
| 7 | 247/00009/00 | Suspension Spring | Red; 5 mm diameter |
| | 247/00002/01 | Suspension Spring | Blue; 5.5 mm diameter |
| | 247/00001/01 | Suspension Spring | Black; 4.8 mm diameter |
| | 247/00002/03 | Shock Absorber | Includes items 2, 4 and 247/00009/00 Suspension Spring |
| | 247/00002/00 | Shock Absorber | Includes items 2, 4 and 247/00001/01 Suspension Spring |
| 8 | 247/00001/04 | Spring Holder Top | |

Shell and Basket

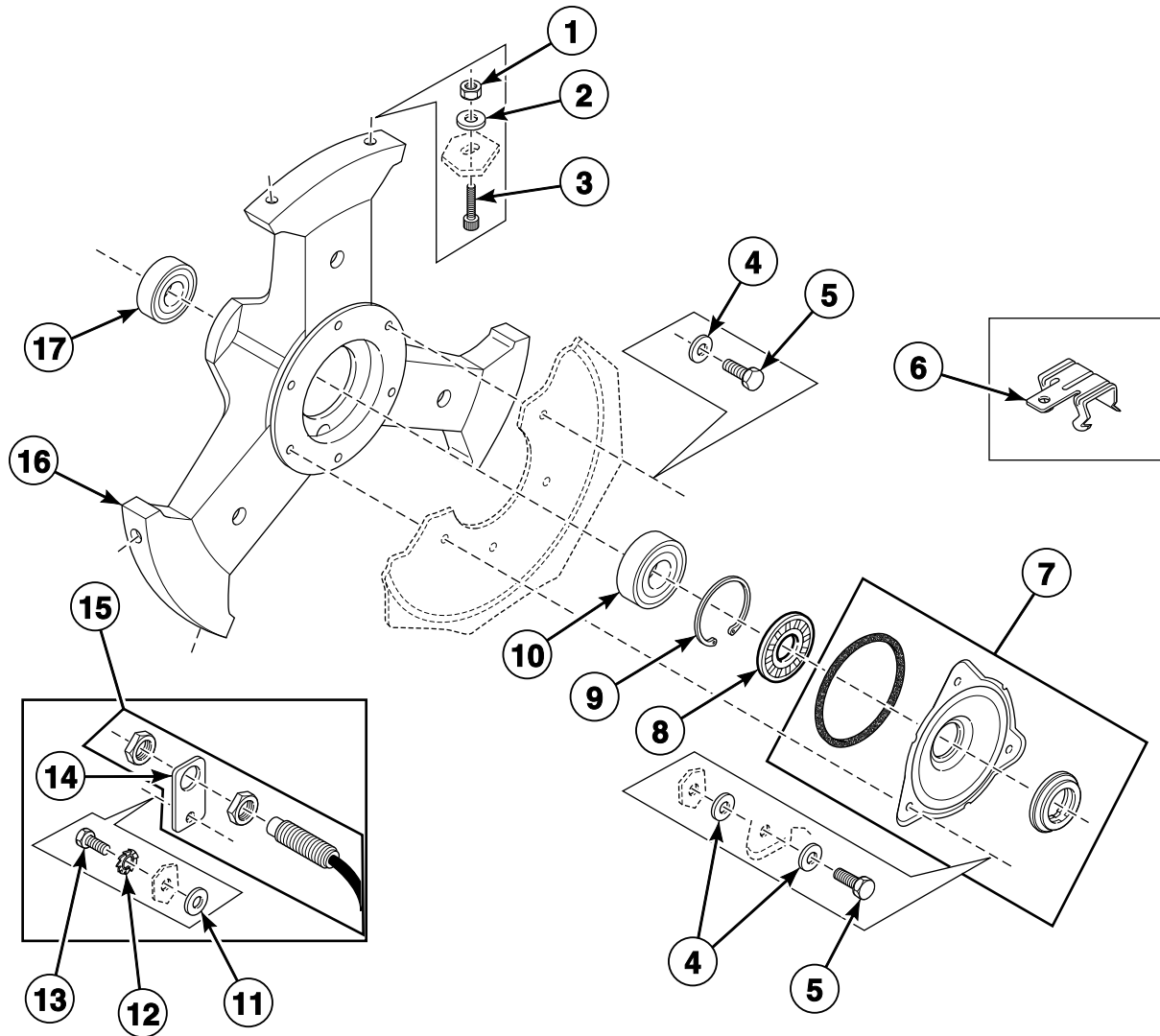


CFD553P_D1358

Shell and Basket

| REF | PART NO. | DESCRIPTION | COMMENTS |
|-----|--------------|---------------------------|------------------------------------|
| 1 | 111/01854/00 | Tilt Detector Plate | |
| 2 | 204/00110/00 | Nut | |
| 3 | 201/00010/00 | Washer | |
| 4 | B12327701 | Outer Tub | *12 and *60 models; Electric heat |
| | B12327801 | Outer Tub | *12 and *60 models; Boiler fed |
| | B12328001 | Outer Tub | *14 and *65 models; Electric heat |
| | B12328101 | Outer Tub | *14 and *65 models; Boiler fed |
| | B12328301 | Outer Tub | *18 and *75 models; Electric heat |
| | B12328401 | Outer Tub | *18 and *75 models; Boiler fed |
| | B12328601 | Outer Tub | *25 and *100 models; Electric heat |
| | B12328701 | Outer Tub | *25 and *100 models; Boiler fed |
| 5 | 204/00009/00 | Nut | |
| 6 | 201/00007/00 | Washer | |
| 7 | 206/00032/00 | Bolt | |
| 8 | 217/00008/00 | Tub Front Panel Clip | |
| 9 | B12339601 | Tub Front Panel | |
| 10 | B12351601 | Tub Front Gasket | |
| 11 | B12379401 | Cylinder | *12 and *60 models |
| | B12379501 | Basket and Shaft Assembly | *14 and *65 models; 3 mm |
| | B12379601 | Basket and Shaft Assembly | *14 and *65 models; 9 mm |
| | B12379701 | Basket and Shaft Assembly | *18 and *75 models; 3 mm |
| | B12379801 | Basket and Shaft Assembly | *18 and *75 models; 9 mm |
| | B12379901 | Basket and Shaft Assembly | *25 and *100 models; 3 mm |
| | B12380001 | Basket and Shaft Assembly | *25 and *100 models; 9 mm |
| 12 | 219/00007/00 | Tub Front Ring Clamp | |

Bearing Housing

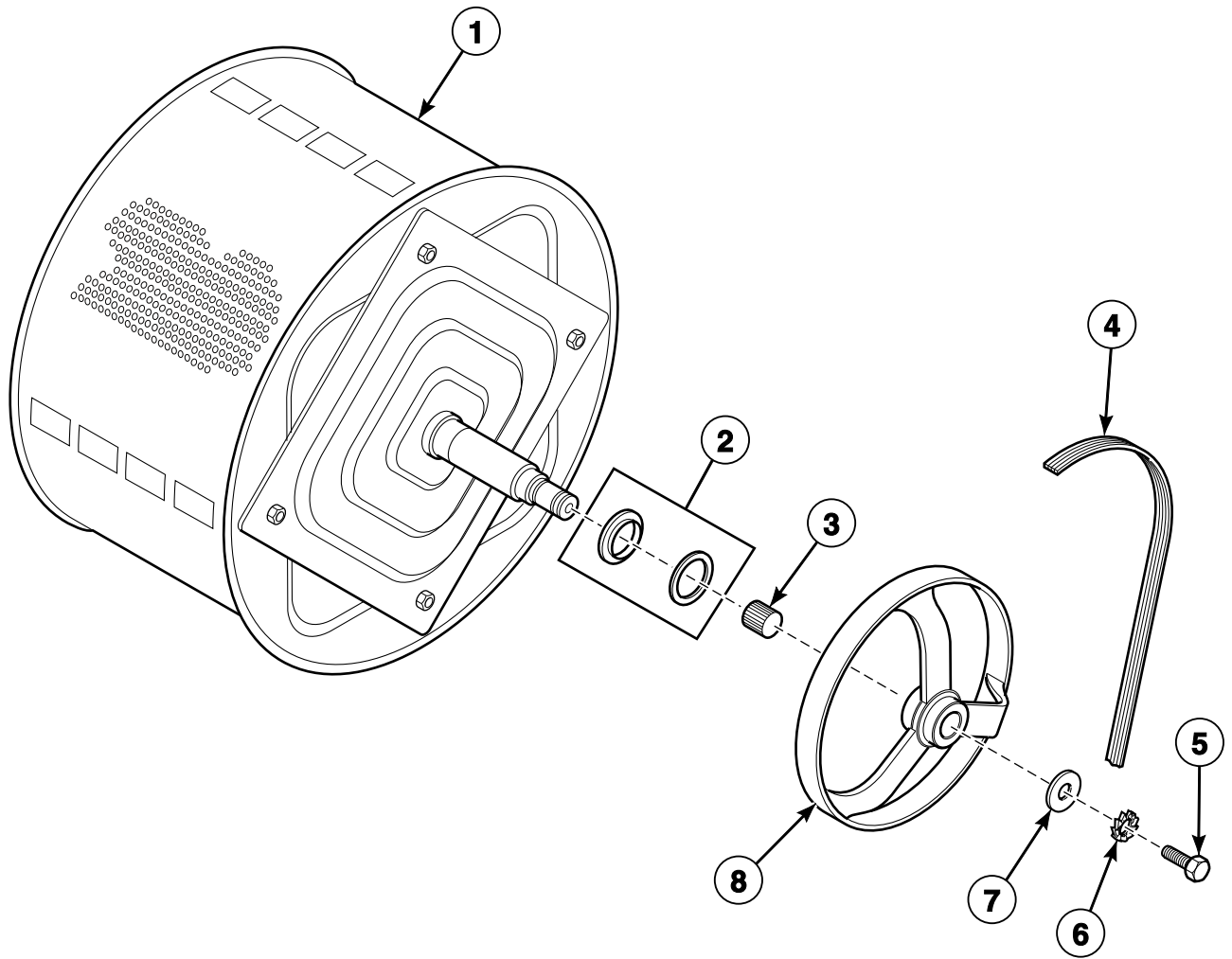


CFD583P_D1358

Bearing Housing

| REF | PART NO. | DESCRIPTION | COMMENTS |
|-----|--------------|------------------------------|---|
| | 3881P | Bearing Kit | Includes items 4,5,7,8, 10, 17, 217/00004/00 Counter Ring and 223/00242/00 Tub Gasket |
| | 380P3 | Bearing Replacement Tool Kit | |
| 1 | 204/00111/00 | Nut | |
| 2 | 201/00012/00 | Washer | |
| 3 | 206/00053/00 | Screw | |
| 4 | 201/00201/00 | Washer | |
| 5 | 205/00102/00 | Bolt | |
| 6 | 224/00051/00 | Caddy Bracket | 4H58-4 |
| | 224/00052/00 | Caddy Bracket | 4H912 |
| 7 | B12333601 | Seal Plate Assembly | |
| 8 | B12332201 | Lip Seal | |
| 9 | 212/00038/00 | Retaining Ring | |
| 10 | F100137 | Bearing | |
| 11 | 202/00003/00 | Washer | |
| 12 | 203/00004/00 | Washer | |
| 13 | 205/00104/00 | Bolt | |
| 14 | 152/00055/00 | Speed Detector Bracket | |
| 15 | 210/00074/00 | Speed Detector | Includes item 14 |
| 16 | 152/00117/00 | Bearing Housing Assembly | |
| 17 | F100136 | Bearing | |

Basket, Pulley and Belt

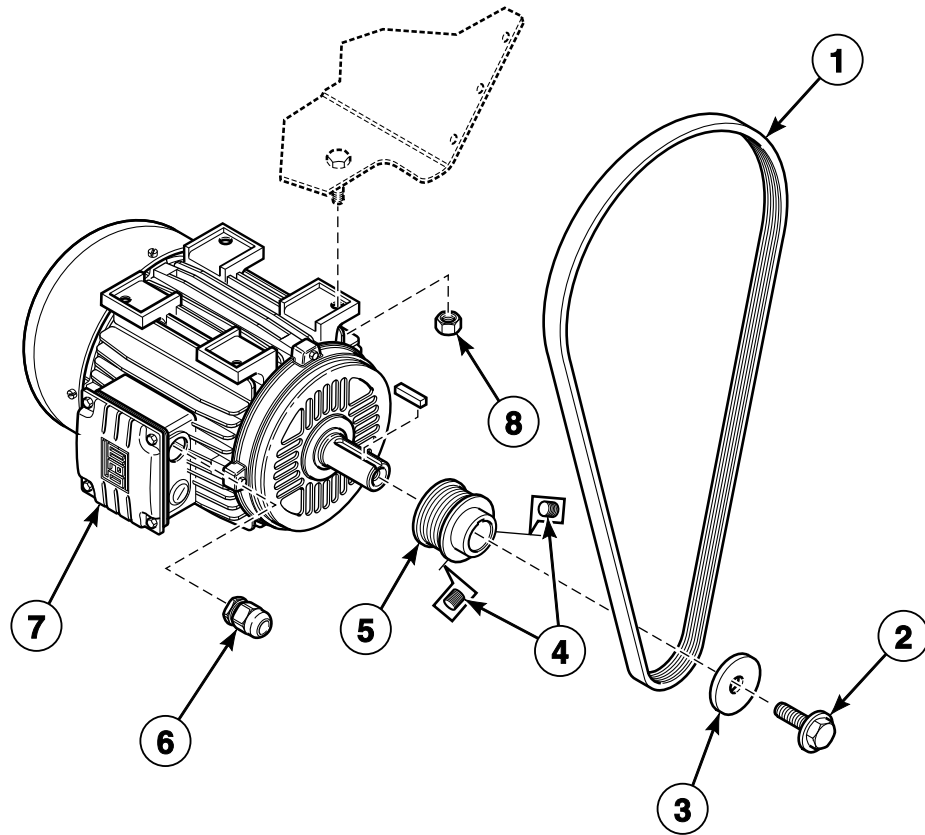


BE000839P_D1358

Basket, Pulley and Belt

| REF | PART NO. | DESCRIPTION | COMMENTS |
|-----|--------------|---------------------------|---------------------------|
| 1 | B12379401 | Cylinder | *12 and *60 models |
| | B12379501 | Basket and Shaft Assembly | *14 and *65 models; 3 mm |
| | B12379601 | Basket and Shaft Assembly | *14 and *65 models; 9 mm |
| | B12379701 | Basket and Shaft Assembly | *18 and *75 models; 3 mm |
| | B12379801 | Basket and Shaft Assembly | *18 and *75 models; 9 mm |
| | B12379901 | Basket and Shaft Assembly | *25 and *100 models; 3 mm |
| | B12380001 | Basket and Shaft Assembly | *25 and *100 models; 9 mm |
| 2 | 217/00004/00 | Counter Ring | |
| 3 | 215/00004/00 | Tolerance Ring | |
| 4 | 255/00013/00 | Belt | |
| 5 | 206/00004/00 | Bolt | |
| 6 | 203/00001/00 | Washer | |
| 7 | 201/00003/00 | Washer | |
| 8 | 255/00117/00 | Pulley | |

Motor and Belt



CFD574P_D1358

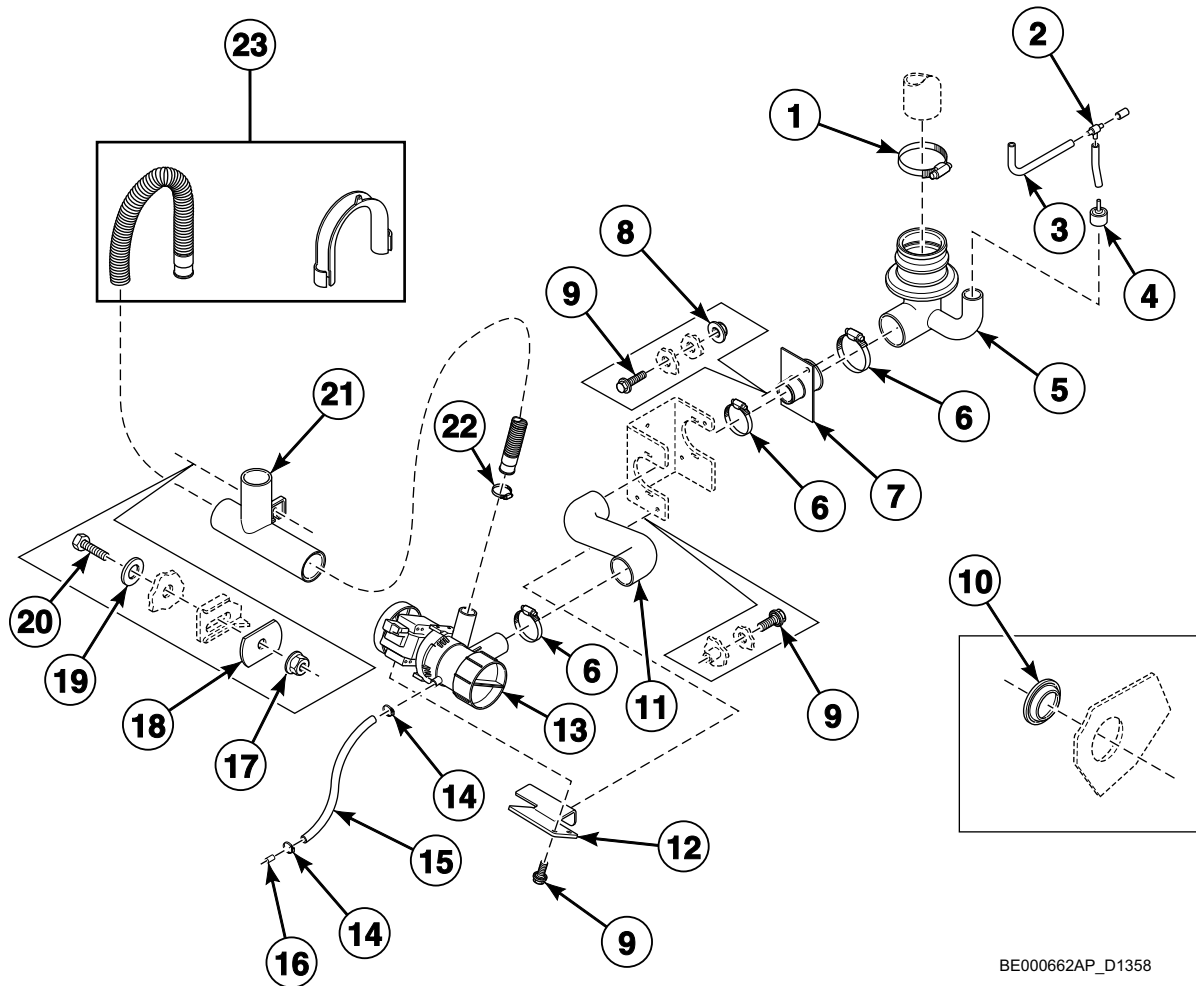
Motor and Belt

| REF | PART NO. | DESCRIPTION | COMMENTS |
|-----|--------------|-------------------------|----------|
| | B12382101 | Motor Harness | |
| 1 | 255/00013/00 | Belt | |
| 2 | 206/00104/00 | Screw | |
| 3 | 201/00006/00 | Washer | |
| 4 | 206/00058/00 | Screw | |
| 5 | 255/00012/00 | Motor Pulley | |
| 6 | 211/00181/00 | Strain Relief Connector | |
| 7 | B12510501 | Motor | |
| 8 | 204/00109/00 | Nut | |

Drain Plumbing

| REF | PART NO. | DESCRIPTION | COMMENTS |
|-----|--------------|-----------------------------|------------------|
| | B12495801 | Drain Valve Fuse Harness | WE-8 models |
| | B12349401 | Drain Valve Harness | All other models |
| 1 | 223/00014/00 | Hose Clamp | |
| 2 | 223/00173/10 | Pressure Switch Hose Tee | |
| 3 | 223/00333/00 | Pressure Hose | |
| 4 | 223/00035/02 | Pressure Switch Cap | |
| 5 | 255/00010/00 | Tub to Drain Valve Hose | |
| 6 | 223/00013/00 | Hose Clamp | |
| 7 | 209/00463/00 | Drain Valve | |
| 8 | 223/00225/00 | Drain Valve Cover | |
| 9 | 223/00303/00 | Drain Valve Hose | |
| 10 | 223/00146/00 | Drain Piece | |
| 11 | 206/00101/00 | Nut | |
| 12 | 101/00007/00 | Outlet Pipe Plate Assembly | |
| 13 | 201/00007/00 | Washer | |
| 14 | 206/00033/00 | Bolt | |
| 15 | 223/00150/00 | Overflow Hose | |
| 16 | 223/00001/04 | Prewash and Mainwash Nozzle | |
| 17 | 201/00002/00 | Washer | |
| 18 | 204/00201/00 | Nut | |
| 19 | F200205 | Hose Clamp | |
| 20 | 223/00044/01 | Water Hose | |
| 21 | 209/00051/11 | Drain Valve Motor | |

Drain Plumbing - Models with Pump Drain

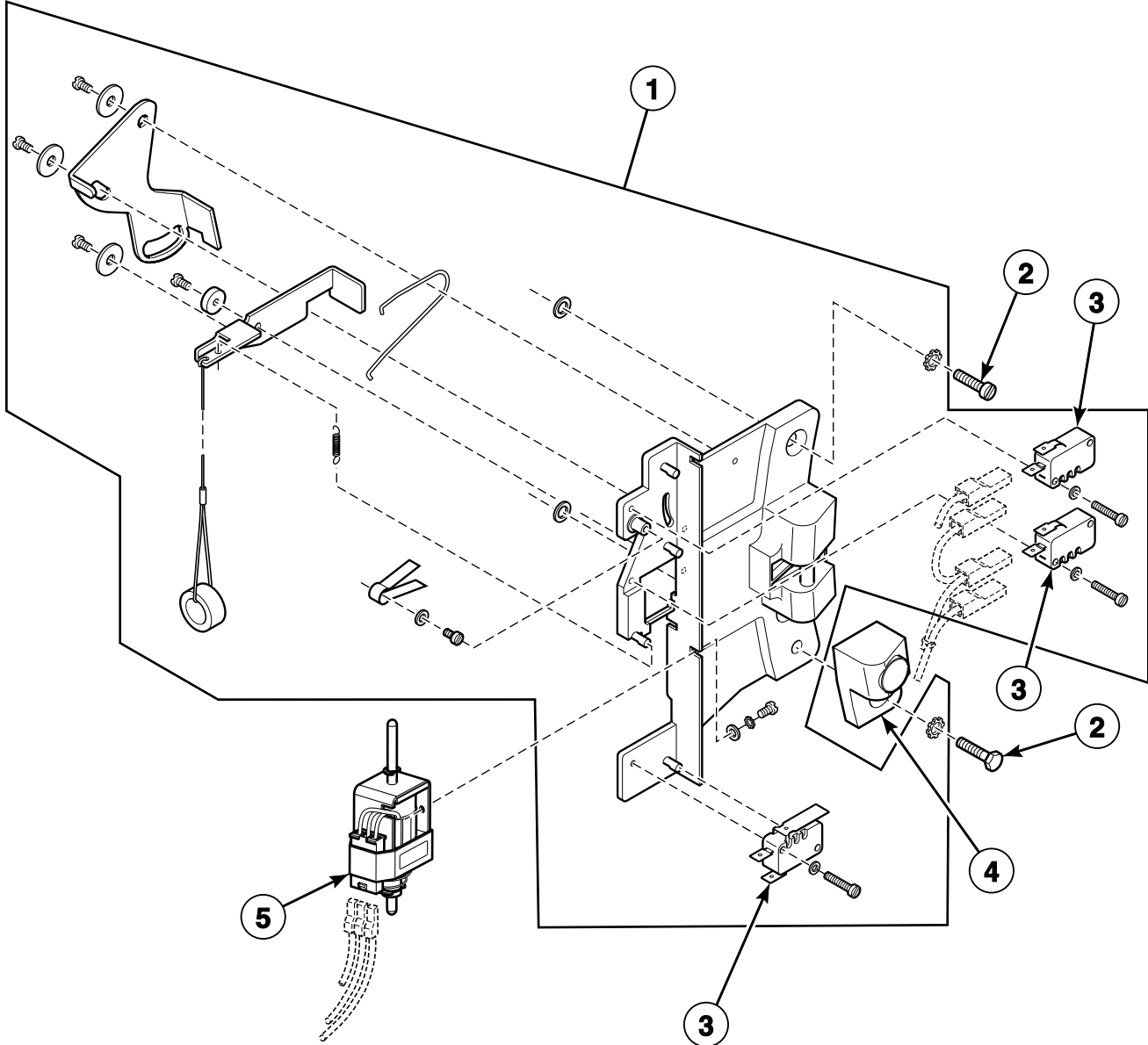


BE000662AP_D1358

Drain Plumbing - Models with Pump Drain

| REF | PART NO. | DESCRIPTION | COMMENTS |
|-----|--------------|----------------------------|----------|
| 1 | 223/00014/00 | Hose Clamp | |
| 2 | 223/00173/10 | Pressure Switch Hose Tee | |
| 3 | 223/00333/00 | Pressure Hose | |
| 4 | 223/00035/02 | Pressure Switch Cap | |
| 5 | 255/00010/00 | Tub to Drain Valve Hose | |
| 6 | 223/00012/00 | Hose Clamp | |
| 7 | 155/00155/00 | Drain Piece | |
| 8 | 206/00105/00 | Nut | |
| 9 | 206/00104/00 | Screw | |
| 10 | 255/00019/00 | Stopper | |
| 11 | 223/00307/00 | Drain Hose | |
| 12 | 111/00288/10 | Pump Support | |
| 13 | 209/00646/00 | Pump | 50 Hertz |
| | 209/00647/00 | Pump | 60 Hertz |
| 14 | 223/00009/00 | Clamp | |
| 15 | 223/00159/00 | Pipe | |
| 16 | 223/00162/00 | Stopper | |
| 17 | 206/00101/00 | Nut | |
| 18 | 101/00007/00 | Outlet Pipe Plate Assembly | |
| 19 | 201/00007/00 | Washer | |
| 20 | 206/00033/00 | Bolt | |
| 21 | 223/00146/00 | Drain Piece | |
| 22 | 223/00011/00 | Hose Clamp | |
| 23 | 899P3 | Drain Pipe Kit | |

Door Lock

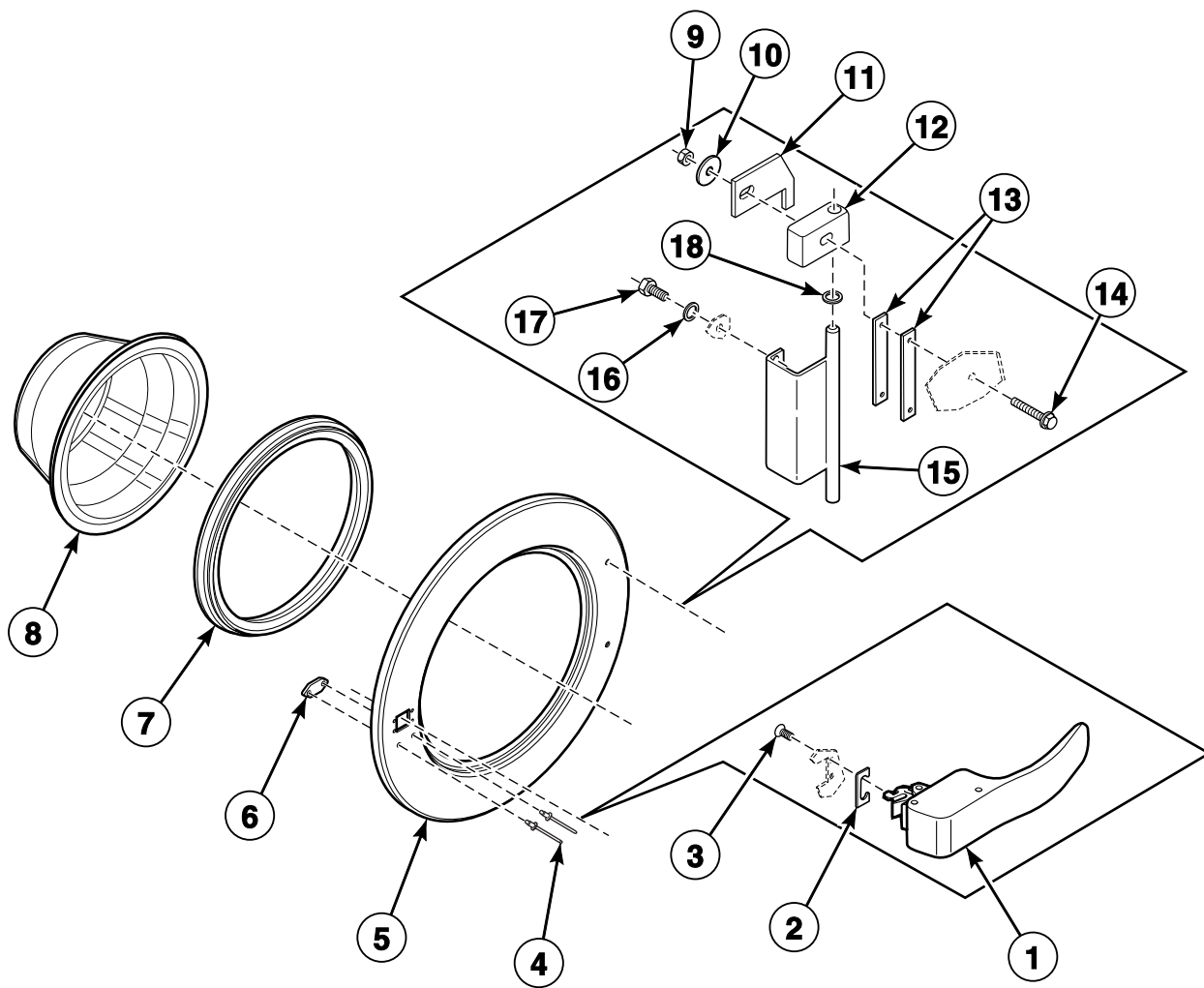


CHM3240P_D1358

Door Lock

| REF | PART NO. | DESCRIPTION | COMMENTS |
|-----|--------------|------------------------|---|
| | B12495002 | Door Lock Harness | WE-8 models |
| | B12495001 | Door Lock Harness | All other models |
| 1 | B12517701 | Door Lock Assembly | Includes item 3 |
| 2 | 207/00102/00 | Screw | |
| 3 | 209/00272/00 | Door Lock Microswitch | |
| 4 | B12517601 | Reed Switch Holder | Includes F8080405 Reed Switch Harness and B12502001 Reed Switch |
| 5 | B12518101 | Door Solenoid Assembly | |

Door

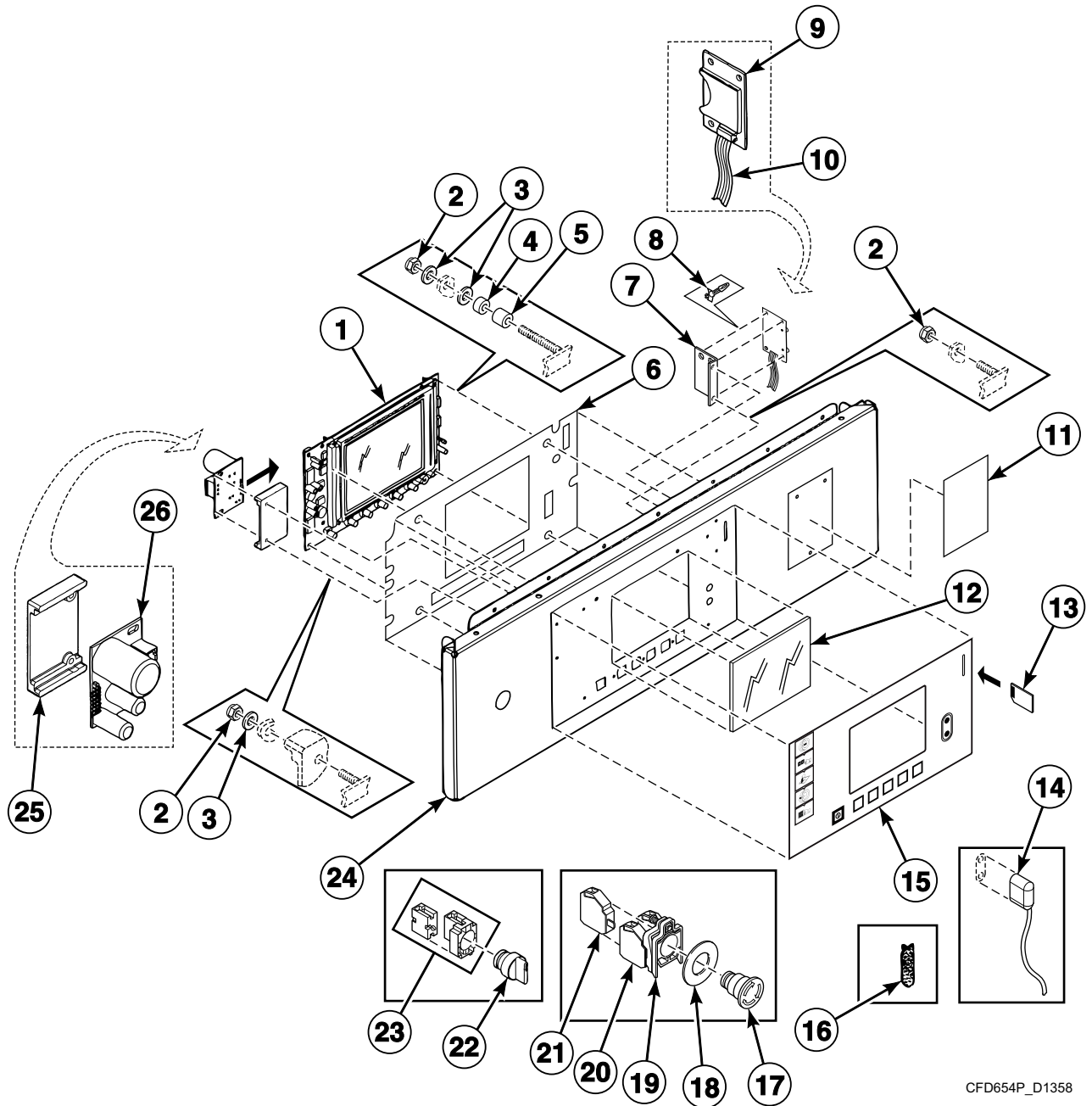


CFD2449P_D1358

Door

| REF | PART NO. | DESCRIPTION | COMMENTS |
|-----|--------------|---------------------|----------------------------|
| 1 | B12336302 | Door Handle | Gray; HX, SX and UX models |
| | B12336301 | Door Handle | Black; All other models |
| 2 | 217/00016/00 | Door Handle Stop | |
| 3 | B12500801 | Screw | |
| 4 | B12500301 | Rivet | |
| 5 | B12314901 | Door Frame | |
| 6 | B12389701 | Magnet | |
| 7 | 217/00068/00 | Door Glass Seal | |
| 8 | 217/00023/00 | Door Glass | |
| 9 | 204/00106/00 | Nut | |
| 10 | 202/00108/00 | Washer | |
| 11 | 118/00128/00 | Hinge Plate | |
| 12 | 217/00009/02 | Door Hinge Assembly | |
| 13 | 117/00011/00 | Door Hinge Spacer | |
| 14 | 207/00126/00 | Screw | |
| 15 | 221/00005/00 | Door Hinge | |
| 16 | 202/00101/00 | Washer | |
| 17 | 205/00107/00 | Bolt | |
| 18 | 202/00104/00 | Washer | |

Control Panel - Cygnus Professional

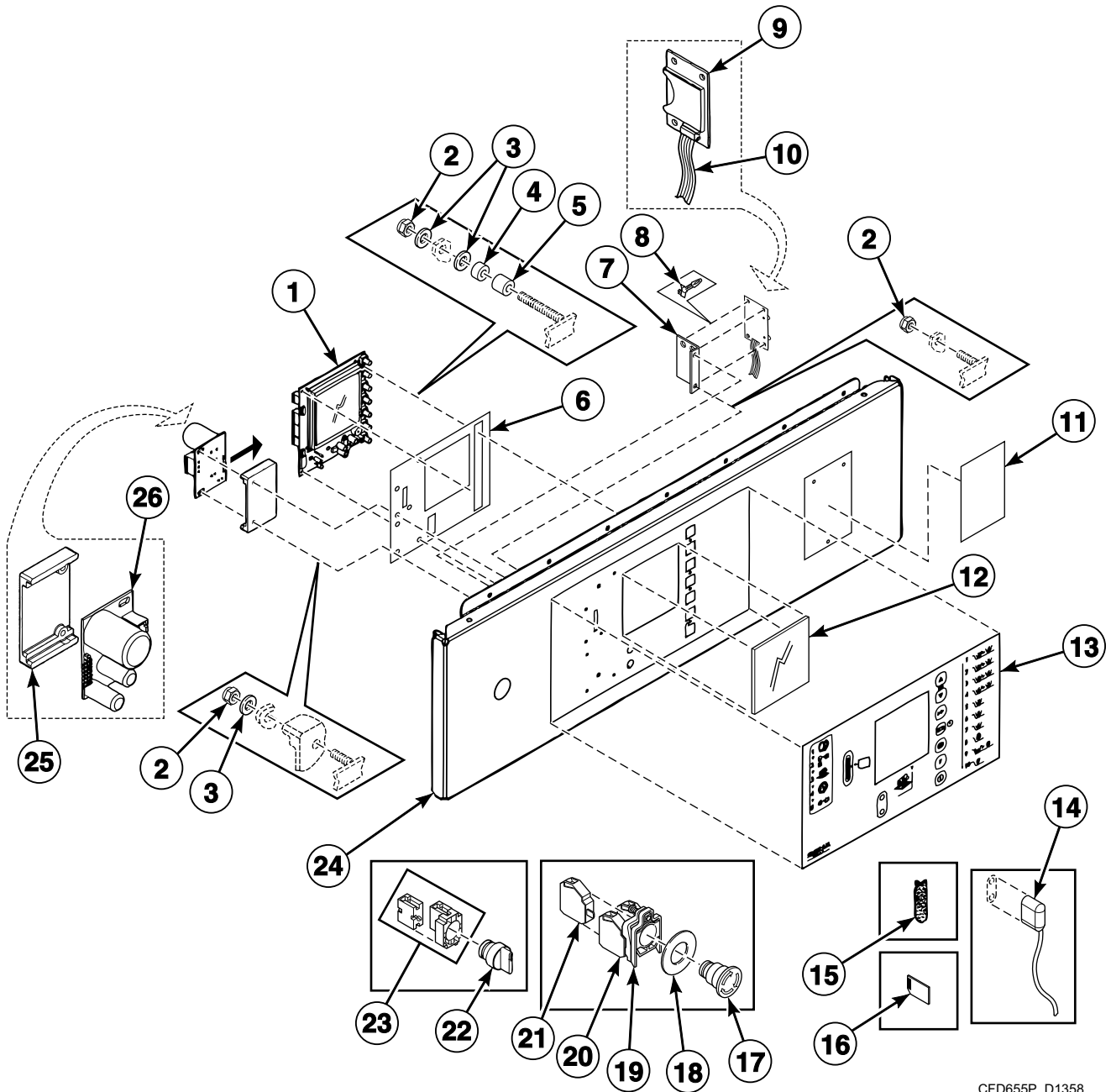


CFD654P_D1358

Control Panel - Cygnus Professional

| REF | PART NO. | DESCRIPTION | COMMENTS |
|-----|---------------|---------------------------|---|
| | B12348901 | E-Stop Harness | |
| 1 | 209/02002/ZB2 | Display PC-Board | |
| 2 | 204/00116/00 | Nut | |
| 3 | 223/00123/00 | Washer | |
| 4 | 211/00128/00 | Printboard Separator | |
| 5 | 211/00122/00 | Standoff | |
| 6 | 229/00268/00 | Insulating Sticker | |
| 7 | 111/01893/00 | Printboard Support Card | Optional |
| 8 | 211/00145/00 | Standoff | |
| 9 | B12305201 | Memory Card PC-Board | Optional |
| 10 | B12538301 | Data Card Ribbon Assembly | Optional |
| 11 | B12389801 | Nameplate | Models HD60_CYGNUS-PRO, HD65_CYGNUS-PRO, HD75_CYGNUS-PRO, HD100_CYGNUS-PRO, IXG060Z, IXG065Z, IXG075Z, IXG100Z, IXN060Z, IXN065Z, IXN075Z, IXN100Z, IXU060Z, IXU065Z, IXU075Z, IXU100Z, IXW060Z, IXW065Z, IXW075Z, IXW100Z, IXZ060Z, IXZ065Z, IXZ075Z and IXZ100Z |
| | B12389802 | Overlay | Models CXE012Z, CXE014Z, CXE018Z, CXG060Z, CXG065Z, CXG075Z, CXG100Z, CXN060Z, CXN065Z, CXU060Z, CXN075Z, CXN100Z, CXR014Z, CXR018Z, CXR025Z, CXU065Z, CXU075Z, CXU100Z, CXW060Z, CXW065Z, CXW075Z, CXW100Z, CXZ060Z, CXZ065Z, CXZ075Z and CXZ100Z |
| | B12389804 | Overlay | Model JXW060Z |
| 12 | 225/00321/00 | Plexi Frame | |
| 13 | 209/02024/00 | Datacard | |
| 14 | 210/00902/00P | Infrared Cable Kit | |
| 15 | B12383601 | Operating Sticker | Without datacard opening |
| | B12383701 | Operating Sticker | With datacard opening |
| | B12532001 | Operating Sticker | Model JXW060Z |
| 16 | 223/00348/00 | Datacard Cover | |
| 17 | 209/00248/20 | Mushroom Pushbutton | |
| 18 | 209/00520/00 | Telem Sticker | |
| 19 | B12491801 | Contact Harness | |
| 20 | 209/00029/26 | Contact Switch | NC |
| 21 | 209/00099/26 | Contact Switch | NO |
| 22 | 209/00099/29 | Switch Knob | Dual heat |
| | B12523901 | Dual Heat Sticker | Dual heat |
| 23 | B12491701 | Contact Harness | Dual heat |
| 24 | B12355901 | Operating Panel | |
| 25 | 223/00374/00 | Mounting Plate | |
| 26 | B12388201 | Door Lock PC-Board | |

Control Panel - Cygnus Premium OPL and Ultra

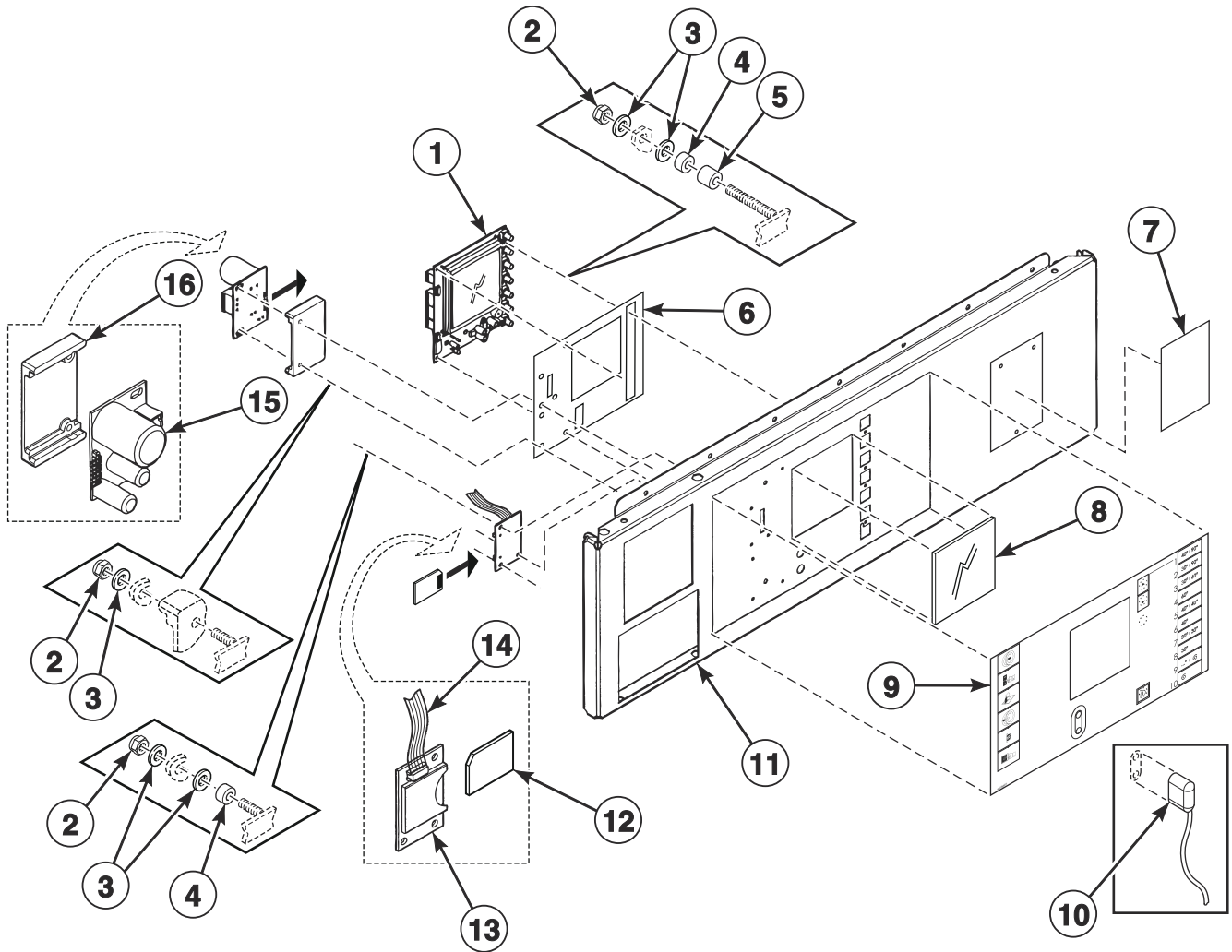


CFD655P_D1358

Control Panel - Cygnus Premium OPL and Ultra

| REF | PART NO. | DESCRIPTION | COMMENTS |
|-----|---------------|---------------------------|---|
| | B12348901 | E-Stop Harness | |
| 1 | 209/02015/02 | Printboard | |
| 2 | 204/00116/00 | Nut | |
| 3 | 223/00123/00 | Washer | |
| 4 | 211/00128/00 | Printboard Separator | |
| 5 | 211/00122/00 | Standoff | |
| 6 | 229/00291/00 | Insulating Sticker | |
| 7 | 111/01893/00 | Printboard Support Card | Optional |
| 8 | 211/00145/00 | Standoff | |
| 9 | B12305201 | Memory Card PC-Board | Optional |
| 10 | B12538301 | Data Card Ribbon Assembly | Optional |
| 11 | B12389801 | Nameplate | Models HD60_CYGNUS-PREM, HD65_CYGNUS-PREM, HD75_CYGNUS-PREM, HD100_CYGNUS-PREM, IS012_CYGNUS-ULTRA, IS018_CYGNUS-ULTRA, IS025_CYGNUS-ULTRA, IXG060Y, IXG065Y, IXG075Y, IXG100Y, IXN060U, IXN060Y, IXN065Y, IXN075U, IXN075Y, IXN100U, IXN100Y, IXR012U, IXR018U, IXR025U, IXU060Y, IXU065Y, IXU075Y, IXU100Y, IXW060Y, IXW065Y, IXW075Y, IXW100Y, IXZ060Y, IXZ065Y, IXZ075Y and IXZ100Y |
| | B12389802 | Overlay | Models CXN075U, CXN100U, CXR018U, CXR025U, CS018_CYGNUS-ULTRA and CS025_CYGNUS-ULTRA |
| | B12389804 | Overlay | Models JXW060Y and JXW065Y |
| | B12530801 | Nameplate | Model JXW075Y |
| | B12530802 | Nameplate | Model JXW100Y |
| | B12389805 | Overlay | Models PXU060Y, PXU065Y, PXU075Y and PXU100Y |
| 12 | 225/00323/00 | Plexi Frame | |
| 13 | B12456701 | Operating Sticker | Cygnus Ultra models |
| | B12383401 | Operating Sticker | Cygnus Premium OPL models with datacard opening |
| | B12383301 | Operating Sticker | Cygnus Premium OPL models without datacard opening |
| | B12531901 | Operating Sticker | Models JXW060Y, JXW065Y, JXW075Y and JXW100Y |
| | B12531801 | Operating Sticker | Models JXW060Y, JXW065Y, JXW075Y and JXW100Y |
| 14 | 210/00902/00P | Infrared Cable Kit | |
| 15 | 223/00348/00 | Datacard Cover | Cygnus Premium OPL models |
| 16 | 209/02024/00 | Datacard | Cygnus Premium OPL models |
| 17 | 209/00248/20 | Mushroom Pushbutton | |
| 18 | 209/00520/00 | Telem Sticker | |
| 19 | B12491801 | Contact Harness | |
| 20 | 209/00029/26 | Contact Switch | NC |
| 21 | 209/00099/26 | Contact Switch | NO |
| 22 | 209/00099/29 | Switch Knob | Dual heat |
| | B12523901 | Dual Heat Sticker | Dual heat |
| 23 | B12491701 | Contact Harness | Dual heat |
| 24 | B12356001 | Operating Panel | |
| 25 | 223/00374/00 | Mounting Plate | |
| 26 | B12388201 | Door Lock PC-Board | |

Control Panel - Cygnus Premium Coin

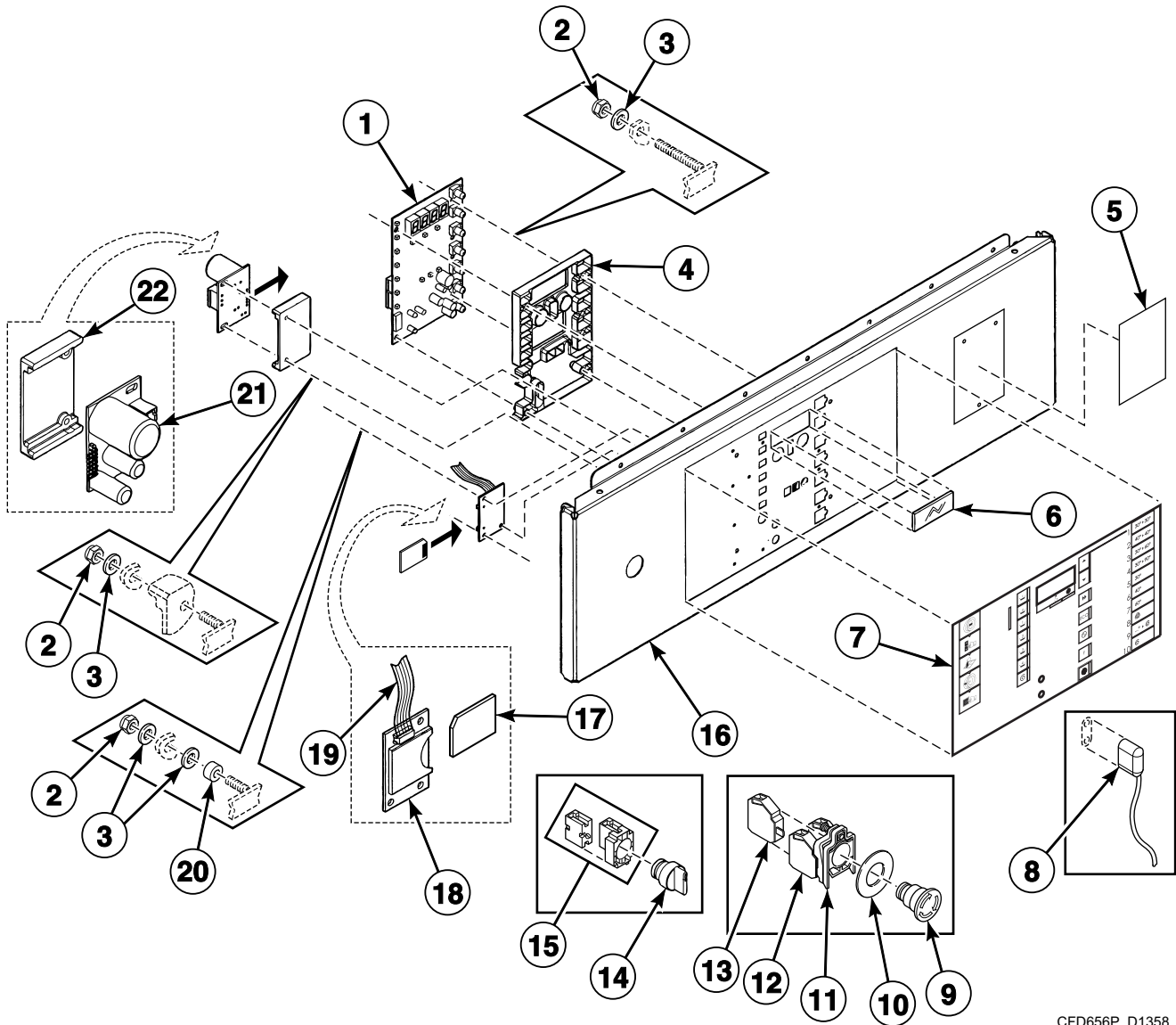


CFD621P_D1358

Control Panel - Cygnus Premium Coin

| REF | PART NO. | DESCRIPTION | COMMENTS |
|-----|---------------|---------------------------|---|
| | B12349001 | E-Stop Bypass Harness | |
| 1 | 209/02015/02 | Printboard | |
| 2 | 204/00116/00 | Nut | |
| 3 | 223/00123/00 | Washer | |
| 4 | 211/00128/00 | Printboard Separator | |
| 5 | 211/00122/00 | Standoff | |
| 6 | 229/00291/00 | Insulating Sticker | |
| 7 | B12389801 | Nameplate | Models HD60_CYGNUS-PREM, HD65_CYGNUS-PREM, HD75_CYGNUS-PREM, HD100_CYGNUS-PREM, IXG060Y, IXG065Y, IXG075Y, IXG100Y, IXN060Y, IXN065Y, IXN075Y, IXN100Y, IXU060Y, IXU065Y, IXU075Y, IXU100Y, IXW060Y, IXW065Y, IXW075Y, IXW100Y, IXZ060Y, IXZ065Y, IXZ075Y and IXZ100Y |
| | B12389804 | Overlay | Models JXW060Y and JXW065Y |
| | B12530801 | Nameplate | Model JXW075Y |
| | B12530802 | Nameplate | Model JXW100Y |
| | B12389805 | Overlay | Models PXU060Y, PXU065Y, PXU075Y and PXU100Y |
| 8 | 225/00323/00 | Plexi Frame | |
| 9 | B12383501 | Operating Sticker | |
| 10 | 210/00902/00P | Infrared Cable Kit | |
| 11 | B12356101 | Operating Panel | |
| 12 | 209/02024/00 | Datacard | |
| 13 | B12305201 | Memory Card PC-Board | |
| 14 | B12538301 | Data Card Ribbon Assembly | |
| 15 | B12388201 | Door Lock PC-Board | |
| 16 | 223/00374/00 | Mounting Plate | |

Control Panel - Cygnus Standard/Commercial OPL

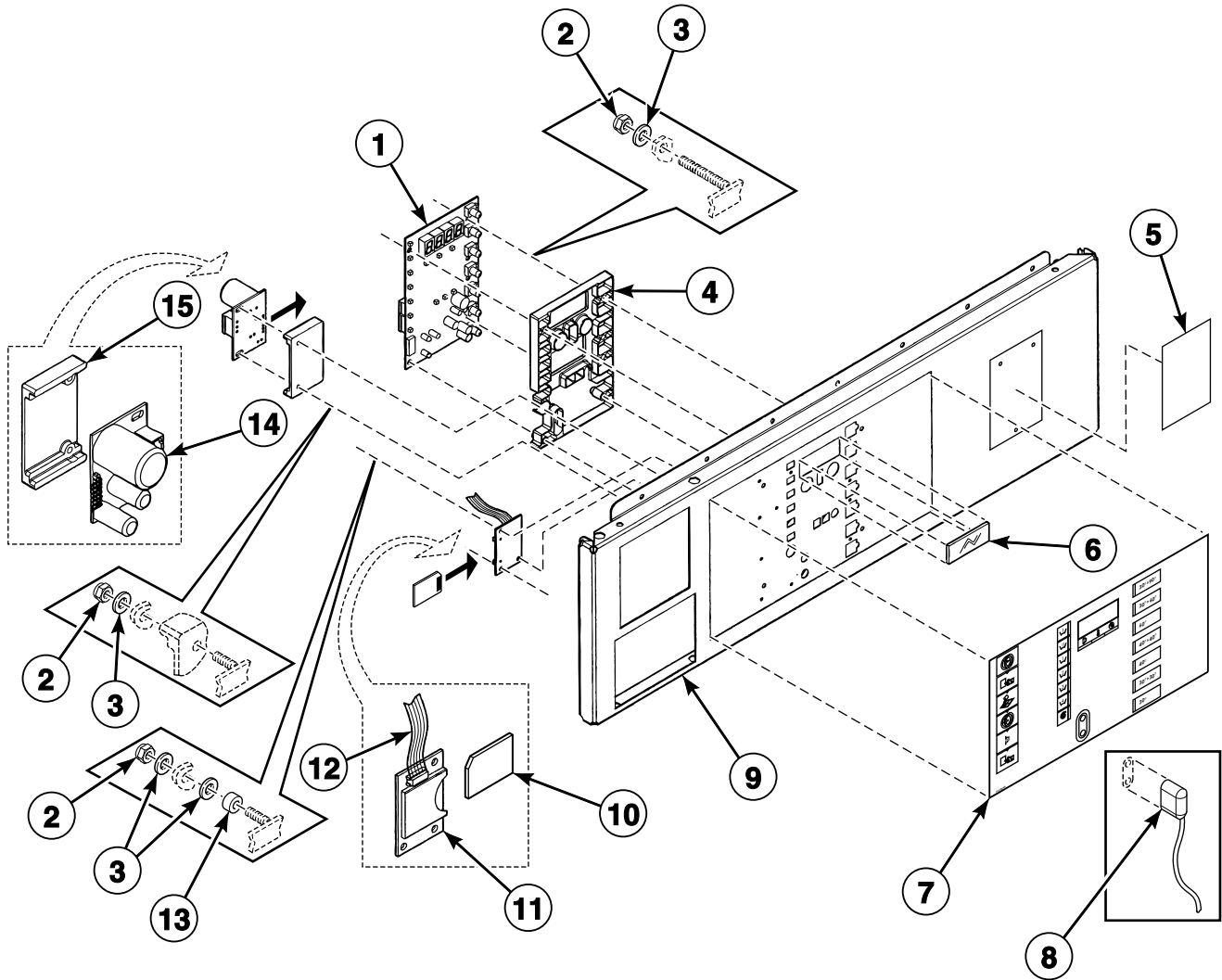


CFD656P_D1358

Control Panel - Cygnus Standard/Commercial OPL

| REF | PART NO. | DESCRIPTION | COMMENTS |
|-----|---------------|---------------------------|--|
| | B12348901 | E-Stop Harness | |
| 1 | 209/02001/02 | Printboard | |
| 2 | 204/00116/00 | Nut | |
| 3 | 223/00123/00 | Washer | |
| 4 | 223/00330/00 | Protection LED | |
| 5 | B12389801 | Nameplate | Models HD60_CYGNUS-COMM, HD60_CYGNUS-STANDARD, HD65_CYGNUS-COMM, HD65_CYGNUS-STANDARD, HD75_CYGNUS-COMM, HD75_CYGNUS-STANDARD, HD100_CYGNUS-COMM, HD100_CYGNUS-STANDARD, IXG060C, IXG060X, IXG065C, IXG065X, IXG075C, IXG075X, IXG100C, IXG100X, IXN060C, IXN060X, IXN065C, IXN065X, IXN075C, IXN075X, IXN100C, IXN100X, IXU060C, IXU060X, IXU065C, IXU065X, IXU075C, IXU075X, IXU100C and IXU100X |
| | B12389802 | Overlay | Models CXE012X, CXE014X, CXE018X, CXG060X, CXG065X, CXG075X, CXG100X, CXN060X, CXN065X, CXN075X, CXU065X, CXN100X, CXR012X, CXR014X, CXR018X, CXR025X, CXU060X, CXU075X, CXU100X, CXW060X, CXW065X, CXW075X, CXW100X, CXZ060X, CXZ065X, CXZ075X and CXZ100X |
| | B12389803 | Overlay | Models DXU060X, DXU065X and DXU075X |
| | B12389804 | Overlay | Models JXW060C, JXW065C, JXW075C and JXW100C |
| | B12389809 | Overlay | Models EXU065X, EXU075X and EXU100X |
| | B12389810 | Overlay | Models WXU060C, WXU065C, WXU075C and WXU100C |
| 6 | 225/00322/00 | Plexi Frame | |
| 7 | B12382701 | Operating Sticker | Cygnus Standard OPL models without datacard opening |
| | B12382801 | Operating Sticker | Cygnus Standard OPL models with datacard opening |
| | B12383001 | Operating Sticker | Cygnus Commercial OPL models without datacard opening |
| | B12383101 | Operating Sticker | Cygnus Commercial OPL models with datacard opening |
| | B12531801 | Operating Sticker | Models JXW060C, JXW065C, JXW075C and JXW100C |
| 8 | 210/00902/00P | Infrared Cable Kit | |
| 9 | 209/00248/20 | Mushroom Pushbutton | |
| 10 | 209/00520/00 | Telem Sticker | |
| 11 | B12491801 | Contact Harness | |
| 12 | 209/00029/26 | Contact Switch | NC |
| 13 | 209/00099/26 | Contact Switch | NO |
| 14 | 209/00099/29 | Switch Knob | Dual heat |
| | B12523901 | Dual Heat Sticker | Dual heat |
| 15 | B12491701 | Contact Harness | Dual heat |
| 16 | B12355801 | Operating Panel | |
| 17 | 209/02024/00 | Datacard | Optional |
| 18 | B12305201 | Memory Card PC-Board | Optional |
| 19 | B12538301 | Data Card Ribbon Assembly | Optional |
| 20 | 211/00128/00 | Printboard Separator | |
| 21 | B12388201 | Door Lock PC-Board | |
| 22 | 223/00374/00 | Mounting Plate | |

Control Panel - Cygnus Standard/Commercial Coin and Vended

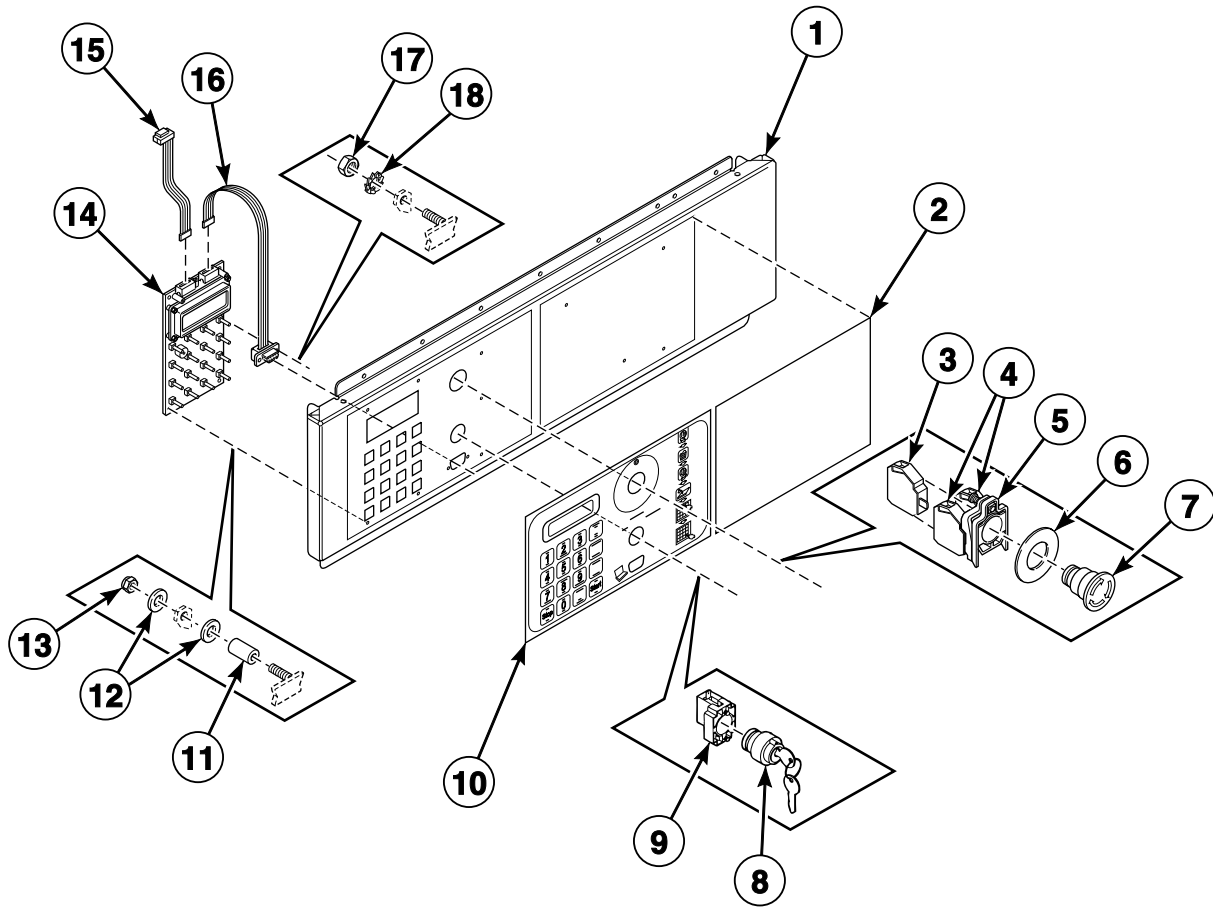


CFD611P_D1358

Control Panel - Cygnus Standard/Commercial Coin and Vended

| REF | PART NO. | DESCRIPTION | COMMENTS |
|-----|---------------|---------------------------|--|
| | B12349001 | E-Stop Bypass Harness | |
| 1 | 209/02001/02 | Printboard | |
| 2 | 204/00116/00 | Nut | |
| 3 | 223/00123/00 | Washer | |
| 4 | 223/00330/00 | Protection LED | |
| 5 | B12389801 | Nameplate | Models HD60_CYGNUS-COMM, HD60_CYGNUS-STANDARD, HD65_CYGNUS-COMM, HD65_CYGNUS-STANDARD, HD75_CYGNUS-COMM, HD75_CYGNUS-STANDARD, HD100_CYGNUS-COMM, HD100_CYGNUS-STANDARD, IS012_CYGNUS-VENDED, IS018_CYGNUS-VENDED, IS025_CYGNUS-VENDED, IXG060C, IXG060X, IXG065C, IXG065X, IXG075C, IXG075X, IXG100C, IXG100X, IXN060C, IXN060V, IXN060X, IXN065C, IXN065X, IXN075C, IXN075V, IXN075X, IXN100C, IXN100V, IXN100X, IXU060C, IXU060X, IXU065C, IXU065X, IXU075C, IXU075X, IXU100C and IXU100X |
| | B12389802 | Overlay | Models CXE012X, CXE014X, CXE018X, CXG060X, CXG065X, CXG075X, CXG100X, CXN060X, CXN065X, CXN075X, CXU065X, CXN100X, CXR012X, CXR014X, CXR018X, CXR025X, CXU060X, CXU075X, CXU100X, CXW060X, CXW065X, CXW075X, CXW100X, CXZ060X, CXZ065X, CXZ075X and CXZ100X |
| | B12389803 | Overlay | Models DXU060X, DXU065X and DXU075X |
| | B12389804 | Overlay | Models JXW060C, JXW065C, JXW075C and JXW100C |
| | B12389809 | Overlay | Models EXU065X, EXU075X and EXU100X |
| | B12389810 | Overlay | Models WXU060C, WXU065C, WXU075C and WXU100C |
| 6 | 225/00322/00 | Plexi Frame | |
| 7 | B12382901 | Operating Sticker | Cygnus Standard coin models |
| | B12383201 | Operating Sticker | Cygnus Commercial coin models |
| | B12456501 | Operating Sticker | Cygnus Vended models |
| 8 | 210/00902/00P | Infrared Cable Kit | |
| 9 | B12312801 | Operating Panel | |
| 10 | 209/02024/00 | Datacard | Cygnus Standard/Commercial coin models |
| 11 | B12305201 | Memory Card PC-Board | Cygnus Standard/Commercial coin models |
| 12 | B12538301 | Data Card Ribbon Assembly | Cygnus Standard/Commercial coin models |
| 13 | 211/00128/00 | Printboard Separator | |
| 14 | B12388201 | Door Lock PC-Board | |
| 15 | 223/00374/00 | Mounting Plate | |

Control Panel - WE-8



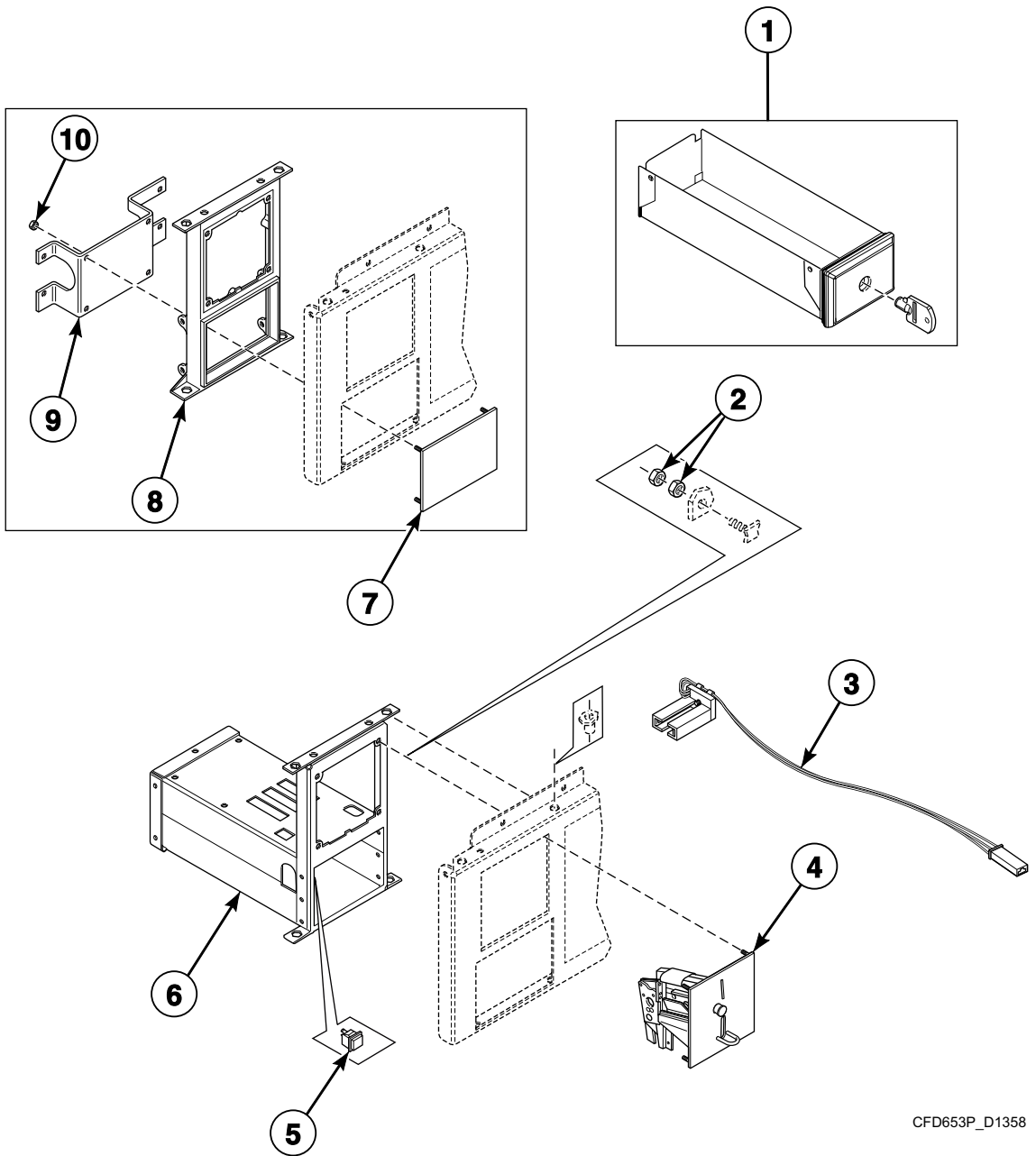
CFD657P_D1358

Control Panel - WE-8

| REF | PART NO. | DESCRIPTION | COMMENTS |
|-----|--------------|--------------------------------|-----------|
| | B12348902 | E-Stop Harness | |
| | B12348903 | E-Stop Drive Harness | |
| | B12495501 | Key Switch Harness | |
| | B12388302 | Ribbon Assembly | |
| 1 | B12436201 | Operating Panel | |
| 2 | F8435601 | Overlay | UX models |
| | 225/00435/00 | Overlay | SX models |
| | 225/00436/00 | Logo Decal | HX models |
| 3 | 209/00099/26 | Contact Switch | NO |
| 4 | 209/00029/26 | Contact Switch | NC |
| 5 | B12491801 | Contact Harness | |
| 6 | 209/00520/00 | Telem Sticker | |
| 7 | 209/00248/00 | Mushroom Pushbutton | |
| 8 | 209/00326/20 | Programming Key Contact Switch | |
| 9 | B12491701 | Contact Harness | |
| 10 | 225/00388/00 | Overlay | Control |
| 11 | 211/00140/00 | Spacer | |
| 12 | 223/00123/00 | Washer | |
| 13 | 204/00116/00 | Nut | |
| 14 | 209/00580/03 | Display | |
| 15 | B12388302 | Ribbon Assembly | |
| 16 | B12388305 | Ribbon Assembly | |
| 17 | 204/00008/00 | Nut | |
| 18 | 203/00007/00 | Washer | |

Coin Drop - Mechanical Coin Meter

Cygnus Commercial, Premium, Standard and Vended Models



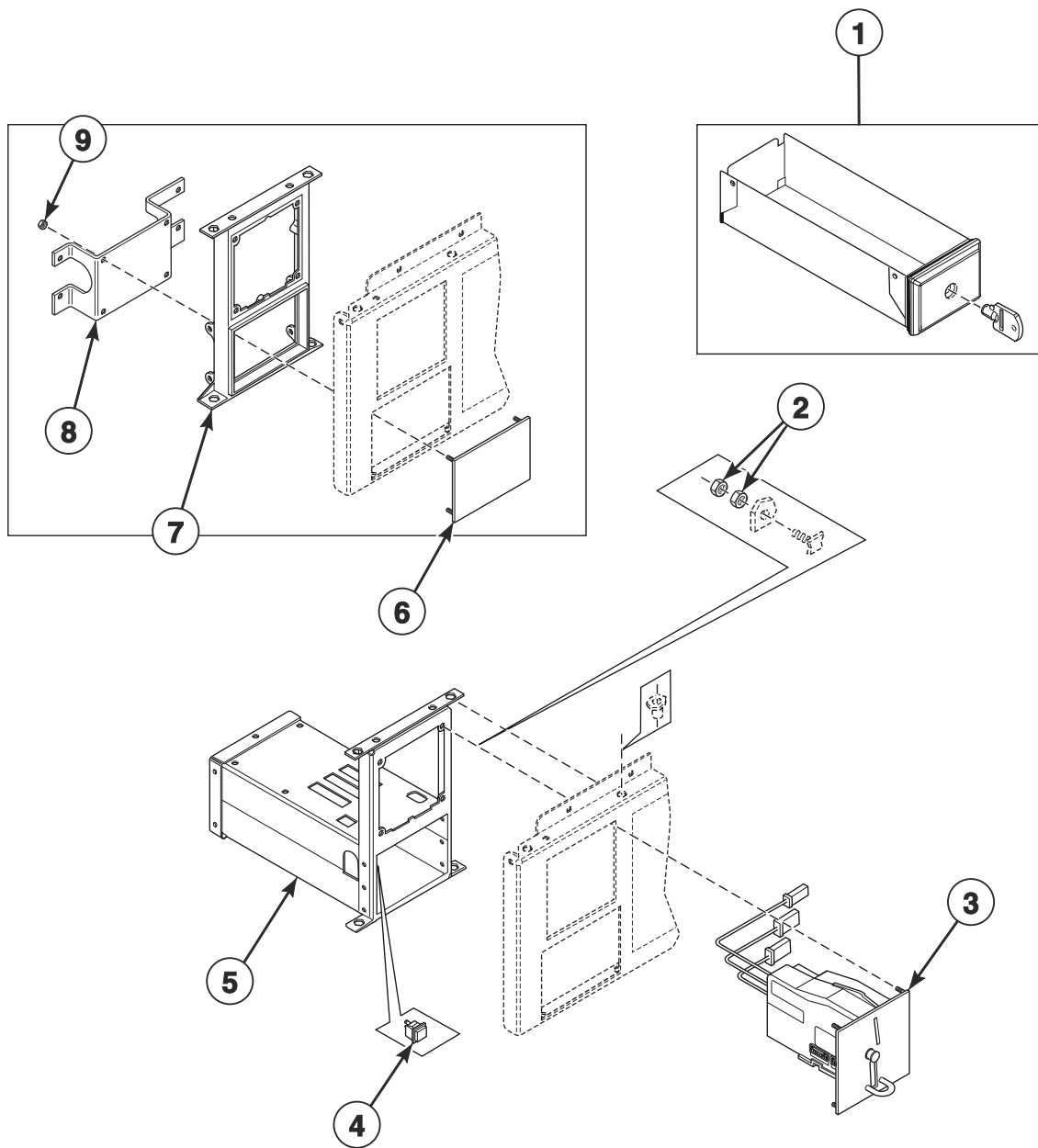
CFD653P_D1358

Coin Drop - Mechanical Coin Meter

| REF | PART NO. | DESCRIPTION | COMMENTS | |
|-----|--------------|--------------------------|-----------------------------------|--|
| 1 | 254/00077/00 | Coin Box | | |
| | 254/00077/02 | Key | | |
| 2 | 204/00116/00 | Nut | | |
| 3 | B12309901 | Wire Harness Assembly | Single/dual drop | |
| | B12310001 | Wire Harness Assembly | Dual drop | |
| | B12359902 | Optical Coin Drop Switch | B-series models; Single/dual drop | |
| 4 | B12311224 | Coin Drop | Mechanical; Jeton 5K | |
| | B12311206 | Coin Drop | Mechanical; Jeton 7K | |
| | B12311201 | Coin Drop | Mechanical; Jeton 10K | |
| | B12311210 | Coin Drop | Mechanical; Jeton 12K | |
| | B12311252 | Coin Drop | Mechanical; Jeton10K and .5 euro | |
| | B12311211 | Coin Drop | Mechanical; Jeton 7K and 1 euro | |
| | B12323901 | Coin Drop | Mechanical; Jeton 15K and 7K | |
| | B12311204 | Coin Drop | Mechanical; Jeton gettone | |
| | B12311234 | Coin Drop | Mechanical; Jeton crouzet | |
| | B12311247 | Coin Drop | Mechanical; Jeton 118-1 | |
| | B12311248 | Coin Drop | Mechanical; Jeton 118-5 | |
| | B12311222 | Coin Drop | Mechanical; 1 euro | |
| | B12311214 | Coin Drop | Mechanical; .5 euro | |
| | B12311202 | Coin Drop | Mechanical; .5 and 1 euro | |
| | B12311239 | Coin Drop | Mechanical; .5 and 2 euro | |
| | B12311205 | Coin Drop | Mechanical; .2 and 1 euro | |
| | B11211209 | Coin Drop | Mechanical; .2 and .5 euro | |
| | B12311218 | Coin Drop | Mechanical; 1 and 1 euro | |
| | B12311219 | Coin Drop | Mechanical; 1 and 2 euro | |
| | B12311203 | Coin Drop | Mechanical; 1 and 2 frank | |
| | B12311207 | Coin Drop | Mechanical; 1 Deense kroon | |
| | B12311225 | Coin Drop | Mechanical; 10 Deense kronen | |
| | B12311235 | Coin Drop | Mechanical; 10 Tsjechische kronen | |
| | B12311244 | Coin Drop | Mechanical; 10 Noorse kronen | |
| | B12311208 | Coin Drop | Mechanical; 100 and 500 yen | |
| | B12311212 | Coin Drop | Mechanical; 15K | |
| | B12311215 | Coin Drop | Mechanical; 1 kro | |
| | B12311226 | Coin Drop | Mechanical; Australia 1.00 | |
| | B12311216 | Coin Drop | Mechanical; Australia .2 and 1.00 | |
| | B12311220 | Coin Drop | Mechanical; New Zeland 1.00 | |
| | B12311221 | Coin Drop | Mechanical; .5 and 2 zwitsers | |
| | B12311241 | Coin Drop | Mechanical; Hong Kong 1.00 | |
| | B12311249 | Coin Drop | Mechanical; Hong Kong 5.00 | |
| | B12311301 | Coin Drop | Mechanical; U.S. \$.25 | |
| | B12311302 | Coin Drop | Mechanical; U.S. \$.25 and 1.00 | |
| | B12311304 | Coin Drop | Mechanical; Canada .25 and 1.00 | |
| | B12323401 | Coin Drop | Mechanical; Singapore 1.00 | |
| | | 209/00781/00 | Optical Switch | |
| | 5 | 209/00396/00 | Pushbutton | |
| | 6 | 152/00112/00 | Mechanical Coin Meter Housing | |
| 7 | 111/01003/00 | Top Panel | Black; Central pay option | |
| 8 | 217/00060/00 | Fastening Piece | Central pay option | |
| 9 | 111/01005/00 | Backplate | Central pay option | |
| 10 | 204/00116/00 | Nut | Central pay option | |

Coin Drop - Electronic Coin Meter

Cygnus Commercial, Premium, Standard and Vended Models

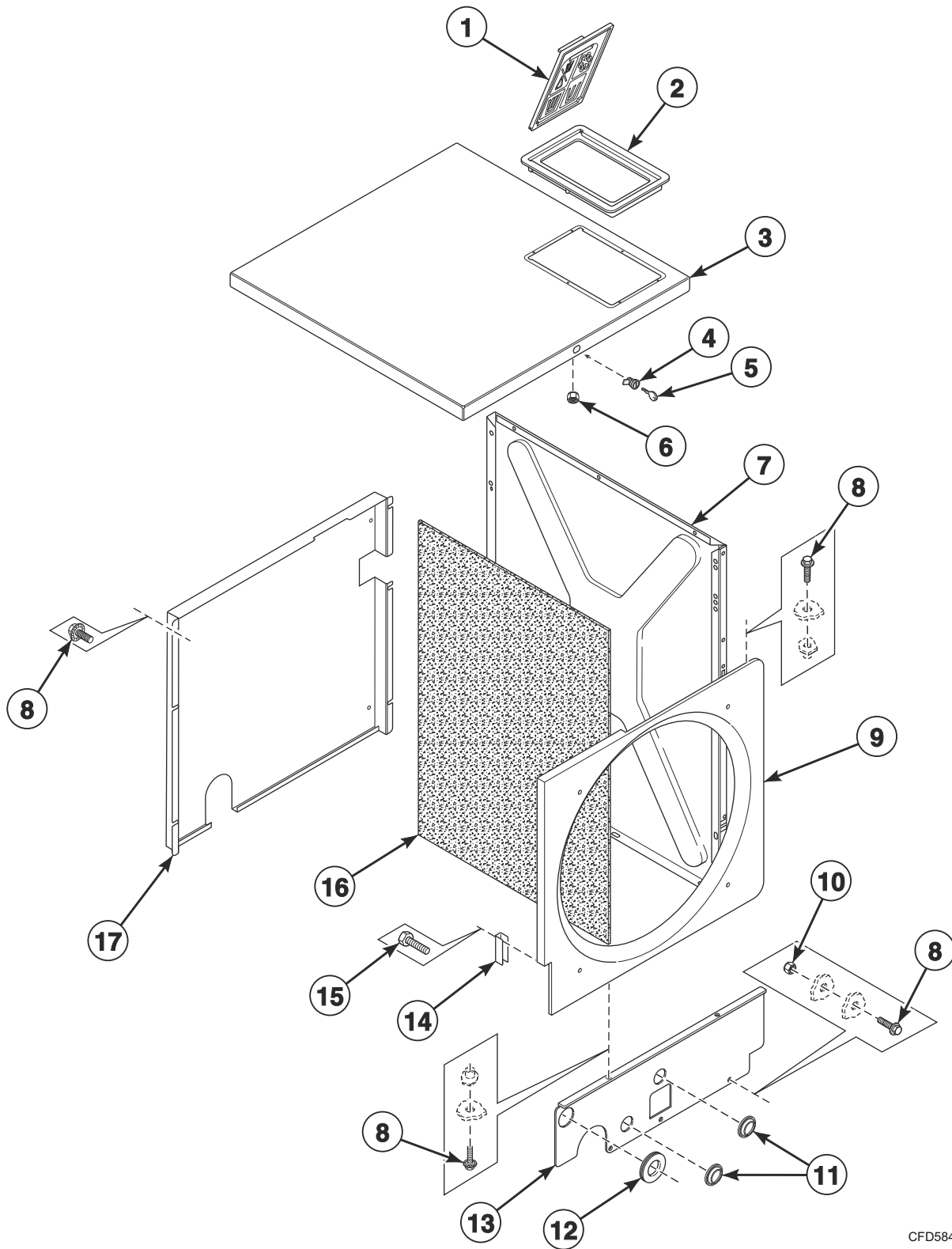


CFD617P_D1358

Coin Drop - Electronic Coin Meter

| REF | PART NO. | DESCRIPTION | COMMENTS |
|----------|--------------|-------------------------------|-----------------------------------|
| | B12309901 | Wire Harness Assembly | Single/dual drop |
| | B12310001 | Wire Harness Assembly | Dual drop |
| | B12359902 | Optical Coin Drop Switch | B-series models; Single/dual drop |
| 1 | 254/00077/00 | Coin Box | |
| | 254/00077/02 | Key | |
| 2 | 204/00116/00 | Nut | |
| 3 | B12311401 | Coin Drop | |
| 4 | 209/00396/00 | Pushbutton | |
| 5 | 152/00112/50 | Electronic Coin Meter Housing | |
| 6 | 111/01003/00 | Top Panel | Black; Central pay option |
| 7 | 217/00060/00 | Fastening Piece | Central pay option |
| 8 | 111/01005/00 | Backplate | Central pay option |
| 9 | 204/00116/00 | Nut | Central pay option |

Right Side, Front, Lower Rear and Top Panels - Models with Pump Drain

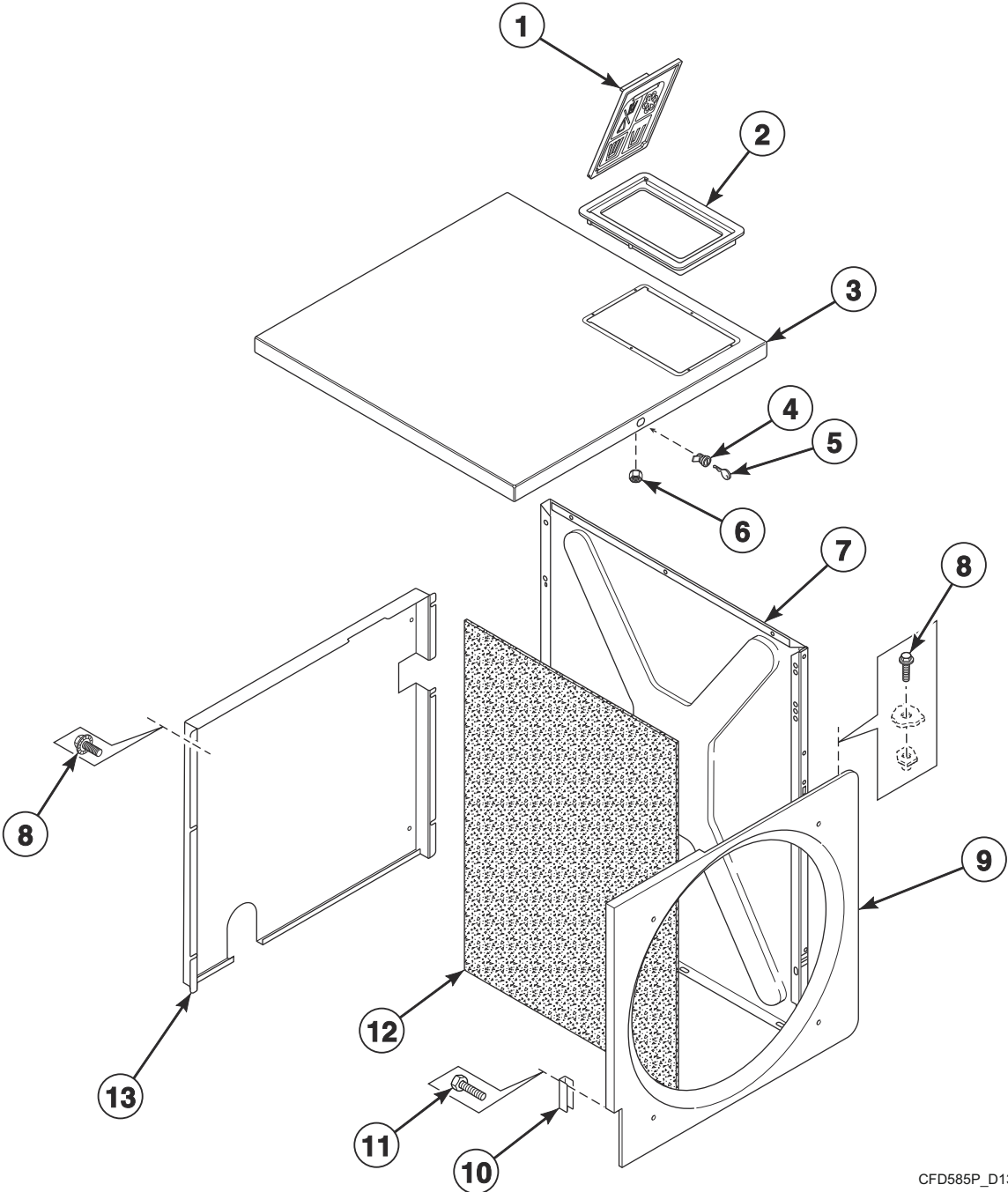


CFD584P_D1358

Right Side, Front, Lower Rear and Top Panels - Models with Pump Drain

| REF | PART NO. | DESCRIPTION | COMMENTS |
|-----|--------------|------------------------------|---|
| 1 | B12319101 | Supply Dispenser Cover | U.S. models |
| | B12356701 | Supply Dispenser Cover | International models |
| 2 | B12319201 | Supply Dispenser Cover Frame | |
| 3 | B12324301 | Top Panel | *12, *14, *18, *60, *65 and *75 models |
| | B12325401 | Top Panel | *25 and *100 models |
| 4 | 44089303P | Panel Lock | Includes item 5 |
| 5 | 70155603 | Key | |
| 6 | B12509101 | Nut | |
| 7 | 111/10128/00 | Side Panel | *12 and *60 models; Stainless steel |
| | 111/10089/00 | Side Panel | *14, *18, *65 and *75 models; Stainless steel |
| | 111/10097/00 | Side Panel | *25 and *100 models; Stainless steel |
| | 111/60048/00 | Side Panel | *12 and *60 models; Black |
| | 111/60031/00 | Side Panel | *14, *18, *65 and *75 models; Black |
| | 111/60034/00 | Side Panel | *25 and *100 models; Black |
| 8 | 206/00104/00 | Screw | |
| 9 | B12493001 | Front Panel | |
| 10 | 204/00009/00 | Nut | |
| 11 | 223/00198/00 | Grommet | |
| 12 | 223/00231/00 | Cable Duct | |
| 13 | 111/00289/00 | Pump Protection Plate | |
| 14 | 111/10089/01 | Reinforcement Plate | |
| 15 | 206/00114/00 | Bolt | |
| 16 | 246/00079/00 | Side Panel Gasket | |
| 17 | B12312601 | Lower Rear Panel | |

Right Side, Front, Lower Rear and Top Panels - Models without Pump Drain

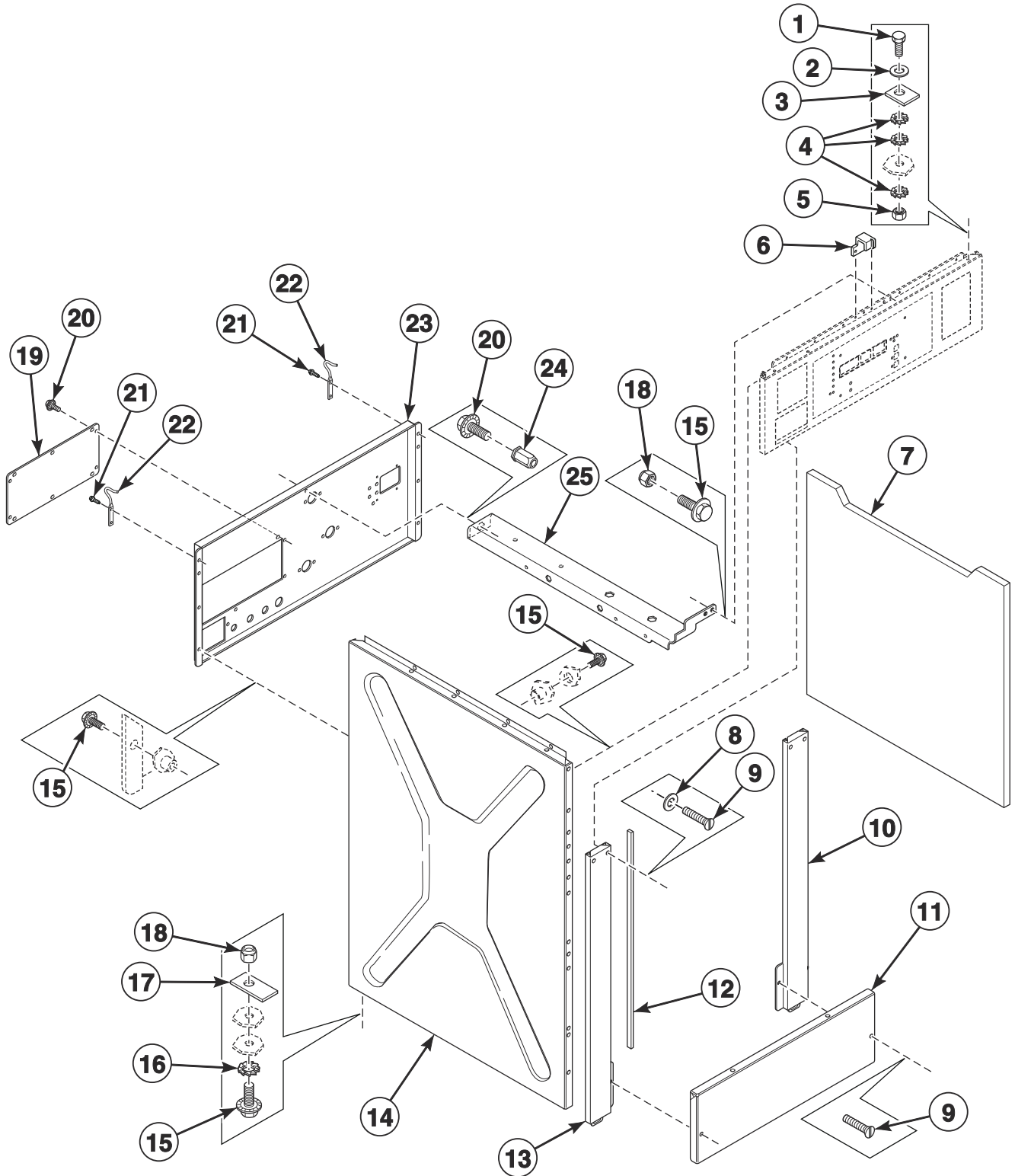


CFD585P_D1358

Right Side, Front, Lower Rear and Top Panels - Models without Pump Drain

| REF | PART NO. | DESCRIPTION | COMMENTS |
|-----|--------------|------------------------------|---|
| 1 | B12319101 | Supply Dispenser Cover | U.S. models |
| | B12356701 | Supply Dispenser Cover | International models |
| 2 | B12319201 | Supply Dispenser Cover Frame | |
| 3 | B12324301 | Top Panel | *12, *14, *18, *60, *65 and *75 models |
| | B12325401 | Top Panel | *25 and *100 models |
| 4 | 44089303P | Panel Lock | Includes item 5 |
| 5 | 70155603 | Key | |
| 6 | 44088801 | Nut | |
| 7 | 111/10128/00 | Side Panel | *12 and *60 models; Stainless steel |
| | 111/10089/00 | Side Panel | *14, *18, *65 and *75 models; Stainless steel |
| | 111/10097/00 | Side Panel | *25 and *100 models; Stainless steel |
| | 111/60048/00 | Side Panel | *12 and *60 models; Black |
| | 111/60031/00 | Side Panel | *14, *18, *65 and *75 models; Black |
| | 111/60034/00 | Side Panel | *25 and *100 models; Black |
| 8 | 206/00104/00 | Screw | |
| 9 | B12493001 | Front Panel | |
| 10 | 111/10089/01 | Reinforcement Plate | |
| 11 | 206/00114/00 | Bolt | |
| 12 | 246/00079/00 | Side Panel Gasket | |
| 13 | B12312601 | Lower Rear Panel | |

Left Side, Lower Front and Upper Rear Panels

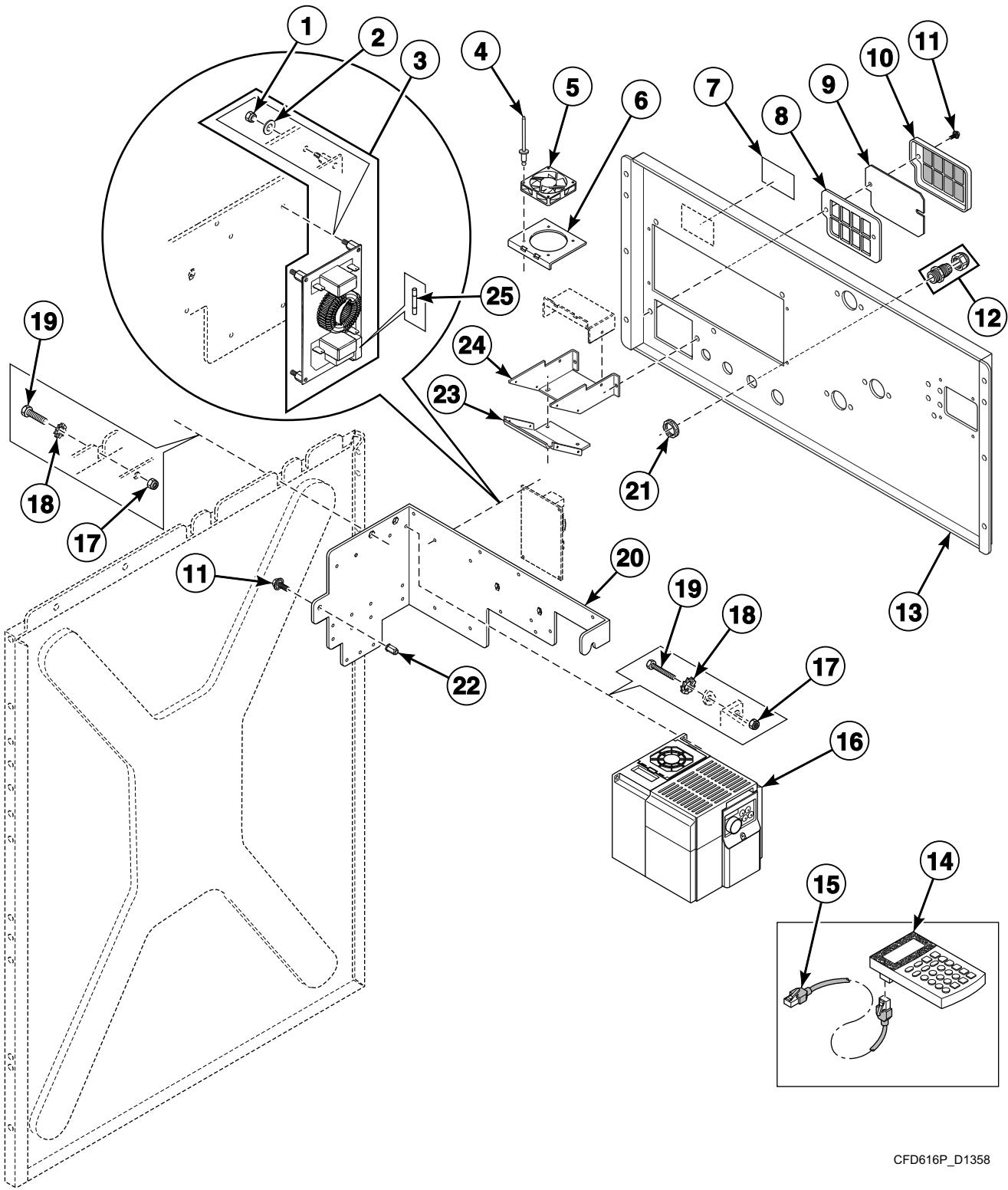


CFD586P_D1358

Left Side, Lower Front and Upper Rear Panels

| REF | PART NO. | DESCRIPTION | COMMENTS |
|-----|--------------|----------------------------|---|
| 1 | 205/00106/00 | Bolt | |
| 2 | 202/00003/00 | Washer | |
| 3 | 117/00042/00 | Retaining Ring | |
| 4 | 203/00005/00 | Washer | |
| 5 | 204/00107/00 | Nut | |
| 6 | F8201001 | Top Cover Latch | |
| 7 | 246/00079/00 | Side Panel Gasket | |
| 8 | 208/00009/00 | Washer | |
| 9 | B12500601 | Screw | |
| 10 | 111/10146/00 | Side Plate | Right |
| 11 | 111/00285/00 | Lower Front Panel | |
| 12 | B12525701 | Cellular Rubber | |
| 13 | 111/10145/00 | Side Plate | Left |
| 14 | 111/10128/00 | Side Panel | *12 and *60 models; Stainless steel |
| | 111/10089/00 | Side Panel | *14, *18, *65 and *75 models; Stainless steel |
| | 111/10097/00 | Side Panel | *25 and *100 models; Stainless steel |
| | 111/60048/00 | Side Panel | *12 and *60 models; Black |
| | 111/60031/00 | Side Panel | *14, *18, *65 and *75 models; Black |
| | 111/60034/00 | Side Panel | *25 and *100 models; Black |
| 15 | 205/00105/00 | Bolt | |
| 16 | 203/00004/00 | Washer | |
| 17 | 101/00007/00 | Outlet Pipe Plate Assembly | |
| 18 | 204/00009/00 | Nut | |
| 19 | B12312501 | Main Switch Cover | |
| 20 | 206/00104/00 | Screw | |
| 21 | B12462901 | Screw | |
| 22 | B12487401 | Top Cover Hinge | |
| 23 | B12312301 | Backbridge | |
| 24 | 204/00011/00 | Nut | |
| 25 | B12324601 | Supply Dispenser Crossbar | *25 and *100 models |
| | B12324101 | Supply Dispenser Crossbar | All other models |

Inverter Drive

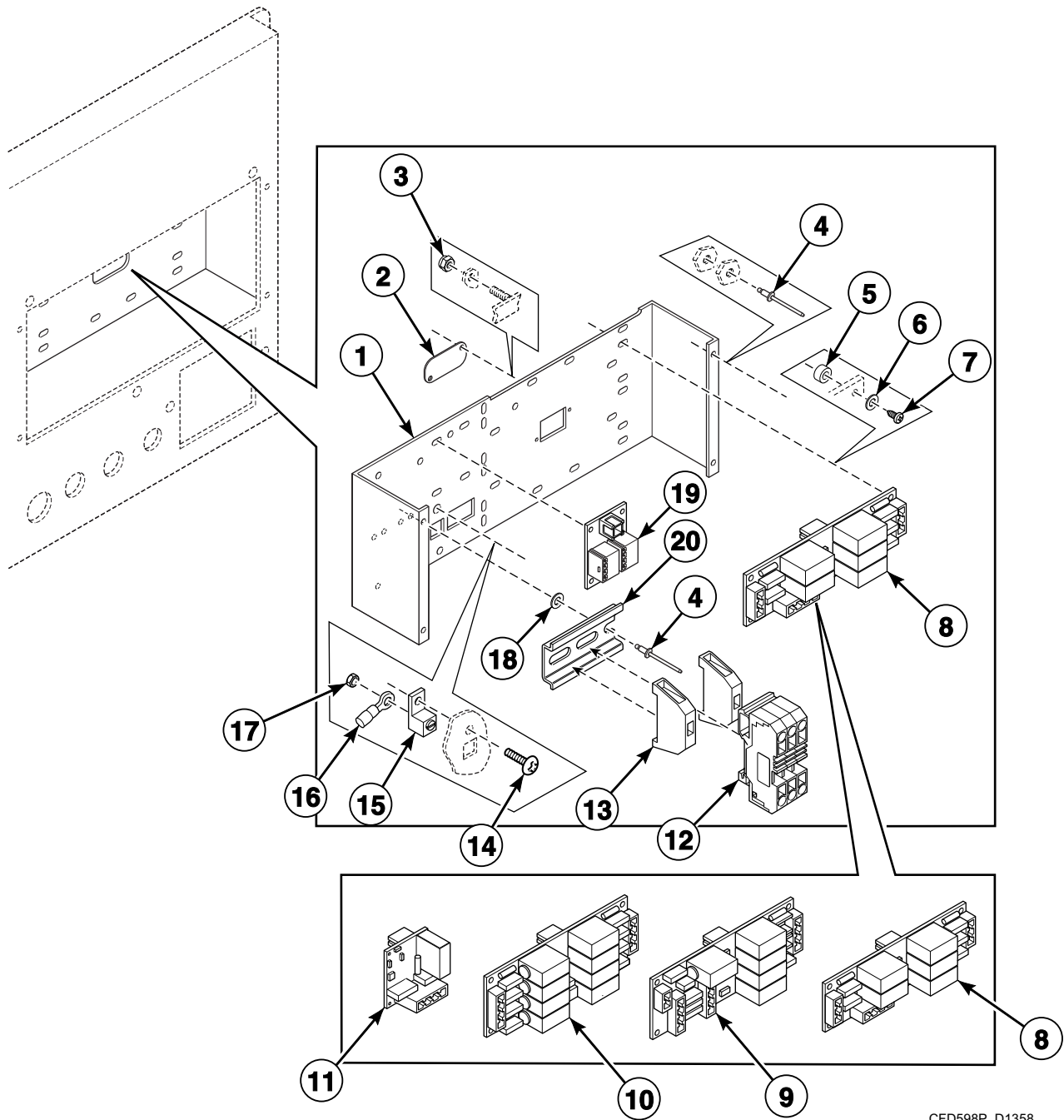


CFD616P_D1358

Inverter Drive

| REF | PART NO. | DESCRIPTION | COMMENTS |
|-----|--------------|---------------------------------|--|
| | B12501502 | E-Stop Drive Fan Harness | WE-8 models |
| | B12501501 | E-Stop Drive Fan Harness | Cygnus models |
| | B12495601 | Drive Source Harness | WE-8 models; C, N and P-voltage |
| | B12350101 | Ethernet Cable | Cygnus models |
| 1 | 204/00014/00 | Nut | |
| 2 | 202/00004/00 | Washer | |
| 3 | B12339301 | Noise Filter | 15A1; 1x230 Volt; C, Q and X-voltage |
| | 227/00242/00 | Noise Filter | 8A3; 3x400 Volt; N and P-voltage |
| 4 | 208/00017/00 | Rivet | |
| 5 | 209/00465/00 | Fan | |
| 6 | B12357201 | Fan Mounting Plate | |
| 7 | B12355001 | Voltage Discharge Decal | |
| 8 | B12372401 | Inverter Air Inlet Filter Frame | Inside |
| 9 | B12382401 | Inverter Air Inlet Filter Grill | |
| 10 | B12346701 | Inverter Air Inlet Filter Frame | Outside |
| 11 | 206/00104/00 | Screw | |
| 12 | 211/00181/00 | Strain Relief Connector | |
| 13 | B12312301 | Backbridge | |
| 14 | 227/00171/00 | Parameter Unit Assembly | Hand held |
| 15 | 227/00171/10 | Parameter Unit Program Cable | |
| 16 | F8420913 | Inverter Drive | 700 series; 1x230 Volt; WE-8 *18 and *75 models; C, Q and X-voltage |
| | F8420915 | Inverter Drive | 700 series; 1x230 Volt; WE-8 *25 and *100 models; C, Q and X-voltage |
| | 227/00228/00 | Inverter Drive | 700 series; 1x230 Volt; Cygnus models; C, Q and X-voltage |
| | F8420914 | Inverter Drive | 700 series; 3x400 Volt; WE-8 *18 and *75 models; N and P-voltage |
| | F8420916 | Inverter Drive | 700 series; 3x400 Volt; WE-8 *25 and *100 models; N and P-voltage |
| | 227/00236/00 | Inverter Drive | 700 series; 3x400 Volt; Cygnus models; N and P-voltage |
| 17 | 204/00114/00 | Nut | |
| 18 | 203/00006/00 | Washer | |
| 19 | 206/00088/00 | Bolt | |
| 20 | B12313101 | Inverter Drive Box | |
| 21 | 211/00170/00 | Nut | |
| 22 | 204/00011/00 | Nut | |
| 23 | B12342701 | Air Inlet Bottom | |
| 24 | B12342501 | Air Inlet | |
| 25 | B12389501 | Fuse | 3.15 A; 500 Volt; Used with 227/00242/00 Noise Filter; N and P-voltage |
| | 209/00468/00 | Fuse | 3.15 A; Used with B12339301 Noise Filter; C, Q and X-voltage |

Printboard Support Panel and Soap Injection Printboards - Cygnus Models

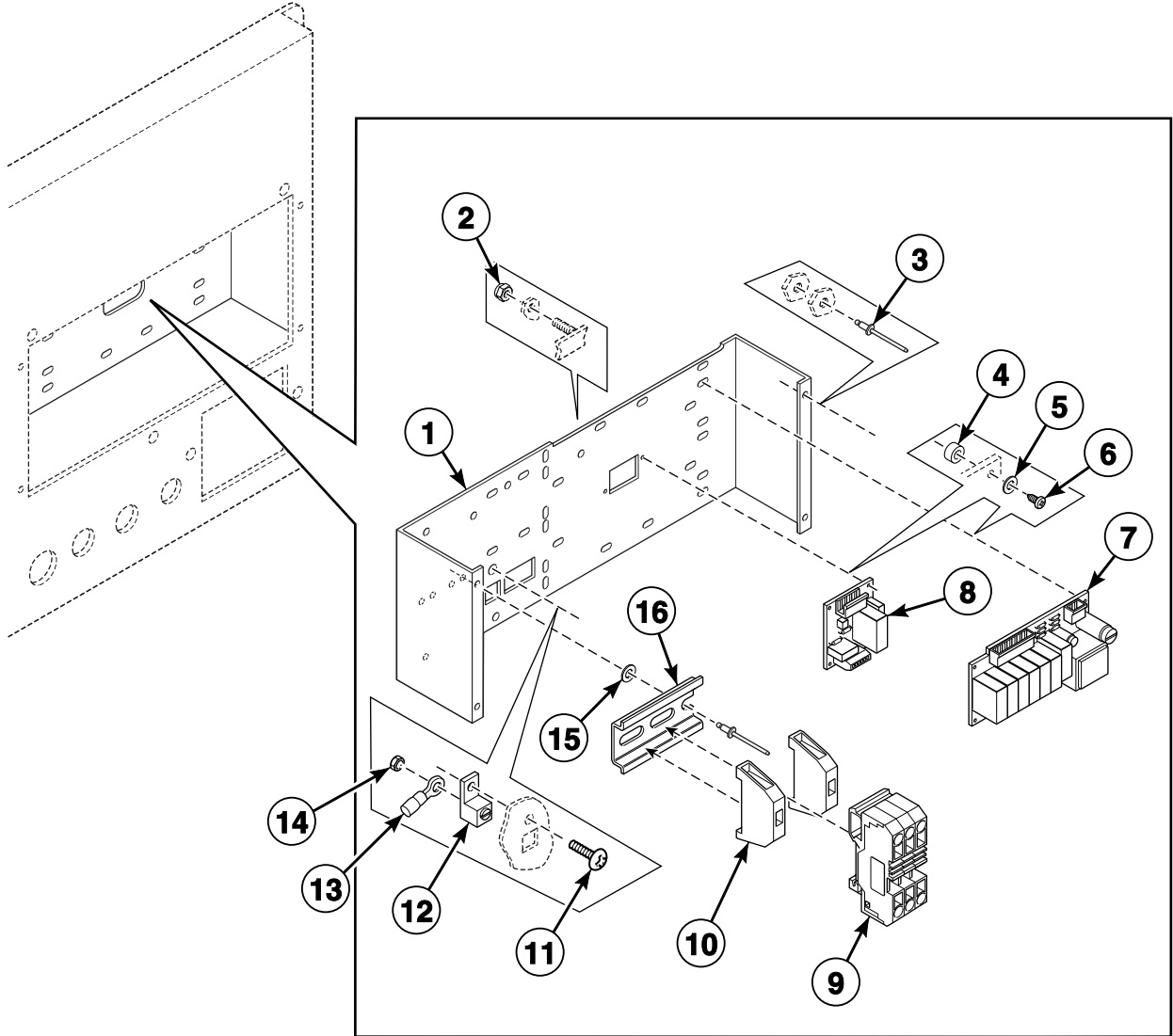


CFD598P_D1358

Printboard Support Panel and Soap Injection Printboards - Cygnus Models

| REF | PART NO. | DESCRIPTION | COMMENTS |
|-----|--------------|---------------------------|---|
| | B12388301 | Ribbon Assembly | Used with items 8-11 |
| | B12529201 | Extension Board Kit | Used with items 8-11; Includes items 2-7, 16, B12381402 Central Supply Harness, B12388301 Ribbon Assembly, 201616 Transformer, 70030501 Mounting Clips, B12462901 Screw and B12319608 Diagram; Does not include extension board |
| | B12529301 | Network Kit | Includes items 3, 5-7, 19, 211/00128/00 Printboard Separator, B12341801 Printboard Separator, B12341801 Printboard and B12390201 Network Connection Wiring |
| 1 | B12312401 | Printboard Support | |
| 2 | B12382501 | Flat Cable Plate | |
| 3 | 204/00116/00 | Nut | |
| 4 | 208/00017/00 | Rivet | |
| 5 | B12390301 | Standoff | |
| 6 | 223/00123/00 | Washer | |
| 7 | B12393801 | Screw | |
| 8 | 209/02005/00 | Detergent PC-Board | 1-5 |
| 9 | 209/02014/00 | Relay PC-Board | 5-5 |
| 10 | 209/02008/00 | Detergent PC-Board | 1-8 |
| 11 | 209/02016/00 | Relay PC-Board | 1-1 |
| 12 | 209/01625/00 | Terminal Block | Grey; 3 on C, N, P and Q-voltage; 1 on X-voltage |
| | 209/01624/00 | Terminal Block | Blue; 1 on C and X-voltage |
| | 209/01625/01 | Terminal End | |
| 13 | 209/00633/02 | End Stop | |
| 14 | 206/00104/00 | Screw | |
| 15 | M411283 | Ground Lug Connector | |
| 16 | B12456001 | Wiring Earth for Inverter | |
| 17 | 206/00101/00 | Nut | |
| 18 | 202/00004/00 | Washer | |
| 19 | B12344201 | Network Board | Network models |
| 20 | B12315401 | DIN Rail | 60 mm |

Printboard Support Panel and Soap Injection Printboards - WE-8 Models

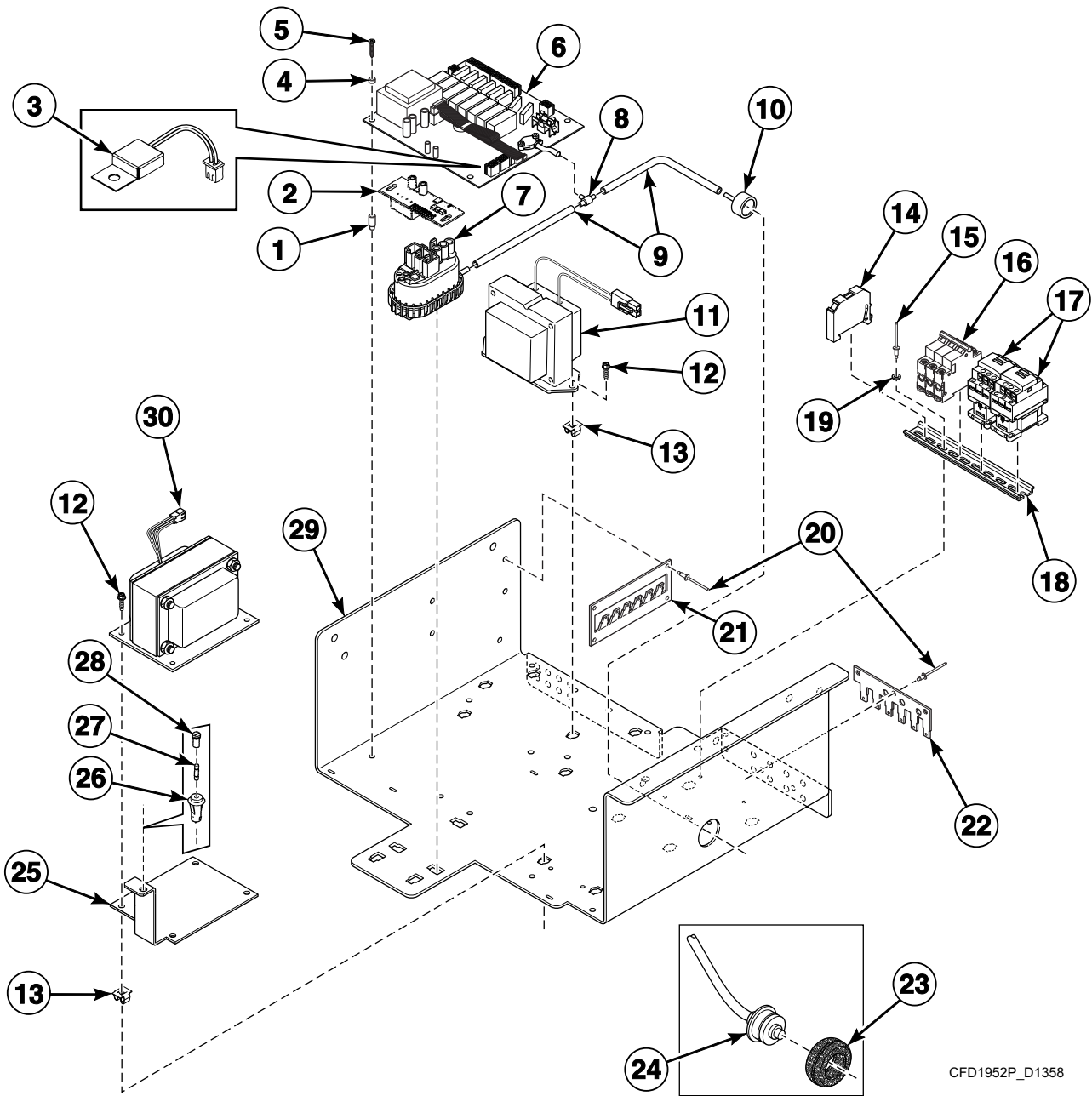


CFD2453P_D1358

Printboard Support Panel and Soap Injection Printboards - WE-8 Models

| REF | PART NO. | DESCRIPTION | COMMENTS |
|-----|--------------|------------------------------|--|
| | B12495702 | Soap Board Harness | Used with item 9 |
| 1 | B12312401 | Printboard Support | |
| 2 | 204/00116/00 | Nut | |
| 3 | 208/00017/00 | Rivet | |
| 4 | B12390301 | Standoff | |
| 5 | 223/00123/00 | Washer | |
| 6 | B12393801 | Screw | |
| 7 | 209/00218/13 | Soap Injection PCB with Fuse | |
| 8 | 209/00438/50 | Central Control Board | 240 Volt |
| 9 | 209/01625/00 | Terminal Block | Gray; 3 on C, N, P and Q-voltage, 1 on X-voltage |
| | 209/01624/00 | Terminal Block | Blue; 1 on C and X-voltage |
| | 209/01625/01 | Terminal End | |
| 10 | 209/00633/02 | End Stop | |
| 11 | 206/00104/00 | Screw | |
| 12 | M411283 | Ground Lug Connector | |
| 13 | B12456001 | Wiring Earth for Inverter | |
| 14 | 206/00109/00 | Nut | |
| 15 | 202/00004/00 | Washer | |
| 16 | B12315401 | DIN Rail | 60 mm |

Electrical Component Mounting Plate - Cygnus Controls

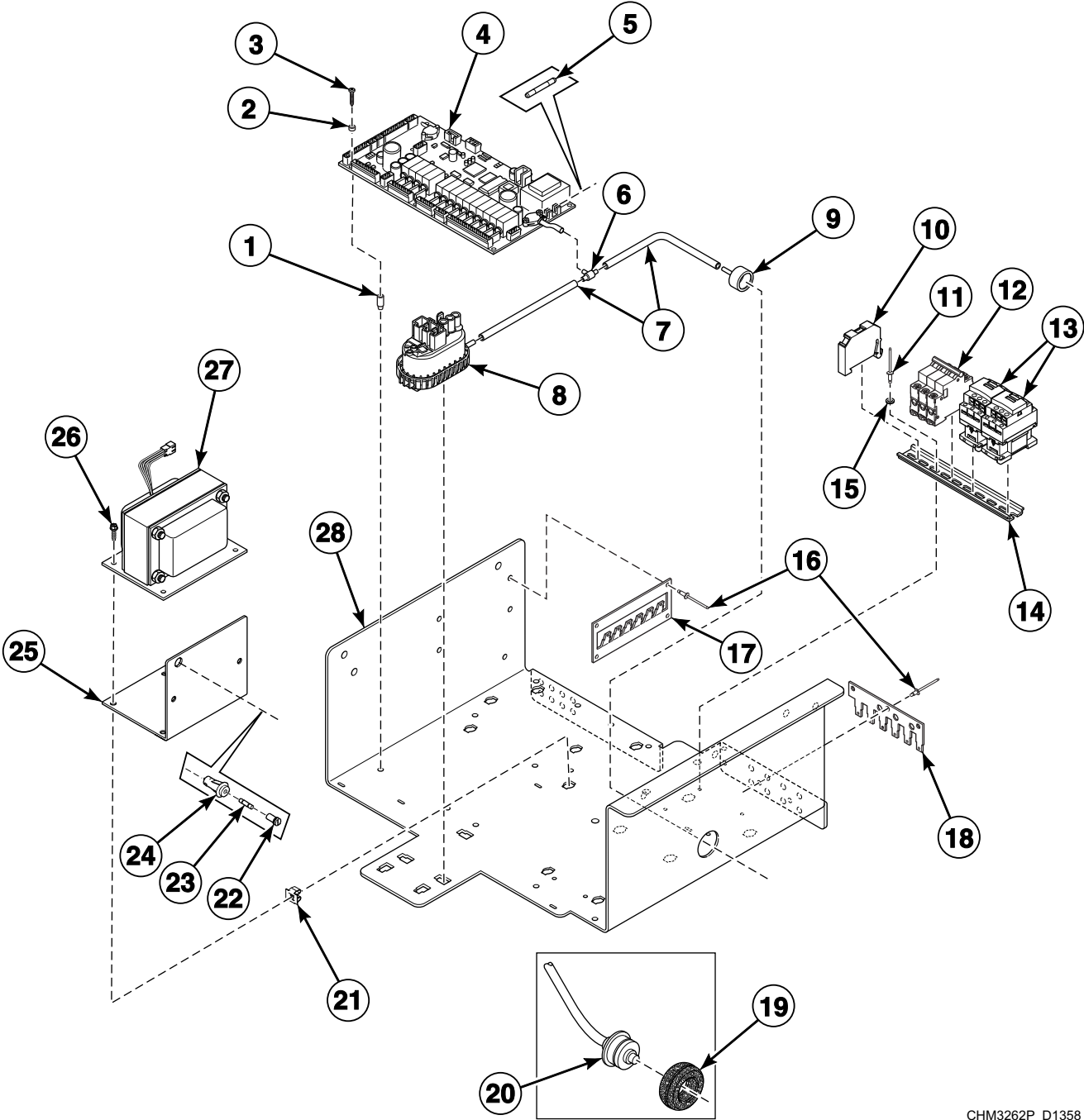


CFD1952P_D1358

Electrical Component Mounting Plate - Cygnus Controls

| REF | PART NO. | DESCRIPTION | COMMENTS |
|-----|---------------|-------------------------------------|--|
| | B12392701 | Direct Fill Harness | |
| | B12381101 | Main Control Tray Harness | |
| | B12348801 | Harness Control Comm | |
| | B12348301 | Control Supply Harness | N and P-voltage |
| | B12348101 | Control Supply Harness | C, Q and X-voltage |
| | B12381402 | Control Supply Harness | 24 VAC; Direct fill |
| | B12390201 | Network Connection Wiring | |
| 1 | B12390301 | Standoff | |
| 2 | B12341801 | Printboard | Network models |
| 3 | 209/02020/00 | ID Chip | |
| 4 | 223/00123/00 | Washer | |
| 5 | B12393801 | Screw | |
| 6 | B12355701 | Control Board | |
| | B12360001 | Fuse | 1.25A |
| 7 | 209/00027/10B | Water Level Switch | Single lever; 200/160; Electric, steam and dual heat |
| 8 | 223/00173/10 | Pressure Switch Hose Tee | |
| 9 | 223/00333/00 | Pressure Hose | |
| 10 | 223/00035/02 | Pressure Switch Cap | |
| 11 | 201616 | Transformer | Models with extension boards |
| 12 | B12462901 | Screw | |
| 13 | B12449601 | Expansion Clip | N and P-voltage |
| 14 | 209/00633/02 | End Stop | Electric, steam or dual heat |
| 15 | 208/00017/00 | Rivet | |
| 16 | B12487101 | Circuit Breaker | C and Q-voltage; Electric heat |
| | B12474601 | Circuit Breaker | N and P-voltage; Electric heat |
| 17 | 209/06148/02 | Heating Contactor | 1 on C, P and N-voltage; 2 on Q-voltage; Electric heat |
| 18 | B12315301 | DIN Rail | 200 mm |
| 19 | 202/00004/00 | Washer | |
| 20 | 208/00017/00 | Rivet | |
| 21 | B12395201 | Earth Plate Side | |
| 22 | B12395301 | Earth Plate Bottom | |
| 23 | 225/10004/00 | Thermostat Seal | |
| 24 | 210/01064/16 | Thermostat | |
| 25 | B12439601 | Transformer Fuse Mounting Plate | N and P-voltage |
| 26 | 70329401 | Fuse Holder Body | N and P-voltage |
| 27 | 802492 | Fuse | N and P-voltage |
| 28 | 70329501 | Fuse Holder Cap | N and P-voltage |
| 29 | B12313001 | Electrical Component Mounting Plate | |
| 30 | F8401301 | Transformer | N and P-voltage |

Electrical Component Mounting Plate - WE-8 Control

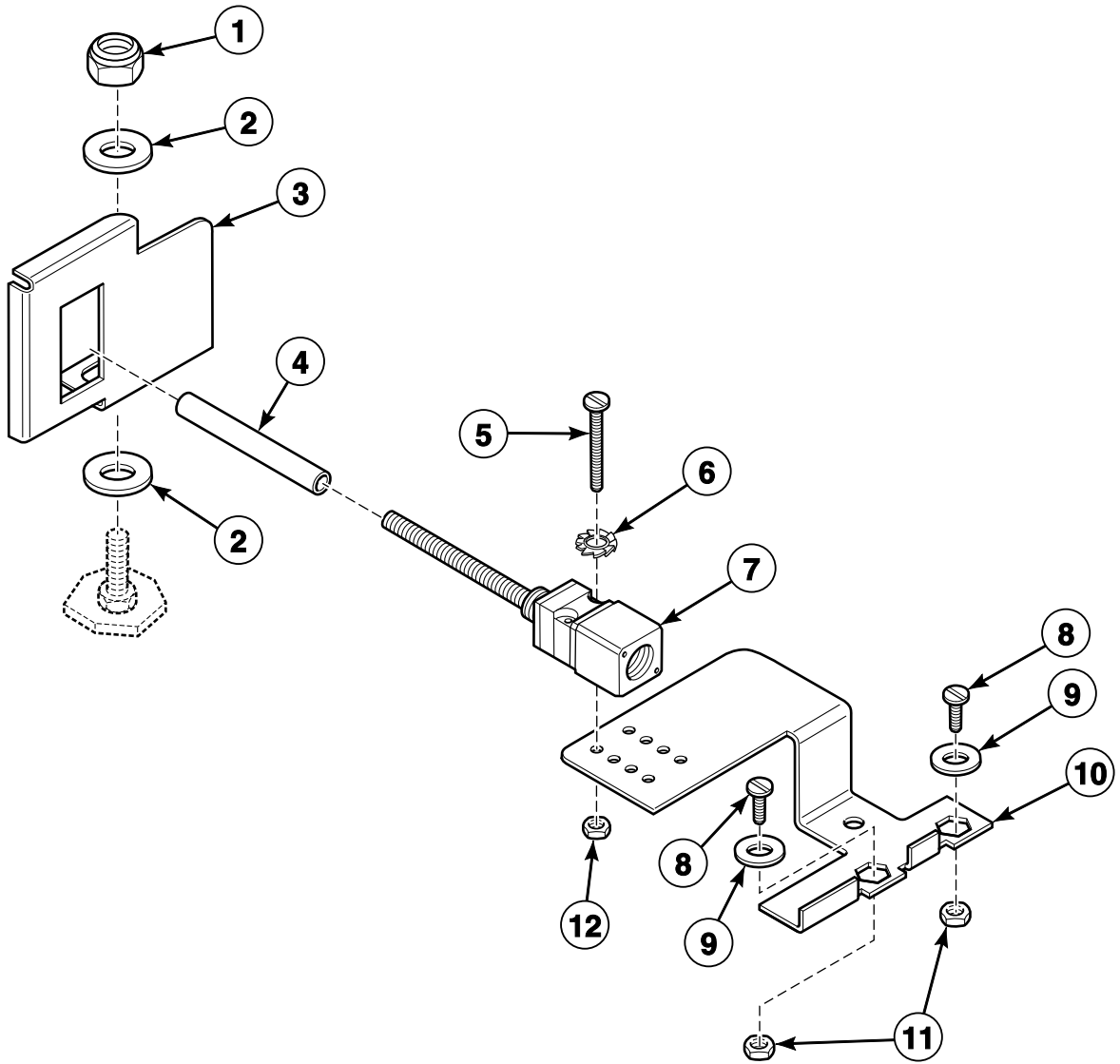


CHM3262P_D1358

Electrical Component Mounting Plate - WE-8 Control

| REF | PART NO. | DESCRIPTION | COMMENTS |
|-----|---------------|-------------------------------------|---|
| | B12348303 | Control Supply Harness | N and P-voltage |
| | B12348103 | Control Supply Harness | C, Q and X-voltage |
| | B12381103 | Main Control Tray Harness | |
| | B12392704 | Direct Fill Harness | 240 Volt |
| 1 | B12390301 | Standoff | |
| 2 | 223/00123/00 | Washer | |
| 3 | B12393801 | Screw | |
| 4 | B12565801 | Main Control | |
| 5 | 209/00372/01 | Fuse | 0.125 Amps |
| 6 | 223/00173/10 | Pressure Switch Hose Tee | |
| 7 | 223/00333/00 | Pressure Hose | |
| 8 | 209/00027/10B | Water Level Switch | Single lever; 200/160; Electric and steam heat |
| 9 | 223/00035/02 | Pressure Switch Cap | |
| 10 | 209/00633/02 | End Stop | Electric, steam or dual heat |
| 11 | 208/00027/00 | Rivet | |
| 12 | B12487101 | Circuit Breaker | Electric heat; C and Q-voltage; *18 and *75 models with X-voltage |
| 13 | 209/06148/02 | Heating Contactor | Electric heat; C and Q-voltage; *18 and *75 models with X-voltage |
| 14 | B12315301 | DIN Rail | 200 mm |
| 15 | 202/00004/00 | Washer | |
| 16 | 208/00017/00 | Rivet | |
| 17 | B12395201 | Earth Plate Side | |
| 18 | B12395301 | Earth Plate Bottom | |
| 19 | 225/10004/00 | Thermostat Seal | |
| 20 | 210/01064/16 | Thermostat | |
| 21 | B12449601 | Expansion Clip | |
| 22 | 70329501 | Fuse Holder Cap | N and P-voltage |
| 23 | 802492 | Fuse | N and P-voltage |
| 24 | 70329401 | Fuse Holder Body | N and P-voltage |
| 25 | B12439701 | Transformer Fuse Mounting Plate | N and P-voltage |
| 26 | B12462901 | Screw | |
| 27 | F8401301 | Transformer | N and P-voltage |
| 28 | B12313002 | Electrical Component Mounting Plate | |

Balance Switch

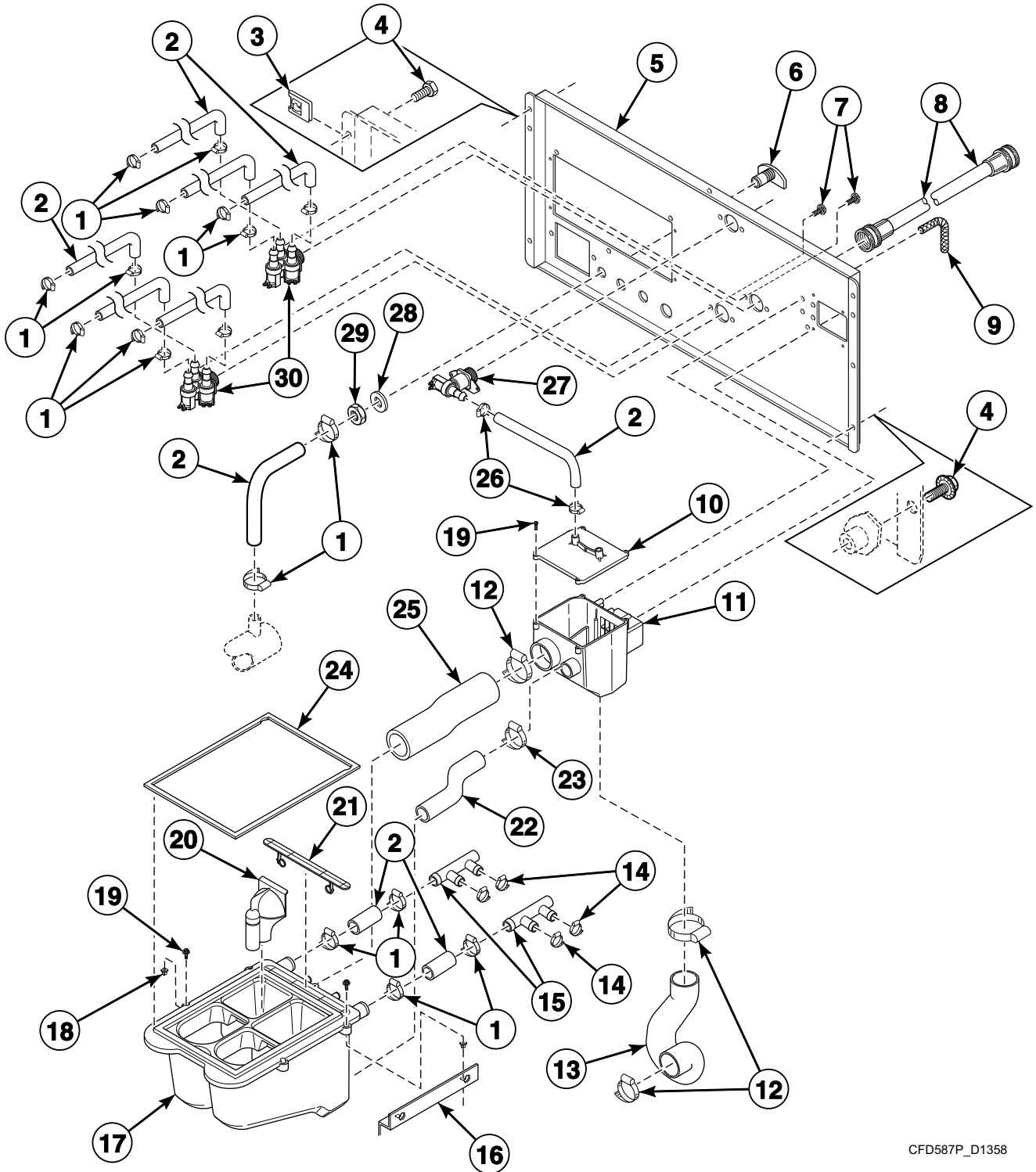


CFD544P_D1358

Balance Switch

| REF | PART NO. | DESCRIPTION | COMMENTS |
|-----|--------------|--------------------------------------|---------------|
| | B12349901 | Out-of-Balance Switch Wiring Harness | Cygnus models |
| | B12349902 | Out-of-Balance Switch Harness | WE-8 models |
| 1 | 204/00110/00 | Nut | |
| 2 | 201/00010/00 | Washer | |
| 3 | 111/01854/00 | Tilt Detector Plate | |
| 4 | 223/00246/00 | Out-of-Balance Switch Boot | |
| 5 | 207/00018/00 | Screw | |
| 6 | 203/00006/00 | Washer | |
| 7 | 209/00255/00 | Out-of-Balance Switch | |
| 8 | B12484601 | Bolt | |
| 9 | 201/00006/00 | Washer | |
| 10 | 111/01855/00 | Tilt Switch Support | |
| 11 | 204/00005/00 | Nut | |
| 12 | 204/00007/00 | Nut | |

Fill Plumbing Assembly



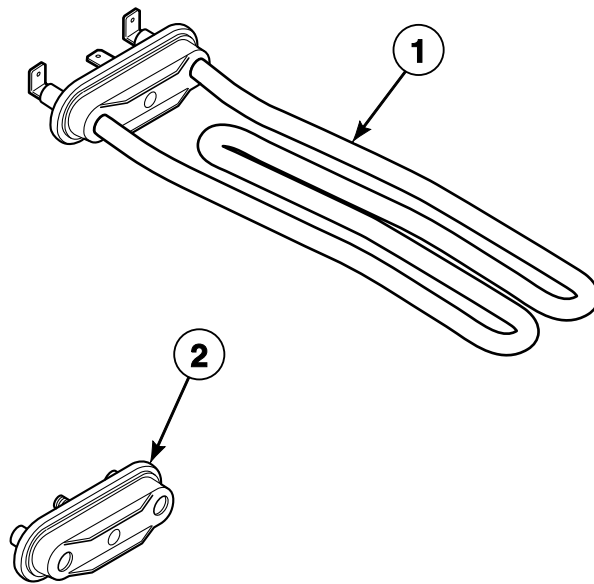
CFD587P_D1358

Fill Plumbing Assembly

| REF | PART NO. | DESCRIPTION | COMMENTS |
|-----|--------------|-----------------------------|---|
| | B12349201 | Inlet Valve Harness | Cygnus models |
| | B12349202 | Inlet Valve Harness | WE-8 models |
| 1 | 223/00010/00 | Hose Clamp | |
| 2 | 223/00044/01 | Water Hose | |
| 3 | B12469601 | Clip | |
| 4 | B12462901 | Screw | |
| 5 | B12312301 | Backbridge | |
| 6 | 223/00001/04 | Prewash and Mainwash Nozzle | |
| 7 | 206/00027/00 | Bolt | |
| 8 | F200164 | Water Hose | Standard thread |
| | F200166 | Water Hose | Metric thread |
| 9 | 223/00179/10 | Pressure Hose | |
| 10 | F8439301 | Vacuum Breaker Cover | |
| 11 | F8048601 | Vacuum Breaker Assembly | Includes item 10 |
| 12 | 223/00014/00 | Hose Clamp | |
| 13 | B12324506 | Siphon Break Hose | |
| 14 | 223/00011/00 | Hose Clamp | |
| 15 | F8333201 | Manifold | |
| 16 | B12316401 | Supply Dispenser Support | |
| 17 | F8047401 | Dispenser Assembly | |
| 18 | B12463001 | Insert | |
| 19 | B12462801 | Screw | |
| 20 | F8047901 | Siphon Cover | |
| 21 | F8047801 | Access Cover | |
| 22 | B12313303 | Dispenser Overflow Hose | |
| 23 | 223/00223/00 | Hose Clamp | |
| 24 | F8308301 | Dispenser Gasket | |
| 25 | B12390004 | Vacuum Supply Hose | |
| 26 | 223/00013/00 | Hose Clamp | |
| 27 | 209/00276/00 | Inlet Valve | 1-way; Hard water rinse option; Metric thread |
| | 223/00050/01 | Water Valve Adapter | Standard thread |
| 28 | 201/00002/00 | Washer | |
| 29 | 204/00201/00 | Nut | |
| 30 | B12463101 | Inlet Valve | 3-way; Standard thread |
| | B12496201 | Inlet Valve | 3-way; Metric thread |

Electric and Steam Heating Options

All Models Except CXR014X and CXR014Z



CFD588P_D1358

Electric and Steam Heating Options

| REF | PART NO. | DESCRIPTION | COMMENTS |
|----------|---------------|-------------------------|---|
| | F140329 | Strain Relief Connector | |
| | F140609 | DIN Connector | |
| | B12308001 | Relay | Steam heat |
| | B12349702 | Steam Heat Harness | WE-8 models |
| | B12349701 | Steam Heat Harness | Cygnus models |
| | B12349801 | Dual Heat Harness | Cygnus models |
| | B12382302 | Steam Valve Harness | |
| | B12349602 | Electric Heat Harness | WE-8 models |
| | B12349601 | Electric Heat Harness | Cygnus models |
| | B12382201 | Heat Harness | Electric heat; X-voltage; *12 and *60 models |
| | B12455802 | Heat Harness | Electric heat; Q-voltage; *18 and *75 models with X-voltage |
| | B12455902 | Heat Harness | Electric heat; C, N and P-voltage |
| | B12348502 | Branch Harness | Electric heat; Q-voltage; *18, *25, *75 and *100 models |
| | B12348503 | Branch Harness | Electric heat; X-voltage; *12 and *60 models |
| | B12348504 | Branch Harness | Electric heat; C, N and P-voltage; *12, *60 and *65 models with Q-voltage |
| | B12348505 | Branch Harness | Electric heat; X-voltage; *18 and *75 models |
| | B12381202 | Power Jumper Harness | Electric heat; X-voltage; *18 and *75 models |
| | B12381201 | Power Jumper Harness | |
| | 209/06148/02 | Heating Contactor | Electric heat |
| | 209/00027/10B | Water Level Switch | Steam heat |
| 1 | 209/00562/20 | Heating Element | 3 kW; 240 Volt; X-voltage; *12 and *60 models |
| | 209/00563/20 | Heating Element | 2 kW; 240 Volt; C, P and Q-voltage; *18 and *75 models with X-voltage |
| | 209/00564/20 | Heating Element | 3 kW; 275 Volt; N-voltage |
| 2 | 209/00196/00 | Heating Element Plug | |