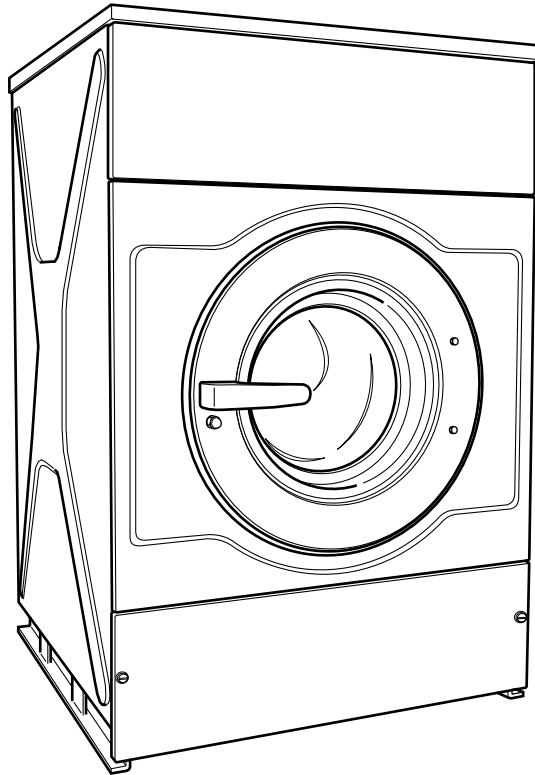


# Washer-Extractor

Cabinet Freestanding  
Refer to Page 5 for Model Numbers





CFD21C\_D0902



## Model Identification

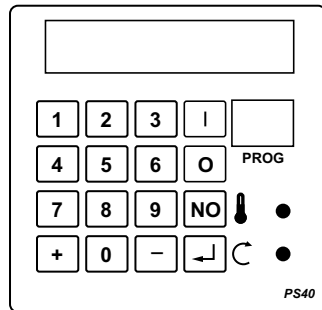
Information in this manual is applicable to these washer-extractor models:

HC60_CYGNUS-COMM_COIN	CHC012ANH	IHC025MEH	IHC075ANH
HC60_CYGNUS-COMM_OPL	CHC012MNH	IHC025MLH	IHC075MCH
HC60_CYGNUS-PREM_COIN	CHC018ANH	IHC025MNH	IHC075MDH
HC60_CYGNUS-PREM_OPL	CHC018MNH	IHC025MXH	IHC075MEH
HC60_CYGNUS-PRO	CHC025ANH	IHC025MYH	IHC075MLH
HC60_CYGNUS-STANDARD_COIN	CHC025MNH	IHC025SCH	IHC075MNH
HC60_CYGNUS-STANDARD_OPL	IHC012ANH	IHC025SDH	IHC075MRH
HC60_MICRO-20_COIN	IHC012MCH	IHC025SEH	IHC075MXH
HC60_MICRO-20_OPL	IHC012MDH	IHC025SLH	IHC075MYH
HC60_PS40F	IHC012MEH	IHC025SRH	IHC075SCH
HC60_SIGMA_COIN	IHC012MLH	IHC025SXH	IHC075SDH
HC60_SIGMA_OPL	IHC012MNH	IHC025SYH	IHC075SEH
HC65_CYGNUS-COMM_COIN	IHC012MXH	IHC060ANH	IHC075SLH
HC65_CYGNUS-COMM_OPL	IHC012MYH	IHC060MCH	IHC075SRH
HC65_CYGNUS-PREM_COIN	IHC012SCH	IHC060MDH	IHC075SXH
HC65_CYGNUS-PREM_OPL	IHC012SDH	IHC060MEH	IHC075SYH
HC65_CYGNUS-PRO	IHC012SEH	IHC060MLH	IHC075ZNH
HC65_CYGNUS-STANDARD_COIN	IHC012SLH	IHC060MNH	IHC100ANH
HC65_CYGNUS-STANDARD_OPL	IHC012SRH	IHC060MRH	IHC100MCH
HC65_MICRO-20_COIN	IHC012SXH	IHC060MXH	IHC100MDH
HC65_MICRO-20_OPL	IHC012SYH	IHC060MYH	IHC100MEH
HC65_PS40F	IHC018ANH	IHC060SCH	IHC100MLH
HC65_SIGMA_COIN	IHC018MCH	IHC060SDH	IHC100MNH
HC65_SIGMA_OPL	IHC018MDH	IHC060SEH	IHC100MRH
HC75_CYGNUS-COMM_COIN	IHC018MEH	IHC060SLH	IHC100MXH
HC75_CYGNUS-COMM_OPL	IHC018MLH	IHC060SRH	IHC100MYH
HC75_CYGNUS-PREM_COIN	IHC018MNH	IHC060SXH	IHC100SCH
HC75_CYGNUS-PREM_OPL	IHC018MXH	IHC060SYH	IHC100SDH
HC75_CYGNUS-PRO	IHC018MYH	IHC060ZNH	IHC100SEH
HC75_CYGNUS-STANDARD_COIN	IHC018SCH	IHC065ANH	IHC100SLH
HC75_CYGNUS-STANDARD_OPL	IHC018SDH	IHC065MCH	IHC100SRH
HC75_MICRO-20_COIN	IHC018SEH	IHC065MDH	IHC100SXH
HC75_MICRO-20_OPL	IHC018SLH	IHC065MEH	IHC100SYH
HC75_PS40F	IHC018SRH	IHC065MLH	IHC100ZNH
HC75_SIGMA_COIN	IHC018SXH	IHC065MNH	
HC75_SIGMA_OPL	IHC018SYH	IHC065MRH	
HC100_CYGNUS-COMM_COIN	IHC025ANH	IHC065MXH	
HC100_CYGNUS-COMM_OPL	IHC025MCH	IHC065MYH	
HC100_CYGNUS-PREM_COIN	IHC025MDH	IHC065SCH	
HC100_CYGNUS-PREM_OPL		IHC065SDH	
HC100_CYGNUS-PRO		IHC065SEH	
HC100_CYGNUS-STANDARD_COIN		IHC065SLH	
HC100_CYGNUS-STANDARD_OPL		IHC065SRH	
HC100_MICRO-20_COIN		IHC065SXH	
HC100_MICRO-20_OPL		IHC065SYH	
HC100_PS40F		IHC065ZNH	
HC100_SIGMA_COIN			
HC100_SIGMA_OPL			

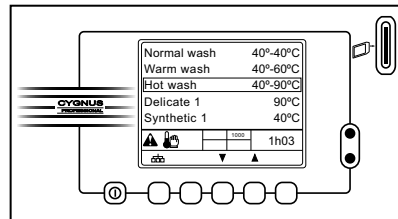
# Cabinet Freestanding Washer-Extractor Product Overview

Type:	<b>HC60C</b>	Nr: 07110WD0339
Voltage:	3 ~ 400V 50Hz	Weight: 181 kg
Motor:	0.55kW 2.5A	Capacity: 73 L
Heating:	9kW 16A	Dry Load: 7,3 kg
Total:	9.55 kW	Drum: 530 mm
Kinetic energy:	592 Nm	Speed: 700 rpm
Manufactured in:	2007	
Water Pressure: min. 2.07 max. 5.86 Kg/cm <sup>2</sup> IPX4 min. 20.7 max. 58.6 N/cm <sup>2</sup>		
sfc 741837		
<b>Alliance International BVBA</b> Nieuwstraat 146 8560 Wevelgem Belgium Tel: +32 56 41 20 54 Fax: +32 56 41 86 74 www.ipso.be		
		

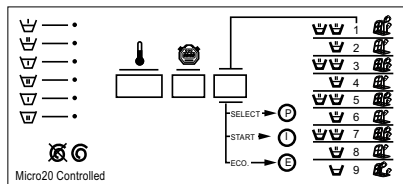
Model No: <b>1HC025MNHX10U03</b>	Serial No: 0803440291
Volts Hertz: 208-240   50/60	Type: WFF75
Phase: 1 - 3	
Amps: 6 amps	Capacity: 18/7 lbs/kg
Recommended Circuit Breaker: 15 amps	Water Pressure: 30-85 psi
Interrupt Current: 10 kA	Pressure: 2.07-5.86 bar
Motor: 1 hp	Max Speed: 700 rpm
0,75 kW	Net Weight: 400 lbs
Elec Heat: N/A kW	181 kg
Steam heat: N/A psi	IPX4
N/A bar	
<b>Alliance International BVBA</b> Made in Belgium	
	TEL 1-920-748-3121 www.comlaundry.com
	



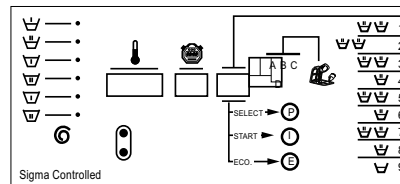
PS40



Cygnus Professional



Micro 20



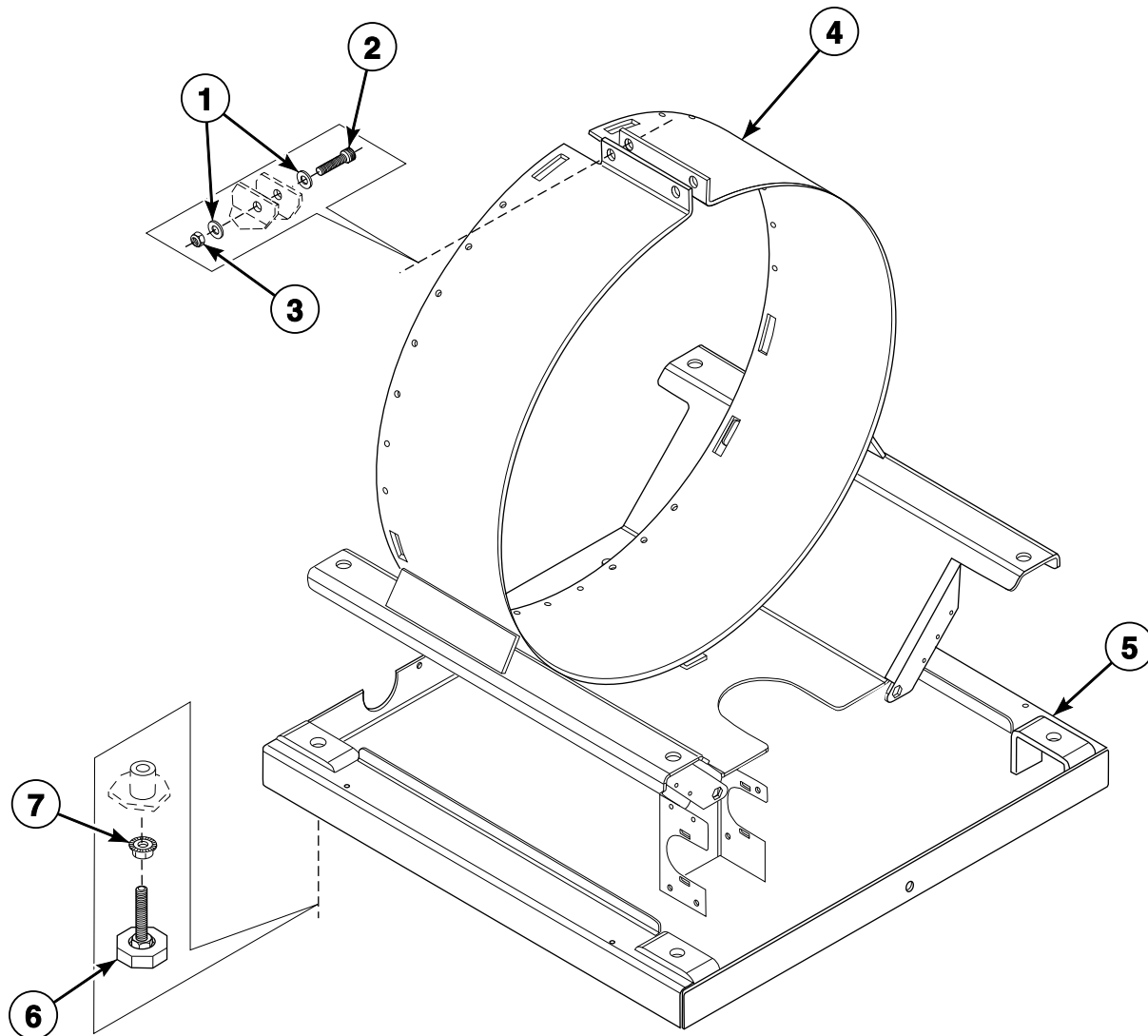
Sigma

CFD297P\_D0902

# Cabinet Freestanding Washer-Extractor Product Overview

REF	PART NO.	DESCRIPTION	COMMENTS
1	-	Product Family	CHC HC IHC
2	-	Capacity	12 18 25 60 65 75 100
3	-	Control	A (PS40F) Cygnus-Comm Cygnus-Prem Cygnus-Standard M (Micro-20) S (Sigma) Z (Cygnus-Pro)
4	-	Actuation	C (Coin Drop Meter) D (Dual Coin Drop ) E (Electronic Drop) L (Prep for Remote or Central Pay) N (Non-Coin) R (Smart Card Ready) X (Prep for Coin) Y (Card Ready)
5	-	Speed	H (High Speed)
6	-	Voltage	N (440-480/50-60/3/3) P (380-415/50-60/3/3) Q (208-240/50-60/3/3) X (200-240/50-60/1/3)
7	-	Design	1

# Frame

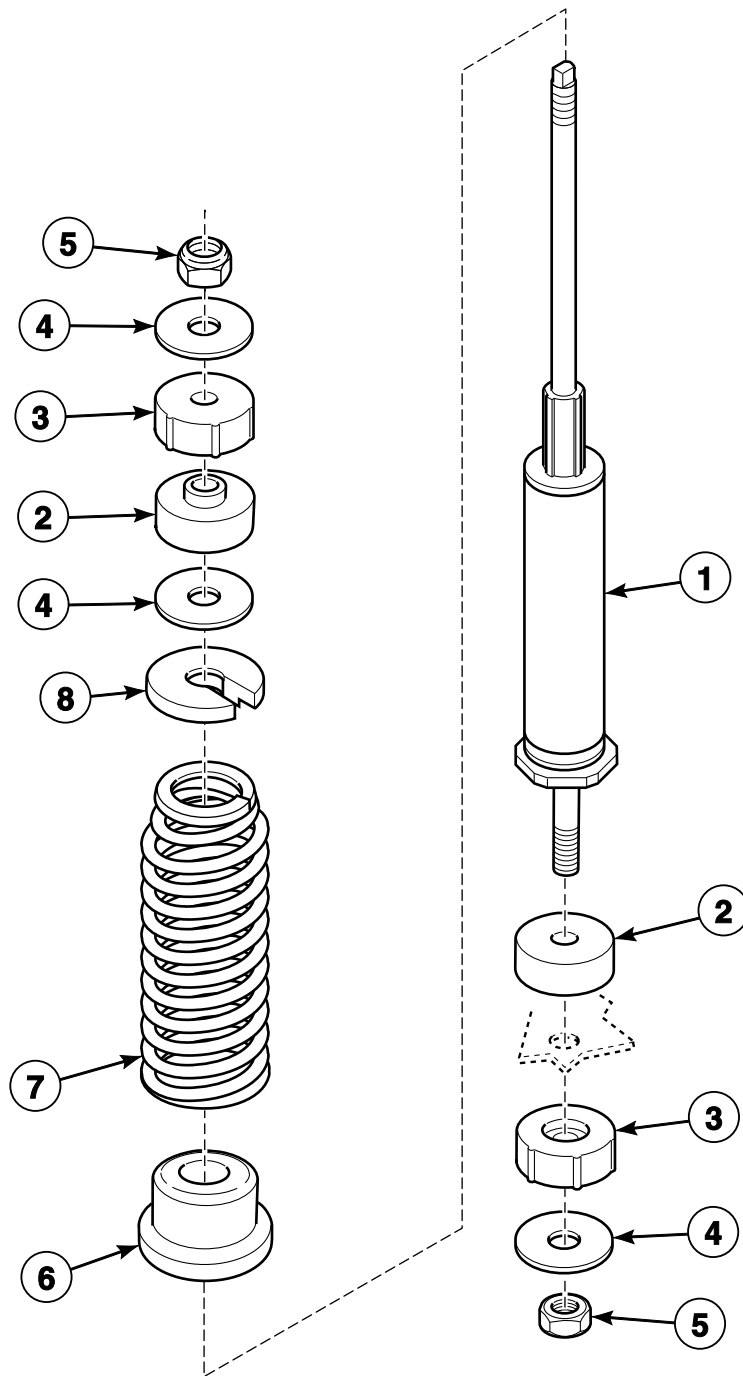


BE000614P\_D0902

# Frame

REF	PART NO.	DESCRIPTION	COMMENTS
1	201/00005/00	Washer	
2	206/00053/00	Screw	
3	204/00111/00	Nut	
4	152/00104/00	Tub Support	*65 models
	152/00105/00	Tub Support	*18 and *75 models
	152/00106/00	Tub Support	*25 and *100 models
	152/00122/00	Tub Support	*12 and *60 models
5	152/00101/50	Frame	*18, *65 and *75 models
	152/00102/50	Frame	*25 and *100 models
	152/00119/50	Frame	*12 and *60 models
6	252/00006/00	Leveling Leg	
7	206/00106/00	Nut	

# Shock Absorber



BE000626P\_D0902

# Shock Absorber

REF	PART NO.	DESCRIPTION	COMMENTS
1	247/00002/02	Shock Absorber	
	247/00003/00	Shock Absorber	Includes items 1, 2, 4, 6, 8 and 247/00002/01 Suspension Spring
2	247/00006/00	Fastening Rubber	
3	247/00007/00	Fastening Rubber	
4	201/00015/00	Washer	
5	204/00110/00	Nut	
6	247/00001/03	Spring Seat Bottom	
7	247/00009/00	Suspension Spring	Red; 5 mm diameter
	247/00002/01	Suspension Spring	Blue; 5.5 mm diameter
	247/00001/01	Suspension Spring	Black; 4.8 mm diameter
	247/00002/03	Shock Absorber	Includes items 2, 4 and 247/00009/00 Suspension Spring
	247/00002/00	Shock Absorber	Includes items 2, 4 and 247/00001/01 Suspension Spring
8	247/00001/04	Spring Holder Top	



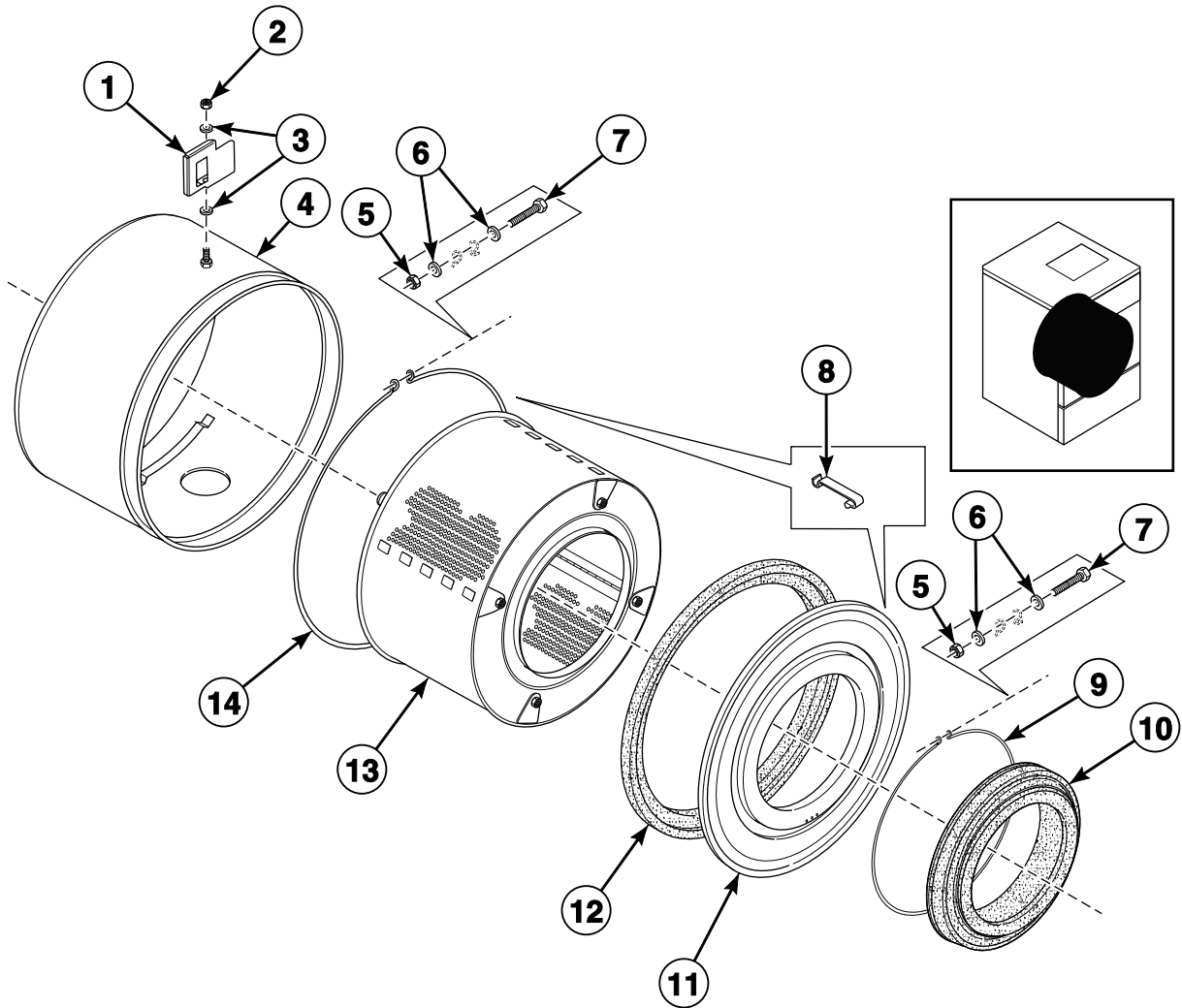
# Shell and Basket (Drawing 1 of 4)

\*12 and \*60 Models Through Serial No. 07030H10331

\*65 Models Through Serial No. 07030H20366

\*18 and \*75 Models Through Serial No. 07030H30253

\*25 and \*100 Models Through Serial No. 07030H40276



BE000615P\_D0902

## Shell and Basket (Drawing 1 of 4)

REF	PART NO.	DESCRIPTION	COMMENTS
1	111/01854/00	Tilt Detector Plate	
2	204/00110/00	Nut	
3	201/00010/00	Washer	
4	B12328001	Outer Tub	*65 models; Electric heat
	B12328101	Outer Tub	*65 models; Boiler fed
	B12328301	Outer Tub	*18 and *75 models; Electric heat
	B12328401	Outer Tub	*18 and *75 models; Boiler fed
	117/00202/00	Outer Tub	*25 and *100 models; Electric heat
	B12328701	Outer Tub	*25 and *100 models; Boiler fed
	B12327701	Outer Tub	*12 and *60 models; Electric heat
	B12327801	Outer Tub	*12 and *60 models; Boiler fed
5	204/00009/00	Nut	
6	202/00003/00	Washer	
7	206/00011/00	Bolt	
8	217/00008/00	Tub Front Panel Clip	
9	238/00017/00	Clamp	
10	255/00123/00	Boot	
11	118/00054/03	Tub Front Panel	
12	B12351601	Tub Front Gasket	
13	111/01806/00	Cylinder and Shaft Assembly	*65 models
	111/01807/00	Cylinder and Shaft Assembly	*18 and *75 models
	B12326101	Drum and Axle	*25 and *100 models
	111/01915/00	Cylinder	*12 and *60 models
14	217/00007/00	Tub Front Ring Clamp	

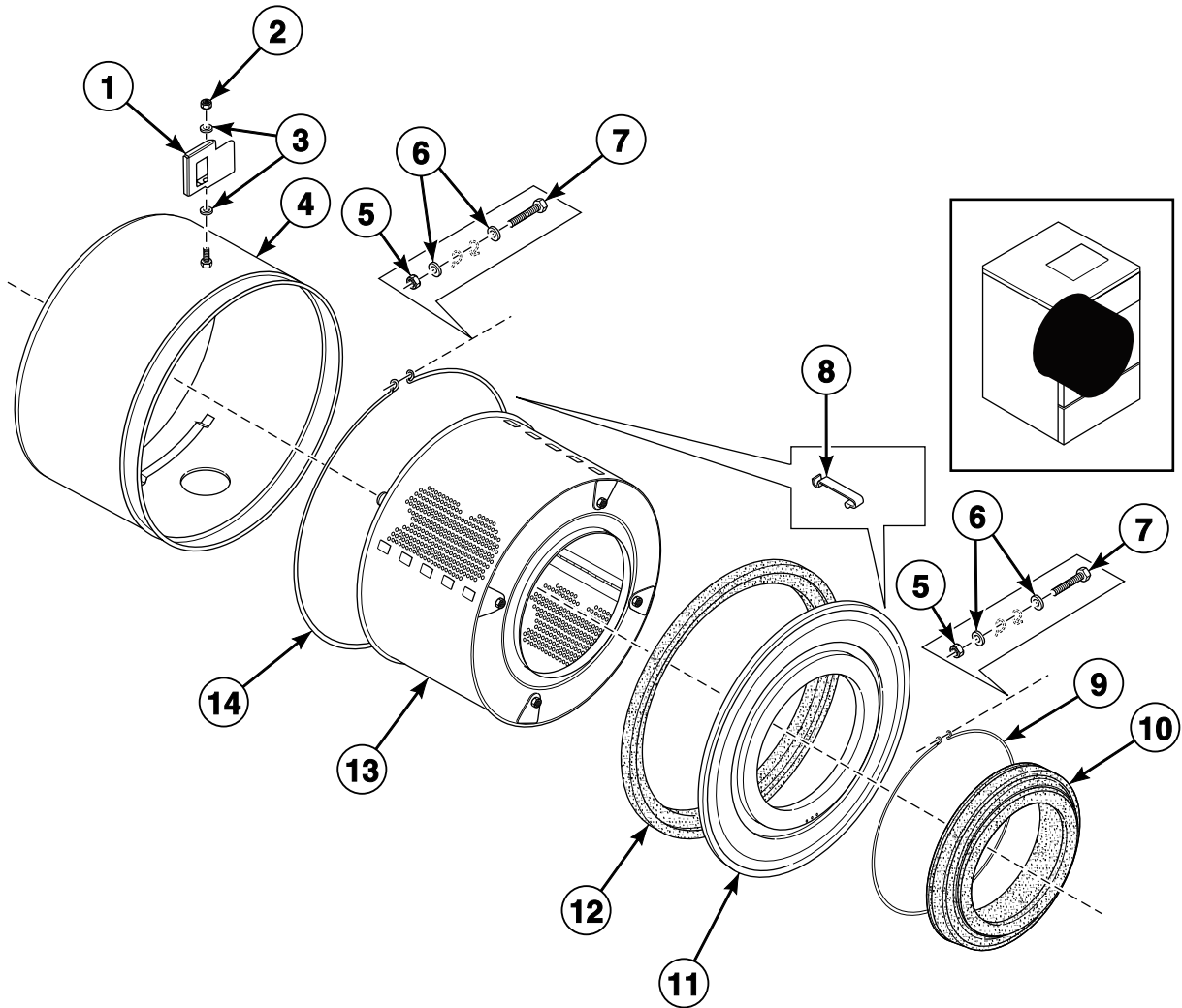
## Shell and Basket (Drawing 2 of 4)

\*12 and \*60 Models Starting Serial No. 07030H10332 Through Serial No. 07040H10387

\*65 Models Starting Serial No. 07030H20367 Through Serial No. 07040H20415

\*18 and \*75 Models Starting Serial No. 07030H30254 Through Serial No. 07040H30274

\*25 and \*100 Models Starting Serial No. 07030H40277 Through Serial No. 07040H40232



BE000615P\_D0902

## Shell and Basket (Drawing 2 of 4)

REF	PART NO.	DESCRIPTION	COMMENTS
1	111/01854/00	Tilt Detector Plate	
2	204/00110/00	Nut	
3	201/00010/00	Washer	
4	B12328001	Outer Tub	*65 models; Electric heat
	B12328101	Outer Tub	*65 models; Boiler fed
	B12328301	Outer Tub	*18 and *75 models; Electric heat
	B12328401	Outer Tub	*18 and *75 models; Boiler fed
	117/00202/00	Outer Tub	*25 and *100 models; Electric heat
	B12328701	Outer Tub	*25 and *100 models; Boiler fed
	B12327701	Outer Tub	*12 and *60 models; Electric heat
	B12327801	Outer Tub	*12 and *60 models; Boiler fed
5	204/00009/00	Nut	
6	202/00003/00	Washer	
7	206/00011/00	Bolt	
8	217/00008/00	Tub Front Panel Clip	
9	238/00017/00	Clamp	
10	255/00123/00	Boot	
11	118/00054/03	Tub Front Panel	
12	B12351601	Tub Front Gasket	
13	111/01915/00	Cylinder	*12 and *60 models
	B12325701	Drum and Axle	*65 models
	111/01917/00	Cylinder and Shaft Assembly	*18 and *75 models
	B12326101	Drum and Axle	*25 and *100 models
14	217/00007/00	Tub Front Ring Clamp	

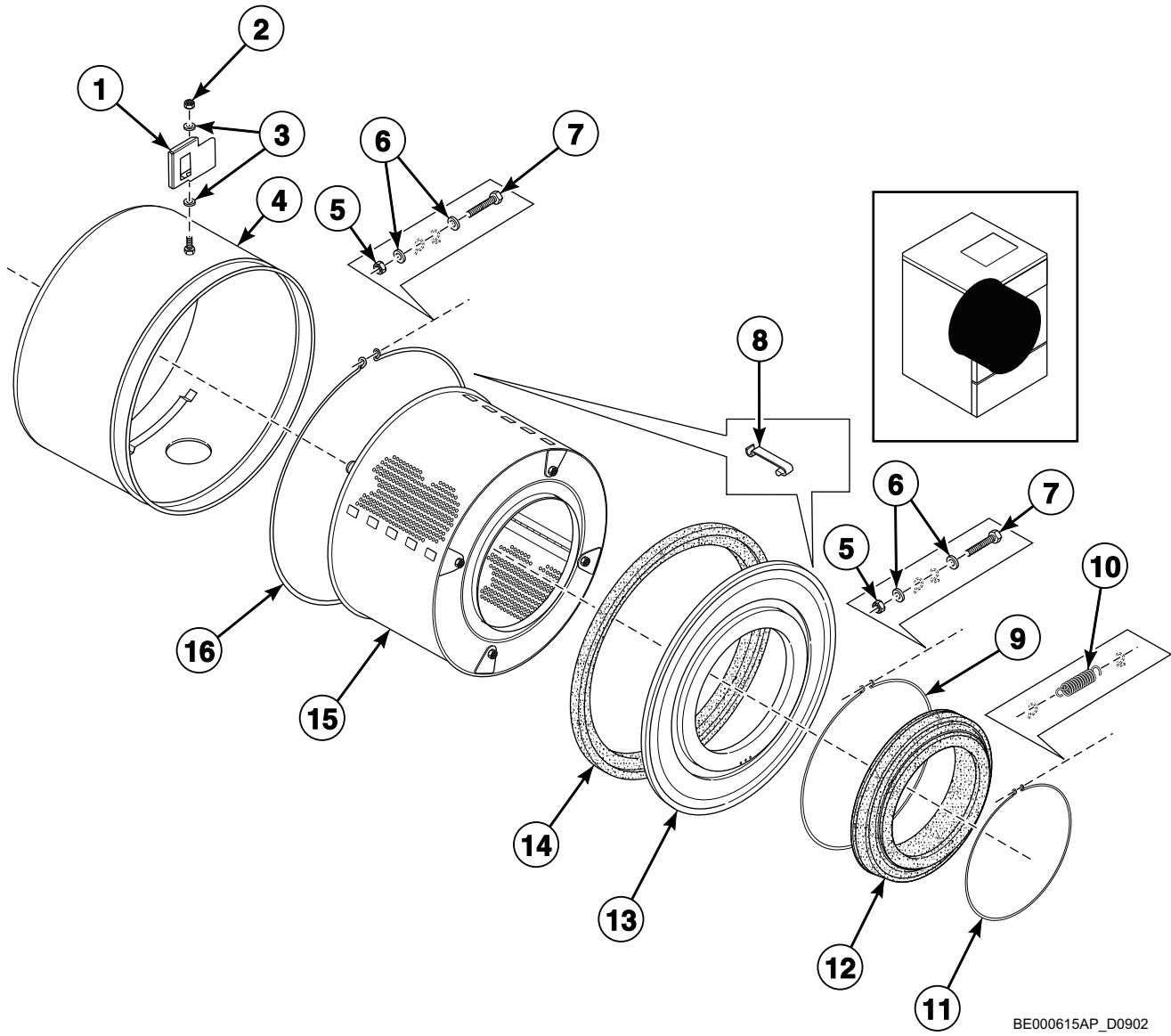
# Shell and Basket (Drawing 3 of 4)

\*12 and \*60 Models Starting Serial No. 07040H10388 Through 6/21/09

\*65 Models Starting Serial No. 07040H20416 Through 6/21/09

\*18 and \*75 Models Starting Serial No. 07040H30275 Through 6/21/09

\*25 and \*100 Models Starting Serial No. 07040H40233 Through 6/21/09



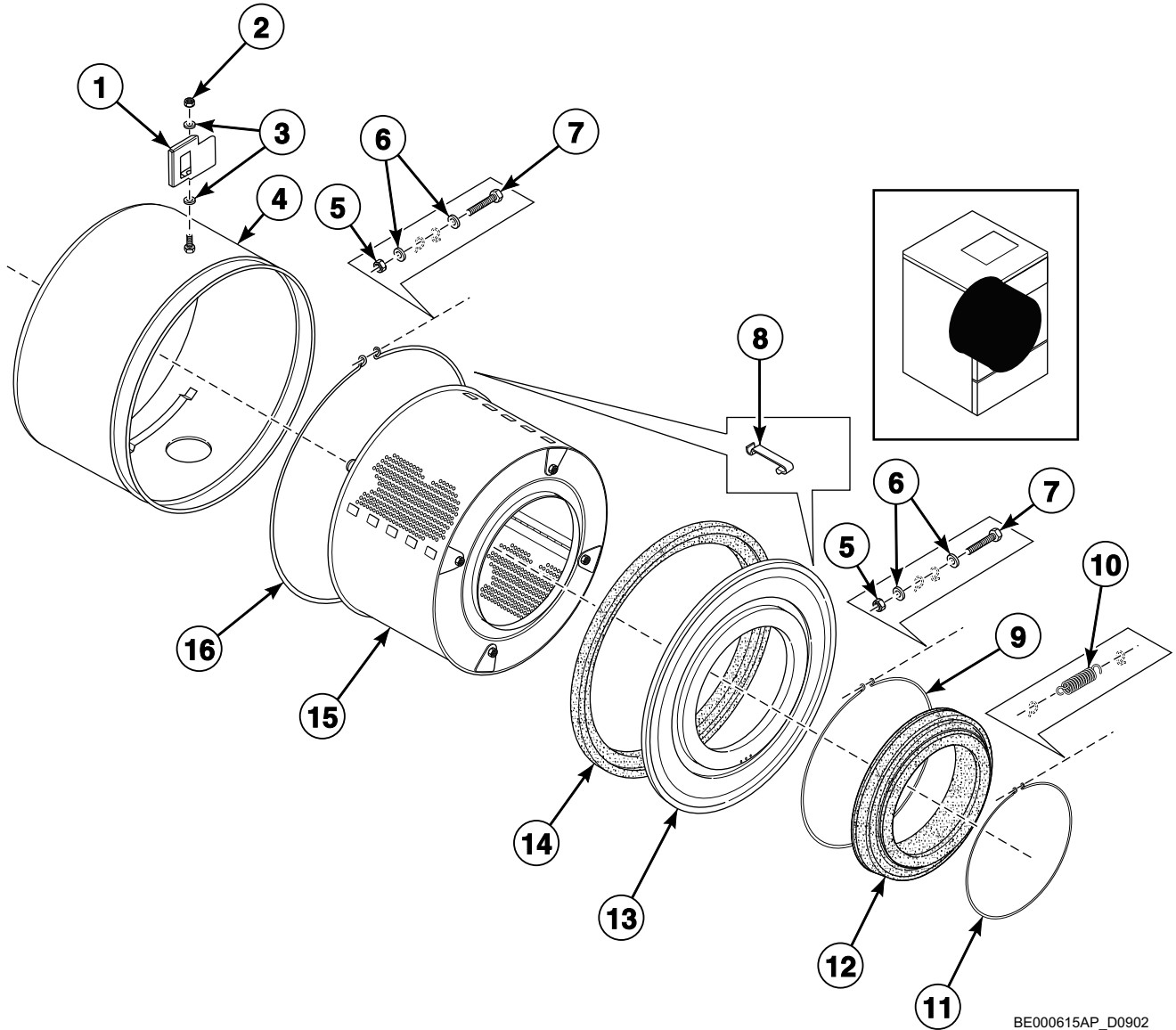
BE000615AP\_D0902

## Shell and Basket (Drawing 3 of 4)

REF	PART NO.	DESCRIPTION	COMMENTS
1	111/01854/00	Tilt Detector Plate	
2	204/00110/00	Nut	
3	201/00010/00	Washer	
4	B12328001	Outer Tub	*65 models; Electric heat
	B12328101	Outer Tub	*65 models; Boiler fed
	B12328301	Outer Tub	*18 and *75 models; Electric heat
	B12328401	Outer Tub	*18 and *75 models; Boiler fed
	117/00202/00	Outer Tub	*25 and *100 models; Electric heat
	B12328701	Outer Tub	*25 and *100 models; Boiler fed
	B12327701	Outer Tub	*12 and *60 models; Electric heat
	B12327801	Outer Tub	*12 and *60 models; Boiler fed
5	204/00009/00	Nut	
6	202/00003/00	Washer	
7	206/00011/00	Bolt	
8	217/00008/00	Tub Front Panel Clip	
9	238/00017/00	Clamp	
10	238/00014/00	Spring	
11	238/00013/00	Fastening Ring	
12	255/00123/00	Boot	
13	118/00054/03	Tub Front Panel	
14	B12351601	Tub Front Gasket	
15	111/01915/00	Cylinder	*12 and *60 models
	B12325701	Drum and Axle	*65 models
	111/01917/00	Cylinder and Shaft Assembly	*18 and *75 models
	B12326101	Drum and Axle	*25 and *100 models
16	217/00007/00	Tub Front Ring Clamp	

# Shell and Basket (Drawing 4 of 4)

Models Starting 6/22/09



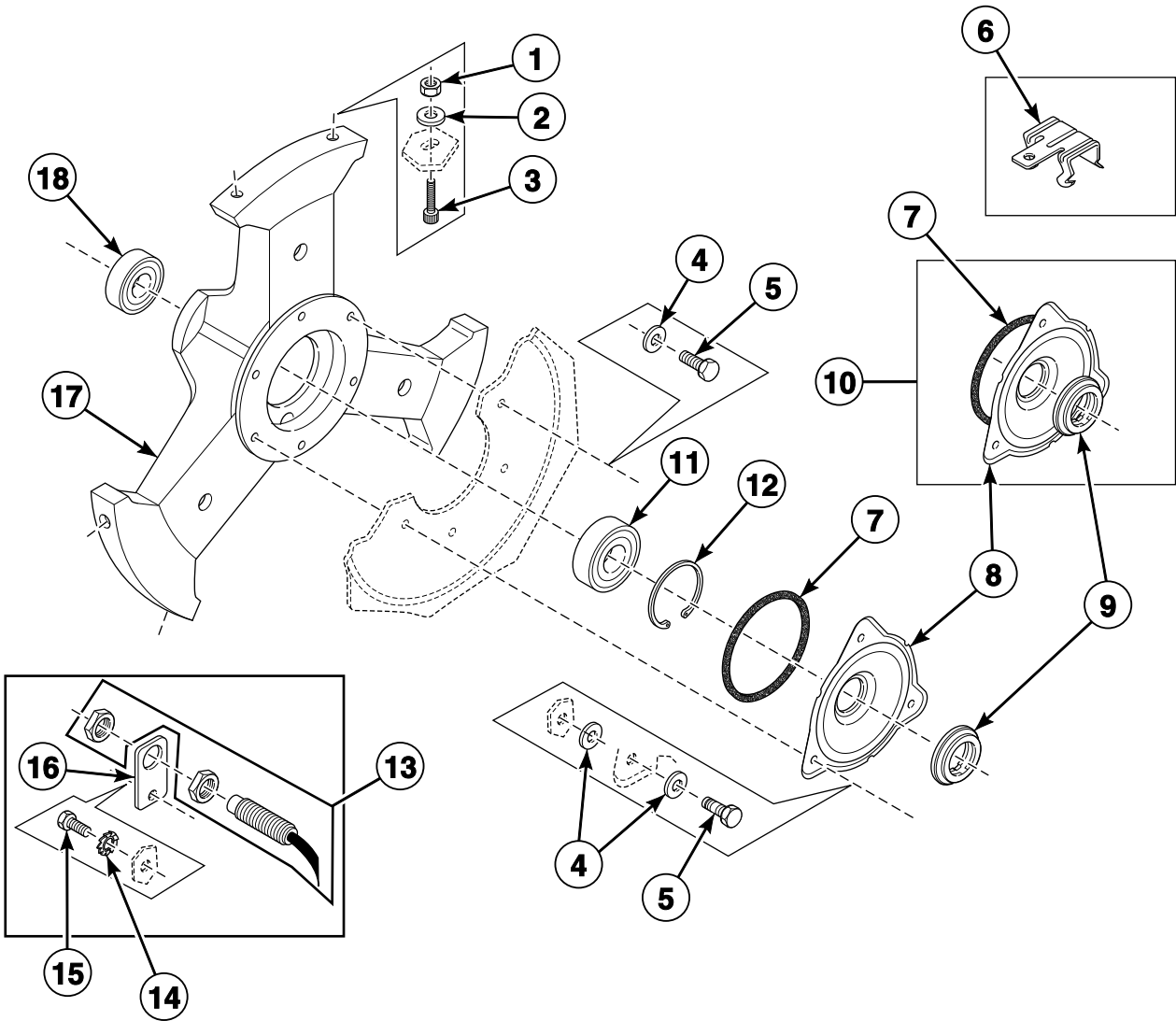
BE000615AP\_D0902

## Shell and Basket (Drawing 4 of 4)

REF	PART NO.	DESCRIPTION	COMMENTS
1	111/01854/00	Tilt Detector Plate	
2	204/00110/00	Nut	
3	201/00010/00	Washer	
4	B12328001	Outer Tub	*65 models; Electric heat
	B12328101	Outer Tub	*65 models; Boiler fed
	B12328301	Outer Tub	*18 and *75 models; Electric heat
	B12328401	Outer Tub	*18 and *75 models; Boiler fed
	B12328601	Outer Tub	*25 and *100 models; Electric heat
	B12328701	Outer Tub	*25 and *100 models; Boiler fed
	B12327701	Outer Tub	*12 and *60 models; Electric heat
	B12327801	Outer Tub	*12 and *60 models; Boiler fed
5	204/00009/00	Nut	
6	201/00007/00	Washer	
7	206/00032/00	Bolt	
8	217/00008/00	Tub Front Panel Clip	
9	238/00017/00	Clamp	
10	238/00014/00	Spring	
11	238/00013/00	Fastening Ring	
12	255/00123/00	Boot	
13	118/00054/03	Tub Front Panel	
14	B12351601	Tub Front Gasket	
15	111/01915/00	Cylinder	*12 and *60 models through 1/30/11
	B12542501	Basket Kit	*12 and *60 models through 1/30/11; Includes B12379401 Cylinder and 3881P Bearing Kit
	B12379401	Cylinder	*12 and *60 models starting 1/31/11
	B12325701	Drum and Axle	*65 models through 1/30/11
	B12542601	Basket Kit	*65 models through 1/30/11; Includes B12379501 Basket and Shaft Assembly and 3881P Bearing Kit
	B12379501	Basket and Shaft Assembly	3 mm; *65 models starting 1/31/11
	B12379601	Basket and Shaft Assembly	9 mm; *65 models starting 1/31/11
	111/01917/00	Cylinder and Shaft Assembly	*18 and *75 models through 1/30/11
	B12542701	Basket Kit	*18 and *75 models through 1/30/11; Includes B12379701 Basket and Shaft Assembly and 3881P Bearing Kit
	B12379701	Basket and Shaft Assembly	3 mm; *18 and *75 models starting 1/31/11
	B12379801	Basket and Shaft Assembly	9 mm; *18 and *75 models starting 1/31/11
	B12326101	Drum and Axle	*25 and *100 models through 1/30/11
	B12542801	Basket Kit	*25 and *100 models through 1/30/11; Includes B12379901 Basket and Shaft Assembly and 3881P Bearing Kit
	B12379901	Basket and Shaft Assembly	3 mm; *25 and *100 models starting 1/31/11
	B12380001	Basket and Shaft Assembly	9 mm; *25 and *100 models starting 1/31/11
16	217/00007/00	Tub Front Ring Clamp	



# Bearing Housing - Models Through 1/30/11

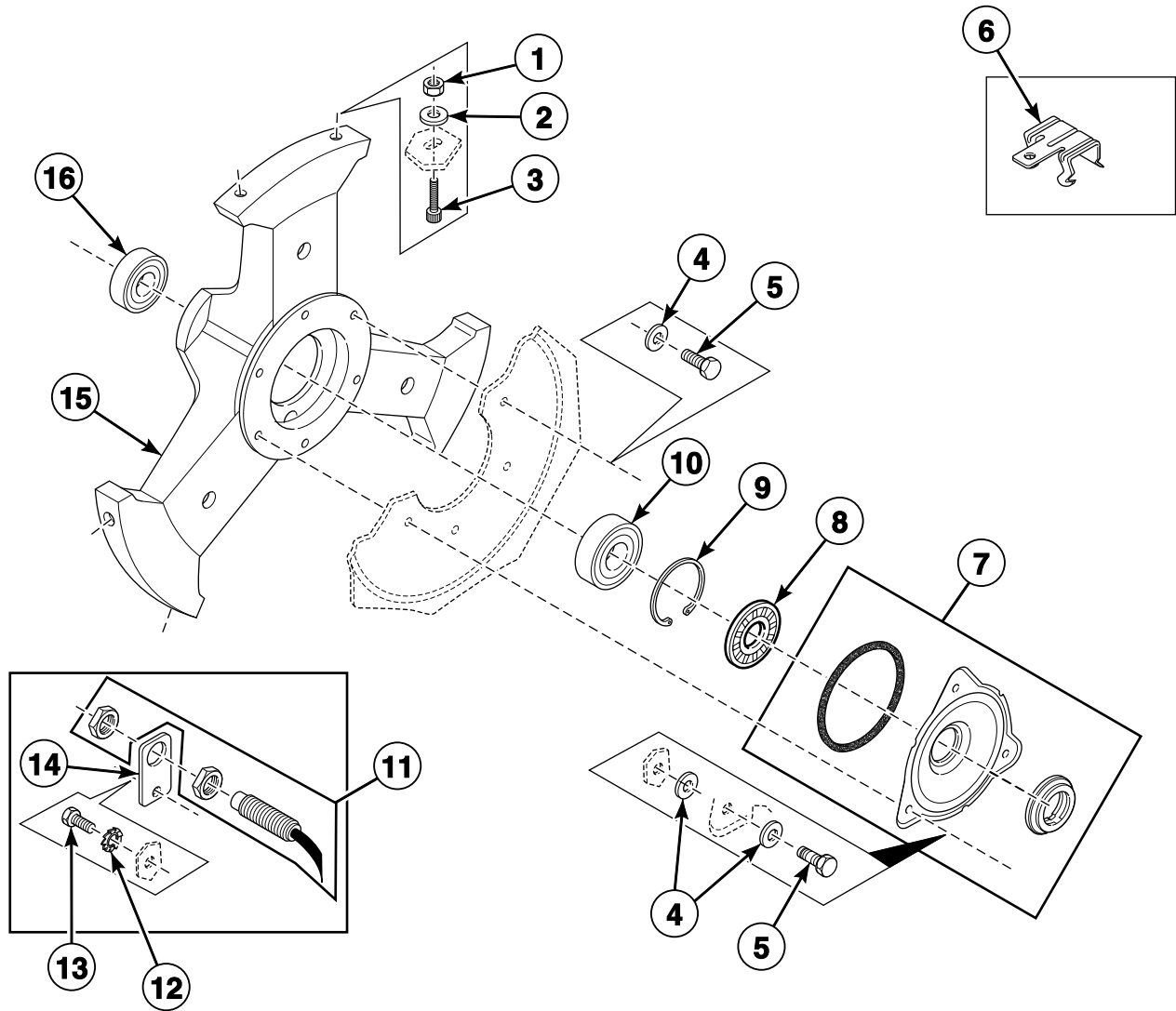


BE000616P\_D0902

## Bearing Housing - Models Through 1/30/11

REF	PART NO.	DESCRIPTION	COMMENTS
	387P4	Bearing Replacement Kit	Includes items 4, 5, 10, 11, 18, 217/00004/00 Counter Ring, 223/00242/10 Tub Gasket and F8382001P Deflector Inlet
	380P3	Bearing Replacement Tool Kit	
1	204/00111/00	Nut	
2	201/00012/00	Washer	
3	206/00053/00	Screw	
4	201/00201/00	Washer	
5	205/00102/00	Bolt	
6	224/00051/00	Caddy Bracket	4H58-4
	224/00052/00	Caddy Bracket	4H912
7	217/00002/00	O-Ring	
8	117/00001/00	Seal Cover	
9	217/00003/00	Shaft Seal	
10	117/00001/01	Shaft Seal Holder	
11	216/00001/02	Ball Bearing	
12	212/00038/00	Retaining Ring	
13	209/00400/00	Speed Detector	
14	203/00004/00	Washer	
15	205/00104/00	Bolt	
16	152/00055/00	Speed Detector Bracket	
17	152/00117/00	Bearing Housing Assembly	
	152/10117/01	Bearing Housing Assembly	Includes items 11 and 18
18	215/00001/03	Ball Bearing	

# Bearing Housing - Models Starting 1/31/11



CFD646P\_D0902

## Bearing Housing - Models Starting 1/31/11

REF	PART NO.	DESCRIPTION	COMMENTS
	380P3	Bearing Replacement Tool Kit	
	3881P	Bearing Kit	Includes items 4, 5, 7, 8, 10, 16, 217/00004/00 Counter Ring, 223/00242/10 Tub Gasket
1	204/00111/00	Nut	
2	201/00012/00	Washer	
3	206/00053/00	Screw	
4	201/00201/00	Washer	
5	205/00102/00	Bolt	
6	224/00051/00	Caddy Bracket	4H58-4
	224/00052/00	Caddy Bracket	4H912
7	B12333601	Seal Plate Assembly	
8	B12332201	Lip Seal	
9	212/00038/00	Retaining Ring	
10	216/00001/02	Ball Bearing	
11	209/00400/00	Speed Detector	
12	203/00004/00	Washer	
13	205/00104/00	Bolt	
14	152/00055/00	Speed Detector Bracket	
15	152/00117/00	Bearing Housing Assembly	
	152/10117/01	Bearing Housing Assembly	Includes items 10 and 16
16	215/00001/03	Ball Bearing	

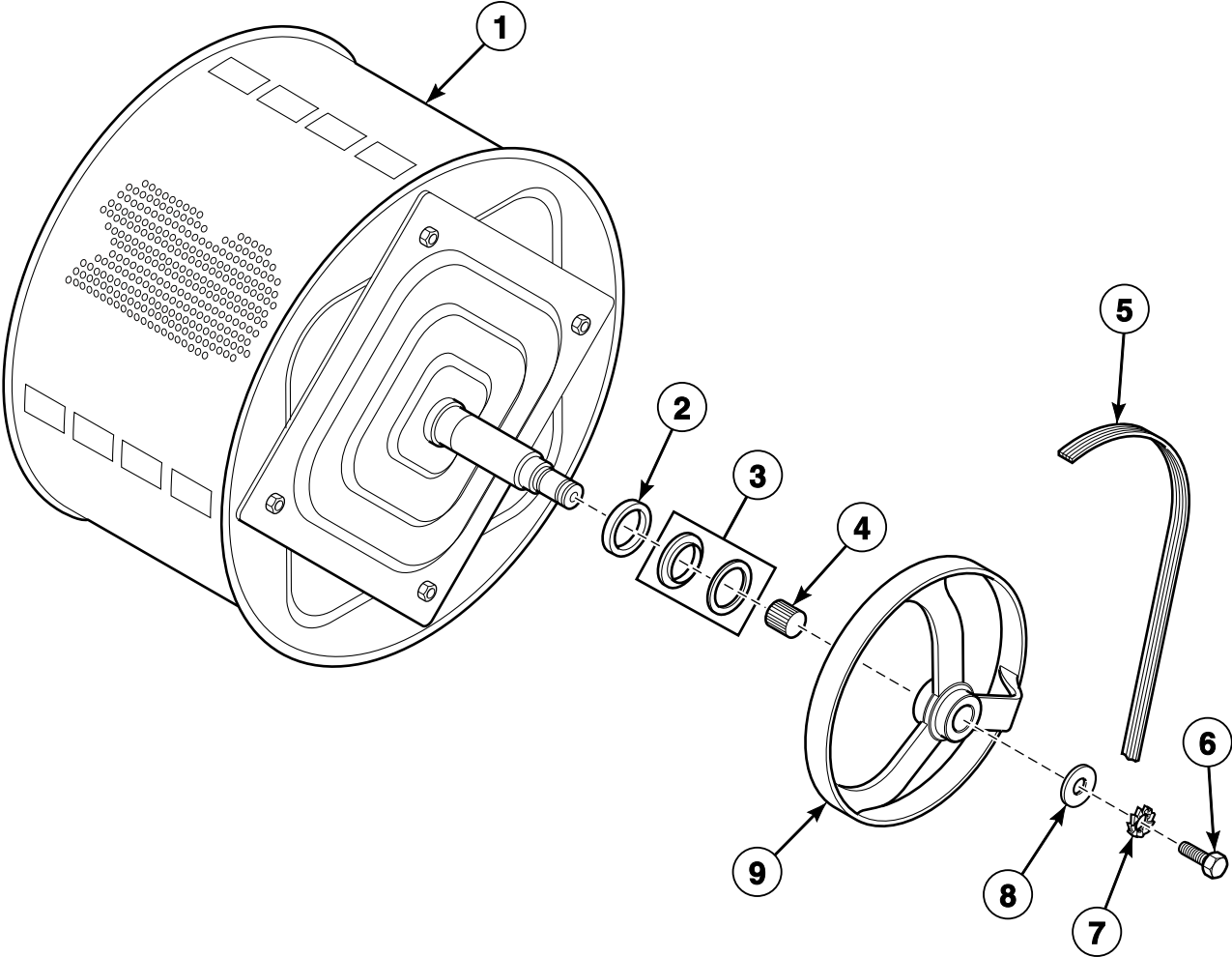
# Basket, Pulley and Belt (Drawing 1 of 2)

\*12 and \*60 Models Through Serial No. 07030H10331

\*65 Models Through Serial No. 07030H20366

\*18 and \*75 Models Through Serial No. 07030H30253

\*25 and \*100 Models Through Serial No. 07030H40276



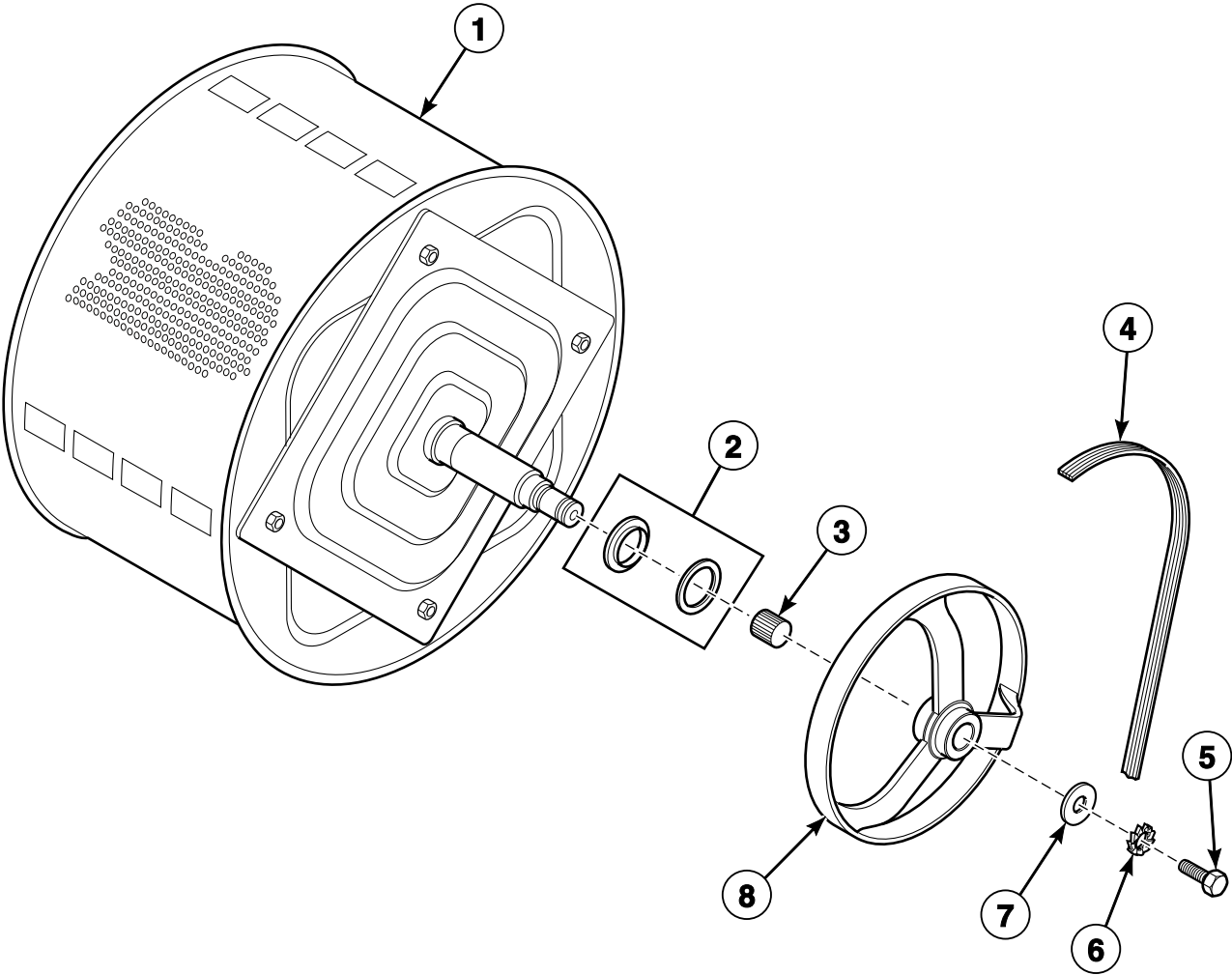
BE000617P\_D0902

## Basket, Pulley and Belt (Drawing 1 of 2)

REF	PART NO.	DESCRIPTION	COMMENTS
1	111/01806/00	Cylinder and Shaft Assembly	*65 models
	111/01807/00	Cylinder and Shaft Assembly	*18 and *75 models
	B12326101	Drum and Axle	*25 and *100 models
	111/01915/00	Cylinder	*12 and *60 models
2	217/00100/00	Bearing Spacer	
3	217/00004/00	Counter Ring	
4	215/00004/00	Tolerance Ring	
5	255/00013/00	Belt	
6	206/00005/00	Bolt	
7	203/00002/00	Washer	
8	201/00015/00	Washer	
9	255/00117/00	Pulley	

# Basket, Pulley and Belt (Drawing 2 of 2)

\*12 and \*60 Models Starting Serial No. 07030H10332  
\*65 Models Starting Serial No. 07030H20367  
\*18 and \*75 Models Starting Serial No. 07030H30254  
\*25 and \*100 Models Starting Serial No. 07030H40277



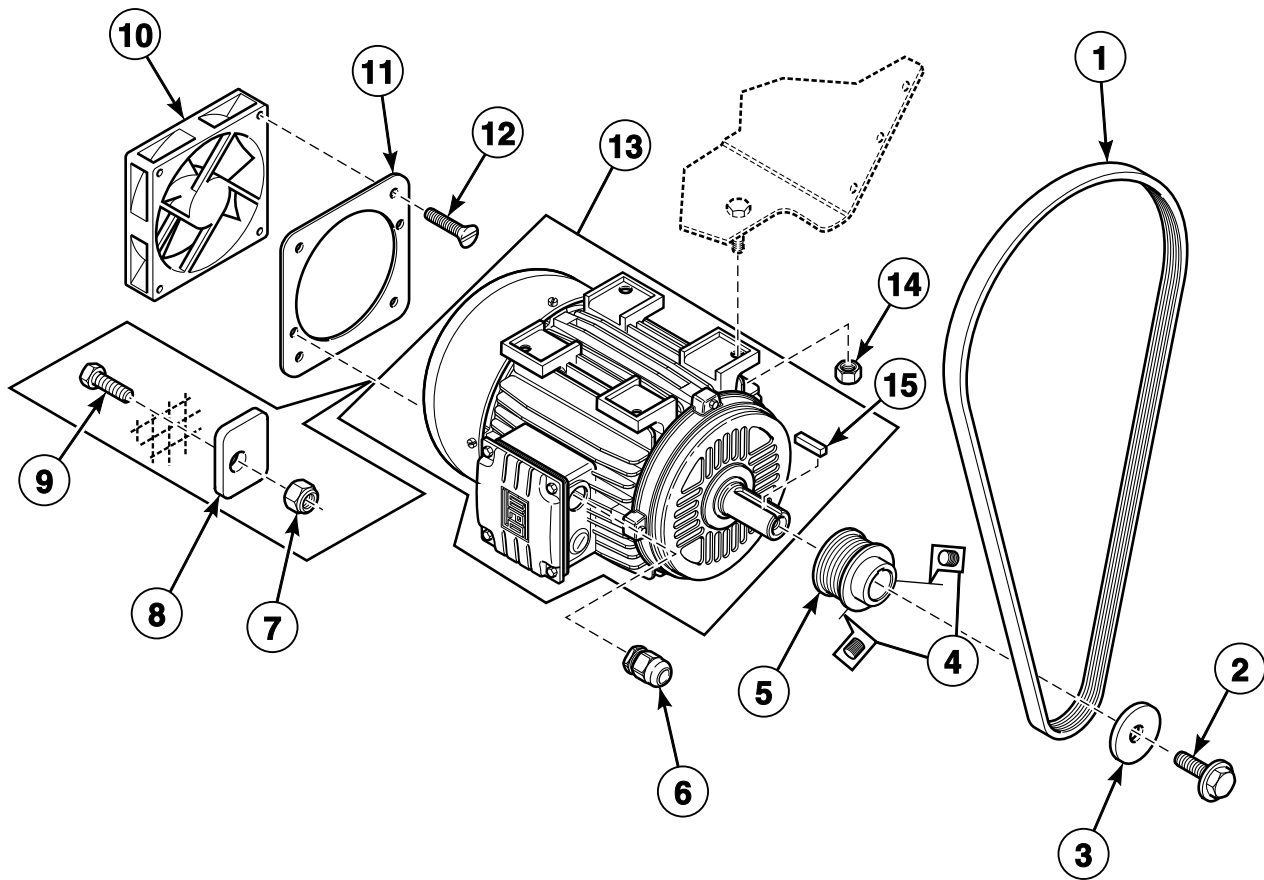
BE000839P\_D0902

## Basket, Pulley and Belt (Drawing 2 of 2)

REF	PART NO.	DESCRIPTION	COMMENTS
1	111/01915/00	Cylinder	*12 and *60 models through 1/30/11
	B12542501	Basket Kit	*12 and *60 models through 1/30/11; Includes B12379401 Cylinder and 3881P Bearing Kit
	B12379401	Cylinder	*12 and *60 models starting 1/31/11
	B12325701	Drum and Axle	*65 models through 1/30/11
	B12542601	Basket Kit	*65 models through 1/30/11; Includes B12379501 Basket and Shaft Assembly and 3881P Bearing Kit
	B12379501	Basket and Shaft Assembly	*65 models starting 1/31/11; 3 mm
	B12379601	Basket and Shaft Assembly	*65 models starting 1/31/11; 9 mm
	111/01917/00	Cylinder and Shaft Assembly	*18 and *75 models through 1/30/11
	B12542701	Basket Kit	*18 and *75 models through 1/30/11; Includes B12379701 Basket and Shaft Assembly and 3881P Bearing Kit
	B12379701	Basket and Shaft Assembly	*18 and *75 models starting 1/31/11; 3 mm
	B12379801	Basket and Shaft Assembly	*18 and *75 models starting 1/31/11; 9 mm
	B12326101	Drum and Axle	*25 and *100 models through 1/30/11
	B12542801	Basket Kit	*25 and *100 models through 1/30/11; Includes B12379901 Basket and Shaft Assembly and 3881P Bearing Kit
	B12379901	Basket and Shaft Assembly	*25 and *100 models starting 1/31/11; 3 mm
	B12380001	Basket and Shaft Assembly	*25 and *100 models starting 1/31/11; 9 mm
	2	217/00004/00	Counter Ring
3	215/00004/00	Tolerance Ring	
4	255/00013/00	Belt	
5	206/00005/00	Bolt	
6	203/00002/00	Washer	
7	201/00015/00	Washer	
8	255/00117/00	Pulley	



# Motor and Belt

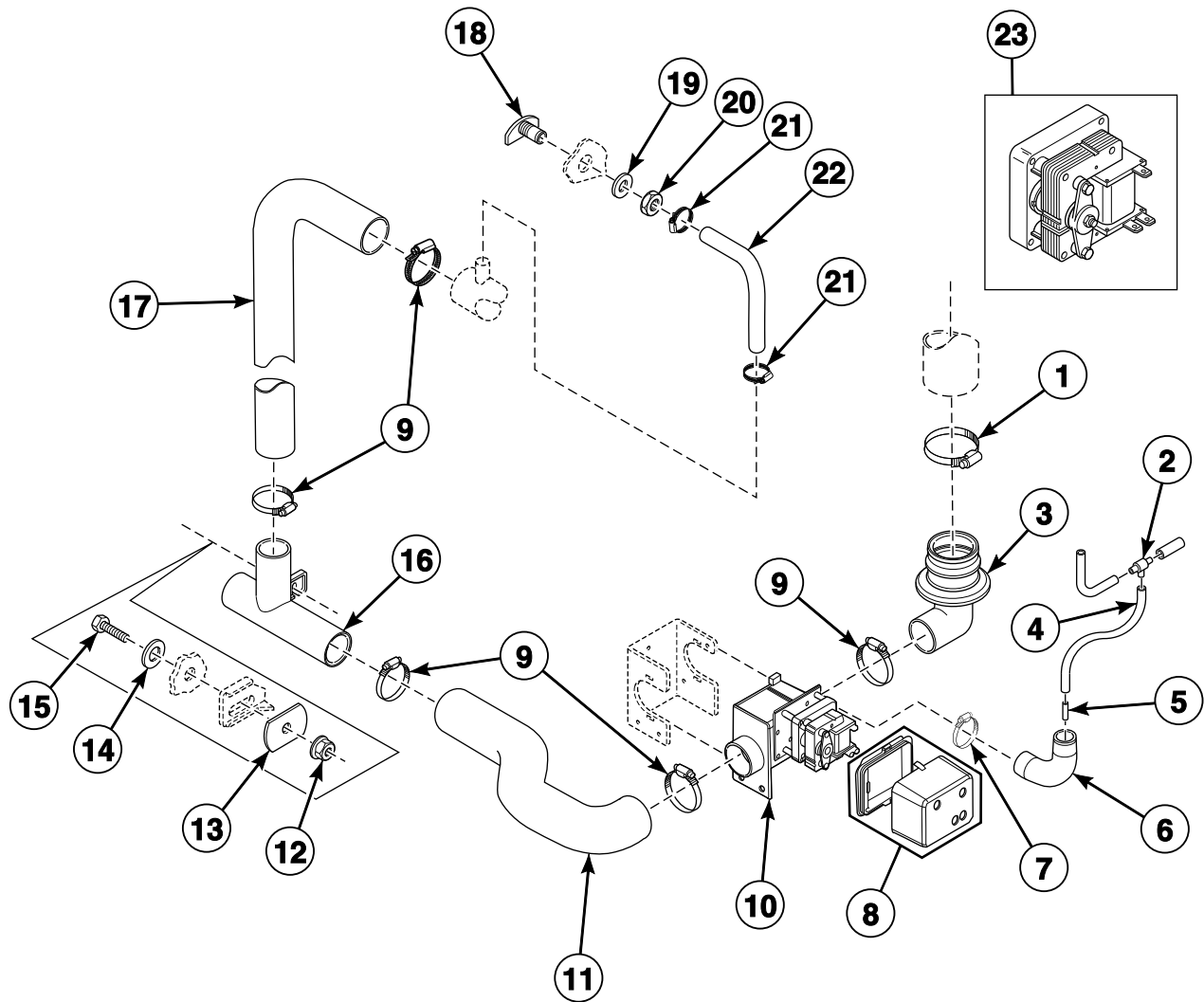


BE000618AP\_D0902

# Motor and Belt

REF	PART NO.	DESCRIPTION	COMMENTS
1	255/00013/00	Belt	
2	206/00099/00	Bolt	
3	201/00006/00	Washer	
4	206/00058/00	Screw	
5	255/00012/00	Motor Pulley	
6	211/00167/00	Cordlock	
7	204/00115/00	Nut	
8	117/00042/00	Retaining Ring	
9	206/00054/00	Bolt	
10	209/00465/00	Fan	
11	152/00044/03	Fan Plate Assembly	
12	207/00117/00	Screw	
13	B12510501	Motor	.75 kW
	255/00014/00	Motor	.55 kW
14	204/00109/00	Nut	
15	227/00126/01	Motor Key	

# Drain Plumbing - Single Outlet Drain Piece with Water Level Detection on Drain Valve-Models Through 8/11/10

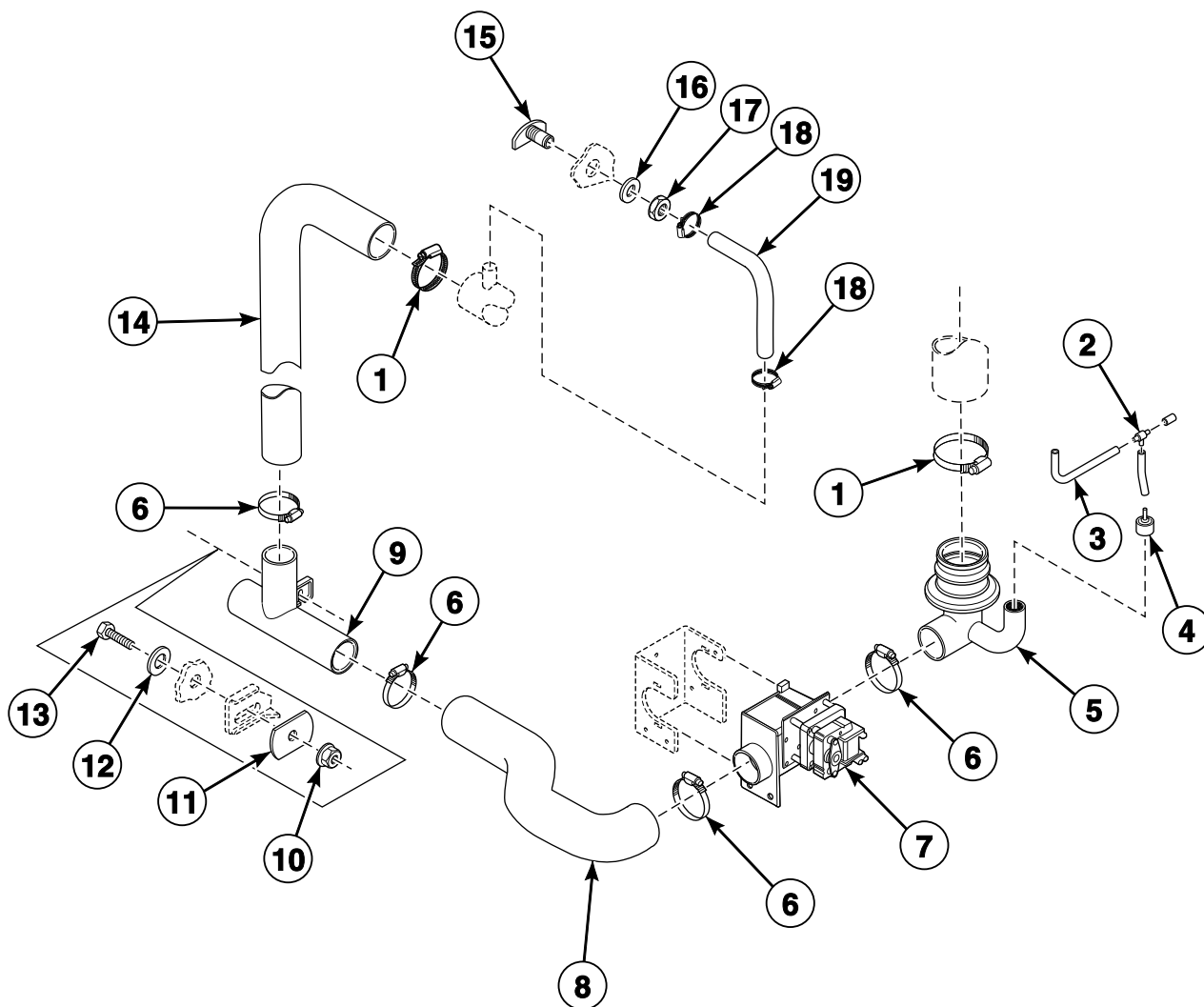


BE000619CP\_D0902

## Drain Plumbing - Single Outlet Drain Piece with Water Level Detection on Drain Valve-Models Through 8/11/10

REF	PART NO.	DESCRIPTION	COMMENTS
1	223/00014/00	Hose Clamp	
2	223/00173/10	Pressure Switch Hose Tee	
3	223/00316/00	Trap	
4	223/00333/00	Pressure Hose	
5	223/00016/00	Hose Barb	
6	223/00210/00	Pressure Switch Elbow	
7	223/00011/00	Hose Clamp	
8	209/00643/01	Drain Valve Coil Cover	
9	223/00013/00	Hose Clamp	
10	209/00643/00	Drain Valve	
11	223/00190/00	Drain Valve Hose	*12, *18, *60, *65 and *75 models
	223/00303/00	Drain Valve Hose	*25 and *100 models
12	206/00101/00	Nut	
13	101/00007/00	Outlet Pipe Plate Assembly	
14	201/00007/00	Washer	
15	206/00033/00	Bolt	
16	223/00146/00	Drain Piece	
17	223/00150/00	Overflow Hose	*12, *18, *60, *65 and *75 models
	223/00100/00	Overflow Hose	*25 and *100 models
18	223/00001/04	Prewash and Mainwash Nozzle	
19	201/00002/00	Washer	
20	204/00201/00	Nut	
21	F200205	Hose Clamp	
22	223/00044/00	Water Hose	
23	209/00643/11	Motor	

# Drain Plumbing - Single Outlet Drain Piece with Water Level Detection on Drain Hose-Models Starting 8/12/10

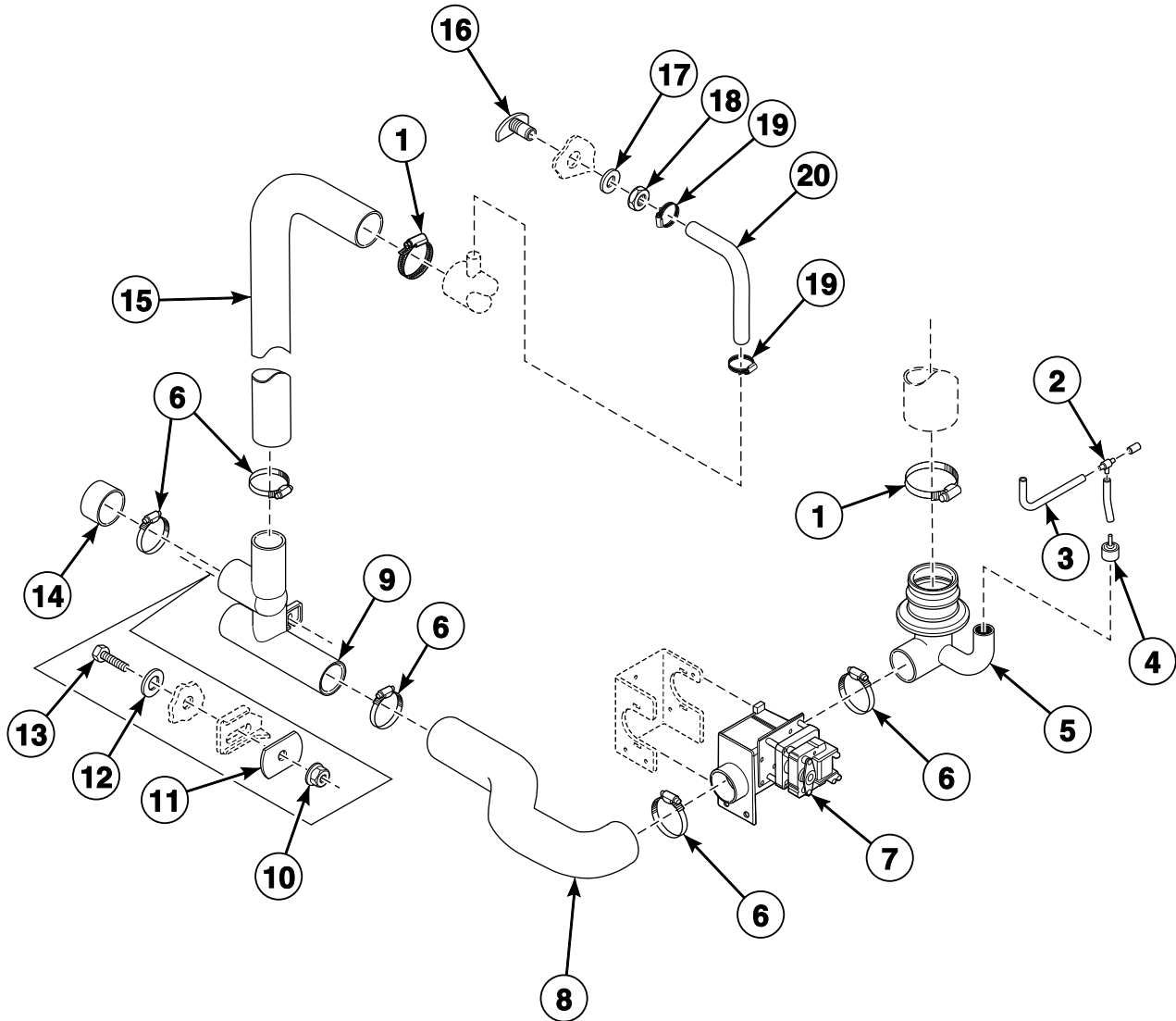


BE000619P\_D0902

## Drain Plumbing - Single Outlet Drain Piece with Water Level Detection on Drain Hose-Models Starting 8/12/10

REF	PART NO.	DESCRIPTION	COMMENTS
1	223/00014/00	Hose Clamp	
2	223/00173/10	Pressure Switch Hose Tee	
3	223/00333/00	Pressure Hose	
4	223/00035/02	Pressure Switch Cap	
5	255/00010/00	Tub to Drain Valve Hose	
6	223/00013/00	Hose Clamp	
7	209/00463/00	Drain Valve	
8	223/00190/00	Drain Valve Hose	*12, *18, *60, *65 and *75 models
	223/00303/00	Drain Valve Hose	*25 and *100 models
9	223/00146/00	Drain Piece	
10	206/00101/00	Nut	
11	101/00007/00	Outlet Pipe Plate Assembly	
12	201/00007/00	Washer	
13	206/00033/00	Bolt	
14	223/00150/00	Overflow Hose	
15	223/00001/04	Prewash and Mainwash Nozzle	
16	201/00002/00	Washer	
17	204/00201/00	Nut	
18	F200205	Hose Clamp	
19	223/00044/01	Water Hose	

# Drain Plumbing - Dual Outlet Drain Piece with Water Level Detection on Drain Hose



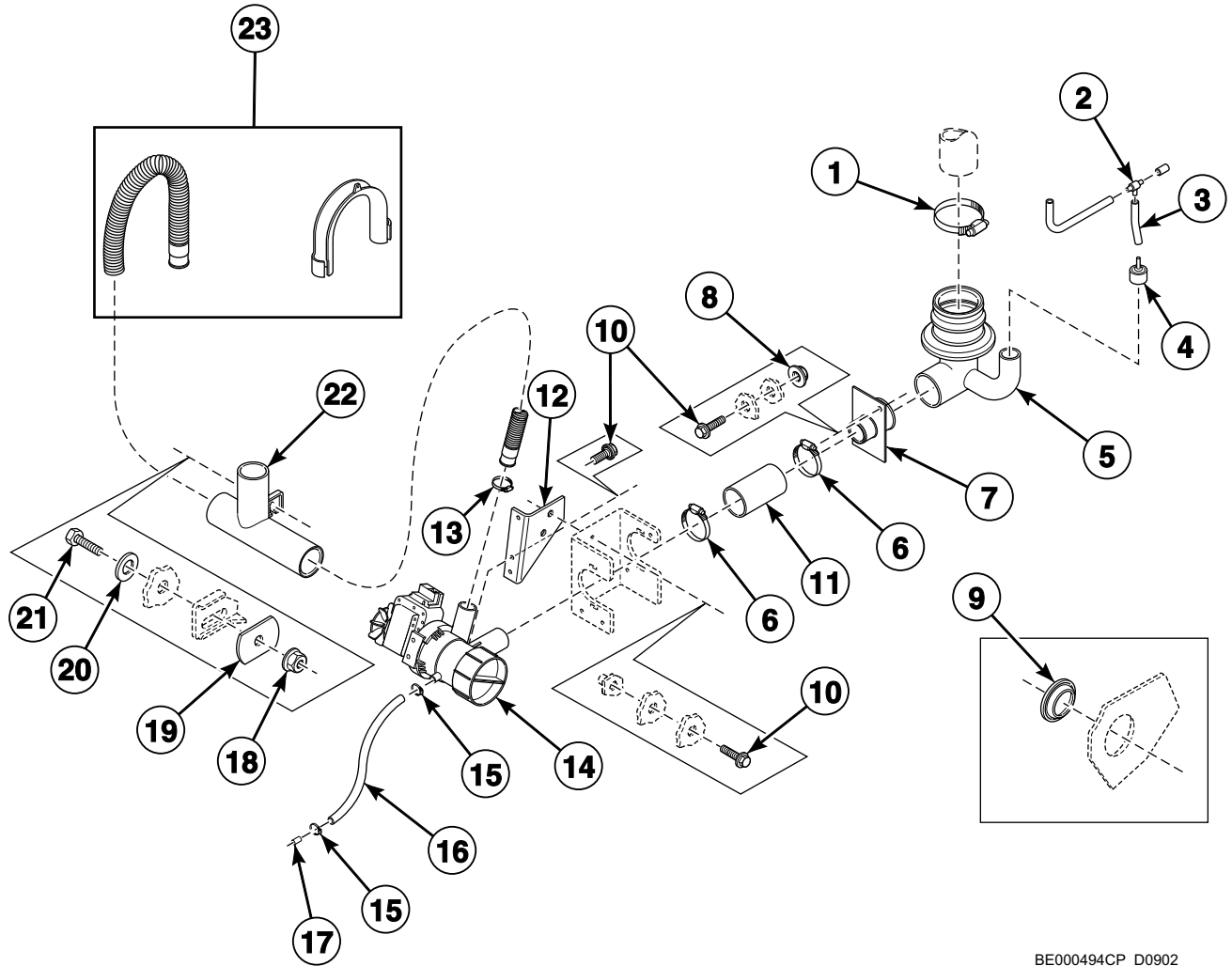
BE000619AP\_D0902

## Drain Plumbing - Dual Outlet Drain Piece with Water Level Detection on Drain Hose

REF	PART NO.	DESCRIPTION	COMMENTS
1	223/00014/00	Hose Clamp	
2	223/00173/10	Pressure Switch Hose Tee	
3	223/00333/00	Pressure Hose	
4	223/00035/02	Pressure Switch Cap	
5	255/00010/00	Tub to Drain Valve Hose	
6	223/00013/00	Hose Clamp	
7	209/00463/00	Drain Valve	
8	223/00190/00	Drain Valve Hose	*12, *18, *60, *65 and *75 models
	223/00303/00	Drain Valve Hose	*25 and *100 models
9	223/00297/00	Drain Pipe	
10	206/00101/00	Nut	
11	101/00007/00	Outlet Pipe Plate Assembly	
12	201/00007/00	Washer	
13	206/00033/00	Bolt	
14	223/00294/00	Drain Pipe Cap	
15	223/00150/00	Overflow Hose	
16	223/00001/04	Prewash and Mainwash Nozzle	
17	201/00002/00	Washer	
18	204/00201/00	Nut	
19	F200205	Hose Clamp	
20	223/00044/01	Water Hose	



# Drain Plumbing - Models with Pump Drain Through 1/26/05

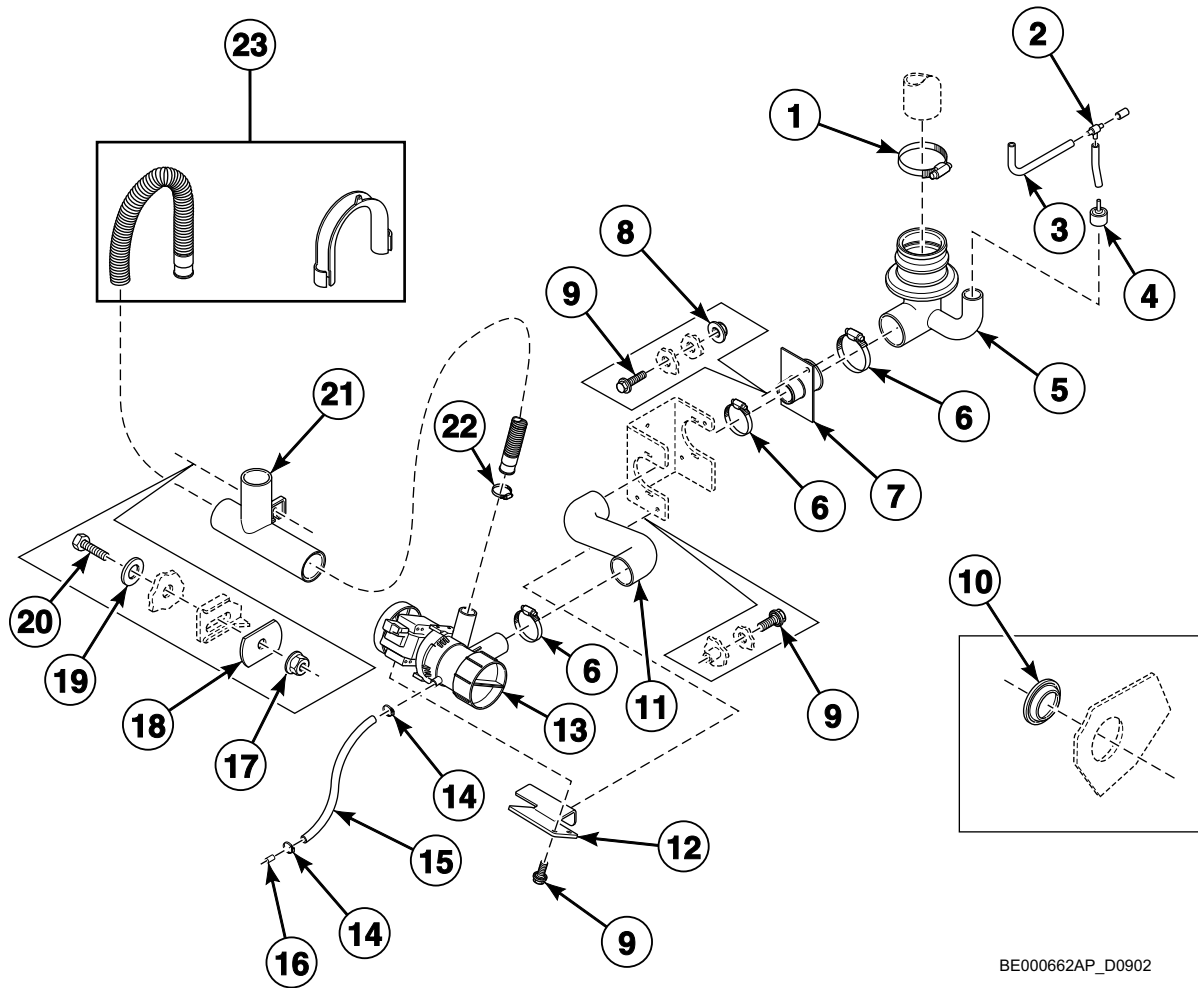


BE000494CP\_D0902

## Drain Plumbing - Models with Pump Drain Through 1/26/05

REF	PART NO.	DESCRIPTION	COMMENTS
1	223/00014/00	Hose Clamp	
2	223/00173/10	Pressure Switch Hose Tee	
3	223/00333/00	Pressure Hose	
4	223/00035/02	Pressure Switch Cap	
5	255/00010/01	Tub to Drain Valve Hose	
6	223/00012/00	Hose Clamp	
7	155/00155/00	Drain Piece	
8	206/00105/00	Nut	
9	255/00019/00	Stopper	
10	206/00099/00	Bolt	
11	255/00017/00	Connecting Piece	
12	155/00159/00	Pump Support	
13	223/00011/00	Hose Clamp	
14	209/00560/00	Hanging Drain Pump	
15	223/00009/00	Clamp	
16	223/00159/00	Pipe	
17	223/00162/00	Stopper	
18	209/00101/00	Nut	
19	101/00007/00	Outlet Pipe Plate Assembly	
20	201/00007/00	Washer	
21	206/00033/00	Bolt	
22	223/00146/00	Drain Piece	
23	899P3	Drain Pipe Kit	

# Drain Plumbing - Models with Pump Drain Starting 1/27/05

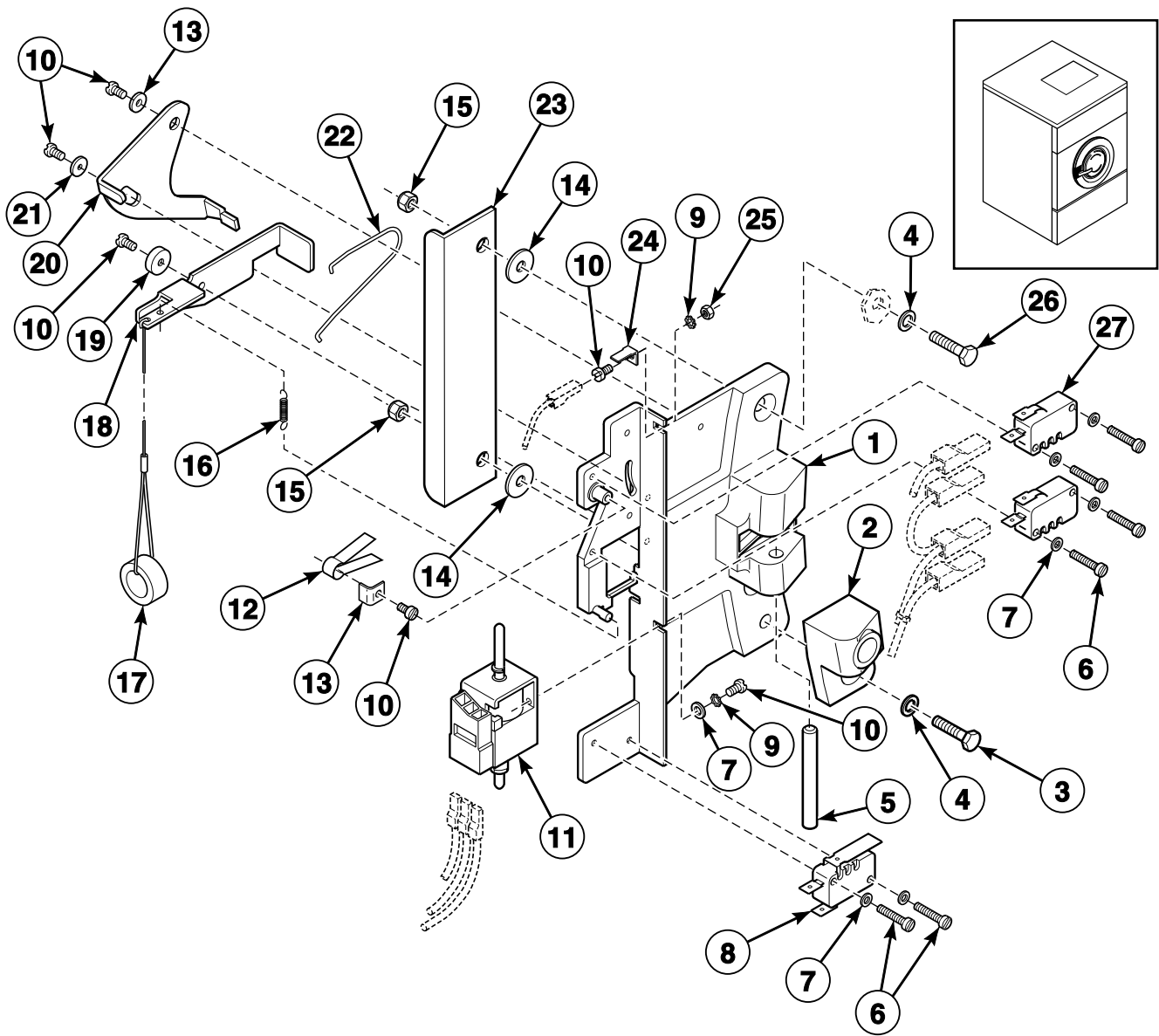


BE000662AP\_D0902

## Drain Plumbing - Models with Pump Drain Starting 1/27/05

REF	PART NO.	DESCRIPTION	COMMENTS
1	223/00014/00	Hose Clamp	
2	223/00173/10	Pressure Switch Hose Tee	
3	223/00333/00	Pressure Hose	
4	223/00035/02	Pressure Switch Cap	
5	255/00010/00	Tub to Drain Valve Hose	
6	223/00012/00	Hose Clamp	
7	155/00155/00	Drain Piece	
8	206/00105/00	Nut	
9	206/00099/00	Bolt	
10	255/00019/00	Stopper	
11	223/00307/00	Drain Hose	
12	111/00288/10	Pump Support	
13	209/00646/00	Pump	50 Hertz
	209/00647/00	Pump	60 Hertz
14	223/00009/00	Clamp	
15	223/00159/00	Pipe	
16	223/00162/00	Stopper	
17	206/00101/00	Nut	
18	101/00007/00	Outlet Pipe Plate Assembly	
19	201/00007/00	Washer	
20	206/00033/00	Bolt	
21	223/00146/00	Drain Piece	
22	223/00011/00	Hose Clamp	
23	899P3	Drain Pipe Kit	

# Door Lock

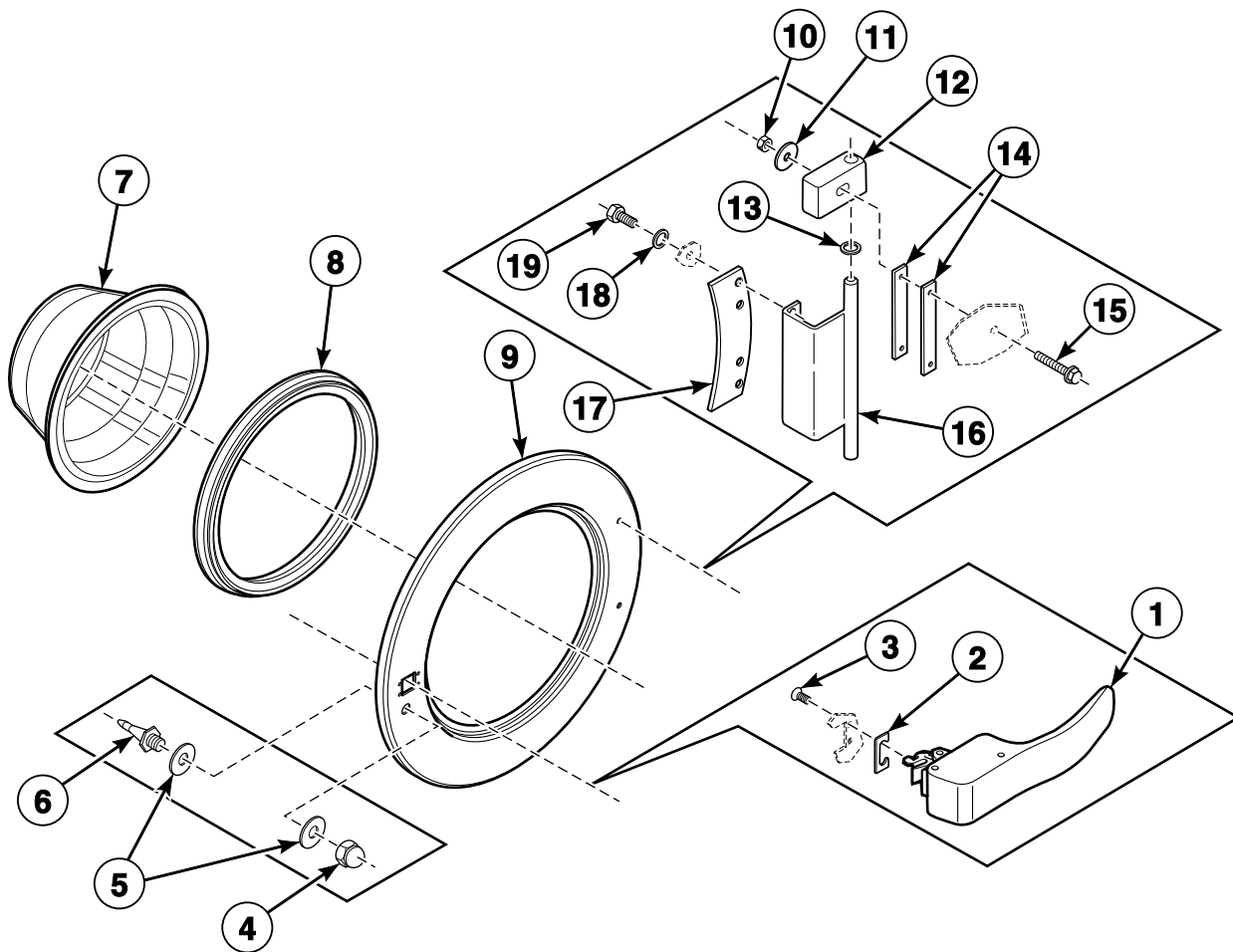


BE000112BP\_D0902

# Door Lock

REF	PART NO.	DESCRIPTION	COMMENTS
1	217/00052/01A	Door Lock Assembly	
	217/00052/00A	Door Lock Assembly	
2	217/00052/11	Door Lock Bracket	
3	205/00115/00	Bolt	
4	202/00101/00	Washer	
5	217/00017/03	Lock Shaft	
6	207/00009/00	Screw	
7	201/00018/00	Washer	
8	209/00273/00	Light Microswitch	
9	203/00007/00	Washer	
10	207/00135/00	Screw	
11	B12495102	Door Solenoid Assembly	
12	224/00049/00	Door Lock Spring	
13	201/00017/00	Washer	
14	201/00006/00	Washer	
15	204/00009/00	Nut	
16	224/00043/00	Interlock Coil Spring	
17	224/00015/00	Door Latch Cord	
18	217/00052/04	Interlock Lever	
19	217/00052/03	Door Lock Spacer	
20	217/00052/05	Switch Lever	
21	202/00124/00	Washer	
22	224/00040/00	Lever Spring	
23	117/00052/08	Lock Protection Plate	
24	210/10015/00	Ground Terminal	
25	204/00008/00	Nut	
26	205/00103/00	Bolt	
27	209/00272/00	Door Lock Microswitch	

# Door



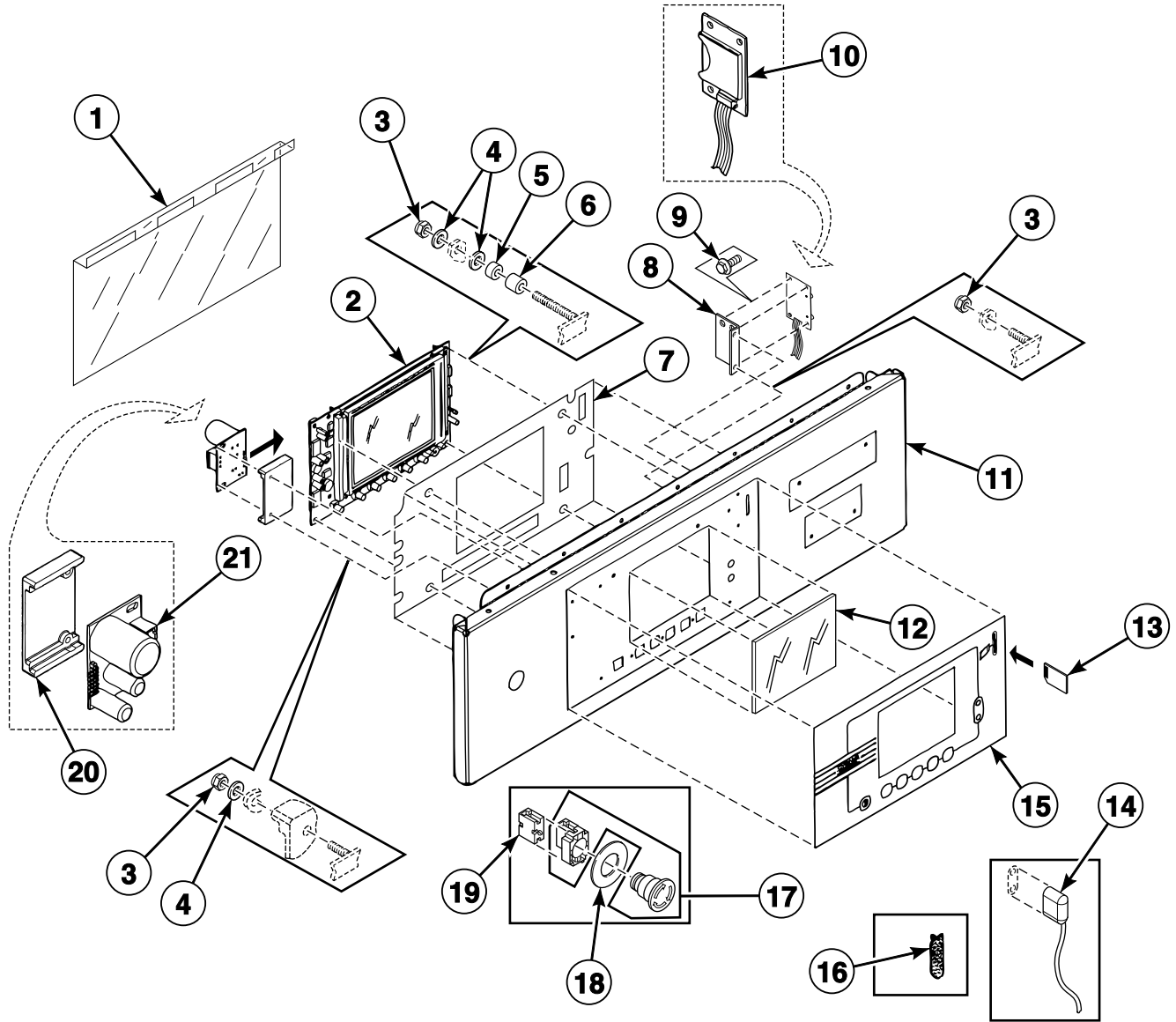
BE000033DP\_D0902

# Door

REF	PART NO.	DESCRIPTION	COMMENTS
1	217/00059/00	Door Handle	HC and IHC models; Black
	217/00065/00	Door Handle	CHC and HC models; Gray
2	217/00016/00	Door Handle Stop	
3	B12500801	Screw	
4	204/00103/00	Nut	
5	202/00111/00	Washer	
6	211/00109/02	Door Lock Pin Kit	
7	217/00023/00	Door Glass	
8	217/00015/00	Door Glass Seal	
9	118/00046/10	Door Frame	
10	204/00106/00	Nut	
11	202/00108/00	Washer	
12	217/00009/02	Door Hinge Assembly	
13	202/00104/00	Washer	
14	117/00010/00	Door Hinge Spacer	
15	207/00126/00	Screw	M6 x 35
	207/00125/00	Bolt	M6 x 25
16	221/00005/00	Door Hinge	
17	118/00065/00	Door Hinge Plate Assembly	
18	202/00101/00	Washer	
19	205/00107/00	Bolt	



# Control Panel - Cygnus Professional

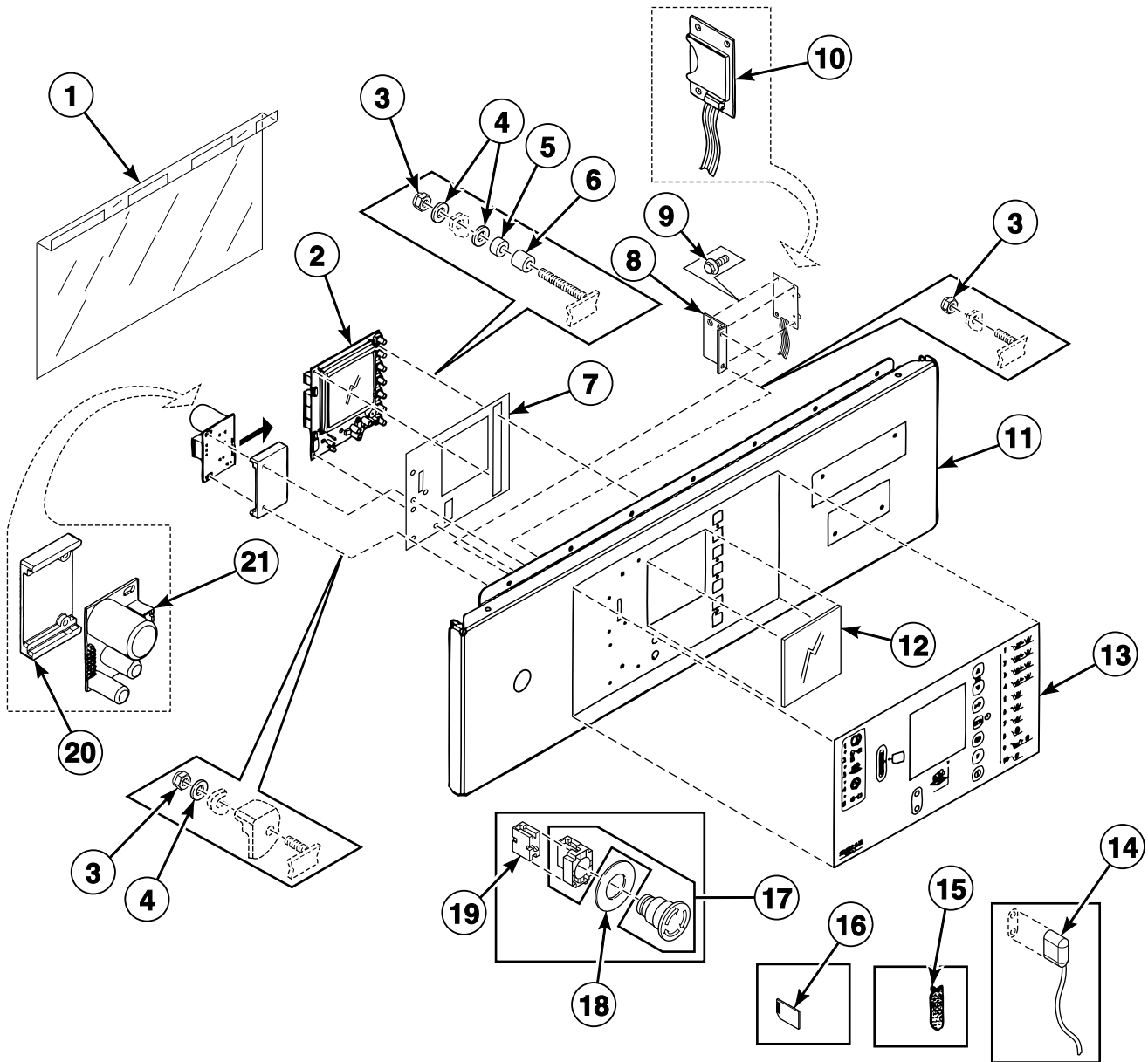


BE000804CP\_D0902

## Control Panel - Cygnus Professional

REF	PART NO.	DESCRIPTION	COMMENTS
1	229/00289/00	Circuit Board Cover	
2	209/02002/00	Display PC-Board	
3	204/00116/00	Nut	
4	223/00123/00	Washer	
5	211/00128/00	Printboard Separator	
6	211/00122/00	Standoff	
7	229/00268/00	Insulating Sticker	
8	111/01893/00	Printboard Support Card	
9	211/00145/00	Standoff	
10	B12305201	Memory Card PC-Board	Models prior to 4/5/11 require a firmware upgrade
	B12538301	Data Card Ribbon Assembly	
11	111/01845/00	Upper Front Panel	
12	225/00321/00	Plexi Frame	
13	209/02022/00	Datacard	
14	210/00902/00	Infrared Cable	
15	225/10313/00	Operating Sticker	Without DataFlash card opening
	225/10426/00	Operating Sticker	With DataFlash card opening
16	223/00348/00	Datacard Cover	
17	209/00099/20	Emergency Switch Pushbutton	
18	209/00520/00	Telem Sticker	
19	209/00099/26	Contact Switch	
20	223/00374/00	Mounting Plate	
21	209/02010/00	Door Lock PC-Board	

# Control Panel - Cygnus Premium OPL

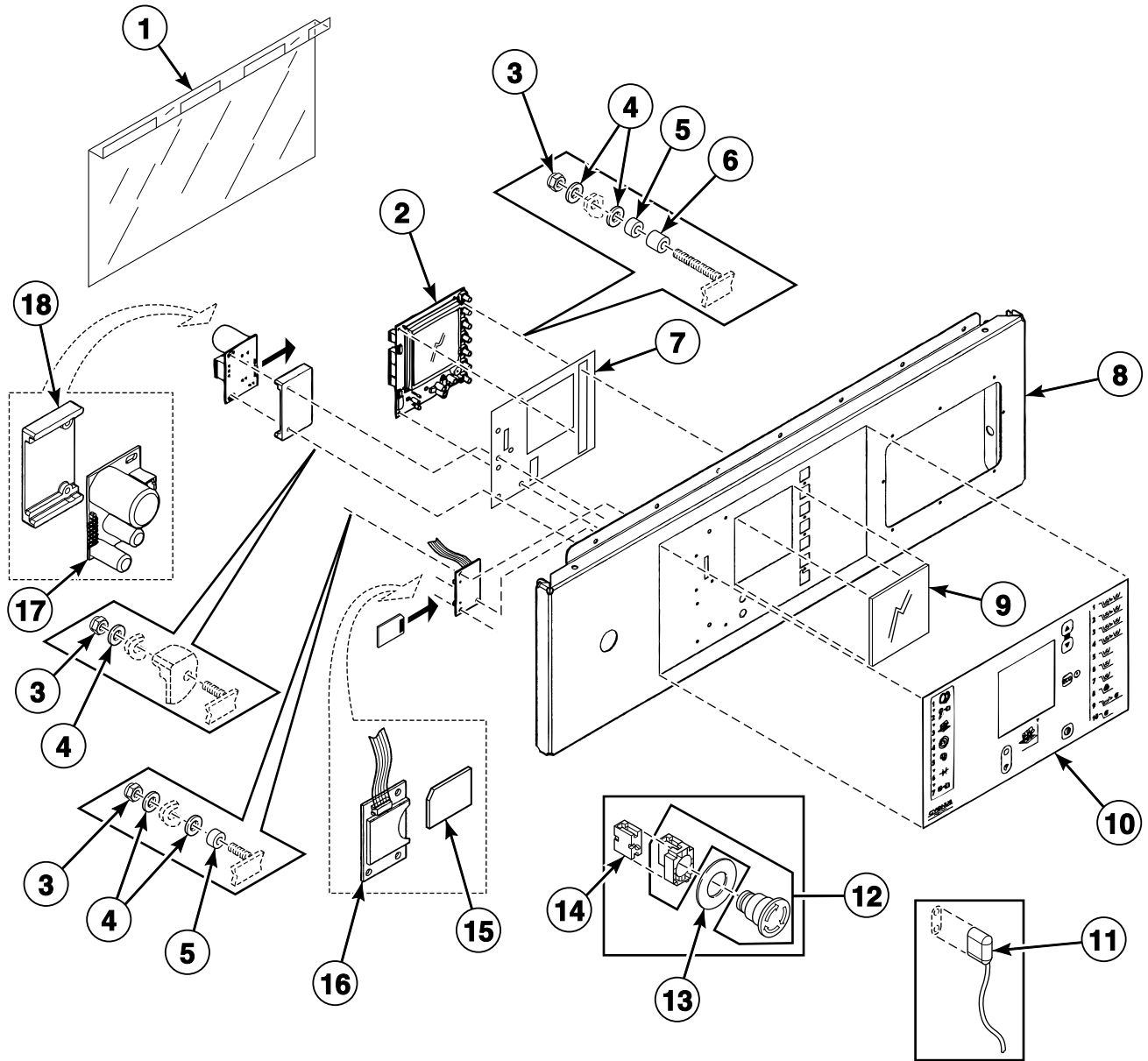


BE000871AP\_D0902

## Control Panel - Cygnus Premium OPL

REF	PART NO.	DESCRIPTION	COMMENTS
1	229/00289/00	Circuit Board Cover	
2	209/02015/02	Printboard	
3	204/00116/00	Nut	
4	223/00123/00	Washer	
5	211/00128/00	Printboard Separator	
6	211/00122/00	Standoff	
7	229/00291/00	Insulating Sticker	
8	111/01893/00	Printboard Support Card	
9	211/00145/00	Standoff	
10	B12305201	Memory Card PC-Board	Models prior to 4/5/11 require a firmware upgrade
	B12538301	Data Card Ribbon Assembly	
11	111/01900/00	Operating Panel	
12	225/00323/00	Plexi Frame	
13	225/10404/00	Operating Sticker	With DataFlash card opening
	225/10427/00	Operating Sticker	Without DataFlash card opening
14	210/00902/00	Infrared Cable	
15	223/00348/00	Datacard Cover	
16	209/02022/00	Datacard	
17	209/00099/20	Emergency Switch Pushbutton	
18	209/00520/00	Telem Sticker	
19	209/00099/26	Contact Switch	
20	223/00374/00	Mounting Plate	
21	209/02010/00	Door Lock PC-Board	

# Control Panel - Cygnus Premium OPL with Frontal Supply Dispenser

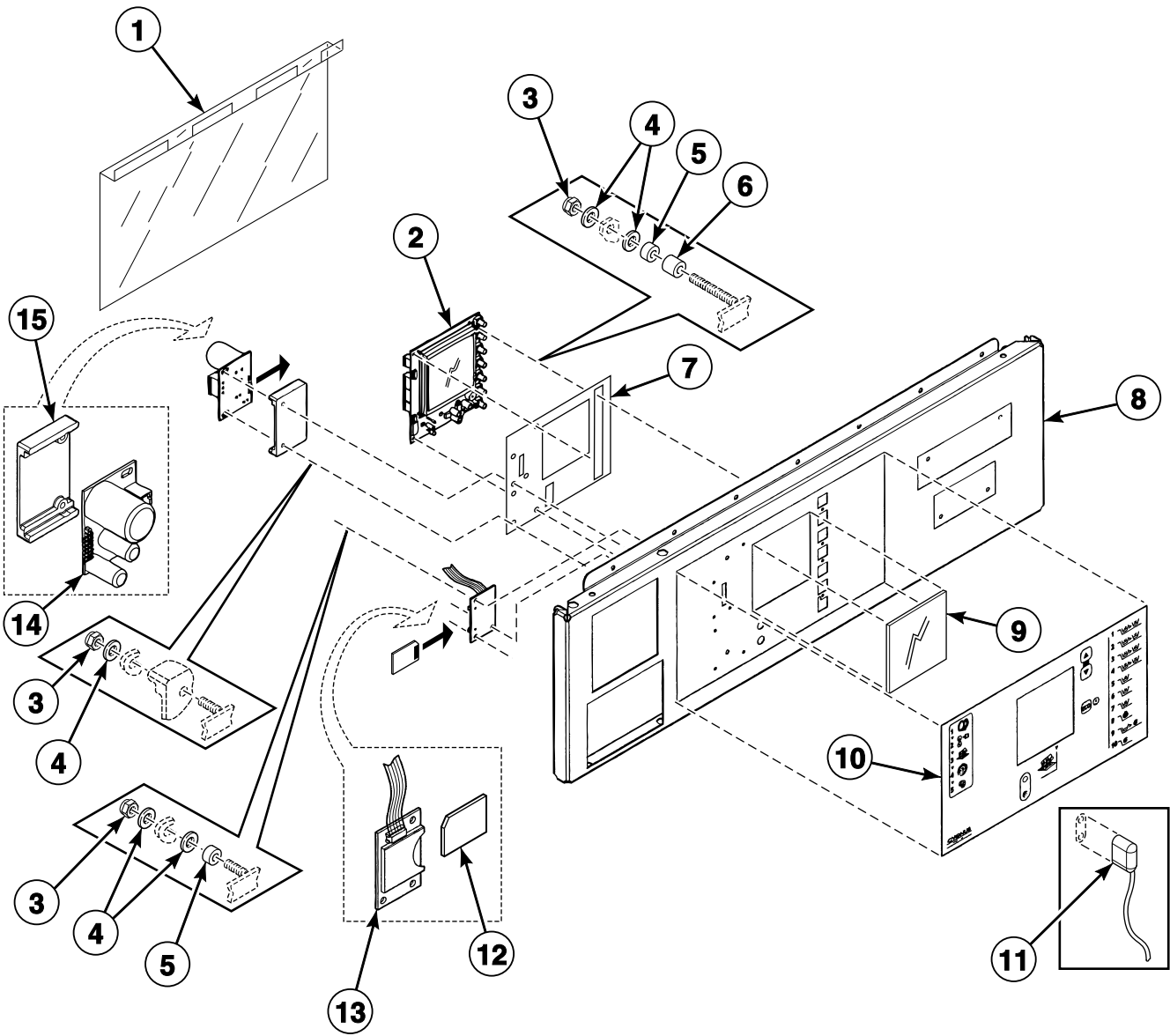


BE000870AP\_D0902

## Control Panel - Cygnus Premium OPL with Frontal Supply Dispenser

REF	PART NO.	DESCRIPTION	COMMENTS
1	229/00289/00	Circuit Board Cover	
2	209/02015/02	Printboard	
3	204/00116/00	Nut	
4	223/00123/00	Washer	
5	211/00128/00	Printboard Separator	
6	211/00122/00	Standoff	
7	229/00291/00	Insulating Sticker	
8	111/01904/00	Operating Panel	
9	225/00323/00	Plexi Frame	
10	225/10404/00	Operating Sticker	With DataFlash card opening
	225/10427/00	Operating Sticker	Without DataFlash card opening
11	210/00902/00	Infrared Cable	
12	209/00099/20	Emergency Switch Pushbutton	
13	209/00520/00	Telem Sticker	
14	209/00099/26	Contact Switch	
15	209/02022/00	Datacard	
16	B12305201	Memory Card PC-Board	Models prior to 4/5/11 requires a firmware upgrade
	B12538301	Data Card Ribbon Assembly	
17	209/02010/00	Door Lock PC-Board	
18	223/00374/00	Mounting Plate	

# Control Panel - Cygnus Premium Coin



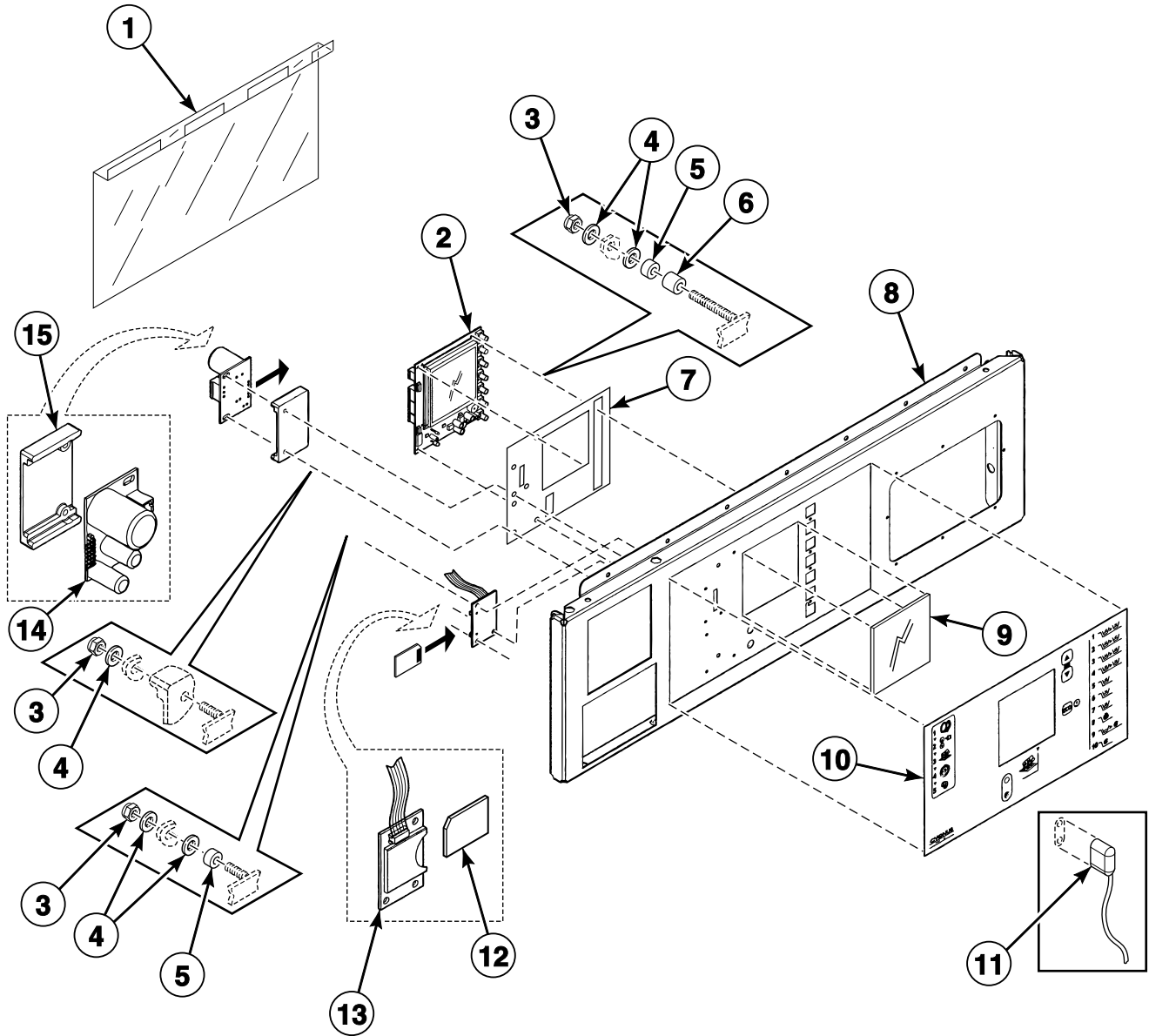
BE000872AP\_D0902

## Control Panel - Cygnus Premium Coin

REF	PART NO.	DESCRIPTION	COMMENTS
1	229/00289/00	Circuit Board Cover	
2	209/02015/02	Printboard	
3	204/00116/00	Nut	
4	223/00123/00	Washer	
5	211/00128/00	Printboard Separator	
6	211/00122/00	Standoff	
7	229/00291/00	Insulating Sticker	
8	111/01901/00	Operating Panel	
9	225/00323/00	Plexi Frame	
10	225/10403/00	Operating Sticker	
11	210/00902/00	Infrared Cable	
12	209/02022/00	Datacard	
13	B12305201	Memory Card PC-Board	Models prior to 4/5/11 require a firmware upgrade
	B12538301	Data Card Ribbon Assembly	
14	209/02010/00	Door Lock PC-Board	
15	223/00374/00	Mounting Plate	



# Control Panel - Cygnus Premium Coin with Frontal Supply Dispenser

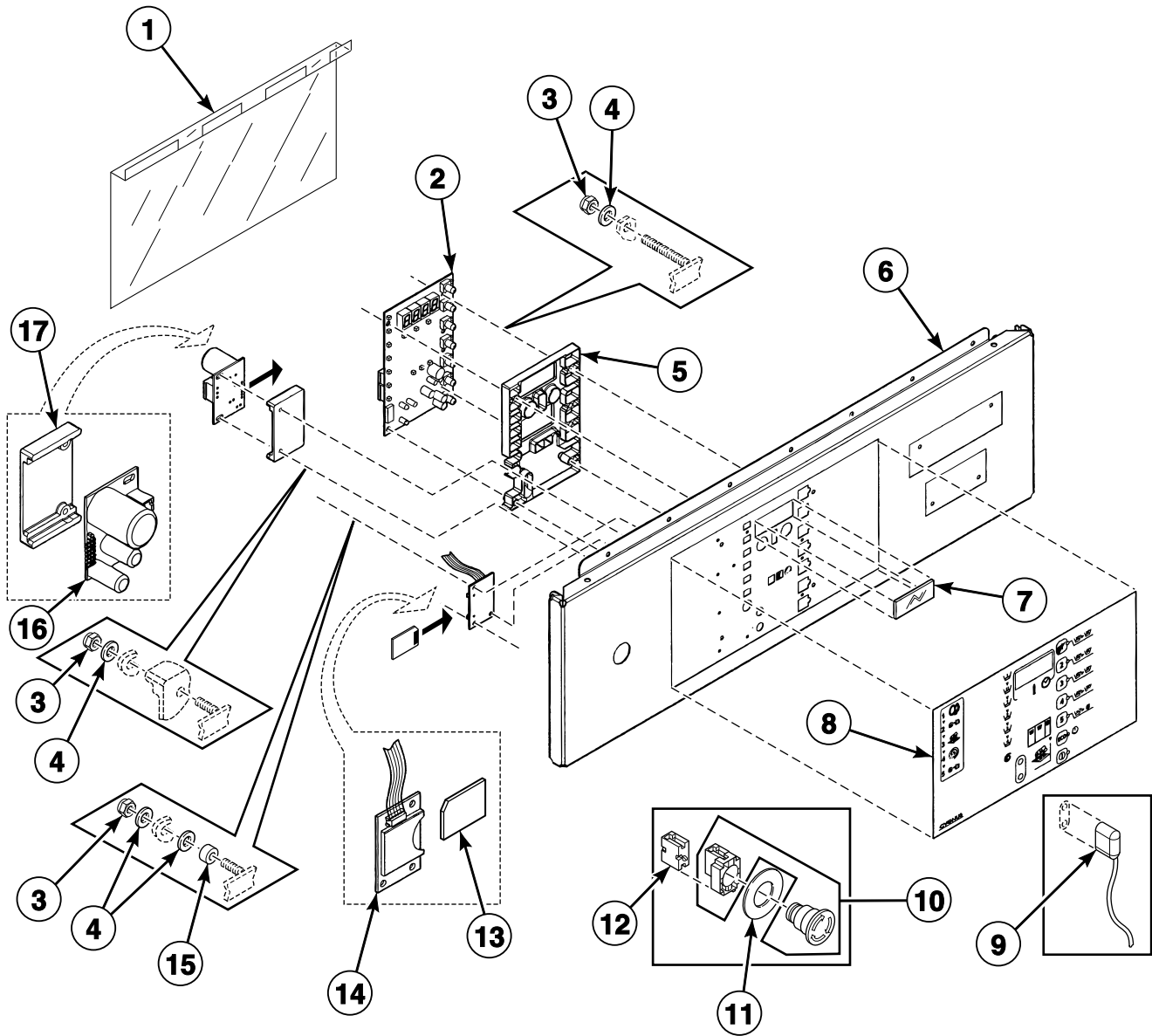


BE000873AP\_D0902

## Control Panel - Cygnus Premium Coin with Frontal Supply Dispenser

REF	PART NO.	DESCRIPTION	COMMENTS
1	229/00289/00	Circuit Board Cover	
2	209/02015/02	Printboard	
3	204/00116/00	Nut	
4	223/00123/00	Washer	
5	211/00128/00	Printboard Separator	
6	211/00122/00	Standoff	
7	229/00291/00	Insulating Sticker	
8	111/01905/00	Operating Panel	
9	225/00323/00	Plexi Frame	
10	225/10403/00	Operating Sticker	
11	210/00902/00	Infrared Cable	
12	209/02022/00	Datacard	
13	B12305201	Memory Card PC-Board	Models prior to 4/5/11 require a firmware upgrade
	B12538301	Data Card Ribbon Assembly	
14	209/02010/00	Door Lock PC-Board	
15	223/00374/00	Mounting Plate	

# Control Panel - Cygnus Standard/Commercial OPL

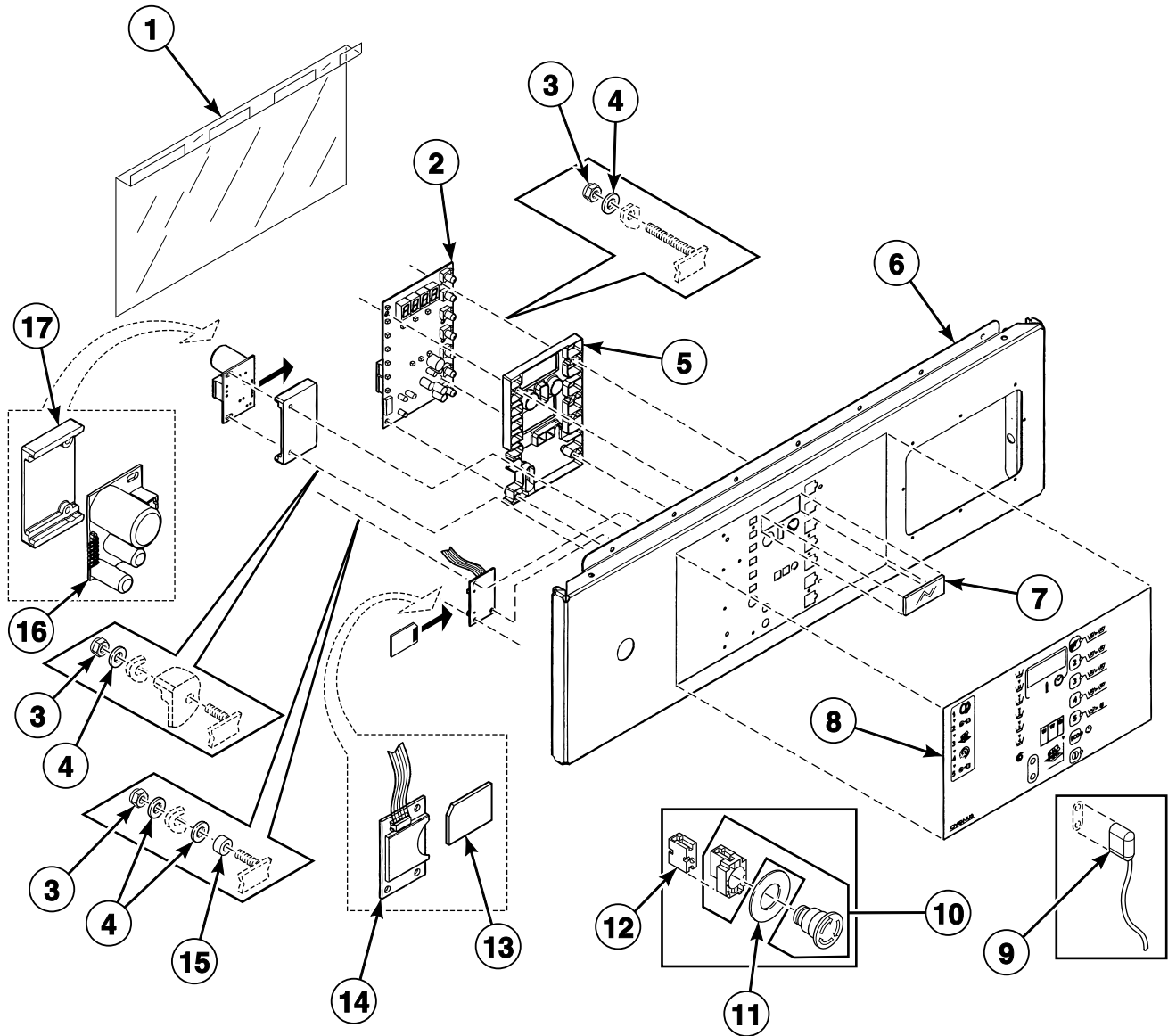


BE000867AP\_D0902

## Control Panel - Cygnus Standard/Commercial OPL

REF	PART NO.	DESCRIPTION	COMMENTS
1	229/00289/00	Circuit Board Cover	
2	209/02001/02	Printboard	
3	204/00116/00	Nut	
4	223/00123/00	Washer	
5	223/00330/00	Protection LED	
6	111/01817/00	Operating Panel	
7	225/00322/00	Plexi Frame	
8	225/10307/00	Operating Sticker	Models HC60_CYGNUS-STANDARD_OPL, HC65_CYGNUS-STANDARD_OPL, HC75_CYGNUS-STANDARD_OPL and HC100_CYGNUS-STANDARD_OPL
	225/10308/00	Operating Sticker	Models HC60_CYGNUS-COMM_OPL, HC65_CYGNUS-COMM_OPL, HC75_CYGNUS-COMM_OPL and HC100_CYGNUS-COMM_OPL
9	210/00902/00	Infrared Cable	
10	209/00248/20	Mushroom Pushbutton	
11	209/00520/00	Telem Sticker	
12	209/00099/26	Contact Switch	
13	209/02022/00	Datacard	
14	B12305201	Memory Card PC-Board	Models prior to 4/5/11 require a firmware upgrade
	B12538301	Data Card Ribbon Assembly	
15	211/00128/00	Printboard Separator	
16	209/02010/00	Door Lock PC-Board	
17	223/00374/00	Mounting Plate	

# Control Panel - Cygnus Standard/Commercial OPL with Frontal Supply Dispenser

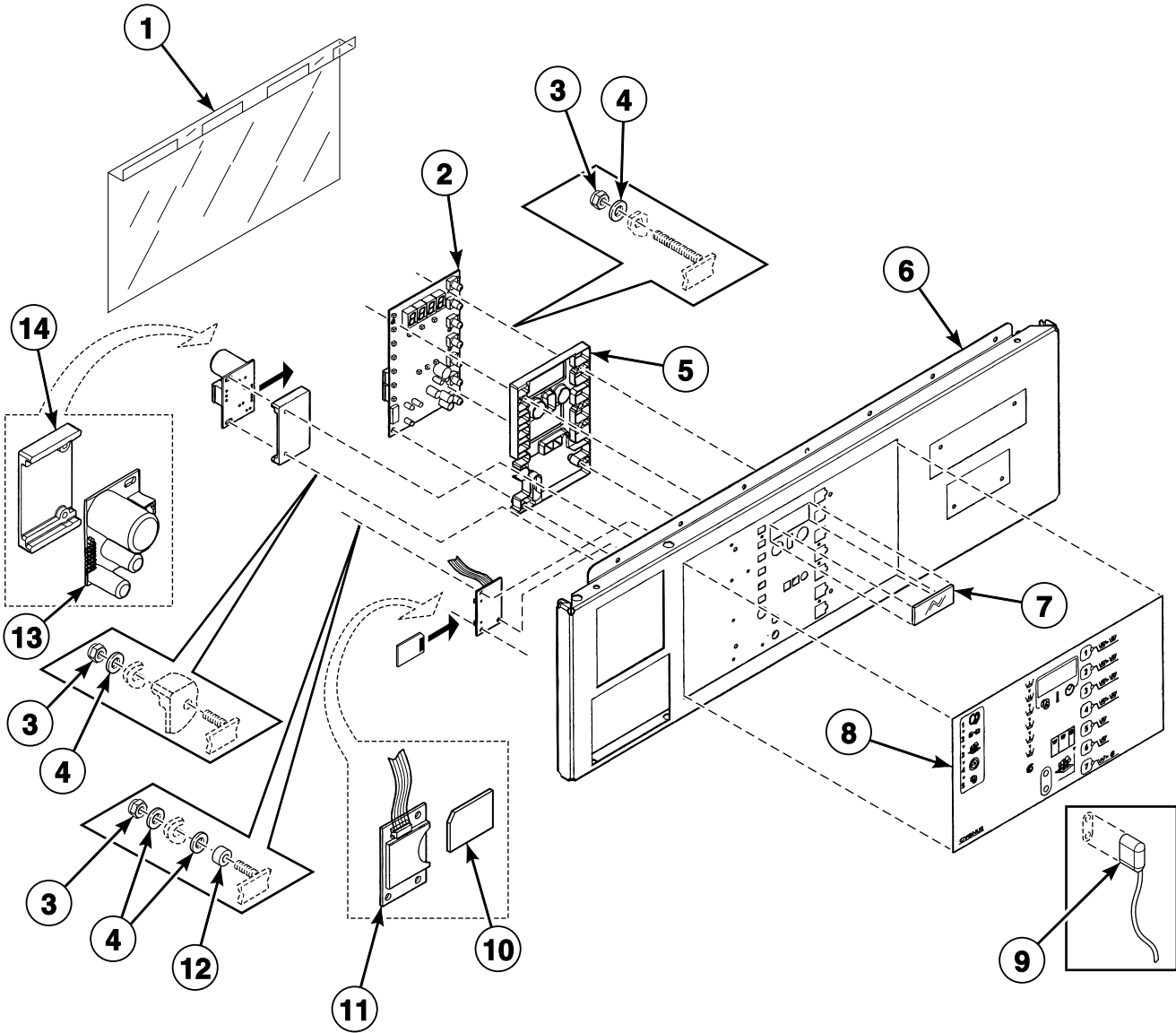


BE000868AP\_D0902

## Control Panel - Cygnus Standard/Commercial OPL with Frontal Supply Dispenser

REF	PART NO.	DESCRIPTION	COMMENTS
1	229/00289/00	Circuit Board Cover	
2	209/02001/02	Printboard	
3	204/00116/00	Nut	
4	223/00123/00	Washer	
5	223/00330/00	Protection LED	
6	111/01827/00	Operating Panel	
7	225/00322/00	Plexi Frame	
8	225/10307/00	Operating Sticker	Models HC60_CYGNUS-STANDARD_OPL, HC65_CYGNUS-STANDARD_OPL, HC75_CYGNUS-STANDARD_OPL and HC100_CYGNUS-STANDARD_OPL
	225/10308/00	Operating Sticker	Models HC60_CYGNUS-COMM_OPL, HC65_CYGNUS-COMM_OPL, HC75_CYGNUS-COMM_OPL and HC100_CYGNUS-COMM_OPL
9	210/00902/00	Infrared Cable	
10	209/00248/20	Mushroom Pushbutton	
11	209/00520/00	Telem Sticker	
12	209/00099/26	Contact Switch	
13	209/02022/00	Datacard	
14	B12305201	Memory Card PC-Board	Models prior to 4/5/11 require a firmware upgrade
	B12538301	Data Card Ribbon Assembly	
15	211/00128/00	Printboard Separator	
16	209/02010/00	Door Lock PC-Board	
17	223/00374/00	Mounting Plate	

# Control Panel - Cygnus Standard/Commercial Coin



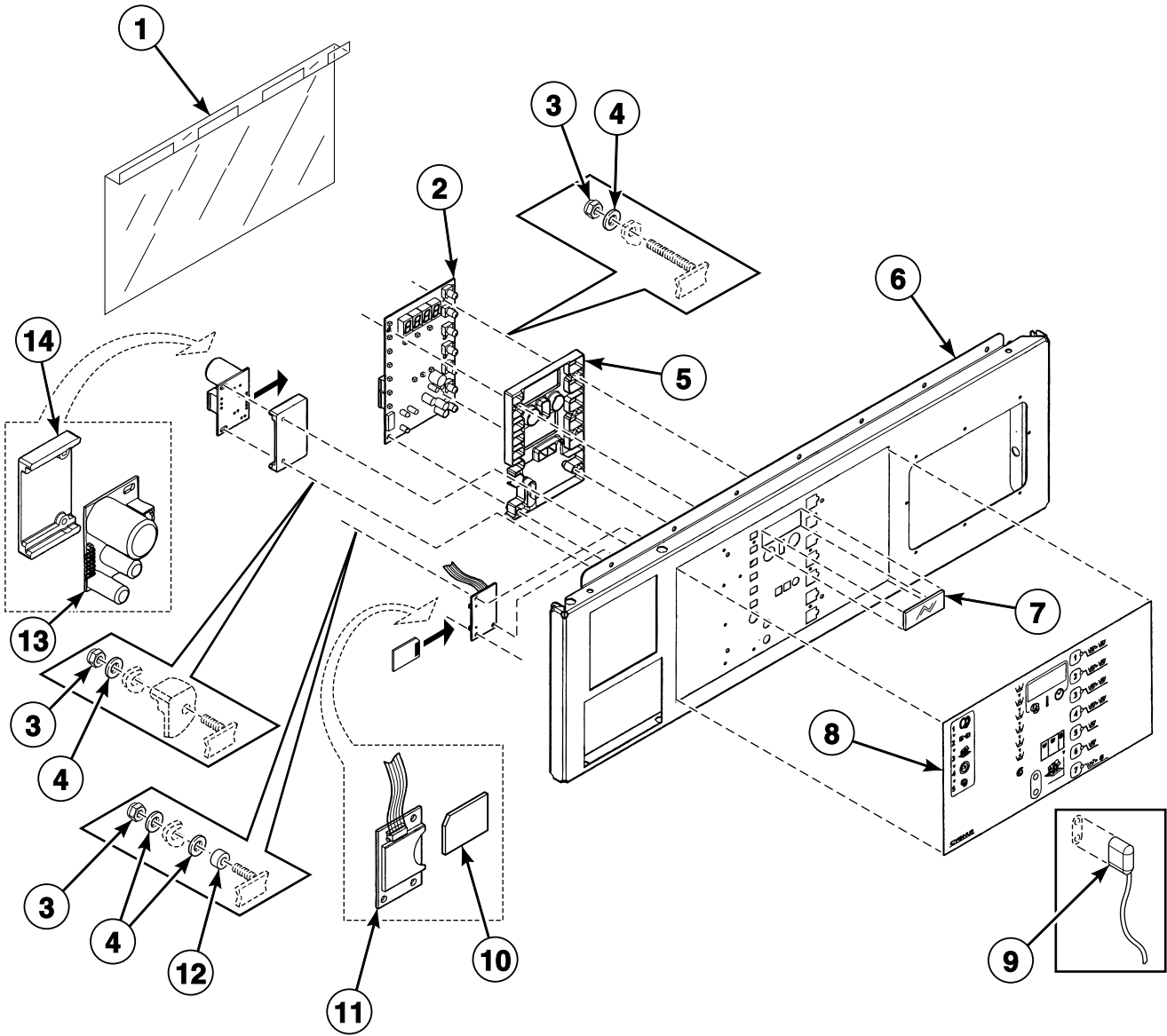
BE000874AP\_D0902

## Control Panel - Cygnus Standard/Commercial Coin

REF	PART NO.	DESCRIPTION	COMMENTS
1	229/00289/00	Circuit Board Cover	
2	209/02001/02	Printboard	
3	204/00116/00	Nut	
4	223/00123/00	Washer	
5	223/00330/00	Protection LED	
6	111/01818/00	Operating Panel	
7	225/00322/00	Plexi Frame	
8	225/10305/00	Operating Sticker	Models HC60_CYGNUS-STANDARD_COIN, HC65_CYGNUS-STANDARD_COIN, HC75_CYGNUS-STANDARD_COIN and HC100_CYGNUS-STANDARD_COIN
	225/10306/00	Operating Sticker	Models HC60_CYGNUS-COMM_COIN, HC65_CYGNUS-COMM_COIN, HC75_CYGNUS-COMM_COIN and HC100_CYGNUS-COMM_COIN
9	210/00902/00	Infrared Cable	
10	209/02022/00	Datacard	
11	B12305201	Memory Card PC-Board	Models prior to 4/5/11 require a firmware upgrade
	B12538301	Data Card Ribbon Assembly	
12	211/00128/00	Printboard Separator	
13	209/02010/00	Door Lock PC-Board	
14	223/00374/00	Mounting Plate	



# Control Panel - Cygnus Standard/Commercial Coin with Frontal Supply Dispenser

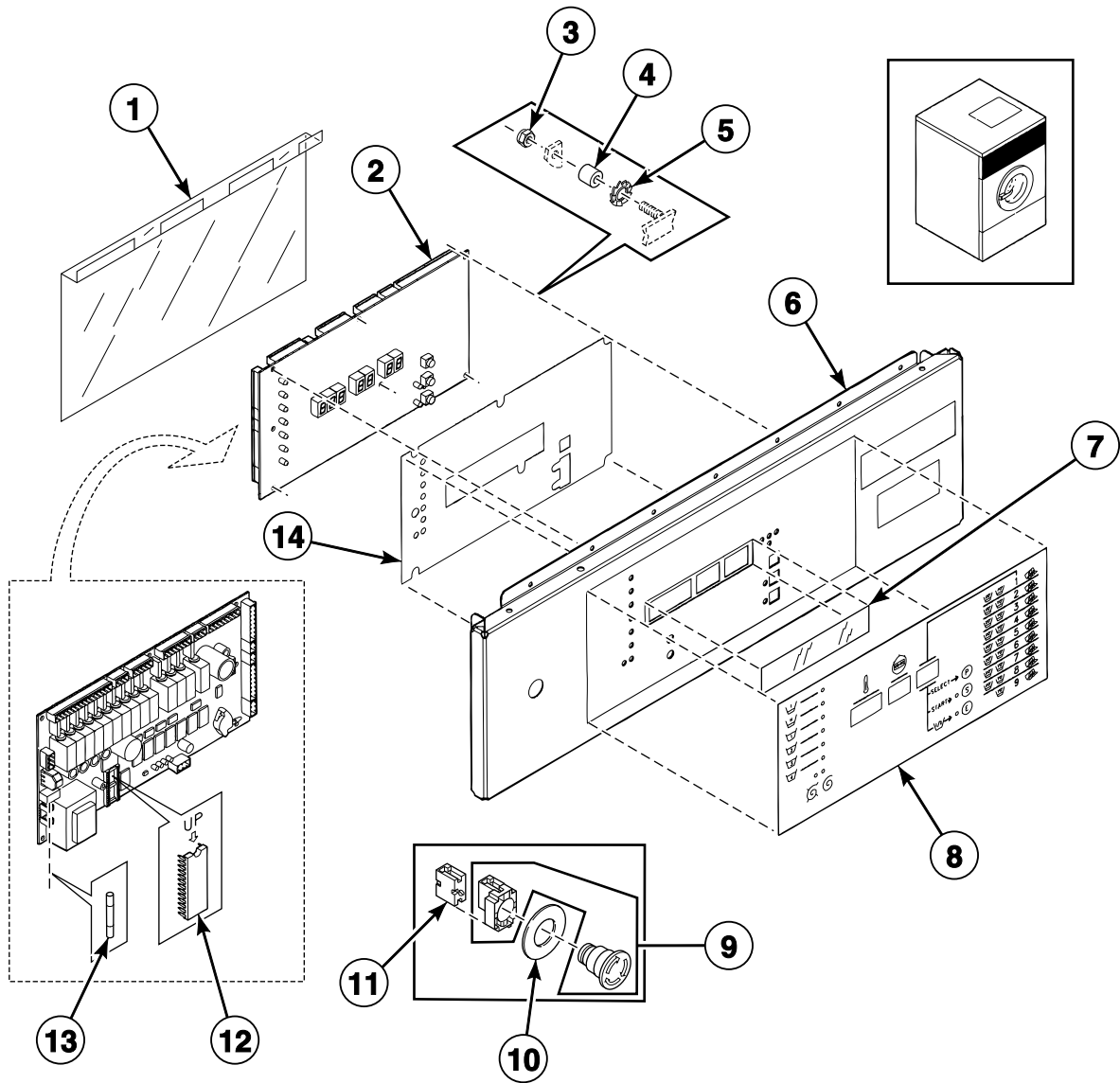


BE000869AP\_D0902

## Control Panel - Cygnus Standard/Commercial Coin with Frontal Supply Dispenser

REF	PART NO.	DESCRIPTION	COMMENTS
1	229/00289/00	Circuit Board Cover	
2	209/02001/02	Printboard	
3	204/00116/00	Nut	
4	223/00123/00	Washer	
5	223/00330/00	Protection LED	
6	111/01826/00	Operating Panel	
7	225/00322/00	Plexi Frame	
8	225/10305/00	Operating Sticker	Models HC60_CYGNUS-STANDARD_COIN, HC65_CYGNUS-STANDARD_COIN, HC75_CYGNUS-STANDARD_COIN and HC100_CYGNUS-STANDARD_COIN
	225/10306/00	Operating Sticker	Models HC60_CYGNUS-COMM_COIN, HC65_CYGNUS-COMM_COIN, HC75_CYGNUS-COMM_COIN and HC100_CYGNUS-COMM_COIN
9	210/00902/00	Infrared Cable	
10	209/02022/00	Datacard	
11	B12305201	Memory Card PC-Board	Models prior to 4/5/11 require a firmware upgrade
	B12538301	Data Card Ribbon Assembly	
12	211/00128/00	Printboard Separator	
13	209/02010/00	Door Lock PC-Board	
14	223/00374/00	Mounting Plate	

# Control Panel - Micro-20 OPL

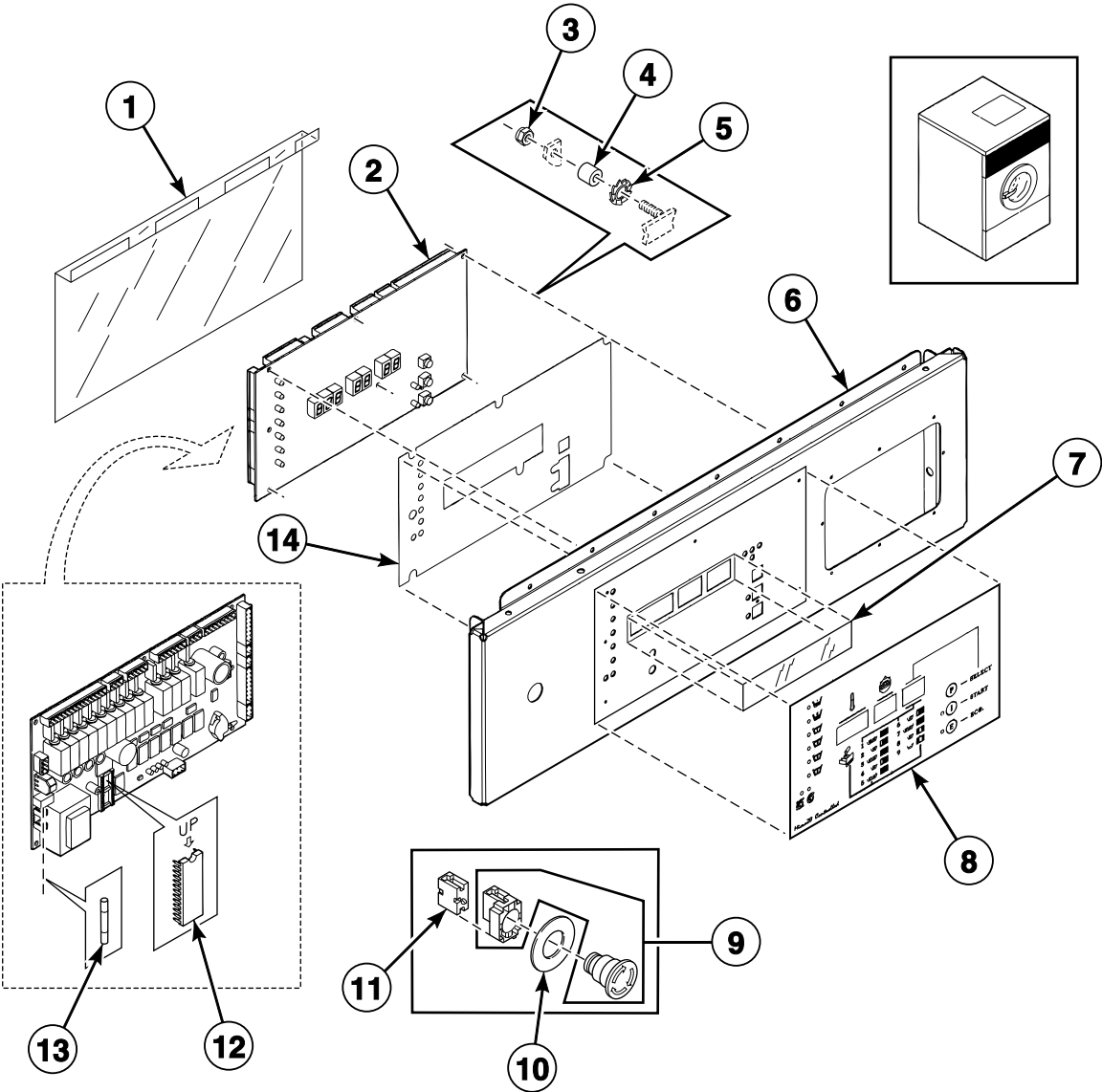


BE000620P\_D0902

## Control Panel - Micro-20 OPL

REF	PART NO.	DESCRIPTION	COMMENTS
1	229/00289/00	Circuit Board Cover	
2	209/00440/70	Printboard	220 Volt
	209/00440/80	Printboard	115 Volt
3	204/00116/00	Nut	
4	211/00122/00	Standoff	
5	203/00006/00	Washer	
6	111/01814/00	Upper Front Panel	
7	225/00316/00	Plexi Frame	
8	225/00407/00	Keypad Sticker	With ECO
	225/00408/00	Operating Sticker	Without ECO
9	209/00248/20	Mushroom Pushbutton	
10	209/00520/00	Telem Sticker	
11	209/00099/26	Contact Switch	
12	209/00266/01	Eprom	Standard software
13	209/00372/01	Fuse	125 mA
14	229/00255/00	Insulating Sticker	

# Control Panel - Micro-20 OPL with Frontal Supply Dispenser

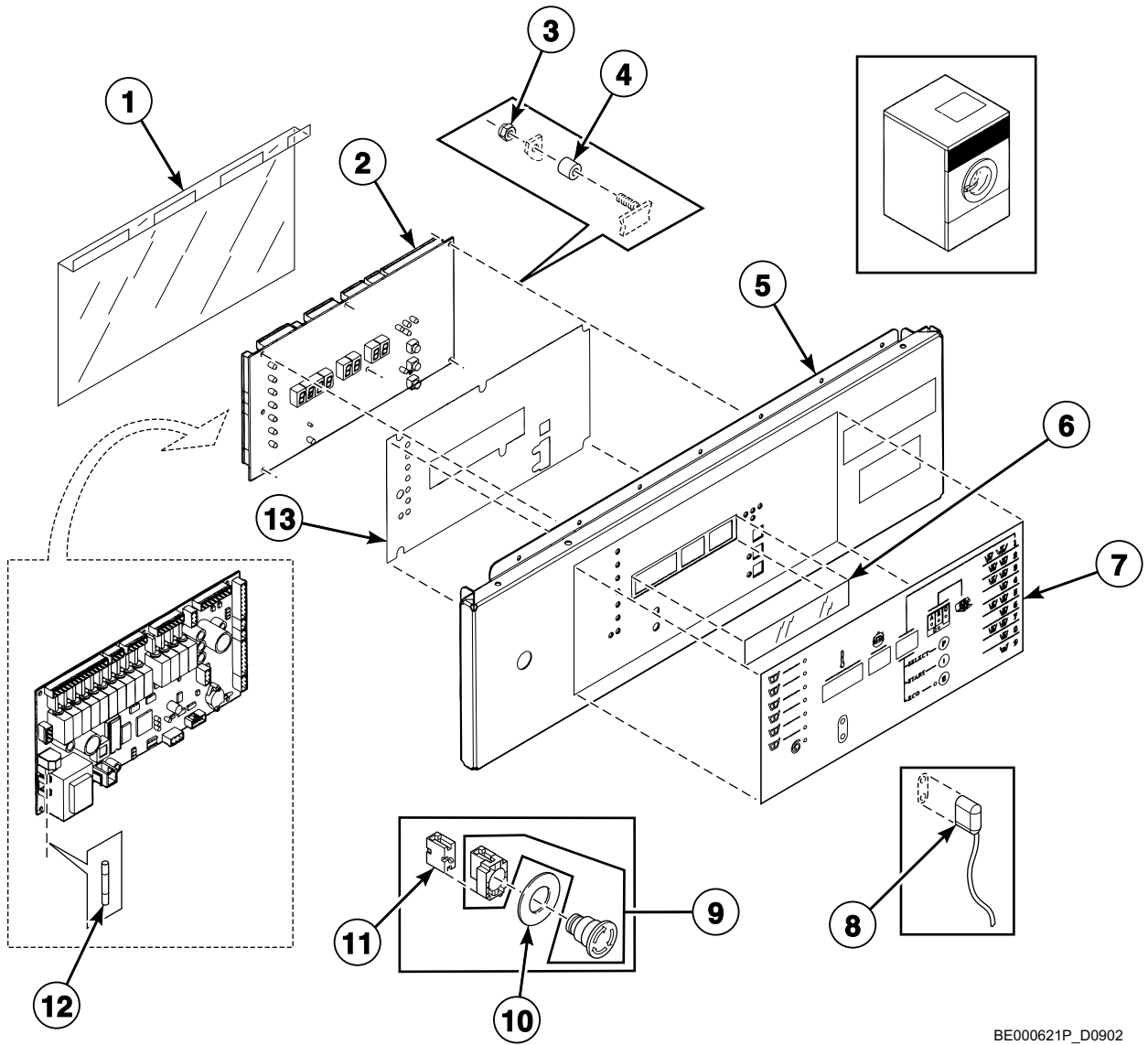


BE000818P\_D0902

## Control Panel - Micro-20 OPL with Frontal Supply Dispenser

REF	PART NO.	DESCRIPTION	COMMENTS
1	229/00289/00	Circuit Board Cover	
2	209/00440/70	Printboard	220 Volt
	209/00440/80	Printboard	115 Volt
3	204/00116/00	Nut	
4	211/00122/00	Standoff	
5	203/00006/00	Washer	
6	111/01813/00	Upper Front Panel	
7	225/00316/00	Plexi Frame	
8	225/00409/00	Operating Sticker	
9	209/00248/20	Mushroom Pushbutton	
10	209/00520/00	Telem Sticker	
11	209/00099/26	Contact Switch	
12	209/00266/01	Eprom	Standard software
13	209/00372/01	Fuse	125 mA
14	229/00255/00	Insulating Sticker	

# Control Panel - Sigma OPL



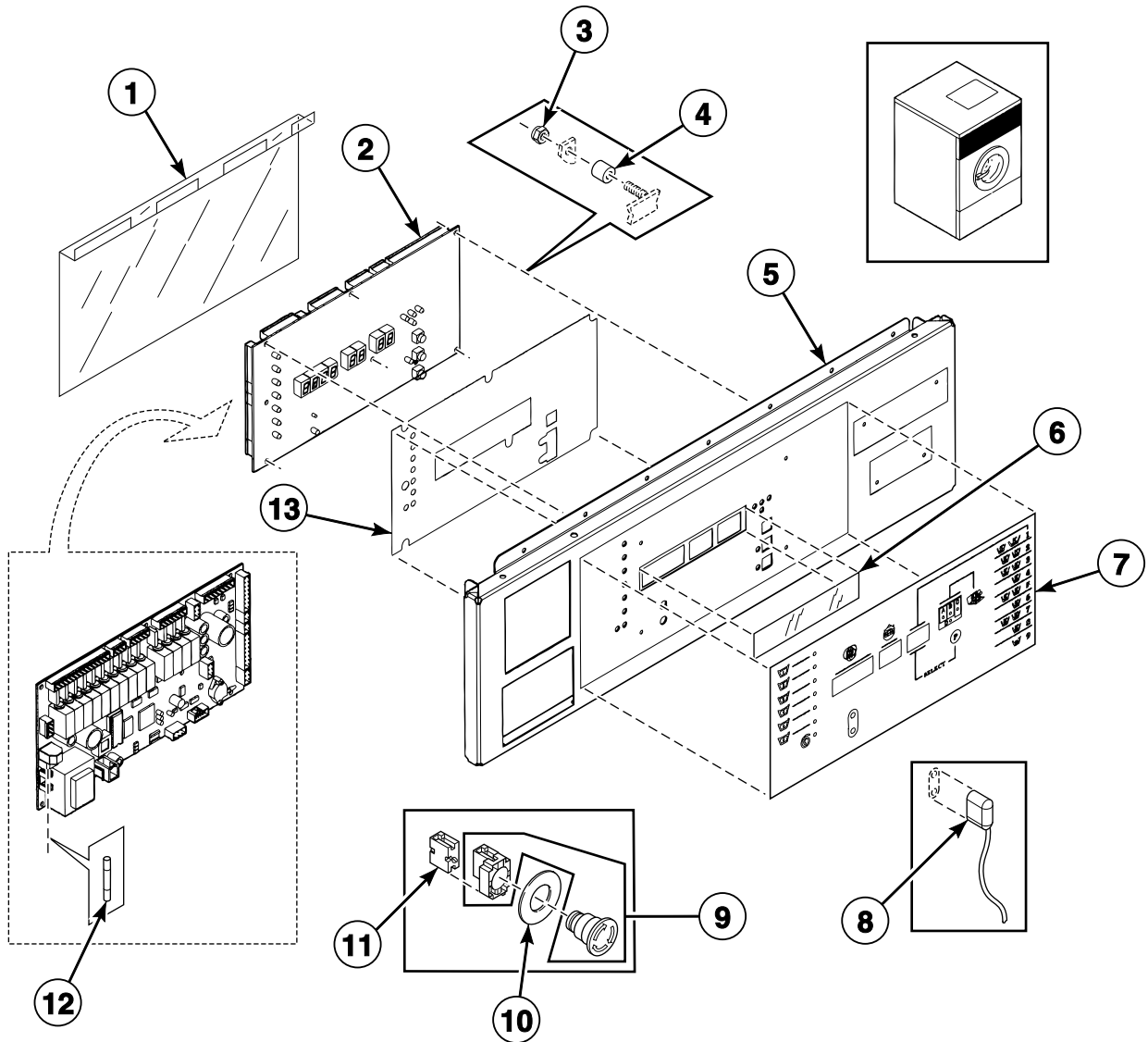
BE000621P\_D0902

## Control Panel - Sigma OPL

REF	PART NO.	DESCRIPTION	COMMENTS
1	229/00262/00	Circuit Board Cover	
2	209/00547/00	Control Board	
3	204/00114/00	Nut	
4	211/00122/00	Standoff	
5	111/01814/00	Upper Front Panel	
6	225/00316/00	Plexi Frame	
7	225/00404/00	Operating Sticker	With ECO
	225/00405/00	Operating Sticker	Without ECO
8	210/00902/00	Infrared Cable	
9	209/00248/20	Mushroom Pushbutton	
10	209/00520/00	Telem Sticker	
11	209/00099/26	Contact Switch	
12	209/00372/01	Fuse	125 mA
13	229/00255/00	Insulating Sticker	



# Control Panel - Micro-20 and Sigma Coin

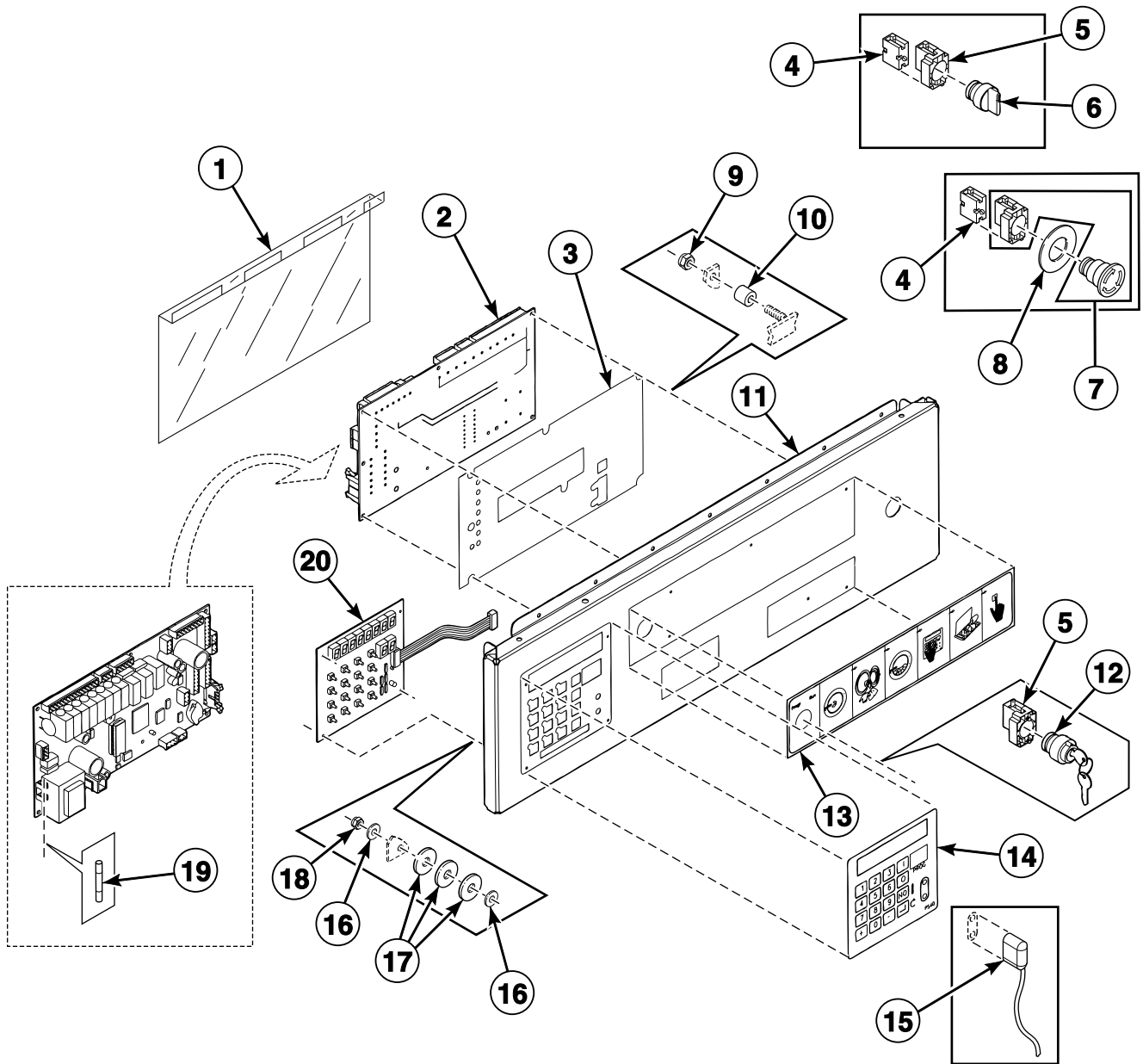


BE000629P\_D0902

## Control Panel - Micro-20 and Sigma Coin

REF	PART NO.	DESCRIPTION	COMMENTS
1	229/00262/00	Circuit Board Cover	
2	209/00547/00	Control Board	Sigma models
	209/00440/70	Printboard	Micro-20 models; 220 Volt
	209/00440/80	Printboard	Micro-20 models; 115 Volt
3	204/00116/00	Nut	
4	211/00122/00	Standoff	
5	245/00124/00	Facia and Outer Coin Box Assembly Kit	
6	225/00316/00	Plexi Frame	
7	225/00406/00	Operating Label	Micro-20 models
	225/00403/00	Decal	Sigma models
8	210/00902/00	Infrared Cable	
9	209/00248/20	Mushroom Pushbutton	
10	209/00520/00	Telem Sticker	
11	209/00099/26	Contact Switch	
12	209/00372/01	Fuse	125 mA
13	229/00255/00	Insulating Sticker	

# Control Panel - PS40F

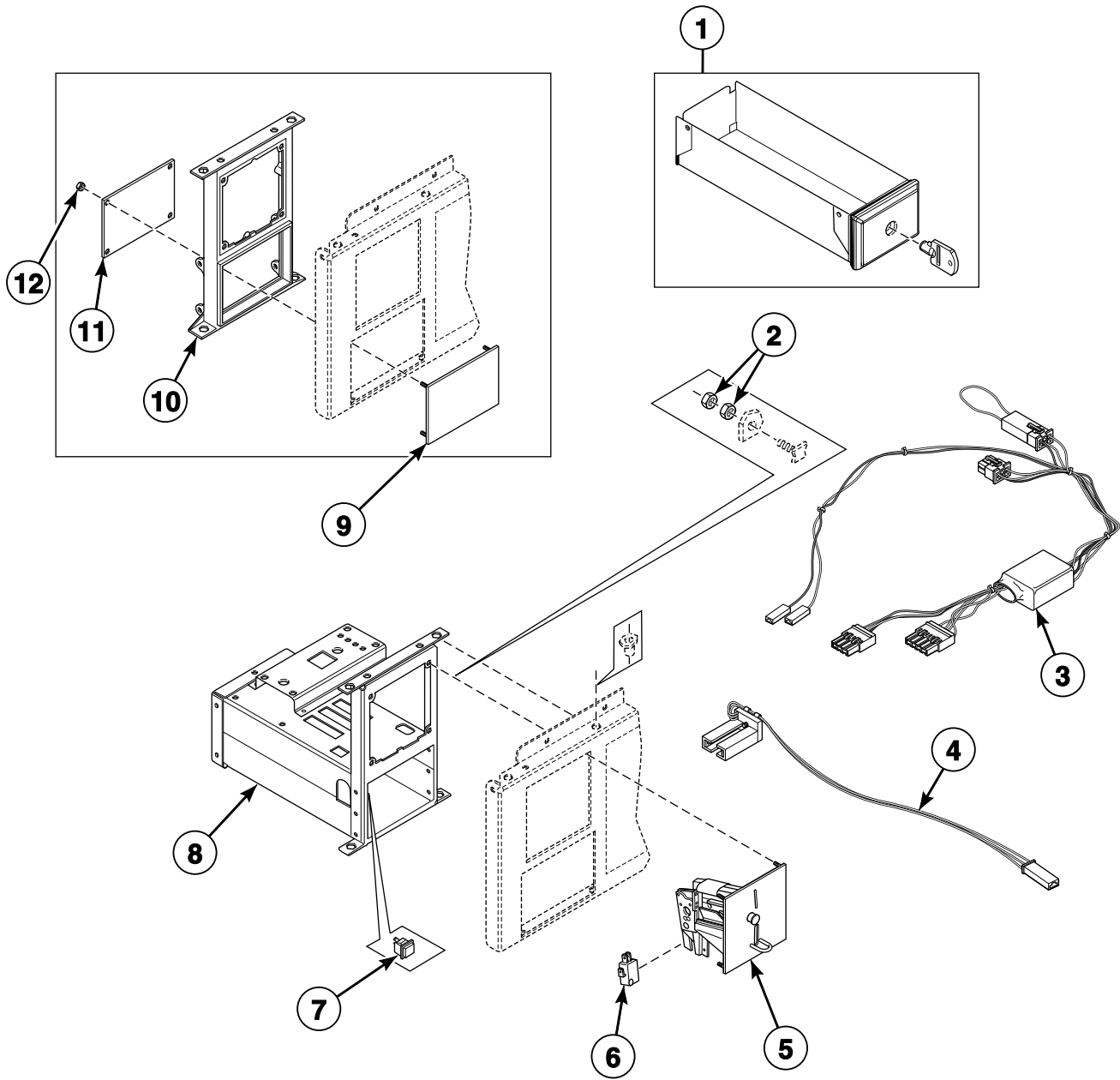


BE000622P\_D0902

## Control Panel - PS40F

REF	PART NO.	DESCRIPTION	COMMENTS
1	229/00262/00	Circuit Board Cover	
2	B12351701	Main Board	
3	229/00255/00	Insulating Sticker	
4	209/00099/26	Contact Switch	
5	209/00099/25	Switch Base	
6	209/00099/29	Switch Knob	
7	209/00248/20	Mushroom Pushbutton	
8	209/00520/00	Telem Sticker	
9	204/00116/00	Nut	
10	211/00122/00	Standoff	
11	111/01848/00	Upper Front Panel	HC and IHC models
	111/01963/00	Upper Front Panel	CHC and HC models
12	209/00326/20	Programming Key Contact Switch	
13	225/00400/00	Operating Sticker	
14	225/00397/00	Label	
15	210/00902/00	Infrared Cable	
16	223/00123/00	Washer	
17	223/00051/10	Washer	
18	204/00116/00	Nut	
19	209/00372/01	Fuse	125 mA; Used with 209/00552/02 Printboard
	209/00552/11	Fuse	80mA; Used with B12351701 Main Board
20	209/00552/01	Keypad	

# Coin Drop - Mechanical Coin Meter

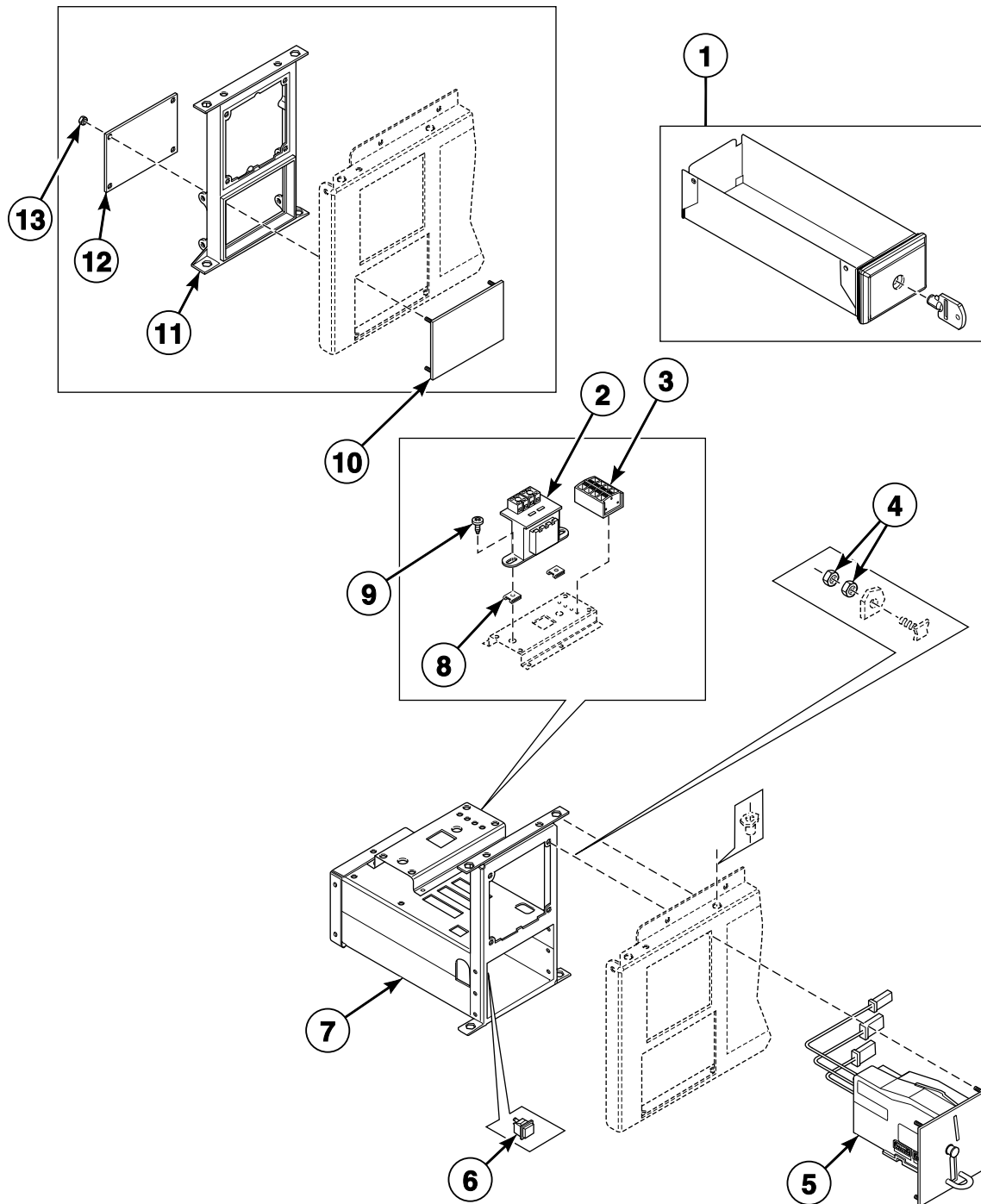


CFD512P\_D0902

## Coin Drop - Mechanical Coin Meter

REF	PART NO.	DESCRIPTION	COMMENTS
	B12388101	Single Drop Optical Sensor Kit	Includes items 3 and 4
	B12388102	Dual Drop Optical Sensor Kit	Includes items 3 and 4
<b>1</b>	254/00077/00	Coin Box	
	254/00077/02	Key	
<b>2</b>	204/00008/00	Nut	
<b>3</b>	B12359901	Wire Assembly	Micro-20 and Sigma models
<b>4</b>	209/00781/00	Optical Switch	Micro-20 and Sigma models
<b>5</b>	B12311224	Coin Drop	Mechanical; Jeton 5K
	B12311206	Coin Drop	Mechanical; Jeton 7K
	B12311201	Coin Drop	Mechanical; Jeton 10K
	B12311210	Coin Drop	Mechanical; Jeton 12K
	B12311252	Coin Drop	Mechanical; Jeton 10K and .5 euro
	B12311211	Coin Drop	Mechanical; Jeton 7K and 1 euro
	B12323901	Coin Drop	Mechanical; Jeton 15K and 7K
	B12311204	Coin Drop	Mechanical; Jeton gettone
	B12311234	Coin Drop	Mechanical; Jeton crouzet
	B12311247	Coin Drop	Mechanical; Jeton 118-1
	B12311248	Coin Drop	Mechanical; Jeton 118-5
	B12311222	Coin Drop	Mechanical; 1 euro
	B12311214	Coin Drop	Mechanical; .5 euro
	B12311202	Coin Drop	Mechanical; .5 and 1 euro
	B12311239	Coin Drop	Mechanical; .5 and 2 euro
	B12311205	Coin Drop	Mechanical; .2 and 1 euro
	B11211209	Coin Drop	Mechanical; .2 and .5 euro
	B12311218	Coin Drop	Mechanical; 1 and 1 euro
	B12311219	Coin Drop	Mechanical; 1 and 2 euro
	B12311203	Coin Drop	Mechanical; 1 and 2 frank
	B12311207	Coin Drop	Mechanical; 1 Deense kroon
	B12311225	Coin Drop	Mechanical; 10 Deense kronen
	B12311235	Coin Drop	Mechanical; 10 Tsjechische kronen
	B12311244	Coin Drop	Mechanical; 10 Noorse kronen
	B12311208	Coin Drop	Mechanical; 100 and 500 yen
	B12311212	Coin Drop	Mechanical; 15K
	B12311215	Coin Drop	Mechanical; 1 kro
	B12311226	Coin Drop	Mechanical; Australia 1.00
	B12311216	Coin Drop	Mechanical; Australia .2 and 1.00
	B12311220	Coin Drop	Mechanical; New Zealand 1.00
	B12311221	Coin Drop	Mechanical; .5 and 2 zwitsers
	B12311241	Coin Drop	Mechanical; Hong Kong 1.00
	B12311249	Coin Drop	Mechanical; Hong Kong 5.00
	B12311301	Coin Drop	Mechanical; U.S. \$0.25
	B12311302	Coin Drop	Mechanical; U.S. \$0.25 and \$1.00
	B12311304	Coin Drop	Mechanical; Canada 1.00 and .25
	B12323401	Coin Drop	Mechanical; Singapore 1.00
<b>6</b>	209/00600/01P	Switch	
<b>7</b>	209/00396/00	Pushbutton	
<b>8</b>	152/00112/00	Mechanical Coin Meter Housing	
<b>9</b>	111/01001/00	Top Panel	Gray
	111/01000/00	Front Plate	Black
<b>10</b>	217/00060/00	Fastening Piece	
<b>11</b>	111/01002/00	Backplate	
<b>12</b>	204/00116/00	Nut	

# Coin Drop - Electronic Coin Meter



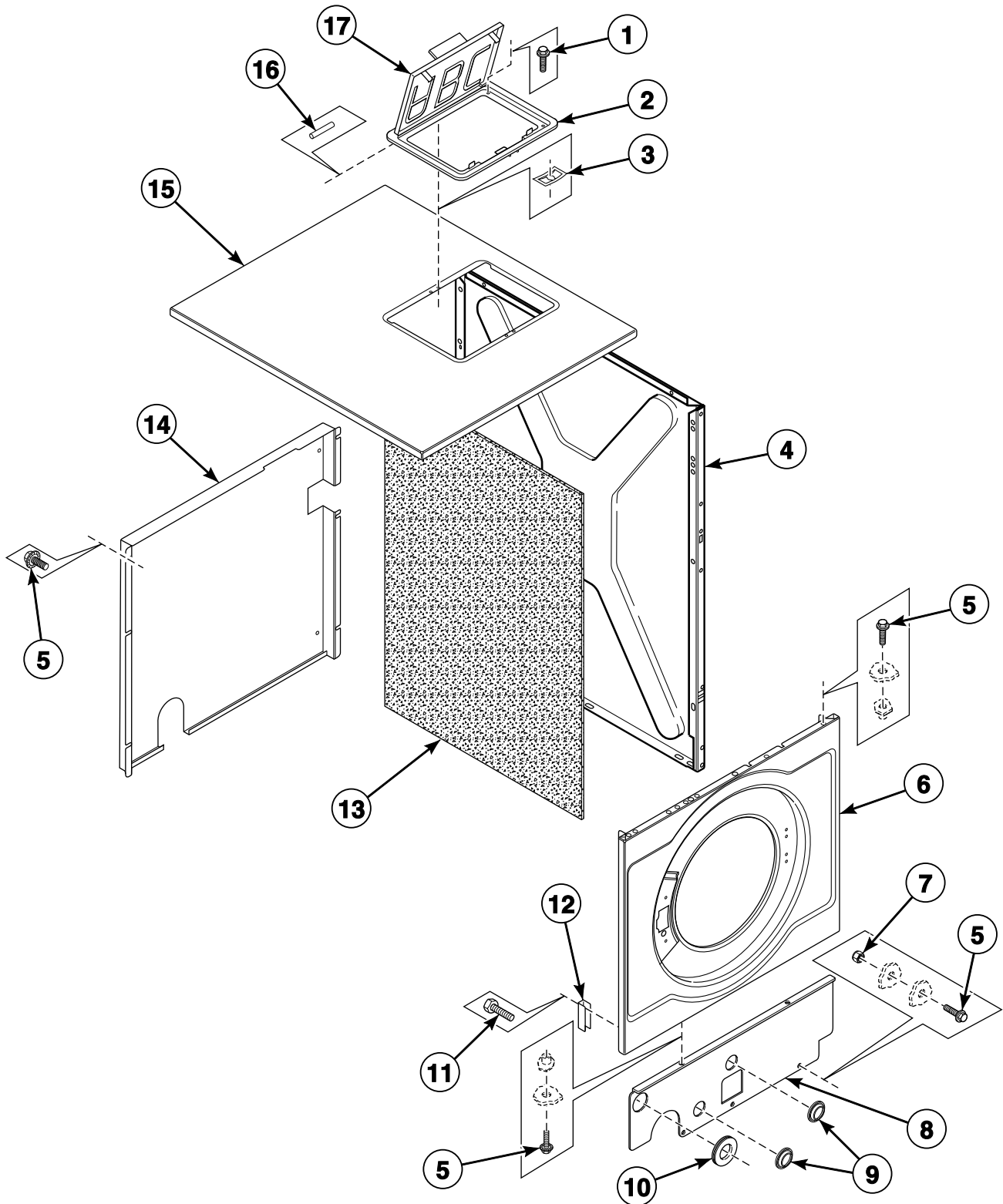
CFD511P\_D0902

## Coin Drop - Electronic Coin Meter

REF	PART NO.	DESCRIPTION	COMMENTS
1	254/00077/00	Coin Box	
	254/00077/02	Key	
2	209/00682/00	Transformer	
3	209/00683/00	Input Block	
4	204/00008/00	Nut	
5	B12311401	Coin Drop	Electronic; Cygnus models
6	209/00396/00	Pushbutton	
7	152/00112/50	Electronic Coin Meter Housing	
8	208/00002/00	Nut	
9	208/00014/00	Screw	
10	111/01001/00	Top Panel	Gray
	111/01000/00	Front Plate	Black
11	217/00060/00	Fastening Piece	
12	111/01002/00	Backplate	
13	204/00116/00	Nut	



# Right Side, Front, Lower Rear and Top Panels - Models with Pump Drain

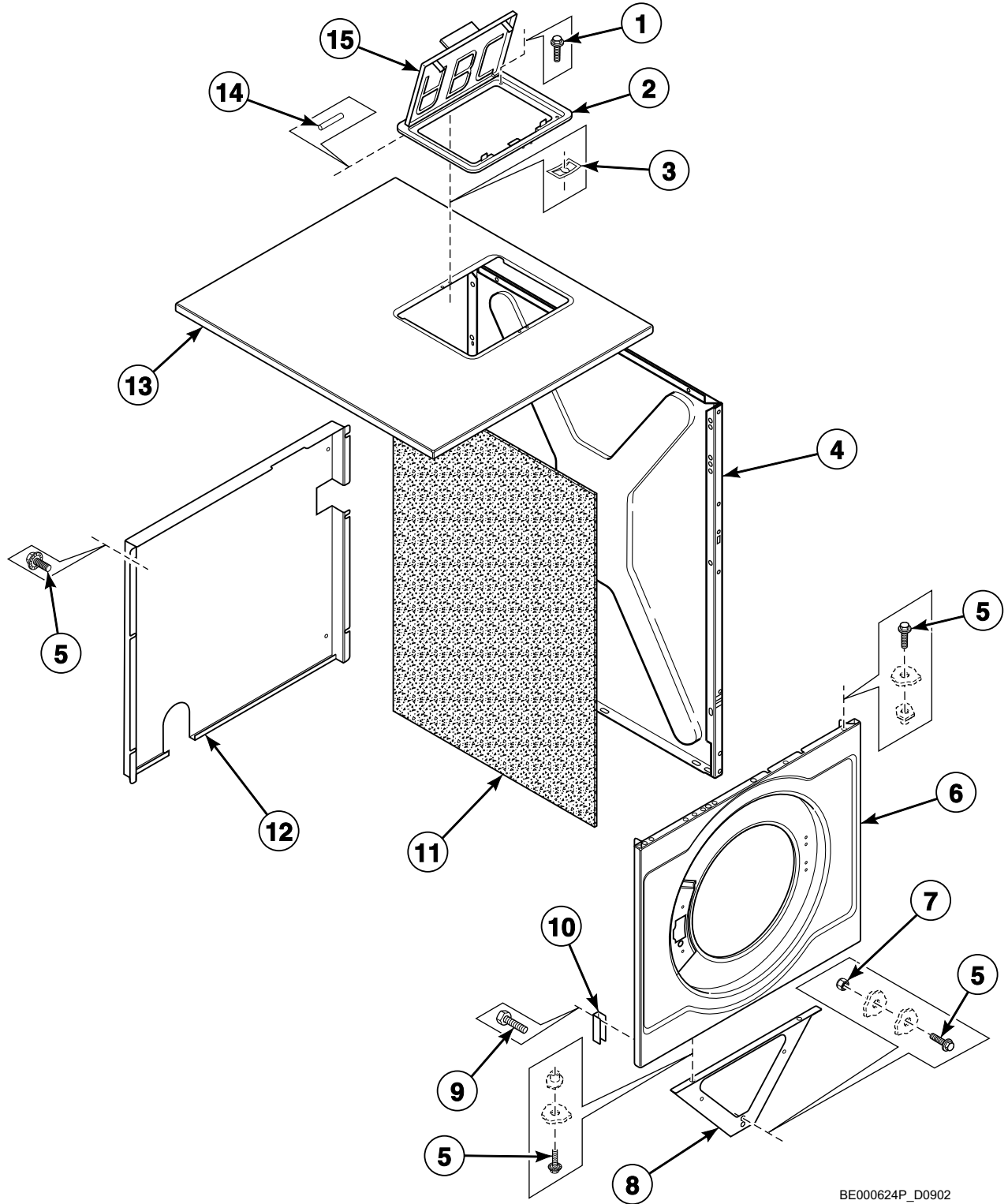


BE000661P\_D0902

## Right Side, Front, Lower Rear and Top Panels - Models with Pump Drain

REF	PART NO.	DESCRIPTION	COMMENTS
1	207/00125/00	Bolt	
2	223/00103/03	Soap Dispenser Frame	
3	208/00104/00	Nut	
4	111/10089/00	Side Panel	*18, *65 and *75 models; Stainless steel
	111/10097/00	Side Panel	*25 and *100 models; Stainless steel
	111/10128/00	Side Panel	*12 and *60 models; Stainless steel
	111/60048/00	Side Panel	*12 and *60 models; Black
	111/60031/00	Side Panel	*18, *65 and *75 models; Black
	111/60034/00	Side Panel	*25 and *100 models; Black
5	206/00099/00	Bolt	
6	111/00284/00	Front Panel	
7	204/00009/00	Nut	
8	111/00289/00	Pump Protection Plate	
9	223/00198/00	Grommet	
10	223/00231/00	Cable Duct	
11	206/00114/00	Bolt	
12	111/10089/01	Reinforcement Plate	
13	246/00079/00	Side Panel Gasket	
14	111/10427/01	Lower Rear Panel	
15	111/22141/00	Top Panel	*18, *65 and *75 models
	111/22142/00	Top Panel	*25 and *100 models
	155/00142/00	Top Panel	*12 and *60 models
16	223/00103/04	Soap Dispenser Cover Hinge Rod	2 required
17	223/00103/01	Soap Dispenser Cover	

# Right Side, Front, Lower Rear and Top Panels - Models without Pump Drain

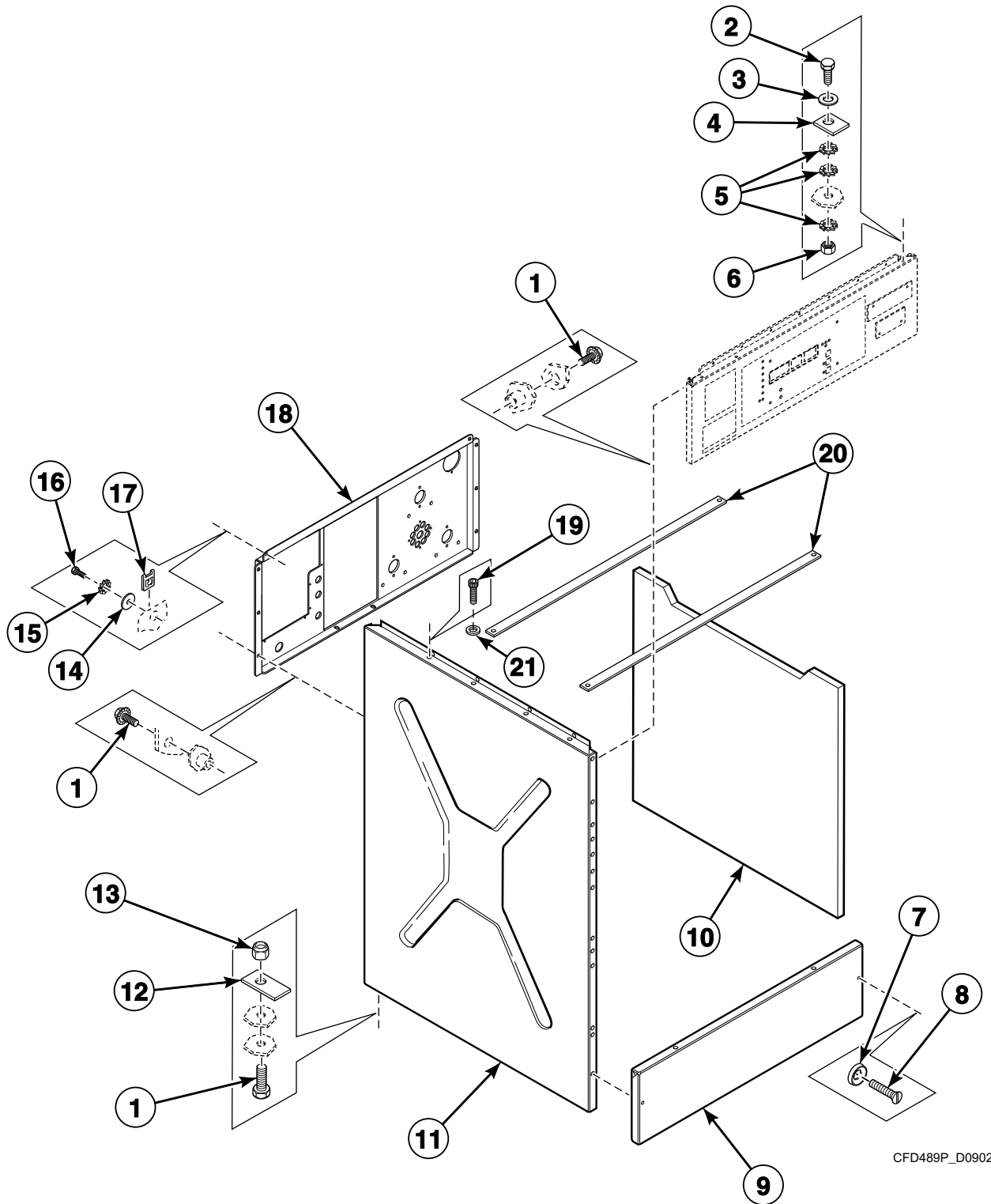


BE000624P\_D0902

## Right Side, Front, Lower Rear and Top Panels - Models without Pump Drain

REF	PART NO.	DESCRIPTION	COMMENTS
1	207/00125/00	Bolt	
2	223/00103/03	Soap Dispenser Frame	
3	208/00104/00	Nut	
4	111/10089/00	Side Panel	*18, *65 and *75 models; Stainless steel
	111/10097/00	Side Panel	*25 and *100 models; Stainless steel
	111/10128/00	Side Panel	*12 and *60 models; Stainless steel
	111/60048/00	Side Panel	*12 and *60 models; Black
	111/60031/00	Side Panel	*18, *65 and *75 models; Black
	111/60034/00	Side Panel	*25 and *100 models; Black
5	206/00099/00	Bolt	
6	111/00284/00	Front Panel	
7	204/00009/00	Nut	
8	155/00144/00	Reinforcing Triangle	
9	206/00114/00	Bolt	
10	111/10089/01	Reinforcement Plate	
11	246/00079/00	Side Panel Gasket	
12	111/10427/01	Lower Rear Panel	
13	111/22141/00	Top Panel	*18, *65 and *75 models
	111/22142/00	Top Panel	*25 and *100 models
	155/00142/00	Top Panel	*12 and *60 models
14	223/00103/04	Soap Dispenser Cover Hinge Rod	2 required
15	223/00103/01	Soap Dispenser Cover	

# Left Side, Lower Front and Upper Back Panels

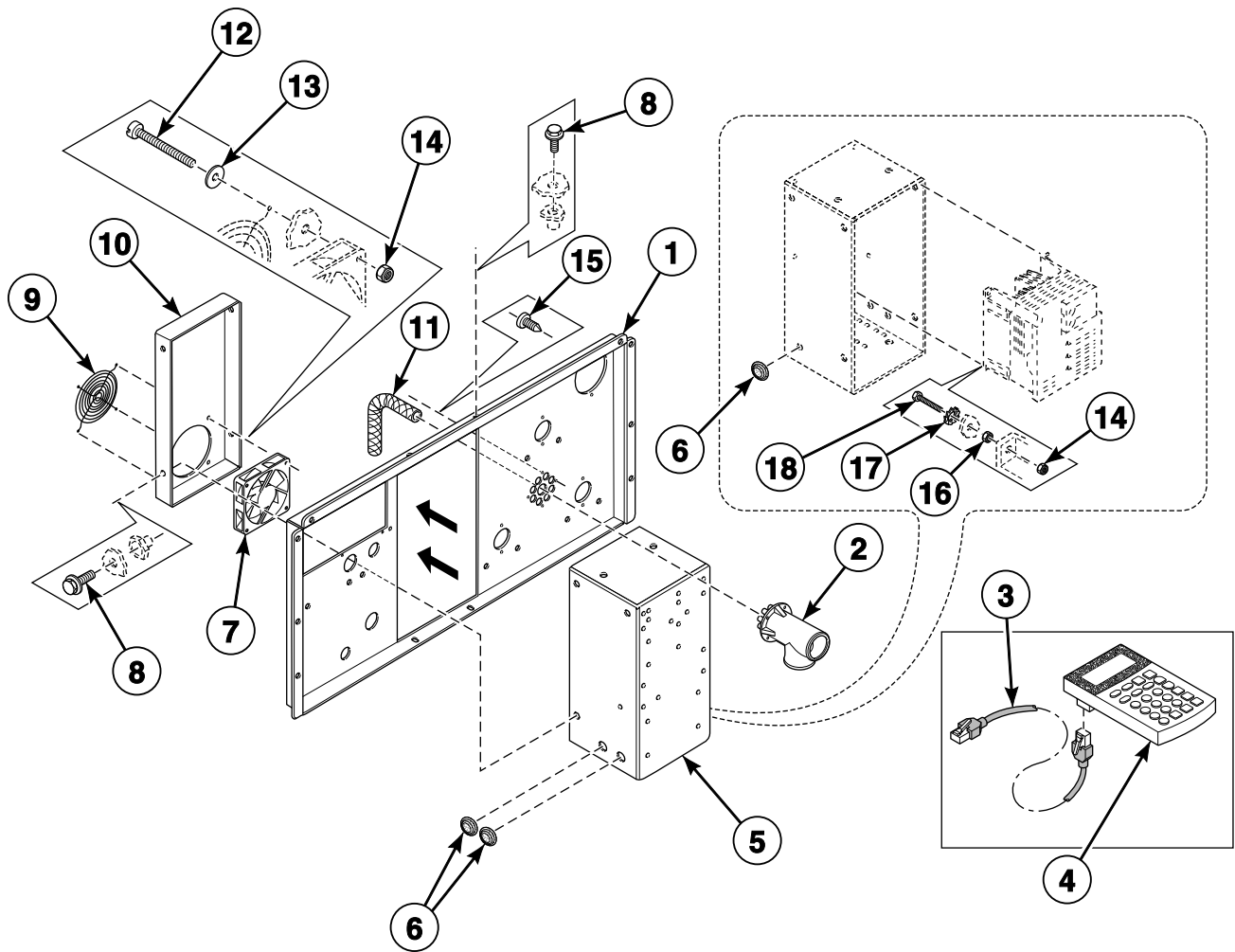


CFD489P\_D0902

## Left Side, Lower Front and Upper Back Panels

REF	PART NO.	DESCRIPTION	COMMENTS
1	206/00099/00	Bolt	
2	205/00106/00	Bolt	
3	202/00003/00	Washer	
4	117/00042/00	Retaining Ring	
5	203/00005/00	Washer	
6	204/00006/00	Nut	
7	208/00009/00	Washer	
8	207/00101/00	Screw	
9	111/00285/00	Lower Front Panel	
10	246/00079/00	Side Panel Gasket	
11	111/10089/00	Side Panel	*18, *65 and *75 models; Stainless steel
	111/10097/00	Side Panel	*25 and *100 models; Stainless steel
	111/10128/00	Side Panel	*12 and *60 models; Stainless steel
	111/60048/00	Side Panel	*12 and *60 models; Black
	111/60031/00	Side Panel	*18, *65 and *75 models; Black
	111/60034/00	Side Panel	*25 and *100 models; Black
12	101/00007/00	Outlet Pipe Plate Assembly	
13	204/00009/00	Nut	
14	201/00006/00	Washer	
15	203/00015/00	Washer	
16	208/00014/00	Screw	
17	208/00025/00	Nut	
18	111/01832/00	Backbridge	
19	206/00166/00	Screw	
20	155/00162/00	Crossbar Soap Dispenser	
21	B12421401	Washer	

# Inverter Drive - Models Through 2/22/09 (Drawing 1 of 2)



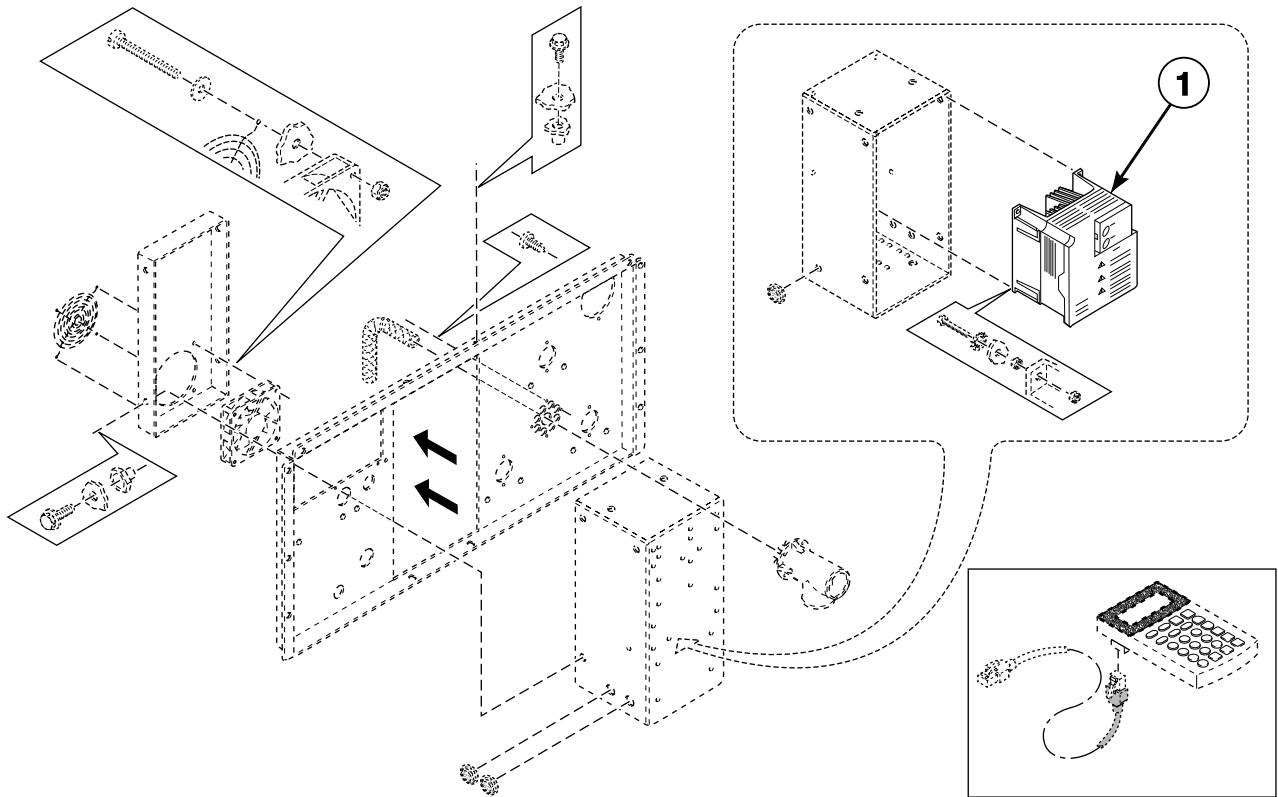
BE000575CP\_D0902

## Inverter Drive - Models Through 2/22/09 (Drawing 1 of 2)

REF	PART NO.	DESCRIPTION	COMMENTS
1	111/10426/90	Backbridge	
2	223/00250/00	Liquid Soap Manifold	
3	227/00171/10	Parameter Unit Program Cable	
4	227/00171/00	Parameter Unit Assembly	Hand held
	F8410901	Parameter Unit Assembly	E500 series; Inverter mounted
5	111/10425/00	Inverter Drive Box	Used with FR-E520 and FR-E540 series drivers
	111/10425/50	Inverter Drive Box	Used with FR-D720 and FR-D740 series drivers
6	223/00174/00	Grommet	
7	209/00465/00	Fan	
8	206/00099/00	Bolt	
9	209/00465/01	Fan Grill	
10	111/10425/11	Inverter Box Cover	For machines manufactured with a 520 or 540 series inverter and then converted to a 720 or 740 series
	111/10425/01	Inverter Box Cover	All other applications
11	223/00179/10	Pressure Hose	
12	207/00121/00	Screw	
13	202/00004/00	Washer	
14	204/00114/00	Nut	
15	208/00130/00	Screw	
16	204/00007/00	Nut	
17	203/00006/00	Washer	
18	206/00088/00	Bolt	



# Inverter Drive - Models Through 2/22/09 (Drawing 2 of 2)

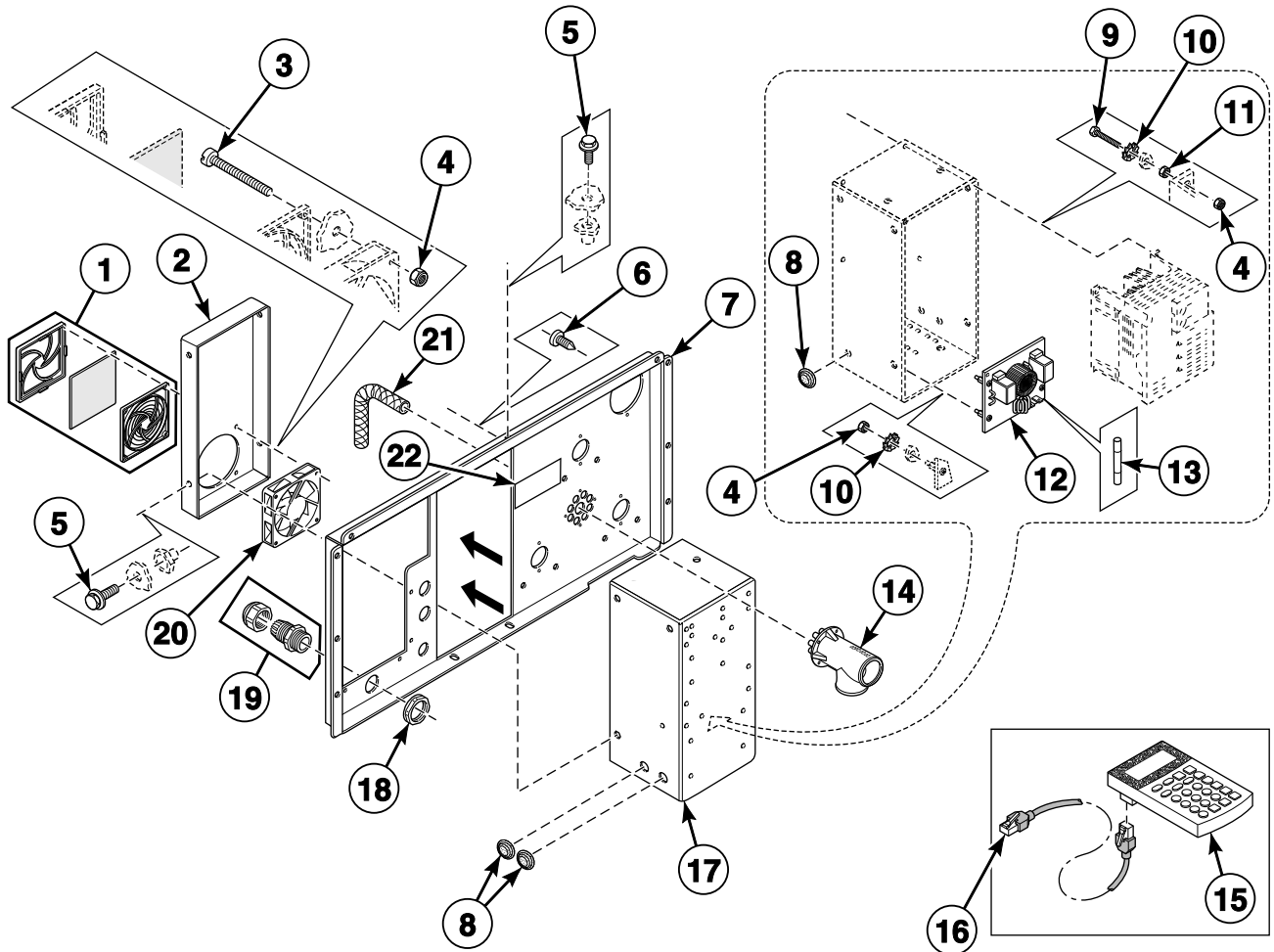


BE000575CPA\_D0902

## Inverter Drive - Models Through 2/22/09 (Drawing 2 of 2)

REF	PART NO.	DESCRIPTION	COMMENTS
1	227/00124/00	Inverter Drive	FR-E520 series; 1x230 Volt; .75 kW
	227/00166/00	Inverter	FR-E520 series; 1x230 Volt; .4 kW
	227/00167/00	Inverter Drive	FR-E540 series; 3x400 Volt
	227/00236/00	Inverter Drive	Cygnus models; FR-D740 series; 3x400 Volt
	227/00227/00	Inverter	*HC060 and HC60 Cygnus models; FR-D720 series; 1x230 Volt; .4 kW
	227/00228/00	Inverter Drive	HC65, *HC065, HC75, *HC075, HC100 and *HC100 Cygnus models; FR-D720 series; 1x230 Volt; .75 kW
	F8420801	Inverter Drive Kit	*HC012, HC60, and *HC060 non-Cygnus models; 200 Volt/1 Phase; Used with .55 kW motor; Used to convert from 500 to 700-series inverter drive; Includes F8420901 Inverter Drive, F8409501 Mounting Plate Assembly and F430903 Screw
	F8420901	Inverter Drive	*HC012, HC60, and *HC060 non-Cygnus models; 200 Volt/1 Phase; Used with .55 kW motor; 700-series inverter drive
	F8420802	Inverter Drive Kit	*HC012, HC60, and *HC060 non-Cygnus models; 400 Volt/3 Phase; Used with .75 kW motor; Used to convert from 500 to 700-series inverter drive; Includes F8420902 Inverter Drive, F8409501 Mounting Plate Assembly and F430903 Screw
	F8420902	Inverter Drive	*HC012, HC60, and *HC060 non-Cygnus models; 400 Volt/3 Phase; Used with .75 kW motor; 700-series inverter drive
	F8420803	Inverter Drive Kit	HC65 and IHC065 non-Cygnus models; 200 Volt/1 Phase; Used with .75 kW motor; Used to convert from 500 to 700-series inverter drive; Includes F8420903 Inverter Drive, 111/10425/11 Inverter Box Cover, F8409501 Mounting Plate Assembly and F430903 Screw
	F8420903	Inverter Drive	HC65 and IHC065 non-Cygnus models; 200 Volt/1 Phase; Used with .75 kW motor; 700-series inverter drive
	F8420804	Inverter Drive Kit	HC65 and IHC065 non-Cygnus models; 400 Volt/3 Phase; Used with .75 kW motor; Used to convert from 500 to 700-series inverter drive; Includes F8420904 Inverter Drive, F8409501 Mounting Plate Assembly and F430903 Screw
	F8420904	Inverter Drive	HC65 and IHC065 non-Cygnus models; 400 Volt/3 Phase; Used with .75 kW motor; 700-series inverter drive
	F8420805	Inverter Drive Kit	*HC018, *HC075 and HC75 non-Cygnus models; 200 Volt/1 Phase; Used with .75 kW motor; Used to convert from 500 to 700-series inverter drive; Includes F8420905 Inverter Drive, 111/10425/11 Inverter Box Cover, F8409501 Mounting Plate Assembly and F430903 Screw
	F8420905	Inverter Drive	*HC018, *HC075 and HC75 non-Cygnus models; 200 Volt/1 Phase; Used with .75 kW motor; 700-series inverter drive
	F8420806	Inverter Drive Kit	*HC018, *HC075 and HC75 non-Cygnus models; 400 Volt/3 Phase; Used with .75 kW motor; Used to convert from 500 to 700-series inverter drive; Includes F8420906 Inverter Drive, F8409501 Mounting Plate Assembly and F430903 Screw
	F8420906	Inverter Drive	*HC018, *HC075 and HC75 non-Cygnus models; 400 Volt/3 Phase; Used with .75 kW motor; 700-series inverter drive
	F8420807	Inverter Drive Kit	*HC025 and *HC100 non-Cygnus models; 200 Volt/1 Phase; Used with .75 kW motor; Used to convert from 500 to 700-series inverter drive; Includes F8420907 Inverter Drive, F8409501 Mounting Plate Assembly and F430903 Screw
	F8420907	Inverter Drive	*HC025 and *HC100 non-Cygnus models; 200 Volt/1 Phase; Used with .75 kW motor; 700-series inverter drive
	F8420808	Inverter Drive Kit	*HC025 and *HC100 non-Cygnus models; 400 Volt/3 Phase; Used with .75 kW motor; Used to convert from 500 to 700-series inverter drive; Includes F8420908 Inverter Drive, F8409501 Mounting Plate Assembly and F430903 Screw
	F8420908	Inverter Drive	*HC025 and *HC100 non-Cygnus models; 400 Volt/3 Phase; Used with .75 kW motor; 700-series inverter drive

# Inverter Drive - Models Starting 2/23/09 (Drawing 1 of 2)

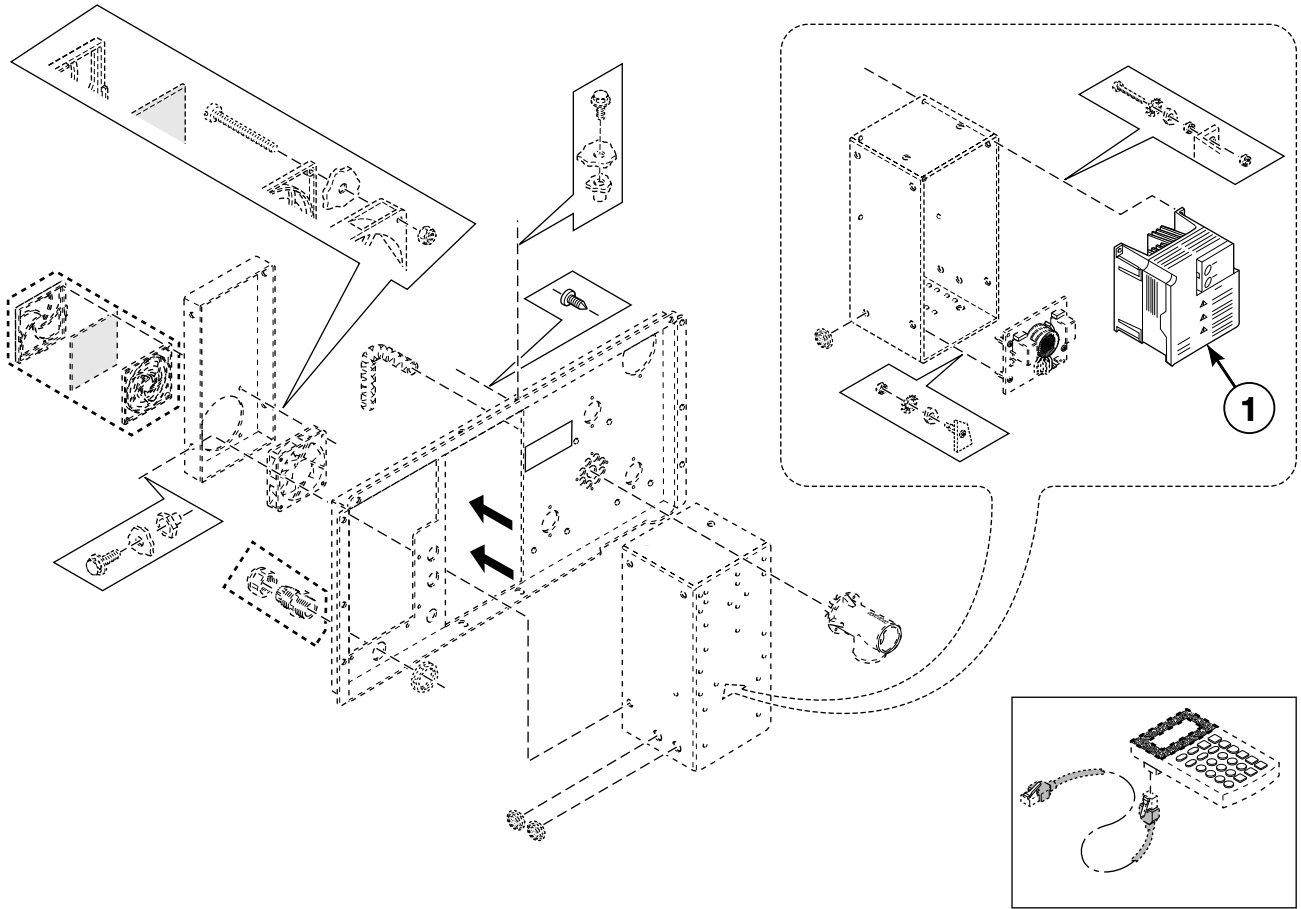


CFD503P\_D0902

## Inverter Drive - Models Starting 2/23/09 (Drawing 1 of 2)

REF	PART NO.	DESCRIPTION	COMMENTS
1	209/00465/11	Fan Filter	Includes filter and holder
	209/00465/21	Filter	Filter only
2	111/10425/11	Inverter Box Cover	For machines manufactured with a 520 or 540 series inverter and then converted to a 720 or 740 series
	111/10425/01	Inverter Box Cover	All other applications
3	207/00021/00	Screw	
4	204/00114/00	Nut	
5	206/00099/00	Bolt	
6	208/00130/00	Screw	
7	111/01832/00	Backbridge	
8	223/00174/00	Grommet	
9	206/00088/00	Bolt	
10	203/00006/00	Washer	
11	204/00007/00	Nut	
12	227/00177/00	Filter	16A1; Models through 3/09
	B12339301	Noise Filter	16A1; Models starting 4/09
	B12339401	Noise Filter	30A1
	227/00242/00	Noise Filter	8A3
	227/00162/00	Noise Filter	15A3
	227/00163/00	Noise Filter	27A3
	B12331701	Filter	55A3
	B12352301	Filter	64A3
13	209/00468/00	Fuse	3.15 A
14	223/00250/00	Liquid Soap Manifold	
15	227/00171/00	Parameter Unit Assembly	Hand held
	F8410901	Parameter Unit Assembly	E500 series; Inverter mounted
16	227/00171/10	Parameter Unit Program Cable	
17	111/10425/00	Inverter Drive Box	Used with FR-E520 and FR-E540 series drivers
	111/10425/50	Inverter Drive Box	Used with FR-D720 and FR-D740 series drivers
18	211/00171/00	Nut	
19	211/00182/00	Nut	
20	209/00465/00	Fan	
21	223/00179/10	Pressure Hose	
22	B12355001	Voltage Discharge Decal	

# Inverter Drive - Models Starting 2/23/09 (Drawing 2 of 2)

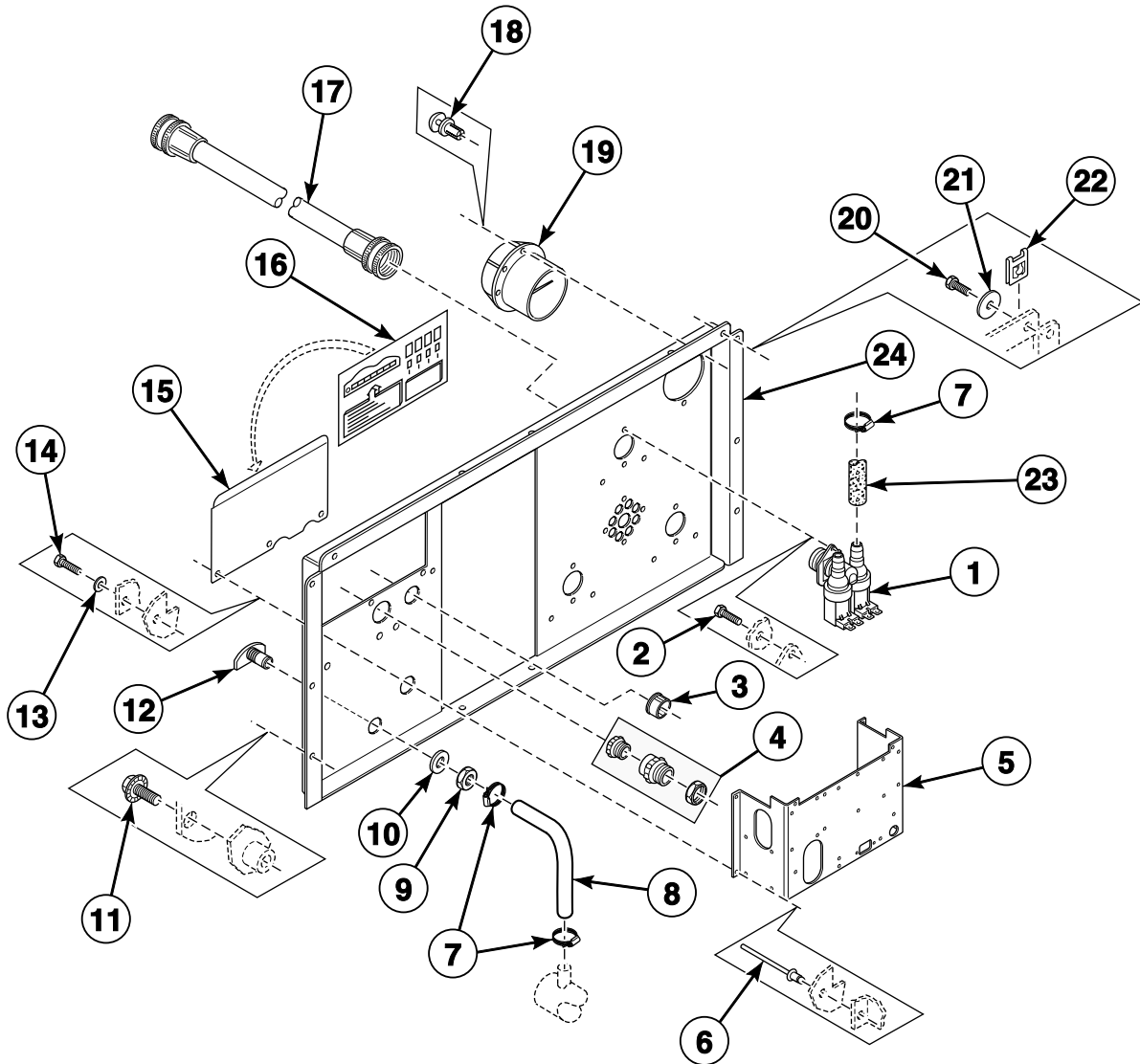


CFS1950PA\_D0902

## Inverter Drive - Models Starting 2/23/09 (Drawing 2 of 2)

REF	PART NO.	DESCRIPTION	COMMENTS
1	227/00227/00	Inverter	FR-E520 series; 1x230 Volt; .4 kW
	227/00167/00	Inverter Drive	FR-E540 series; 3x400 Volt
	227/00228/00	Inverter Drive	FR-E520 series; 1x230 Volt; .75 kW
	227/00236/00	Inverter Drive	Cygnus models; FR-D740 series; 3x400 Volt
	227/00227/00	Inverter	*HC060 and HC60 Cygnus models; FR-D720 series; 1x230 Volt; .4 kW
	227/00228/00	Inverter Drive	*HC065, *HC075, *HC100, HC65 and HC75 Cygnus models; FR-D720 series; 1x230 Volt; .75 kW
	F8420801	Inverter Drive Kit	*HC012, *HC060 and HC60 non-Cygnus models; 200 Volt/1 Phase; Used with .55 kW motor; Used to convert from 500 to 700-series inverter drive; Includes F8420901 Inverter Drive, F8409501 Mounting Plate Assembly and F430903 Screw
	F8420901	Inverter Drive	*HC012, *HC060 and HC60 non-Cygnus models; 200 Volt/1 Phase; Used with .55 kW motor; 700-series inverter drive
	F8420802	Inverter Drive Kit	*HC012, *HC060 and HC60 non-Cygnus models; 400 Volt/3 Phase; Used with .75 kW motor; Used to convert from 500 to 700-series inverter drive; Includes F8420902 Inverter Drive, F8409501 Mounting Plate Assembly and F430903 Screw
	F8420902	Inverter Drive	*HC012, *HC060 and HC60 non-Cygnus models; 400 Volt/3 Phase; Used with .75 kW motor; 700-series inverter drive
	F8420803	Inverter Drive Kit	HC65 and IHC065 non-Cygnus models; 200 Volt/1 Phase; Used with .75 kW motor; Used to convert from 500 to 700-series inverter drive; Includes F8420903 Inverter Drive, 111/10425/11 Inverter Box Cover, F8409501 Mounting Plate Assembly and F430903 Screw
	F8420903	Inverter Drive	HC65 and IHC065 non-Cygnus models; 200 Volt/1 Phase; Used with .75 kW motor; 700-series inverter drive
	F8420804	Inverter Drive Kit	HC65 and IHC065 non-Cygnus models; 400 Volt/3 Phase; Used with .75 kW motor; Used to convert from 500 to 700-series inverter drive; Includes F8420904 Inverter Drive, F8409501 Mounting Plate Assembly and F430903 Screw
	F8420904	Inverter Drive	HC65 and IHC065 non-Cygnus models; 400 Volt/3 Phase; Used with .75 kW motor; 700-series inverter drive
	F8420805	Inverter Drive Kit	*HC018, *HC075 and HC75 non-Cygnus models; 200 Volt/1 Phase; Used with .75 kW motor; Used to convert from 500 to 700-series inverter drive; Includes F8420905 Inverter Drive, 111/10425/11 Inverter Box Cover, F8409501 Mounting Plate Assembly and F430903 Screw
	F8420905	Inverter Drive	*HC018, *HC075 and HC75 non-Cygnus models; 200 Volt/1 Phase; Used with .75 kW motor; 700-series inverter drive
	F8420806	Inverter Drive Kit	*HC018, *HC075 and HC75 non-Cygnus models; 400 Volt/3 Phase; Used with .75 kW motor; Used to convert from 500 to 700-series inverter drive; Includes F8420906 Inverter Drive, F8409501 Mounting Plate Assembly and F430903 Screw
	F8420906	Inverter Drive	*HC018, *HC075 and HC75 non-Cygnus models; 400 Volt/3 Phase; Used with .75 kW motor; 700-series inverter drive
	F8420807	Inverter Drive Kit	*HC025 and *HC100 non-Cygnus models; 200 Volt/1 Phase; Used with .75 kW motor; Used to convert from 500 to 700-series inverter drive; Includes F8420907 Inverter Drive, F8409501 Mounting Plate Assembly and F430903 Screw
	F8420907	Inverter Drive	*HC025 and *HC100 non-Cygnus models; 200 Volt/1 Phase; Used with .75 kW motor; 700-series inverter drive
	F8420808	Inverter Drive Kit	*HC025 and *HC100 non-Cygnus models; 400 Volt/3 Phase; Used with .75 kW motor; Used to convert from 500 to 700-series inverter drive; Includes F8420908 Inverter Drive, F8409501 Mounting Plate Assembly and F430903 Screw
	F8420908	Inverter Drive	*HC025 and *HC100 non-Cygnus models; 400 Volt/3 Phase; Used with .75 kW motor; 700-series inverter drive

# Upper Back Panel with Circular Ventilation - Models Through 12/31/05



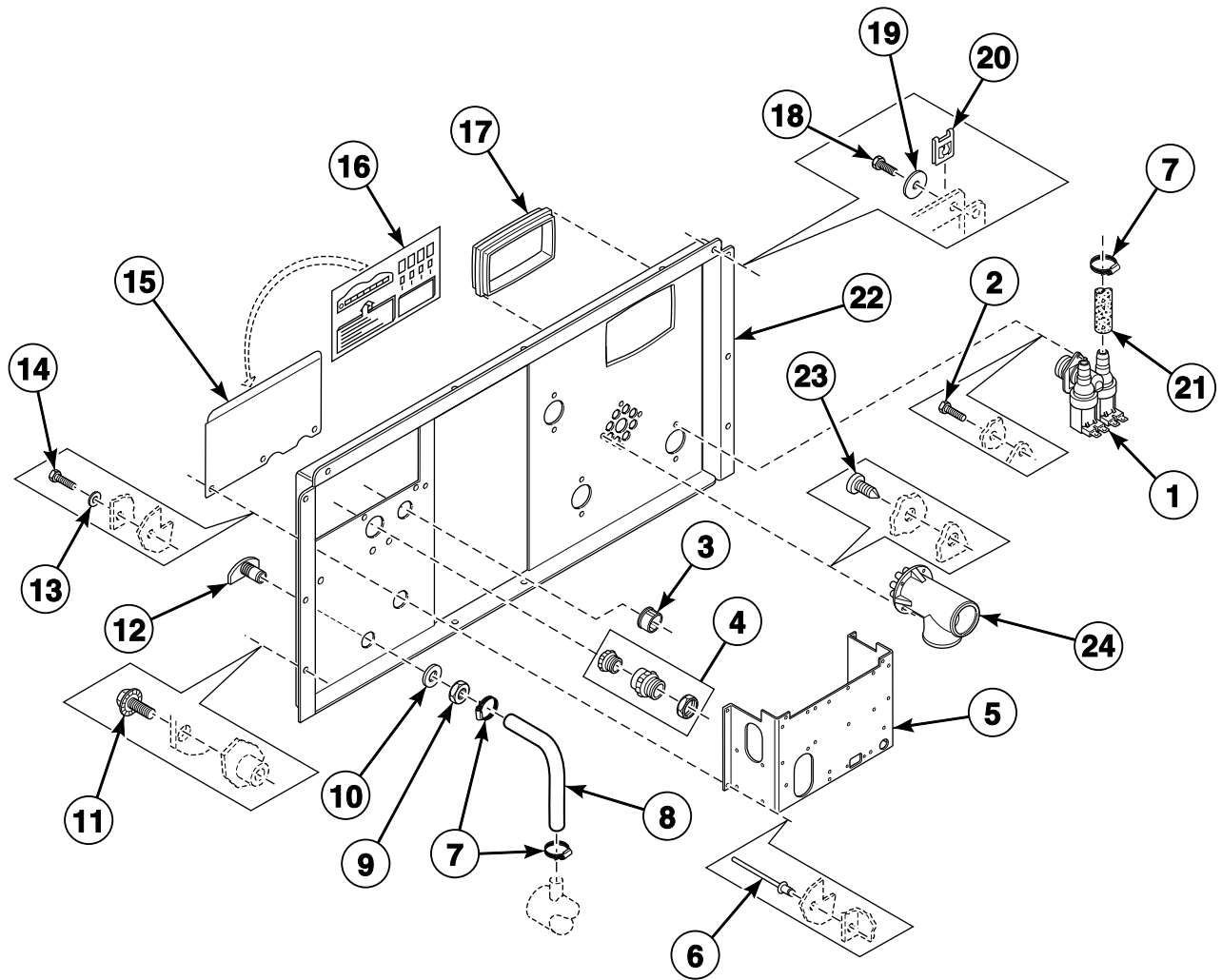
CFD329P\_D0902

## Upper Back Panel with Circular Ventilation - Models Through 12/31/05

REF	PART NO.	DESCRIPTION	COMMENTS
1	209/00110/00	2-Way Inlet Valve	Metric thread
	B12519501	2-Way Inlet Valve	Standard thread; G581P3 Repair Kit
2	206/00027/00	Bolt	
3	211/00091/00	Plug	
4	211/00168/00	Cordlock	
5	111/00188/06	Electrical Connection Plate	
6	208/00017/00	Rivet	
7	F200205	Hose Clamp	
8	223/00044/00	Water Hose	
9	204/00201/00	Nut	
10	201/00002/00	Washer	
11	206/00099/00	Bolt	
12	223/00001/04	Prewash and Mainwash Nozzle	
13	202/00004/00	Washer	
14	206/00014/00	Bolt	
15	111/00094/10	Electrical Connection Plate	
16	229/00068/02	Electrical Connection Sticker	
17	F200164	Water Hose	Standard thread
	F200166	Water Hose	Metric thread
18	211/00093/00	Rivet	
19	223/00102/07	Hose Vent	
20	208/00014/00	Screw	
21	201/00006/00	Washer	
22	208/00002/00	Nut	
23	223/00044/01	Water Hose	
24	111/10426/90	Backbridge	



# Upper Back Panel with Rectangular Ventilation - Models Through 12/31/05

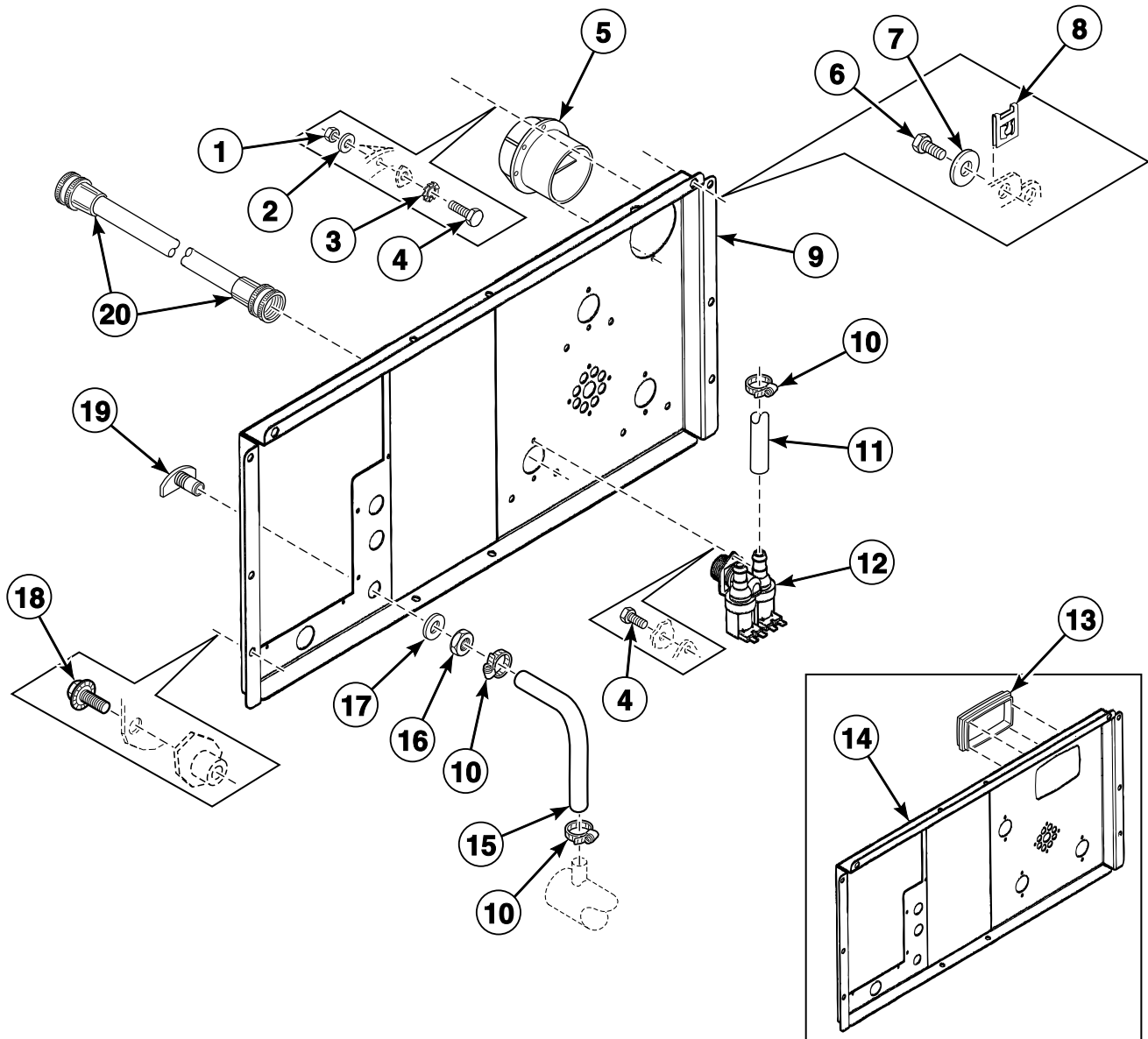


BE000580P\_D0902

## Upper Back Panel with Rectangular Ventilation - Models Through 12/31/05

REF	PART NO.	DESCRIPTION	COMMENTS
1	209/00110/00	2-Way Inlet Valve	Metric thread
	B12519501	2-Way Inlet Valve	Standard thread; G581P3 Repair Kit
2	206/00027/00	Bolt	
3	211/00091/00	Plug	
4	211/00168/00	Cordlock	
5	111/00188/06	Electrical Connection Plate	
6	208/00017/00	Rivet	
7	F200205	Hose Clamp	
8	223/00044/00	Water Hose	
9	204/00201/00	Nut	
10	201/00002/00	Washer	
11	206/00099/00	Bolt	
12	223/00001/04	Prewash and Mainwash Nozzle	
13	202/00004/00	Washer	
14	206/00014/00	Bolt	
15	111/00094/10	Electrical Connection Plate	
16	229/00068/02	Electrical Connection Sticker	
17	223/00226/00	Vent Tube	
18	208/00014/00	Screw	
19	201/00006/00	Washer	
20	208/00002/00	Nut	
21	223/00044/01	Water Hose	
22	111/10426/90	Backbridge	
23	B12350903	Screw	
24	223/00250/00	Liquid Soap Manifold	

# Upper Back Panel - Models Starting 1/1/06

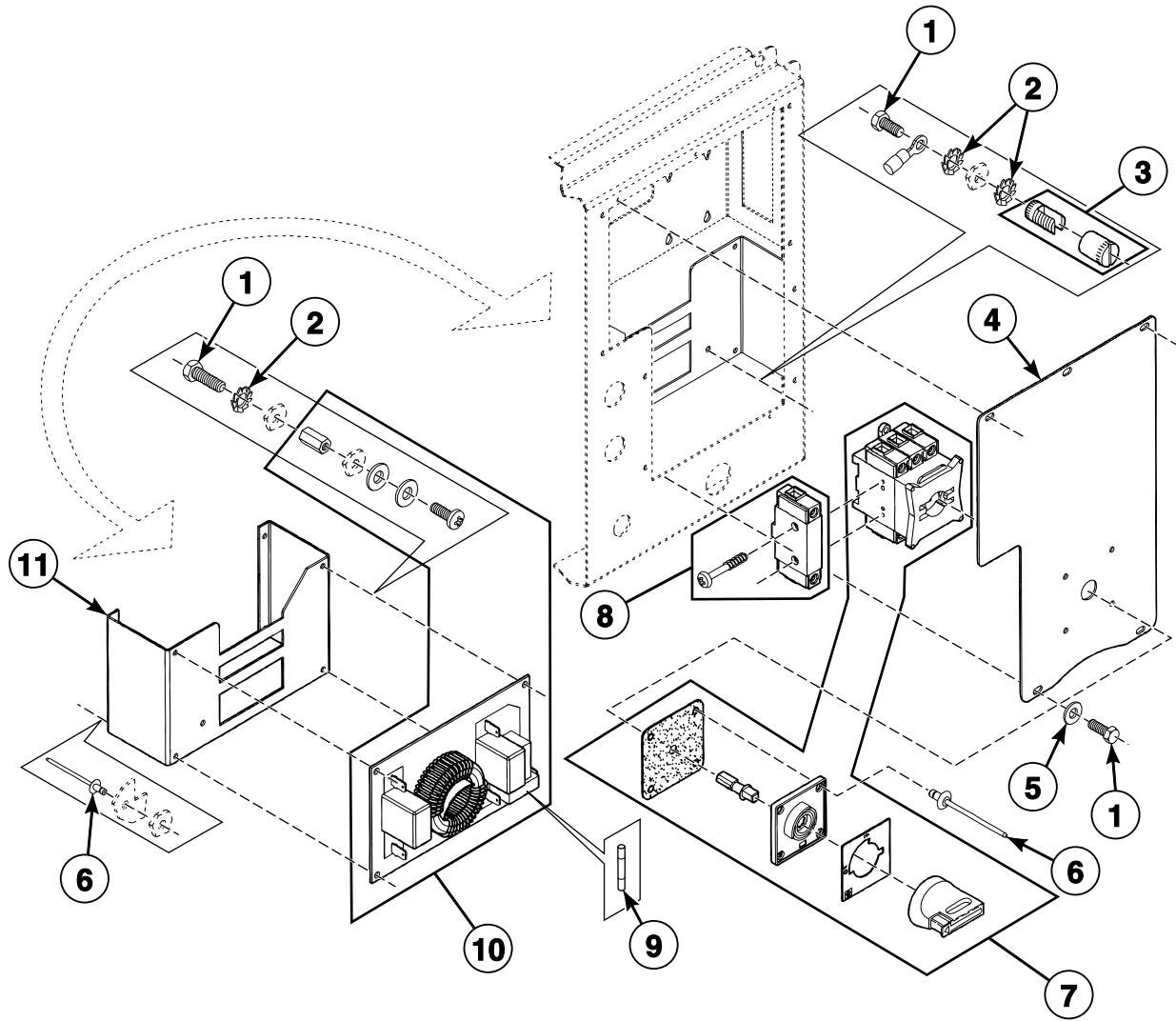


CFD328P\_D0902

## Upper Back Panel - Models Starting 1/1/06

REF	PART NO.	DESCRIPTION	COMMENTS
1	204/00007/00	Nut	
2	202/00004/00	Washer	
3	203/00006/00	Washer	
4	206/00027/00	Bolt	
5	223/00102/07	Hose Vent	
6	208/00014/00	Screw	
7	201/00006/00	Washer	
8	208/00002/00	Nut	
9	111/01832/00	Backbridge	Circular ventilation
10	F200205	Hose Clamp	
11	223/00044/00	Water Hose	
12	209/00110/00	2-Way Inlet Valve	Metric thread
	B12519501	2-Way Inlet Valve	Standard thread; G581P3 Repair Kit
13	223/00226/00	Vent Tube	
14	111/01832/10	Upper Backpanel	Rectangular ventilation
15	223/00044/01	Water Hose	
16	204/00201/00	Nut	
17	201/00002/00	Washer	
18	206/00099/00	Bolt	
19	223/00001/04	Prewash and Mainwash Nozzle	
20	F200164	Water Hose	Standard thread
	F200166	Water Hose	Metric thread

# Main Switch and Noise Filter

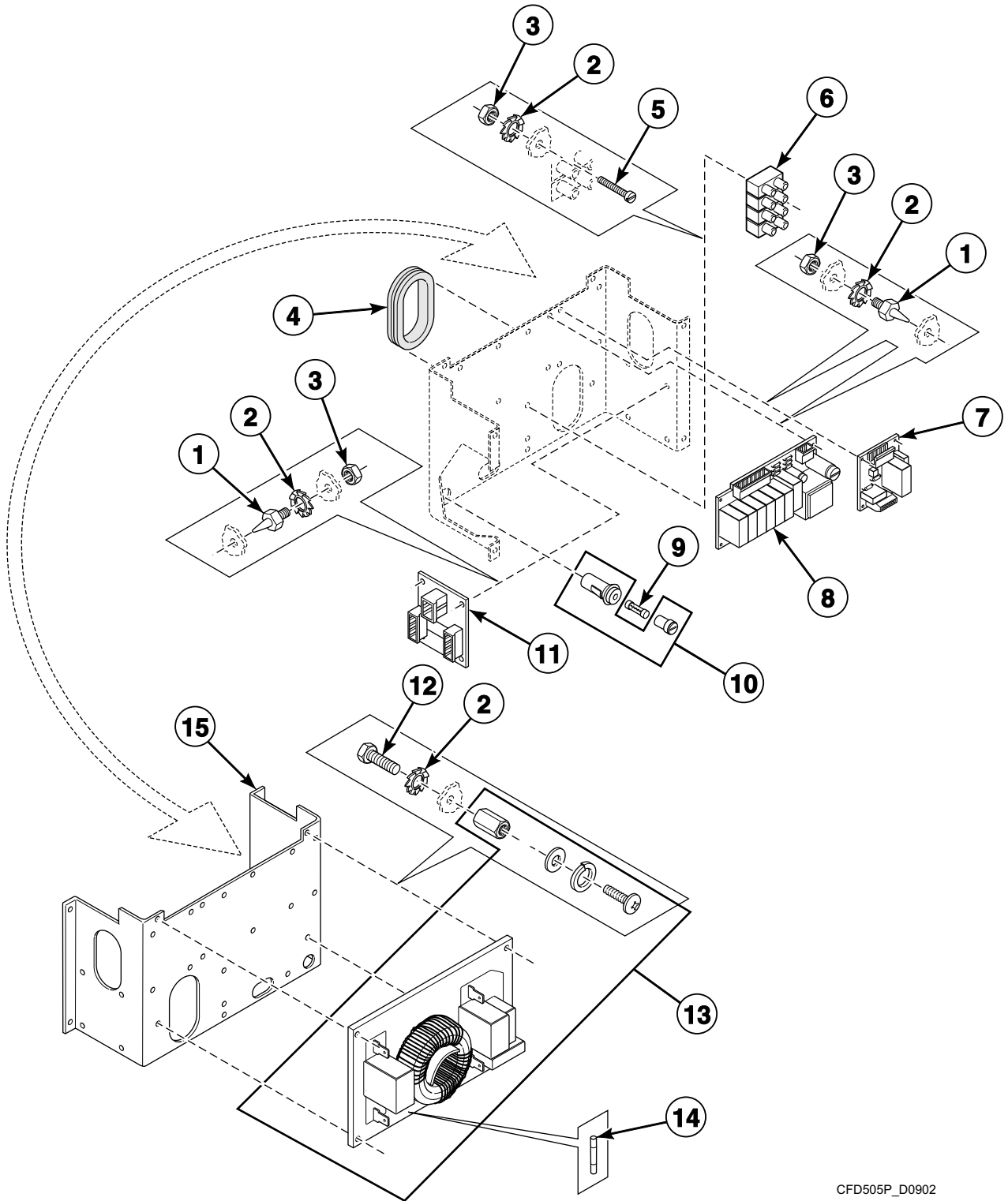


CFD504P\_D0902

## Main Switch and Noise Filter

REF	PART NO.	DESCRIPTION	COMMENTS
1	206/00027/00	Bolt	
2	203/00006/00	Washer	
3	209/00006/01	Ground Terminal	
4	111/01834/00	Main Switch Cover	
5	202/00004/00	Washer	
6	208/00017/00	Rivet	
7	209/00529/00	Main Switch	25A
	209/00672/00	Main Switch	40A
	209/00526/00	Main Switch	80A
8	209/00530/00	Terminal Block	25A
	209/00527/00	Terminal Block	63/80A
9	B12389501	Fuse	3.15 A; Used with 227/00242/00 Filter
10	227/00177/00	Filter	16A1; Models starting 11/03 through 3/09
	B12339301	Noise Filter	16A1; Models starting 4/09
	B12339401	Noise Filter	30A1
	227/00242/00	Noise Filter	8A3
	227/00162/00	Noise Filter	15A3
	227/00163/00	Noise Filter	27A3
	B12331701	Filter	55A3
	B12352301	Filter	64A3
11	111/01837/01	Filter Bracket	

# Soap Injection Printboard, Network Connection Printboard and Noise Filter - Sigma, PS40F and Micro-20



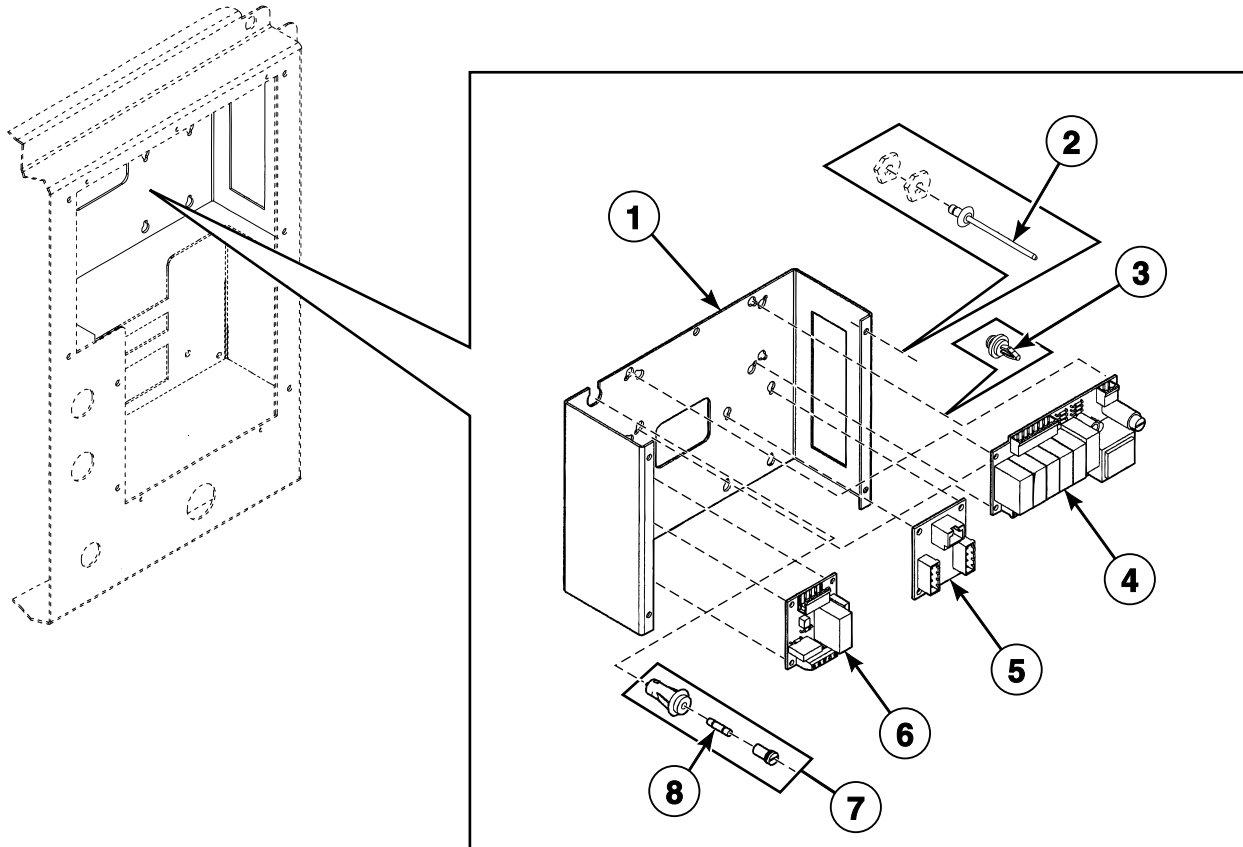
CFD505P\_D0902

## Soap Injection Printboard, Network Connection Printboard and Noise Filter - Sigma, PS40F and Micro-20

REF	PART NO.	DESCRIPTION	COMMENTS
1	211/00120/00	Standoff	
2	203/00006/00	Washer	
3	204/00007/00	Nut	
4	223/00203/00	Grommet	
5	207/00031/00	Screw	
6	209/00058/00	Terminal Block	
7	209/00438/50	Central Control Board	
8	209/00218/13	Soap Injection PCB with Fuse	
9	209/00468/00	Fuse	3 Amp
10	209/00202/00	Fuse Holder	
	209/00202/01	Fuse Holder	Includes item 9
11	209/00540/01	Network Connection Printboard	
12	206/00027/00	Bolt	
13	227/00177/00	Filter	16A1; Models starting 11/03 through 3/09
	B12339301	Noise Filter	16A1; Models starting 4/09
	B12339401	Noise Filter	30A1
	227/00242/00	Noise Filter	8A3
	227/00162/00	Noise Filter	15A3
	227/00163/00	Noise Filter	27A3
	B12331701	Filter	55A3
	B12352301	Filter	64A3
	14	B12389501	Fuse
15	111/00188/06	Electrical Connection Plate	



# Central Operating Panel, Network Connection and Soap Injection Printboards - Cygnus Models

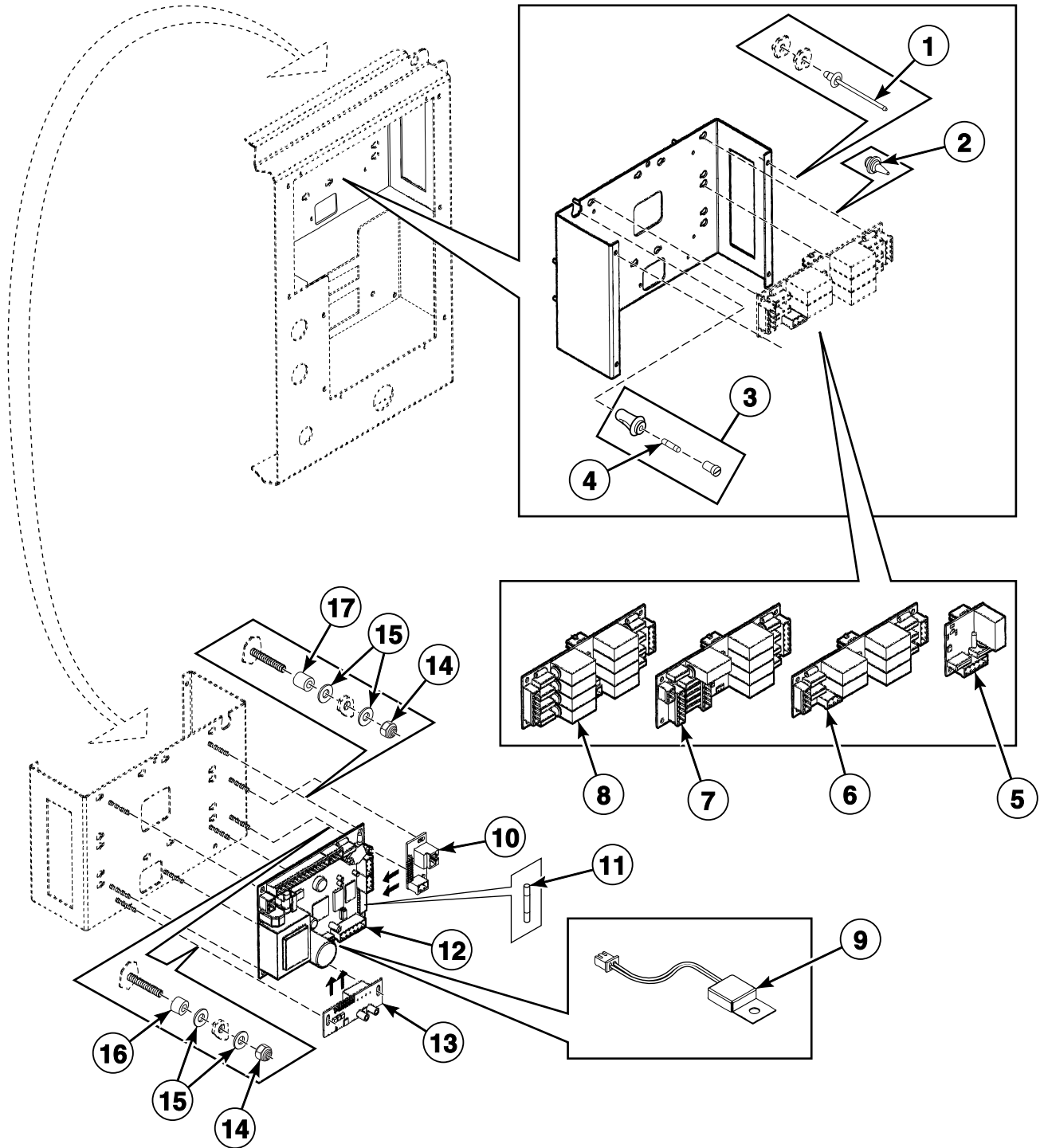


BE000800P\_D0902

## Central Operating Panel, Network Connection and Soap Injection Printboards - Cygnus Models

REF	PART NO.	DESCRIPTION	COMMENTS
1	111/01838/10	Printboard Support	
2	208/00017/00	Rivet	
3	211/00146/00	Standoff	
4	209/00218/13	Soap Injection PCB with Fuse	
5	209/00540/01	Network Connection Printboard	
6	209/00438/50	Central Control Board	
7	209/00202/00	Fuse Holder	
	209/00202/01	Fuse Holder	Includes item 8
8	209/00468/00	Fuse	3 Amp

# Relay, Network Connection and Main Printboards - Cygnus Models

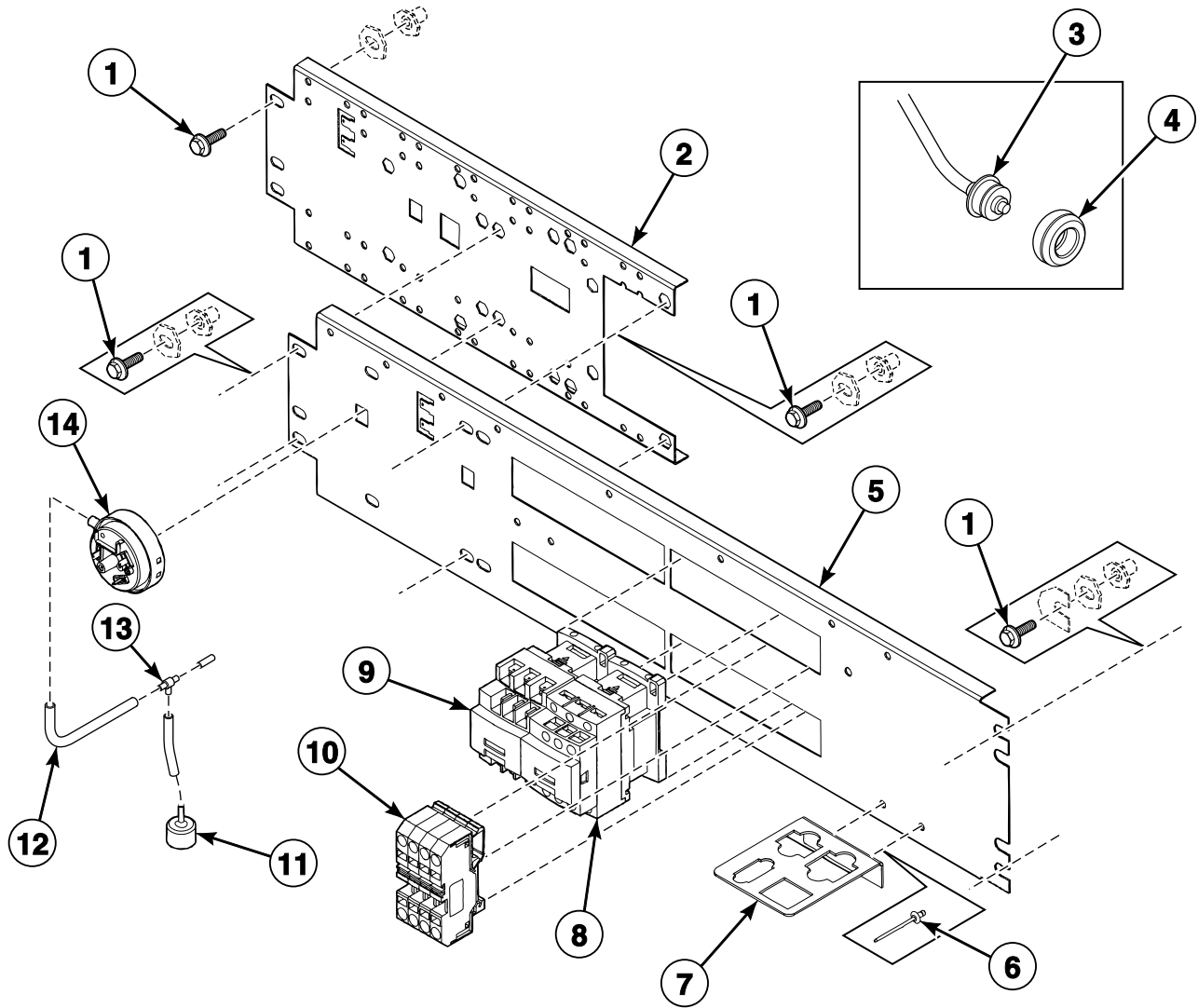


CFD502P\_D0902

## Relay, Network Connection and Main Printboards - Cygnus Models

REF	PART NO.	DESCRIPTION	COMMENTS
1	208/00017/00	Rivet	
2	211/00146/00	Standoff	
3	209/00202/00	Fuse Holder	
	209/00202/01	Fuse Holder	Includes item 4
4	209/00468/00	Fuse	3 Amp
5	209/02016/00	Relay PC-Board	
6	209/02005/00	Detergent PC-Board	
7	209/02014/00	Relay PC-Board	
8	209/02008/00	Detergent PC-Board	
9	209/02020/00	ID Chip	
10	209/02006/00	Inverter PC-Board	
11	209/00372/01	Fuse	125 mA; Used with 209/02000/25 Microprocessor
	B12360001	Fuse	1.25 mA; Used with 209/02025/00 Microprocessor
12	209/02025/00	Microprocessor	
13	209/02007/00	Network Connection Printboard	
14	204/00116/00	Nut	
15	223/00123/00	Washer	
16	211/00128/00	Printboard Separator	
17	211/00122/00	Standoff	

# Electrical Component Mounting Plate - Models Through 2/22/09

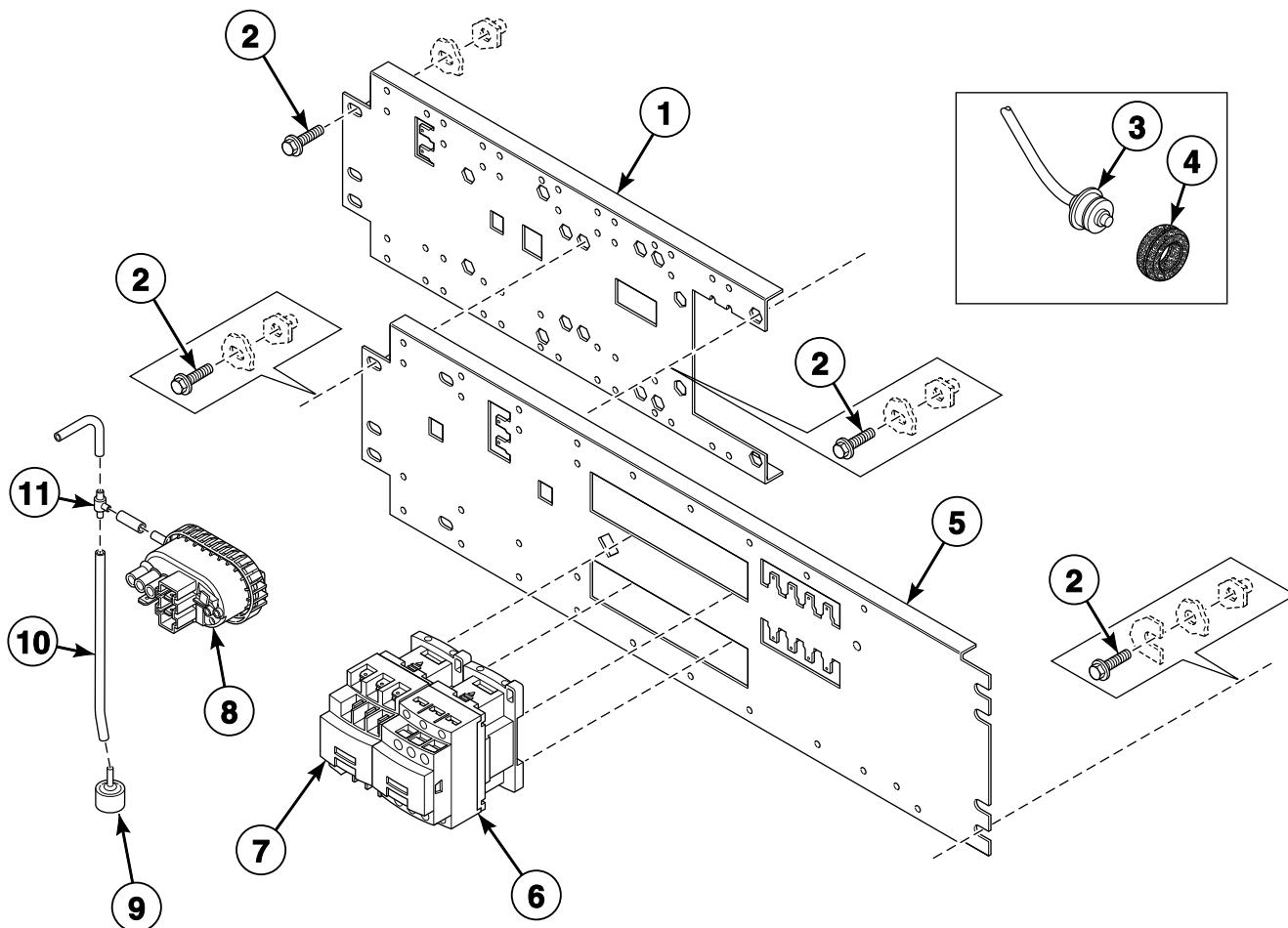


BE000802P\_D0902

## Electrical Component Mounting Plate - Models Through 2/22/09

REF	PART NO.	DESCRIPTION	COMMENTS
1	206/00099/00	Bolt	
2	111/10003/40	Electrical Component Mounting Plate	
3	210/00214/00	Thermostat	Cygnus control models
	210/01064/16	Thermostat	All other models
4	225/10004/00	Thermostat Seal	
5	111/10003/30	Electrical Component Mounting Plate	
6	208/00017/00	Rivet	
7	111/10003/10	Support Connector	
8	209/06148/02	Heating Contactor	LC1D18P7
9	209/00641/04	Heating Contactor	LC1D0901M7
10	209/00619/00	Overload Contactor	2 pole; 6 mm; Gray
	209/00620/00	Overload Contactor	2 pole; 6 mm; Blue
	209/00621/00	Overload Contactor	3 pole; 6 mm; Blue
	209/00622/00	Overload Contactor	3 pole; 6 mm; Gray
	209/00623/00	Overload Contactor	2 pole; 10 mm; Gray
	209/00624/00	Overload Contactor	2 pole; 10 mm; Blue
	209/00625/00	Overload Contactor	3 pole; 10 mm; Gray
	209/00619/01	Connection Clamp	2 pole; 6 mm
	209/00622/01	Connection Clamp	3 pole; 6 mm
	209/00625/01	Connection Clamp	3 pole; 10 mm
11	223/00035/02	Pressure Switch Cap	
12	223/00333/00	Pressure Hose	
13	223/00173/10	Pressure Switch Hose Tee	
14	209/00027/10	Pressure Switch	

# Electrical Component Mounting Plate - Models Starting 2/23/09



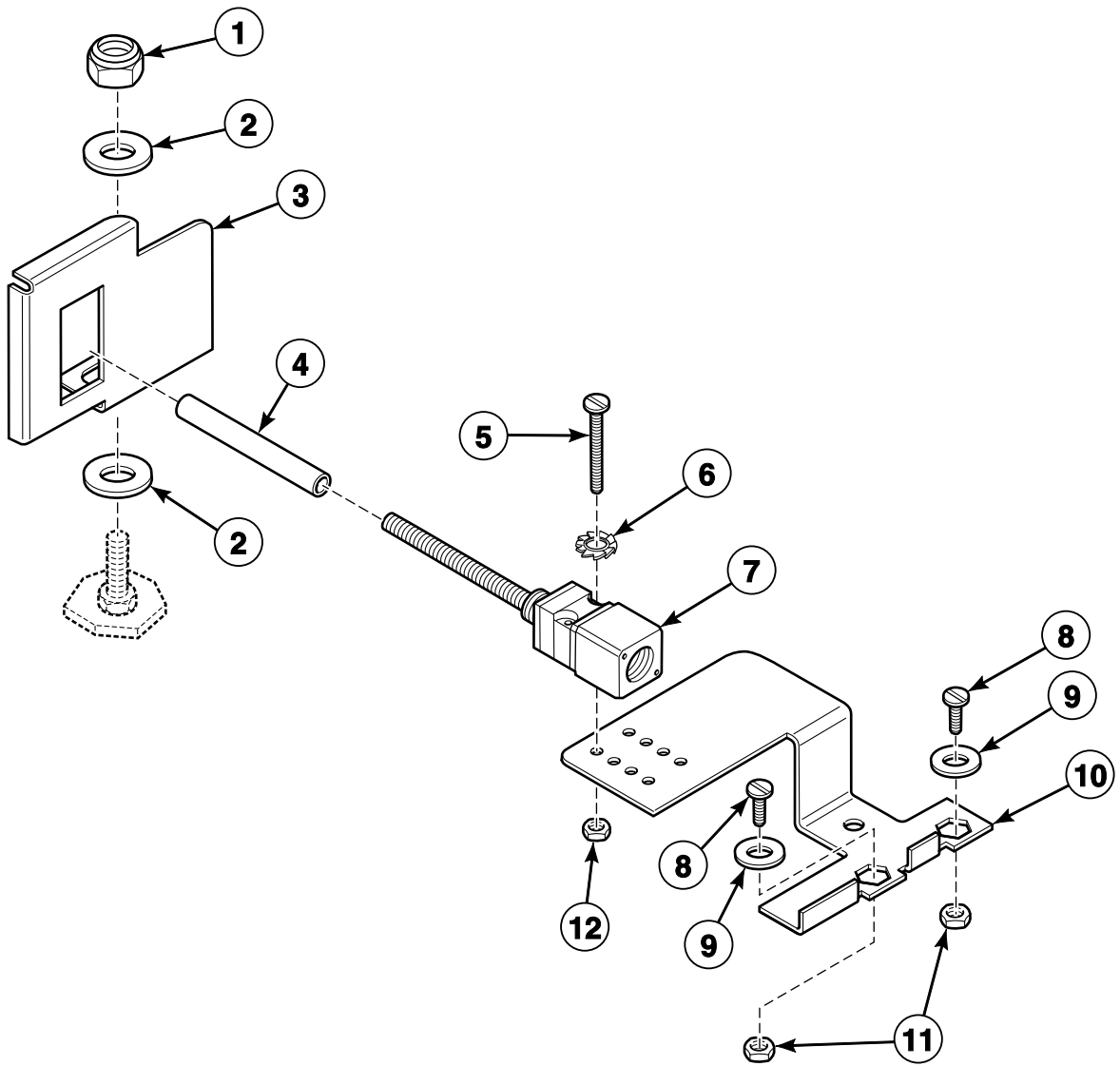
BE000802AP\_D0902

## Electrical Component Mounting Plate - Models Starting 2/23/09

REF	PART NO.	DESCRIPTION	COMMENTS
1	111/10003/40	Electrical Component Mounting Plate	
2	206/00099/00	Bolt	
3	210/00214/00	Thermostat	Cygnus control models
	210/01064/16	Thermostat	All other models
4	225/10004/00	Thermostat Seal	
5	111/10003/50	Electrical Component Bridge	
6	209/06148/02	Heating Contactor	LC1D18P7
7	209/00641/04	Heating Contactor	LC1D0901M7
8	209/00027/10	Pressure Switch	
9	223/00035/02	Pressure Switch Cap	
10	223/00333/00	Pressure Hose	
11	223/00173/10	Pressure Switch Hose Tee	



# Balance Switch

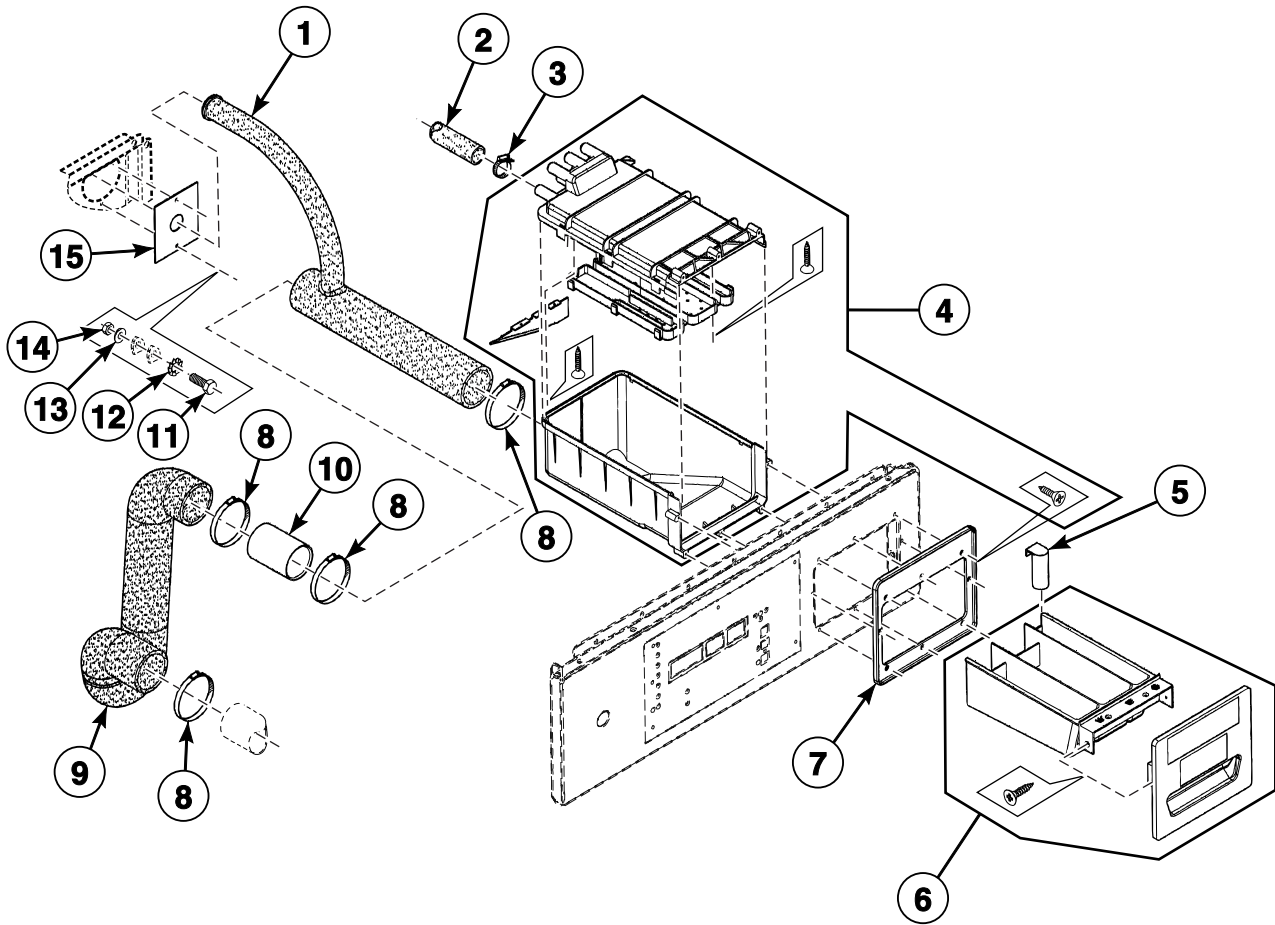


CFD544P\_D0902

# Balance Switch

REF	PART NO.	DESCRIPTION	COMMENTS
1	204/00110/00	Nut	
2	201/00010/00	Washer	
3	111/01854/00	Tilt Detector Plate	
4	223/00246/00	Out-of-Balance Switch Boot	
5	207/00018/00	Screw	
6	203/00006/00	Washer	
7	209/00255/00	Out-of-Balance Switch	
8	B12484601	Bolt	
9	201/00006/00	Washer	
10	111/01855/00	Tilt Switch Support	
11	204/00005/00	Nut	
12	204/00007/00	Nut	

# Supply Dispenser - Models with Frontal Supply Dispenser

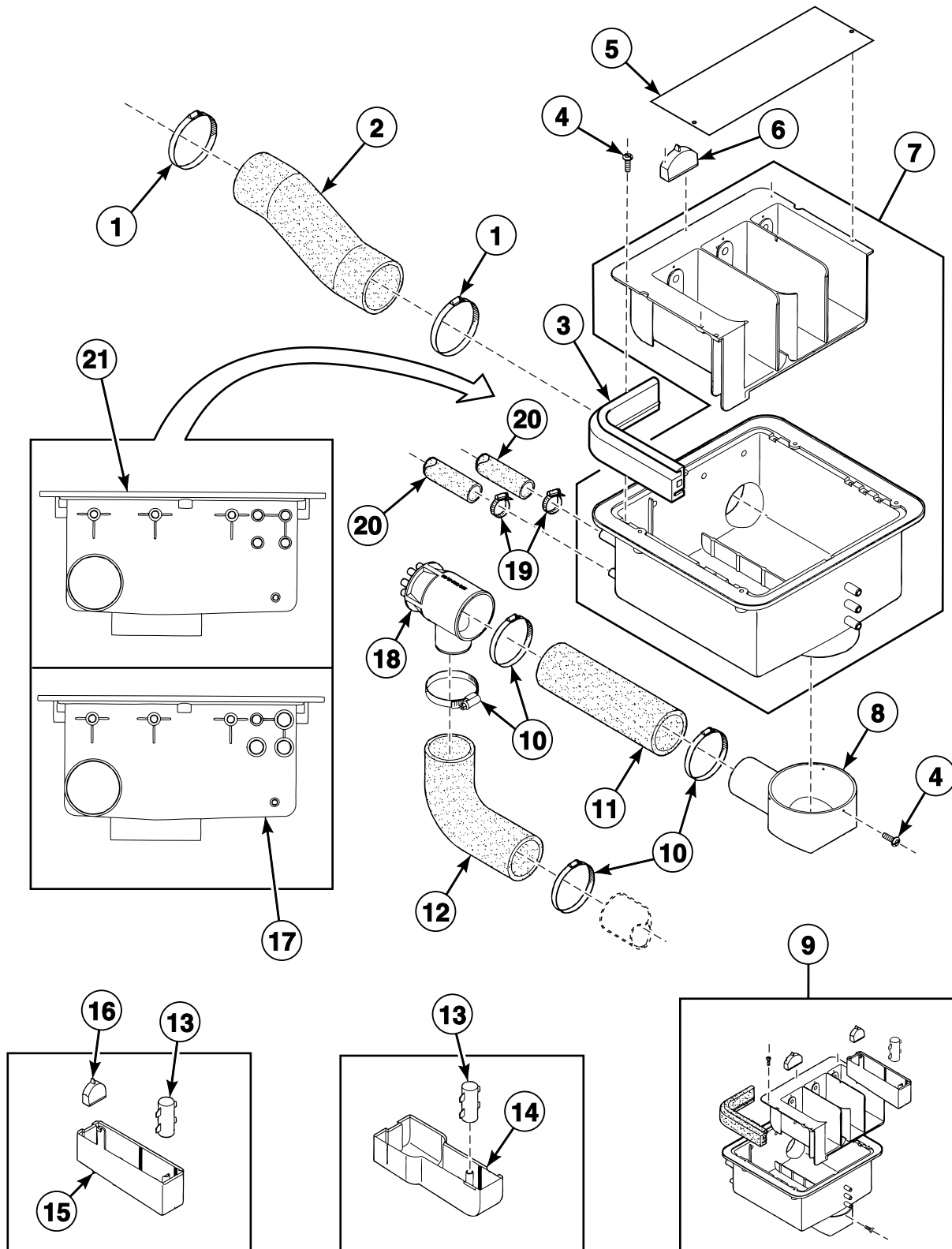


BE000663AP\_D0902

## Supply Dispenser - Models with Frontal Supply Dispenser

REF	PART NO.	DESCRIPTION	COMMENTS
1	223/00286/00	Hose	
2	223/00044/01	Water Hose	
3	F200205	Hose Clamp	
4	223/00280/00	Outer Soapbox	
5	223/00280/03	Front Soapbox Siphon	
6	223/00280/20	Inner Soapbox	
7	223/00280/07	Soapbox Handle	
8	223/00013/00	Hose Clamp	
9	223/00298/00	Hose	
10	118/00118/03	Tube	
11	206/00027/00	Bolt	
12	203/00006/00	Washer	
13	202/00004/00	Washer	
14	204/00007/00	Nut	
15	155/00161/00	Pump Support	

# Supply Dispenser with Round Ventilation Opening

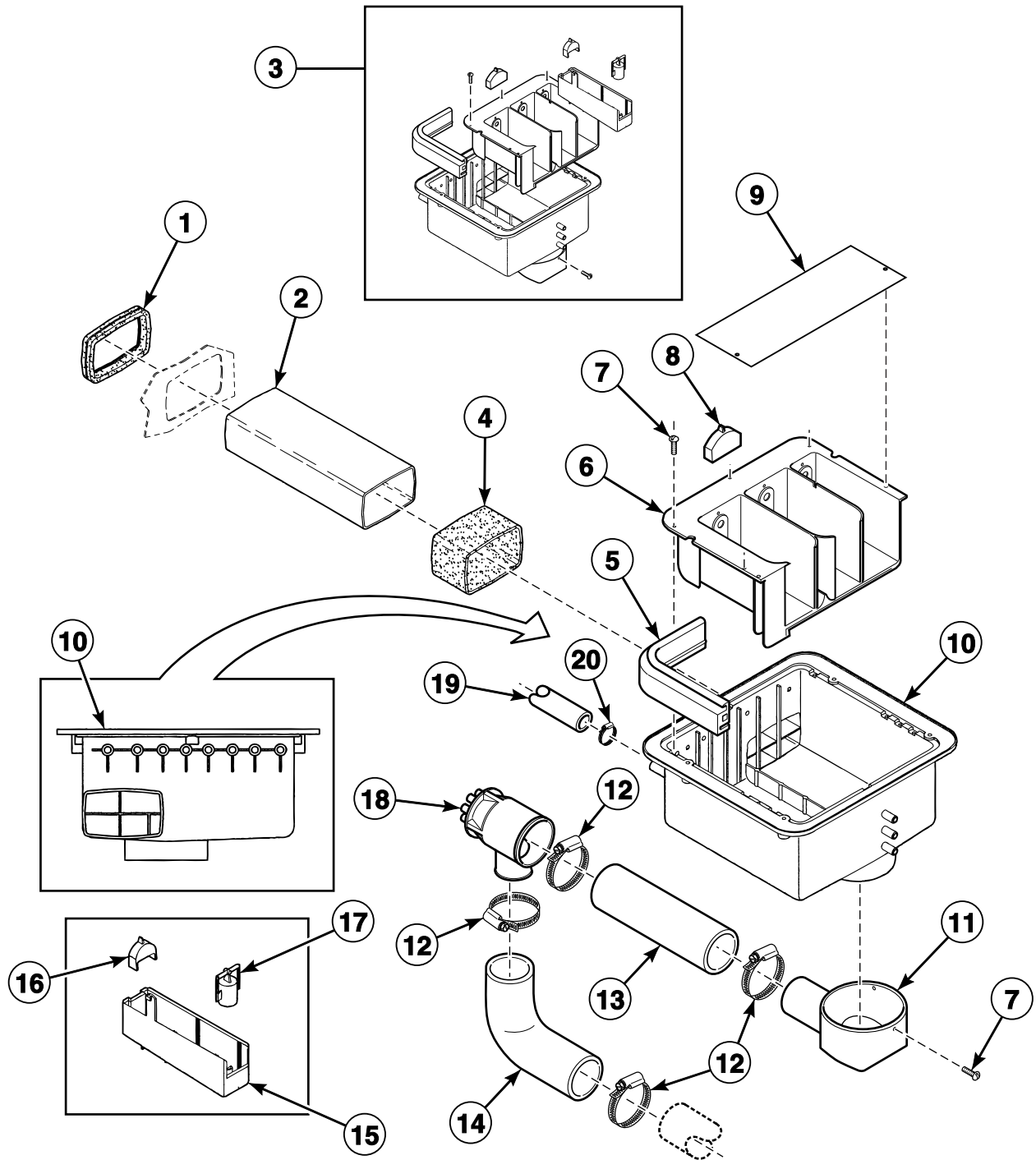


CFD330P\_D0902

## Supply Dispenser with Round Ventilation Opening

REF	PART NO.	DESCRIPTION	COMMENTS
1	223/00014/00	Hose Clamp	
2	223/00107/00	Soap Dispenser Air Breather Hose	
	223/00107/01	Ventilating Hose	
	223/00107/03	Vent Hose	
	223/00197/00	Vent Hose	
3	223/00109/00	Soap Dispenser Gasket	
4	B12347501	Screw	
5	123/00107/00	Anti-Splash Plate	Sigma control models
	123/00103/06	Soap Box Assembly Plate	All other models
6	223/00102/06	Soap Spray Nozzle	
7	223/00102/30	Soap Dispenser Assembly	
8	223/00195/00	Dispenser Drain Funnel	
9	223/00102/50	Soap Dispenser Assembly	
10	223/00013/00	Hose Clamp	
11	223/00260/00	Siphon Break Dispenser Hose	*12, *18, *60, *65 and *75 models
	223/00261/00	Soap Dispenser Hose	*25 and *100 models
12	223/00265/00	Siphon Break Hose	*12 and *60 models
	B12310307	Siphon Break Hose	*18, *25, *65, *75 and *100 models
13	223/00102/04	Soap Dispenser Rinse Siphon	
14	223/00102/08	Liquid Soap Dispenser Insert	
15	223/00102/03	Rinse Insert	
16	223/00102/05	Softener Spray Nozzle	
17	223/00102/40	Exterior Box	PB4
18	223/00250/00	Liquid Soap Manifold	
19	F200205	Hose Clamp	
20	223/00044/01	Water Hose	
21	223/00102/30	Soap Dispenser Assembly	PB3

# Supply Dispenser with Rectangular Ventilation Opening



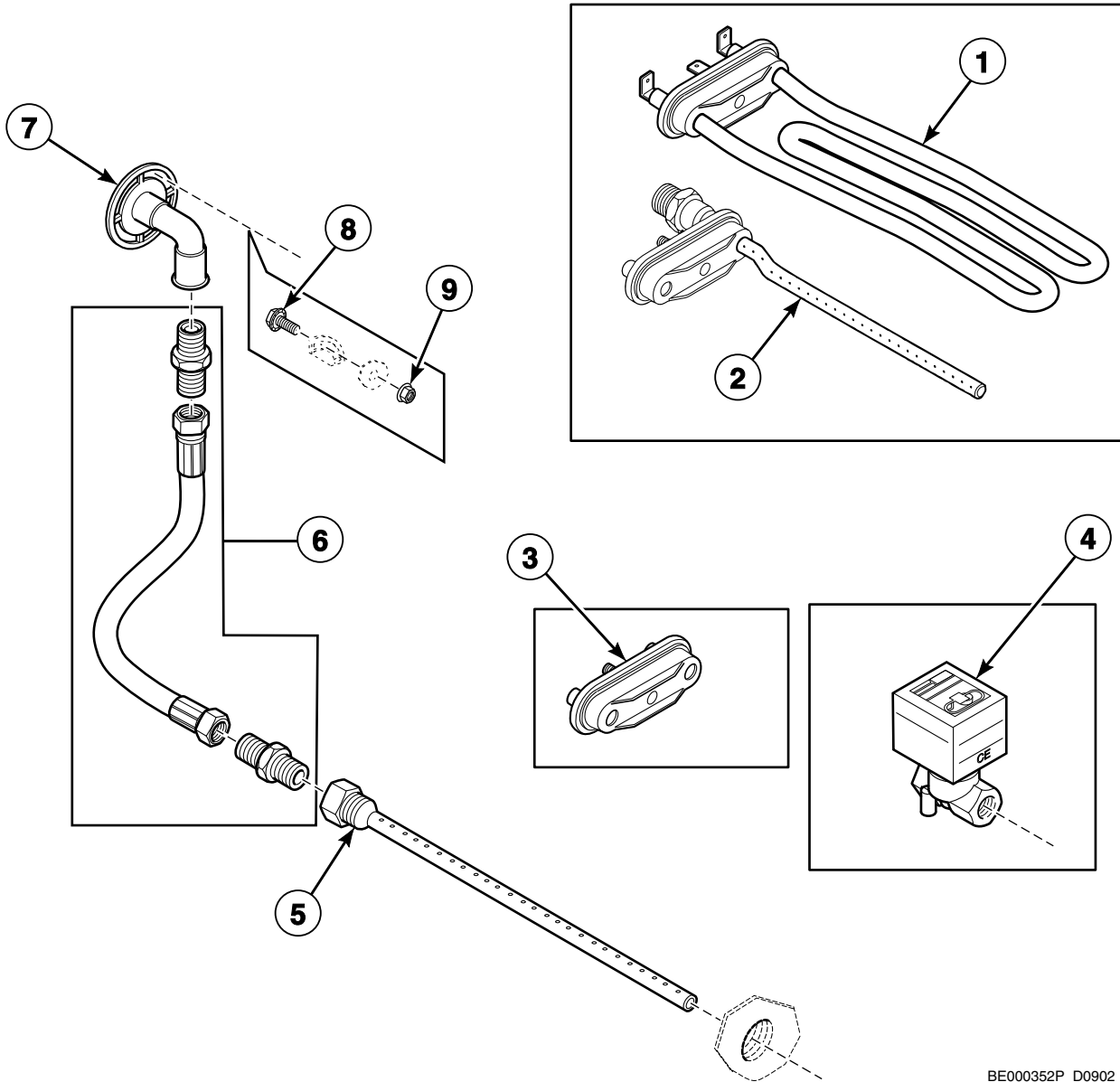
CFD331P\_D0902

# Supply Dispenser with Rectangular Ventilation Opening

REF	PART NO.	DESCRIPTION	COMMENTS
1	223/00226/00	Vent Tube	
2	223/00229/00	Vent Tube	
3	223/00222/00	Soap Dispenser	
4	223/00245/00	Shrink Fit	
5	223/00109/00	Soap Dispenser Gasket	
6	223/00222/60	Outer and Inner Box Kit	
7	B12347501	Screw	
8	223/00102/06	Soap Spray Nozzle	
9	123/00107/00	Anti-Splash Plate	Sigma control models
	123/00103/06	Soap Box Assembly Plate	All other models
10	223/00222/60	Outer and Inner Box Kit	
11	223/00195/00	Dispenser Drain Funnel	
12	223/00013/00	Hose Clamp	
13	223/00260/00	Siphon Break Dispenser Hose	*12, *18, *60, *65 and *75 models
	223/00261/00	Soap Dispenser Hose	*25 and *100 models
14	223/00265/00	Siphon Break Hose	*12 and *60 models
	B12310307	Siphon Break Hose	*18, *25, *65, *75 and *100 models
15	223/00222/05	Rinsing Box	
16	223/00222/03	Softener Spray Nozzle	
17	223/00222/04	Siphon Break	
18	223/00250/00	Liquid Soap Manifold	
19	223/00044/00	Water Hose	
20	F200205	Hose Clamp	



# Electric and Steam Heating Options

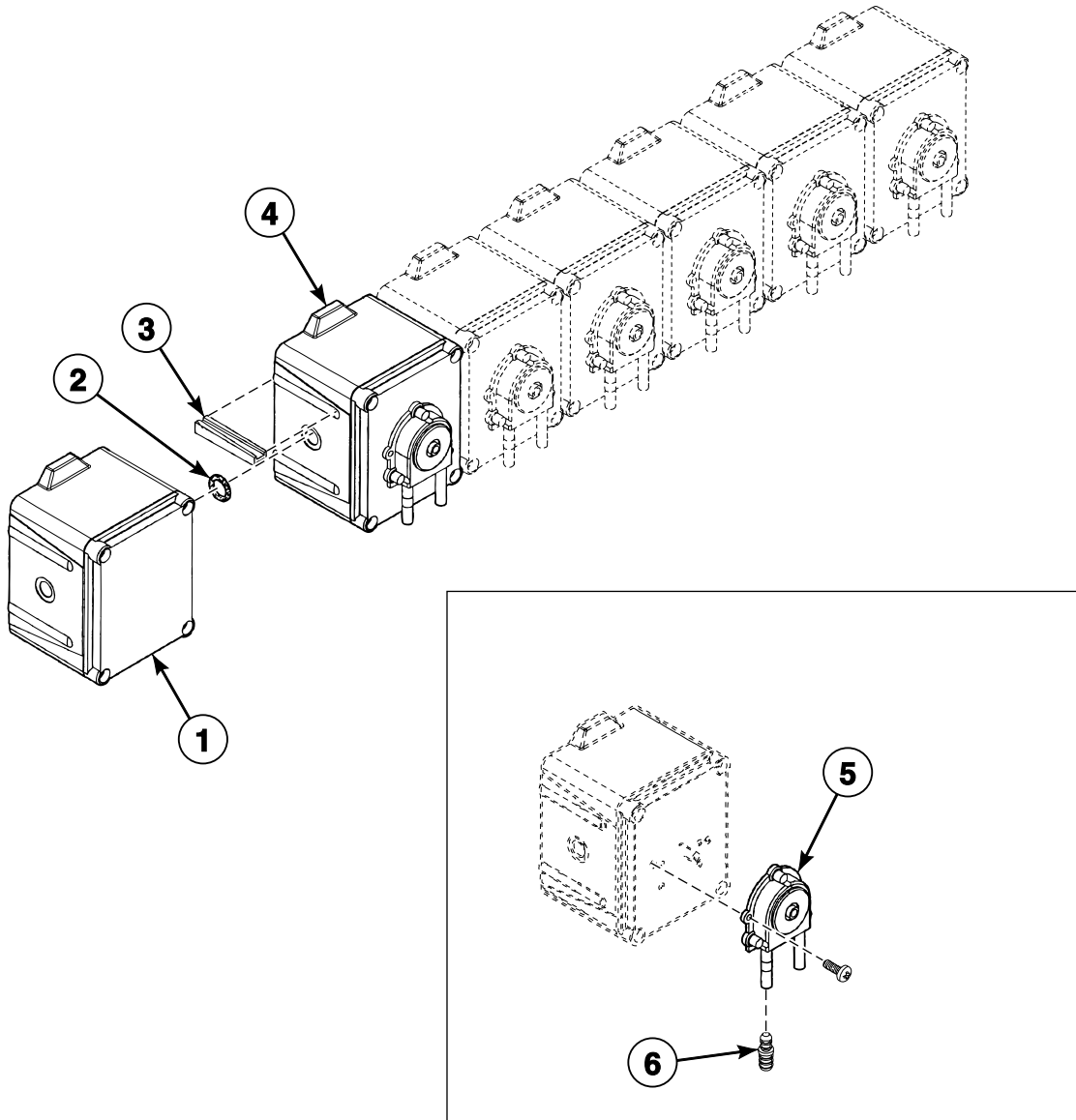


BE000352P\_D0902

## Electric and Steam Heating Options

REF	PART NO.	DESCRIPTION	COMMENTS
1	209/00581/10	Heating Element	4000W
	209/00562/20	Heating Element	3000W
	209/00563/20	Heating Element	2000W
	209/00564/20	Heating Element	1400W
2	118/00105/01	Steam Injector	
3	209/00196/00	Heating Element Plug	
4	209/00477/00	Steam Valve	
5	119/00082/00	Steam Injector	
6	217/00025/00	Steam Hose	
7	118/01063/00	Steam Inlet	
8	206/00099/00	Bolt	
9	206/00101/00	Nut	

# Soap Pumps



BE000527AP\_D0902

# Soap Pumps

REF	PART NO.	DESCRIPTION	COMMENTS
<b>1</b>	209/00554/01	Soap Pump Assembly	1 pump and 1 feeding pump
	209/00554/02	Soap Pump Assembly	2 pumps and 1 feeding pump
	209/00554/03	Soap Pump Assembly	3 pumps and 1 feeding pump
	209/00554/04	Soap Pump Assembly	4 pumps and 1 feeding pump
	209/00554/05	Soap Pump Assembly	5 pumps and 1 feeding pump
	209/00554/06	Soap Pump Assembly	6 pumps and 1 feeding pump
	209/00554/51	Feeding Liquid Soap Dosing Pump	
<b>2</b>	209/00554/52	Liquid Soap Dosing Pump O-Ring	
<b>3</b>	209/00554/53	Liquid Soap Dosing Pump Connection Piece	
<b>4</b>	209/00554/50	Pump	
<b>5</b>	209/00554/98	Hose	
<b>6</b>	209/00554/99	Hose Connector	