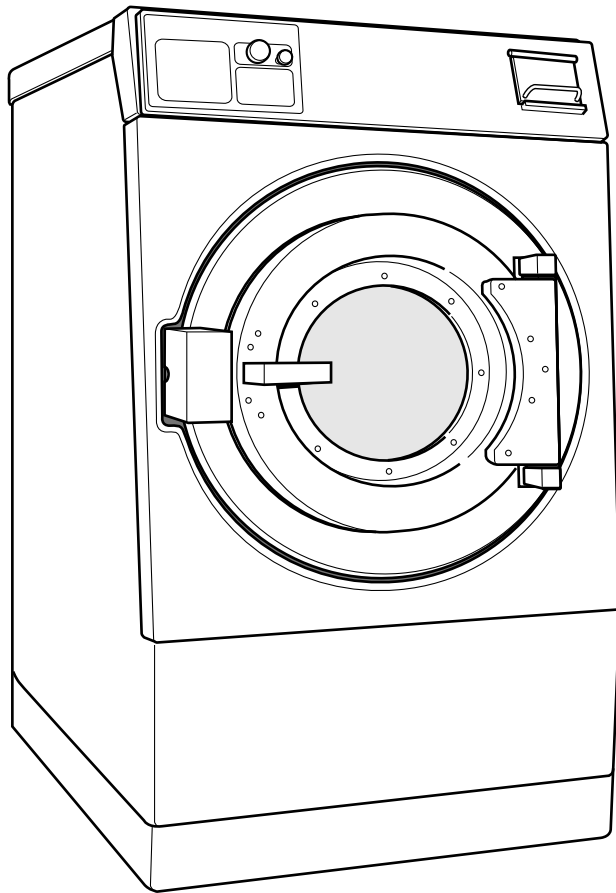


Washer-Extractor

Variable-Speed PS40 Control

Refer to Page 5 for Model Numbers



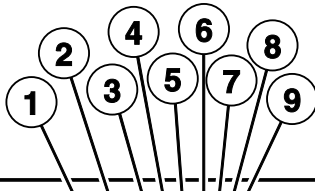
PHM1397C_C002634


Model Identification


Information in this manual is applicable to these washer-extractor models:

CP080PHN1	IP080PHN1	JP080PHN1
CP080PHN2	IP080PHN2	JP080PHN2
CP080PHQ1	IP080PHQ1	JP080PHQ1
CP080PHQ2	IP080PHQ2	JP100PHN1
CP080PMN1	IP080PMN1	JP100PHN2
CP080PMN2	IP080PMN2	JP100PHQ1
CP080PMQ1	IP080PMQ1	JP100PMQ1
CP100PHN1	IP080PMQ2	
CP100PHN2	IP100PHN1	
CP100PHQ1	IP100PHN2	
CP100PHQ2	IP100PHQ1	
CP100PMN1	IP100PMN1	
CP100PMN2	IP100PMN2	
CP100PMQ1	IP100PMQ1	
CPC80H	IPH80H	
CPC80M	IPH80M	
CPC100H	IPH100H	
CPC100M	IPH100M	
	IPH370	
	IPH460	

Product Overview - PS40 Control

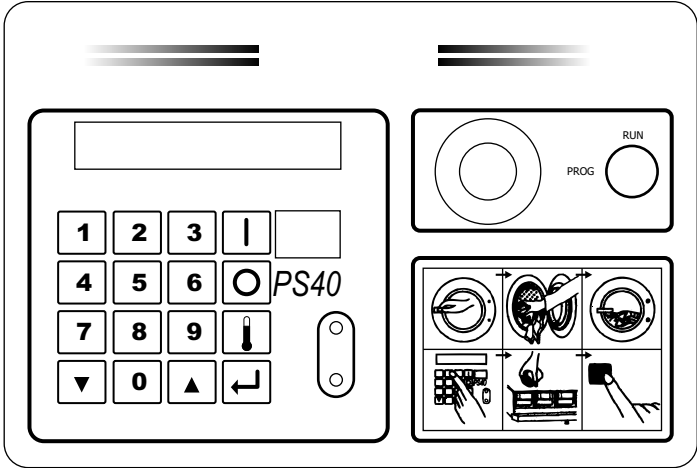


Model No.	*P040PHQ1001U01				
Serial No.	00000000000				
Voltage	208 – 240	Hz	60	Phase	3
Number of wires	: 3	FLA:		amps	
Circuit Breaker Size	: 3 amps				
Max. Load	: 40	LB	18.2	KG	
Schematic:					
Supply Water:	30 - 85 psi, 2 - 5.7 BAR				



ETL LISTED
CONFORMS TO
ANSI/UL STD. 1555
US ANSI/UL STD. 1206

ETL TESTING LABORATORIES, INC.
CORTLAND, NEW YORK 13045

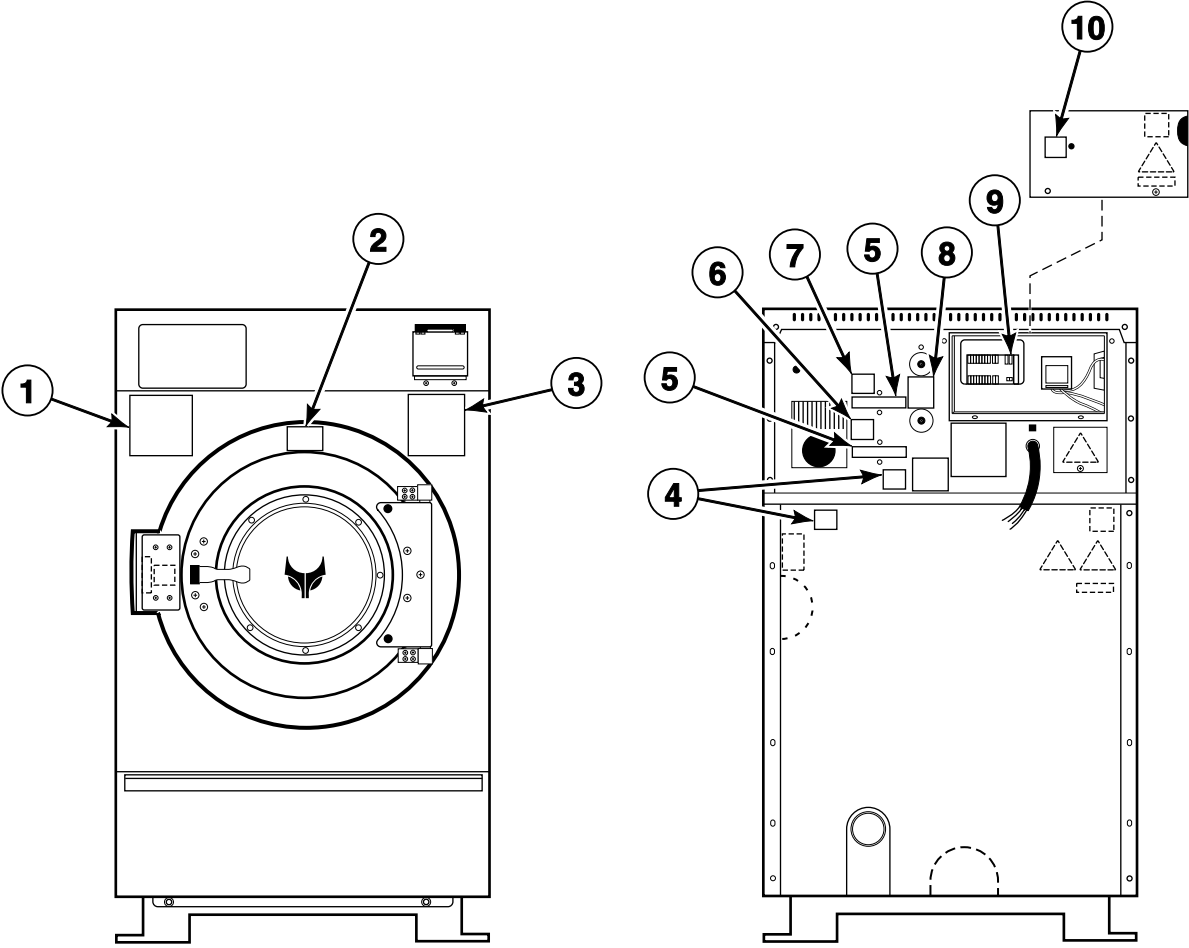


PHM3091P_C002634

Product Overview - PS40 Control

REF	PART NO.	DESCRIPTION	COMMENTS
1		Product Family	CP IP JP
2		Capacity (Pounds)	040 060 080 100 125 140 175
3		Control	P (PS-40 Control)
4		Speed	H (High Speed) M (Medium Speed)
5		Voltage	N (380-415/440-480/50/60/3) Q (208-220/220-240/50/60/3) X (208-220/220-240/50/60/1/3)
6		Design	1 2
7		Heat	0 (Prep for Steam) D (Direct) E (Electric)
8		Plumbing	0 (Standard US Thread - 2 valves) A (US Thread - 3 valves) B (Metric Thread - 2 valves) C (Metric Thread - 3 valves) D (US Thread - 2 valves, 3 inlets) E (No valves)
9		Supply	1 (1 Compartment 6 Signals) 2 (1 Compartment 12 Signals) 5 (5 Compartments 6 Signals) 6 (5 Compartments 12 Signals) 7 (No Compartment 6 Signals) 8 (No Compartment 12 Signals)

Decals - Models through 8/31/09 (Drawing 1 of 2)

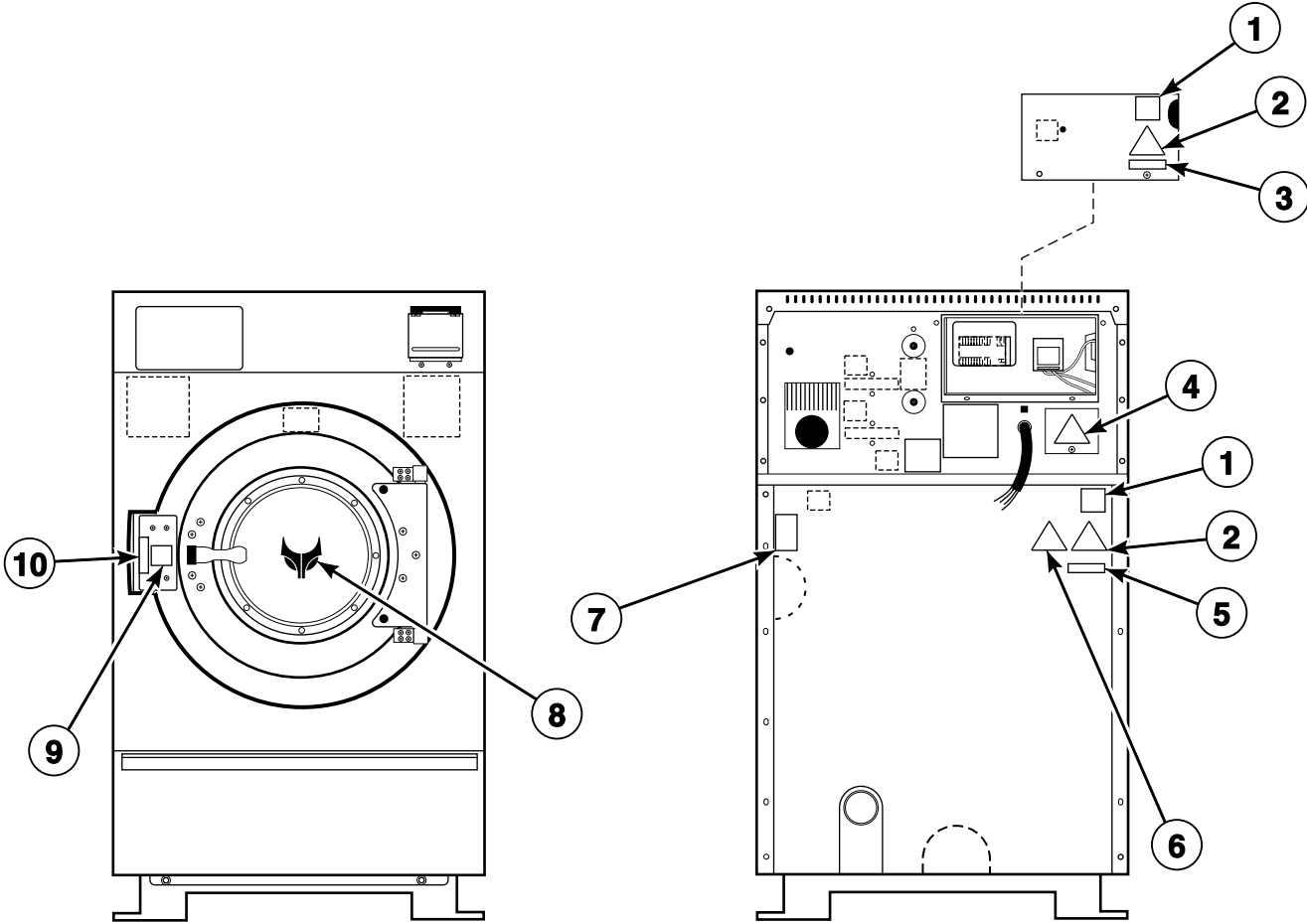


PHM2767P_C002634

Decals - Models through 8/31/09 (Drawing 1 of 2)

REF	PART NO.	DESCRIPTION	COMMENTS
1	F200085100	Spin Warning Decal	Models CP080PHN1, CP080PHQ1, CP080PMN1, CP080PMQ1, CP100PHN1, CP100PHQ1, CP100PMN1, CP100PMQ1, IP080PHN1, IP080PHQ1, IP080PMN1, IP080PMQ1, IP100PHN1, IP100PHQ1, IP100PMN1, IP100PMQ1, JP080PHN1, JP080PHQ1, JP100PHN1, JP100PHQ1 and JP100PMQ1
2	F200085000	Hot Surface Warning Decal	Models CP080PHN1, CP080PHQ1, CP080PMN1, CP080PMQ1, CP100PHN1, CP100PHQ1, CP100PMN1, CP100PMQ1, IP080PHN1, IP080PHQ1, IP080PMN1, IP080PMQ1, IP100PHN1, IP100PHQ1, IP100PMN1, IP100PMQ1, JP080PHN1, JP080PHQ1, JP100PHN1, JP100PHQ1 and JP100PMQ1
3	F200085300	Hot Water and Chemical Caution Decal	Models CP080PHN1, CP080PHQ1, CP080PMN1, CP080PMQ1, CP100PHN1, CP100PHQ1, CP100PMN1, CP100PMQ1, IP080PHN1, IP080PHQ1, IP080PMN1, IP080PMQ1, IP100PHN1, IP100PHQ1, IP100PMN1, IP100PMQ1, JP080PHN1, JP080PHQ1, JP100PHN1, JP100PHQ1 and JP100PMQ1
4	F200318200	Cover Decal	Models CPC80H, CPC80M, CPC100H, CPC100M, IPH80H, IPH80M, IPH100H, IPH100M, IPH370 and IPH460
5	F230734	Water Line Caution Decal	Models CP080PHN1, CP080PHQ1, CP080PMN1, CP080PMQ1, CP100PHN1, CP100PHQ1, CP100PMN1, CP100PMQ1, IP080PHN1, IP080PHQ1, IP080PMN1, IP080PMQ1, IP100PHN1, IP100PHQ1, IP100PMN1, IP100PMQ1, JP080PHN1, JP080PHQ1, JP100PHN1, JP100PHQ1 and JP100PMQ1
6	F231367	Hot Water Valve Decal	
7	F231368	Cold Water Valve Decal	
8	C000508	Bearing Lubrication Decal	
9	C000506	Supply Signal Decal	
10	F230917-1	External Supply Connection Decal	Models CP080PHN1, CP080PHQ1, CP080PMN1, CP080PMQ1, CP100PHN1, CP100PHQ1, CP100PMN1, CP100PMQ1, IP080PHN1, IP080PHQ1, IP080PMN1, IP080PMQ1, IP100PHN1, IP100PHQ1, IP100PMN1, IP100PMQ1, JP080PHN1, JP080PHQ1, JP100PHN1, JP100PHQ1 and JP100PMQ1

Decals - Models through 8/31/09 (Drawing 2 of 2)



PHM2767PA_C002634

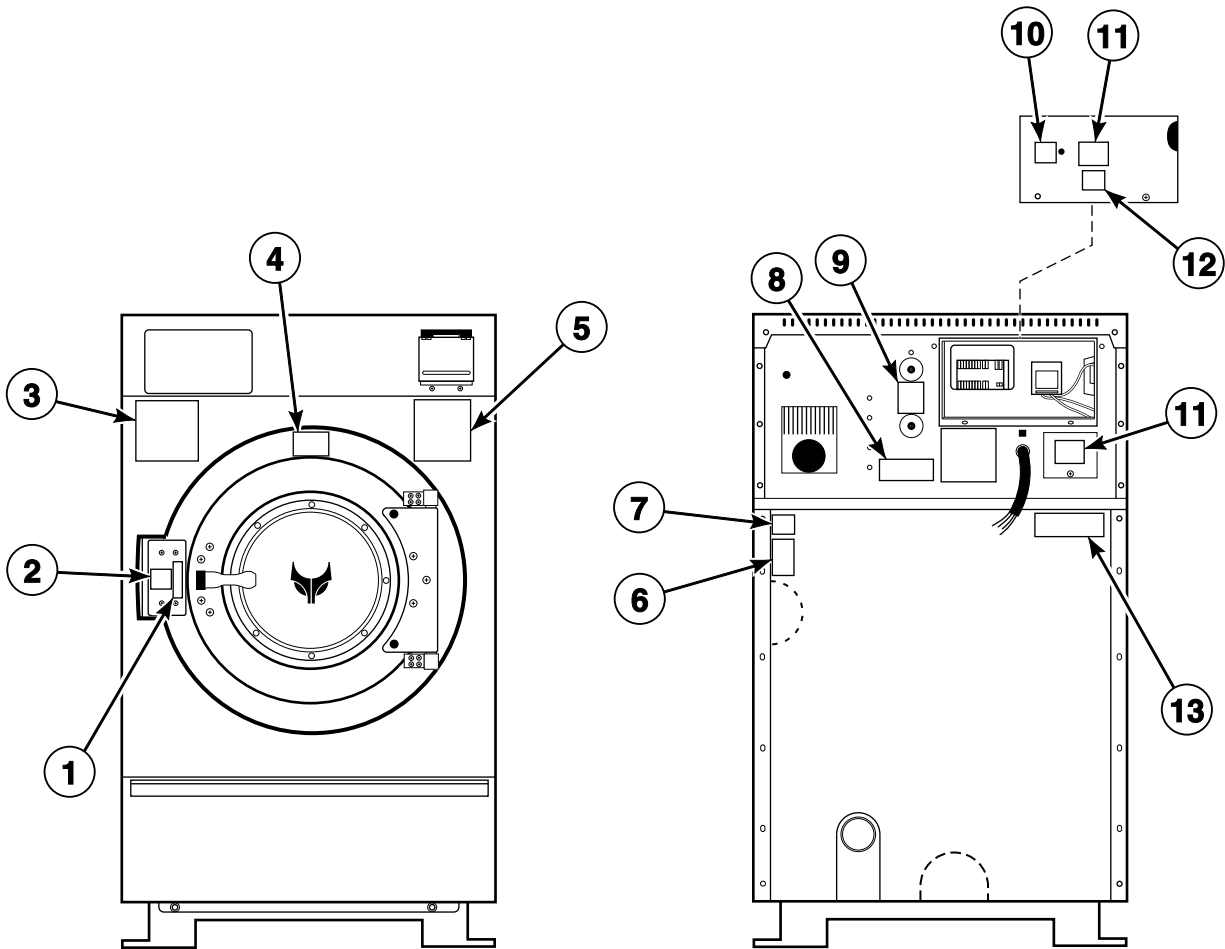
Decals - Models through 8/31/09 (Drawing 2 of 2)

REF	PART NO.	DESCRIPTION	COMMENTS
1	F200318200	Cover Decal	Models CP080PHN1, CP080PHQ1, CP080PMN1, CP080PMQ1, CP100PHN1, CP100PHQ1, CP100PMN1, CP100PMQ1, IP080PHN1, IP080PHQ1, IP080PMN1, IP080PMQ1, IP100PHN1, IP100PHQ1, IP100PMN1, IP100PMQ1, JP080PHN1, JP080PHQ1, JP100PHN1, JP100PHQ1 and JP100PMQ1
2	502511	Electrical Shock Label	Models CP080PHN1, CP080PHQ1, CP080PMN1, CP080PMQ1, CP100PHN1, CP100PHQ1, CP100PMN1, CP100PMQ1, IP080PHN1, IP080PHQ1, IP080PMN1, IP080PMQ1, IP100PHN1, IP100PHQ1, IP100PMN1, IP100PMQ1, JP080PHN1, JP080PHQ1, JP100PHN1, JP100PHQ1 and JP100PMQ1
3	505281	Disconnect Power Warning Label	Models CP080PHN1, CP080PHQ1, CP080PMN1, CP080PMQ1, CP100PHN1, CP100PHQ1, CP100PMN1, CP100PMQ1, IP080PHN1, IP080PHQ1, IP080PMN1, IP080PMQ1, IP100PHN1, IP100PHQ1, IP100PMN1, IP100PMQ1, JP080PHN1, JP080PHQ1, JP100PHN1, JP100PHQ1 and JP100PMQ1
4	502511	Electrical Shock Label	
5	500049	Warning Label	Models CP080PHN1, CP080PHQ1, CP080PMN1, CP080PMQ1, CP100PHN1, CP100PHQ1, CP100PMN1, CP100PMQ1, IP080PHN1, IP080PHQ1, IP080PMN1, IP080PMQ1, IP100PHN1, IP100PHQ1, IP100PMN1, IP100PMQ1, JP080PHN1, JP080PHQ1, JP100PHN1, JP100PHQ1 and JP100PMQ1
6	N/A	Crush Hazard Warning Decal	Models CPC80H, CPC80M, CPC100H, CPC100M, IPH80H, IPH80M, IPH100H, IPH100M, IPH370 and IPH460
	502506	Pinched Fingers Label	Models CP080PHN1, CP080PHQ1, CP080PMN1, CP080PMQ1, CP100PHN1, CP100PHQ1, CP100PMN1, CP100PMQ1, IP080PHN1, IP080PHQ1, IP080PMN1, IP080PMQ1, IP100PHN1, IP100PHQ1, IP100PMN1, IP100PMQ1, JP080PHN1, JP080PHQ1, JP100PHN1, JP100PHQ1 and JP100PMQ1
7	F200085000	Hot Surface Warning Decal	Models CPC80H, CPC80M, CPC100H, CPC100M, IPH80H, IPH80M, IPH100H, IPH100M, IPH370 and IPH460
	F231380	Hot Surface Warning Decal	Models CP080PHN1, CP080PHQ1, CP080PMN1, CP080PMQ1, CP100PHN1, CP100PHQ1, CP100PMN1, CP100PMQ1, IP080PHN1, IP080PHQ1, IP080PMN1, IP080PMQ1, IP100PHN1, IP100PHQ1, IP100PMN1, IP100PMQ1, JP080PHN1, JP080PHQ1, JP100PHN1, JP100PHQ1 and JP100PMQ1
8	C001038	Logo Decal	Models IP080PHN1, IP080PHQ1, IP080PMN1, IP080PMQ1, IP100PHN1, IP100PHQ1, IP100PMN1, IP100PMQ1, IPH80H, IPH80M, IPH100H, IPH100M, IPH370 and IPH460
9	C000694	Door Release Decal	
10	F230303	Push Decal	Models CP080PHN1, CP080PHQ1, CP080PMN1, CP080PMQ1, CP100PHN1, CP100PHQ1, CP100PMN1, CP100PMQ1, IP080PHN1, IP080PHQ1, IP080PMN1, IP080PMQ1, IP100PHN1, IP100PHQ1, IP100PMN1, IP100PMQ1, JP080PHN1, JP080PHQ1, JP100PHN1, JP100PHQ1 and JP100PMQ1

N/A = Part no longer available

Decals - Models starting 9/1/09

Models CP080PHN1, CP080PHN2, CP080PHQ1, CP080PHQ2, CP080PMN1, CP080PMN2, CP080PMQ1, CP100PHN1, CP100PHN2, CP100PHQ1, CP100PHQ2, CP100PMN1, CP100PMN2, CP100PMQ1, IP080PHN1, IP080PHN2, IP080PHQ1, IP080PHQ2, IP080PMN1, IP080PMN2, IP080PMQ1, IP080PMQ2, IP100PHN1, IP100PHN2, IP100PHQ1, IP100PMN1, IP100PMN2, IP100PMQ1, JP080PHN1, JP080PHN2, JP080PHQ1, JP100PHN1, JP100PHN2, JP100PHQ1 and JP100PMQ1



PHM3089P_C002634

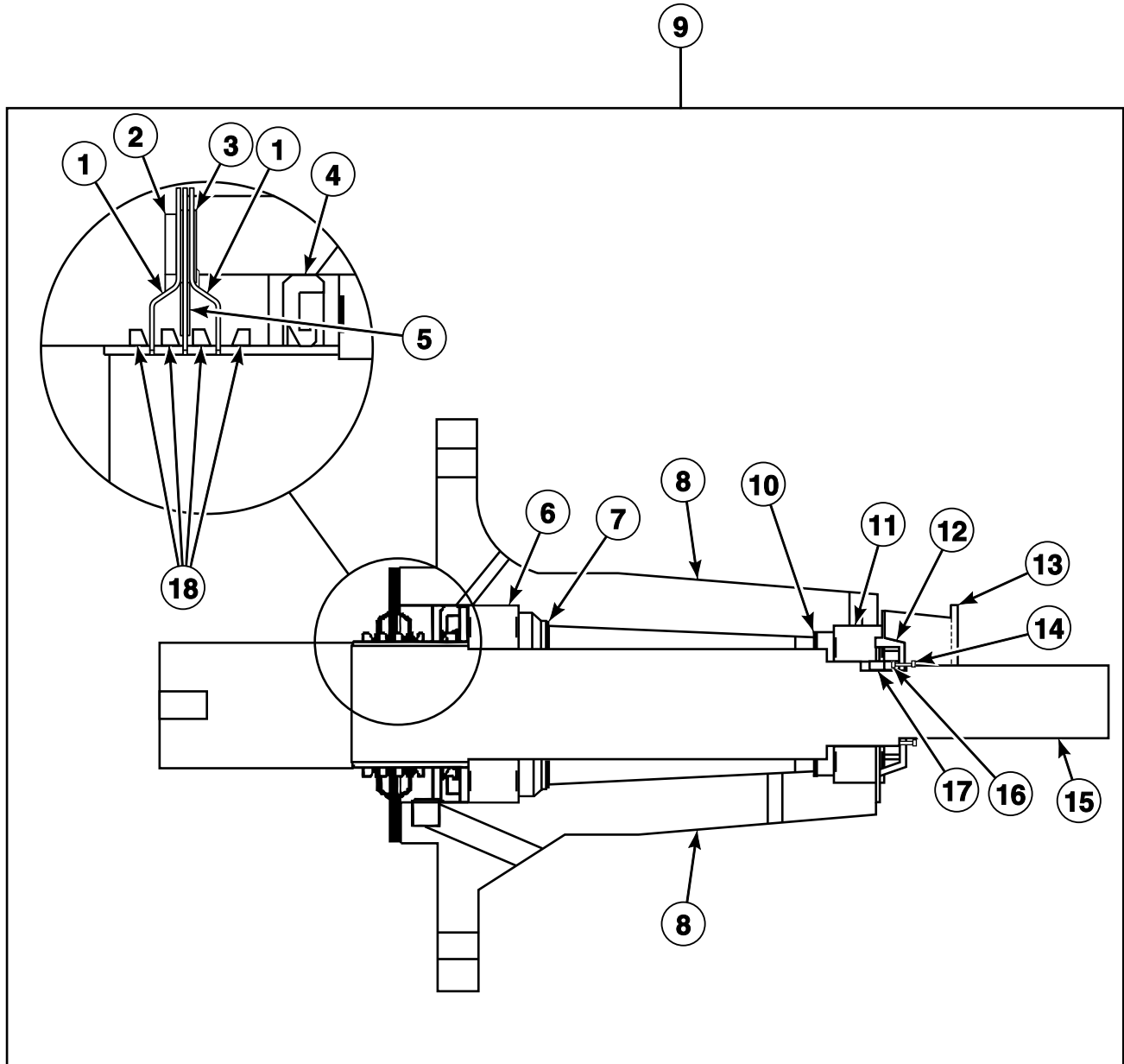
Decals - Models starting 9/1/09

REF	PART NO.	DESCRIPTION	COMMENTS
1	C000694	Door Release Decal	
2	F230303	Push Decal	
3	F200085100	Spin Warning Decal	All models except JP080PHN1, JP080PHQ1 and JP100PHN1
4	F200085000	Hot Surface Warning Decal	
5	F200085300	Hot Water and Chemical Caution Decal	
6	F8211901	Hot Surface Warning Plate	Steam models only
7	F8246401	Mount on Concrete Warning Label	
8	F200061000	Clean Filter Daily Decal	
9	C000508	Bearing Lubrication Decal	
10	F8150201	External Supply Connection Decal	
11	F8233501	Warning Label	
12	F8115501	Electric Shock Danger Label	
13	44127701	Warning Label	

Bearing Housing Assembly (Drawing 1 of 6)

Models CPC80H, CPC100H, IPH80H and IPH100H

Models Through 3/23/04



PHM2724P_C002634

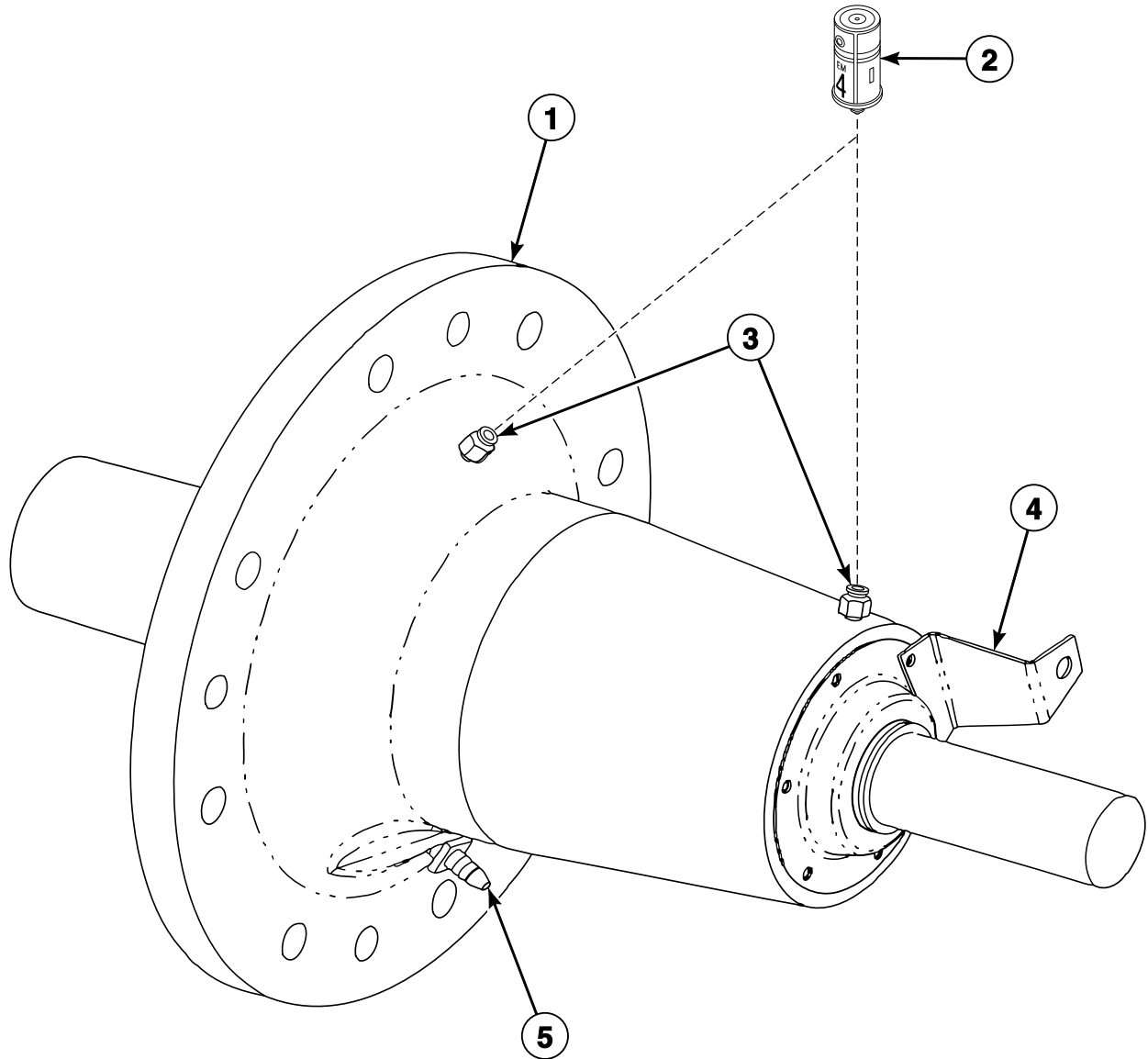
Bearing Housing Assembly (Drawing 1 of 6)

REF	PART NO.	DESCRIPTION	COMMENTS
	C000554	Screw	8 required; Bearing housing to frame
	C000555	Washer	8 required; Bearing housing to frame
	F430929	Screw	12 required; Front and rear seal plates to bearing housing
	C000571	Washer	12 required; Front and rear seal plates to bearing housing
1	C000166	Seal Plate	
2	C001915	Plate	
3	C001705	Gasket	
4	C000332	Lip Seal	Front bearing
5	C000165	Seal Plate	
6	C000163	Carb Bearing	
7	C000167	Grease Shield	Front
8	C000155	Bearing Housing	
9	C000154P	Bearing Housing Assembly	
10	C000171	Grease Shield	Rear
11	C000164	Roller Bearing	
12	C000158	Seal Plate	
13	C000658	Mounting Bracket	
14	C000070	V-Ring Seal	
15	C000157	Cylinder Shaft	
16	C000159	Nut	
17	C000161	Washer	
18	C000156	V-Ring Seal	

Bearing Housing Assembly (Drawing 2 of 6)

Models CPC80H, CPC100H, IPH80H and IPH100H

Models Starting 3/23/04



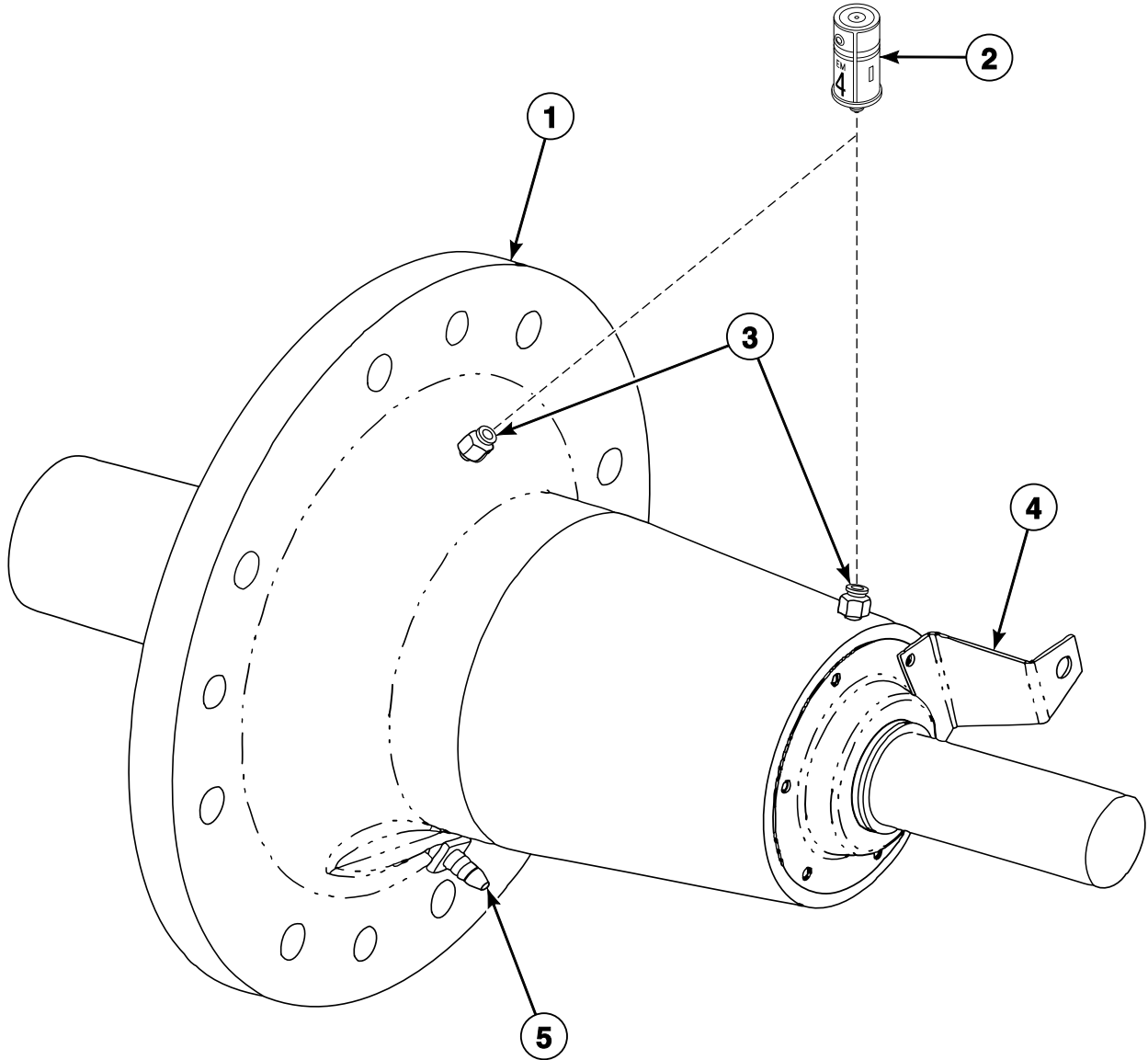
PHM2725P_C002634

Bearing Housing Assembly (Drawing 2 of 6)

REF	PART NO.	DESCRIPTION	COMMENTS
	1390P	Bearing Housing Puller Kit	
	1390-1	Bearing Housing Puller Kit	Rental; Requires C002023 Hardware Kit
	C002023	Hardware Kit	Required with 1390-1 Bearing Housing Puller Kit
	C000554	Screw	8 required; Bearing housing to frame
	C000555	Washer	8 required; Bearing housing to frame
	F430929	Screw	12 required; Front and rear seal plates to bearing housing
	C000571	Washer	12 required; Front and rear seal plates to bearing housing
	C000552	Hose	26 inches required; Weep hole fitting to drain line fitting
	C000628P	Tubing	2 at 33 inches required; Lube fittings to bearing housing
	C003007	Triple Lip Seal	
	36801	Hose Clamp	1 required; Bearing weep hole "TEE"
1	C000154P	Bearing Housing Assembly	Standard seals; Includes items 3 and 5
	C001365	Bearing Housing Assembly	Viton seals; Includes items 3 and 5
2	212/00022/00P	Lubricator	Optional
3	J1408004	Connector	
4	C000658	Mounting Bracket	
5	C001649	Reducing Connector	

Bearing Housing Assembly (Drawing 3 of 6)

Models CP080PHN1, CP080PHN2, CP080PHQ1, CP080PHQ2, CP100PHN1, CP100PHN2, CP100PHQ1, CP100PHQ2, IP080PHN1, IP080PHN2, IP080PHQ1, IP080PHQ2, IP100PHN1, IP100PHN2, IP100PHQ1, JP080PHN1, JP080PHN2, JP080PHQ1, JP100PHN1, JP100PHN2 and JP100PHQ1



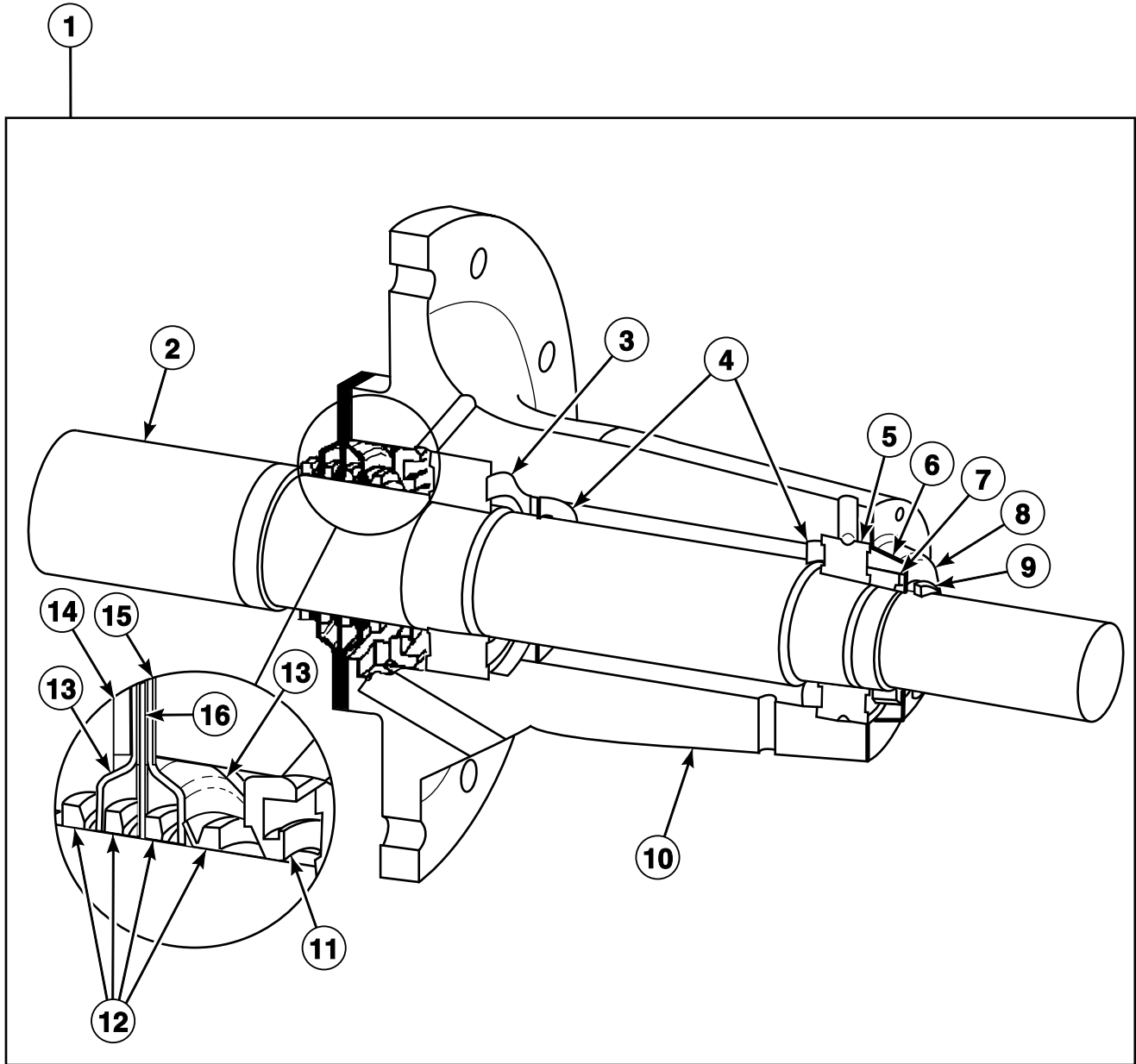
PHM2725P_C002634

Bearing Housing Assembly (Drawing 3 of 6)

REF	PART NO.	DESCRIPTION	COMMENTS
	1390P	Bearing Housing Puller Kit	
	1390-1	Bearing Housing Puller Kit	Rental; Requires C002023 Hardware Kit
	C002023	Hardware Kit	Required with 1390-1 Bearing Housing Puller Kit
	C000554	Screw	8 required; Bearing housing to frame
	C000555	Washer	8 required; Bearing housing to frame
	F430929	Screw	12 required; Front and rear seal plates to bearing housing
	C000571	Washer	12 required; Front and rear seal plates to bearing housing
	C000552	Hose	26 inches required; Weep hole fitting to drain line fitting
	C000628P	Tubing	2 at 33 inches required; Lube fittings to bearing housing
	C003007	Triple Lip Seal	
	36801	Hose Clamp	1 required; Bearing weep hole "TEE"
1	C000154P	Bearing Housing Assembly	Standard seals; Includes items 3 and 5
	C001365	Bearing Housing Assembly	Viton seals; Includes items 3 and 5
2	212/00022/00P	Lubricator	Optional
3	J1408004	Connector	
4	C000658	Mounting Bracket	
5	C001649	Reducing Connector	

Bearing Housing Assembly (Drawing 4 of 6)

Models CPC100M, IPH100M and IPH460
Models Through 3/23/04



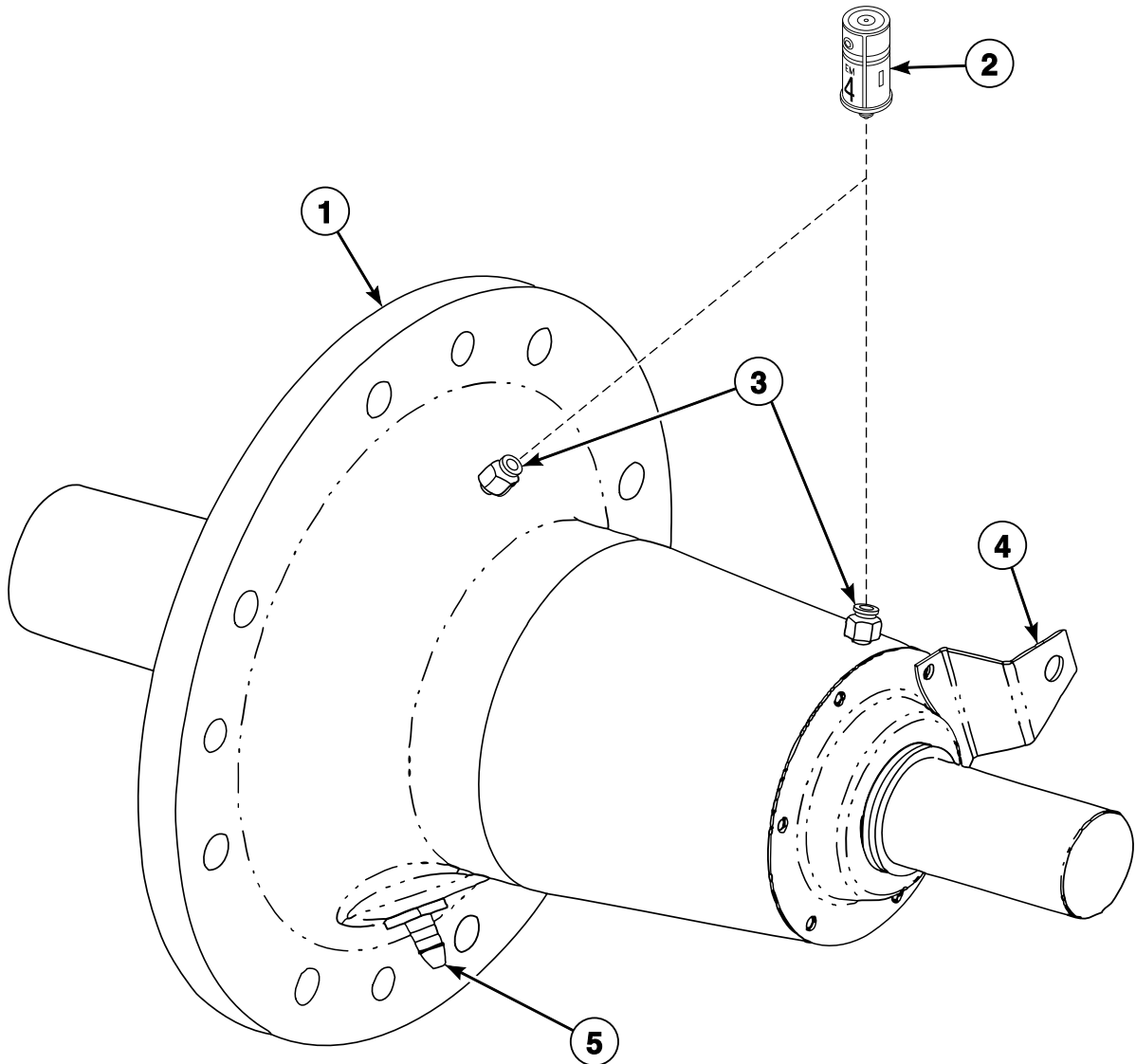
PHM2726P_C002634

Bearing Housing Assembly (Drawing 4 of 6)

REF	PART NO.	DESCRIPTION	COMMENTS
	C000145	Screw	8 required; Bearing housing to frame
	C000147	Washer	8 required; Bearing housing to frame
	F430929	Screw	12 required; Front and rear seal plates to bearing housing
	C000571	Washer	12 required; Front and rear seal plates to bearing housing
	C000372	Mounting Bracket	
1	C000058P	Bearing Housing Assembly	
2	C000068	Cylinder Shaft	
3	C000151	Carb Bearing	
4	C000064	Grease Shield	
5	C000152	Roller Bearing	
6	C000071	Washer	
7	C000063	Nut	
8	C000158	Seal Plate	
9	C000070	V-Ring Seal	
10	C000057	Bearing Housing	
11	C002959	Triple Lip Seal	
12	C000069	V-Ring Seal	
13	C000065	Seal Plate	
14	C001916	Plate	
15	C001704	Gasket	
16	C000066	Seal Plate	

Bearing Housing Assembly (Drawing 5 of 6)

Models CPC100M, IPH100M and IPH460
Models Starting 3/23/04



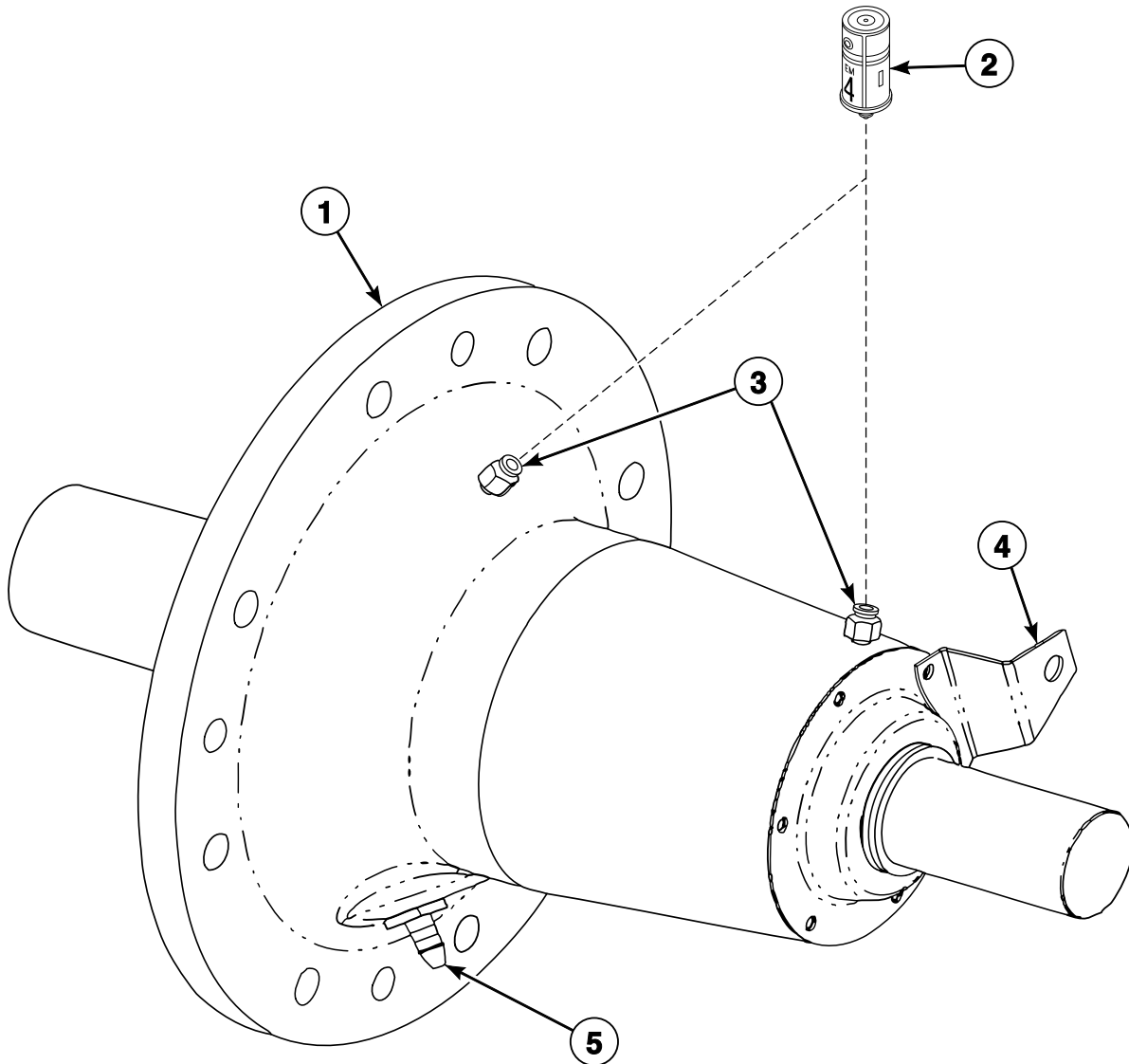
PHM2727P_C002634

Bearing Housing Assembly (Drawing 5 of 6)

REF	PART NO.	DESCRIPTION	COMMENTS
	1390P	Bearing Housing Puller Kit	
	1390-1	Bearing Housing Puller Kit	Rental; Requires C002023 Hardware Kit
	C002023	Hardware Kit	Required with 1390-1 Bearing Housing Puller Kit
	C000145	Screw	8 required; Bearing housing to frame
	C000147	Washer	8 required; Bearing housing to frame
	F430929	Screw	12 required; Front and rear seal plates to bearing housing
	C000571	Washer	12 required; Front and rear seal plates to bearing housing
	C000552	Hose	26 inches required; Weep hole fitting to drain line fitting
	C000628P	Tubing	2 at 33 inches required; Lube fittings to bearing housing
	C002959	Triple Lip Seal	
	36801	Hose Clamp	1 required; Bearing weep hole "TEE"
1	C000058P	Bearing Housing Assembly	Standard seals; Includes items 3 and 5
2	212/00022/00P	Lubricator	Optional
3	J1408004	Connector	
4	C000372	Mounting Bracket	
5	C001649	Reducing Connector	

Bearing Housing Assembly (Drawing 6 of 6)

Models CP080PMN1, CP080PMN2, CP080PMQ1, CP100PMN1, CP100PMN2, CP100PMQ1, CPC80M, IP080PMN1, IP080PMN2, IP080PMQ1, IP080PMQ2, IP100PMN1, IP100PMN2, IP100PMQ1, IPH80M, IPH370 and JP100PMQ1

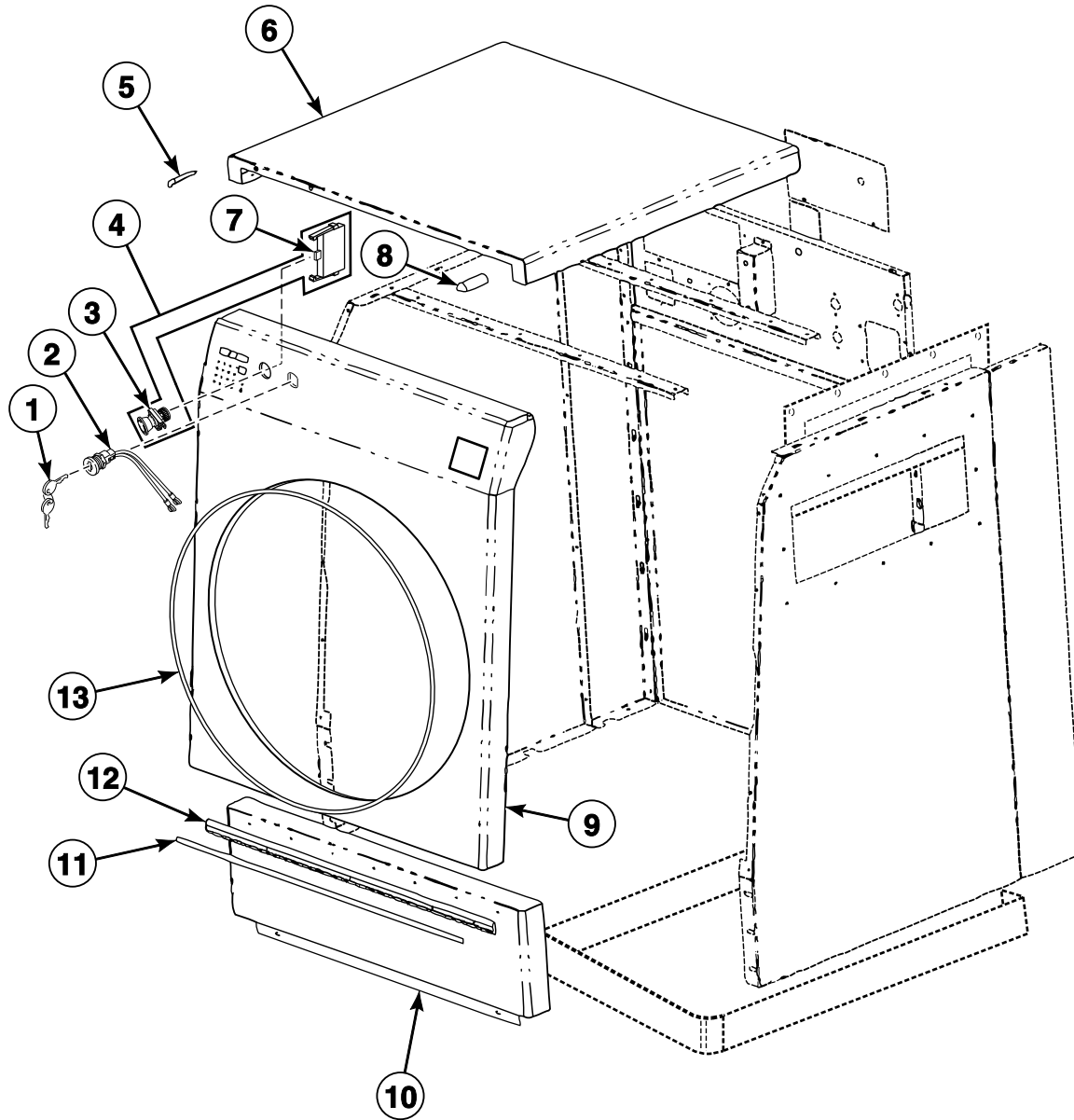


PHM2727P_C002634

Bearing Housing Assembly (Drawing 6 of 6)

REF	PART NO.	DESCRIPTION	COMMENTS
	1390P	Bearing Housing Puller Kit	
	1390-1	Bearing Housing Puller Kit	Rental; Requires C002023 Hardware Kit
	C002023	Hardware Kit	Required with 1390-1 Bearing Housing Puller Kit
	C000145	Screw	8 required; Bearing housing to frame
	C000147	Washer	8 required; Bearing housing to frame
	F430929	Screw	12 required; Front and rear seal plates to bearing housing
	C000571	Washer	12 required; Front and rear seal plates to bearing housing
	C000552	Hose	26 inches required; Weep hole fitting to drain line fitting
	C000628P	Tubing	2 at 33 inches required; Lube fittings to bearing housing
	C002959	Triple Lip Seal	
	36801	Hose Clamp	1 required; Bearing weep hole "TEE"
1	C000058P	Bearing Housing Assembly	Standard seals; Includes items 3 and 5
2	212/00022/00P	Lubricator	Optional
3	J1408004	Connector	
4	C000372	Mounting Bracket	
5	C001649	Reducing Connector	

Top and Front Panels



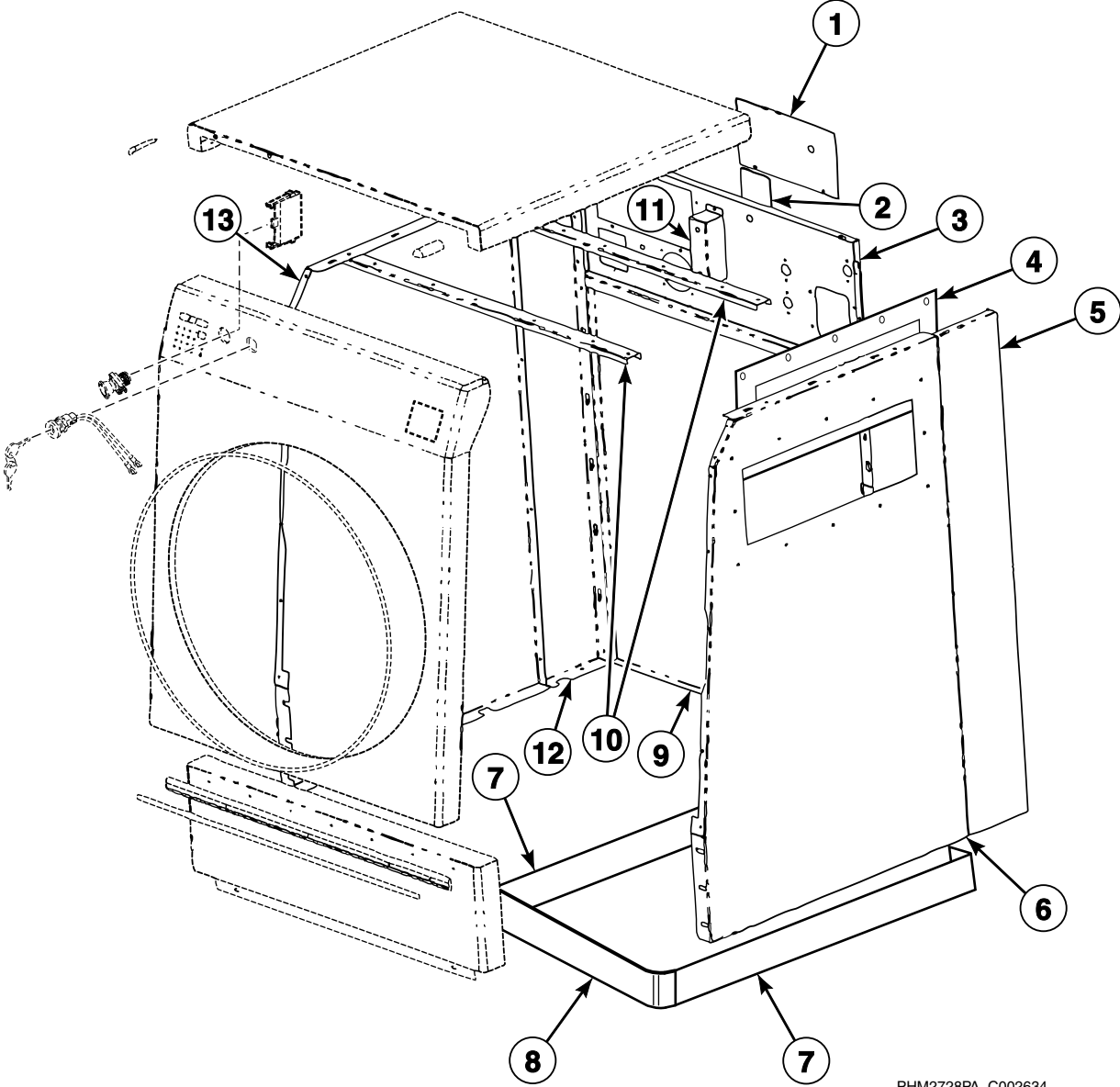
PHM2967P_C002634

Top and Front Panels

REF	PART NO.	DESCRIPTION	COMMENTS
	C000567	Screw	2 required for top panel to valve panel; 12 required for front panel to side panel; 2 required for lower front panel to frame
	F431024	Nut	4 required for front panel to side panel
	N/A	Nut	2 required for top panel to valve panel; 2 required for lower front panel to frame
	C000571	Washer	2 required for top panel to valve panel; 2 required for lower front panel to frame
	C000585	Washer	2 required for lower front panel to frame
	F430929	Screw	
	F430910	Screw	6 required for rub rails to lower front panel
	C000568	Nut	6 required for rub rails to lower front panel
1	1242	Programming Key	
2	C003024P	Keymode Switch Assembly	
3	F200233500	Emergency Stop Pushbutton	
4	F200233700P	Emergency Stop Button Kit	
5	C000484	Control Panel Insert	Right corner
6	C000209	Top Panel	Models CP080PHN1, CP080PHN2, CP080PHQ1, CP080PHQ2, CP080PMN1, CP080PMN2, CP080PMQ1, CPC80H, CPC80M, IP080PHN1, IP080PHN2, IP080PHQ1, IP080PHQ2, IP080PMN1, IP080PMN2, IP080PMQ1, IP080PMQ2, IPH80H, IPH80M, IPH370, JP080PHN1, JP080PHN2 and JP080PHQ1
	C000196	Top Panel	All other models
7	F8538101	Contact Base	
	F8069501	Contact Switch	
	F200233401P	Contact Block Switch	Includes F8069501 Contact Switch and F8538101 Contact Base
8	C000483	Control Panel Insert	Left corner
9	C002970	Front Panel	Side dispenser models; Models CP080PHN1, CP080PHN2, CP080PHQ1, CP080PHQ2, CP080PMN1, CP080PMN2, CP080PMQ1, CPC80H, CPC80M, IP080PHN1, IP080PHN2, IP080PHQ1, IP080PHQ2, IP080PMN1, IP080PMN2, IP080PMQ1, IP080PMQ2, IPH80H, IPH80M, IPH370, JP080PHN1, JP080PHN2 and JP080PHQ1
	N/A	Front Panel	Front dispenser models; Models CP080PHN1, CP080PHQ1, CP080PHQ2, CP080PMN1, CP080PMQ1, CPC80H, CPC80M, IP080PHN1, IP080PHQ1, IP080PHQ2, IP080PMN1, IP080PMQ1, IP080PMQ2, IPH80H, IPH80M, IPH370, JP080PHN1 and JP080PHQ1
	C002971	Front Panel	Side dispenser models; Models CP100PHN1, CP100PHN2, CP100PHQ1, CP100PHQ2, CP100PMN1, CP100PMN2, CP100PMQ1, CPC100H, CPC100M, IP100PHN1, IP100PHN2, IP100PHQ1, IP100PMN1, IP100PMN2, IP100PMQ1, IPH100H, IPH100M, IPH460, JP100PHN1, JP100PHN2, JP100PHQ1 and JP100PMQ1
	C001167	Front Panel	Front dispenser models; Models CP100PHN1, CP100PHQ1, CP100PHQ2, CP100PMN1, CP100PMQ1, CPC100H, CPC100M, IP100PHN1, IP100PHQ1, IP100PMN1, IP100PMQ1, IPH100H, IPH100M, IPH460, JP100PHN1, JP100PHQ1 and JP100PMQ1
10	C000200	Lower Front Panel	Models starting 7/1/09
11	C000637	Insert Rail	Models starting 3/23/04
12	C000634	Rub Rail	Models starting 3/23/04
13	C000629	Trim Gasket	Models starting 3/23/04

N/A = Part no longer available

Rear, Side and Valve Panels



PHM2728PA_C002634

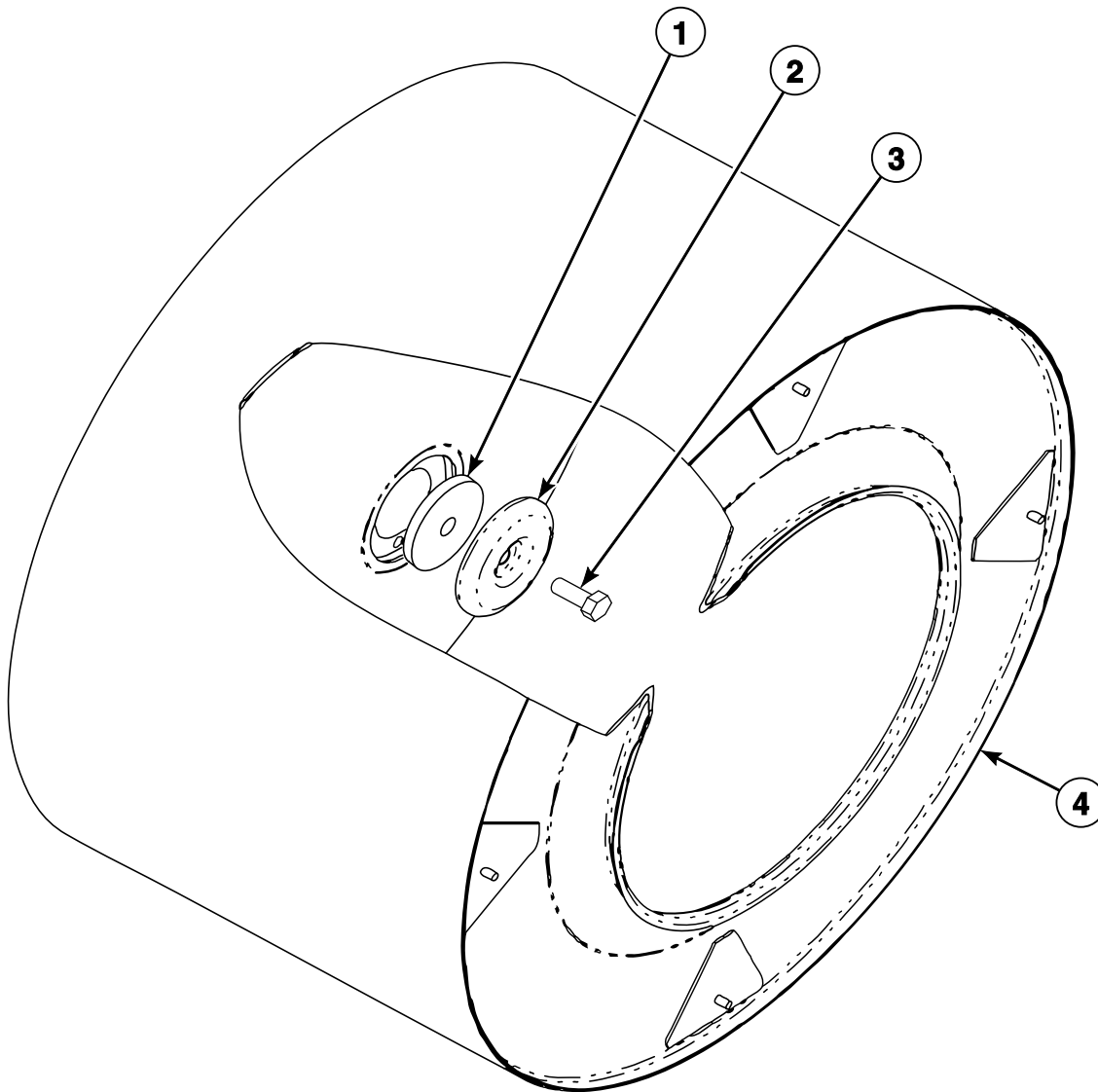
Rear, Side and Valve Panels

REF	PART NO.	DESCRIPTION	COMMENTS
	C000567	Screw	6 required for valve panel to side panel; 2 required for top panel to valve panel; 12 required for front panel to side panel; 6 required for side panel to frame; 6 required for rear cover to side panel; 4 or 5 required for front electrical mounting bracket to side panel; 2 required for grease box to valve panel
	F431024	Nut	6 required for valve panel to side panel; 4 required for front panel to side panel; 4 or 5 required for front electrical mounting bracket to side panel; 2 required for grease box to valve panel
	N/A	Nut	2 required for top panel to valve panel; 6 required for side panel to frame; 2 required for rear electrical cover to valve panel
	C000571	Washer	2 required for top panel to valve panel; 6 required for side panel to frame; 4 required for rear cover to side panel
	C000585	Washer	6 required for side panel to frame
	F430929	Screw	2 required for rear electrical cover to valve panel; 1 required for inlet power cover to valve panel
1	C000173	Rear Electrical Enclosure Cover	
2	C001257	Inlet Power Cover	Models starting 3/23/04
3	C002981	Valve Panel	
4	N/A	Side Dispenser Plate	Use only on single front dispenser models
5	C002989	Rear Left Side Panel	Models CP080PHN1, CP080PHN2, CP080PHQ1, CP080PHQ2, CP080PMN1, CP080PMN2, CP080PMQ1, CPC80H, CPC80M, IP080PHN1, IP080PHN2, IP080PHQ1, IP080PHQ2, IP080PMN1, IP080PMN2, IP080PMQ1, IP080PMQ2, IPH80H, IPH80M, IPH370, JP080PHN1, JP080PHN2 and JP080PHQ1
	C002794	Left Side Panel and Stiffener Assembly	All other models
6	C002709	Side Panel and Stiffener Assembly	Includes stiffener
7	N/A	Side Skirt Panel	
8	C000316	Front Skirt Panel	
9	C000197P	Rear Panel	
10	C000300	Front Electrical Enclosure Rail	
11	C000539	Grease Connector Box	
12	C002990	Rear Right Side Panel	Models CP080PHN1, CP080PHN2, CP080PHQ1, CP080PHQ2, CP080PMN1, CP080PMN2, CP080PMQ1, CPC80H, CPC80M, IP080PHN1, IP080PHN2, IP080PHQ1, IP080PHQ2, IP080PMN1, IP080PMN2, IP080PMQ1, IP080PMQ2, IPH80H, IPH80M, IPH370, JP080PHN1, JP080PHN2 and JP080PHQ1
	C002992	Rear Right Side Panel	All other models
13	C002710	Side Panel and Stiffener Assembly	Includes stiffener

N/A = Part no longer available

Cylinder Assembly (Drawing 1 of 2)

Models CP080PHN1, CP080PHN2, CP080PHQ1, CP080PHQ2, CP100PHN1, CP100PHN2, CP100PHQ1, CP100PHQ2, CPC80H, CPC100H, IP080PHN1, IP080PHN2, IP080PHQ1, IP080PHQ2, IP080PMQ2, IP100PHN1, IP100PHN2, IP100PHQ1, IPH80H, IPH100H, JP080PHN1, JP080PHN2, JP080PHQ1, JP100PHN1, JP100PHN2 and JP100PHQ1



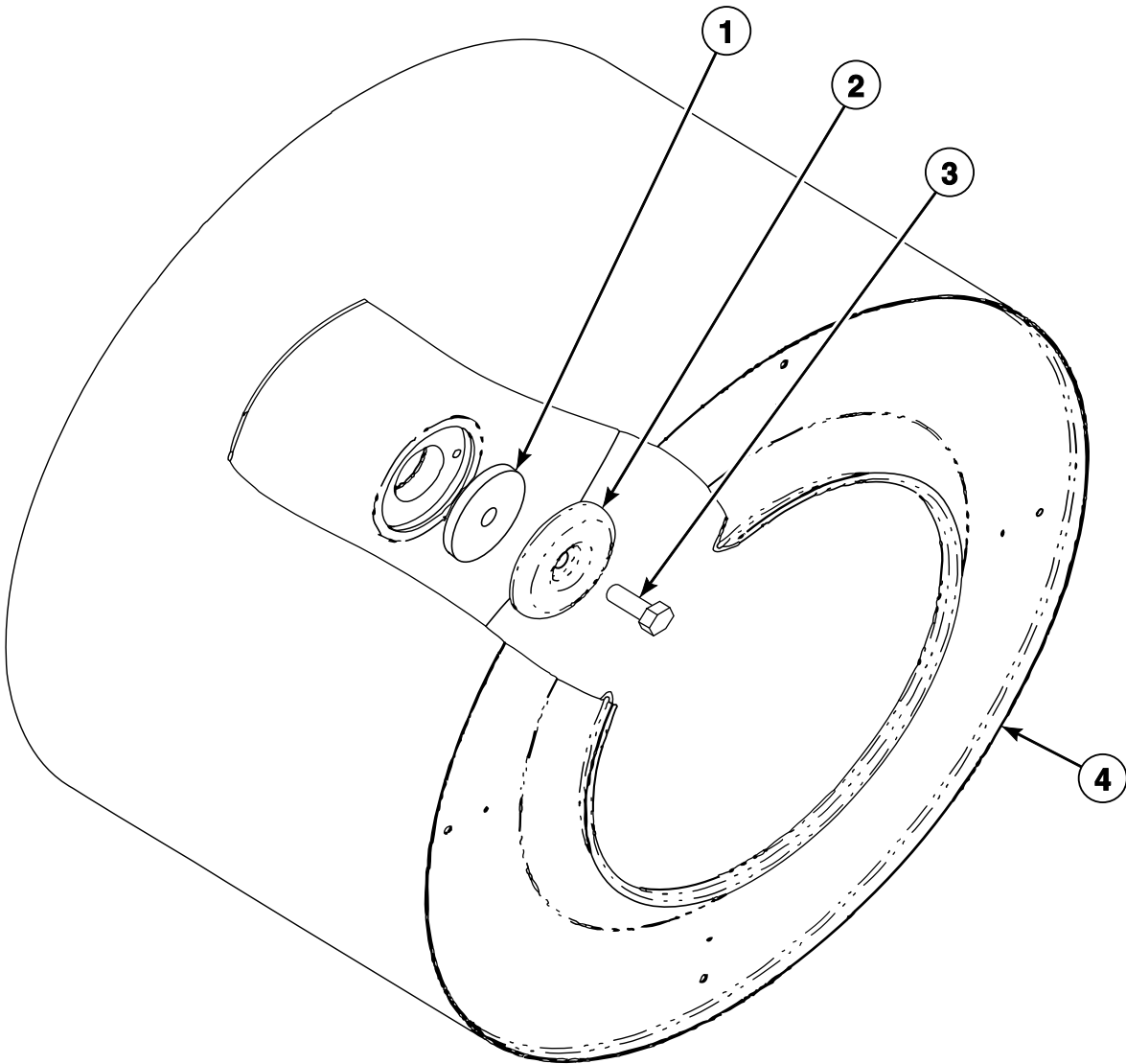
PHM2729P_C002634

Cylinder Assembly (Drawing 1 of 2)

REF	PART NO.	DESCRIPTION	COMMENTS
	C001293	Washer	Lifter; Models starting 3/23/04
	C000583	Washer	Models starting 3/23/04
1	C001239	Washer	
2	C001238	Cylinder Bolt Shroud	
3	C001093	Screw	Models through 7/1/06
	C001294	Screw	Models starting 7/1/06
4	C000267P	Cylinder Assembly Kit	Models CP080PHN1, CP080PHN2, CP080PHQ1, CP080PHQ2, CPC80H, IP080PHN1, IP080PHN2, IP080PHQ1, IP080PHQ2, IP080PMQ2, IPH80H, JP080PHN1, JP080PHN2 and JP080PHQ1; Includes lifter rod
	C000127	Cylinder Assembly	All other models; Includes lifter rod

Cylinder Assembly (Drawing 2 of 2)

Models CP080PMN1, CP080PMN2, CP080PMQ1, CP100PMN1, CP100PMN2,
CP100PMQ1, CPC80M, CPC100M, IP080PMN1, IP080PMN2, IP080PMQ1, IP100PMN1,
IP100PMN2, IP100PMQ1, IPH80M, IPH100M, IPH370, IPH460 and JP100PMQ1

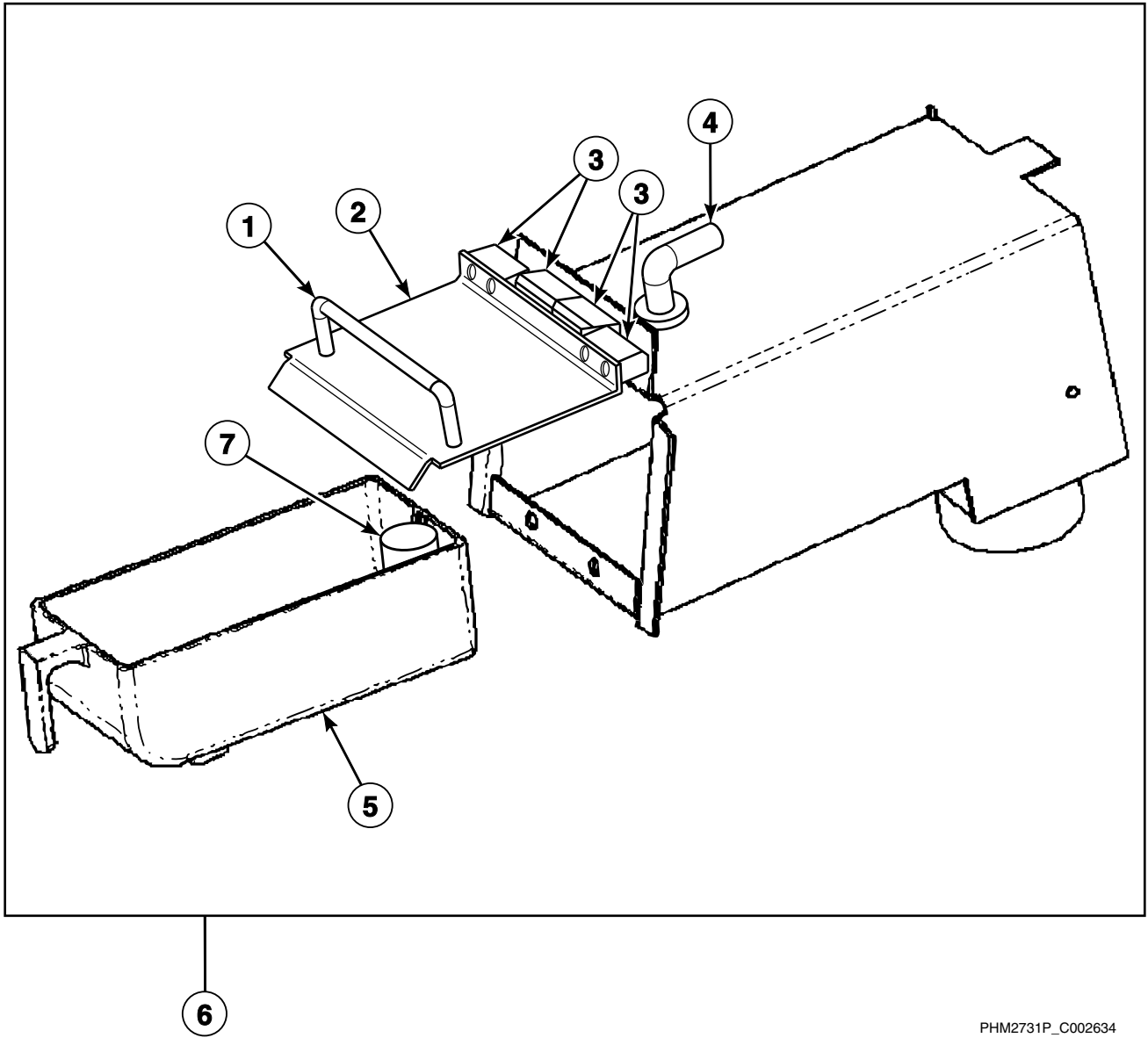


PHM2730P_C002634

Cylinder Assembly (Drawing 2 of 2)

REF	PART NO.	DESCRIPTION	COMMENTS
	C001293	Washer	Lifter; Models starting 3/23/04
	C000583	Washer	Models starting 3/23/04
1	C001239	Washer	
2	C001238	Cylinder Bolt Shroud	
3	C001093	Screw	
4	C000804P	Cylinder Assembly Kit	Models CP080PMN1, CP080PMN2, CP080PMQ1, CPC80M, IP080PMN1, IP080PMN2, IP080PMQ1, IPH80M and IPH370; Includes lifter rod
	C000800P	Cylinder Assembly Kit	Models CP100PMN1, CP100PMN2, CP100PMQ1, CPC100M, IP100PMN1, IP100PMN2, IP100PMQ1, IPH100M, IPH460 and JP100PMQ1; Includes lifter rod

Single Cup Front Dispenser



PHM2731P_C002634

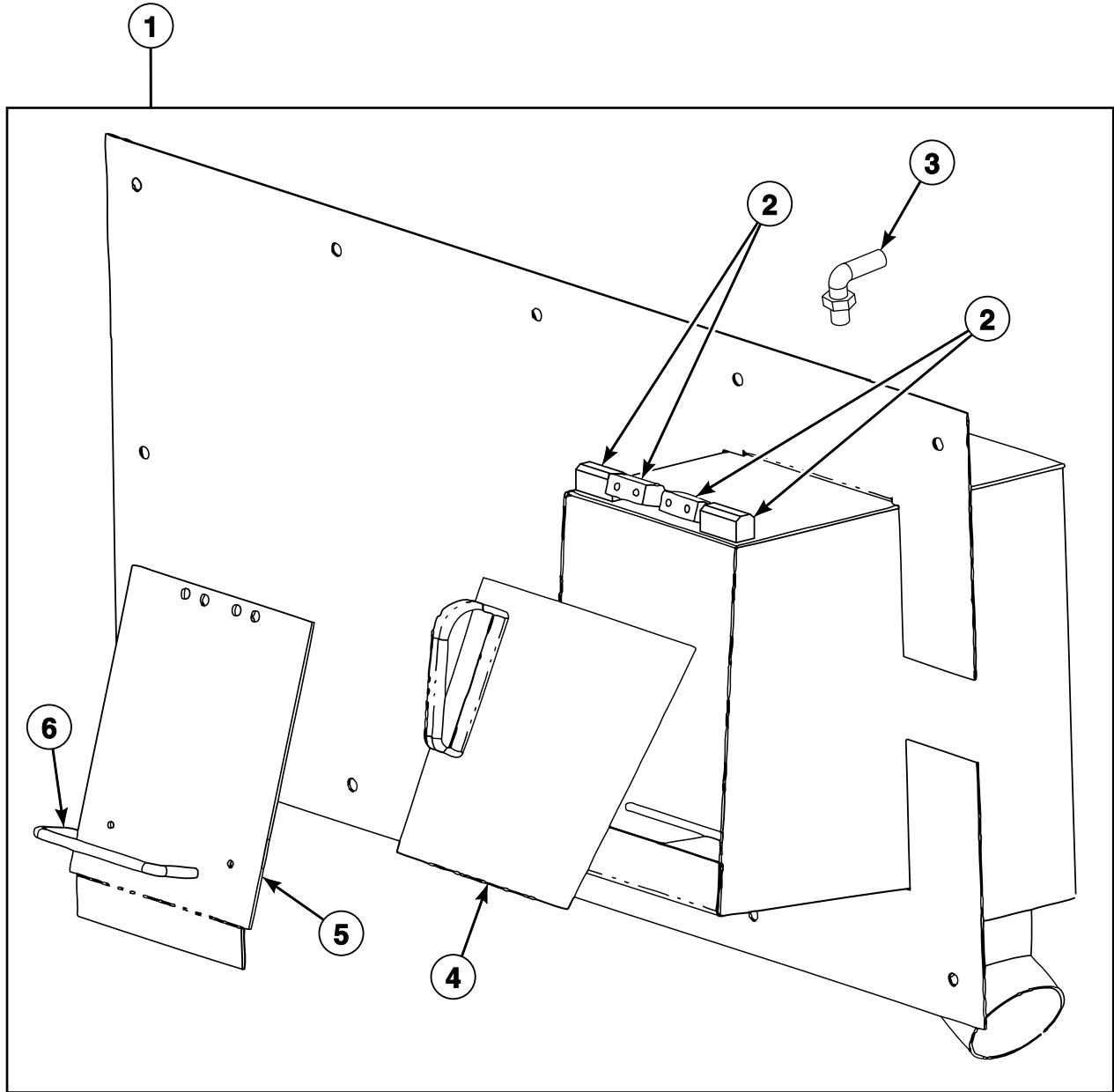
Single Cup Front Dispenser

REF	PART NO.	DESCRIPTION	COMMENTS
	F430920	Screw	4 required for hinges to cover for models through 3/23/04; 4 required for hinges to control panel for models through 3/23/04
	C001148	Screw	4 required for hinges to cover for models starting 3/23/04; 4 required for hinges to control panel for models starting 3/23/04
	F430909	Screw	2 required; Dispenser cover to handle
	F430925	Screw	2 required; Dispenser to control panel
	N/A	Nut	2 required; Dispenser to control panel
	C000552	Hose	Flush hose; 18 inches required; Models CP080PHN1, CP080PHQ1, CP080PMN1, CP080PMQ1, CPC80H, CPC80M, IP080PHN1, IP080PHQ1, IP080PMN1, IP080PMQ1, IPH80H, IPH80M, IPH370, JP080PHN1 and JP080PHQ1
	C000628P	Tubing	Flush hose; 19 inches required; Models CP100PHN1, CP100PHQ1, CP100PMN1, CP100PMQ1, CPC100H, CPC100M, IP100PHN1, IP100PHQ1, IP100PMN1, IP100PMQ1, IPH100H, IPH100M, IPH460, JP100PHN1, JP100PHQ1 and JP100PMQ1
1	C001788	Dispenser Door Handle	
2	C000605	Single Front Dispenser Cover	
3	C001787	Hinge	
4	C001017	Front Supply Dispenser Nozzle	
5	C000052	Supply Dispenser Cup	23 ounces
6	C000220	Single Dispenser Assembly	Includes items 1-5 and 7
7	C001007	Siphon Tube	

N/A = Part no longer available

Single Cup Side Dispenser

Models Starting 3/23/04

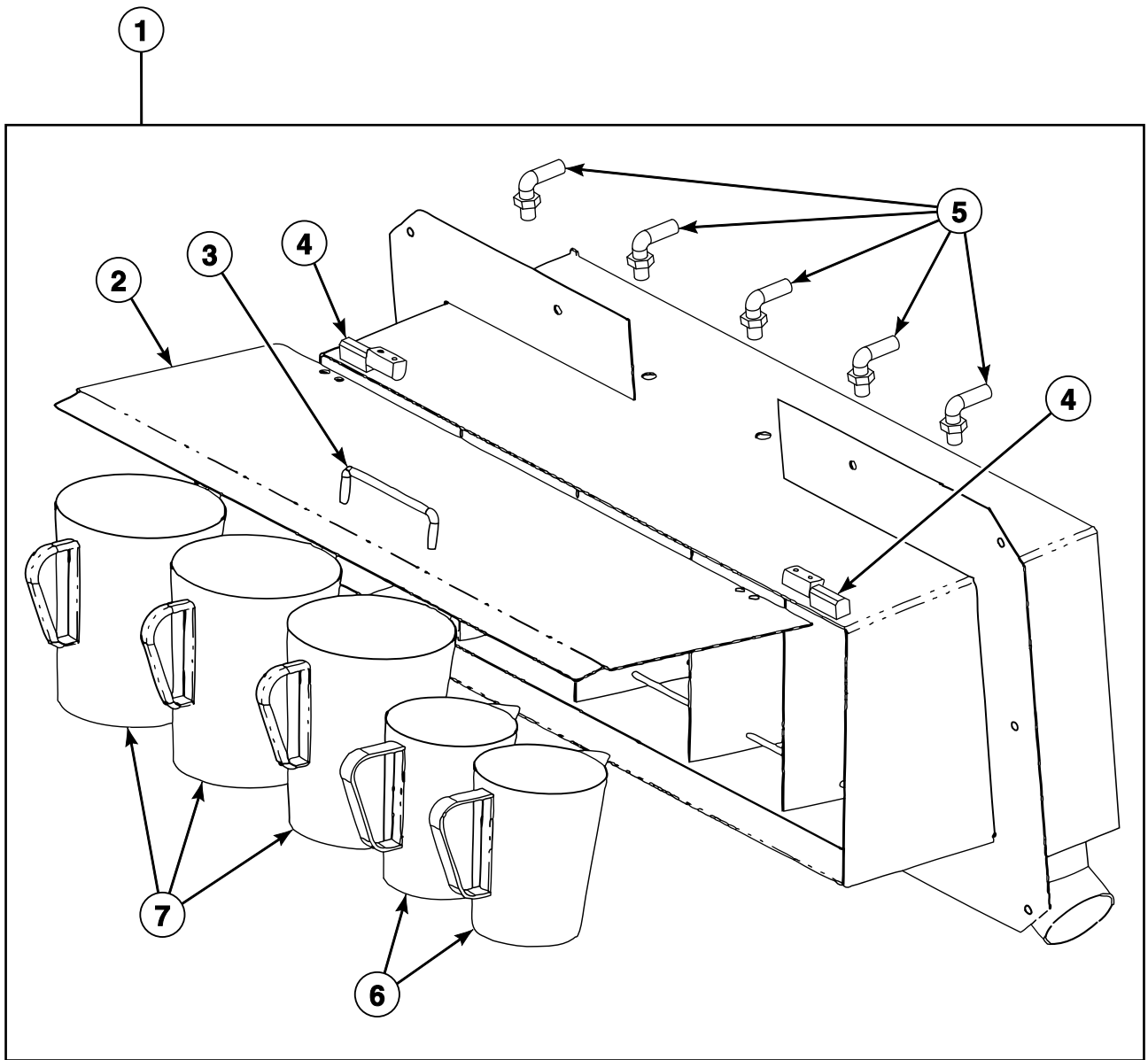


PHM2732P_C002634

Single Cup Side Dispenser

REF	PART NO.	DESCRIPTION	COMMENTS
	C001148	Screw	4 required for hinges to cover; 4 required for hinges to control panel
	F430909	Screw	2 required; Dispenser cover to handle
	F430925	Screw	12 required; Dispenser to side panel
	C000552	Hose	Flush hose; 18 inches required; Models CP080PHN1, CP080PHN2, CP080PHQ1, CP080PHQ2, CP080PMN1, CP080PMN2, CP080PMQ1, CPC80H, CPC80M, IP080PHN1, IP080PHN2, IP080PHQ1, IP080PHQ2, IP080PMN1, IP080PMN2, IP080PMQ1, IP080PMQ2, IPH80H, IPH80M, IPH370, JP080PHN1, JP080PHN2 and JP080PHQ1
	C000628P	Tubing	Flush hose; 19 inches required; Models CP100PHN1, CP100PHN2, CP100PHQ1, CP100PHQ2, CP100PMN1, CP100PMN2, CP100PMQ1, CPC100H, CPC100M, IP100PHN1, IP100PHN2, IP100PHQ1, IP100PMN1, IP100PMN2, IP100PMQ1, IPH100H, IPH100M, IPH460, JP100PHN1, JP100PHN2, JP100PHQ1 and JP100PMQ1
1	C001582	Single Side Dispenser Assembly	Includes items 2-6
2	C001787	Hinge	
3	C000073	Supply Dispenser Nozzle	
4	C000646	Supply Cup	1000 ml
5	C000855	Single Side Dispenser Door	
6	C001788	Dispenser Door Handle	

5 Cup Side Dispenser

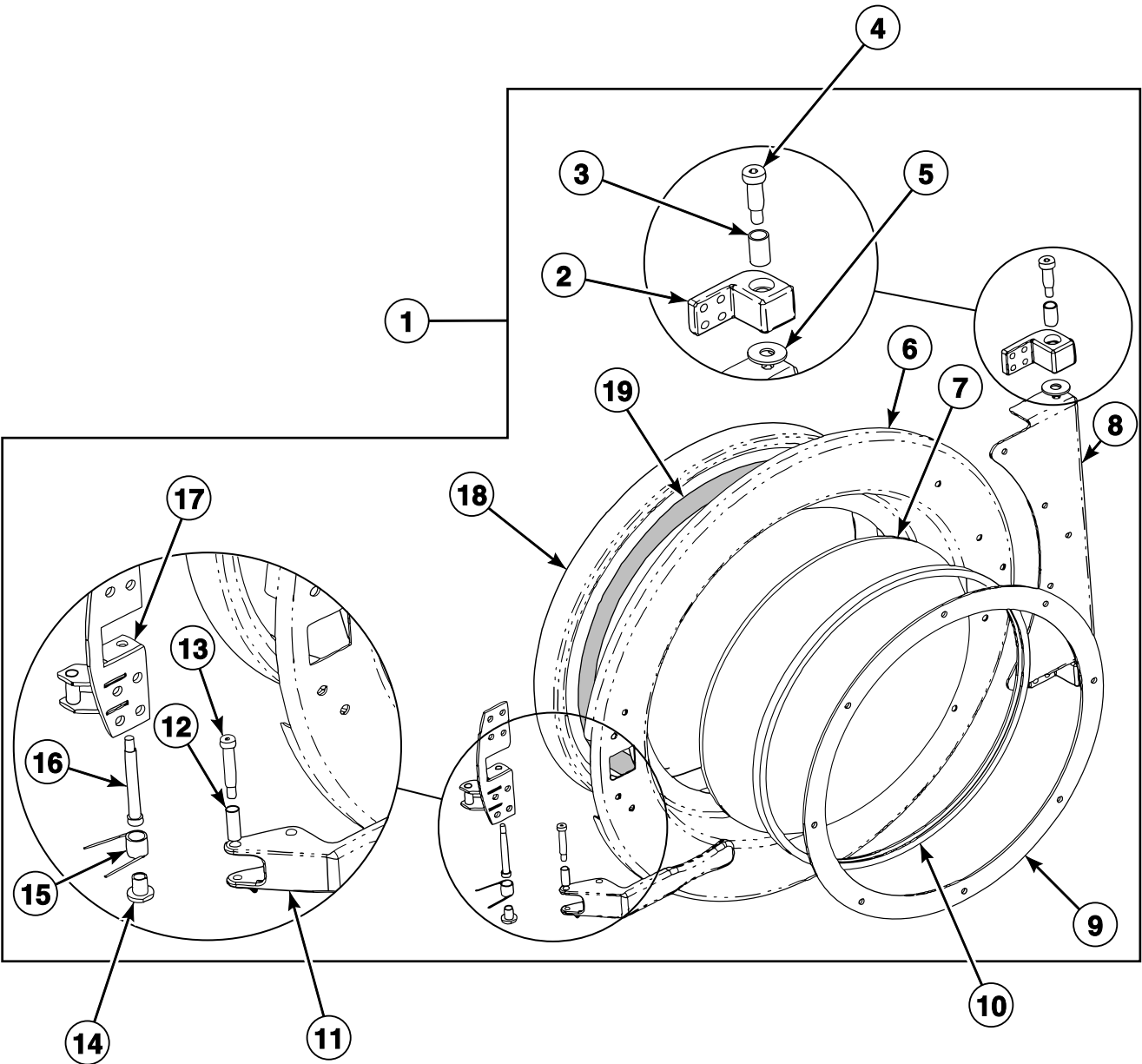


PHM2733P_C002634

5 Cup Side Dispenser

REF	PART NO.	DESCRIPTION	COMMENTS
	F430920	Screw	4 required for hinges to cover for models through 3/23/04; 4 required for hinges to control panel for models through 3/23/04
	C001148	Screw	4 required for hinges to cover for models starting 3/23/04; 4 required for hinges to control panel for models starting 3/23/04
	F430909	Screw	2 required; Dispenser cover to handle
	F430925	Screw	12 required; Dispenser to side panel
	C000552	Hose	Flush hose; 16 inches required for supply cup 1; 20 inches required for supply cup 2; 26 inches required for supply cup 3; 32 inches required for supply cup 4; 33 inches required for supply cup 5
	36801	Hose Clamp	12 required for models through 3/23/04; 7 required for models starting 3/23/04
	C001004	Spring Hose Clamp	5 required for models starting 3/23/04
1	C000648	Side Dispenser Assembly	Models through 3/23/04; Includes items 2, 6 and 7
	C001583	Side Dispenser Assembly	Models starting 3/23/04; Includes items 2-7
2	C000642	Side Dispenser Door	
3	C001788	Dispenser Door Handle	
4	C001787	Hinge	
5	C000073	Supply Dispenser Nozzle	
6	C000647	Supply Cup	500 ml
7	C000646	Supply Cup	1000 ml

Door Assembly - Models through 2/9/09

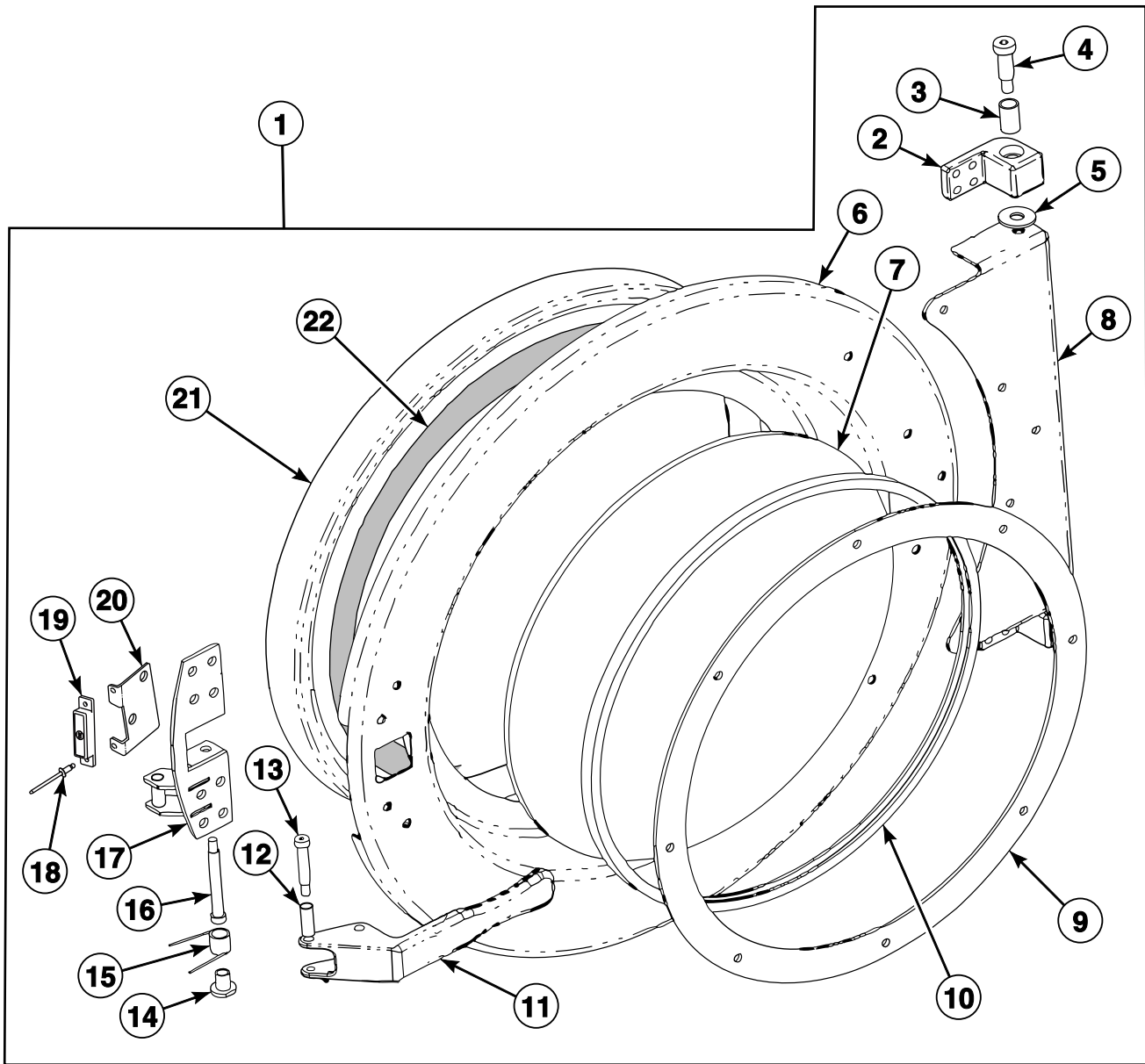


PHM2966P_C002634

Door Assembly - Models through 2/9/09

REF	PART NO.	DESCRIPTION	COMMENTS
	C000559	Bolt	8 required; Door hinge block to shell front
	C000574	Nut	8 required; Door hinge block to shell front
	803017	Nut	2 required; Door hinge block to hinge
	C000561	Bolt	5 required for door hinge to door; 4 required for door handle hinge to door for models through 3/23/04; 3 required for door handle hinge to door for models starting 3/24/04
	C000560	Nut	5 required for door hinge to door; 4 required for door handle hinge to door
	F8549401	Nut	8 required; Door glass retainer to door
	C000601	Stud	8 required; Door glass retainer to door
	F431024	Nut	1 required; Door handle to door handle hinge
	C001236	Nut	1 required; Door handle to door handle bushing
	C001546	Door Bumper	2 required; Models starting 3/23/04
	C001032	Screw	2 required; Door bumper; Models starting 3/23/04
1	C000134	Door Assembly	Includes items 2-19
2	C000175	Hinge Block	
3	C000176	Door Hinge Bushing	
4	F8549301	Bolt	
5	C000177	Washer	
6	C002725	Door Assembly	Includes nuts and studs
7	C000139	Door Glass	
8	C000608	Door Hinge	
9	C000607	Door Glass Retainer	
10	C000140P	Door Glass Gasket	
11	C000028P	Door Handle	Models through 3/23/04
	C001679P	Door Handle	Models starting 3/24/04
12	C000181	Door Handle Bushing	
13	C000180	Bolt	
14	C000192	Door Handle Spring Bushing	
15	C001786	Door Handle Torsion Spring	
16	C001785	Bolt	
17	C000470	Door Handle Hinge Weldment	
18	253/00162/01	Door Gasket	
19	F8513501	Shell Front Gasket Kit	6 feet required

Door Assembly - Models starting 2/10/09



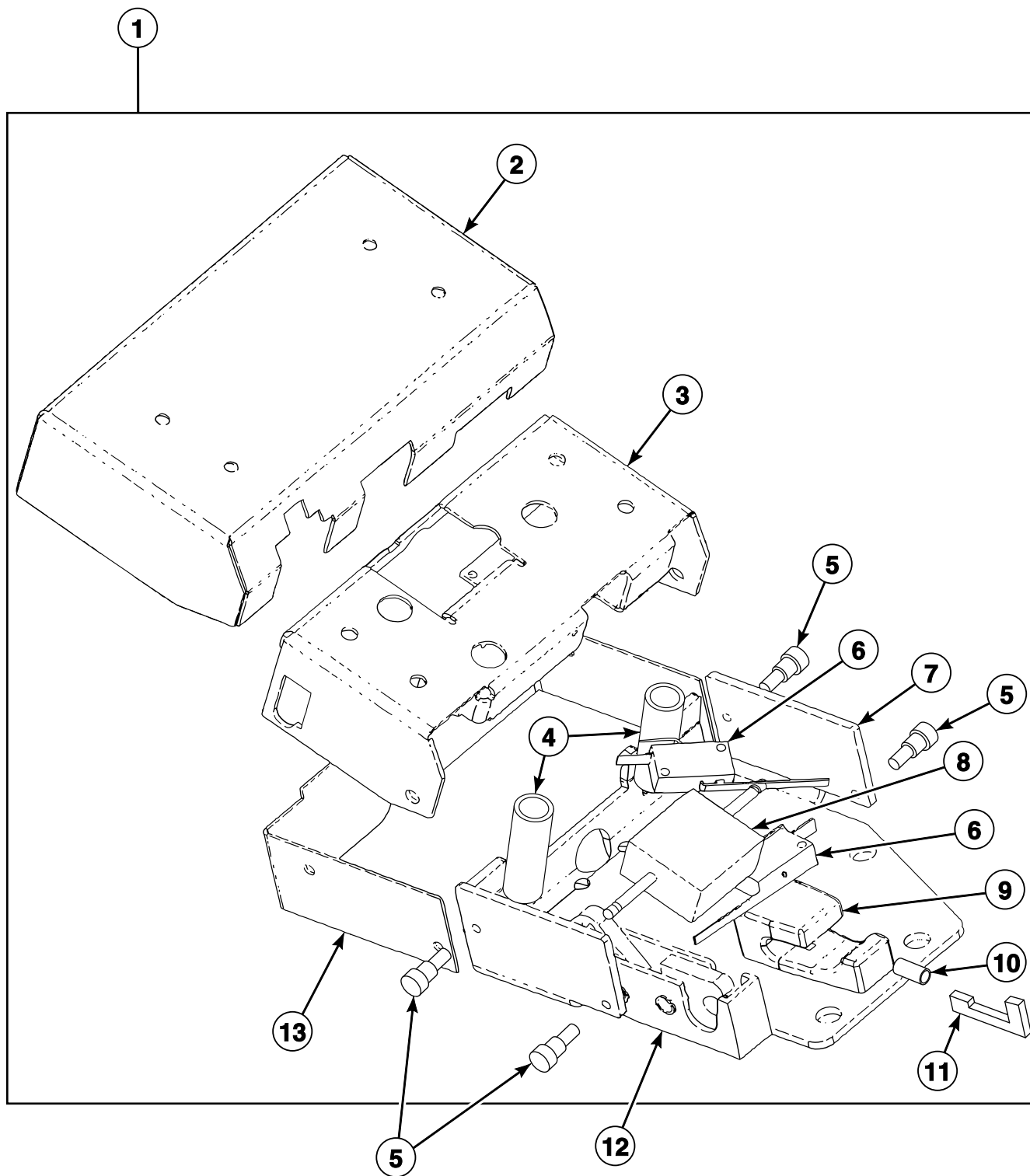
PHM3093P_C002634

Door Assembly - Models starting 2/10/09

REF	PART NO.	DESCRIPTION	COMMENTS
	C000559	Bolt	8 required; Door hinge block to shell front
	C000574	Nut	8 required; Door hinge block to shell front
	803017	Nut	2 required; Door hinge block to hinge
	C000561	Bolt	3 required for door handle hinge to door
	C000560	Nut	5 required for door hinge to door; 4 required for door handle hinge to door
	F8549401	Nut	8 required; Door glass retainer to door
	C000601	Stud	8 required; Door glass retainer to door
	F431024	Nut	1 required; Door handle to door handle hinge
	C001236	Nut	1 required; Door handle to door handle bushing
	C001546	Door Bumper	2 required
	C001032	Screw	2 required; Door bumper
1	C000134	Door Assembly	Includes items 2-22
2	C000175	Hinge Block	
3	C000176	Door Hinge Bushing	
4	F8549301	Bolt	
5	C000177	Washer	
6	C002725	Door Assembly	Includes nuts and studs
7	C000139	Door Glass	
8	C000608	Door Hinge	
9	C000607	Door Glass Retainer	
10	C000140P	Door Glass Gasket	
11	C001679P	Door Handle	
12	C000181	Door Handle Bushing	
13	C000180	Bolt	
14	C000192	Door Handle Spring Bushing	
15	C001786	Door Handle Torsion Spring	
16	C001785	Bolt	
17	C000470	Door Handle Hinge Weldment	
18	F431223	Pop Rivet	
19	F8390801	Magnet	
20	C002994	Door Magnet Mounting Bracket	
21	253/00162/01	Door Gasket	
22	F8513501	Shell Front Gasket Kit	6 feet required

Door Lock Assembly

Models Through Serial No. 0902007001



PHM2735P_C002634

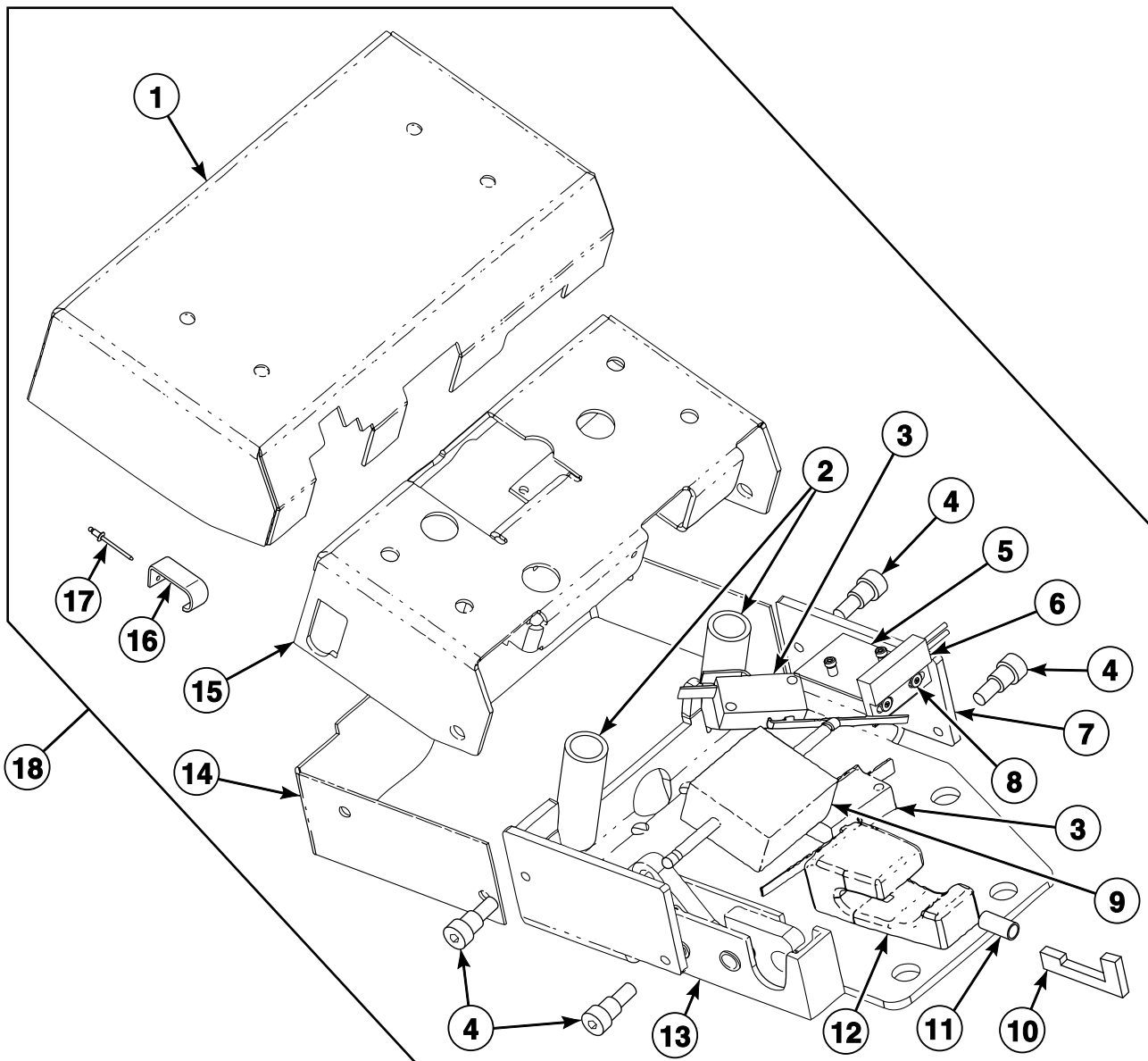
Door Lock Assembly

REF	PART NO.	DESCRIPTION	COMMENTS
	81398	Screw	4 required; Door lock cover to solenoid bracket; Models starting 3/23/04
	C003291	Jump Wire	
	C000430	Bolt	4 required; Door lock cover to door lock plate; Models through 3/23/04
	C000614	Screw	2 required for door lock switch to door lock plate; 2 required for door lock switch to door lock solenoid bracket
	C000578	Nut	2 required for door lock switch to door lock plate; 2 required for door lock switch to door lock solenoid bracket
	C000561	Bolt	4 required; Door lock to shell front
	C000574	Nut	4 required; Door lock to shell front
	C000567	Screw	2 required; Door latch to door lock plate
	C000571	Washer	2 required; Door latch to door lock plate; Models starting 3/23/04
	C000572	Screw	2 required; Door lock solenoid to bracket
	C000612	Screw	3 required; Door lock catch to door lock plate
	C000576	Nut	2 required; Door solenoid bracket to door lock plate
	C000867P	Door Lock Harness	
1	N/A	Door Lock Assembly	Includes items 2-13; Models through 7/14/11 with C001036P Door Lock Assembly MUST order C002996M Door Lock Kit
	C002996M	Door Lock Kit	
2	C000688	Door Lock Cover	
3	C003022	Door Lock Solenoid Bracket	
4	C000431	Spring	
5	C000613	Screw	Models through 3/23/04
	C000430	Bolt	Models starting 3/23/04
6	C000278	Door Lock Microswitch	
7	C000684	Door Lock Plate	
8	C000184P	Door Lock Solenoid	
9	C000185	Door Lock Catch	
10	C000276	Door Lock Slide Spring	
11	C000271	Door Lock Switch Slide	
12	N/A	Door Latch	Models through 3/23/04
	C001244	Door Latch	Models starting 3/23/04
13	C000687	Door Lock Spring Cover	

N/A = Part no longer available

Door Lock Assembly with Magnetic Sensor

Models Starting Serial No. 0902007002



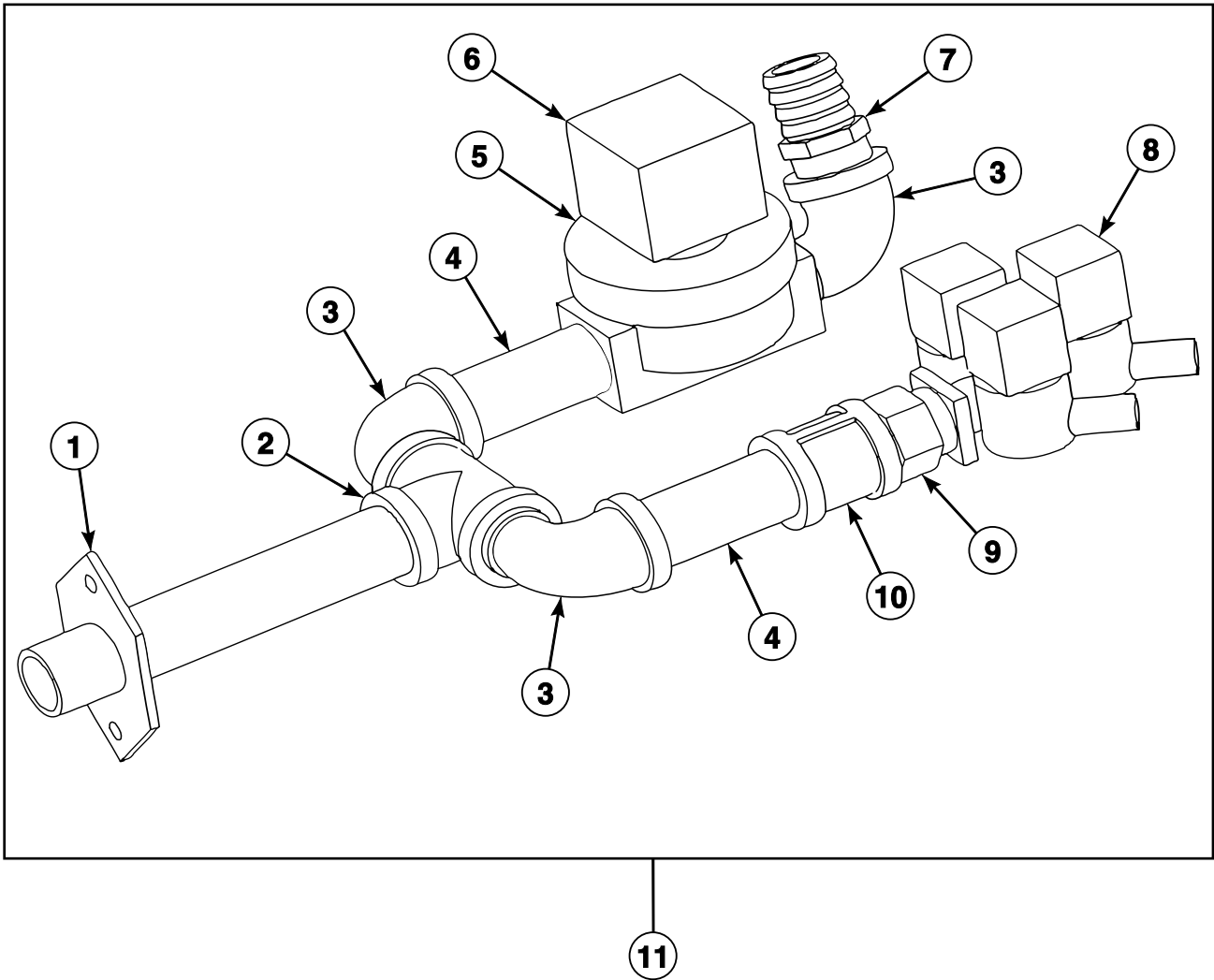
PHM3149P_C002634

Door Lock Assembly with Magnetic Sensor

REF	PART NO.	DESCRIPTION	COMMENTS
	81398	Screw	4 required for door lock cover to solenoid bracket; Models starting 3/23/04
	C003291	Jump Wire	
	C000613	Screw	2 required for door solenoid bracket to door lock plate; Models through 3/23/04
	C000614	Screw	2 required for door lock switch to door lock plate; 2 required for door lock switch to door lock solenoid bracket
	C000578	Nut	2 required for door lock switch to door lock plate; 2 required for door lock switch to door lock solenoid bracket
	C000561	Bolt	4 required for door lock to shell front
	C000574	Nut	4 required for door lock to shell front
	C000567	Screw	2 required for door latch to door lock plate
	C000571	Washer	2 required for door latch to door lock plate; Models starting 3/23/04
	C000572	Screw	2 required for door lock solenoid to bracket
	C000612	Screw	3 required for door lock catch to door lock plate
	C000576	Nut	2 required for door solenoid cover to door lock plate
	C000867P	Door Lock Harness	
1	C000688	Door Lock Cover	
2	C000431	Spring	
3	C000278	Door Lock Microswitch	
4	C000430	Bolt	4 required for door solenoid bracket to door lock plate for models starting 3/23/04; 4 required for door lock cover to door lock plate for models through 3/23/04
5	C002995	Magnetic Door Switch Bracket	
6	C003000	Reed Switch Assembly	
7	C000684	Door Lock Plate	
8	J1111905	Blind Rivet	
9	C000184P	Door Lock Solenoid	
10	C000271	Door Lock Switch Slide	
11	C000276	Door Lock Slide Spring	
12	C000185	Door Lock Catch	
13	N/A	Door Latch	Models through 3/23/04
	C001244	Door Latch	Models starting 3/23/04
14	C000687	Door Lock Spring Cover	
15	C003022	Door Lock Solenoid Bracket	
16	B12351001	Door Lock Spring	Models starting 12/13/10
17	F431215	Pop Rivet	Models starting 12/13/10
18	C002996M	Door Lock Kit	Includes items 1-17; Models that have been upgraded with C002996M Door Lock Kit

N/A = Part no longer available

5 Cup Hot Water Plumbing Assembly

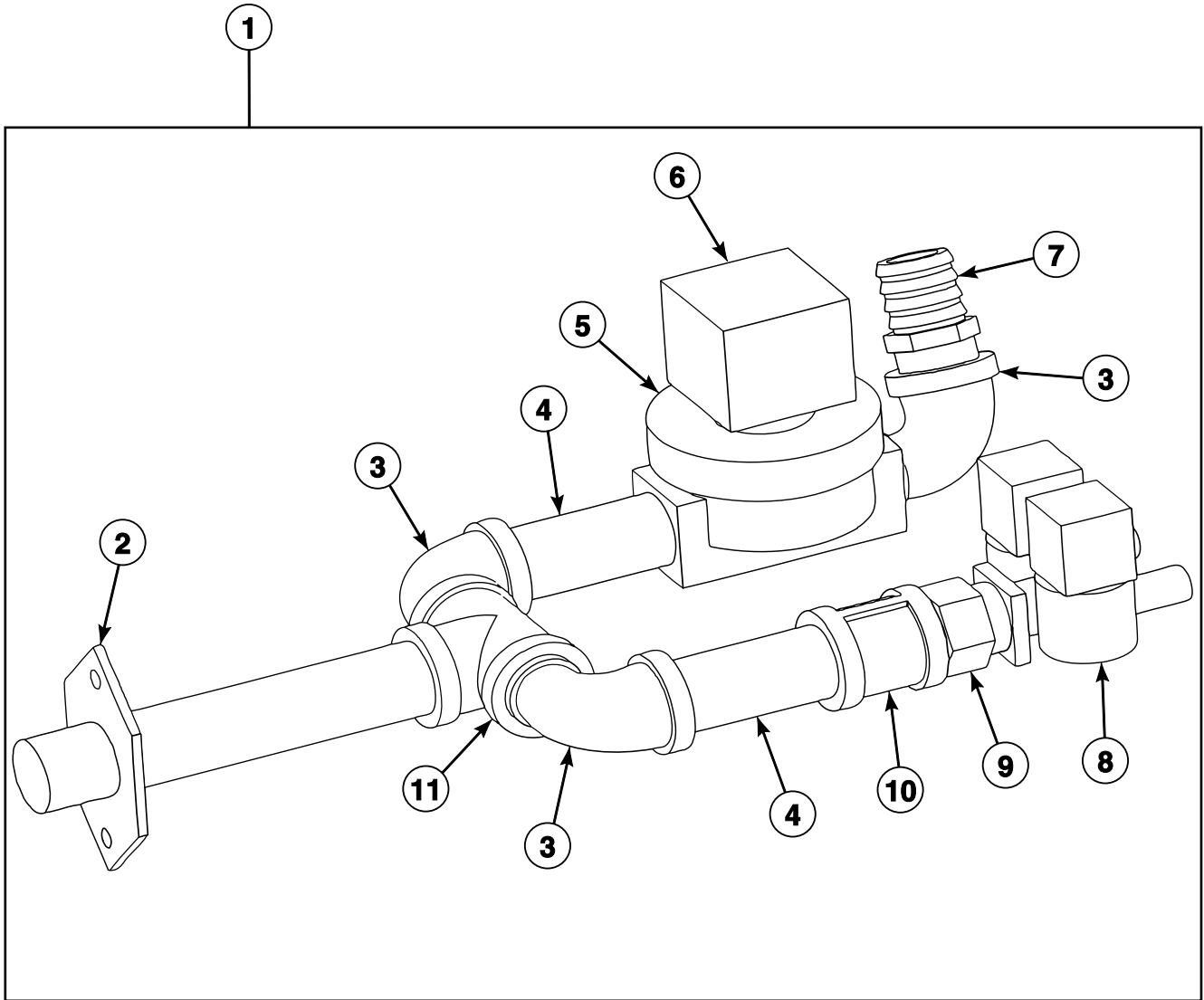


PHM2736P_C002634

5 Cup Hot Water Plumbing Assembly

REF	PART NO.	DESCRIPTION	COMMENTS
	C000567	Screw	2 required; Hot manifold to valve panel
	F431024	Nut	2 required; Hot manifold to valve panel
	F200128P	Water Hose	Water valve to vacuum breaker; Models CP080PHN1, CP080PHN2, CP080PHQ1, CP080PHQ2, CP080PMN1, CP080PMN2, CP080PMQ1, CPC80H, CPC80M, IP080PHN1, IP080PHN2, IP080PHQ1, IP080PHQ2, IP080PMN1, IP080PMN2, IP080PMQ1, IP080PMQ2, IPH80H, IPH80M, IPH370, JP080PHN1, JP080PHN2, JP080PHQ1 and JP100PMQ1 20 inches required; Models CP100PHN1, CP100PHN2, CP100PHQ1, CP100PHQ2, CP100PMN1, CP100PMN2, CP100PMQ1, CPC100H, CPC100M, IP100PHN1, IP100PHN2, IP100PHQ1, IP100PMN1, IP100PMN2, IP100PMQ1, IPH100H, IPH100M, IPH460, JP100PHN1, JP100PHN2 and JP100PHQ1 21 inches required
	F200222	Hose Clamp	4 required; Water valve to vacuum breaker
	F200201	Hose Clamp	4 required; Fill inlet hose
	F380991P	Water Valve Repair Kit	3/4 inch; Use with F381700P Valve
	C002611P	Inlet Valve Harness	
	F8514701	Coil	Use with F8322909 Steam Valve
	F8382301	DIN Valve Adapter Kit	Use with F8322909 Steam Valve
	F8456202P	Valve Transition Kit	Use with F8322909 Steam Valve
1	C001366	Flange and Nipple Assembly	
2	F420403	Tee	
3	F420502	Street Elbow	
4	F420107	Nipple	
5	F8322909P	Valve	Replaces F381700P Valve; Includes F8322909 Valve and F8514701 Coil
6	F380986P	DIN Coil	120 Volt
	F380987P	DIN Coil	240 Volt
7	F421951	Hose Barb	
8	C000436P	Water Valve	3-way
	G582P3	Diaphragm and Guide Kit	
9	C000424	Adapter	
10	C000420	Coupling	
11	C000426	Hot Plumbing Assembly	

1 Cup Hot Water Plumbing Assembly

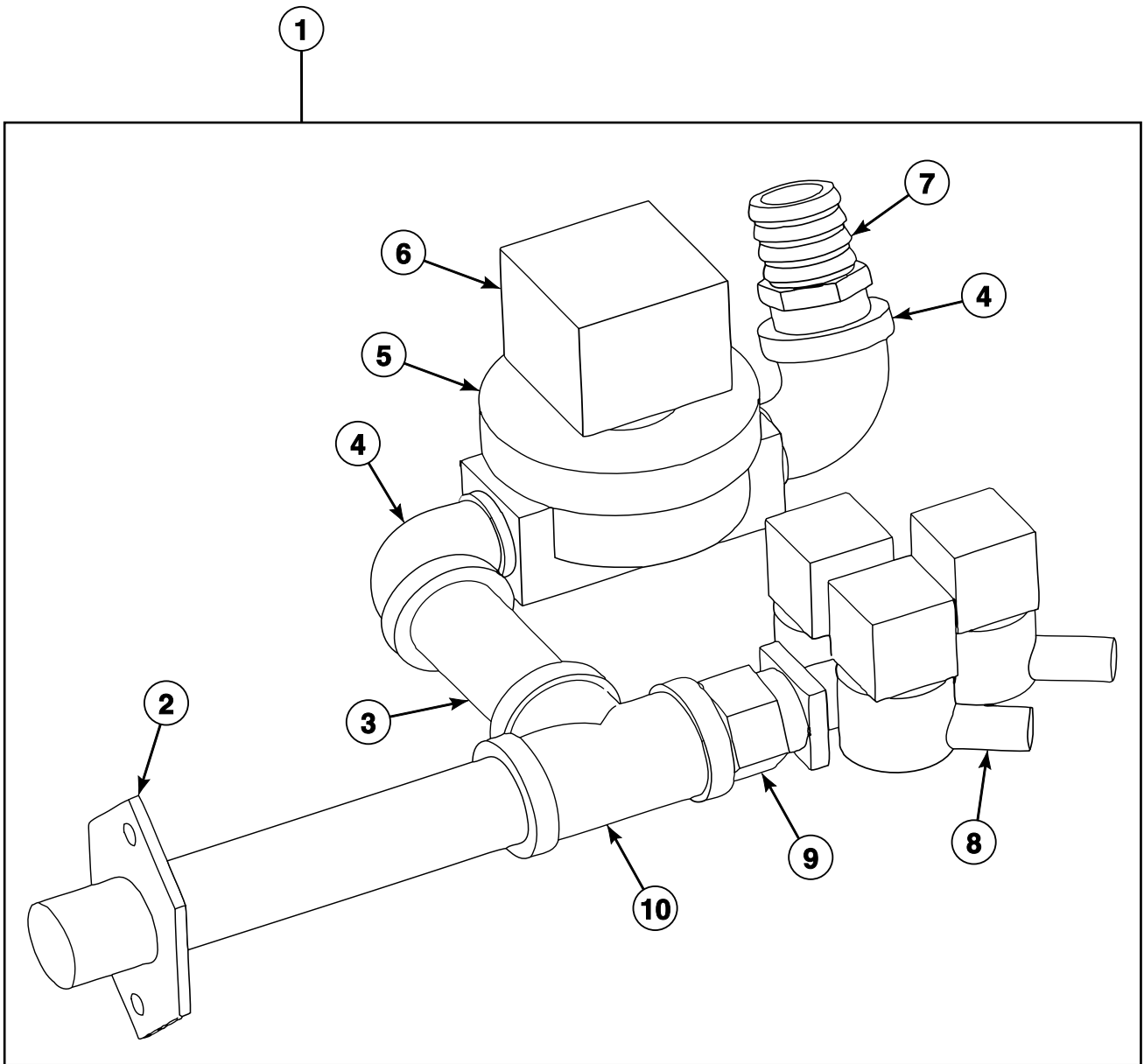


PHM2737P_C002634

1 Cup Hot Water Plumbing Assembly

REF	PART NO.	DESCRIPTION	COMMENTS
	C000567	Screw	2 required; Hot manifold to valve panel
	F431024	Nut	2 required; Hot manifold to valve panel
	F200128P	Water Hose	Water valve to vacuum breaker; 20 inches required; Models CP080PHN1, CP080PHN2, CP080PHQ1, CP080PHQ2, CP080PMN1, CP080PMN2, CP080PMQ1, CPC80H, CPC80M, IP080PHN1, IP080PHN2, IP080PHQ1, IP080PHQ2, IP080PMN1, IP080PMN2, IP080PMQ1, IP080PMQ2, IPH80H, IPH80M, IPH370, JP080PHN1, JP080PHN2 and JP080PHQ1
	C000552	Hose	Water valve to vacuum breaker; 21 inches required; Models CP100PHN1, CP100PHN2, CP100PHQ1, CP100PHQ2, CP100PMN1, CP100PMN2, CP100PMQ1, CPC100H, CPC100M, IP100PHN1, IP100PHN2, IP100PHQ1, IP100PMN1, IP100PMN2, IP100PMQ1, IPH100H, IPH100M, IPH460, JP100PHN1, JP100PHN2, JP100PHQ1 and JP100PMQ1
	F200222	Hose Clamp	4 required; Water valve to vacuum breaker
	F200201	Hose Clamp	4 required; Fill inlet hose
	F380991P	Water Valve Repair Kit	3/4 inch; Use with F381700P Valve
	C002608P	Inlet Valve Harness	
	F8514701	Coil	Use with F8322909 Steam Valve
	F8382301	DIN Valve Adapter Kit	Use with F8322909 Steam Valve
	F8456202P	Valve Transition Kit	Use with F8322909 Steam Valve
1	C001664	Hot Plumbing Assembly	
2	C001366	Flange and Nipple Assembly	
3	F420502	Street Elbow	
4	F420107	Nipple	
5	F8322909P	Valve	Replaces F381700P Valve; Includes F8322909 Valve and F8514701 Coil
6	F380986P	DIN Coil	120 Volt
	F380987P	DIN Coil	240 Volt
7	F421951	Hose Barb	
8	C000716P	Valve	2-way
	G582P3	Diaphragm and Guide Kit	
9	C000424	Adapter	
10	C000420	Coupling	
11	F420403	Tee	

5 Cup Cold Water Plumbing Assembly

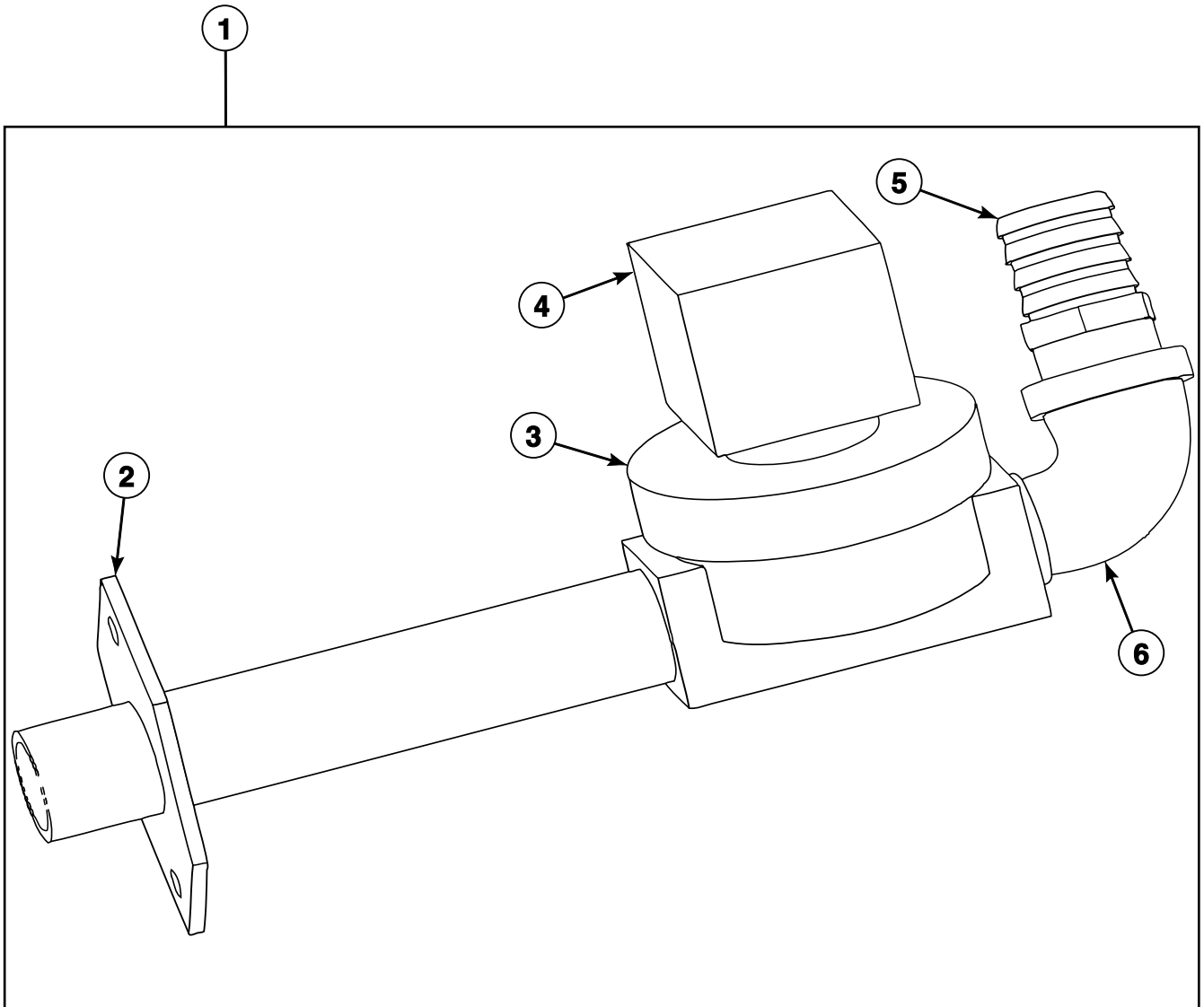


PHM2738P_C002634

5 Cup Cold Water Plumbing Assembly

REF	PART NO.	DESCRIPTION	COMMENTS
	C000567	Screw	2 required; Cold manifold to valve panel
	F431024	Nut	2 required; Cold manifold to valve panel
	F200128P	Water Hose	Water valve to vacuum breaker; Models CP080PHN1, CP080PHN2, CP080PHQ1, CP080PHQ2, CP080PMN1, CP080PMN2, CP080PMQ1, CPC80H, CPC80M, IP080PHN1, IP080PHN2, IP080PHQ1, IP080PHQ2, IP080PMN1, IP080PMN2, IP080PMQ1, IP080PMQ2, IPH80H, IPH80M, IPH370, JP080PHN1, JP080PHN2, JP080PHQ1 and JP100PMQ1 15 inches required; Models CP100PHN1, CP100PHN2, CP100PHQ1, CP100PHQ2, CP100PMN1, CP100PMN2, CP100PMQ1, CPC100H, CPC100M, IP100PHN1, IP100PHN2, IP100PHQ1, IP100PMN1, IP100PMN2, IP100PMQ1, IPH100H, IPH100M, IPH460, JP100PHN1, JP100PHN2 and JP100PHQ1 16 inches required
	F200222	Hose Clamp	4 required; Water valve to vacuum breaker
	F200201	Hose Clamp	4 required; Fill inlet hose
	F380991P	Water Valve Repair Kit	3/4 inch; Use with F381700P Valve
	C002611P	Inlet Valve Harness	
	F8514701	Coil	Use with F8322909 Steam Valve
	F8382301	DIN Valve Adapter Kit	Use with F8322909 Steam Valve
	F8456202P	Valve Transition Kit	Use with F8322909 Steam Valve
1	C000425	Cold Plumbing Assembly	
2	C001366	Flange and Nipple Assembly	
3	F420107	Nipple	
4	F420502	Street Elbow	
5	F8322909P	Valve	Replaces F381700P Valve; Includes F8322909 Valve and F8514701 Coil
6	F380986P	DIN Coil	120 Volt
	F380987P	DIN Coil	240 Volt
7	F421951	Hose Barb	
8	C000436P	Water Valve	3-way
	G582P3	Diaphragm and Guide Kit	
9	C000424	Adapter	
10	F420403	Tee	

1 Cup Cold Plumbing Assembly

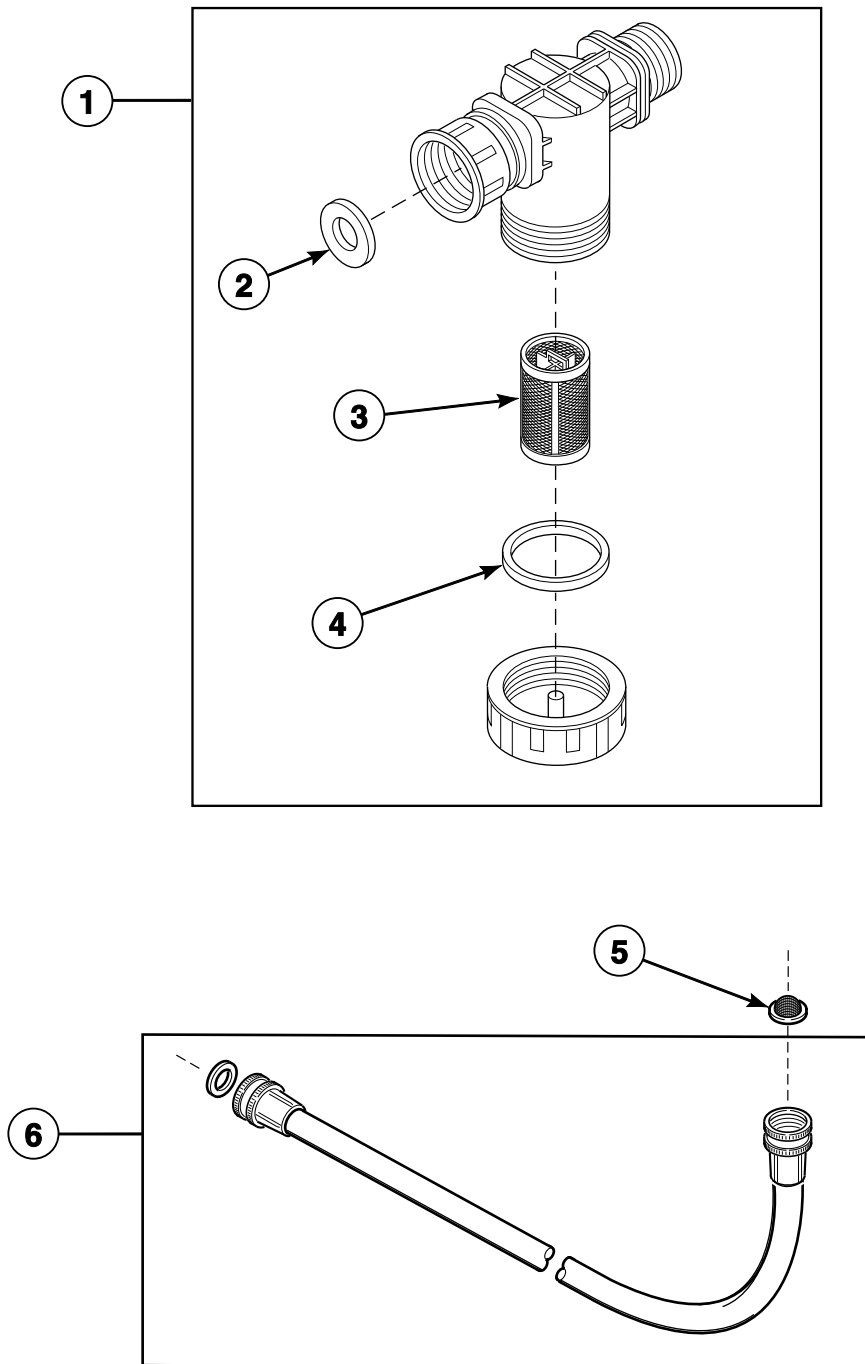


PHM2739P_C002634

1 Cup Cold Plumbing Assembly

REF	PART NO.	DESCRIPTION	COMMENTS
	C000567	Screw	2 required; Cold manifold to valve panel
	F431024	Nut	2 required; Cold manifold to valve panel
	F200128P	Water Hose	Water valve to vacuum breaker; 14 inches required; Models CP080PHN1, CP080PHN2, CP080PHQ1, CP080PHQ2, CP080PMN1, CP080PMN2, CP080PMQ1, CPC80H, CPC80M, IP080PHN1, IP080PHN2, IP080PHQ1, IP080PHQ2, IP080PMN1, IP080PMN2, IP080PMQ1, IP080PMQ2, IPH80H, IPH80M, IPH370, JP080PHN1, JP080PHN2 and JP080PHQ1
	C000552	Hose	Water valve to vacuum breaker; 14 inches required; Models CP100PHN1, CP100PHN2, CP100PHQ1, CP100PHQ2, CP100PMN1, CP100PMN2, CP100PMQ1, CPC100H, CPC100M, IP100PHN1, IP100PHN2, IP100PHQ1, IP100PMN1, IP100PMN2, IP100PMQ1, IPH100H, IPH100M, IPH460, JP100PHN1, JP100PHN2, JP100PHQ1 and JP100PMQ1
	F200222	Hose Clamp	4 required; Water valve to vacuum breaker
	F200201	Hose Clamp	4 required; Fill inlet hose
	F380991P	Water Valve Repair Kit	3/4 inch; Use with F381700P Valve
	C002608P	Inlet Valve Harness	
	F8514701	Coil	Use with F8322909 Steam Valve
	F8382301	DIN Valve Adapter Kit	Use with F8322909 Steam Valve
	F8456202P	Valve Transition Kit	Use with F8322909 Steam Valve
1	C001106	Cold Plumbing Assembly	
2	C001366	Flange and Nipple Assembly	
3	F8322909P	Valve	Replaces F381700P Valve; Includes F8322909 Valve and F8514701 Coil
4	F380986P	DIN Coil	120 Volt
	F380987P	DIN Coil	240 Volt
5	F421951	Hose Barb	
6	F420502	Street Elbow	

Supply Hose and Filter (Optional)



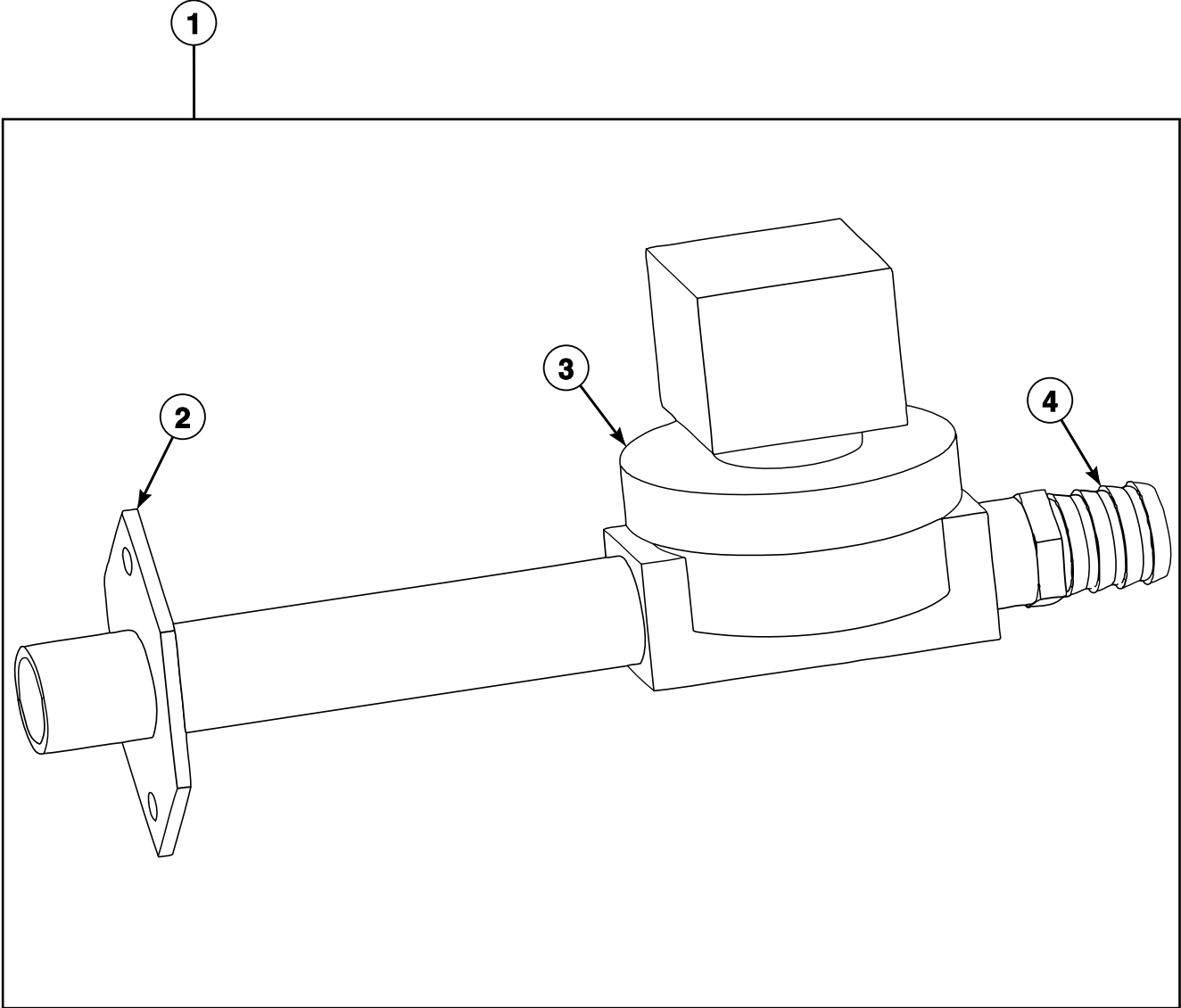
B091P_C002634

Supply Hose and Filter (Optional)

REF	PART NO.	DESCRIPTION	COMMENTS
1	F270306P	Filter	Standard thread
	F270305	Filter	Metric Thread
2	20290	Washer	
3	F270406	Replacement Filter	.11 mm
	F270405	Replacement Filter	.25 mm
4	F270407	Filter Housing Cap Gasket	
5	803615	Washer	Filter
6	F200116	Water Hose	3/8 inch; Standard thread
	F200164	Water Hose	3/4 inch; Standard thread
	F200165	Water Hose	3/8 inch; Metric thread
	F200166	Water Hose	3/4 inch; Metric thread

Auxiliary Plumbing Assembly

Models Starting 3/23/04

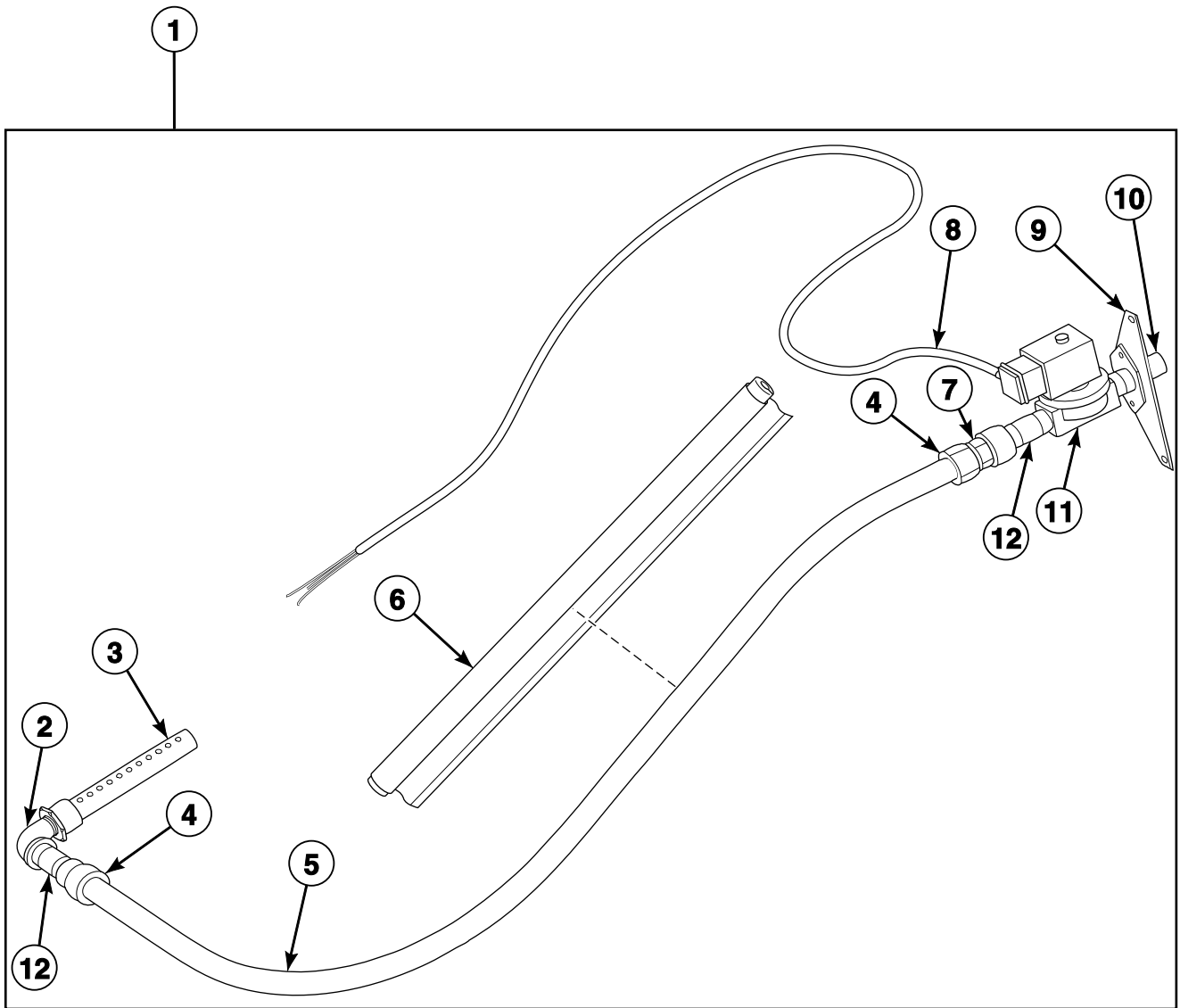


PHM2740P_C002634

Auxiliary Plumbing Assembly

REF	PART NO.	DESCRIPTION	COMMENTS
	F8514701	Coil	Use with F8322909 Steam Valve
	F8382301	DIN Valve Adapter Kit	Use with F8322909 Steam Valve
	F8456202P	Valve Transition Kit	Use with F8322909 Steam Valve
	F380991P	Water Valve Repair Kit	3/4 inch; Use with F381700P Valve
1	C001187	Auxiliary Plumbing Assembly	
2	C001366	Flange and Nipple Assembly	
3	F8322909P	Valve	Replaces F381700P Valve; Includes F8322909 Valve and F8514701 Coil
4	F421951	Hose Barb	

Steam Heat Assembly

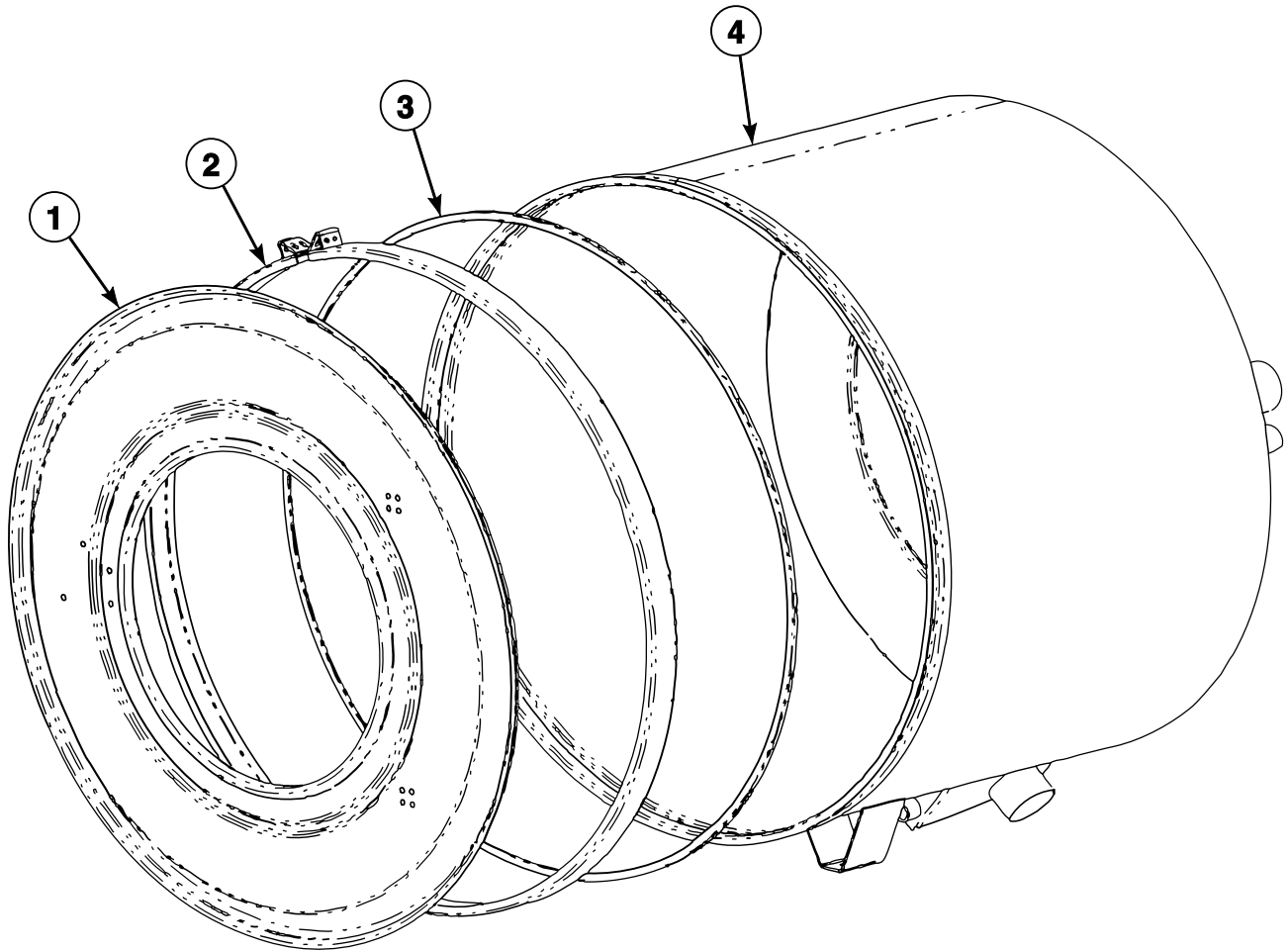


PHM2904P_C002634

Steam Heat Assembly

REF	PART NO.	DESCRIPTION	COMMENTS
1	C001001	Steam Option Assembly	
2	F421707	Street Elbow	
3	F603132	Steam Injector Tube Assembly	
4	C000978	Reducing Coupling	
5	C000982	Steam Hose	
6	C001003	Steam Hose Insulation	
7	C001587	Steam Hose Adapter	
8	C002748P	Steam Cord Assembly	
9	C000981	Steam Valve Mounting Bracket	
10	C002898	Steam Inlet Weldment	
11	F8322904P	Steam Valve	
12	F421323	Nipple	

Shell Assembly



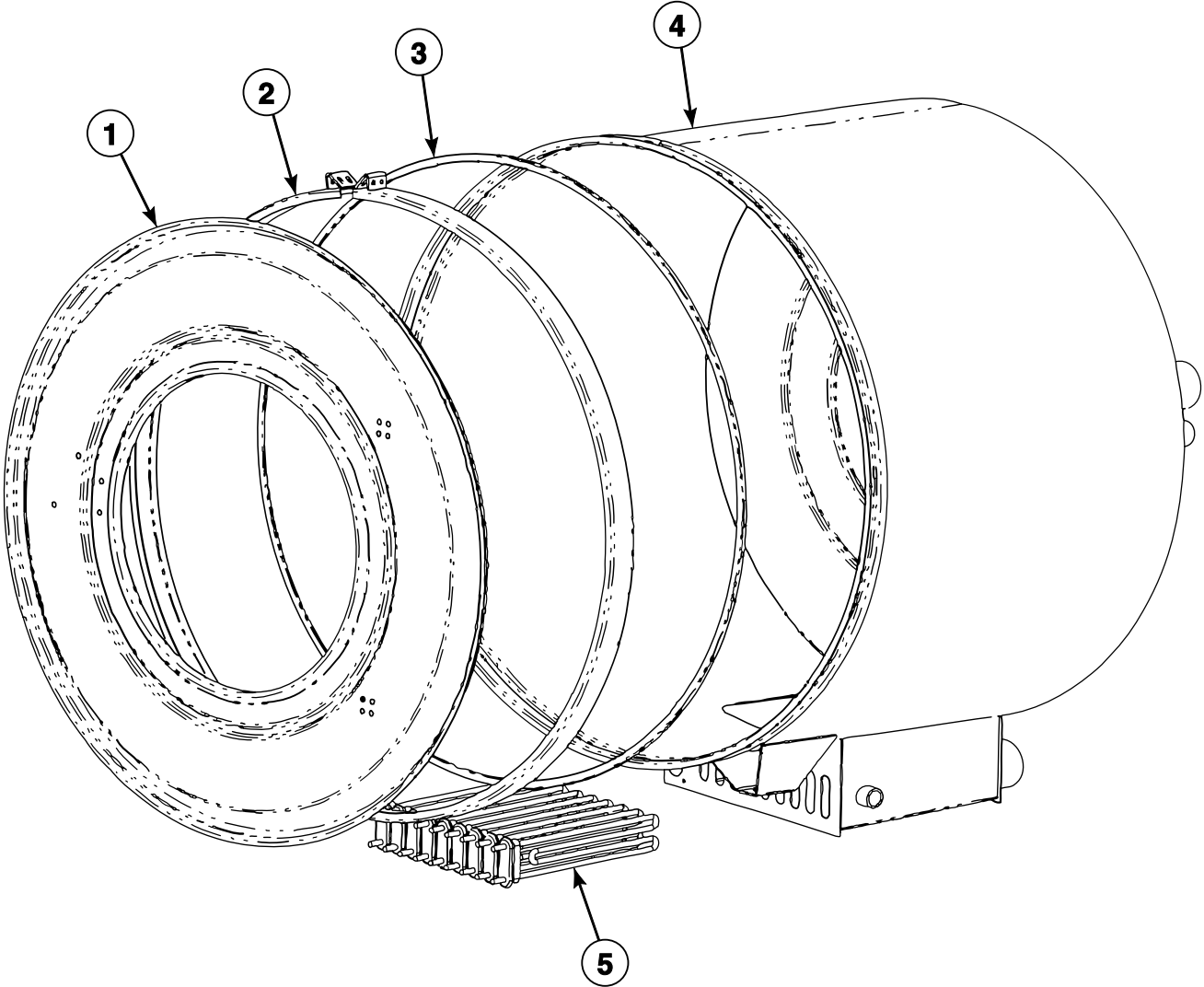
PHM2742P_C002634

Shell Assembly

REF	PART NO.	DESCRIPTION	COMMENTS
	C001856	Screw	2 required; To hold shell band together
	F431024	Nut	2 required; To hold shell band together
	C000590	Washer	4 required for models through 3/23/04; As required for models starting 3/23/04; To hold shell band together
	C000273	Bolt	4 required for shell support bracket to frame; 2 required for shell support bracket to shell
	C000611	Nut	4 required for shell support bracket to frame; 2 required for shell support bracket to shell
	C000583	Washer	8 required for shell support bracket to frame; 4 required for shell support bracket to shell
	C000561	Bolt	8 required; Models through 3/23/04; Shell back to frame
	C001032	Screw	8 required; Models starting 3/23/04; Shell back to frame
1	C002977	Shell Front	
2	N/A	Shell Band	Models through 3/23/04
	F601216	Shell Gasket Shield	Models through 3/23/04
	C000660	Shell Band Weldment	Models starting 3/23/04
3	N/A	Shell Front Gasket	Models through 3/23/04
	C001764P	Shell Front Gasket	Models starting 3/23/04
4	C000105	Shell Assembly	Models CP080PHN1, CP080PHN2, CP080PHQ1, CP080PHQ2, CP080PMN1, CP080PMN2, CP080PMQ1, CPC80H, CPC80M, IP080PHN1, IP080PHN2, IP080PHQ1, IP080PHQ2, IP080PMN1, IP080PMN2, IP080PMQ1, IP080PMQ2, IPH80H, IPH80M, IPH370, JP080PHN1, JP080PHN2 and JP080PHQ1
	C000103	Shell Assembly	All other models

N/A = Part no longer available

Shell Assembly - Electric Heat Models



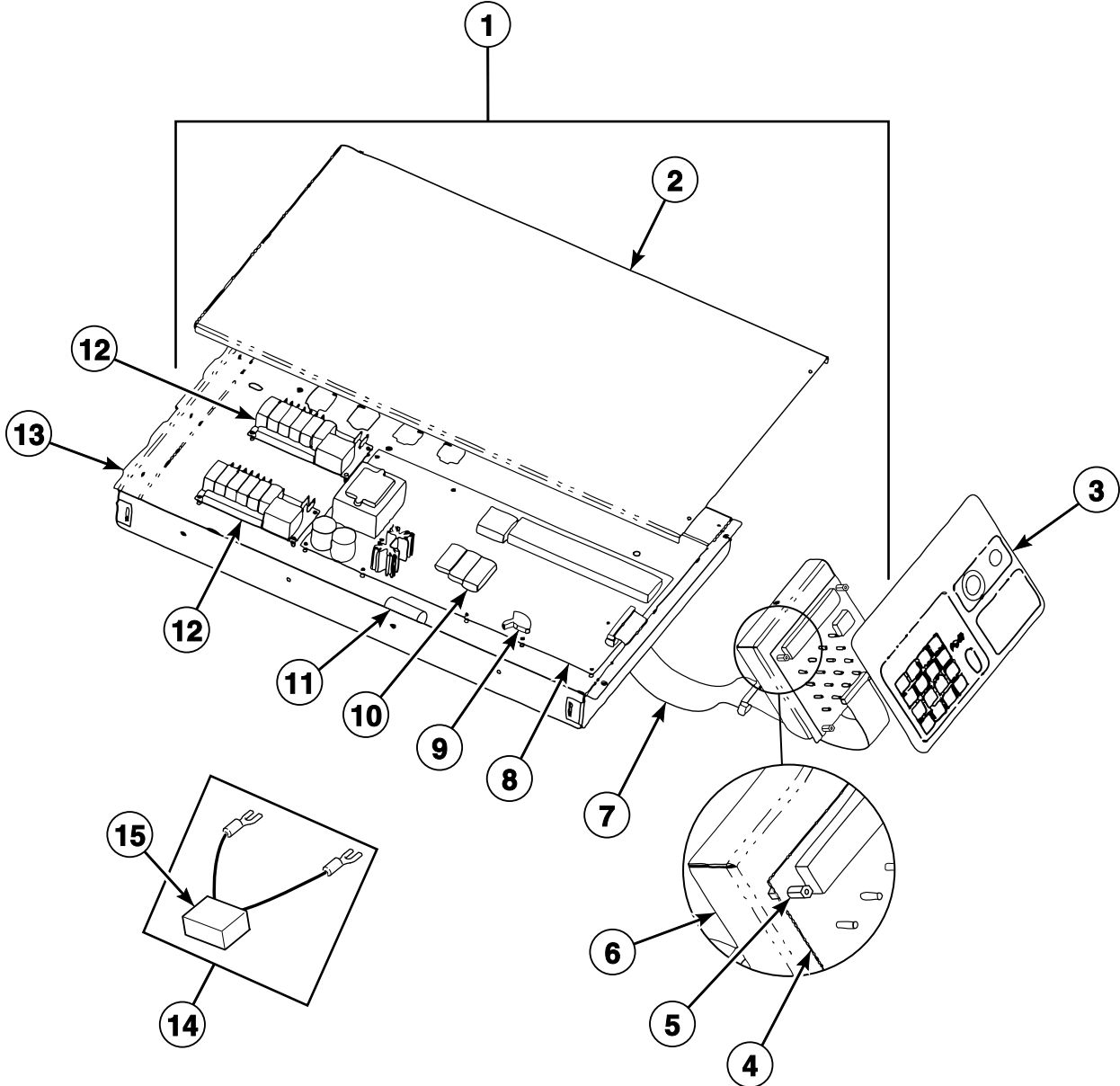
PHM2743P_C002634

Shell Assembly - Electric Heat Models

REF	PART NO.	DESCRIPTION	COMMENTS
	C001856	Screw	2 required; To hold shell band together
	F431024	Nut	2 required; To hold shell band together
	C000590	Washer	4 required for models through 3/23/04; As required for models starting 3/23/04; To hold shell band together
	C000273	Bolt	4 required for shell support bracket to frame; 2 required for shell support bracket to shell
	C000611	Nut	4 required for shell support bracket to frame; 2 required for shell support bracket to shell
	C000583	Washer	8 required for shell support bracket to frame; 4 required for shell support bracket to shell
	C000561	Bolt	8 required; Models through 3/23/04; Shell back to frame
	C001032	Screw	8 required; Models starting 3/23/04; Shell back to frame
	C002758	Electric Heat Harness	200-240 Volt
	C002755	Electric Heat Harness	440-480 Volt
	C002724	Electric Heat Harness	Option 1
	C002830	Electric Heat Harness	Option 2
	C002831P	Electric Heat Harness	Option 3
1	C002977	Shell Front	
2	N/A	Shell Band	Models through 3/23/04
	F601216	Shell Gasket Shield	Models through 3/23/04
	C000660	Shell Band Weldment	Models starting 3/23/04
3	N/A	Shell Front Gasket	Models through 3/23/04
	C001764P	Shell Front Gasket	Models starting 3/23/04
4	C000951	Shell Assembly	Models CP080PHN1, CP080PHN2, CP080PHQ1, CP080PHQ2, CP080PMN1, CP080PMN2, CP080PMQ1, CPC80H, CPC80M, IP080PHN1, IP080PHN2, IP080PHQ1, IP080PHQ2, IP080PMN1, IP080PMN2, IP080PMQ1, IP080PMQ2, IPH80H, IPH80M, IPH370, JP080PHN1, JP080PHN2 and JP080PHQ1
	C000952	Shell Assembly	All other models
5	209/00562/30	Heating Element	3000 Watt; 220 Volt

N/A = Part no longer available

Control Box



PHM3102P_C002634

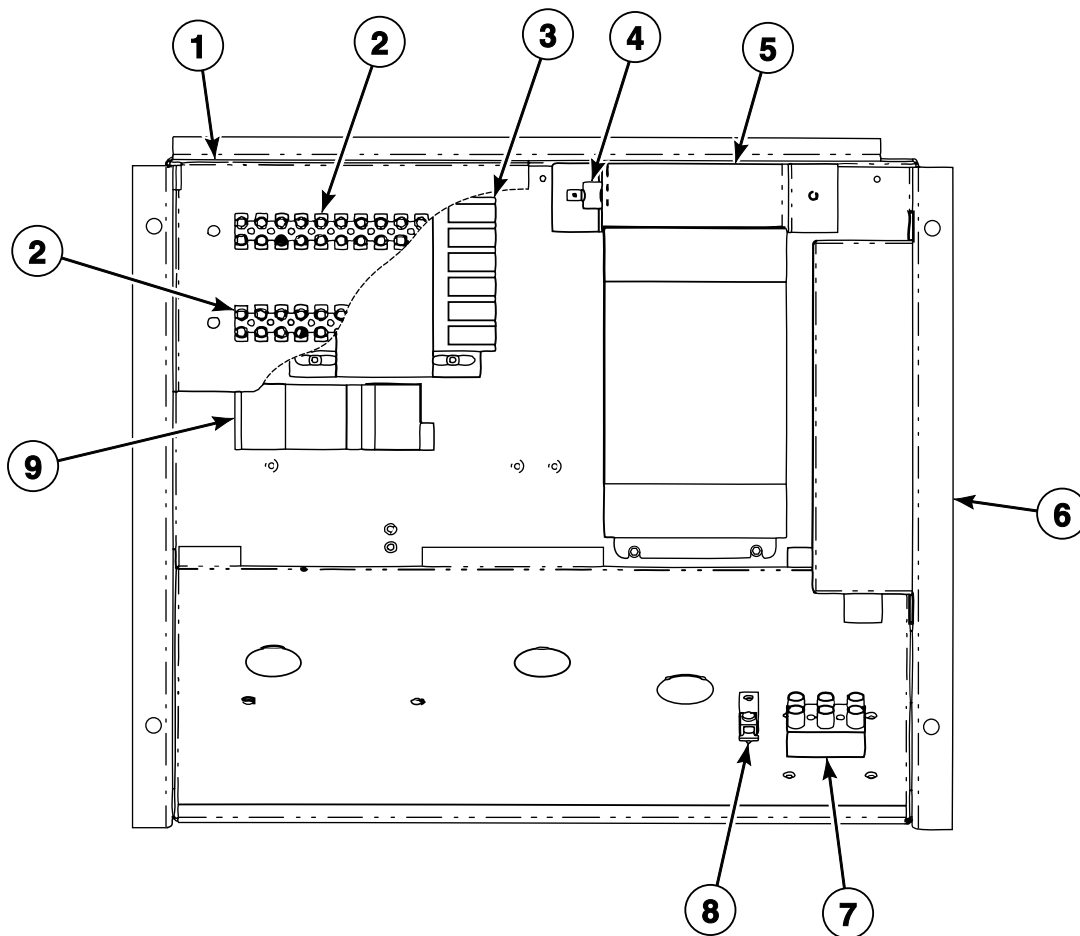
Control Box

REF	PART NO.	DESCRIPTION	COMMENTS
	C000567	Screw	4 required for electrical enclosure to mounting bracket; 1 required for keypad mounting plate to control panel
	N/A	Nut	4 required; Electrical enclosure to mounting bracket
	C000571	Washer	4 required; Electrical enclosure to mounting bracket
	F430909	Screw	2 required for electrical enclosure cover to electrical enclosure; 1 required for ground connection to electrical enclosure for models through 3/23/04; 2 required for ground connection to electrical enclosure for models starting 3/23/04
	F431133	Washer	4 required; Keypad to keypad mounting plate; Models starting 3/23/04
	F430910	Screw	4 required; Keypad to keypad mounting plate
	F431024	Nut	1 required; Keypad mounting plate to control panel
	210/00902/00P	Infrared Cable Kit	
	C000865	Control Module Harness	
1	C000432	Front Electrical Enclosure Assembly	Includes items 2, 4-6 and 11
2	C000348	Front Electrical Enclosure Cover	
3	C001389	Control Panel Decal	Models CP080PHN1, CP080PHN2, CP080PHQ1, CP080PHQ2, CP080PMN1, CP080PMN2, CP080PMQ1, CP100PHN1, CP100PHN2, CP100PHQ1, CP100PHQ2, CP100PMN1, CP100PMN2, CP100PMQ1, CPC80H, CPC80M, CPC100H and CPC100M
	C001069	Control Panel Decal	Models JP080PHN1, JP080PHN2, JP080PHQ1, JP100PHN1, JP100PHN2, JP100PHQ1 and JP100PMQ1
	C001276	Control Panel Decal	All other models
4	C000282P	Keypad Controller	
5	C000376	Standoff	
6	C000375	Mounting Bracket	
7	C000282P	Keypad Controller	
8	C000281P	Main Board Controller Kit	
9	C002104P	Water Level Transducer	
10	209/00505/04P	Battery	
11	C002642P	Tilt Switch Assembly	
12	C000371P	Chemical Supply Controller	Optional
13	C000213	Front Electrical Enclosure	
14	C002999	RC Network Assembly	
15	F330217P	RC Network Filter	

N/A = Part no longer available

Drive Box Assembly (Drawing 1 of 2)

Models CP080PHN1, CP080PHN2, CP080PHQ1, CP080PHQ2, CP100PHN1, CP100PHN2, CP100PHQ1, CP100PHQ2, CPC80H, CPC100H, IP080PHN1, IP080PHN2, IP080PHQ1, IP080PHQ2, IP100PHN1, IP100PHN2, IP100PHQ1, IPH80H, IPH100H, JP080PHN1, JP080PHN2, JP080PHQ1, JP100PHN1, JP100PHN2 and JP100PHQ1



PHM2745P_C002634

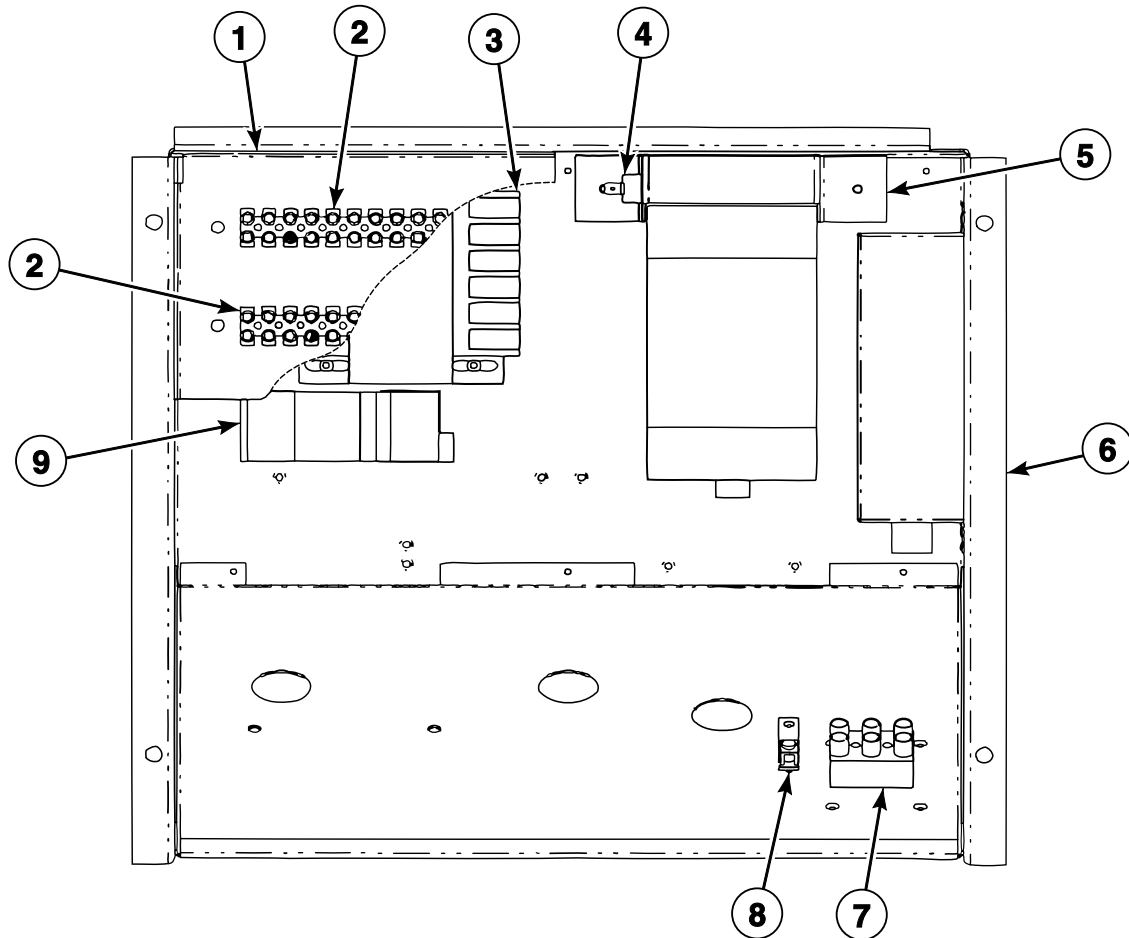
Drive Box Assembly (Drawing 1 of 2)

REF	PART NO.	DESCRIPTION	COMMENTS
	C000567	Screw	4 required; Drive box to valve panel
	N/A	Nut	4 required; Drive box to valve panel
	C000571	Washer	4 required; Drive box to valve panel
	F430909	Screw	2 required for exhaust bracket to drive box; 4 required for chemical terminal mounting bracket to drive box for models through 3/23/04; 3 required for chemical terminal mounting bracket to drive box for models starting 3/23/04; 4 required for inverter to drive box; 4 required for EMI filter to drive box; 4 required for transformer to drive box; 2 required for ground lug to drive box
	F431133	Washer	4 required for inverter to drive box; 4 required for EMI filter to drive box for models through 3/23/04; 4 required for transformer to drive box for models through 3/23/04
	C000575	Screw	2 required; Input power block to drive box
	F430938	Screw	2 required; Chemical signal terminal block to bracket
	C000568	Nut	2 required; Chemical signal terminal block to bracket
	F140602	Tie Wrap Mounting Clamp	
	C002779	Chemical Supply Harness	
	C002780	Chemical Supply Harness	
	C002781	Chemical Supply Harness	
	C000866	Rear Enclosure Harness	
1	C000373	Mounting Bracket	
2	C000370	Power Block Terminal	
3	C000203	Transformer	
4	C000318	Thermostat	
5	C000324	Exhaust Bracket	
6	C001050	Drive Box Assembly	
7	C000290	Power Block Terminal	
8	C001803	Ground Terminal Lug	
9	N/A	Circuit Breaker	Design 1 models; 1 Amp; 380-480 Volt; Order C0977P3 Circuit Breaker Kit
	N/A	Circuit Breaker	Design 1 models; 2 Amp; 200-240 Volt; Order C0978P3 Circuit Breaker Kit
	C0977P3	Circuit Breaker Kit	380-480 Volt; Includes F350217 Circuit Breaker
	C0978P3	Circuit Breaker Kit	200-240 Volt; Includes C003135 Circuit Breaker
	F350217	Circuit Breaker	Design 2 models or models that have been retrofitted with C0977P3 Circuit Breaker Kit; .5 Amp; 380-480 Volt
	C003135P	Circuit Breaker	Design 2 models or models that have been retrofitted with C0978P3 Circuit Breaker Kit; 1 Amp; 200-240 Volt

N/A = Part no longer available

Drive Box Assembly (Drawing 2 of 2)

Models CP080PMN1, CP080PMN2, CP080PMQ1, CP100PMN1, CP100PMN2, CP100PMQ1, CPC80M, CPC100M, IP080PMN1, IP080PMN2, IP080PMQ1, IP080PMQ2, IP100PMN1, IP100PMN2, IP100PMQ1, IPH80M, IPH100M, IPH370, IPH460 and JP100PMQ1



PHM2747P_C002634

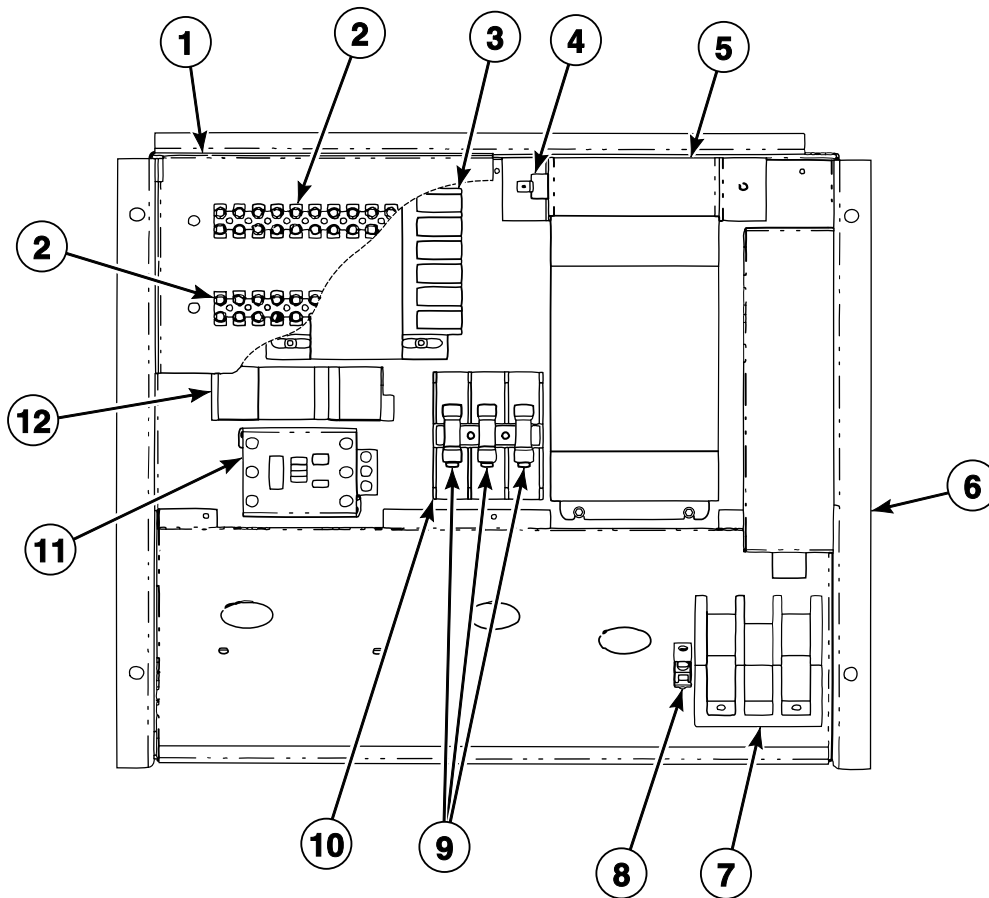
Drive Box Assembly (Drawing 2 of 2)

REF	PART NO.	DESCRIPTION	COMMENTS
	C000567	Screw	4 required; Drive box to valve panel
	N/A	Nut	4 required; Drive box to valve panel
	C000571	Washer	4 required; Drive box to valve panel
	F430909	Screw	2 required for exhaust bracket to drive box; 4 required for chemical terminal mounting bracket to drive box for models through 3/23/04; 3 required for chemical terminal mounting bracket to drive box for models starting 3/23/04; 4 required for inverter to drive box; 4 required for EMI filter to drive box; 4 required for transformer to drive box; 2 required for ground lug to drive box
	F431133	Washer	4 required for inverter to drive box; 4 required for EMI filter to drive box for models through 3/23/04; 4 required for transformer to drive box for models through 3/23/04
	C000575	Screw	2 required; Input power block to drive box
	F430938	Screw	2 required; Chemical signal terminal block to bracket
	C000568	Nut	2 required; Chemical signal terminal block to bracket
	F140602	Tie Wrap Mounting Clamp	
	C000866	Rear Enclosure Harness	
1	C000373	Mounting Bracket	
2	C000370	Power Block Terminal	
3	C000203	Transformer	
4	C000318	Thermostat	
5	C000323	Exhaust Bracket	
6	C001050	Drive Box Assembly	
7	C000290	Power Block Terminal	
8	C001803	Ground Terminal Lug	
9	N/A	Circuit Breaker	Design 1 models; 1 Amp; 380-480 Volt; Order C0977P3 Circuit Breaker Kit
	N/A	Circuit Breaker	Design 1 models; 2 Amp; 200-240 Volt; Order C0978P3 Circuit Breaker Kit
	C0977P3	Circuit Breaker Kit	380-480 Volt; Includes F350217 Circuit Breaker
	C0978P3	Circuit Breaker Kit	200-240 Volt; Includes C003135 Circuit Breaker
	F350217	Circuit Breaker	Design 2 models or models that have been retrofitted with C0977P3 Circuit Breaker Kit; .5 Amp; 380-480 Volt
	C003135P	Circuit Breaker	Design 2 models or models that have been retrofitted with C0978P3 Circuit Breaker Kit; 1 Amp; 200-240 Volt

N/A = Part no longer available

Drive Box Assembly - Electric Heat (Drawing 1 of 2)

Models CP080PHN1, CP080PHN2, CP080PHQ1, CP080PHQ2, CP100PHN1, CP100PHN2, CP100PHQ1, CP100PHQ2, CPC80H, CPC100H, IP080PHN1, IP080PHN2, IP080PHQ1, IP080PHQ2, IP100PHN1, IP100PHN2, IP100PHQ1, IPH80H, IPH100H, JP080PHN1, JP080PHN2, JP080PHQ1, JP100PHN1, JP100PHN2 and JP100PHQ1



PHM2746P_C002634

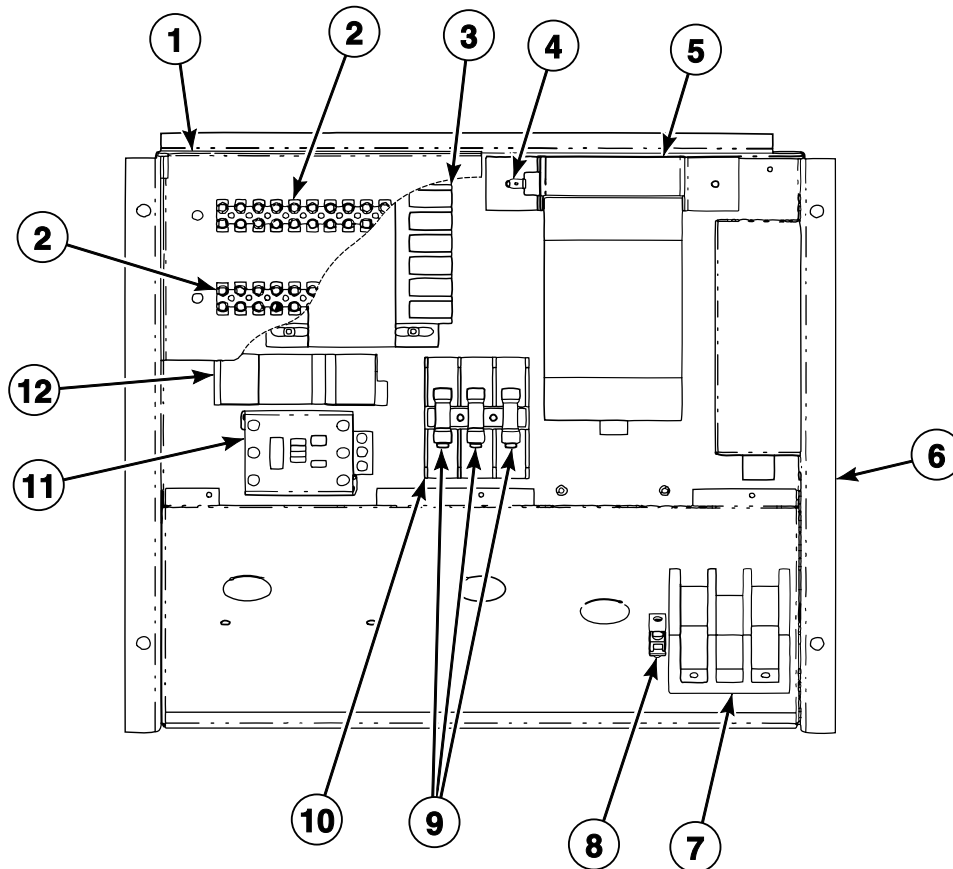
Drive Box Assembly - Electric Heat (Drawing 1 of 2)

REF	PART NO.	DESCRIPTION	COMMENTS
	C000567	Screw	4 required; Drive box to valve panel
	N/A	Nut	4 required; Drive box to valve panel
	C000571	Washer	4 required; Drive box to valve panel
	F430909	Screw	2 required for exhaust bracket to drive box; 4 required for chemical terminal mounting bracket to drive box for models through 3/23/04; 3 required for chemical terminal mounting bracket to drive box for models starting 3/23/04; 4 required for inverter to drive box; 4 required for EMI filter to drive box; 4 required for transformer to drive box; 2 required for ground lug to drive box
	F431133	Washer	4 required for inverter to drive box; 4 required for EMI filter to drive box for models through 3/23/04; 4 required for transformer to drive box for models through 3/23/04
	C000575	Screw	2 required; Input power block to drive box
	F430938	Screw	2 required; Chemical signal terminal block to bracket
	C000568	Nut	2 required; Chemical signal terminal block to bracket
	C000866	Rear Enclosure Harness	
1	C000373	Mounting Bracket	
2	C000370	Power Block Terminal	
3	C000203	Transformer	
4	C000318	Thermostat	
5	C000324	Exhaust Bracket	
6	C001050	Drive Box Assembly	
7	M413865	Terminal Block	
8	C001803	Ground Terminal Lug	
9	C001194	Fuse	15 Amp
	C001195	Fuse	20 Amp
10	C001197	Fuse Holder	
11	C000308P	Contactor	50 Amp
	C000309P	Contactor	85 Amp
12	N/A	Circuit Breaker	Design 1 models; 1 Amp; 380-480 Volt; Order C0977P3 Circuit Breaker Kit
	N/A	Circuit Breaker	Design 1 models; 2 Amp; 200-240 Volt; Order C0978P3 Circuit Breaker Kit
	C0977P3	Circuit Breaker Kit	380-480 Volt; Includes F350217 Circuit Breaker
	C0978P3	Circuit Breaker Kit	200-240 Volt; Includes C003135 Circuit Breaker
	F350217	Circuit Breaker	Design 2 models or models that have been retrofitted with C0977P3 Circuit Breaker Kit; .5 Amp; 380-480 Volt
	C003135P	Circuit Breaker	Design 2 models or models that have been retrofitted with C0978P3 Circuit Breaker Kit; 1 Amp; 200-240 Volt

N/A = Part no longer available

Drive Box Assembly - Electric Heat (Drawing 2 of 2)

Models CP080PMN1, CP080PMN2, CP080PMQ1, CP100PMN1, CP100PMN2, CP100PMQ1, CPC80M, CPC100M, IP080PMN1, IP080PMN2, IP080PMQ1, IP080PMQ2, IP100PMN1, IP100PMN2, IP100PMQ1, IPH80M, IPH100M, IPH370, IPH460 and JP100PMQ1



PHM2748P_C002634

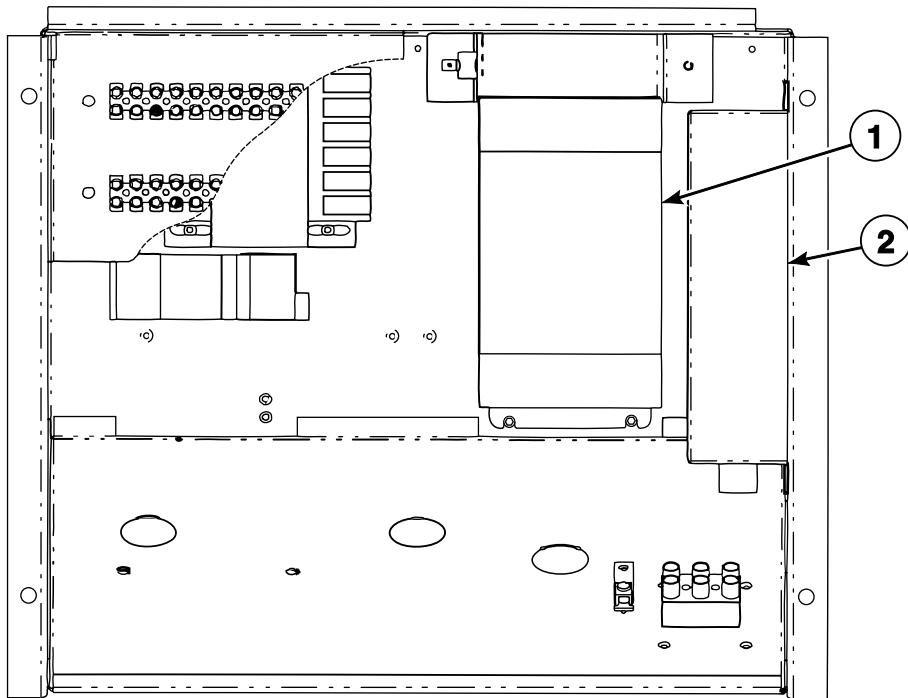
Drive Box Assembly - Electric Heat (Drawing 2 of 2)

REF	PART NO.	DESCRIPTION	COMMENTS
	C000567	Screw	4 required; Drive box to valve panel
	N/A	Nut	4 required; Drive box to valve panel
	C000571	Washer	4 required; Drive box to valve panel
	F430909	Screw	2 required for exhaust bracket to drive box; 4 required for chemical terminal mounting bracket to drive box for models through 3/23/04; 3 required for chemical terminal mounting bracket to drive box for models starting 3/23/04; 4 required for inverter to drive box; 4 required for EMI filter to drive box; 4 required for transformer to drive box; 2 required for ground lug to drive box
	F431133	Washer	4 required for inverter to drive box; 4 required for EMI filter to drive box for models through 3/23/04; 4 required for transformer to drive box for models through 3/23/04
	C000575	Screw	2 required; Input power block to drive box
	F430938	Screw	2 required; Chemical signal terminal block to bracket
	C000568	Nut	2 required; Chemical signal terminal block to bracket
	C000866	Rear Enclosure Harness	
1	C000373	Mounting Bracket	
2	C000370	Power Block Terminal	
3	C000203	Transformer	
4	C000318	Thermostat	
5	C000323	Exhaust Bracket	
6	C001050	Drive Box Assembly	
7	M413865	Terminal Block	
8	N/A	Ground Terminal	
9	C001194	Fuse	15 Amp
	C001196	Fuse	10 Amp
10	C001197	Fuse Holder	
11	C000308P	Contactor	50 Amp
	C000309P	Contactor	85 Amp
12	N/A	Circuit Breaker	Design 1 models; 1 Amp; 380-480 Volt; Order C0977P3 Circuit Breaker Kit
	N/A	Circuit Breaker	Design 1 models; 2 Amp; 200-240 Volt; Order C0978P3 Circuit Breaker Kit
	C0977P3	Circuit Breaker Kit	380-480 Volt; Includes F350217 Circuit Breaker
	C0978P3	Circuit Breaker Kit	200-240 Volt; Includes C003135 Circuit Breaker
	F350217	Circuit Breaker	Design 2 models or models that have been retrofitted with C0977P3 Circuit Breaker Kit; .5 Amp; 380-480 Volt
	C003135P	Circuit Breaker	Design 2 models or models that have been retrofitted with C0978P3 Circuit Breaker Kit; 1 Amp; 200-240 Volt

N/A = Part no longer available

AC Drive and EMI Filter (Drawing 1 of 2)

Models CP080PHN1, CP080PHQ1, CP100PHN1, CP100PHQ1, CPC80H, CPC100H, IP080PHN1, IP080PHQ1, IP100PHN1, IP100PHQ1, IPH80H, IPH100H, JP080PHN1, JP080PHQ1, JP100PHN1 and JP100PHQ1



PHM2745PA_C002634

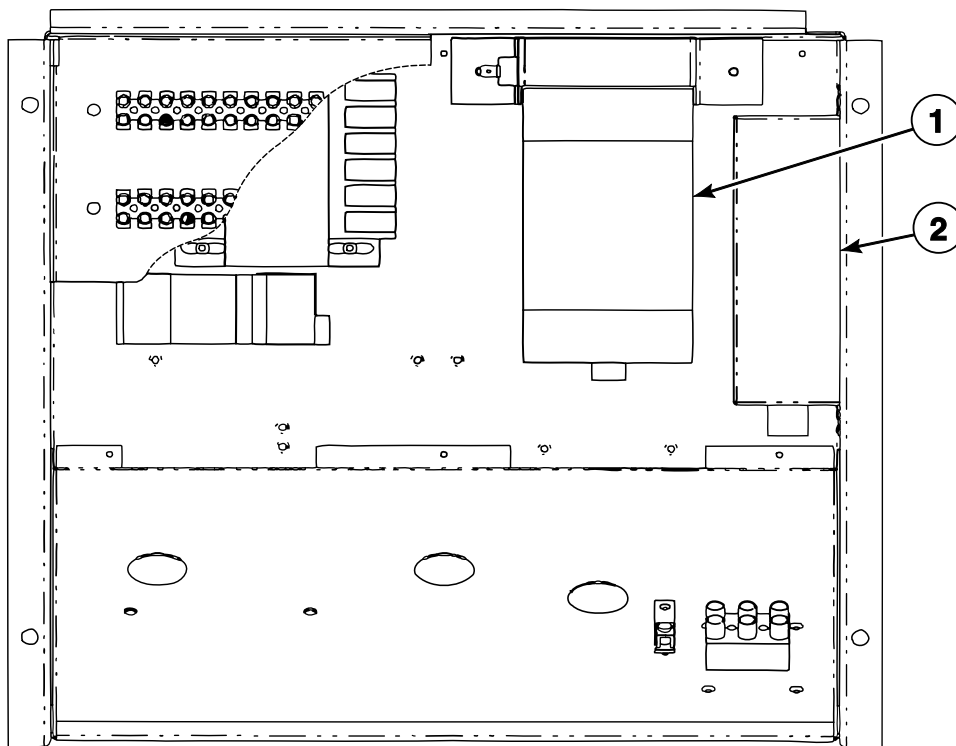
AC Drive and EMI Filter (Drawing 1 of 2)

REF	PART NO.	DESCRIPTION	COMMENTS
1	N/A	Inverter	200-240 Volt; Order C003051 160-series to PowerFlex 40 Drive Kit for CP080, CPC80, IP080 and IPH80 models; Order C003059 160-series to PowerFlex 40 Drive Kit for CP100, CPC100, IP100 and IPH100 models
	N/A	Inverter	380-480 Volt; Order C003053 160-series to PowerFlex 40 Drive Kit for CP080, CPC80, IP080 and IPH80 models; Order C003061 160-series to PowerFlex 40 Drive Kit for CP100, CPC100, IP100 and IPH100 models
2	F330284	EMI Filter	200-240 Volt; CE models
	F330283	EMI Filter	380-480 Volt; CE models

N/A = Part no longer available

AC Drive and EMI Filter (Drawing 2 of 2)

Models CP080PMN1, CP080PMQ1, CP100PMN1, CP100PMQ1, CPC80M, CPC100M, IP080PMN1, IP080PMQ1, IP100PMN1, IP100PMQ1, IPH80M, IPH100M, IPH370, IPH460 and JP100PMQ1



PHM2747PA_C002634

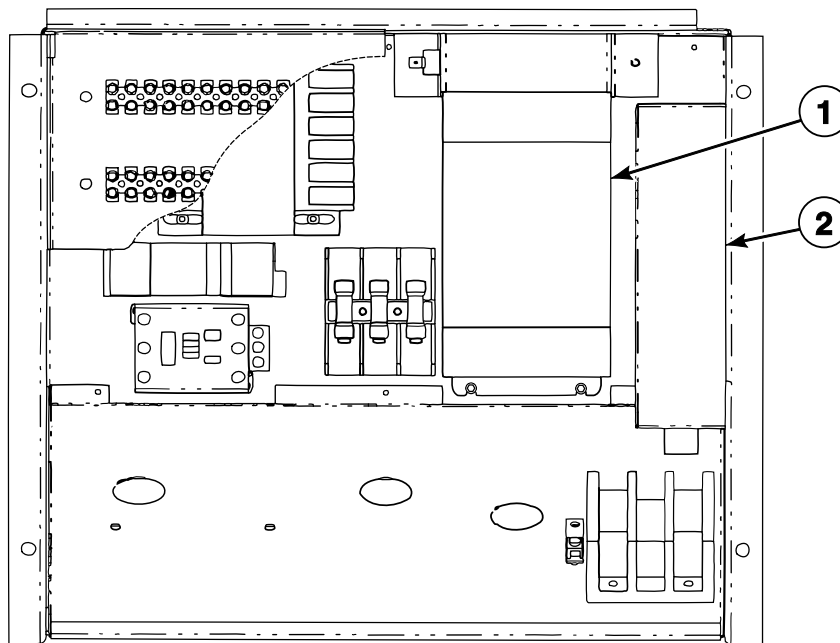
AC Drive and EMI Filter (Drawing 2 of 2)

REF	PART NO.	DESCRIPTION	COMMENTS
1	N/A	Inverter	200-240 Volt; Order C003047 160-series to PowerFlex 40 Drive Kit for CP080, CPC80, IP080 and IPH80 models; Order C003055 160-series to PowerFlex 40 Drive Kit for CP100, CPC100, IP100 and IPH100 models
	N/A	Inverter	380-480 Volt; Order C003049 160-series to PowerFlex 40 Drive Kit for CP080, CPC80, IP080 and IPH80 models; Order C003057 160-series to PowerFlex 40 Drive Kit for CP100, CPC100, IP100 and IPH100 models
2	F330280P	EMI Filter	CE models

N/A = Part no longer available

AC Drive and EMI Filter - Electric Heat (Drawing 1 of 2)

Models CP080PHN1, CP080PHQ1, CP100PHN1, CP100PHQ1, CPC80H, CPC100H,
IP080PHN1, IP080PHQ1, IP100PHN1, IP100PHQ1, IPH80H, IPH100H, JP080PHN1,
JP080PHQ1, JP100PHN1 and JP100PHQ1



PHM2746PA_C002634

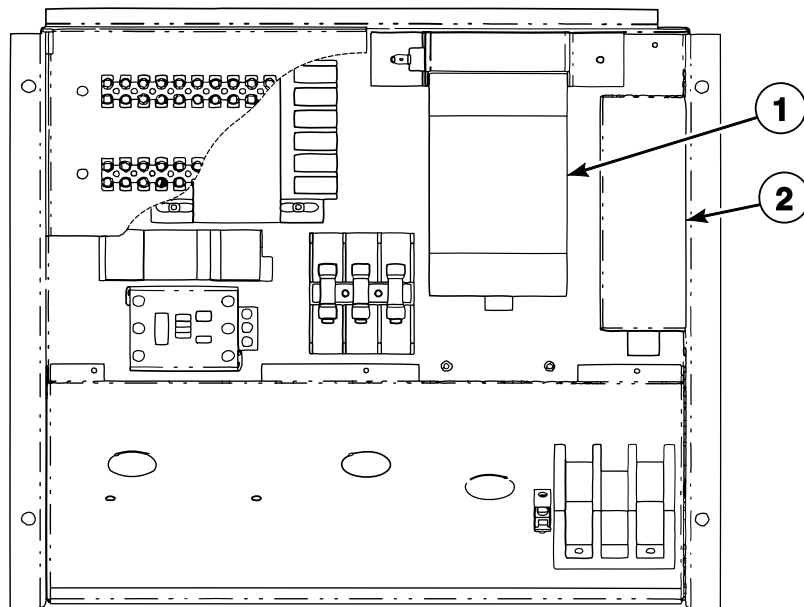
AC Drive and EMI Filter - Electric Heat (Drawing 1 of 2)

REF	PART NO.	DESCRIPTION	COMMENTS
1	N/A	Inverter	200-240 Volt; Order C003051 160-series to PowerFlex 40 Drive Kit for CP080, CPC80, IP080 and IPH80 models; Order C003059 160-series to PowerFlex 40 Drive Kit for CP100, CPC100, IP100 and IPH100 models
	N/A	Inverter	380-480 Volt; Order C003053 160-series to PowerFlex 40 Drive Kit for CP080, CPC80, IP080 and IPH80 models; Order C003061 160-series to PowerFlex 40 Drive Kit for CP100, CPC100, IP100 and IPH100 models
2	F330284	EMI Filter	200-240 Volt; CE models
	F330283	EMI Filter	380-480 Volt; CE models

N/A = Part no longer available

AC Drive and EMI Filter - Electric Heat (Drawing 2 of 2)

Models CP080PMN1, CP080PMQ1, CP100PMN1, CP100PMQ1, CPC80M, CPC100M, IP080PMN1, IP080PMQ1, IP100PMN1, IP100PMQ1, IPH80M, IPH100M, IPH370, IPH460 and JP100PMQ1



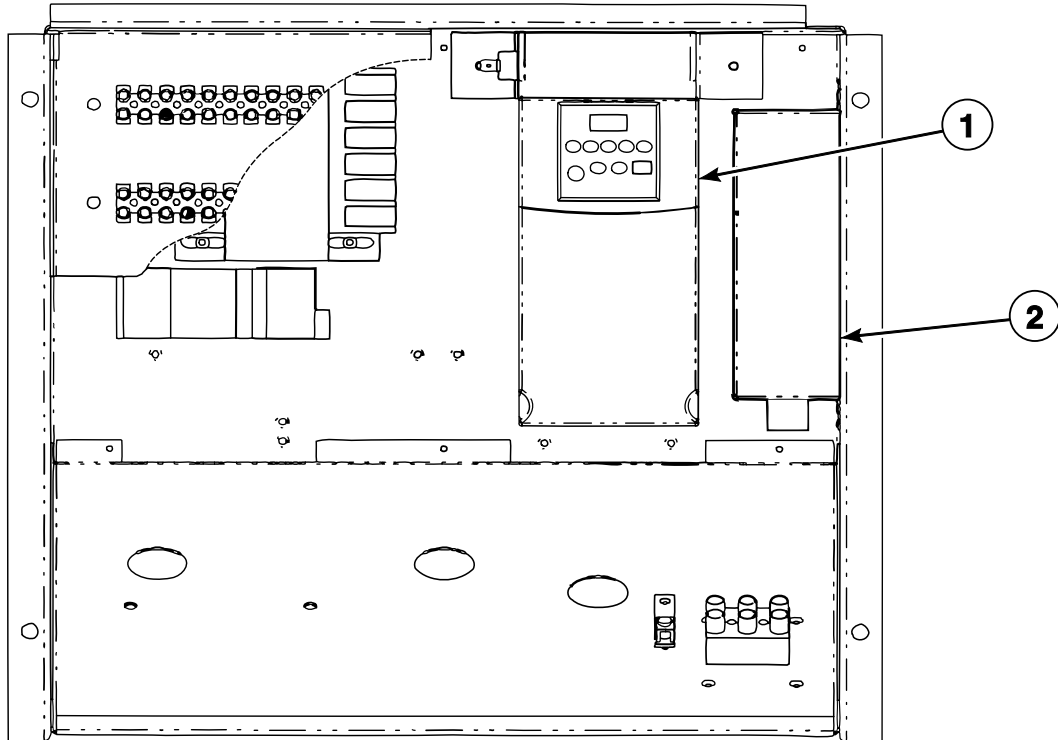
PHM2748PA_C002634

AC Drive and EMI Filter - Electric Heat (Drawing 2 of 2)

REF	PART NO.	DESCRIPTION	COMMENTS
1	N/A	Inverter	200-240 Volt; Order C003047 160-series to PowerFlex 40 Drive Kit for CP080, CPC80, IP080 and IPH80 models; Order C003055 160-series to PowerFlex 40 Drive Kit for CP100, CPC100, IP100 and IPH100 models
	N/A	Inverter	380-480 Volt; Order C003049 160-series to PowerFlex 40 Drive Kit for CP080, CPC80, IP080 and IPH80 models; Order C003057 160-series to PowerFlex 40 Drive Kit for CP100, CPC100, IP100 and IPH100 models
2	F330280P	EMI Filter	CE models

N/A = Part no longer available

Power Flex Drive and EMI Filter - Design 1 Models

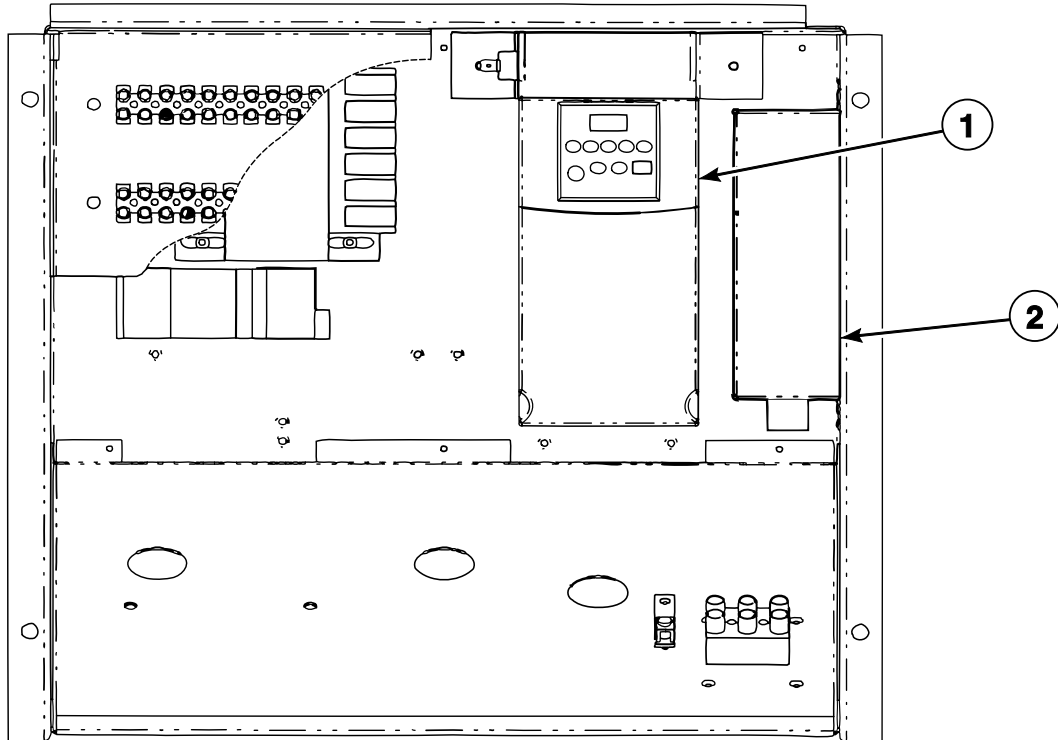


PHM3028P_C002634

Power Flex Drive and EMI Filter - Design 1 Models

REF	PART NO.	DESCRIPTION	COMMENTS
	C003028	Harness	
1	C003047	160-Series to PowerFlex 40 Drive Kit	200-240 Volt; CP080, CPC80, IP080 and IPH80 M-series models; Includes F8168604 AC Drive
	C003055	160-Series to PowerFlex 40 Drive Kit	200-240 Volt; CP100, CPC100, IP100 and IPH100 M-series models; Includes F8168604 AC Drive
	C003048	PowerFlex 40 Drive	200-240 Volt; CP080, CPC80, IP080 and IPH80 M-series models that have been retrofitted with C003047 160-series to PowerFlex 40 Drive Kit; Includes F8168604 AC Drive
	C003056	PowerFlex 40 Drive	200-240 Volt; CP100, CPC100, IP100 and IPH100 M-series models that have been retrofitted with C003055 160-series to PowerFlex 40 Drive Kit; Includes F8168604 AC Drive
	C003049	160-Series to PowerFlex 40 Drive Kit	380-480 Volt; CP080, CPC80, IP080 and IPH80 M-series models; Includes F8168604 AC Drive
	C003057	160-Series to PowerFlex 40 Drive Kit	380-480 Volt; CP100, CPC100, IP100 and IPH100 M-series models; Includes F8168604 AC Drive
	C003051	160-Series to PowerFlex 40 Drive Kit	200-240 Volt; CP80, CPC80, IP080 and IPH80 H-series models; Includes F8168603 AC Drive
	C003059	160-Series to PowerFlex 40 Drive Kit	200-240 Volt; CP100, CPC100, IP100 and IPH100 H-series models; Includes F8168603 AC Drive
	C003052	PowerFlex 40 Drive	200-240 Volt; CP80, CPC80, IP080 and IPH80 H-series models that have been retrofitted with C003051 160-series to PowerFlex 40 Drive Kit; Includes F8168603 AC Drive
	C003060	PowerFlex 40 Drive	200-240 Volt; CP100, CPC100, IP100 and IPH100 H-series models that have been retrofitted with C003059 160-series to PowerFlex 40 Drive Kit; Includes F8168603 AC Drive
	C003054	PowerFlex 40 Drive	380-480 Volt; CP080, CPC80, IP080 and IPH80 H-series models that have been retrofitted with C003053 160-series to PowerFlex 40 Drive Kit; Includes F8168604 AC Drive
	C003062	PowerFlex 40 Drive	380-480 Volt; CP100, CPC100, IP100 and IPH100 H-series models that have been retrofitted with C003061 160-series to PowerFlex 40 Drive Kit; Includes F8168604 AC Drive
	C003050	PowerFlex 40 Drive	380-480 Volt; CP080, CPC80, IP080 and IPH80 M-series models that have been retrofitted with C003049 160-series to PowerFlex 40 Drive Kit; Includes F8168604 AC Drive
	C003058	PowerFlex 40 Drive	380-480 Volt; CP100, CPC100, IP100 and IPH100 M-series models that have been retrofitted with C003057 160-series to PowerFlex40 Drive Kit; Includes F8168604 AC Drive
	C003053	160-Series to PowerFlex 40 Drive Kit	380-480 Volt; CP080, CPC80, IP080 and IPH80 H-series models; Includes F8168604 AC Drive
	C003061	160-Series to PowerFlex 40 Drive Kit	380-480 Volt; CP100, CPC100, IP100 and IPH100 H-series models; Includes F8168604 AC Drive
2	F8053902	EMI Filter	Models that have been converted to PowerFlex 40 Drive

Power Flex Drive and EMI Filter - Design 2 Models



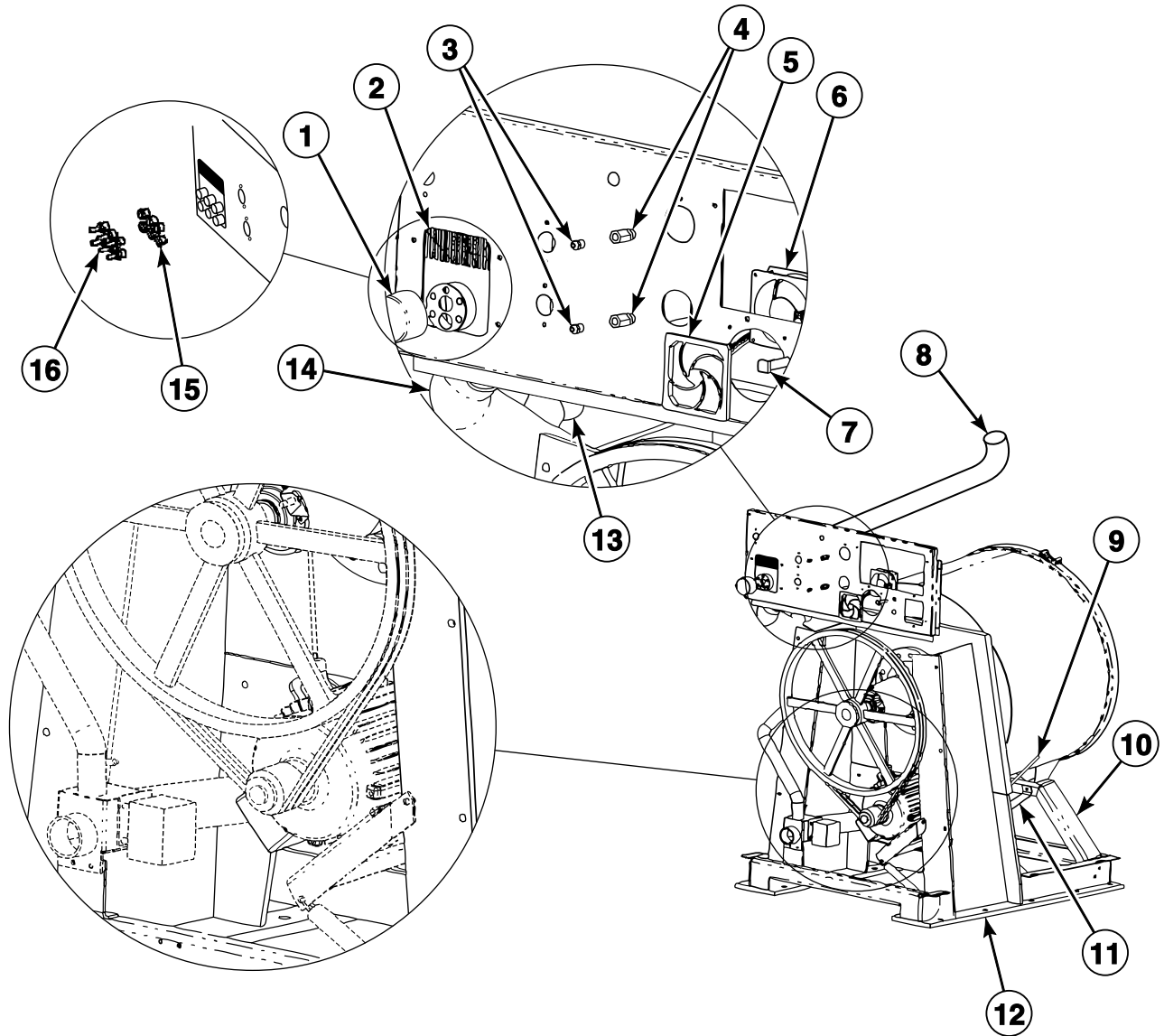
PHM3028P_C002634

Power Flex Drive and EMI Filter - Design 2 Models

REF	PART NO.	DESCRIPTION	COMMENTS
1	C003048	PowerFlex 40 Drive	200-240 Volt; Models CP080PMN2, IP080PMN2 and IP080PMQ2; Includes F8168604 AC Drive
	C003056	PowerFlex 40 Drive	200-240 Volt; Models CP100PMN2 and IP100PMN2; Includes F8168604 AC Drive
	C003052	PowerFlex 40 Drive	200-240 Volt; Models CP080PHN2, CP080PHQ2, IP080PHN2 and IP080PHQ2; Includes F8168603 AC Drive
	C003060	PowerFlex 40 Drive	200-240 Volt; Models CP100PHN2, CP100PHQ2 and IP100PHN2; Includes F8168603 AC Drive
	C003050	PowerFlex 40 Drive	380-480 Volt; Models CP080PMN2 and IP080PMN2; Includes F8168604 AC Drive
	C003054	PowerFlex 40 Drive	380-480 Volt; Models CP080PHN2 and IP080PHN2; Includes F8168604 AC Drive
	C003058	PowerFlex 40 Drive	380-480 Volt; Models CP100PMN2 and IP100PMN2; Includes F8168604 AC Drive
	C003062	PowerFlex 40 Drive	380-480 Volt; Models CP100PHN2 and IP100PHN2; Includes F8168604 AC Drive
2	F8053902	EMI Filter	380-480 Volt

Main Assembly (Drawing 1 of 6)

Models CP080PHN1, CP080PHN2, CP080PHQ1, CP080PHQ2, CPC80H, IP080PHN1, IP080PHN2, IP080PHQ1, IP080PHQ2, IPH80H, JP080PHN1, JP080PHN2 and JP080PHQ1



PHM2749P_C002634

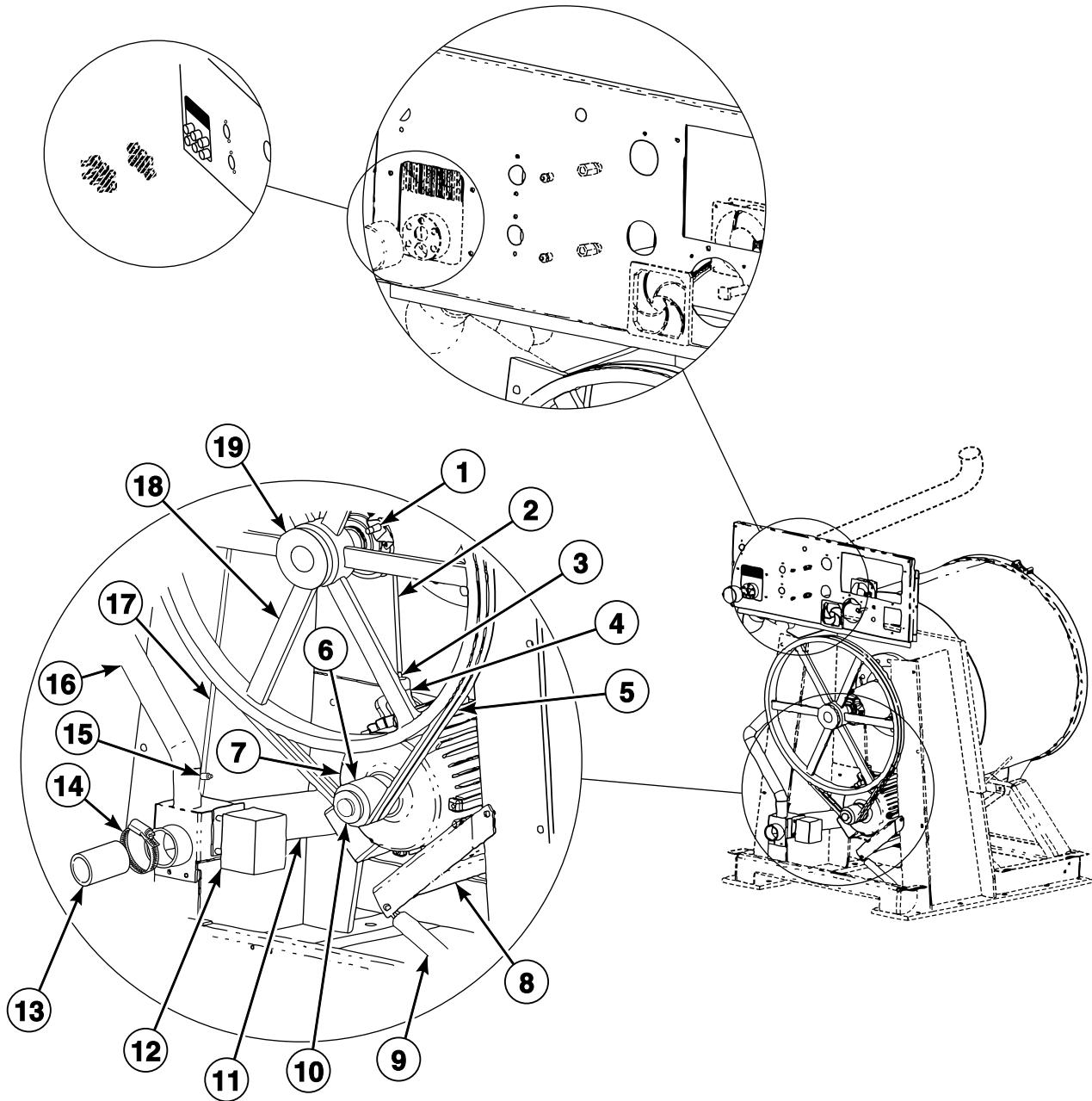
Main Assembly (Drawing 1 of 6)

REF	PART NO.	DESCRIPTION	COMMENTS
	C000567	Screw	4 required; Vacuum breaker to valve panel
	F431024	Nut	4 required for vacuum breaker to valve panel for models through 3/23/04
	N/A	Nut	4 required; Vacuum breaker to valve panel; Models starting 3/23/04
	225/10004/00	Thermostat Grommet	
	F430938	Screw	4 required; Fan to valve panel
	C000568	Nut	4 required; Fan to valve panel
	C000552	Hose	Flush hose for vacuum breaker; 29 inches required
1	C001772	Vacuum Breaker Cover	
2	C002872	Vacuum Breaker Assembly	
3	N/A	Grease Fitting	Models through 3/23/04
	C000549	Grease Fitting	Models starting 3/23/04
4	N/A	Grease Coupling	Models through 3/23/04
	C001789	Connector	Models starting 3/23/04
5	C000210	Fan Filter Guard Assembly	
6	C000211	Fan	
7	C000317	Circuit Breaker	1 pole
8	C000414	Supply Dispenser Hose	
9	C002636	Temperature Probe Assembly	
10	C000298	Lower Shell Support Bracket	
11	C002058	Shell Support Brace	
12	C000469	Frame Assembly	
13	C000962	Drain Assembly	
14	C000416	Water Inlet Hose	
15	C000679	Vacuum Breaker Plug	.5 inch; Use with old style vacuum breaker; Models through 3/23/04
16	C000680	Adapter	.5 inch; Use with old style vacuum breaker; Models through 3/23/04

N/A = Part no longer available

Main Assembly (Drawing 2 of 6)

Models CP080PHN1, CP080PHN2, CP080PHQ1, CP080PHQ2, CPC80H, IP080PHN1, IP080PHN2, IP080PHQ1, IP080PHQ2, IPH80H, JP080PHN1, JP080PHN2 and JP080PHQ1



PHM3219P_C002634

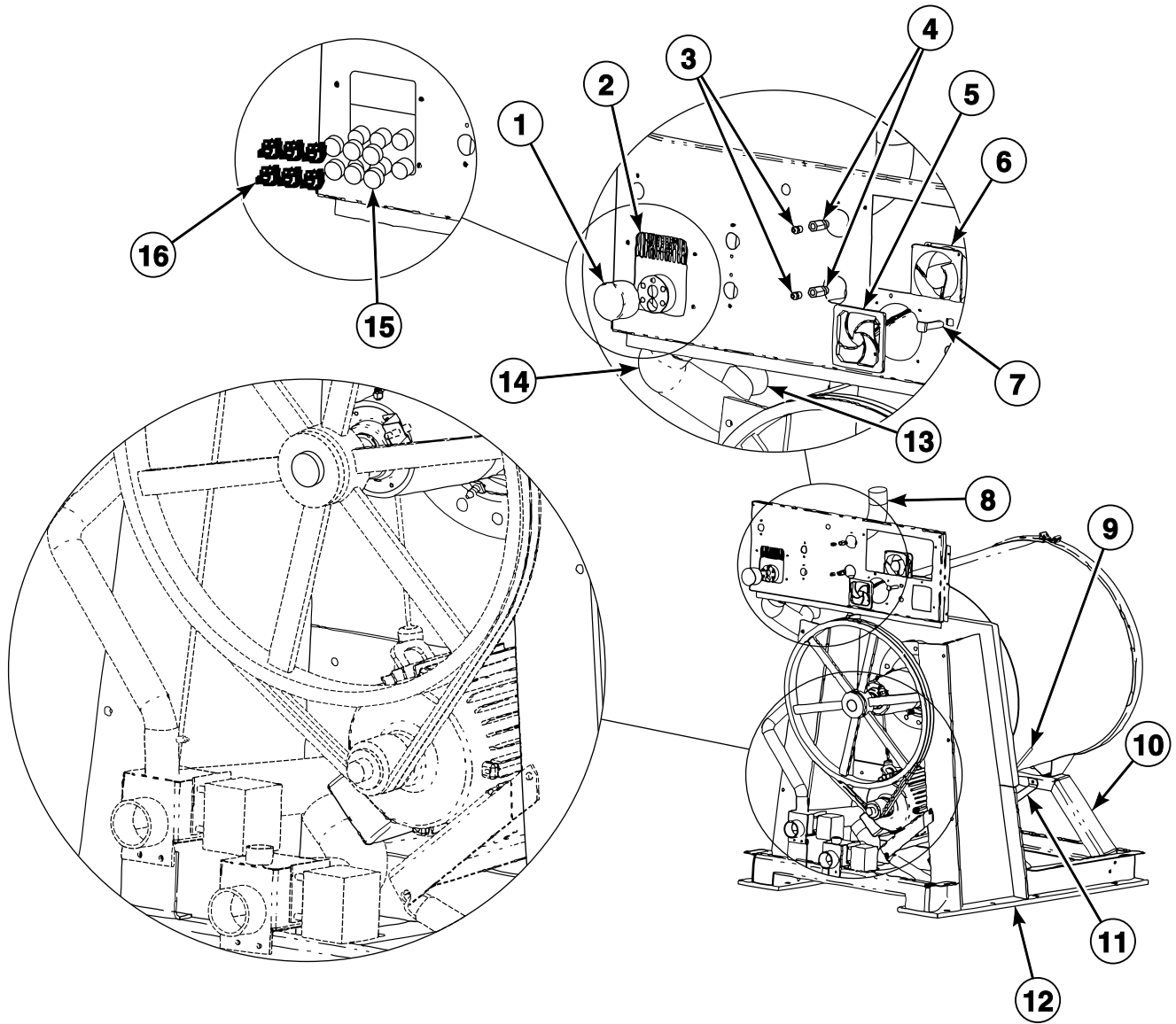
Main Assembly (Drawing 2 of 6)

REF	PART NO.	DESCRIPTION	COMMENTS
	C001768	Weep Hole Drain Kit	
	F431024	Nut	2 required for drain valve to drain valve mounting bracket
	F430935	Screw	2 required; Drain valve to drain mounting bracket
	C000585	Washer	2 required; Drain valve to drain mounting bracket
	C000571	Washer	4 required; Drain valve to drain valve mounting bracket; Models starting 3/23/04
	F430144	Screw	4 required; Motor to motor plate
	C000556	Washer	8 required; Motor to motor plate
	803017	Nut	4 required; Motor to motor plate
	F430124	Screw	1 required; Motor plate to frame
	C000612	Screw	1 required for models through 3/23/04; 2 required for models starting 3/23/04; Motor plate to frame
	C000177	Washer	1 required for models through 3/23/04; As required for models starting 3/23/04; Motor plate to frame
	C000583	Washer	2 required for models through 3/23/04; 3 required for models starting 3/23/04; Motor plate to frame
	90554	Hose Clamp	1 required; Air trap
	F200213	Hose Clamp	3 required for overflow hose for models through 3/23/04; 4 required for overflow hose for models starting 3/23/04
	C002623P	Motor Cable	
	C002613	Drain Harness	
	C003295	Drain T	Models CP080PHN2, CP080PHQ2, IP080PHN2, IP080PHQ2 and JP080PHN2; Models starting 3/6/13; Replaces use of C001649 Reducing Connector
	C003320P	Pulley Alignment Tool	
1	C002637P	Proximity Switch Assembly	Models starting 3/23/04
2	C000599	Vacuum Breaker Hose	
3	C000662	Air Trap Tube	Brass
4	C000654	Air Trap Tube Elbow	Rubber
5	C000482	Belt	2 required
6	C000472P	Motor Pulley	
7	C000206P	Motor	
8	C000330	Motor Bracket	
9	N/A	Belt Tension Spring	Models through 3/23/04
	C001791	Belt Tension Spring	Models starting 3/23/04
10	C000474P	Motor Bushing	
11	C000411	Drain Hose	
	225/10004/00	Thermostat Grommet	
12	C003353	Drain Valve	
13	F200165100	Drain Hose	No. 56
14	F200201	Hose Clamp	2 required for drain hose; 2 required for dispenser hose
15	C001649	Reducing Connector	
16	C000415	Overflow Hose	
17	C000552	Hose	
18	C000471	Cylinder Pulley	
19	C000223P	Cylinder Bushing	

N/A = Part no longer available

Main Assembly (Drawing 3 of 6)

Models CP100PHN1, CP100PHN2, CP100PHQ1, CP100PHQ2, CPC100H, IP100PHN1, IP100PHN2, IP100PHQ1, IPH100H, JP100PHN1, JP100PHN2 and JP100PHQ1



PHM2750P_C002634

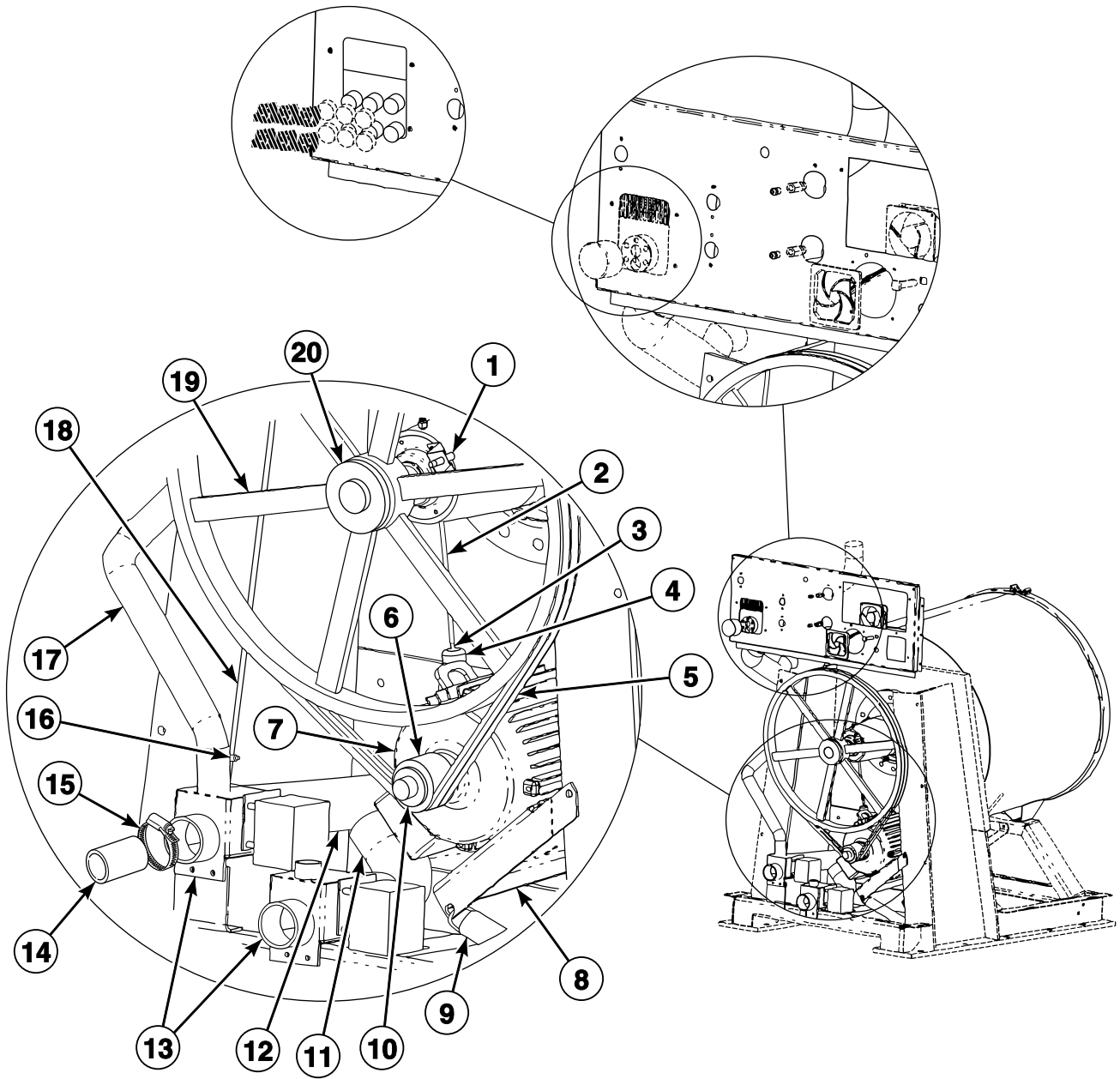
Main Assembly (Drawing 3 of 6)

REF	PART NO.	DESCRIPTION	COMMENTS
	225/10004/00	Thermostat Grommet	
	C000567	Screw	4 required; Vacuum breaker to valve panel
	F431024	Nut	4 required for vacuum breaker to valve panel for models through 3/23/04
	N/A	Nut	4 required; Vacuum breaker to valve panel; Models starting 3/23/04
	F430938	Screw	4 required; Fan to valve panel
	C000568	Nut	4 required; Fan to valve panel
	C000552	Hose	29 inches required; Models with 5 cup supply dispenser
	C000628P	Tubing	29 inches required; Models with single cup supply dispenser
	C003320P	Pulley Alignment Tool	
1	C001772	Vacuum Breaker Cover	
2	C002872	Vacuum Breaker Assembly	
3	N/A	Grease Fitting	Models through 3/23/04
	C000549	Grease Fitting	Models starting 3/23/04
4	N/A	Grease Coupling	Models through 3/23/04
	C001789	Connector	Models starting 3/23/04
5	C000210	Fan Filter Guard Assembly	
6	C000211	Fan	
7	C000317	Circuit Breaker	1 pole
8	C000414	Supply Dispenser Hose	
9	C002636	Temperature Probe Assembly	
10	C000298	Lower Shell Support Bracket	
11	C002053	Shell Support Brace	
12	C000085	Frame Assembly	
13	C000962	Drain Assembly	
14	C000416	Water Inlet Hose	
15	C000679	Vacuum Breaker Plug	.5 inch; Use with old style vacuum breaker; Models through 3/23/04
16	C000680	Adapter	.5 inch; Use with old style vacuum breaker; Models through 3/23/04

N/A = Part no longer available

Main Assembly (Drawing 4 of 6)

Models CP100PHN1, CP100PHN2, CP100PHQ1, CP100PHQ2, CPC100H, IP100PHN1, IP100PHN2, IP100PHQ1, IPH100H, JP100PHN1, JP100PHN2 and JP100PHQ1



PHM3220P_C002634

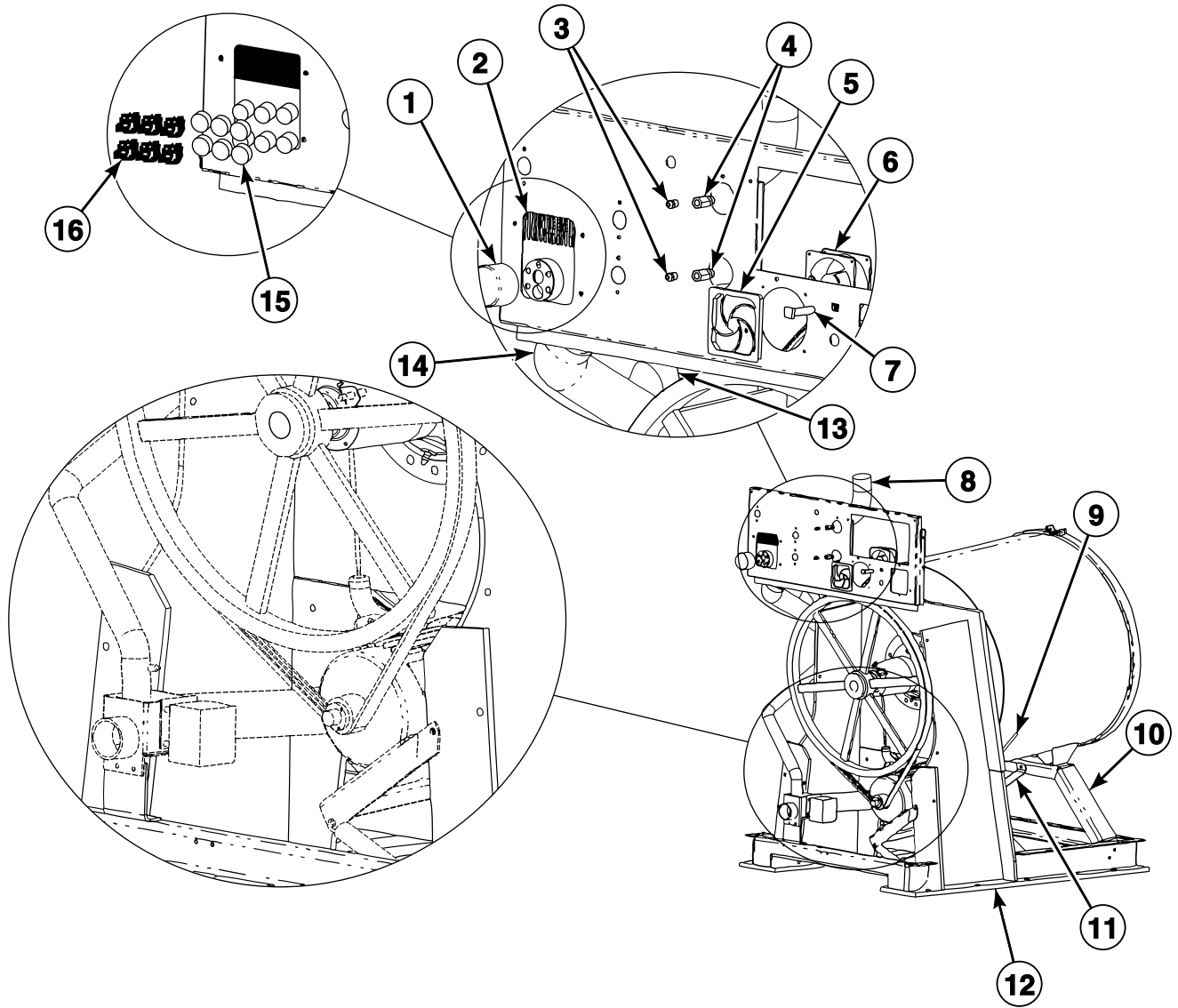
Main Assembly (Drawing 4 of 6)

REF	PART NO.	DESCRIPTION	COMMENTS
	C001768	Weep Hole Drain Kit	
	F431024	Nut	2 required for drain valve to drain valve mounting bracket
	F430935	Screw	2 required; Drain valve to drain mounting bracket
	C000585	Washer	2 required; Drain valve to drain mounting bracket
	C000571	Washer	4 required; Drain valve to drain valve mounting bracket; Models starting 3/23/04
	F430144	Screw	4 required; Motor to motor plate
	C000556	Washer	8 required; Motor to motor plate
	803017	Nut	4 required; Motor to motor plate
	F430124	Screw	1 required; Motor plate to frame
	C000612	Screw	1 required for models through 3/23/04; 2 required for models starting 3/23/04; Motor plate to frame
	C000177	Washer	1 required for models through 3/23/04; 2 required for models starting 3/23/04; Motor plate to frame
	C000583	Washer	2 required for models through 3/23/04; 3 required for models starting 3/23/04; Motor plate to frame
	90554	Hose Clamp	1 required; Air trap
	F200213	Hose Clamp	2 required for overflow hose for models through 3/23/04; 4 required for overflow hose for models starting 3/23/04
	C002623P	Motor Cable	
	C002613	Drain Harness	
	C003295	Drain T	Models CP100PHN2, CP100PHQ2, IP100PHN2 and JP100PHN2; Models starting 3/6/13; Replaces use of C001649 Reducing Connector
	C003320P	Pulley Alignment Tool	
1	C002637P	Proximity Switch Assembly	Models starting 3/23/04
2	C000599	Vacuum Breaker Hose	
3	C001232	Air Trap Tube	Stainless steel; Models through 3/23/04
	C000662	Air Trap Tube	Brass; Models starting 3/23/04
4	C000654	Air Trap Tube Elbow	Rubber
5	C000482	Belt	
6	C000472P	Motor Pulley	
7	C000206P	Motor	
8	C000330	Motor Bracket	
9	N/A	Belt Tension Spring	Models through 3/23/04
	C001791	Belt Tension Spring	Models starting 3/23/04
10	C000474P	Motor Bushing	
11	C000412	Water Reuse Hose	Models through 3/12/07
12	C000411	Drain Hose	
13	C003353	Drain Valve	
14	F200165100	Drain Hose	No. 56
15	F200201	Hose Clamp	2 required for drain hose; 2 required for dispenser hose
16	C001649	Reducing Connector	
17	C000415	Overflow Hose	
18	C000552	Hose	
19	C000471	Cylinder Pulley	
20	C000223P	Cylinder Bushing	

N/A = Part no longer available

Main Assembly (Drawing 5 of 6)

Models CP080PMN1, CP080PMN2, CP080PMQ1, CP100PMN1, CP100PMN2, CP100PMQ1, CPC80M, CPC100M, IP080PMN1, IP080PMN2, IP080PMQ1, IP080PMQ2, IP100PMN1, IP100PMN2, IP100PMQ1, IPH80M, IPH100M, IPH370, IPH460 and JP100PMQ1



PHM2751P_C002634

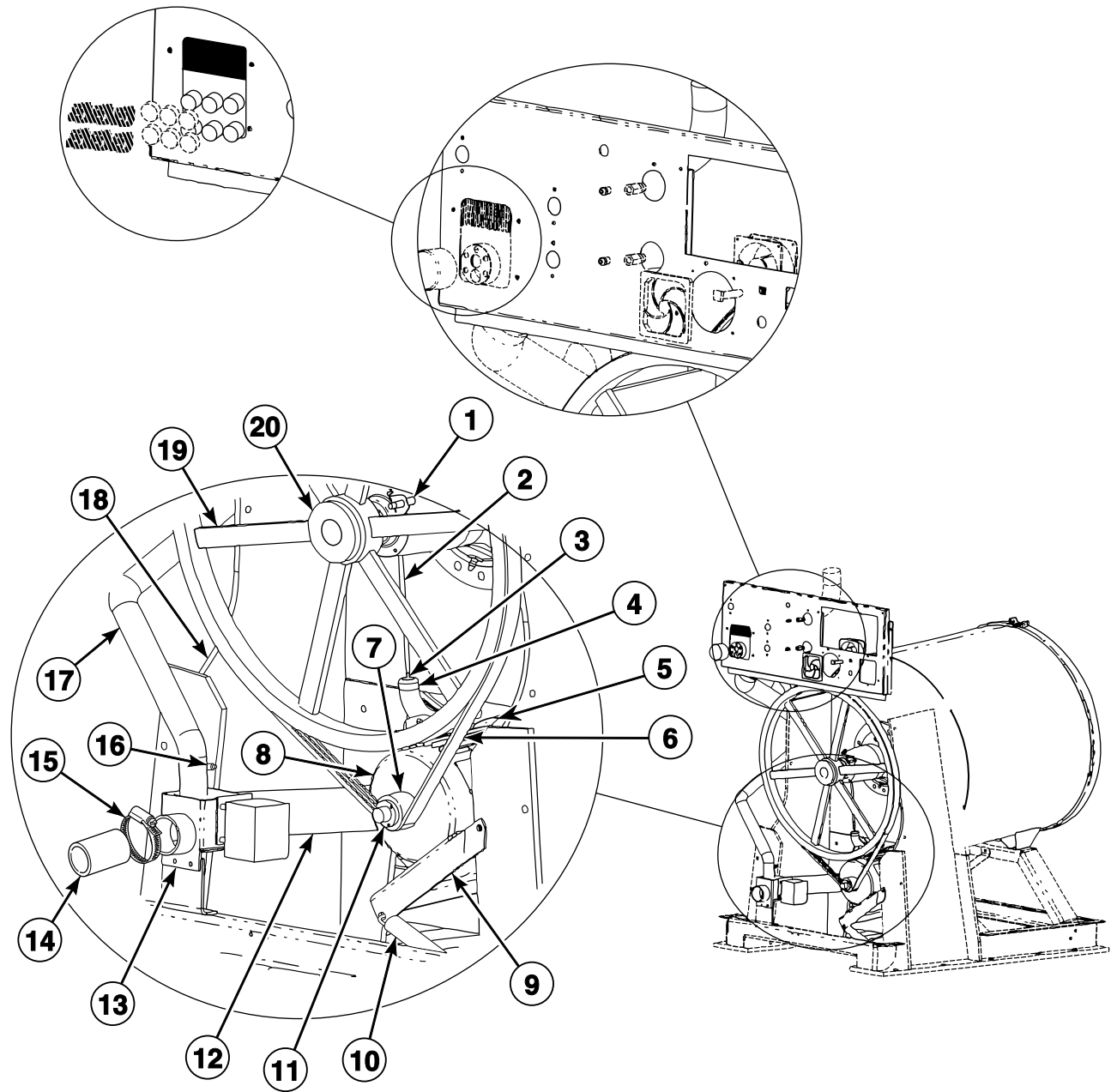
Main Assembly (Drawing 5 of 6)

REF	PART NO.	DESCRIPTION	COMMENTS
	225/10004/00	Thermostat Grommet	
	C000567	Screw	4 required; Vacuum breaker to valve panel
	F431024	Nut	4 required for vacuum breaker to valve panel for models through 3/23/04
	N/A	Nut	4 required; Vacuum breaker to valve panel; Models starting 3/23/04
	F430938	Screw	4 required; Fan to valve panel
	C000568	Nut	4 required; Fan to valve panel
	F200201	Hose Clamp	2 required for dispenser hose
	C000552	Hose	Flush hose for vacuum breaker; 29 inches required; Models with 5 cup supply dispenser; Models CP080PMN1, CP080PMQ1, CPC80M, IP080PMN1, IP080PMQ1, IPH80M and IPH370 single cup supply dispenser
	C000628P	Tubing	Flush hose for vacuum breaker; 29 inches required; Models CP100PMN1, CP100PMQ1, CPC100M, IP100PMN1, IP100PMQ1, IPH100M and IPH460 single cup supply dispenser
	C003321P	Pulley Alignment Tool	
1	C001772	Vacuum Breaker Cover	
2	C002872	Vacuum Breaker Assembly	
3	N/A	Grease Fitting	Models through 3/23/04
	C000549	Grease Fitting	Models starting 3/23/04
4	N/A	Grease Coupling	Models through 3/23/04
	C001789	Connector	Models starting 3/23/04
5	C000210	Fan Filter Guard Assembly	
6	C000211	Fan	
7	C000317	Circuit Breaker	1 pole
8	C000379	Supply Dispenser Hose	
9	C002636	Temperature Probe Assembly	
10	C000298	Lower Shell Support Bracket	
11	C002058	Shell Support Brace	Models CP080PMN1, CP080PMQ1, CPC80M, IP080PMN1, IP080PMQ1, IPH80M and IPH370
	C002053	Shell Support Brace	All other models
12	C000803	Frame Assembly	Models CP080PMN1, CP080PMQ1, CPC80M, IP080PMN1, IP080PMQ1, IPH80M and IPH370
	C000802	Frame Assembly	All other models
13	C000962	Drain Assembly	
14	C000416	Water Inlet Hose	
15	C000679	Vacuum Breaker Plug	.5 inch; Use with old style vacuum breaker; Models through 3/23/04
16	C000680	Adapter	.5 inch; Use with old style vacuum breaker; Models through 3/23/04

N/A = Part no longer available

Main Assembly (Drawing 6 of 6)

Models CP080PMN1, CP080PMN2, CP080PMQ1, CP100PMN1, CP100PMN2, CP100PMQ1, CPC80M, CPC100M, IP080PMN1, IP080PMN2, IP080PMQ1, IP080PMQ2, IP100PMN1, IP100PMN2, IP100PMQ1, IPH80M, IPH100M, IPH370, IPH460 and JP100PMQ1



PHM3221P_C002634

Main Assembly (Drawing 6 of 6)

REF	PART NO.	DESCRIPTION	COMMENTS
	C001768	Weep Hole Drain Kit	
	F431024	Nut	2 required for drain valve to drain valve mounting bracket
	F430935	Screw	2 required; Drain valve to drain mounting bracket
	C000585	Washer	2 required; Drain valve to drain mounting bracket
	C000571	Washer	4 required; Drain valve to drain valve mounting bracket; Models starting 3/23/04
	F430144	Screw	4 required; Motor to motor plate
	C000556	Washer	8 required; Motor to motor plate
	803017	Nut	4 required; Motor to motor plate
	F430124	Screw	1 required; Motor plate to frame
	C000612	Screw	1 required for models through 3/23/04; 2 required for models starting 3/23/04; Motor plate to frame
	C000177	Washer	1 required for models through 3/23/04; As required for models starting 3/23/04; Motor plate to frame
	C000583	Washer	2 required for models through 3/23/04; 3 required for models starting 3/23/04; Motor plate to frame
	90554	Hose Clamp	1 required; Air trap
	F200213	Hose Clamp	2 required for overflow hose for models through 3/23/04; 4 required for overflow hose for models starting 3/23/04
	C000994	Spring Clip	
	C003295	Drain T	Models CP080PMN2, CP100PMN2, IP080PMN2, IP080PMQ2 and IP100PMN2; Models starting 3/6/13; Replaces use of C001649 Reducing Connector
	C002423	Motor Cable	
	C002614P	Drain Harness	
	C002617P	Single Fan Harness	
	C003321P	Pulley Alignment Tool	
1	C002637P	Proximity Switch Assembly	Models starting 3/23/04
2	C000599	Vacuum Breaker Hose	
3	C000662	Air Trap Tube	Brass
4	C000654	Air Trap Tube Elbow	Rubber
5	C000967	Motor Shroud	Models through 3/23/04
	C001589	Motor Shroud Assembly	Models starting 3/23/04
6	N/A	Belt	Models through 3/23/04
	C001708	Belt	Models starting 3/23/04
7	C000795P	Motor Pulley	
8	C000205	Motor	
9	C000330	Motor Bracket	
10	N/A	Belt Tension Spring	Models through 3/23/04
	C001791	Belt Tension Spring	Models starting 3/23/04
11	F280233P	Bushing	
12	C000411	Drain Hose	
13	C003353	Drain Valve	
14	F200165100	Drain Hose	No. 56
15	F200201	Hose Clamp	2 required for drain hose; 2 required for dispenser hose
16	C001649	Reducing Connector	
17	C000415	Overflow Hose	
18	C000552	Hose	
19	C000685	Cylinder Pulley	
20	C000223P	Cylinder Bushing	

N/A = Part no longer available